

York

040181

EQUIPMENT



2 people



Measure



Drill



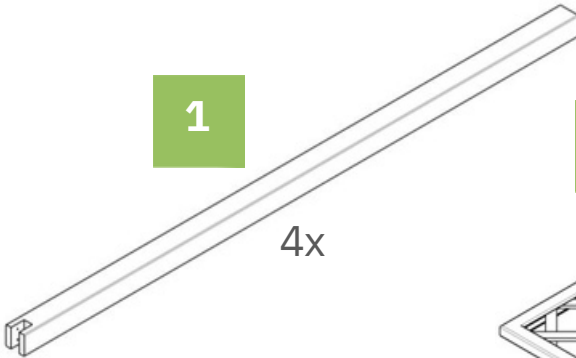
Level



Angle
bracket

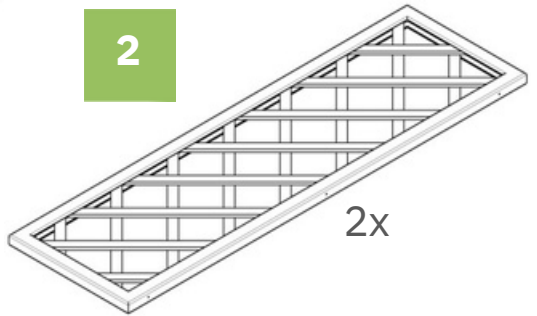
PARTS

1



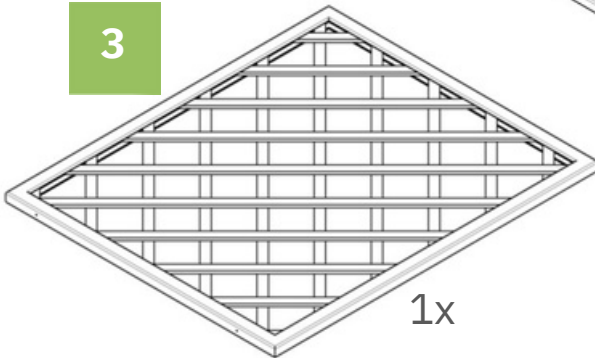
4x

2



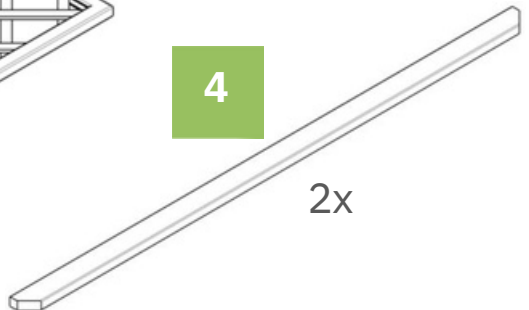
2x

3



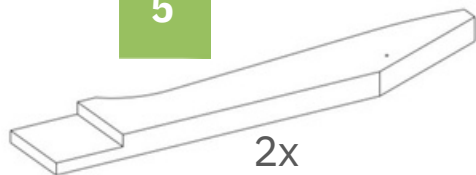
1x

4



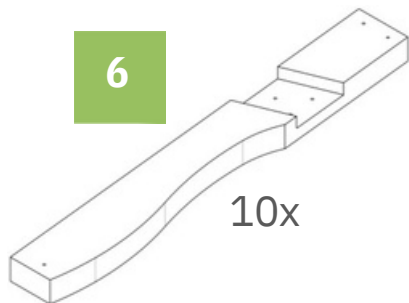
2x

5



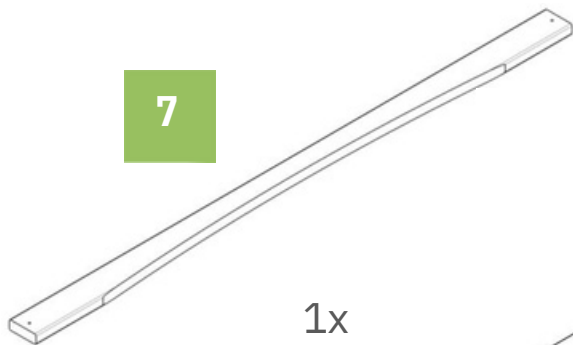
2x

6



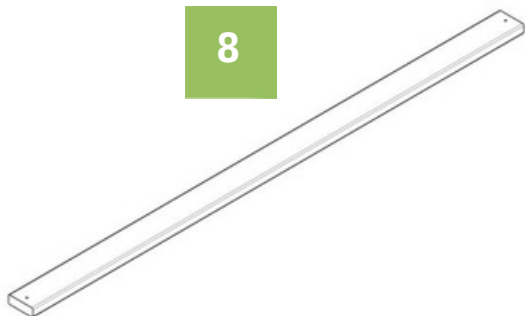
10x

7

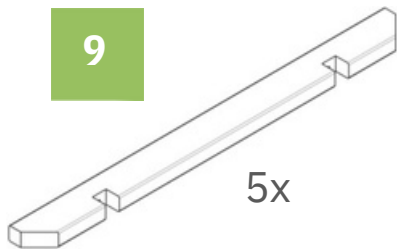


1x

8

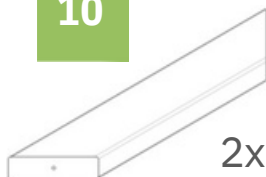


9



5x

10



2x

FITTINGS

A

1x



SCREW BIT: PZ2

B10x



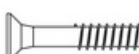
4x20 mm

C6x



4x25 mm

D25x



4x40 mm

E44x



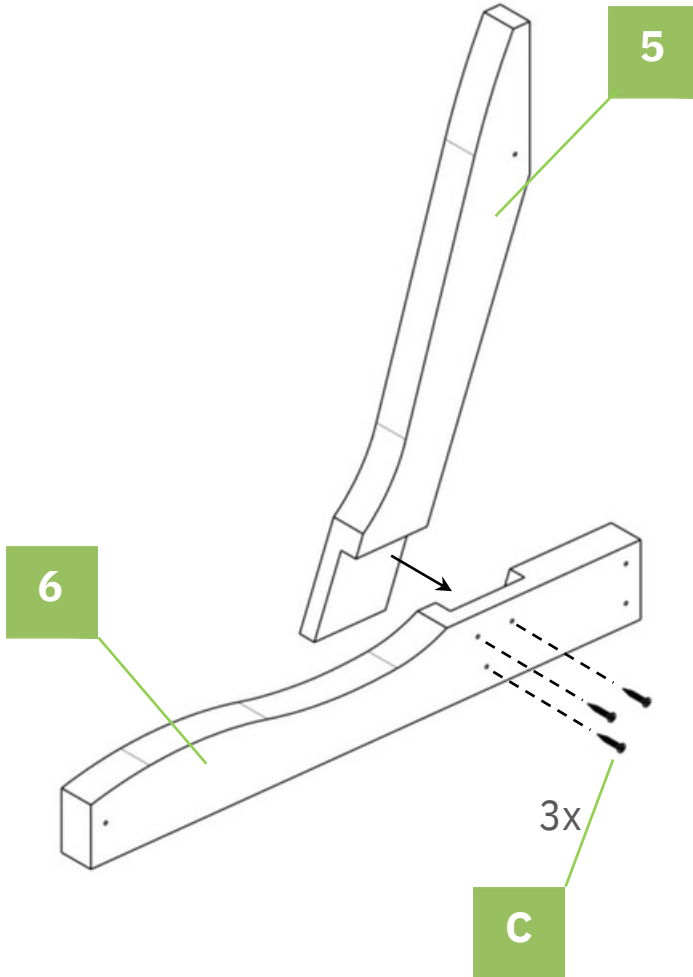
4x60 mm

F4x



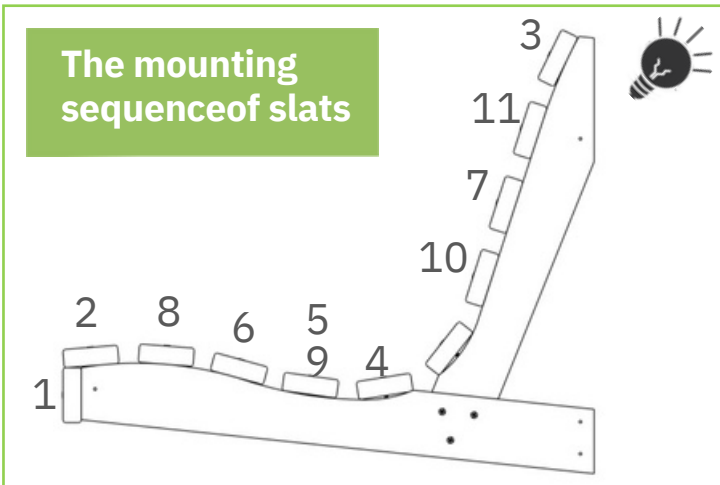
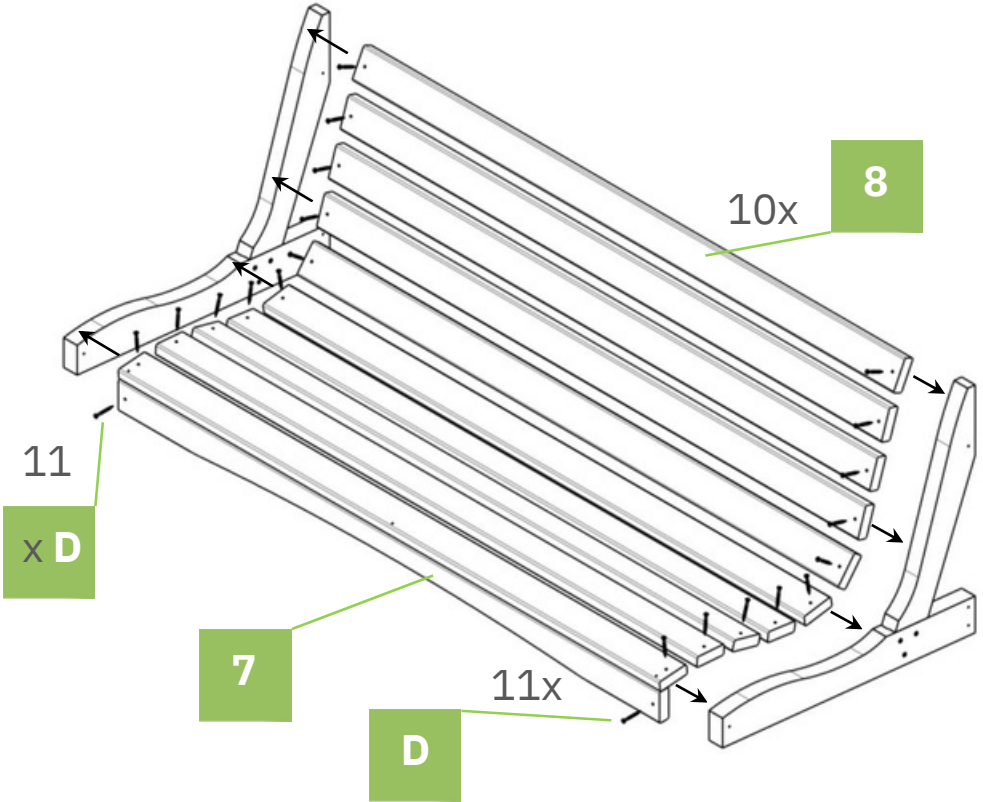
4x70 mm

Step 1

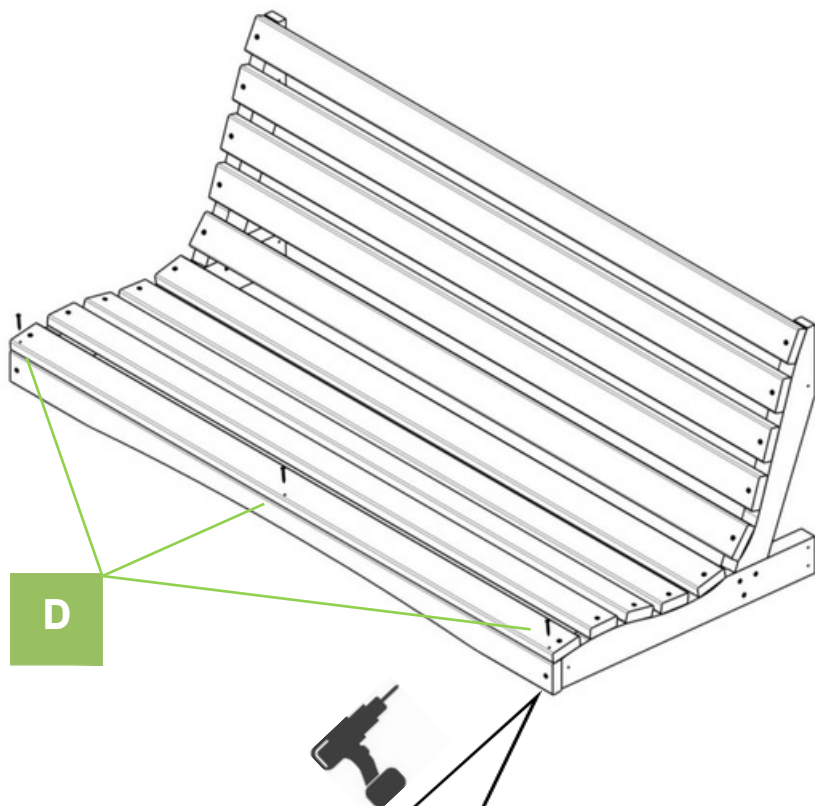


Assemble 2 such segments

Step 2

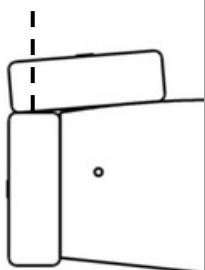


Step 3

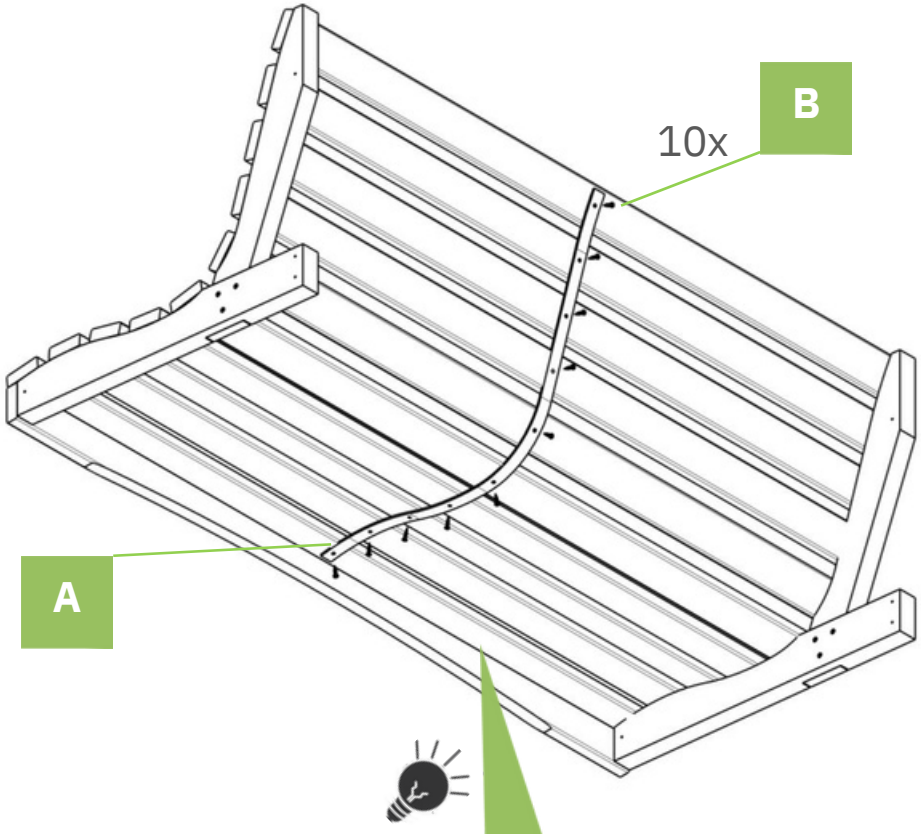


Pre-drillholes for screws in the 2nd slat.

Drillbit: **Ø4**



Step 4

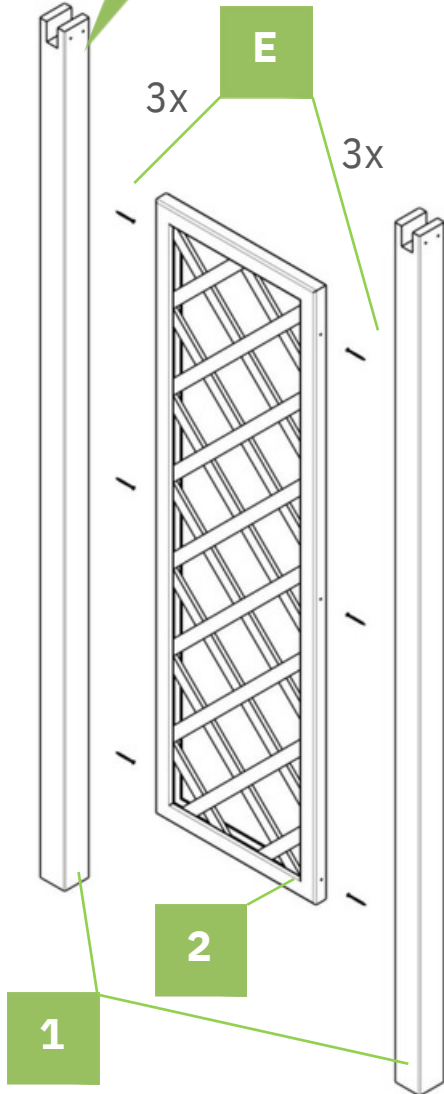


Start mounting the steel flat bar from the 2nd slat from the bottom (see step2 – slat no. 2). Adjust it to the profile of the bench by bending it.

Step 5



Pay attention to the positioning of the posts notches

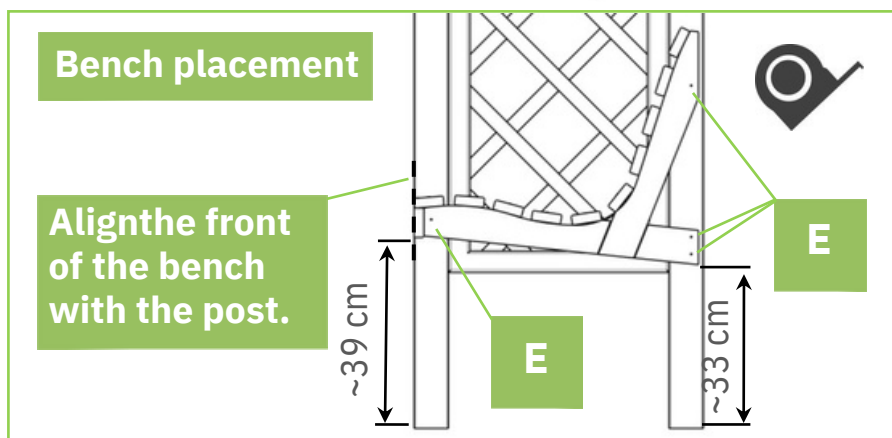
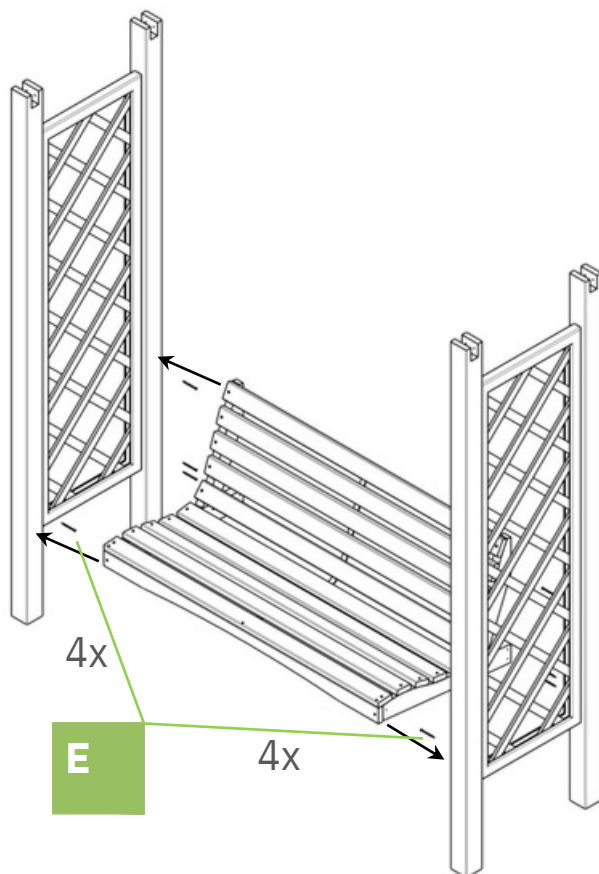


Assemble 2 such segments

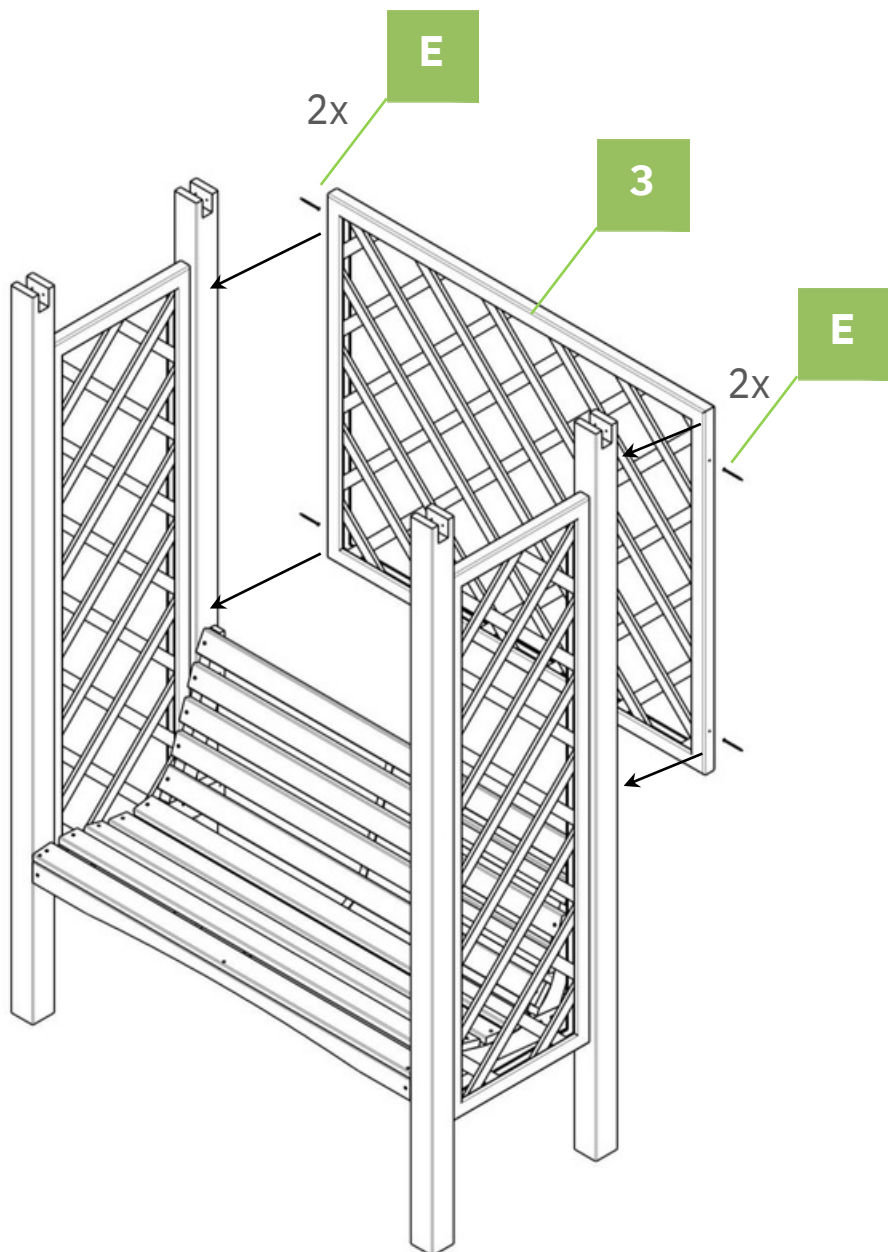
Mount the trellis in the middle of the post



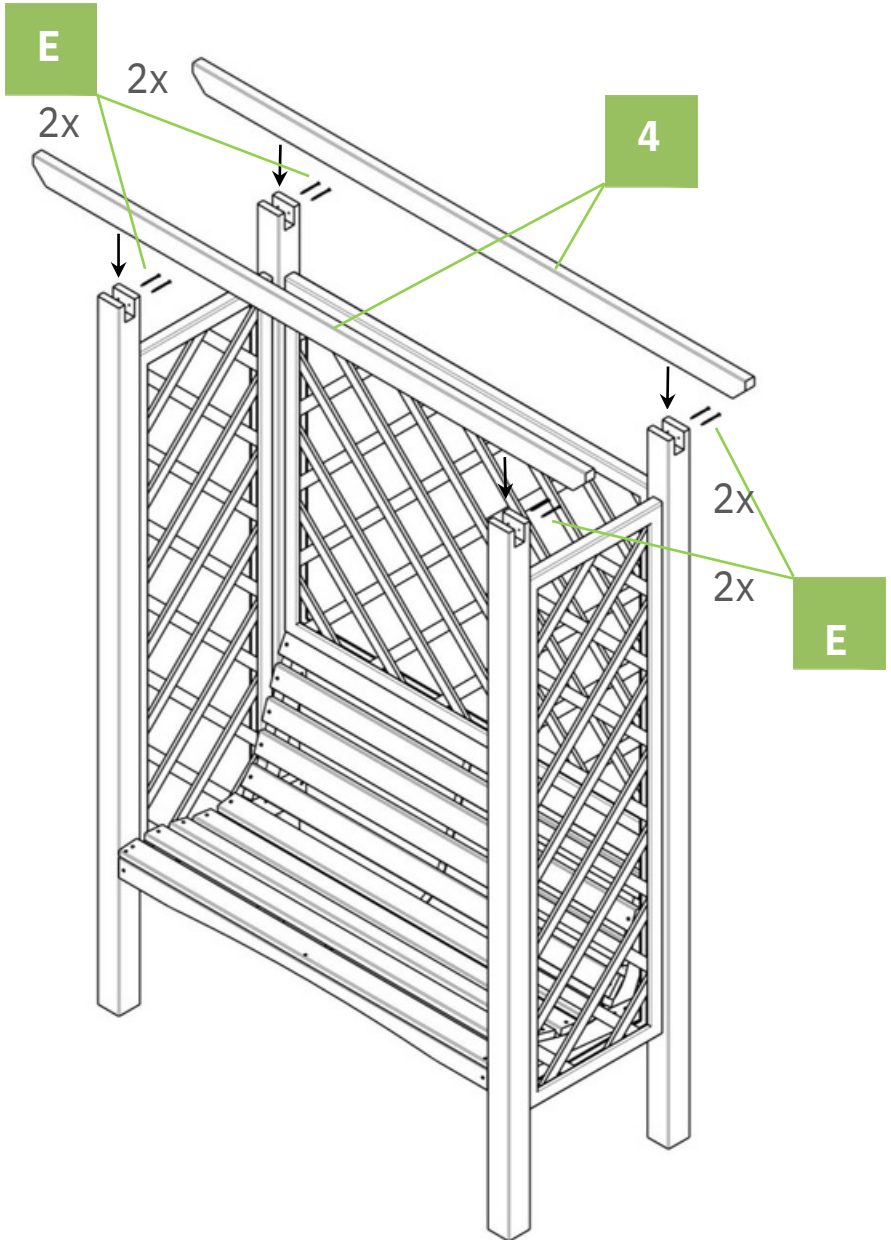
Step 6



Step 7



Step 8



Step 9

