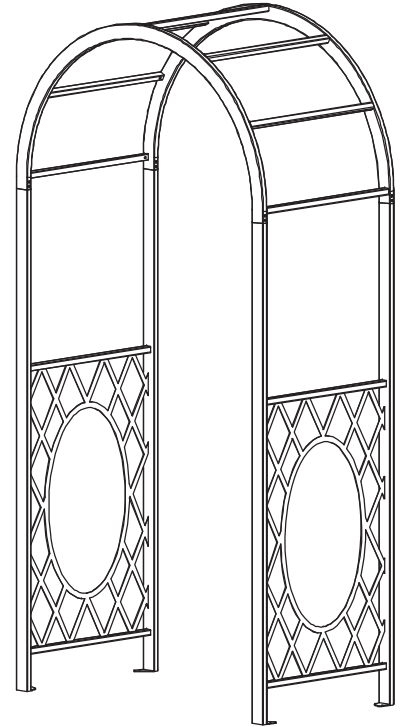
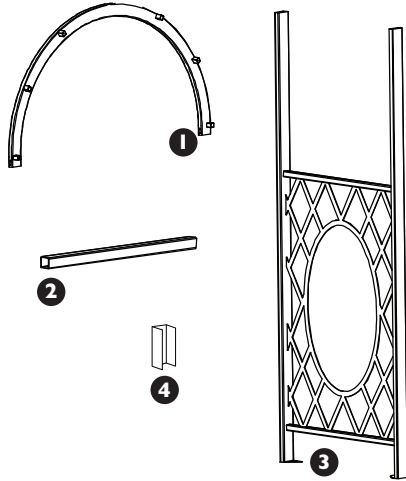


Before assembly

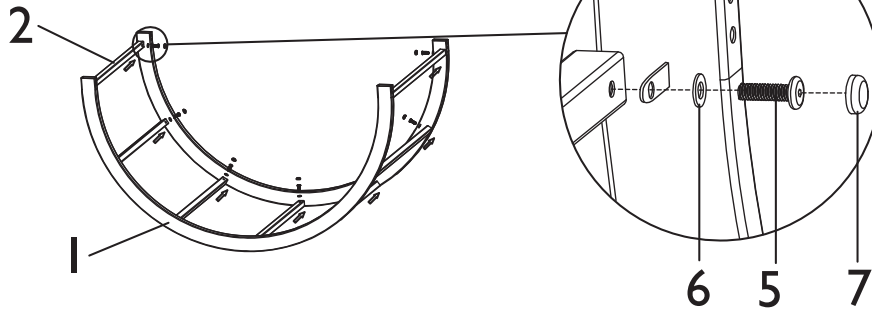
- We recommend that time is taken to read the instructions before starting assembly, then follow the easy step by step guide. The instruction sheet is only a guide to the assembly. Certain items may not be shown to scale.
- Check all components prior to assembly
- This product should be assembled by no less than two people.
- Never attempt to erect the assembly in high winds.



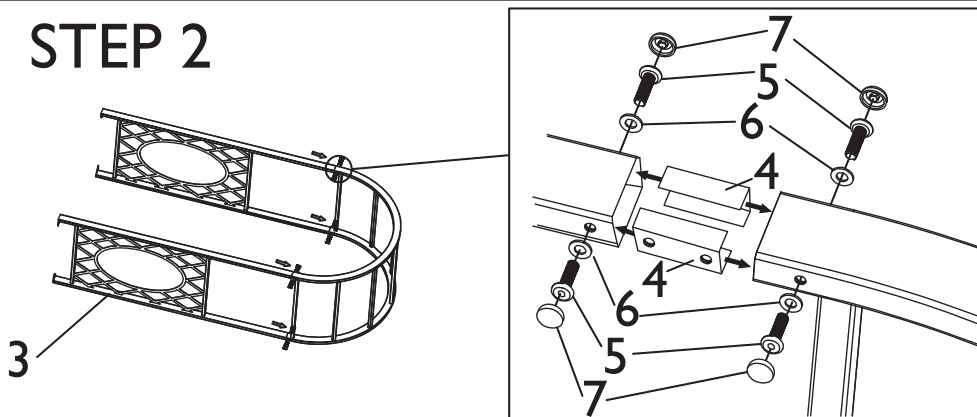
No.	Components	Qty.
1	Arch top	2
2	Arch slats	7
3	Uprights	2
4	Bracket	8
5	15mm bolts	30
6	Washers	30
7	Plastic caps	30
8	Allen key	1
9	Foot pin rod	4



STEP 1



STEP 2



If in doubt of any aspect regarding the assembly, use or safety of your arch please contact us :

Help Line (Normal Office Hours) 01829 261121

ROWLINSON GARDEN PRODUCTS LIMITED
Green Lane
Wardle Nr.Nantwich
Cheshire
CW5 6BN

We constantly improve the quality of our products, occasionally the components may differ from the components shown and are only correct at time of printing. We reserve the right to change the specification of our products without prior notice.

2008 © Rowlinson Garden Products Ltd