

610009 and 610010


WOODSHAW
 CRAFTED FOR YOUR OUTDOOR SPACE

610009 and 610010

THORNTON RUSTIC 4ft & 5ft BENCH ASSEMBLY INSTRUCTIONS

Contents

Fixings

- (1) 4 x M8 x 80mm Coach Bolts
- (2) 4 x M8 x Nuts and Washers
- (3) 6 x 70mm Woodscrews
- (4) 7 x 60mm Woodscrews

Components

- (A) 2 x Arm Assemblys L/H & R/H
- (B) 1 x Seat Assembly
- (C) 1 x Back Assembly
- (D) 2 x Corner Supports
- (E) 1 x Front Rail

Tools Required

- 13mm Socket or Box Spanner
- Pozi Drive Screwdriver

Care and Maintenance

Your new garden furniture is a natural timber product. In order that you may prolong the life of this product, we recommend that you follow the general care and maintenance advice below.

The timber used in some of our product range is pressure treated in accordance with BS 8417:2011 to provide protection against biodeterioration in end use situations. It is possible that under some environmental conditions that a surface mould may develop - should this happen, clean off with mild soapy water.

All fixings should be checked for tightness and signs of deterioration at the beginning of each season on a regular basis.

We recommend that this product is positioned on firm, level ground. If necessary, the product can be firmly fixed to the ground by using a proprietary ground anchor.

Product should be checked regularly, and re-coated with a suitable topcoat finish when required. If accidental damage occurs, lightly sand and re-coat with a suitable water based wood preservative. Product can be cleaned periodically with a mild soapy detergent. This is a natural product and therefore colour may vary slightly from piece to piece.

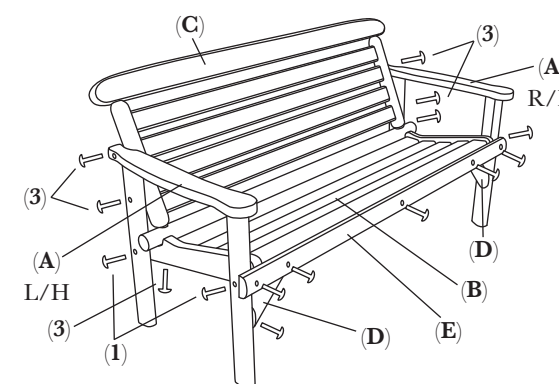
As a natural product, it is possible that knots can work loose and sometimes fall out. Resin leakage and small cracks may also appear on the wood's surface. Should this happen, clean the product of resin, ensure any sharp edges are sanded smooth and re-coat.

Products should be given suitable protection from adverse weather conditions, particularly during the winter months.

Please retain these instructions for future reference and use.


Before you start:

- It will take two people to assemble this product
- Check to make sure you have all of the parts listed above.
- Assemble in a clear, level area.
- Only tighten fully when all components are aligned in place
- Always site on firm, level ground


Diagram 1

- Fit L/H and R/H arm assembly (A) to seat assembly (B) using 4 x fixings (1) and (2).
- Fit the back assembly (C) to arm assemblys (A) using 4 x fixings (3).
- From underside of seat (B) fix the round bottom rail of seat back (C) using 2 x fixings (3).
- Fit seat front rail (E) and corner supports (D) using 7 x fixings (4).


WOODSHAW
 CRAFTED FOR YOUR OUTDOOR SPACE