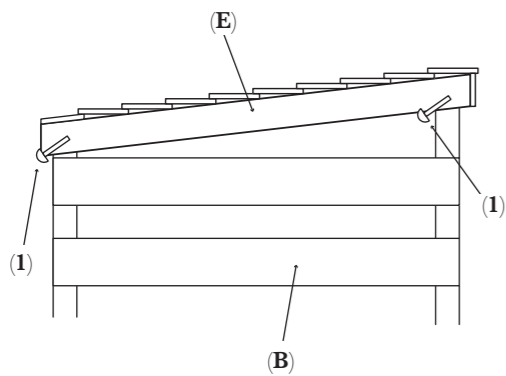
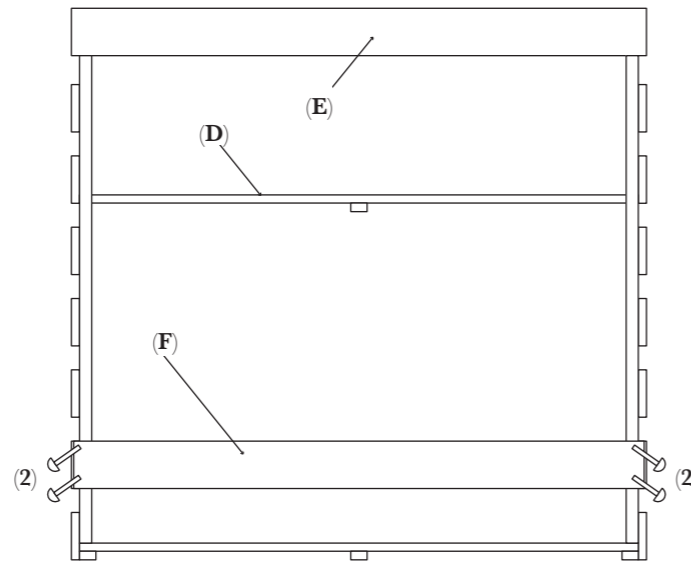


680001

**Diagram 3**

- Fix roof (E) to the top of sides (B) and (C) using 4 x fixings (1).

**Diagram 4**

- Fix back slats (F) aligned with side slats using 28 x fixings (2).

Care and Maintenance

Your new garden furniture is a natural timber product. In order that you may prolong the life of this product, we recommend that you follow the general care and maintenance advice below.

The timber used in some of our product range is pressure treated in accordance with BS 8417:2011 to provide protection against biodeterioration in end use situations. It is possible that under some environmental conditions that a surface mould may develop - should this happen, clean off with mild soapy water.

All fixings should be checked for tightness and signs of deterioration at the beginning of each season on a regular basis.

We recommend that this product is positioned on firm, level ground. If necessary, the product can be firmly fixed to the ground by using a proprietary ground anchor.

Product should be checked regularly, and re-coated with a suitable topcoat finish when required. If accidental damage occurs, lightly sand and re-coat with a suitable water based wood preservative. Product can be cleaned periodically with a mild soapy detergent. This is a natural product and therefore colour may vary slightly from piece to piece.

As a natural product, it is possible that knots can work loose and sometimes fall out. Resin leakage and small cracks may also appear on the wood's surface. Should this happen, clean the product of resin, ensure any sharp edges are sanded smooth and re-coat.

Products should be given suitable protection from adverse weather conditions, particularly during the winter months.

Please retain these instructions for future reference and use.



WOODSHAW

CRAFTED FOR YOUR OUTDOOR SPACE

680001

LOG STORE ASSEMBLY INSTRUCTIONS

Contents

Fixings

- (1) 8 x 50mm Woodscrews
- (2) 32 x 35mm Woodscrews

Components

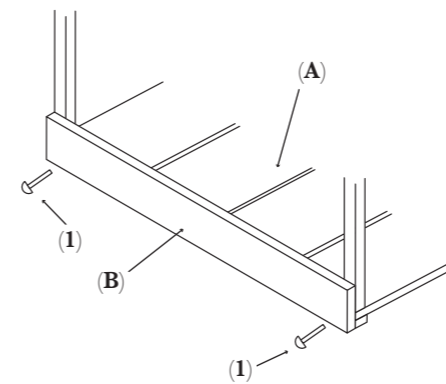
- (A) 1 x Floor
- (B) 1 x Right Hand Side
- (C) 1 x Left Hand Side
- (D) 1 x Shelf
- (E) 1 x Roof
- (F) 7 x Back Slats

Tools Required

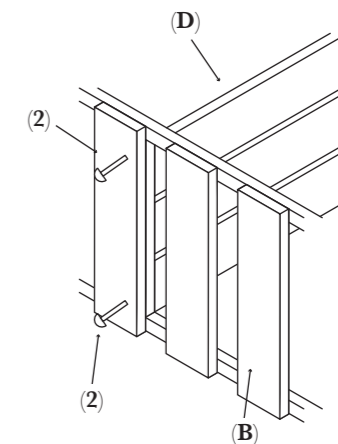
Pozi Drive Screwdriver

Before you start:

- It will take two people to assemble this product
- Check to make sure you have all of the parts listed above.
- Assemble in a clear, level area.
- Only tighten fully when all components are aligned in place
- Always site on firm, level ground
- It is advised to drill pilot holes using a 3mm drill bit for all holes in this product.

**Diagram 1**

- Fix floor (A) to right hand side (B) using 2 x fixings (1).
- Fix floor (A) to left hand side (C) using 2 x fixings (1).

**Diagram 2**

- Fix shelf (D) to the sides (B) and (C) at desired height using 4 x fixings (2).



WOODSHAW

CRAFTED FOR YOUR OUTDOOR SPACE

Helpline: 01302 761573 – Monday to Friday 9am - 5pm