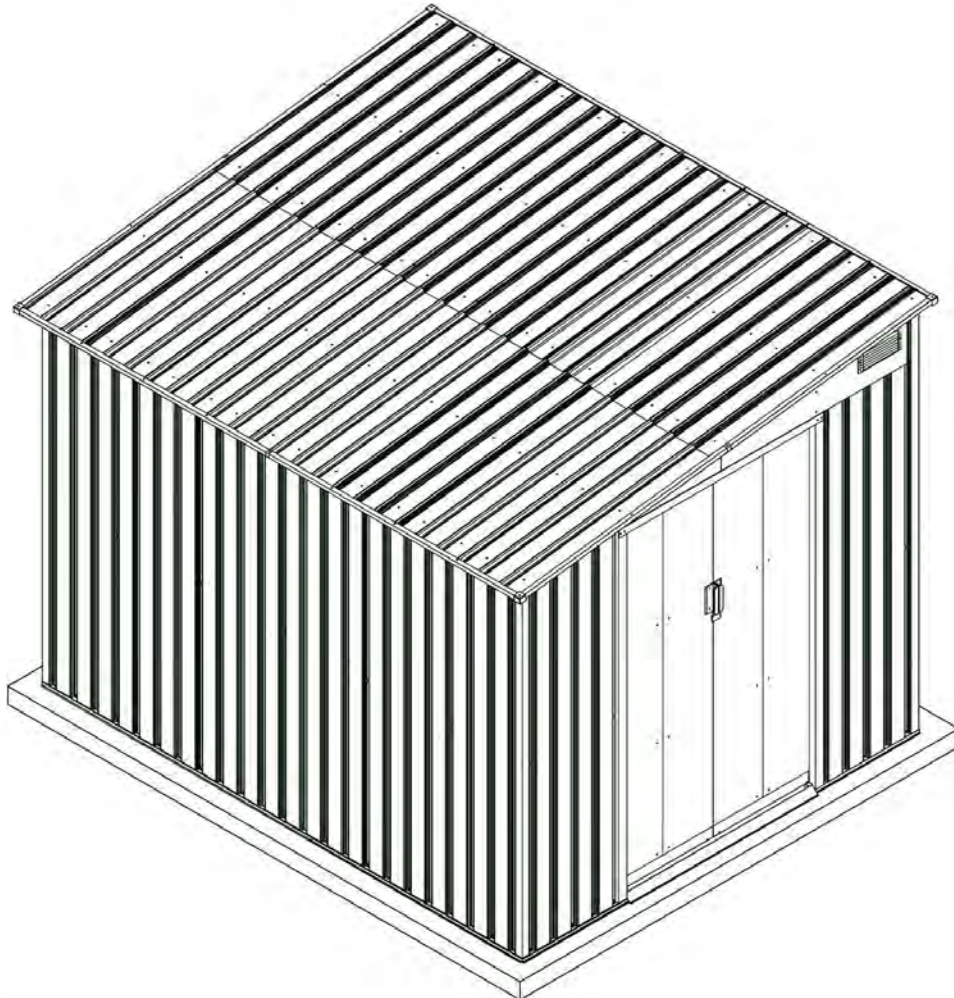


Assembly Instructions

Product size: 214x257x193cm (7.0x8.4 FT)



(Instructions for installing doors on the RIGHT)

IMPORTANT TO FOLLOW THESE ASSEMBLY INSTRUCTIONS

Important, please retain for future reference.

Read carefully.

Requires two people and takes 3-4 hours for Installation.

Assembly Preparation

Before you begin:

Please check local building codes regarding footings, location and other requirements before beginning construction.

Reviewing all instructions and the appropriate information before you begin, make sure following the step sequence carefully for successful results.

Safety & Precautions:

- Select a suitable level ground that is suitable for the size of your shed at your property.
- The owner must use Safety gloves provided when erecting your shed (2 pairs are provided with your shed)
- Your shed is supplied in multiple boxes for safe handling
- Your shed is DIY shed. Do not attempt to assemble the shed on a windy day.
- It is recommended to plan at least one whole day for the assembly of your shed by 2 persons.
- A suitable ladder will be required to assemble your shed - we recommend you take necessary precautions to avoid injury.
- Be cautious with the tools used for the assembly of the shed .Familiarize yourself with the operation of all the power tools.
- For floor covering, the owner can purchase flooring material locally. We have supplied the foundation kit with the shed which can be used as floor base. Instructions about how to assemble foundation kit and how to fix flooring to the foundation kit are included in the manual.

Location and Base:

A good location for the storage building is a square and level area with good drainage.

The base is not included in the kit which may need purchase separately or may construct a foundation and anchoring system of your own. The recommended base size about 10 cm larger than the bottom rail of the shed.

A strong plastic sheet (thickness: at least 150µm) should be placed under the foundation to assist in reducing rising dampness from the soil, thus reducing condensation build up in the shed.

Your storage building **must be anchored** to prevent wind damage. Once secured, it is highly recommended applying silicone along the inside of the base rail to minimize condensation.

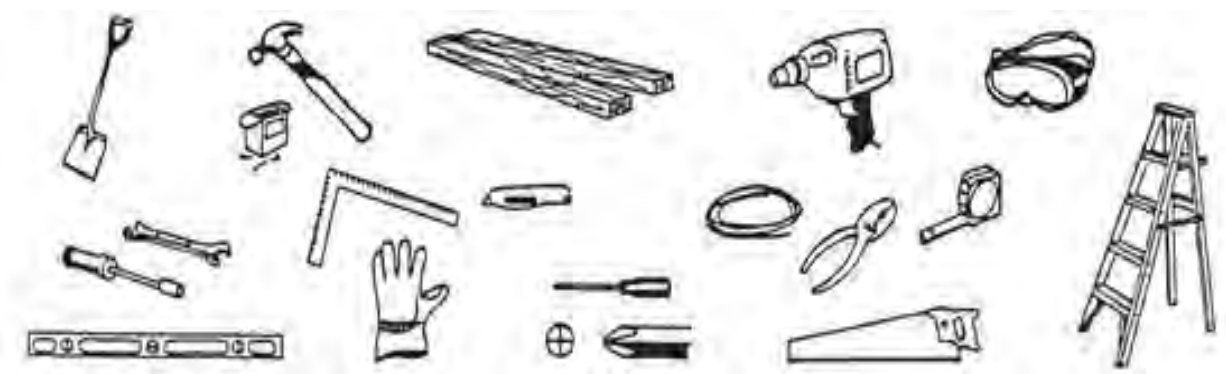
Parts and Parts List:

Before you start, separate and identify all the parts and hardware to be sure that you have all the necessary parts for your building (refer to the Parts List Page).

Do not attempt to assemble the building if parts are missing because any building left partially assembled may be seriously damaged by light winds.

Personal **Tools you will Need:**

(Please tear off the safety protection layer before the assembly, keep the part number label if needed)



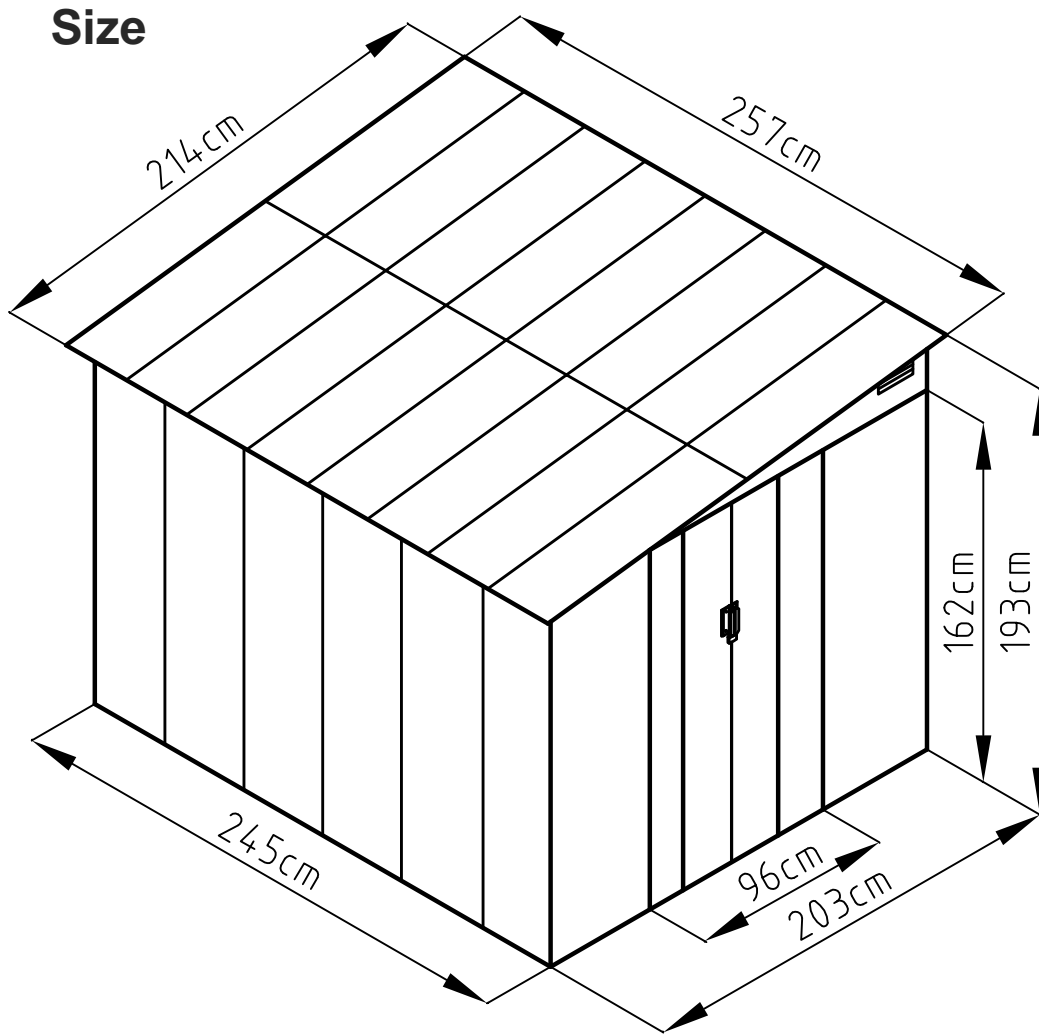
Safety must be put in the No. 1 position:

1. Select a dry and calm day for your assembly.
2. Team works (2 or more people) are required during the assembly. It is also recommended to finish the assembly in a day to avoid damage to the product or missing of some small parts.
3. Wearing safety gloves, eye protection and long sleeves during the assembly to prevent injury. Pay attention to the sharp edge of some parts.
4. Children and pets are not allowed entering into the construction site.
5. Never concentrate your total weight on the roof of the building.

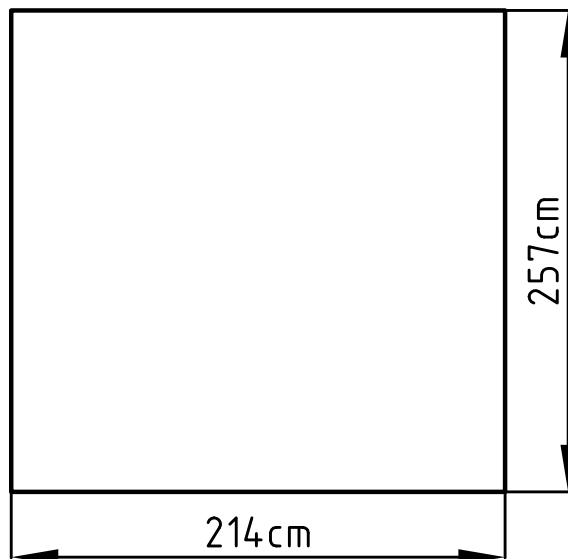
When using a step ladder make sure that it is safe.

Care & Maintenance:

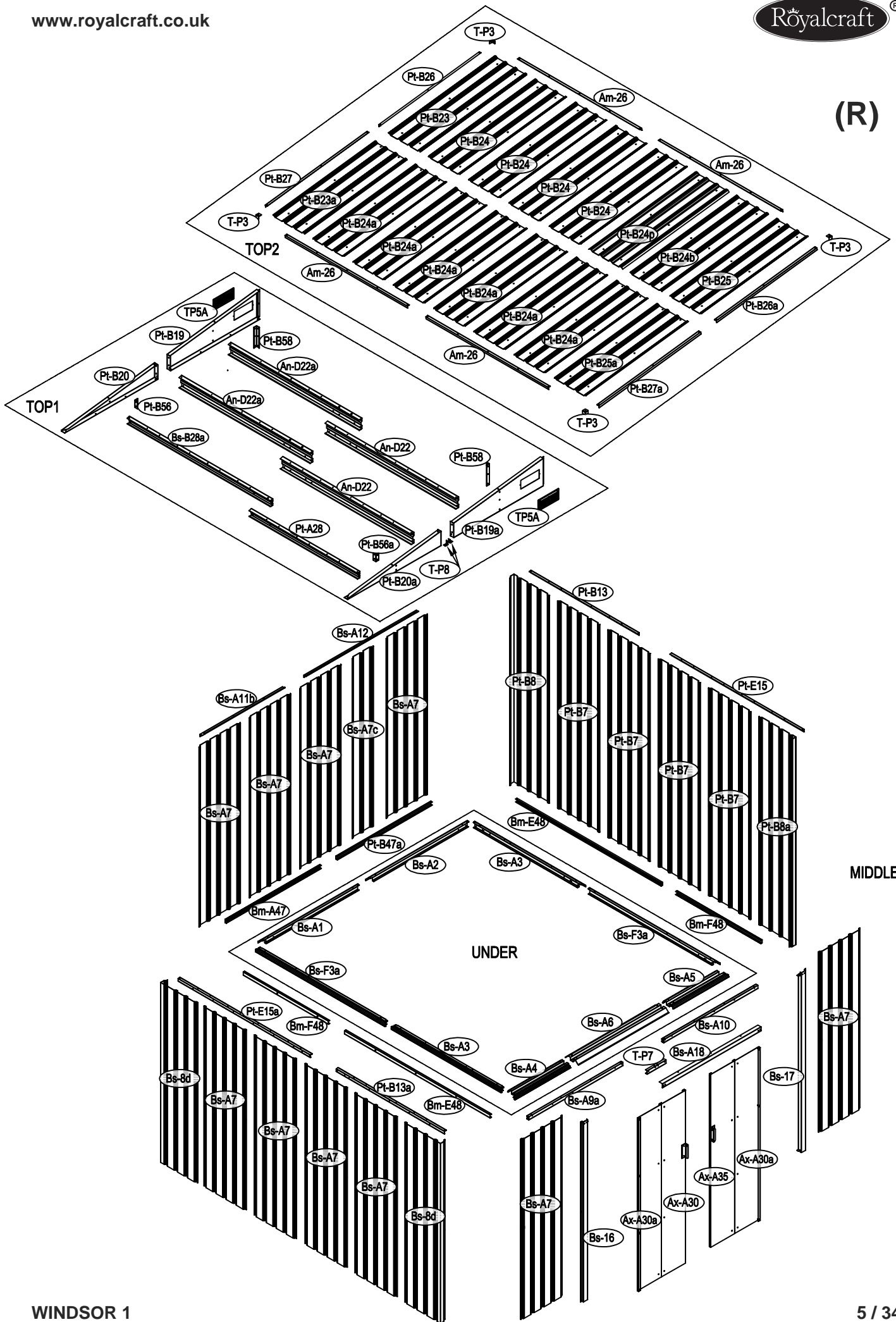
1. Keep the shed clean with soft cloth, use water if necessary.
2. Keep the door tracks clear of dirt and other stuff that prevent them from sliding easily.
3. Clean the snow with necessary tools to make sure it is safe to enter into.
4. The shed is not made for living but storing stuff.
5. Please add some oil on the top and bottom door sliding channel to make door slides smoothly.


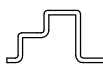











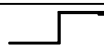




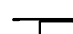








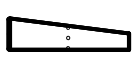

















Area of installation requirement:

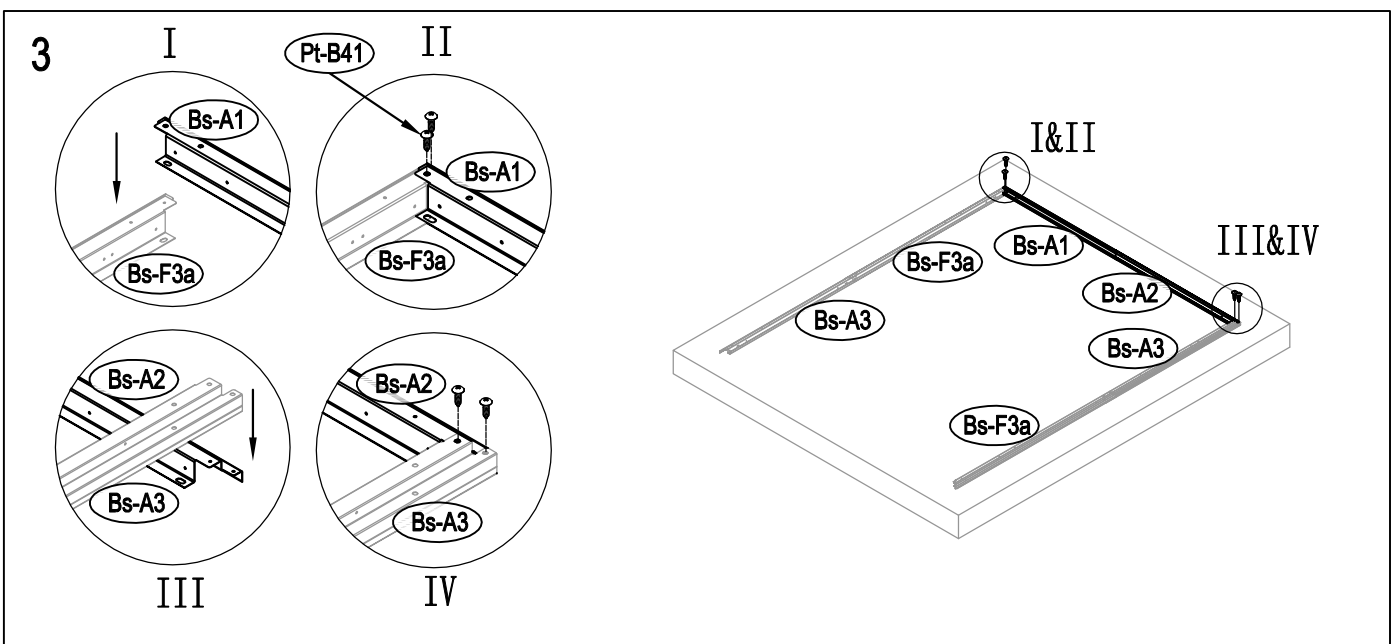
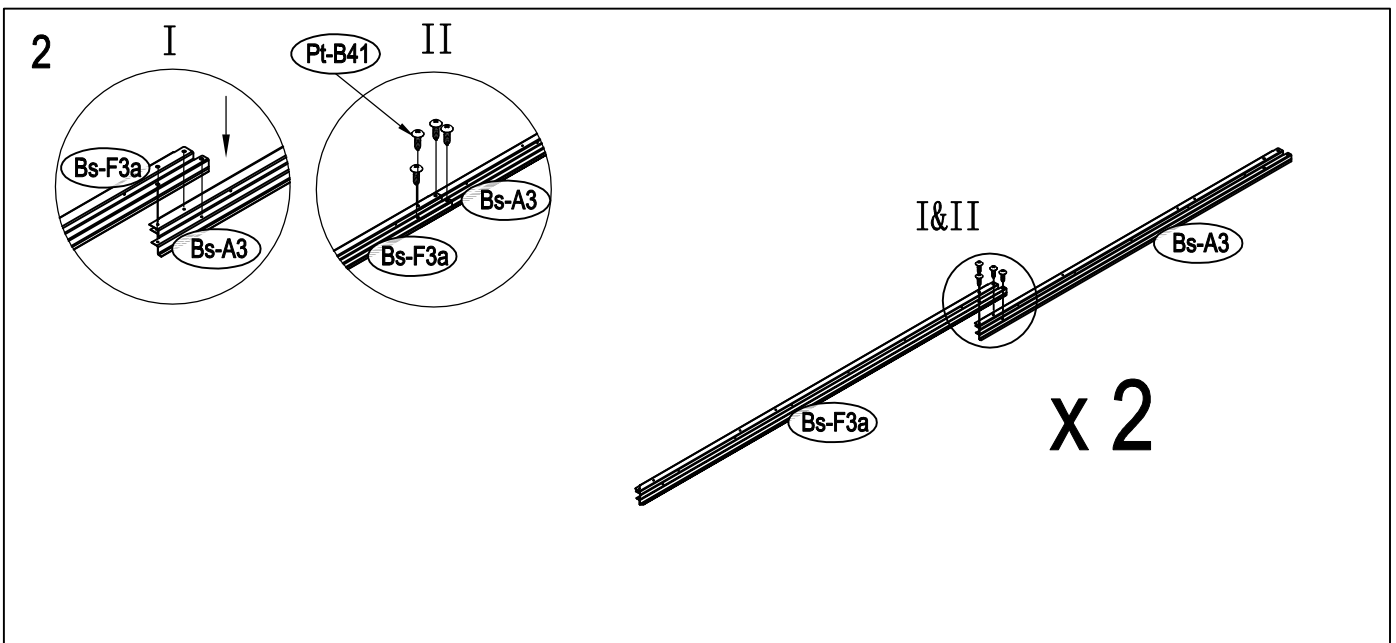
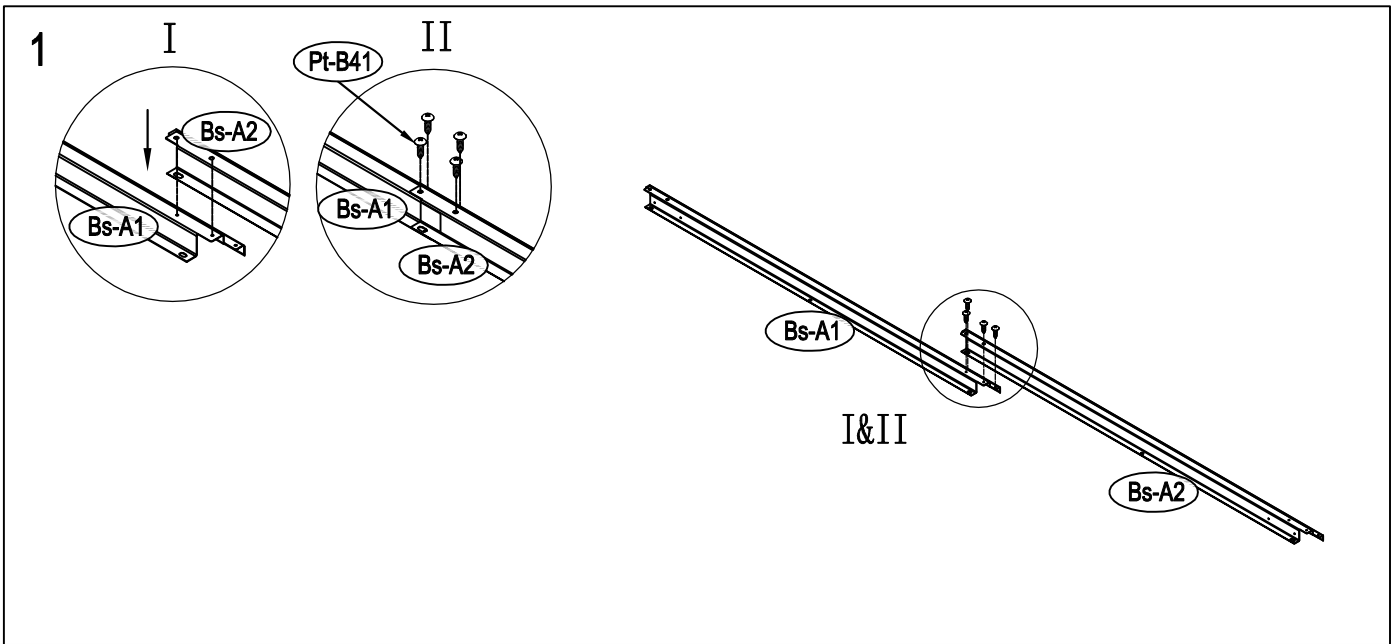


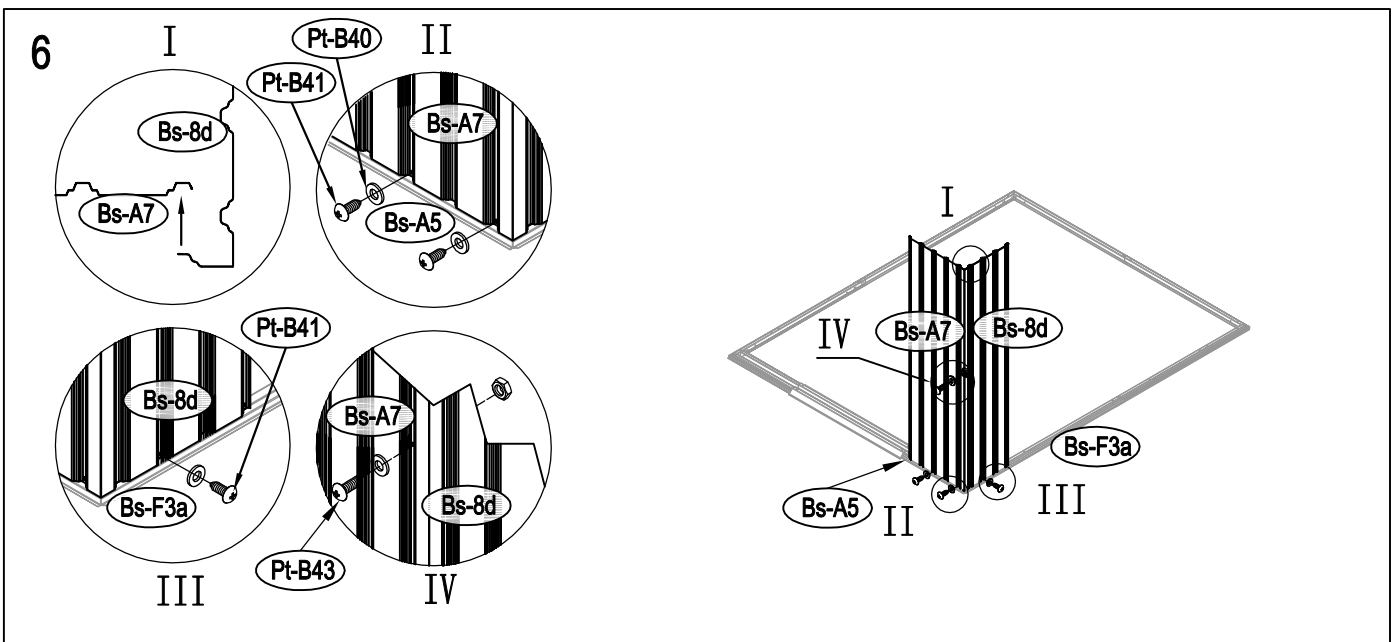
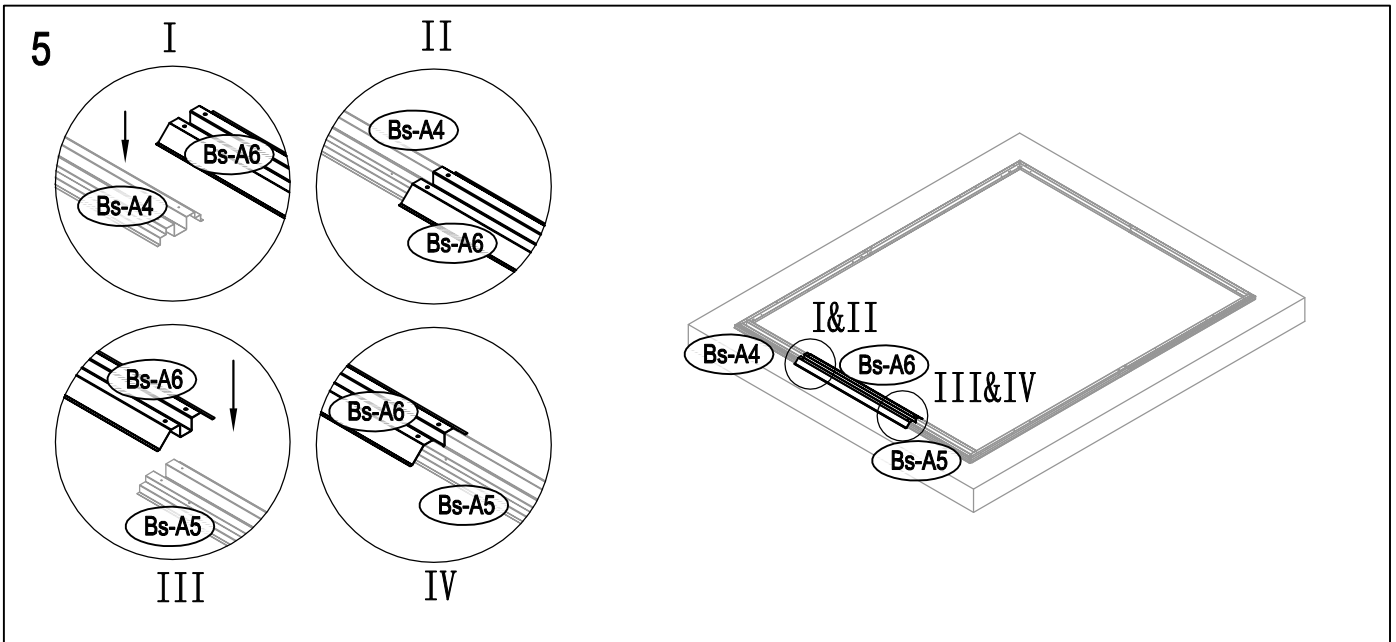
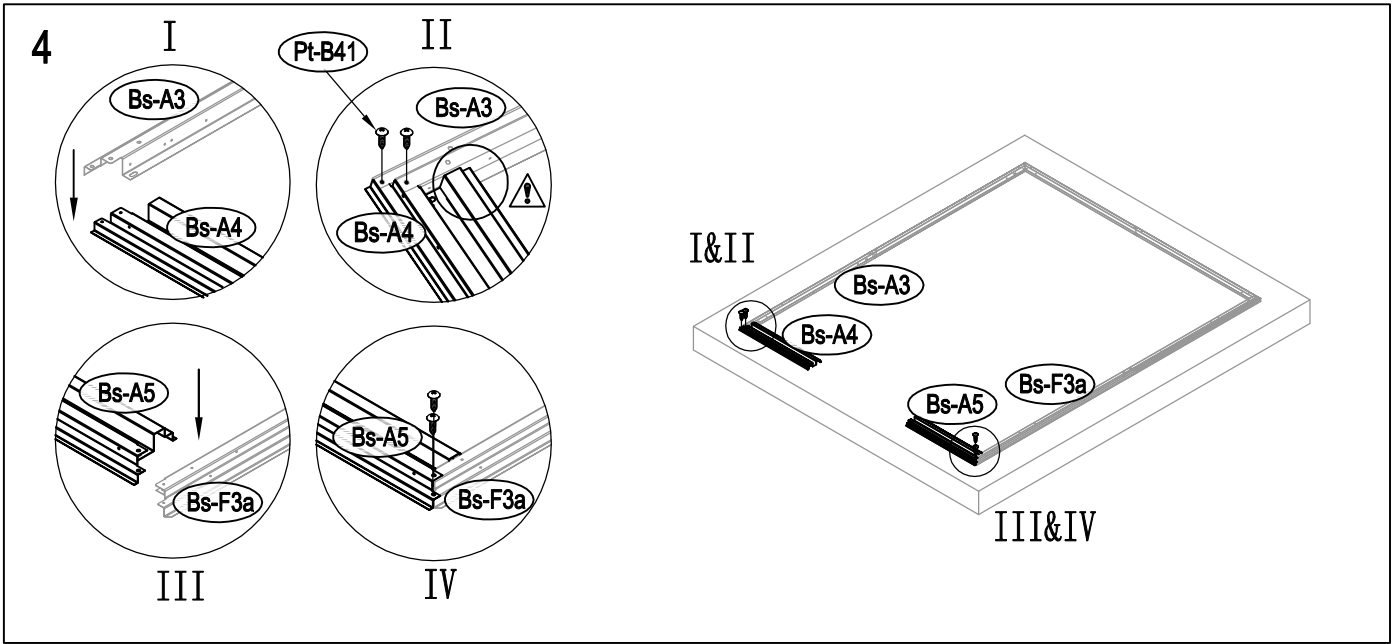
(R)

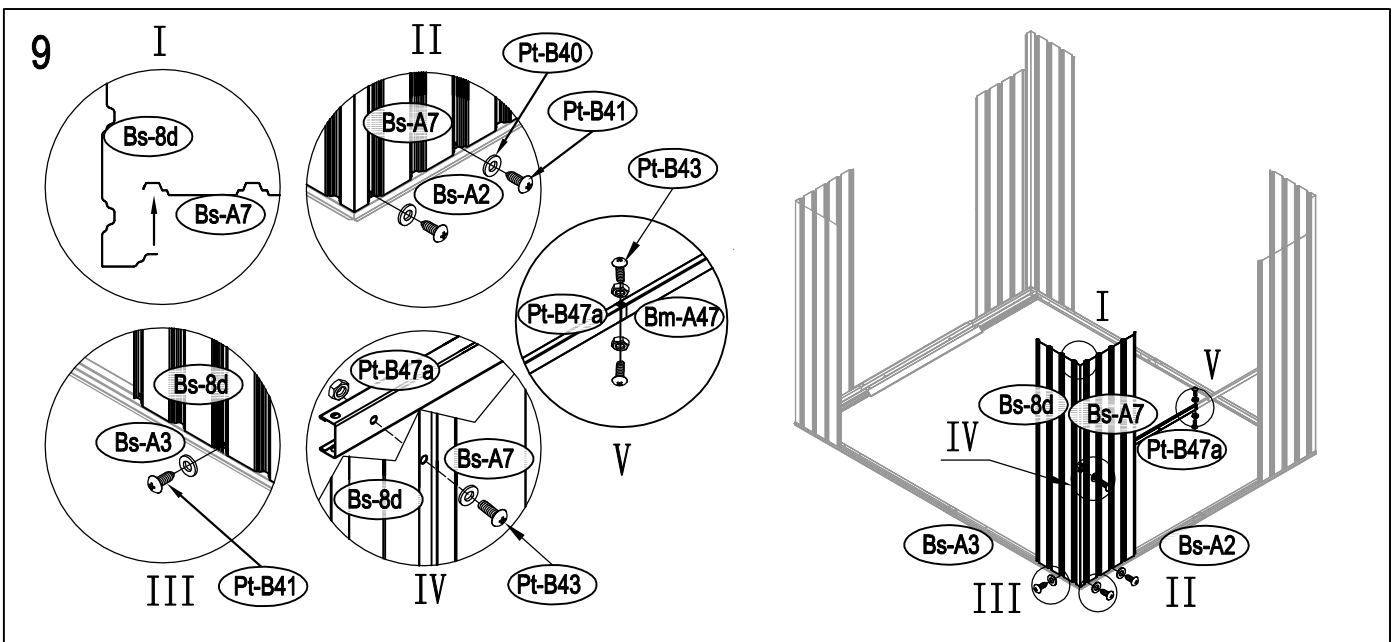
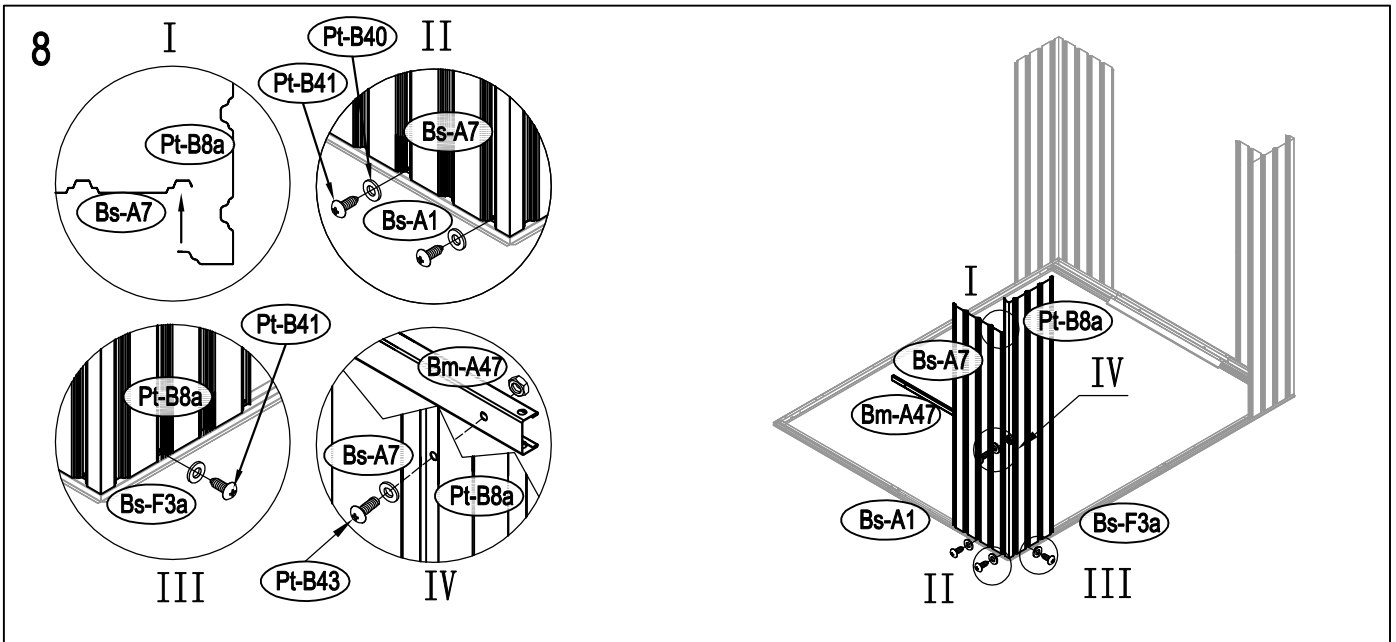
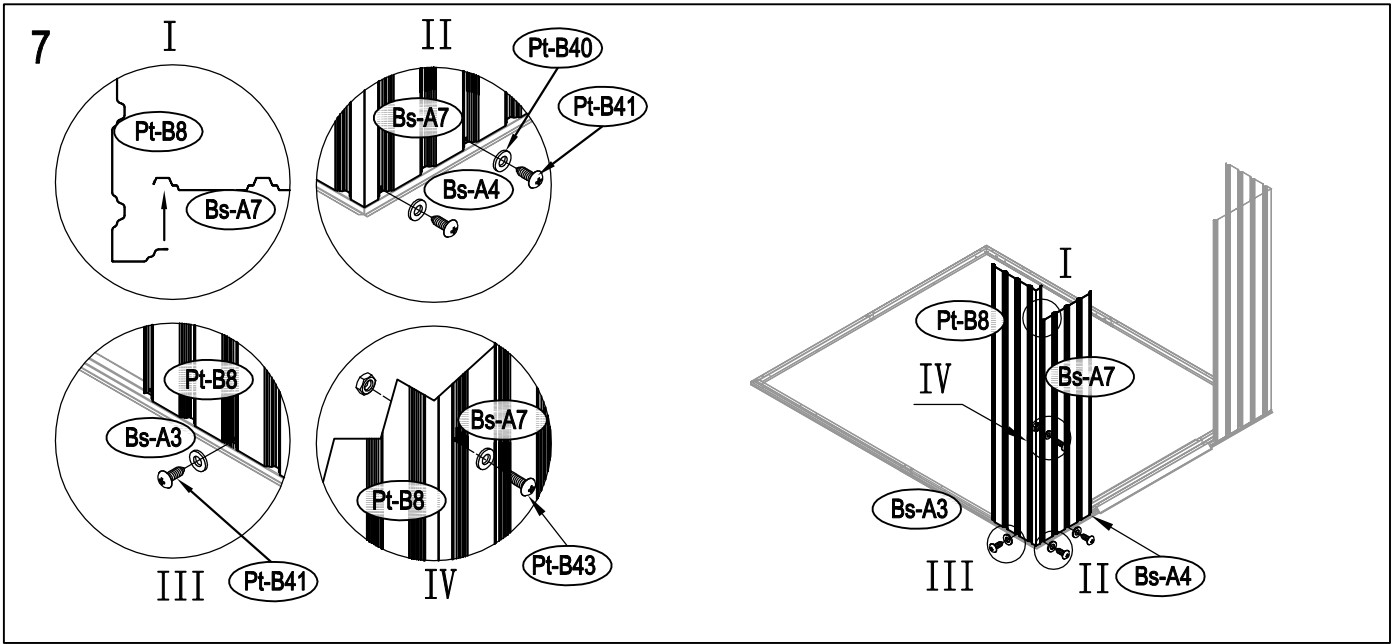


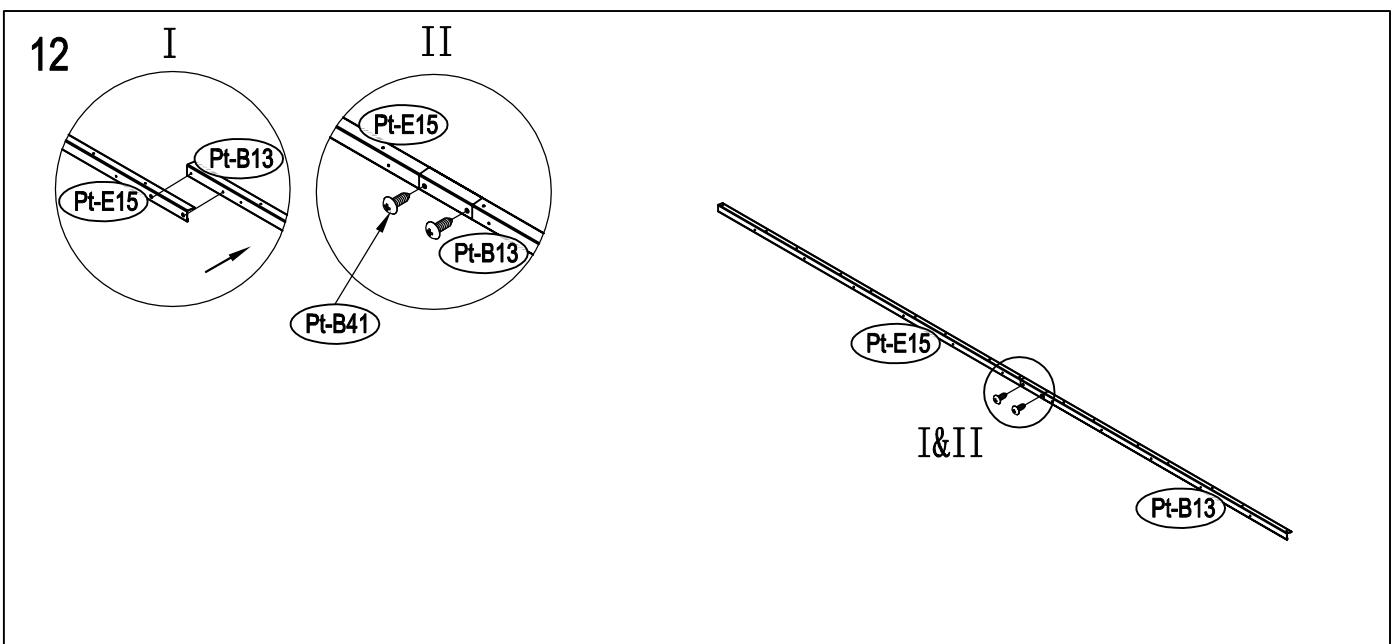
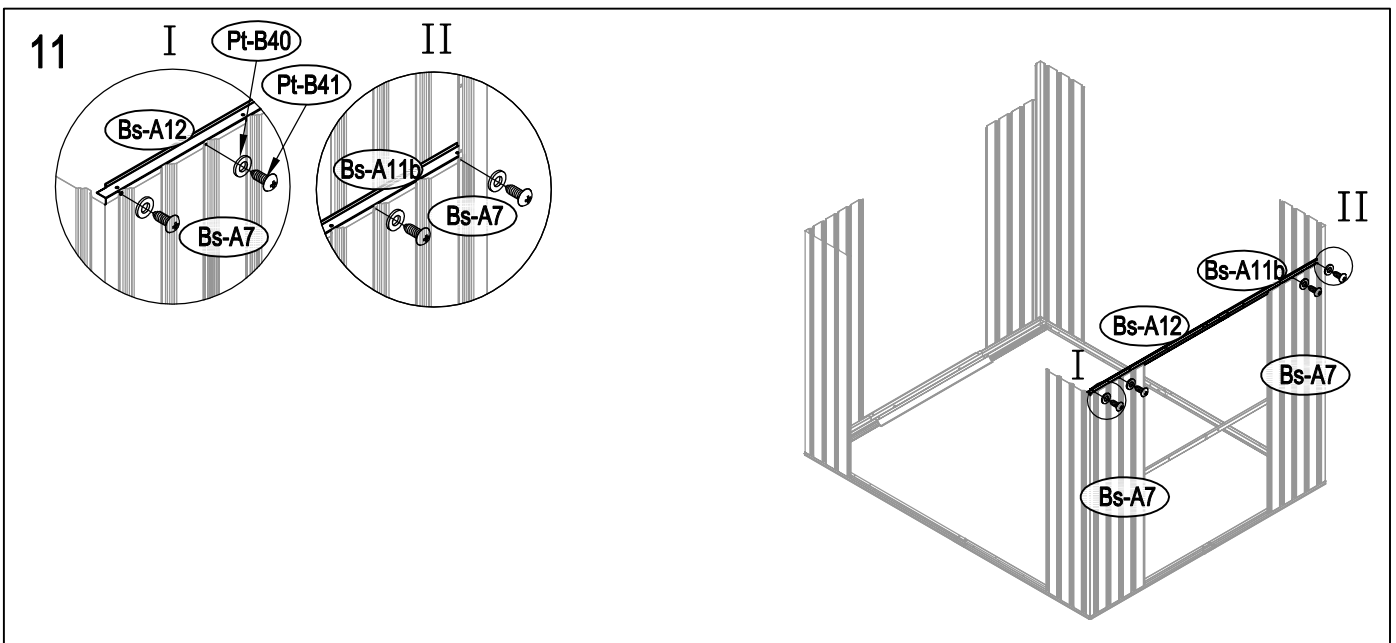
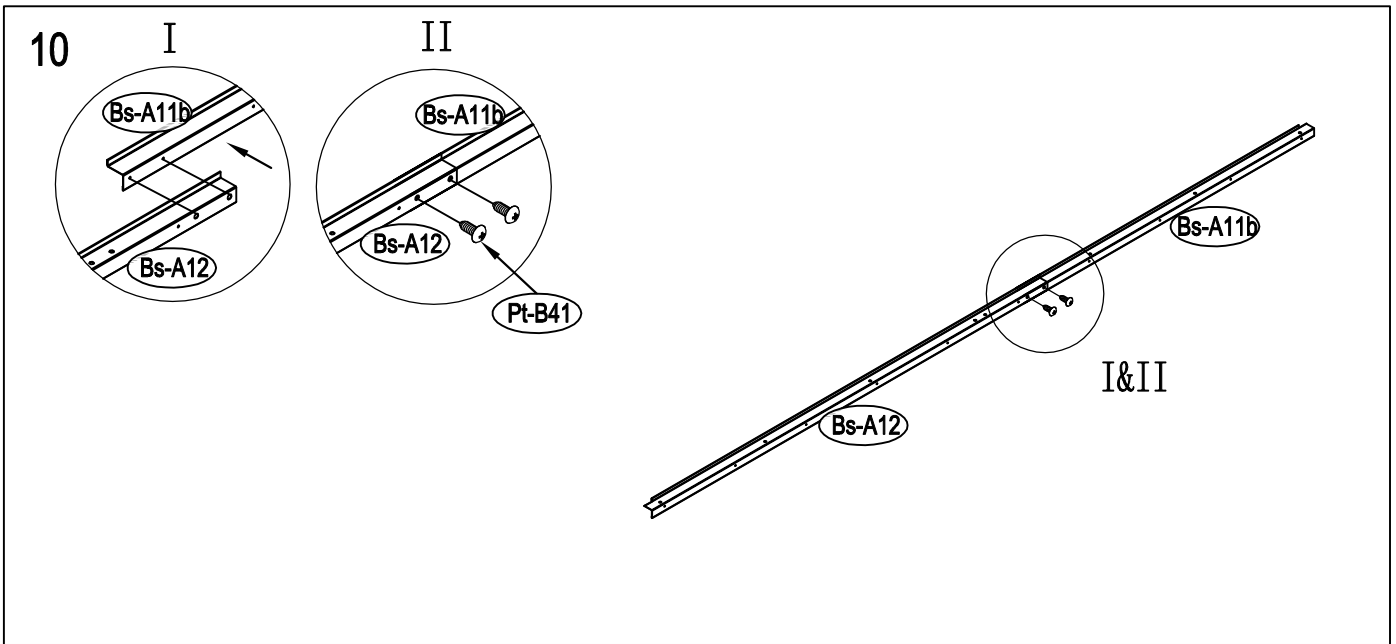
NO.	IMAGE	mm	QTY	NO.	IMAGE	mm	QTY	
UNDER				Pt-B23		1136	x1	
Bs-A1		1054	x1	Pt-B23a		1091	x1	
Bs-A2		1074	x1	Pt-B24		1136	x4	
Bs-A3		1174	x2	Pt-B24b		1136	x1	
Bs-F3a		1380	x2	Pt-B24a		1091	x6	
Bs-A4		590	x1	Pt-B25		1136	x1	
Bs-A5		590	x1	Pt-B25a		1091	x1	
Bs-A6		958	x1	Pt-B24p		1136	x1	
MIDDLE				Pt-B26		1073	x1	
Bs-A7		1648	x10	Pt-B26a			1073	x1
Pt-B7		1902	x4	Pt-B27			1086	x1
Pt-B8		1902	x1	Pt-B27a			1086	x1
Pt-B8a		1902	x1	Am-26			1296	x4
Bs-8d		1648	x2	DOOR				
Bs-A7c		1648	x1	Ax-A30		1583	x1	
Bs-A9a		995.5	x1	Ax-A35		1583	x1	
Bs-A10		995.5	x1	Ax-A30a		1583	x2	
Bs-A11b		873	x1	Ts-31		1583	x2	
Bs-A12		1190	x1	Ax-31a		1583	x2	
Pt-B13		1145	x1	Ax-A32		234	x4	
Pt-E15		1401	x1	Ax-A32a		212	x4	
Pt-B13a		1145	x1	Ax-A33		486	x1	
Pt-E15a		1401	x1	Ax-A34		486	x1	
Bs-16		1648	x1	Ax-A36		486	x1	
Bs-17		1648	x1	Ax-A37		486	x1	
Bs-A18		1044	x1	ANNEX				
Bm-A47		1004	x1	T-P1			x4	
Pt-B47a		1004	x1	T-P2			x4	
Bm-E48		1539	x2	T-P3			x4	
Bm-F48		900	x2	TP5A			x2	
TOP1				T-P6			x2	
Pt-B19		966	x1	T-P7		200	x1	
Pt-B19a		966	x1	T-P8			x2	
Pt-B20		986.5	x1	Pt-B40			x238	
Pt-B20a		986.5	x1	Pt-B41		ST4x10	x284	
An-D22		1386	x2	Pt-B42		ST4x16	x20	
An-D22a		1386	x2	Pt-B43		M4x10	x122	
Pt-A28		1147.5	x1	Pt-B44			x98	
Bs-B28a		1516	x1			40mm	x1	
Pt-B56		66	x1				x2	
Pt-B56a		66	x1	V-A1		1024	x7	
Pt-B58		190	x2	V-A4		1663	x2	
TOP2								

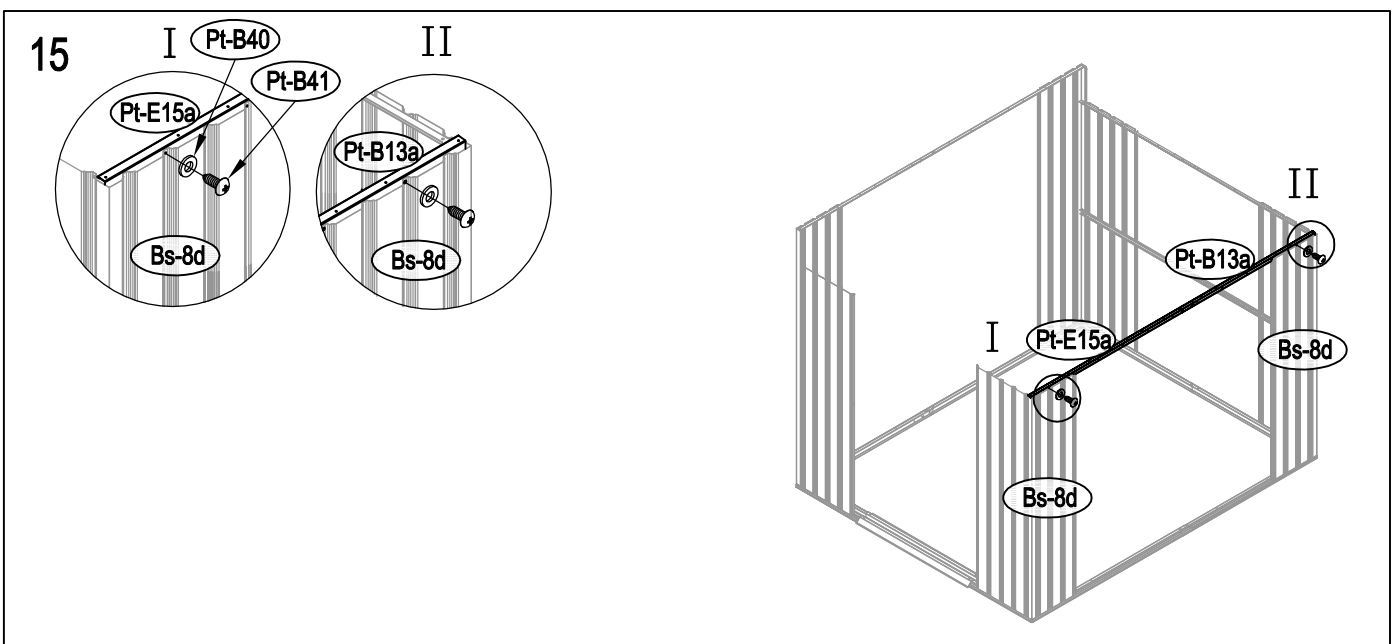
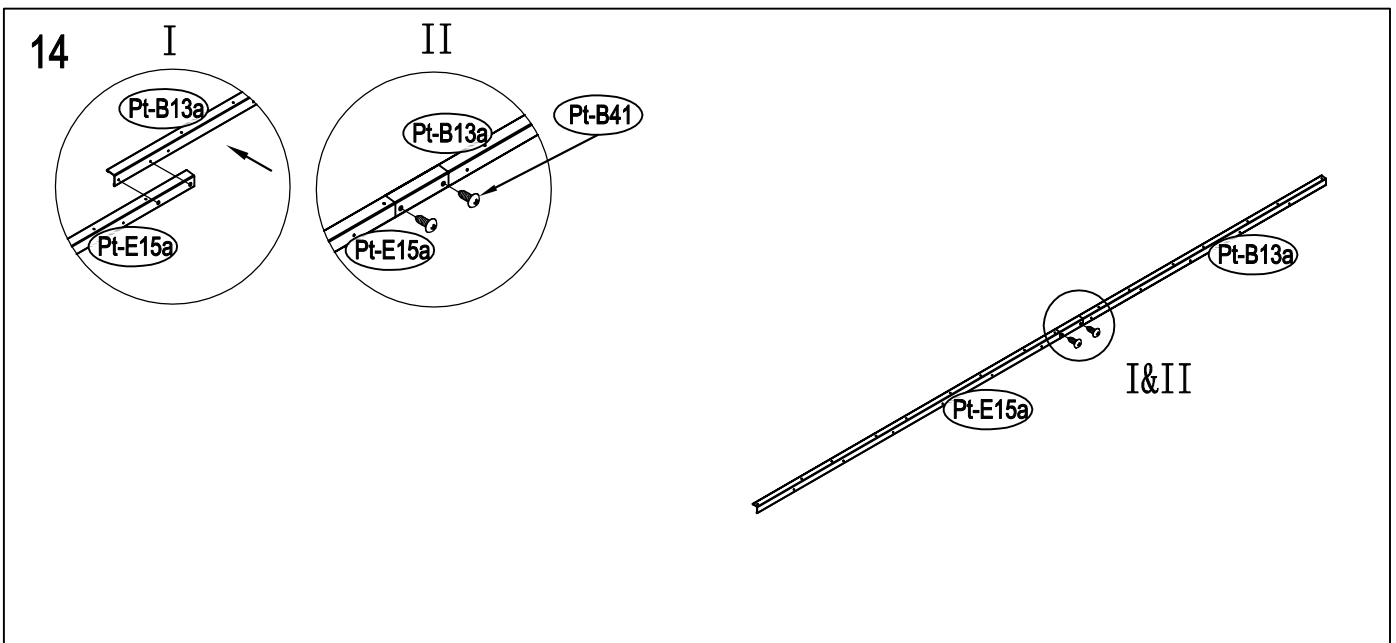
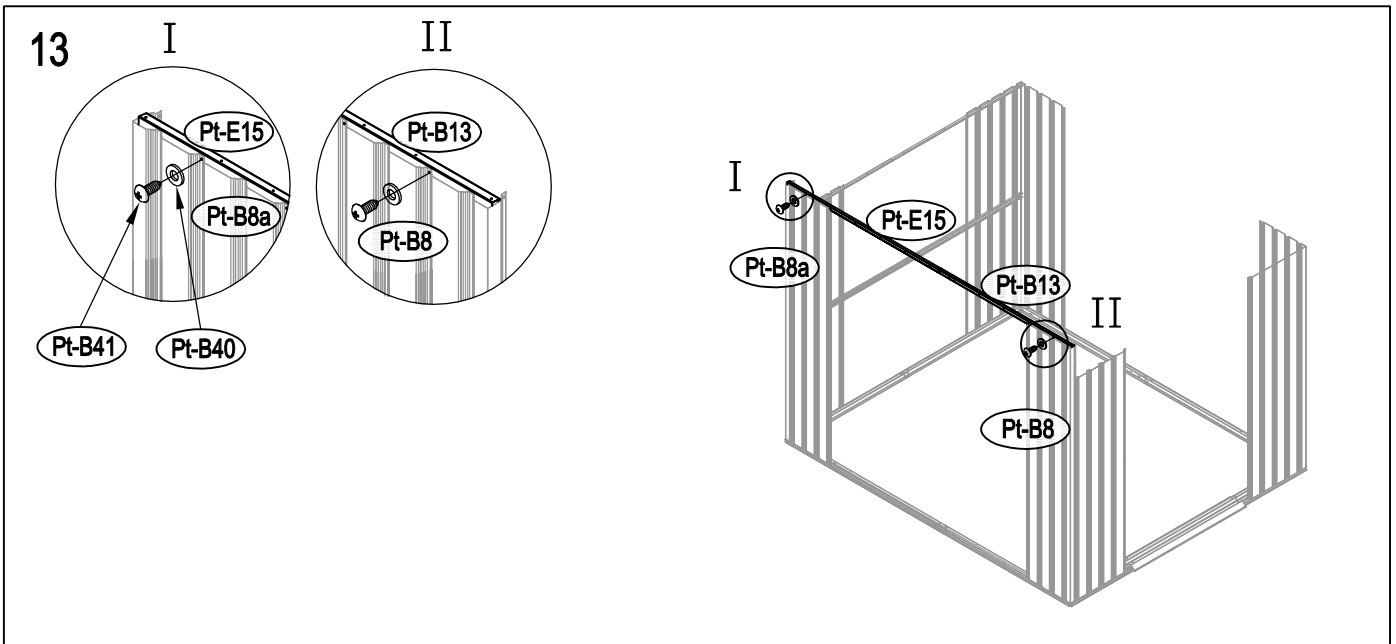


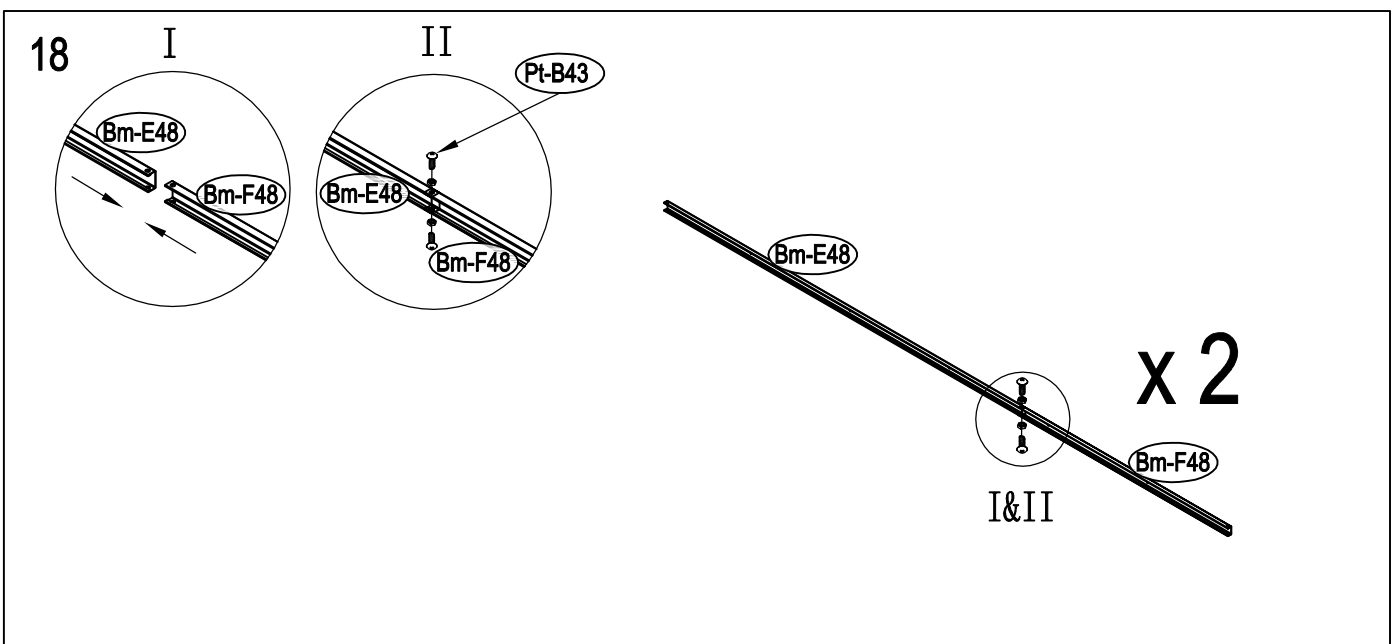
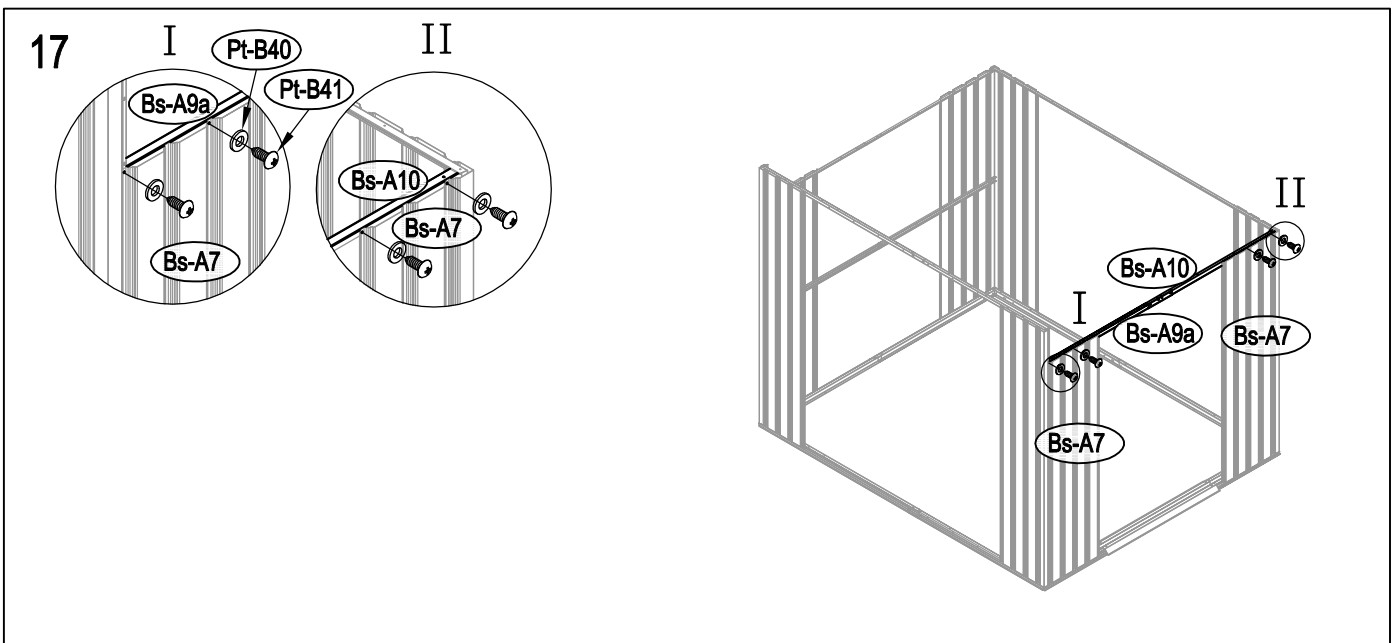
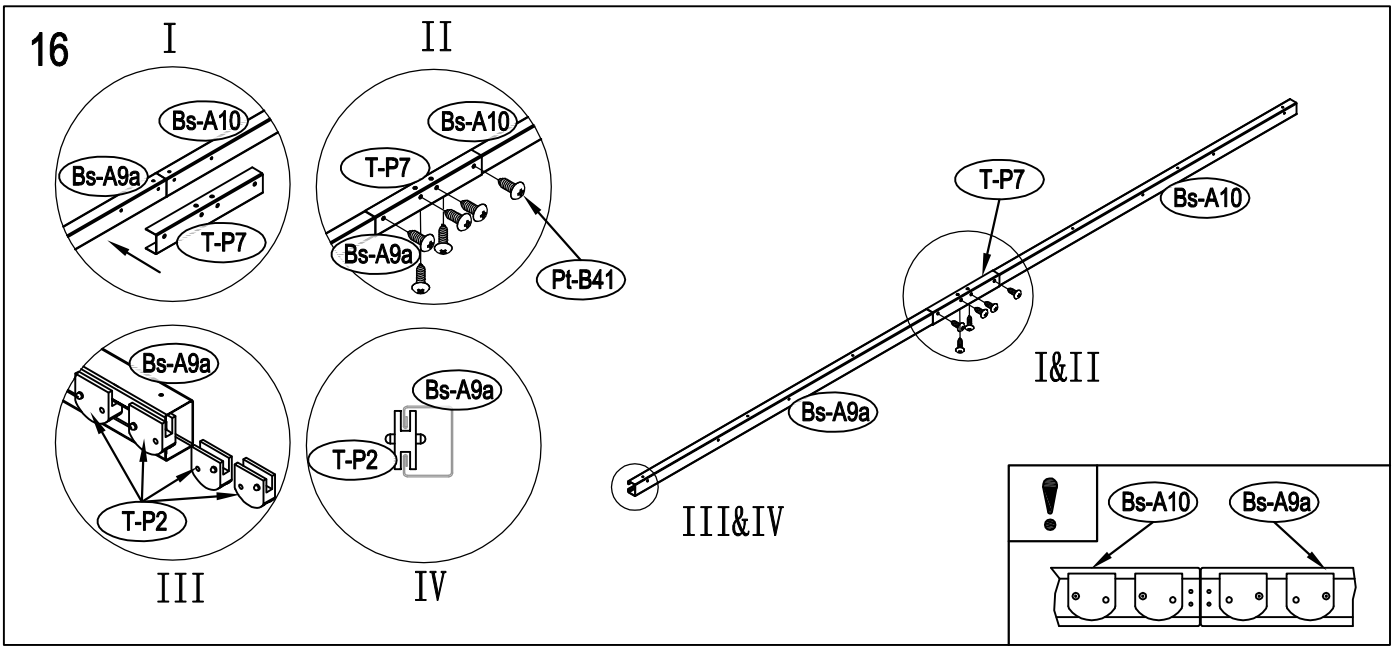


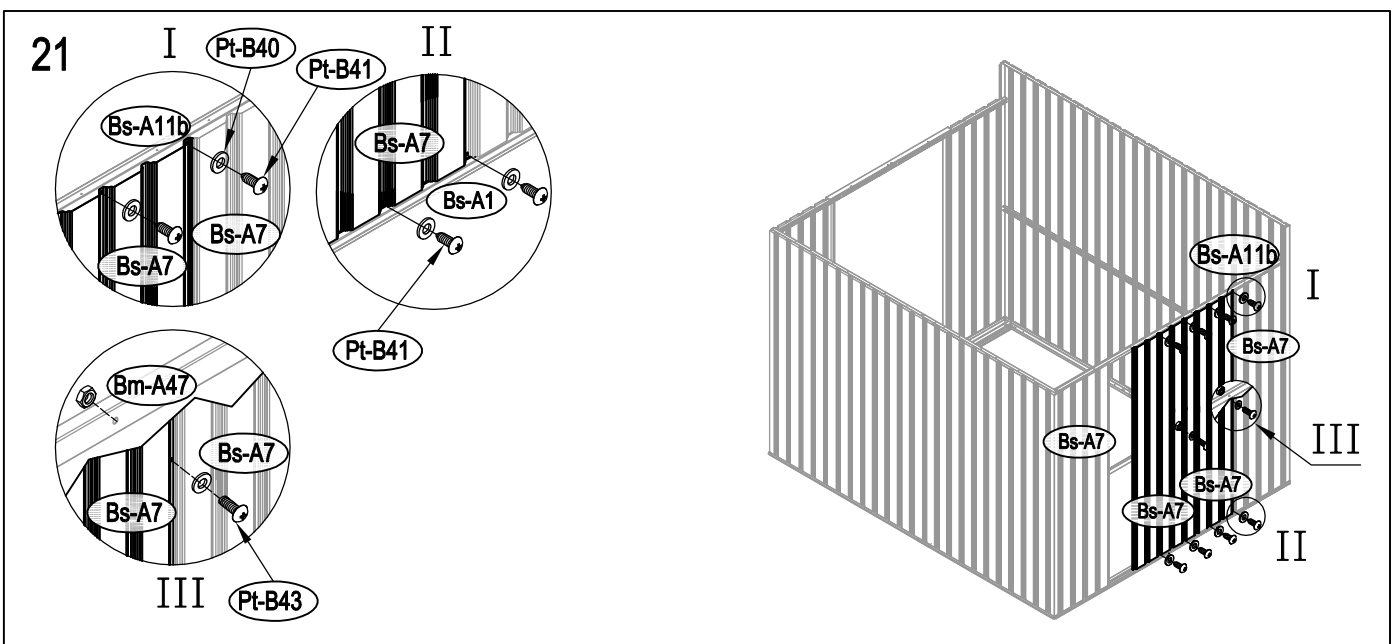
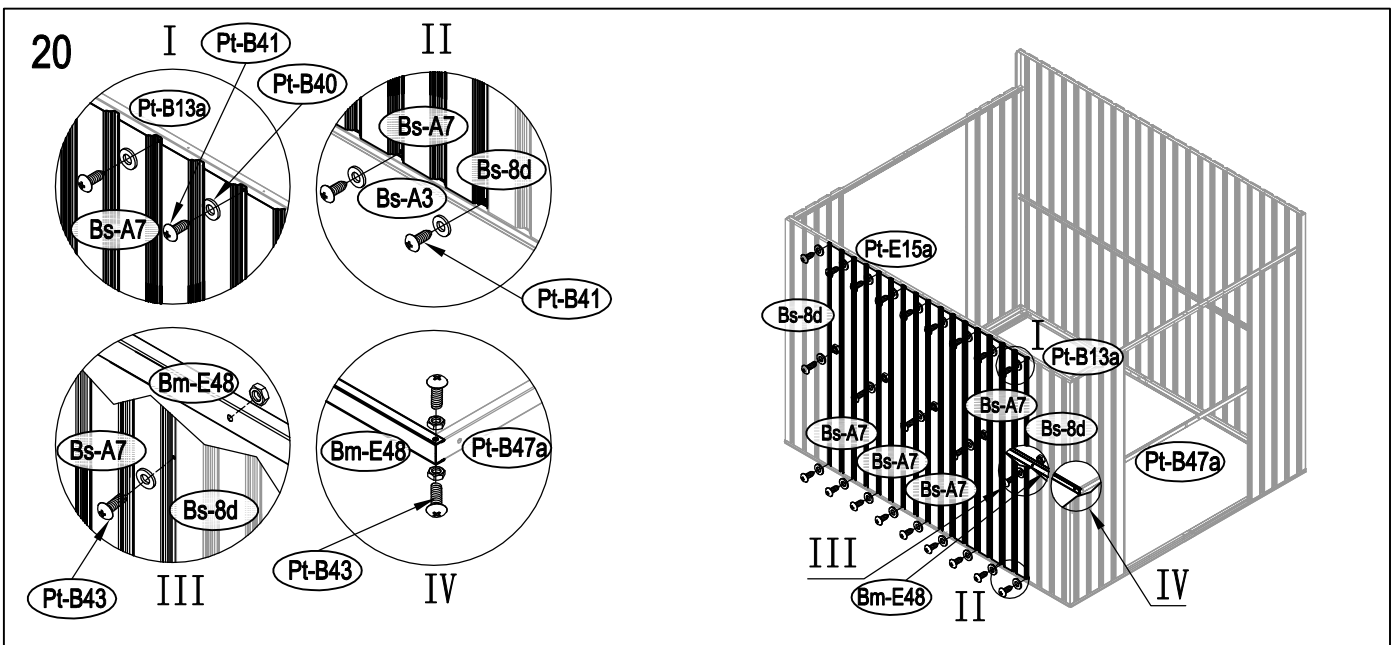
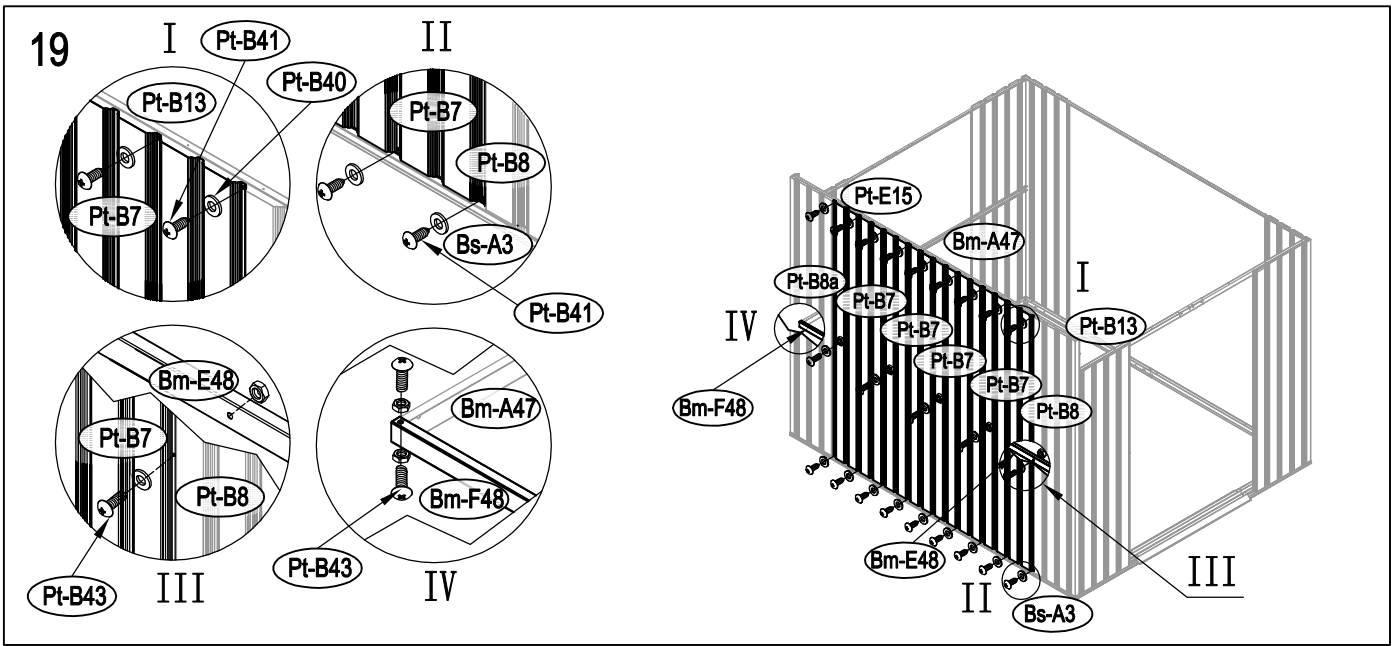


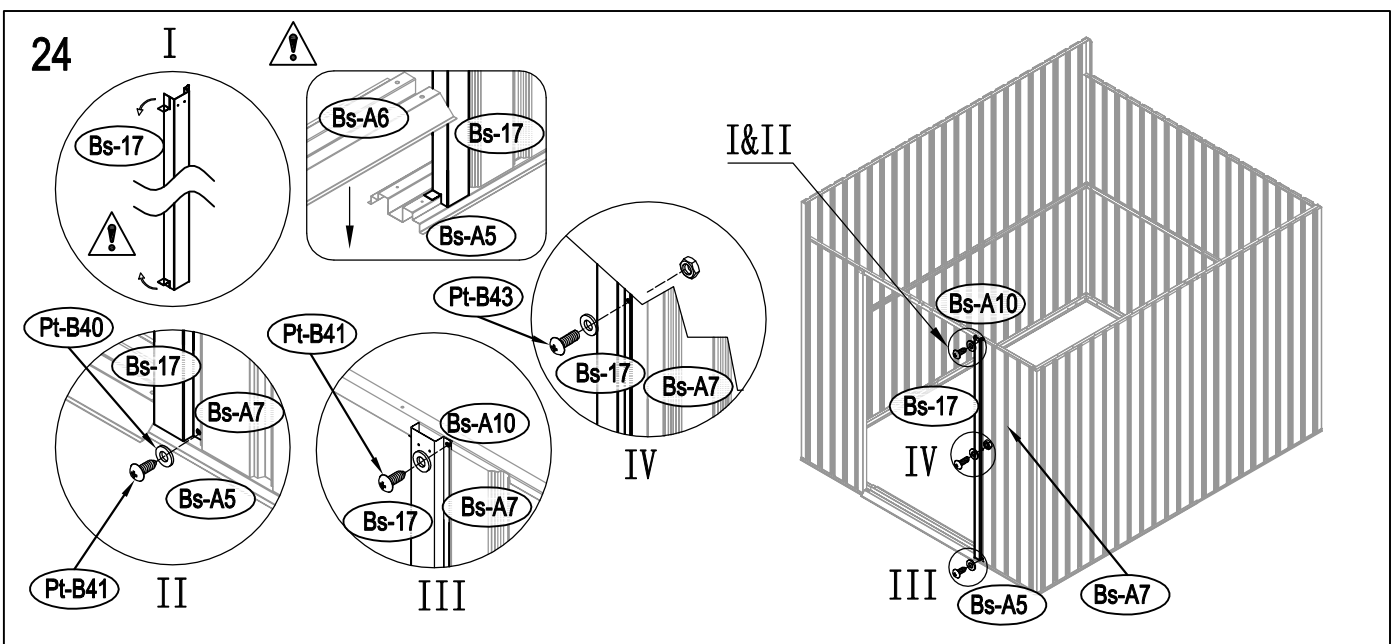
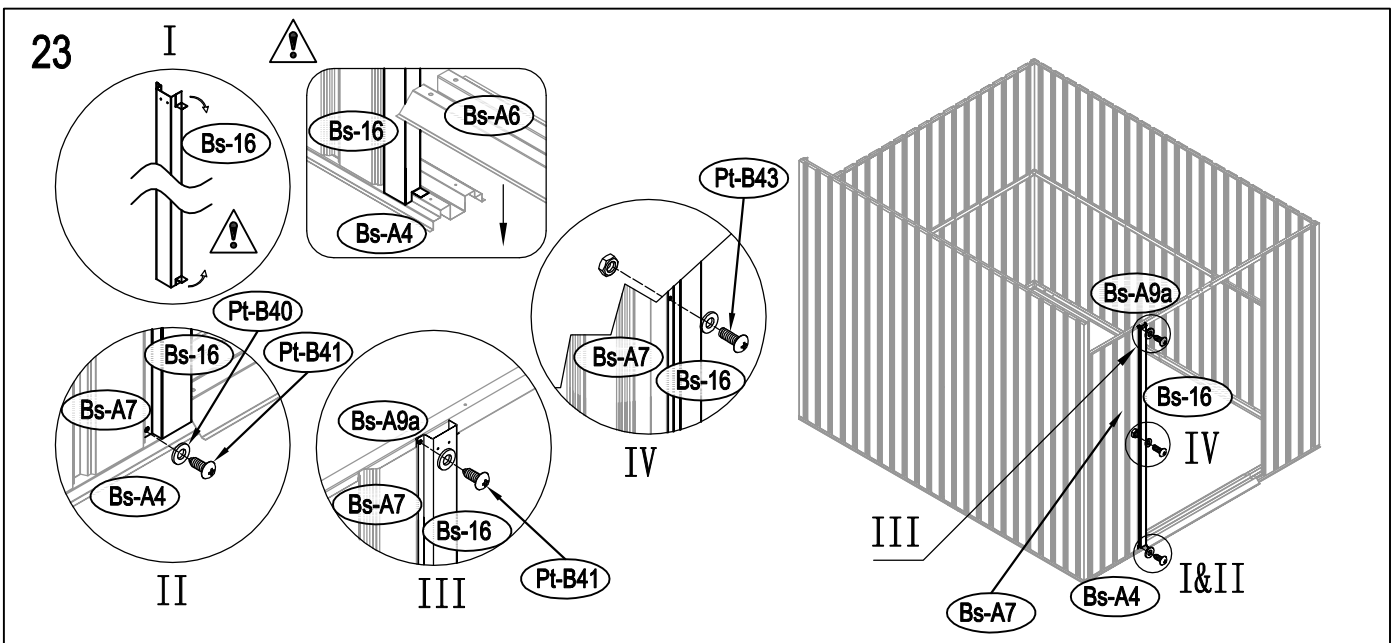
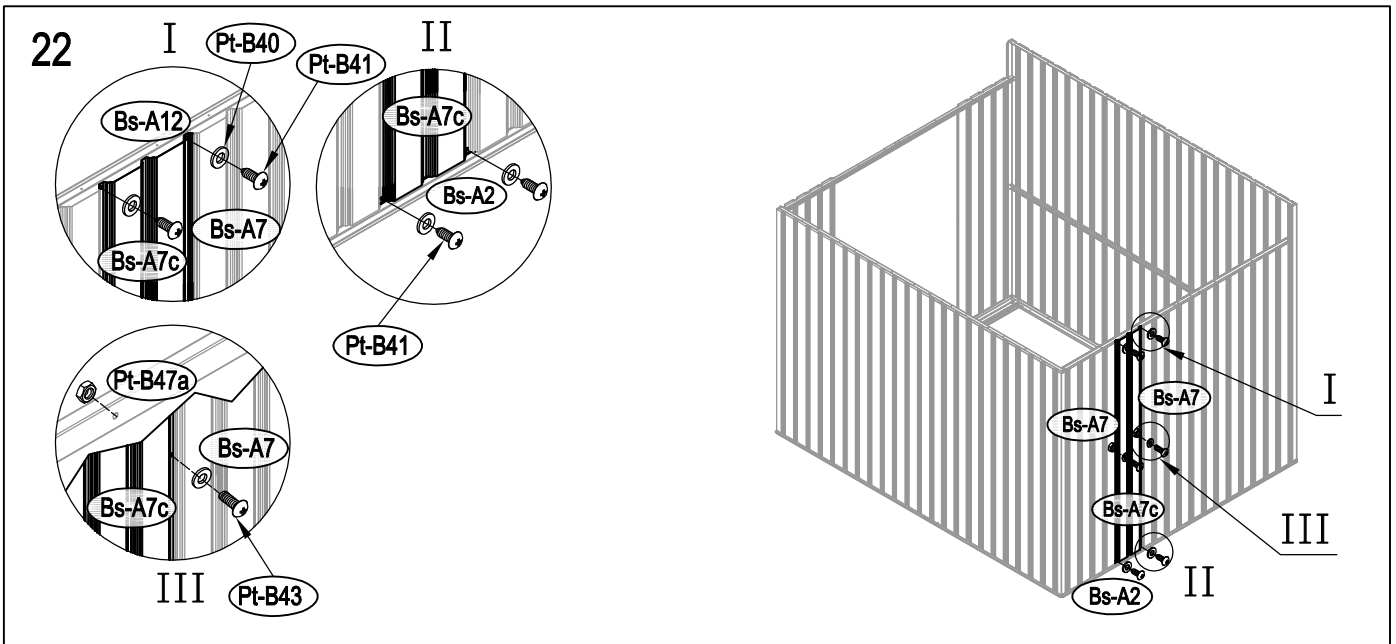


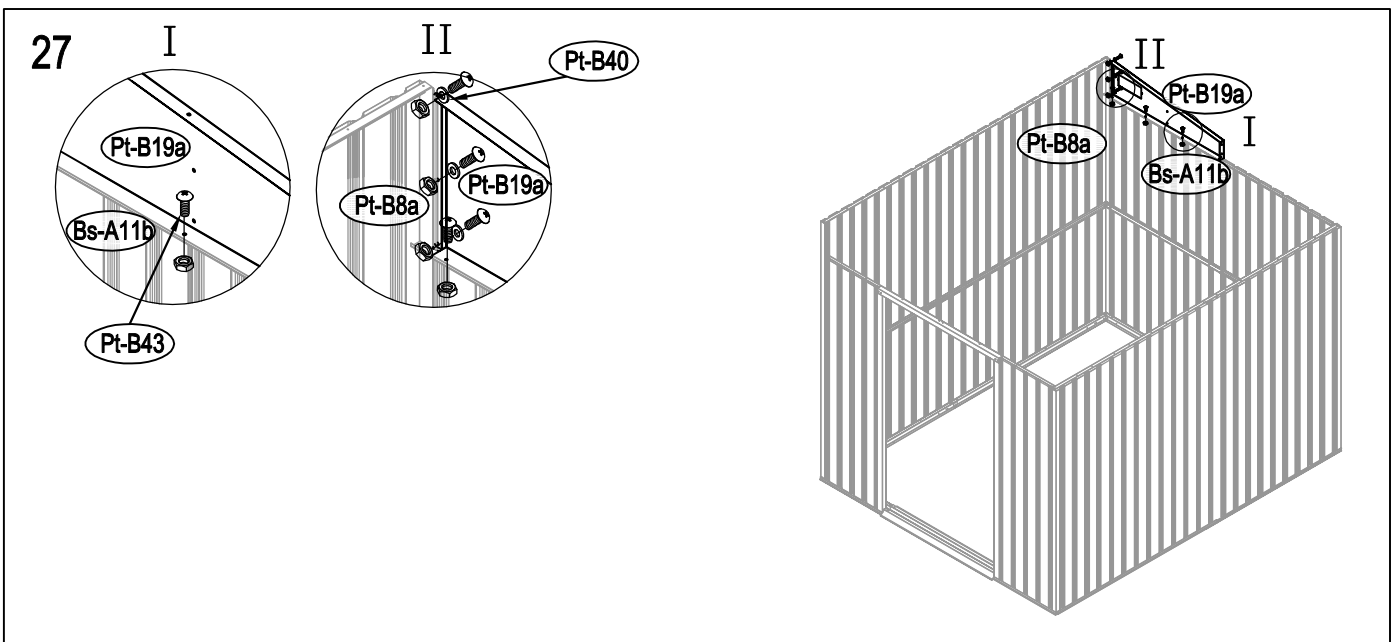
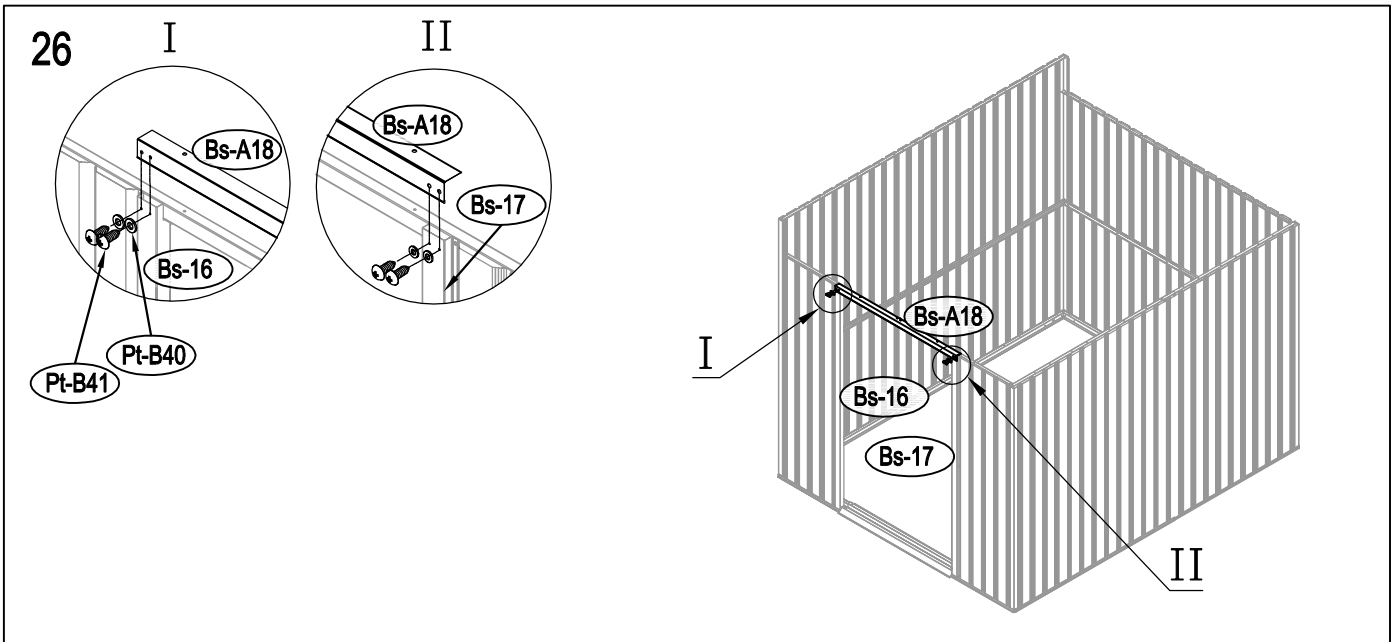
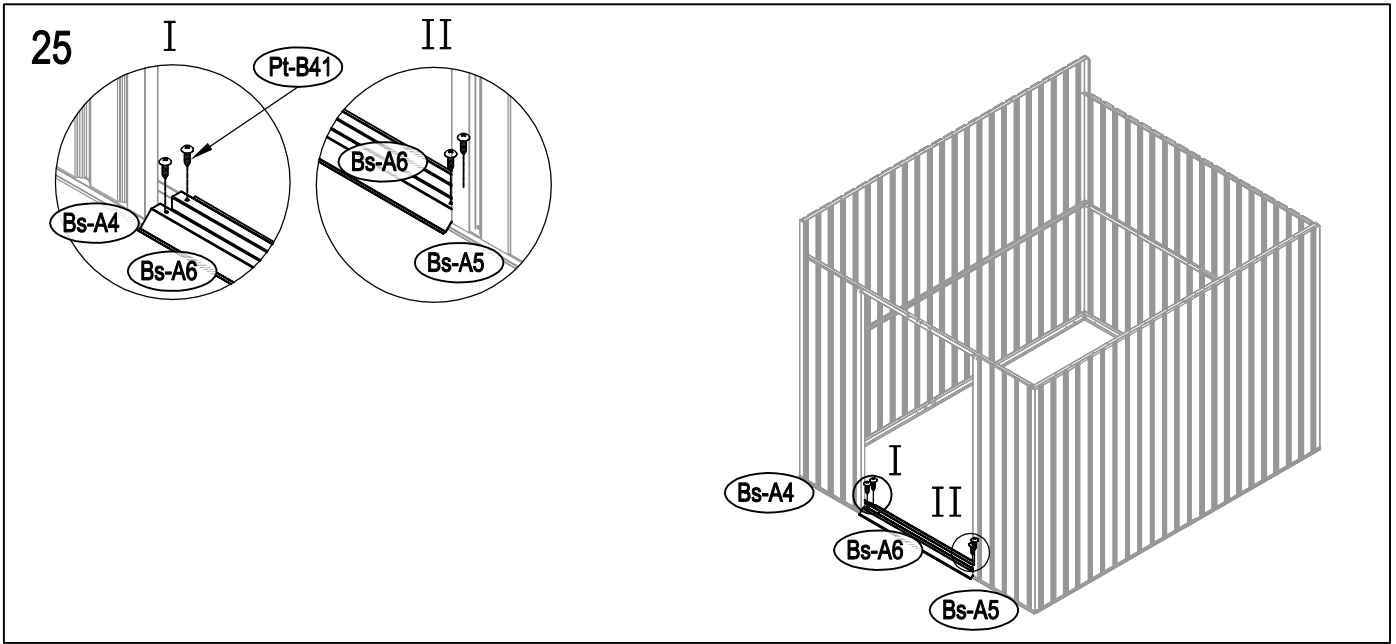


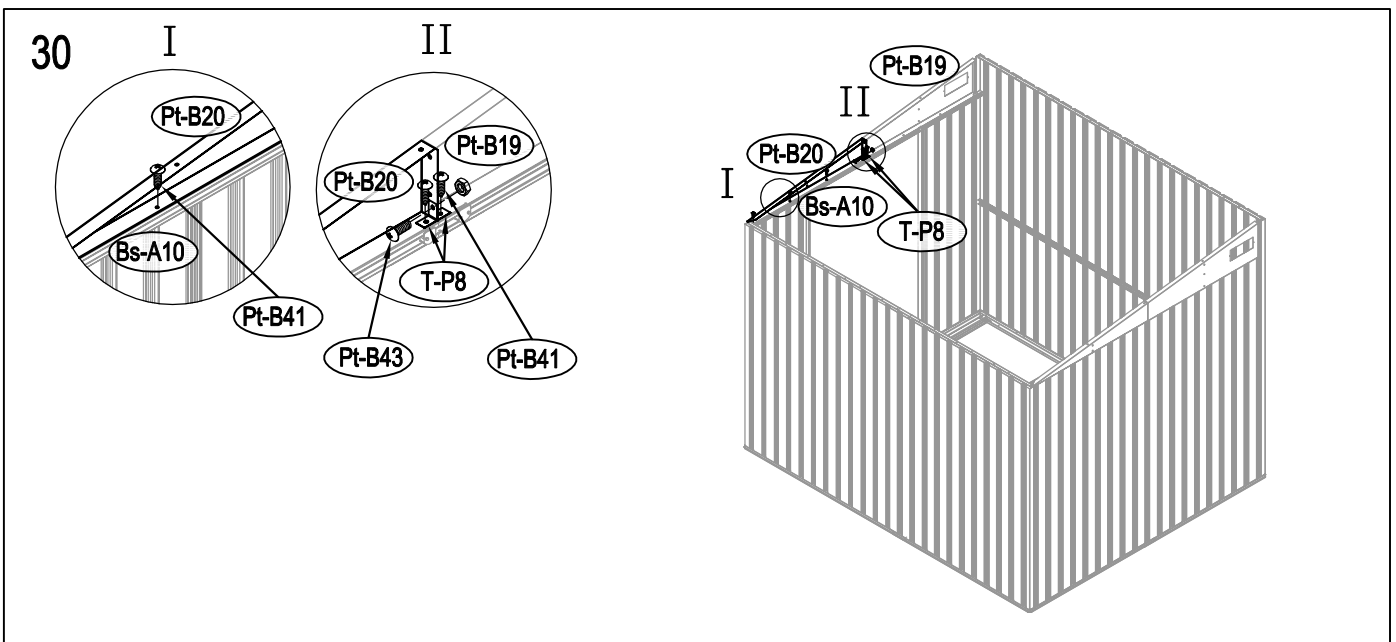
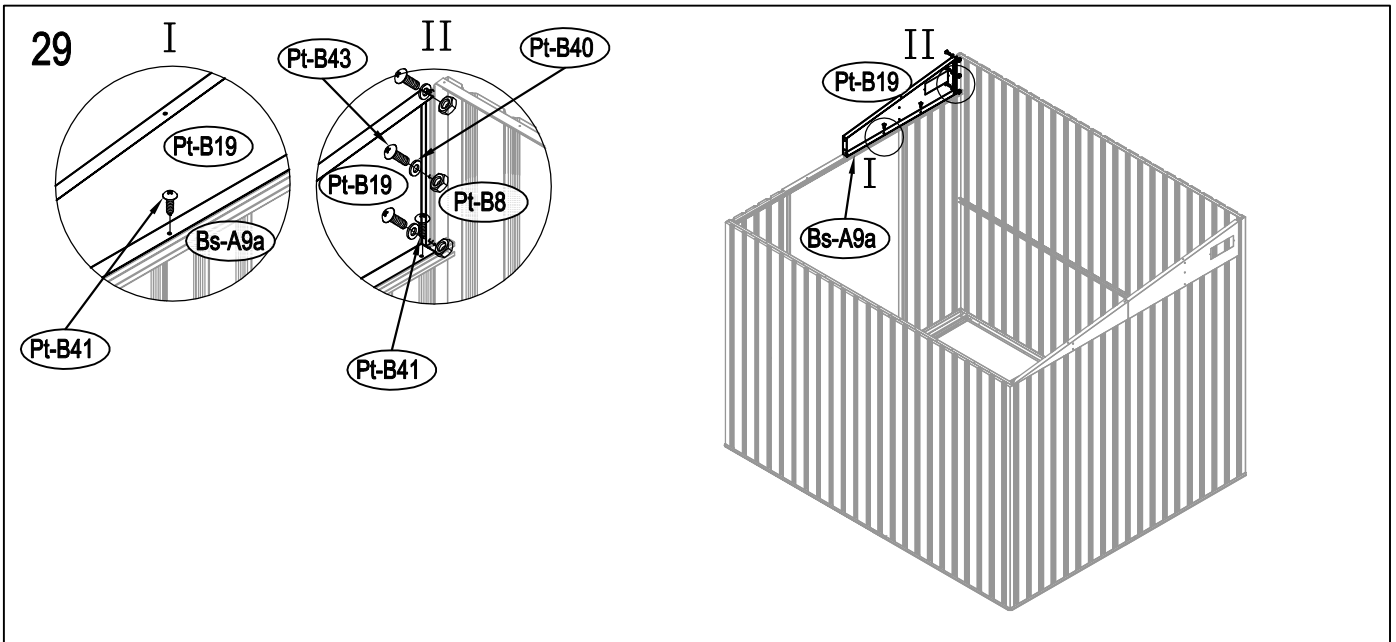
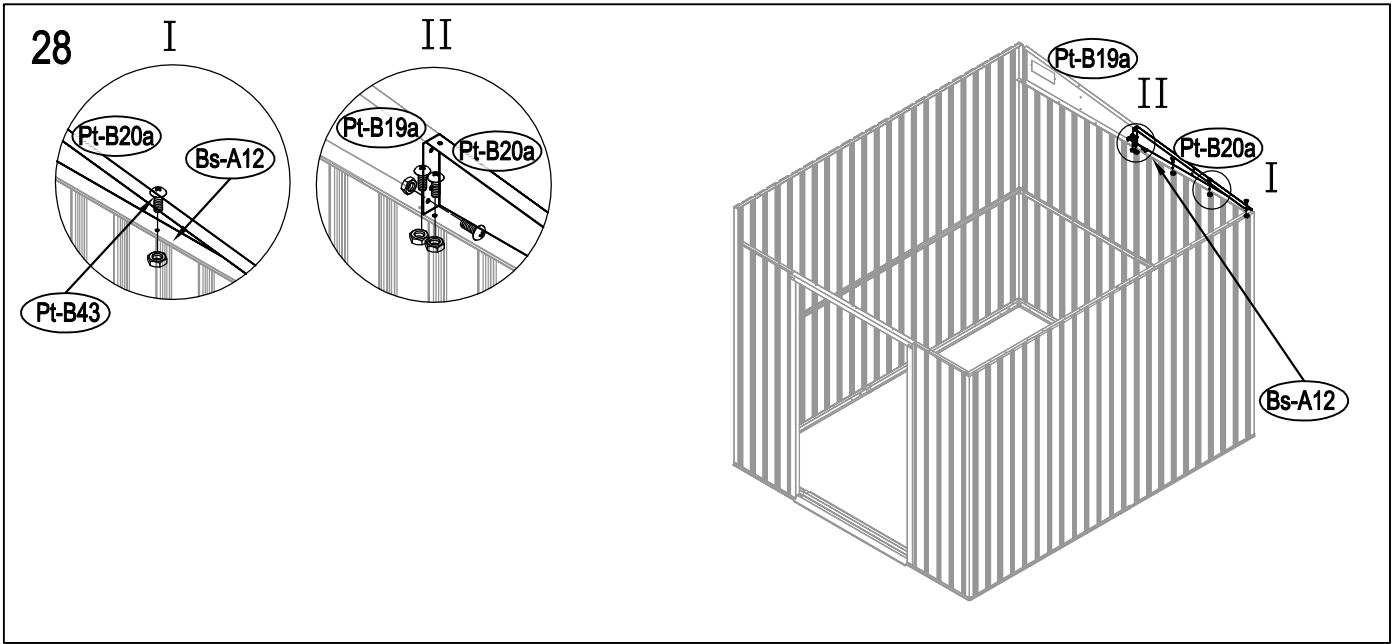


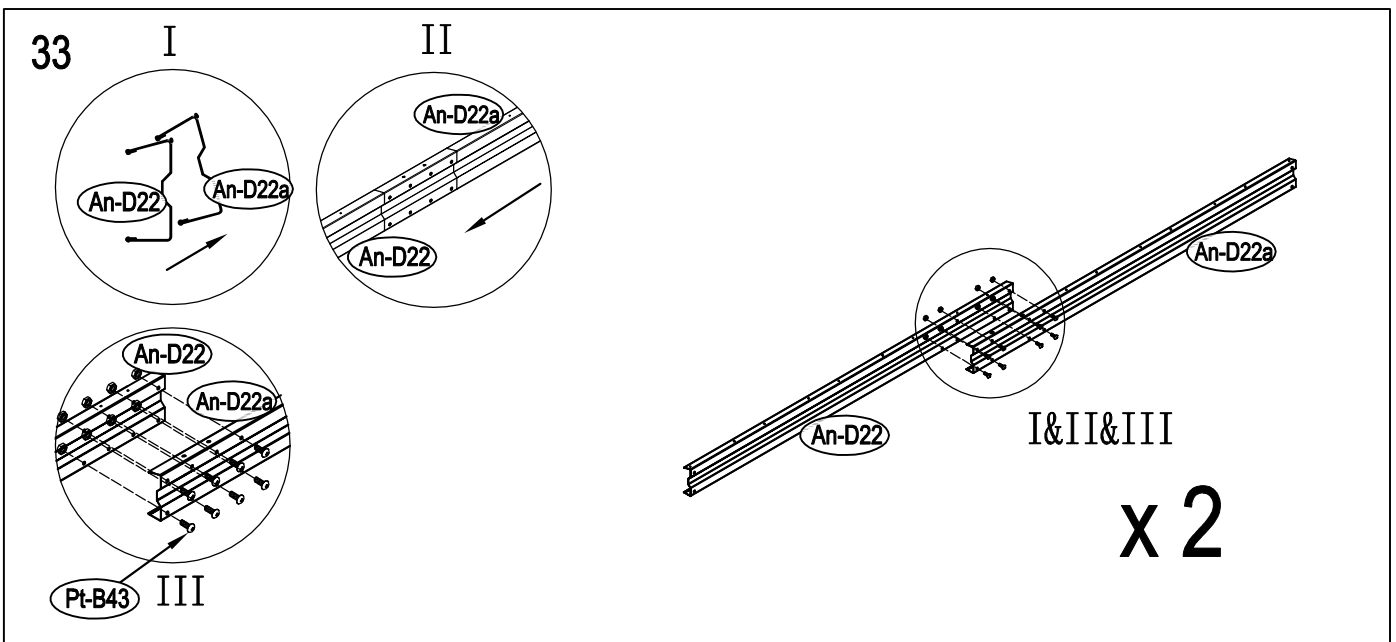
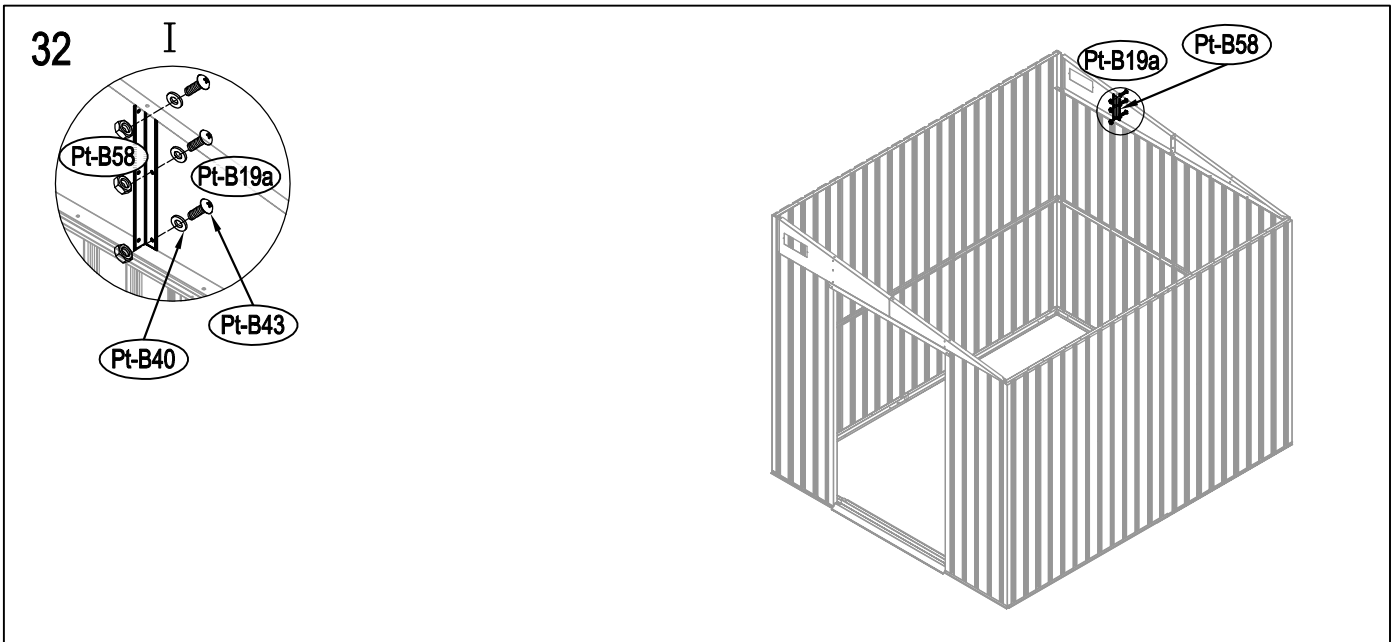
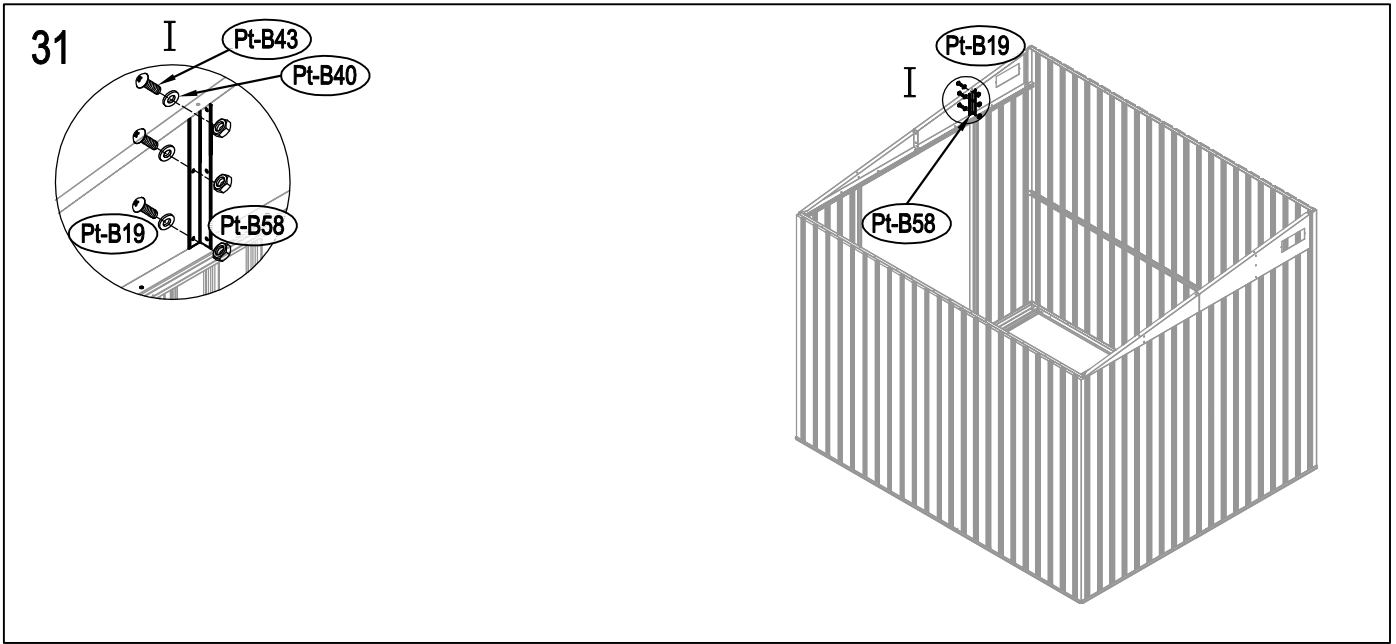


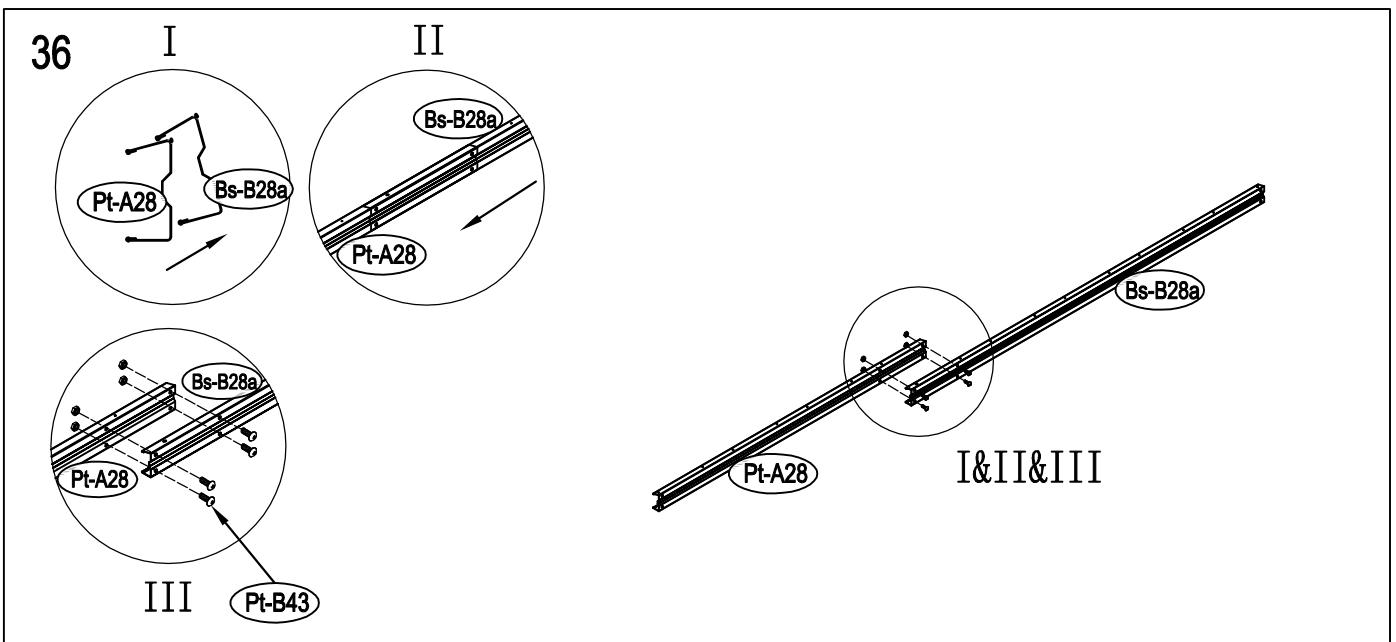
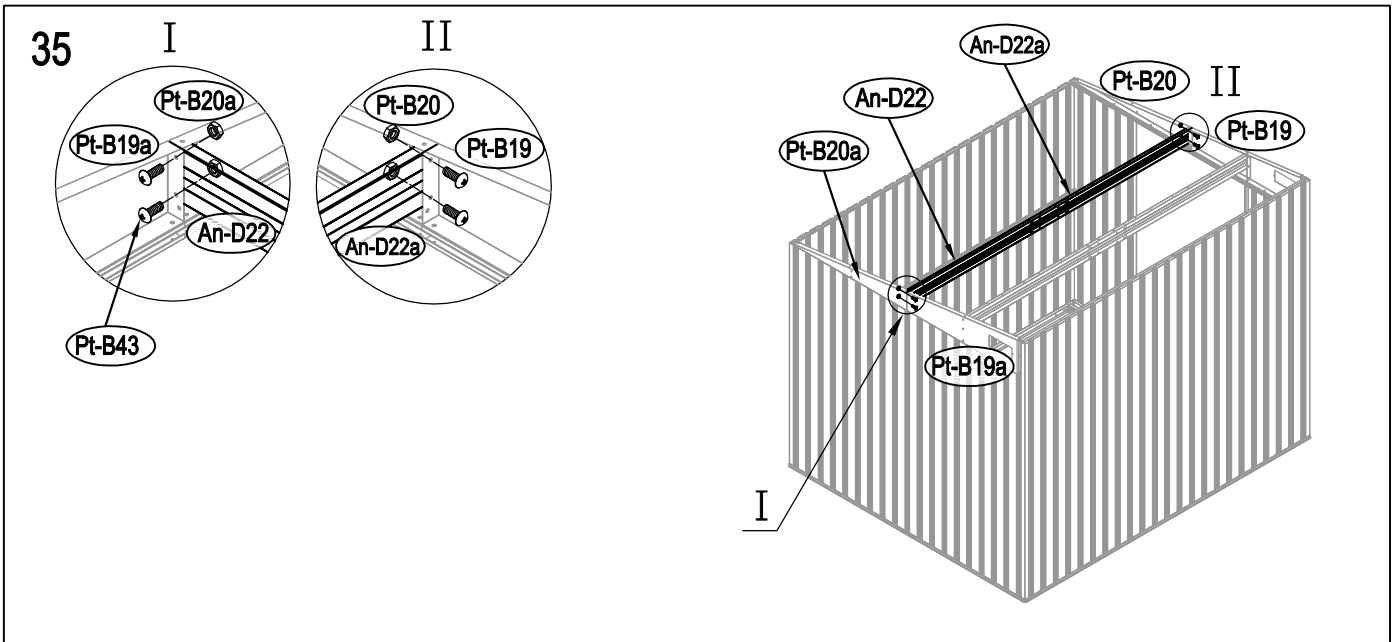
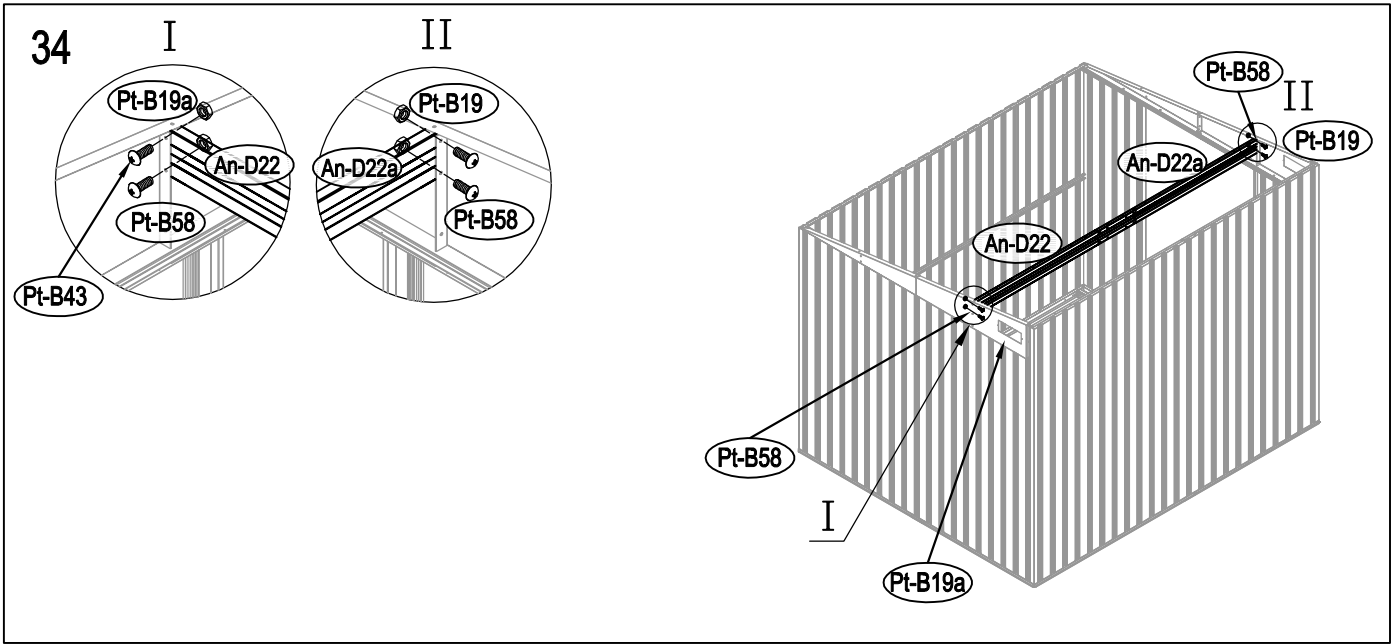


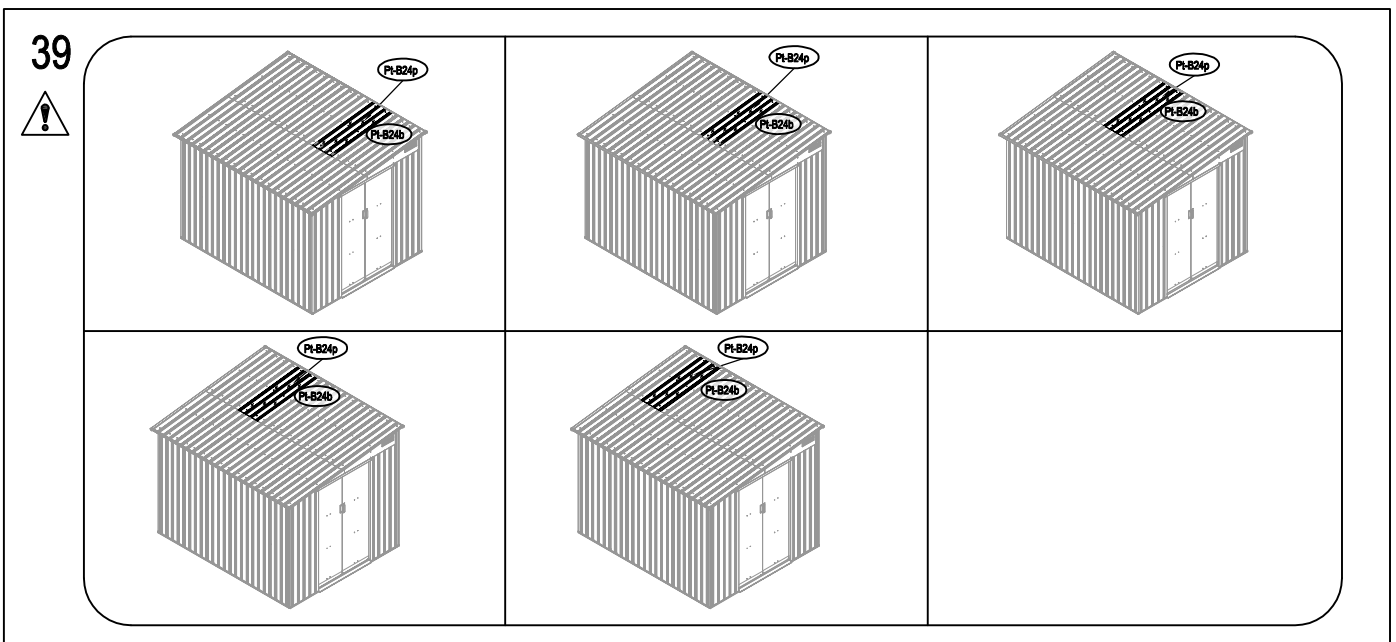
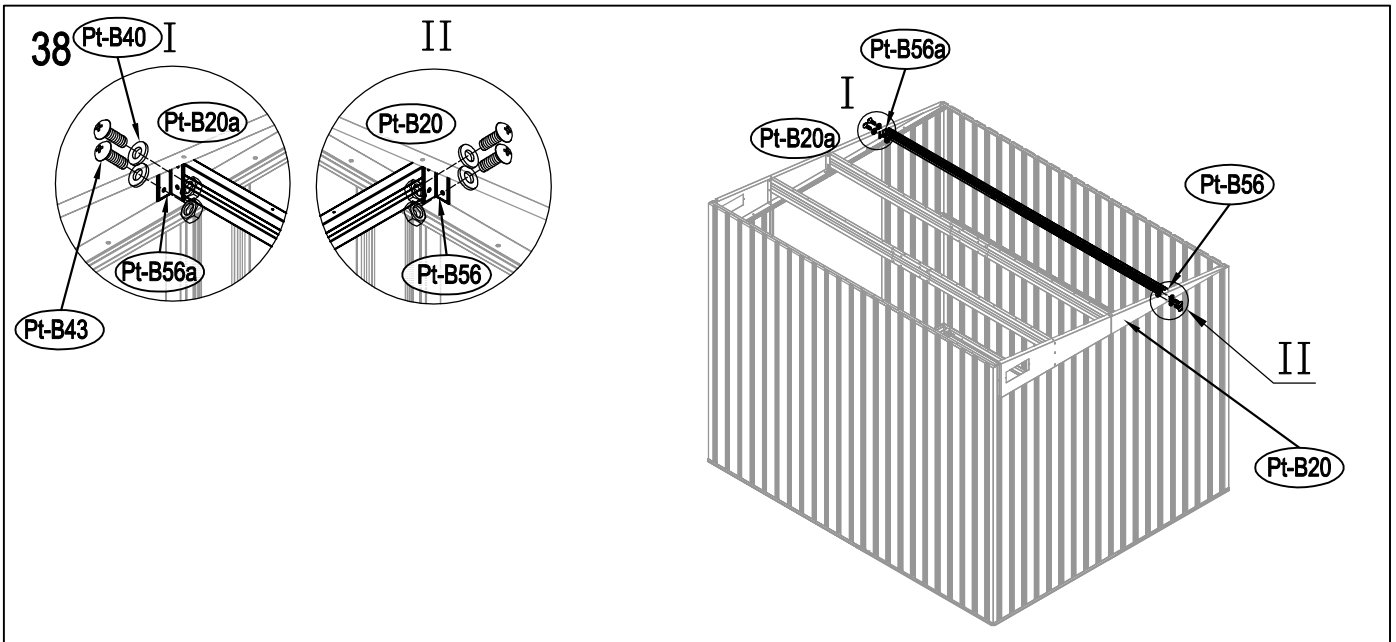
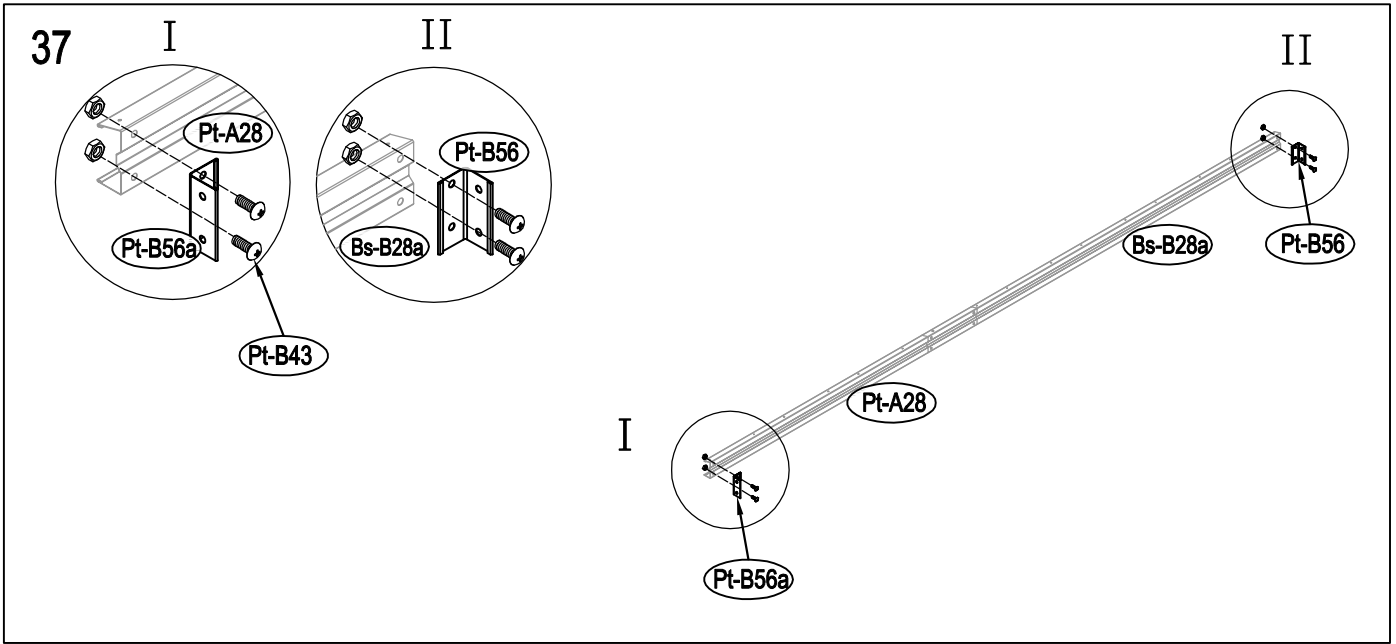


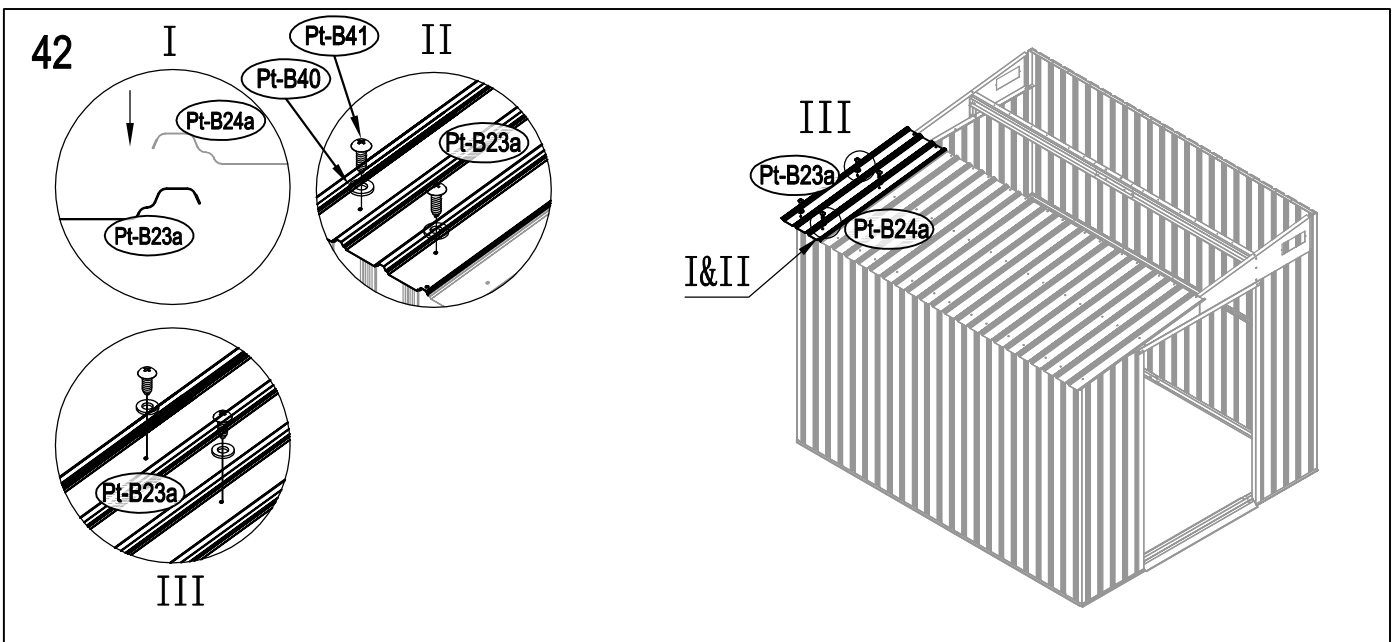
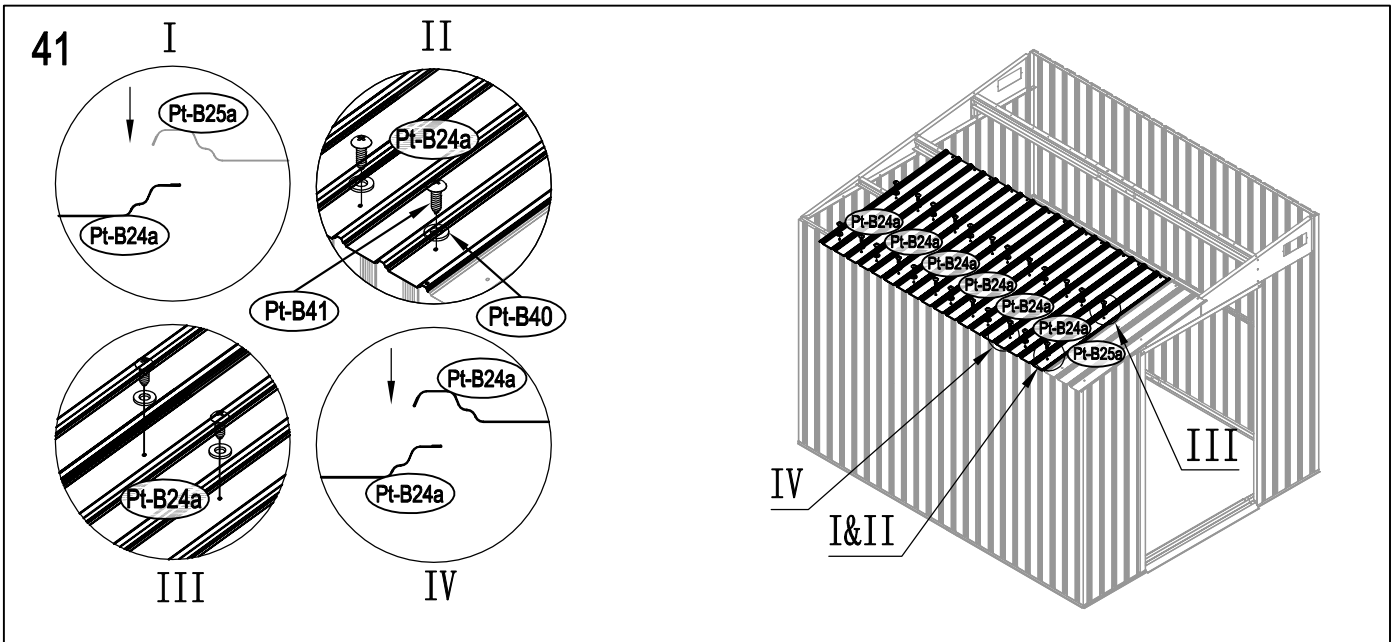
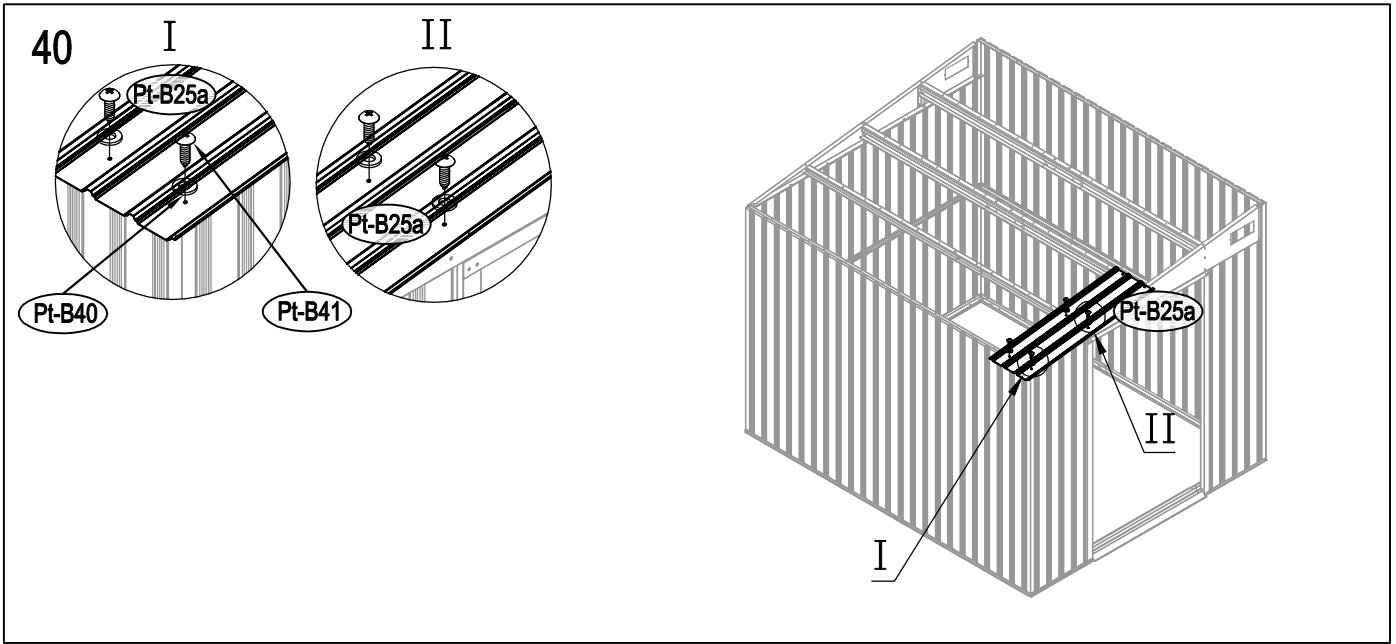


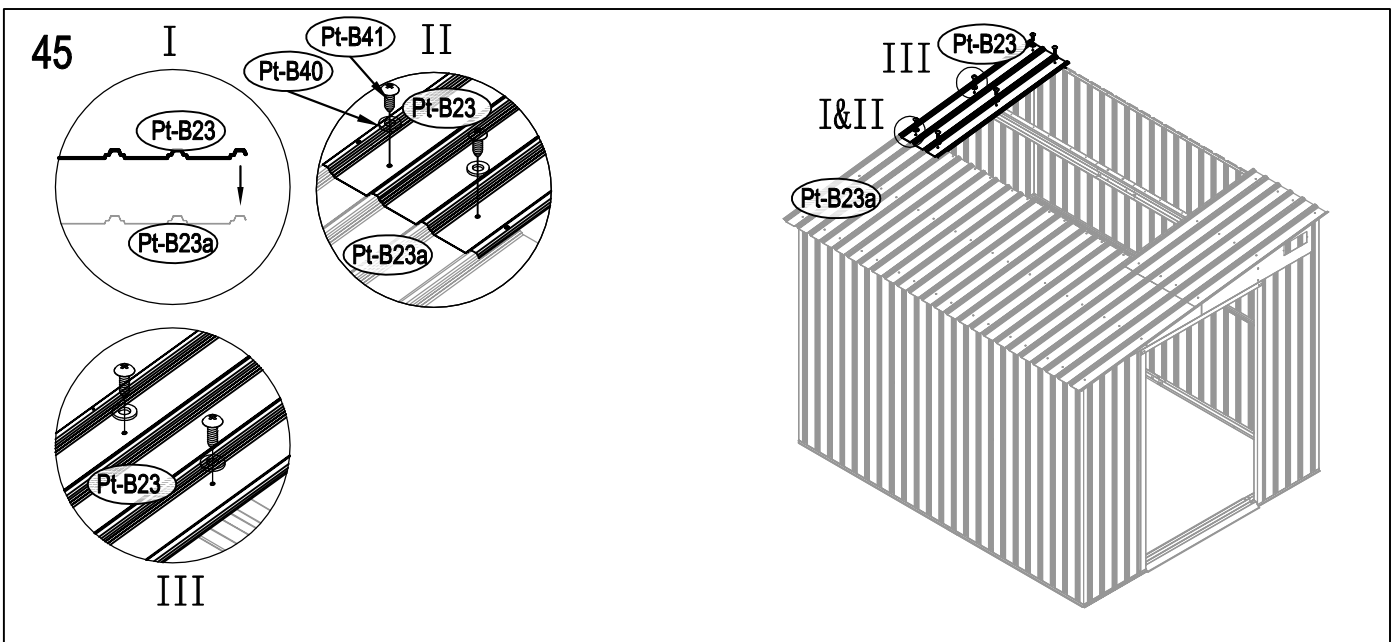
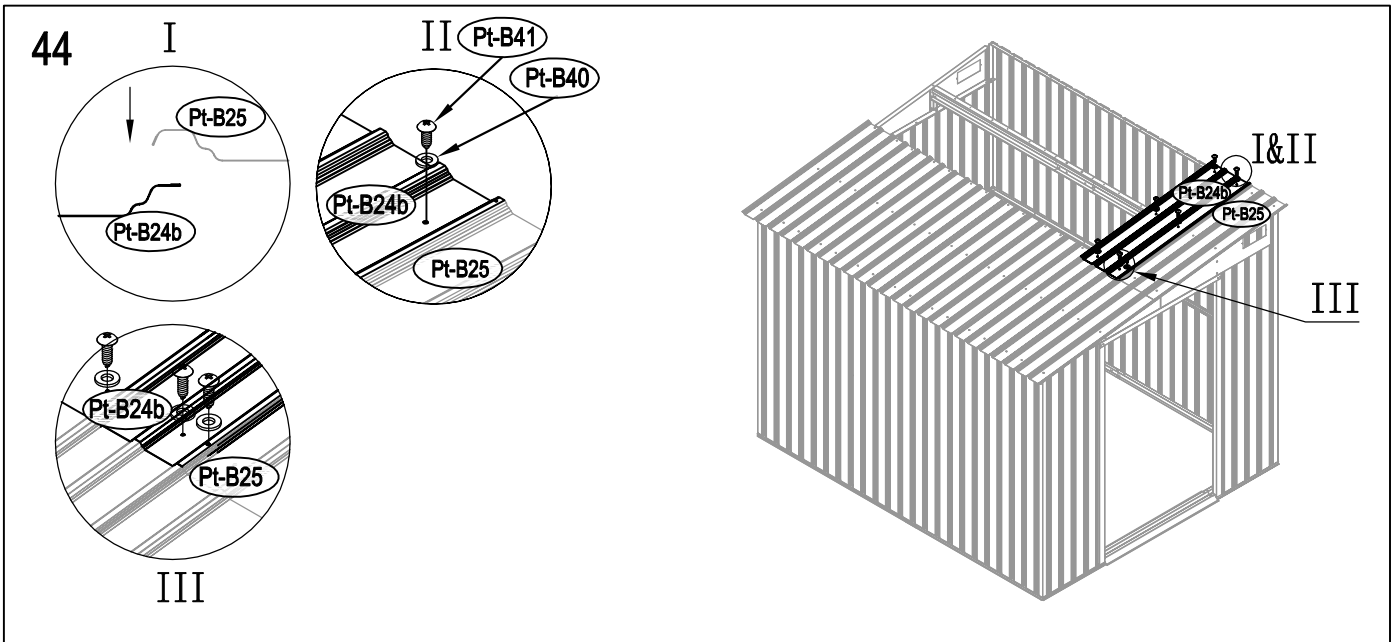
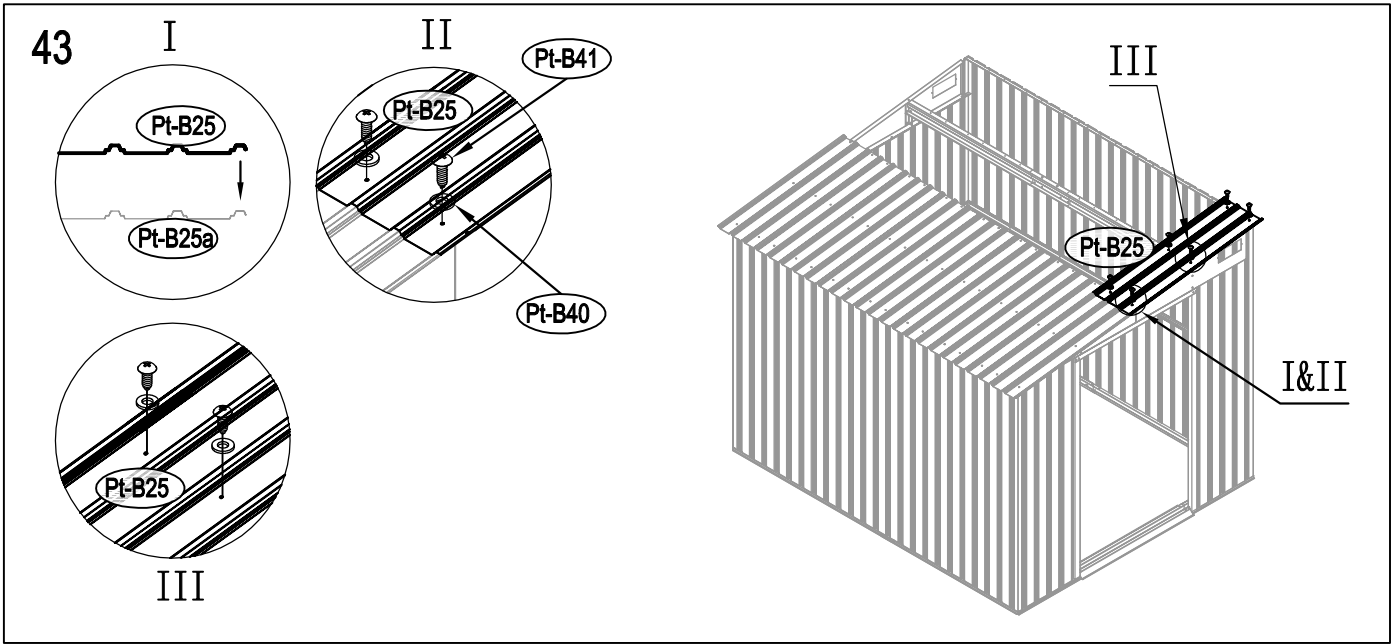


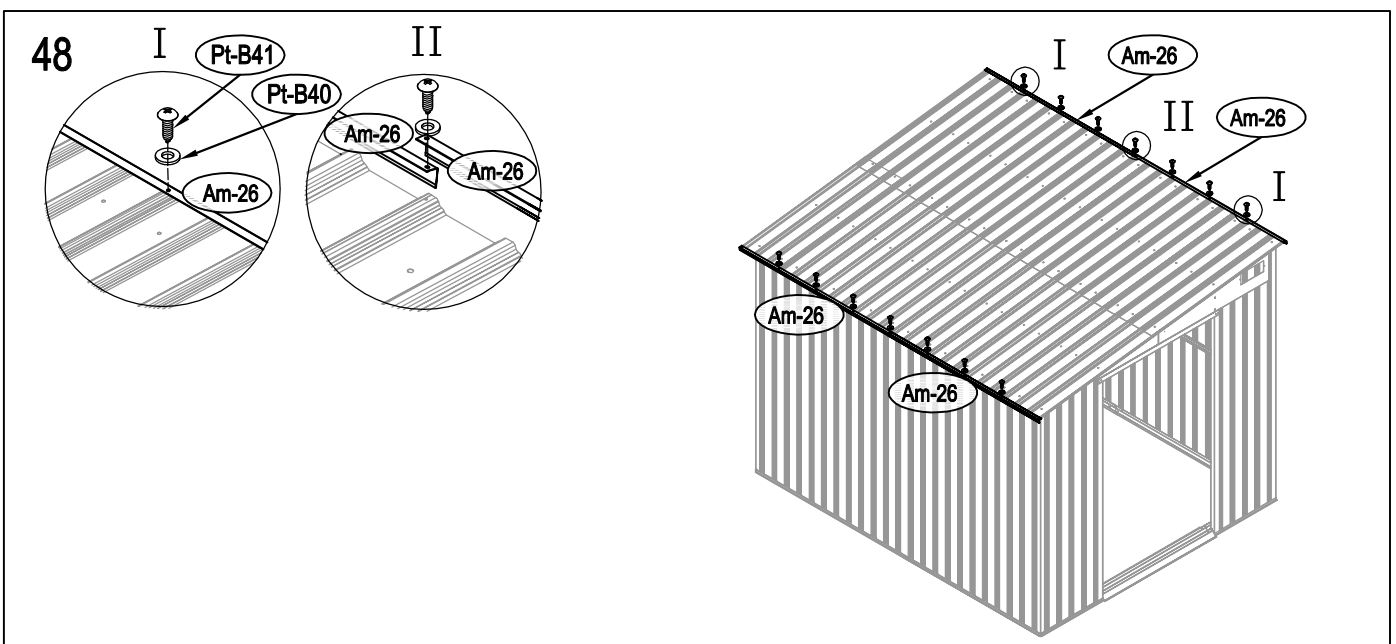
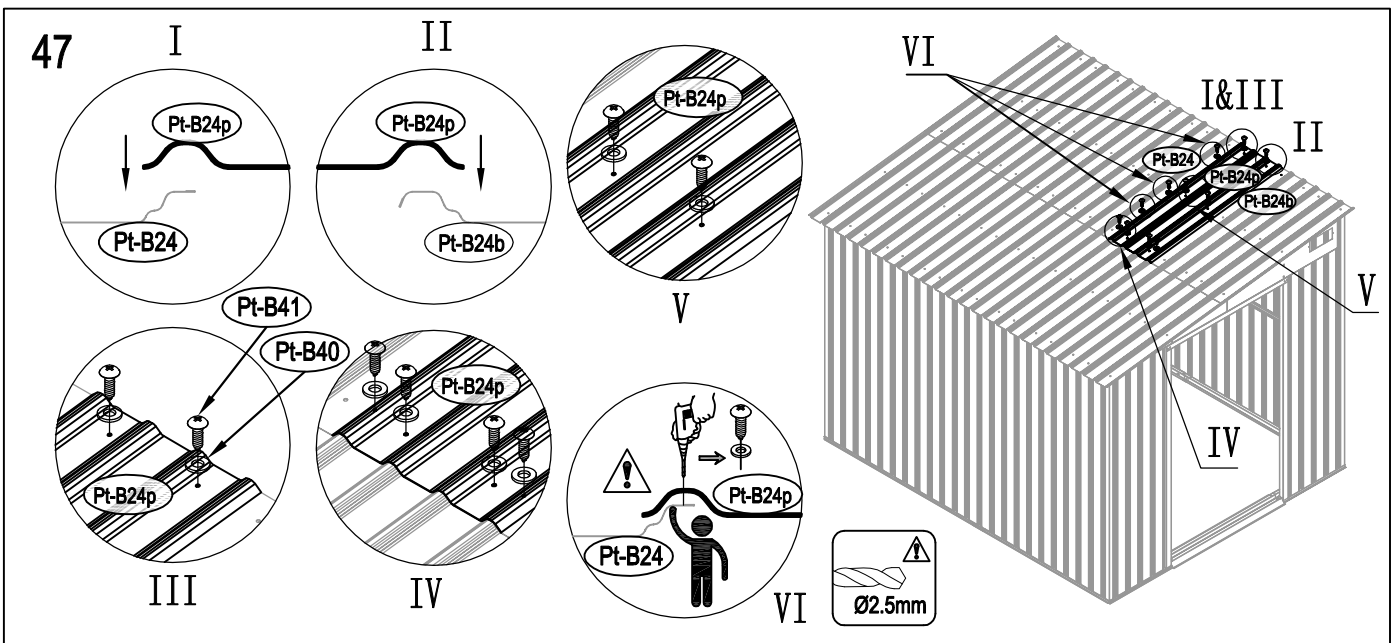
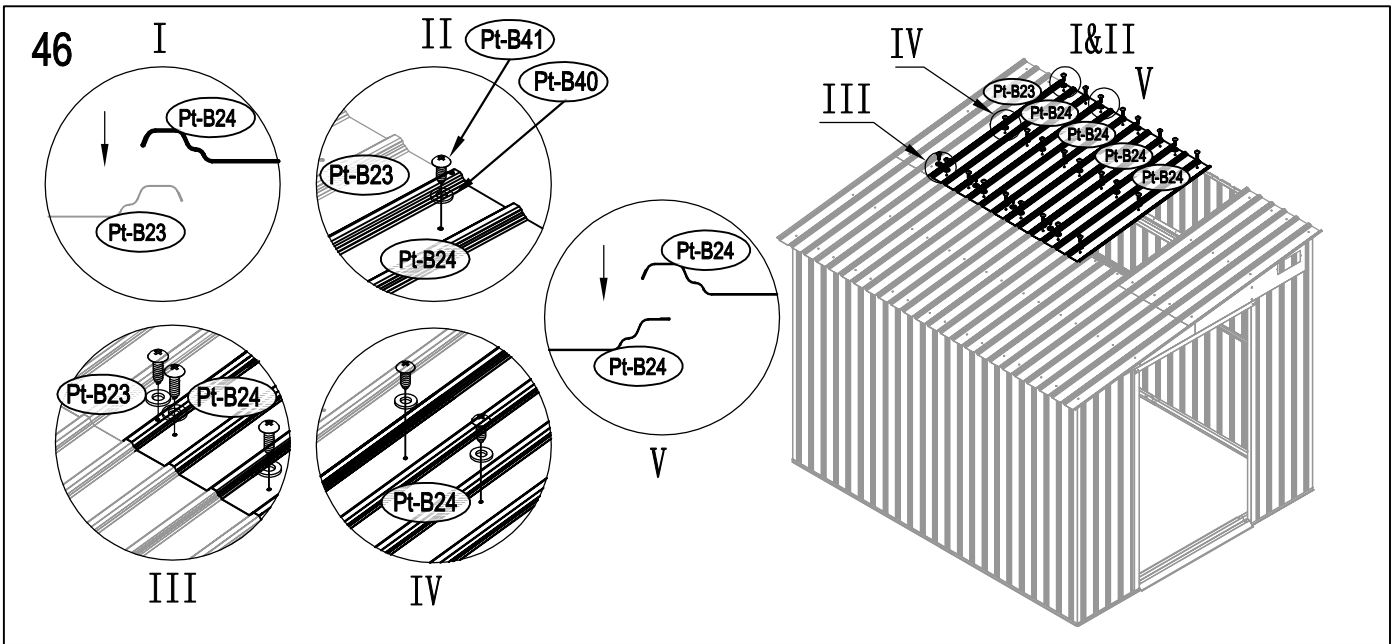


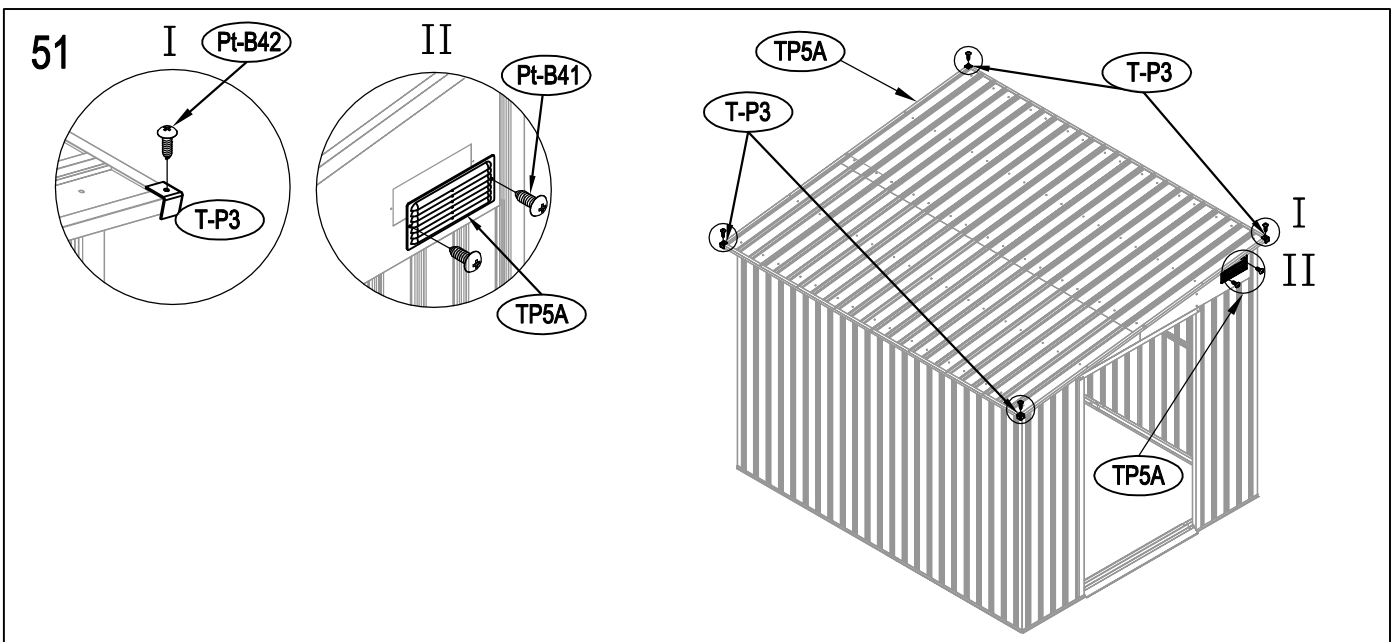
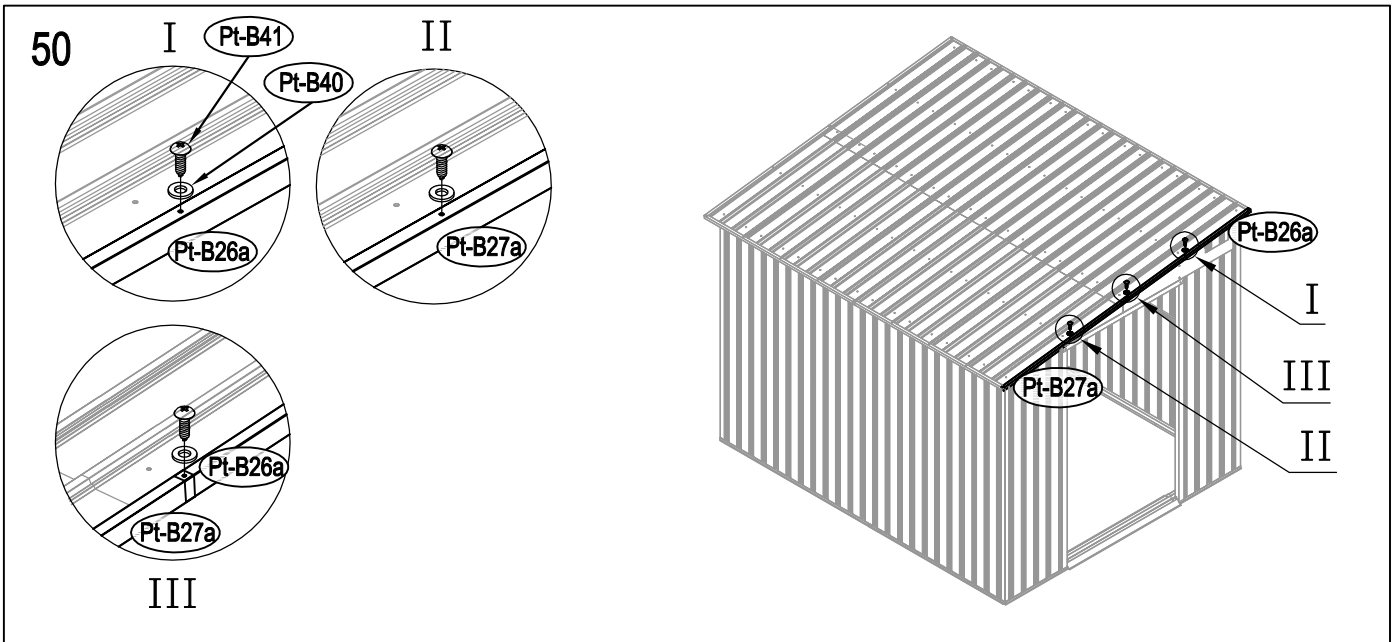
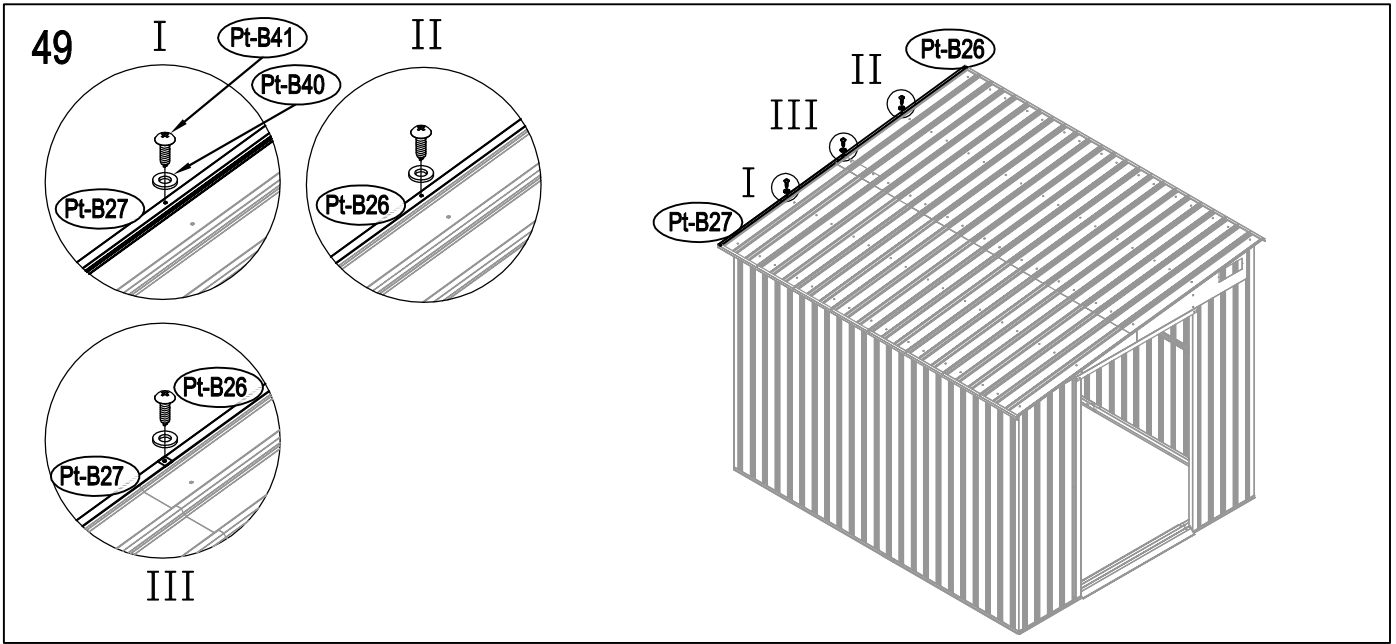




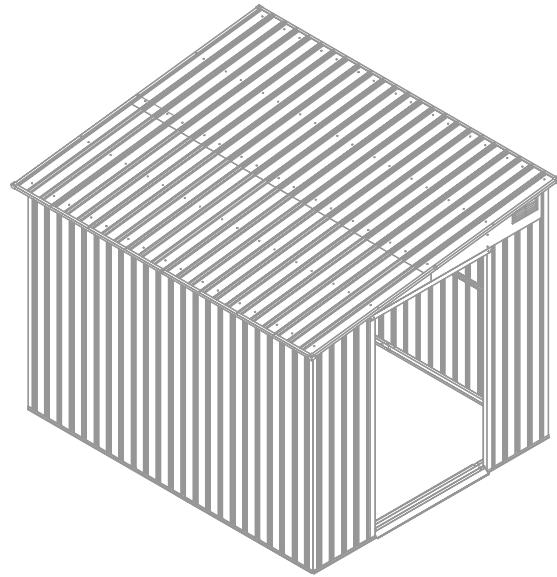
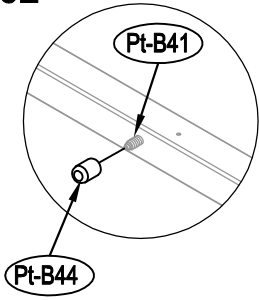




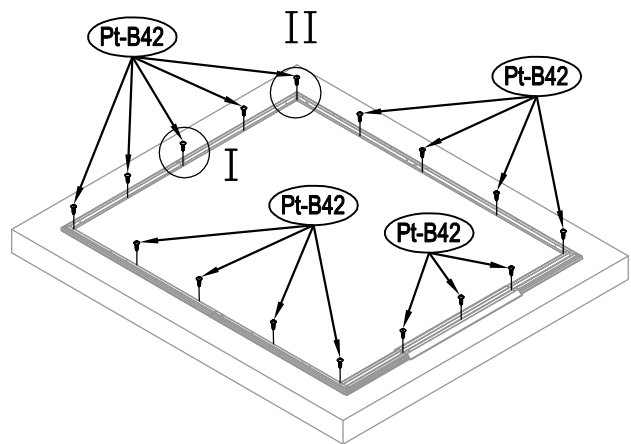
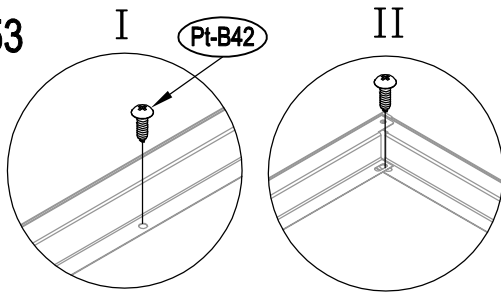


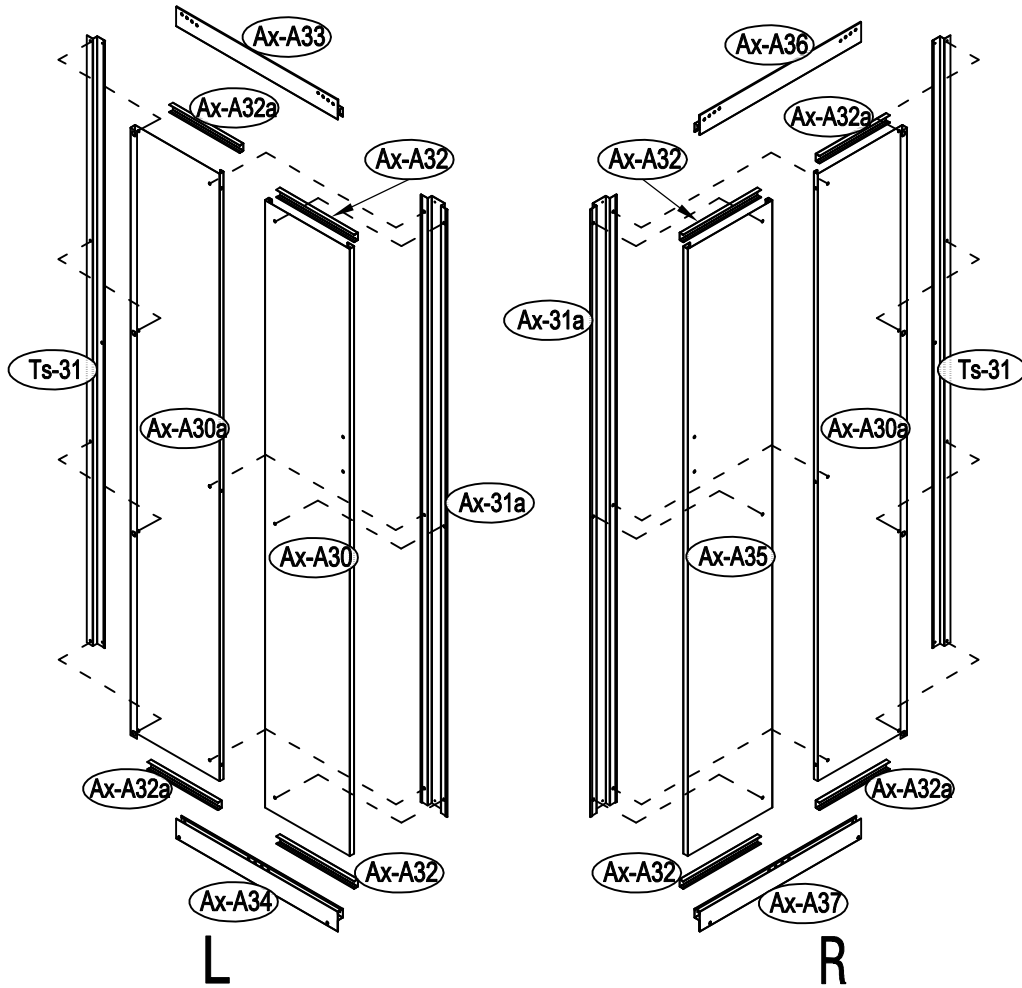


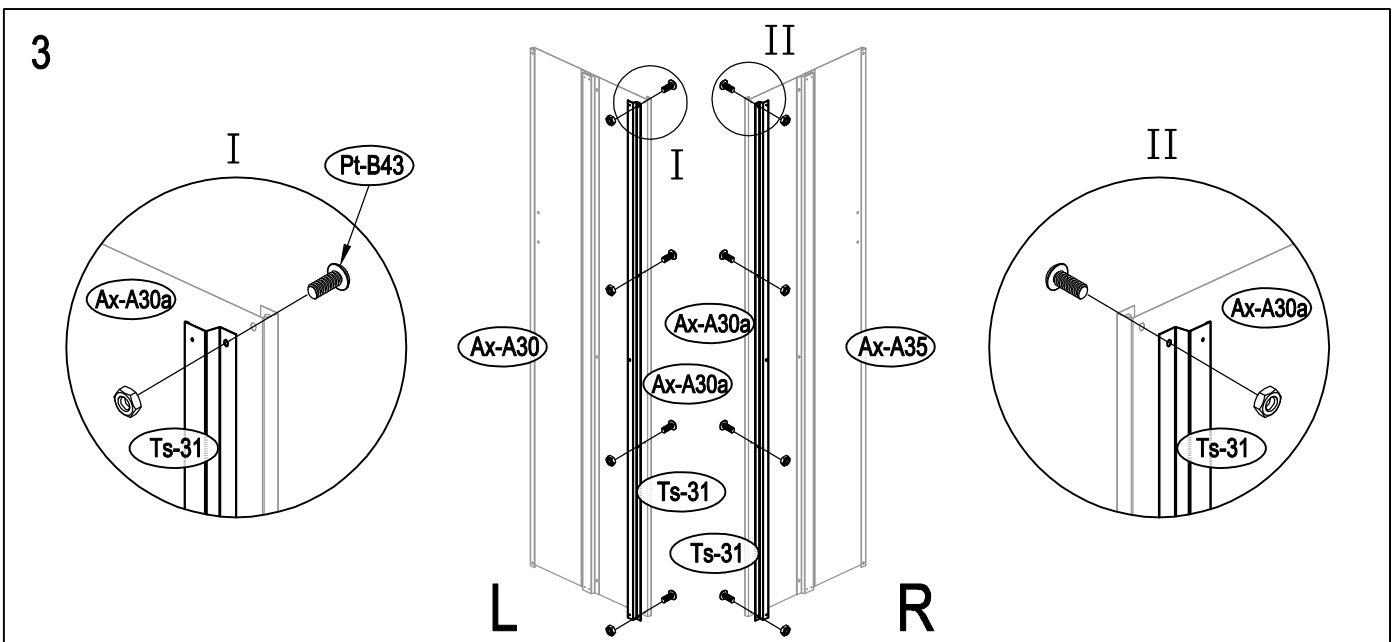
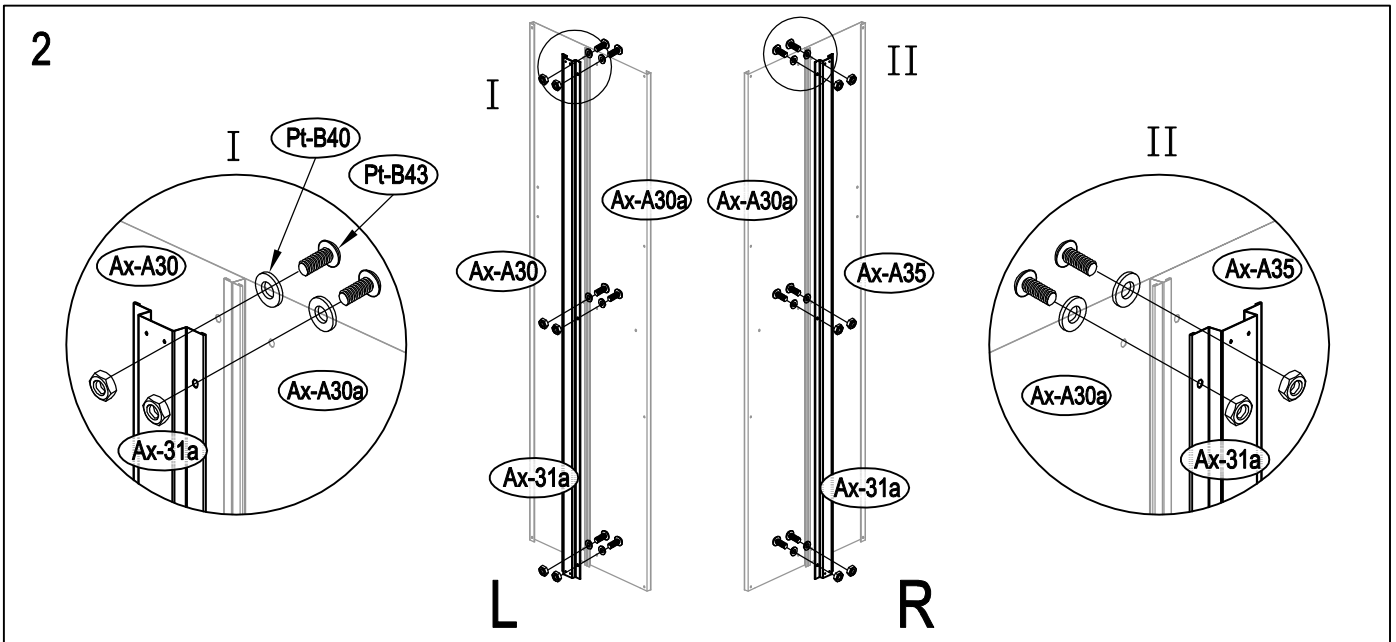
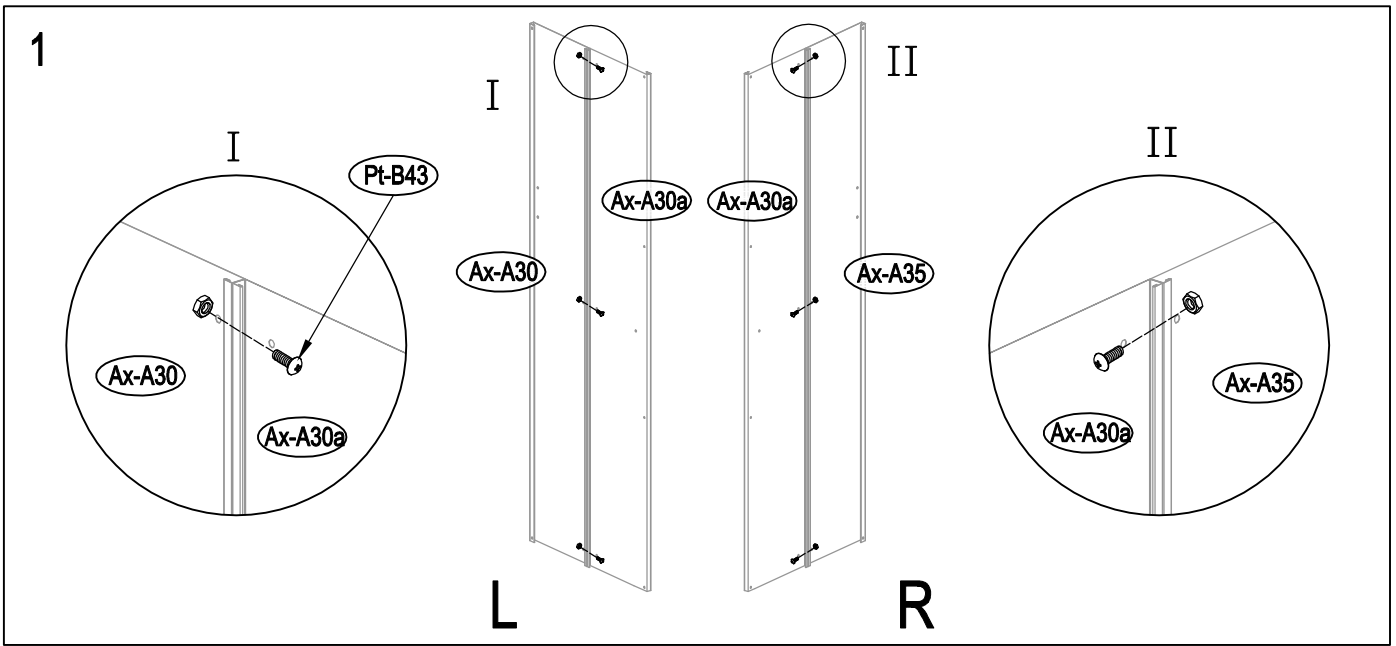
52

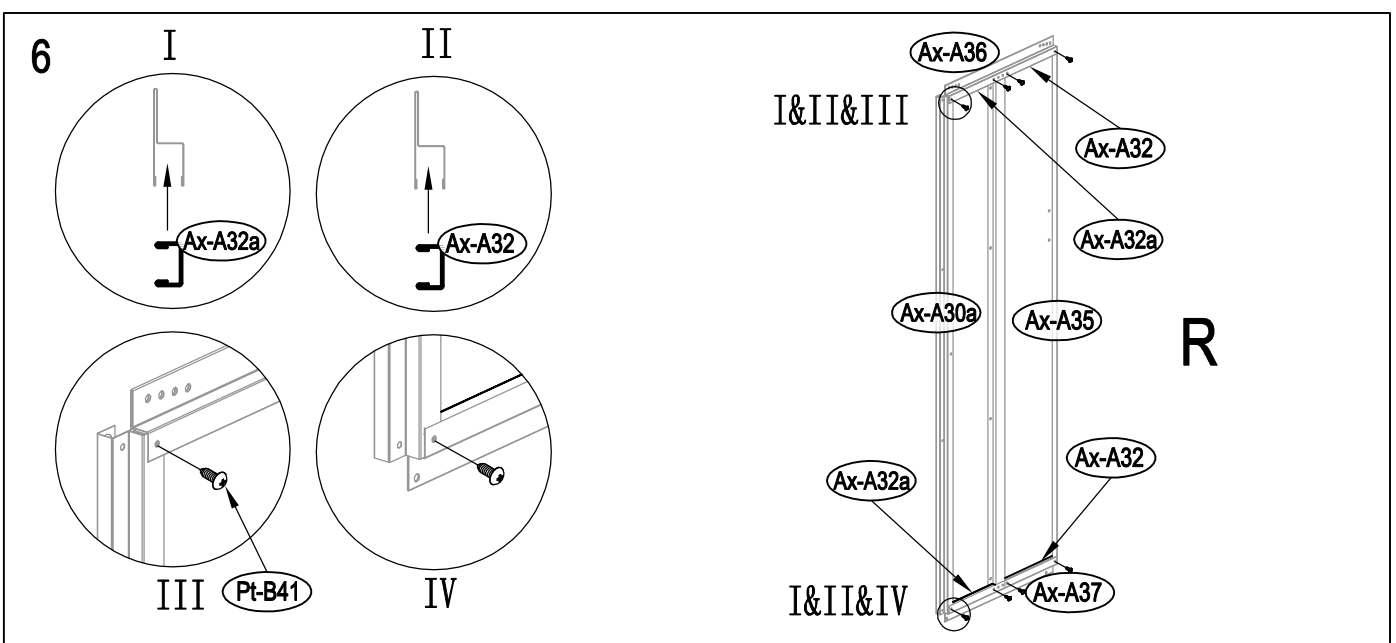
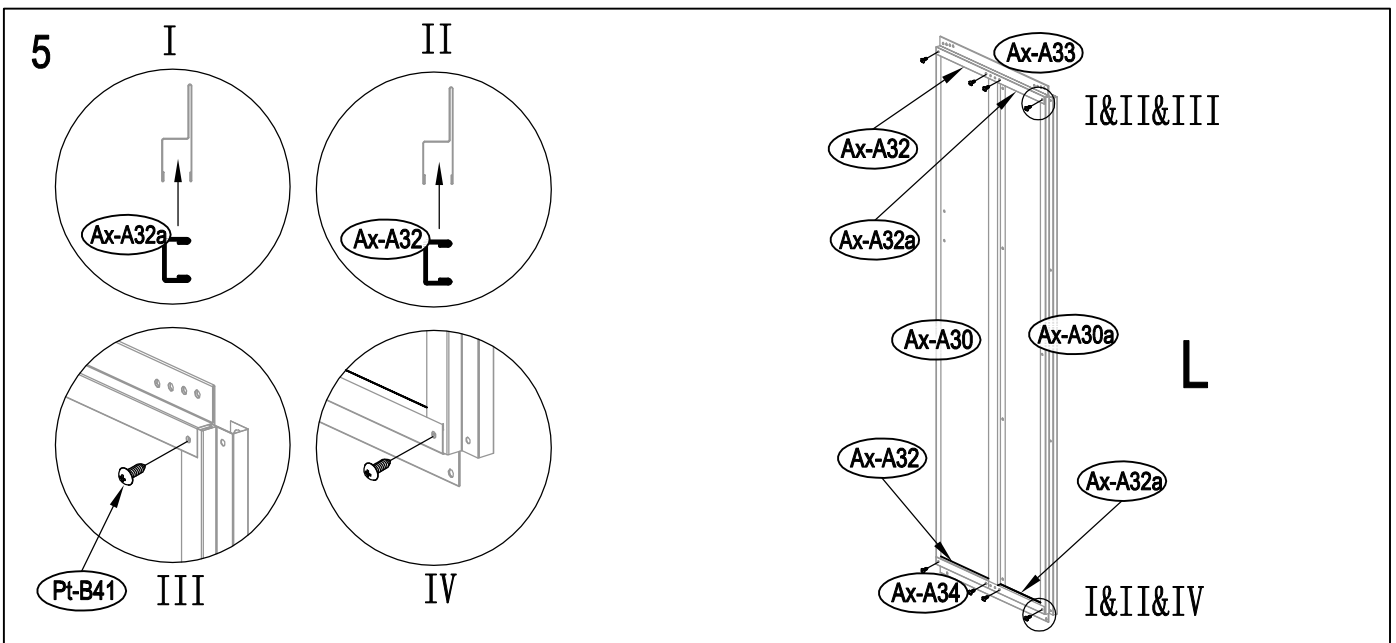
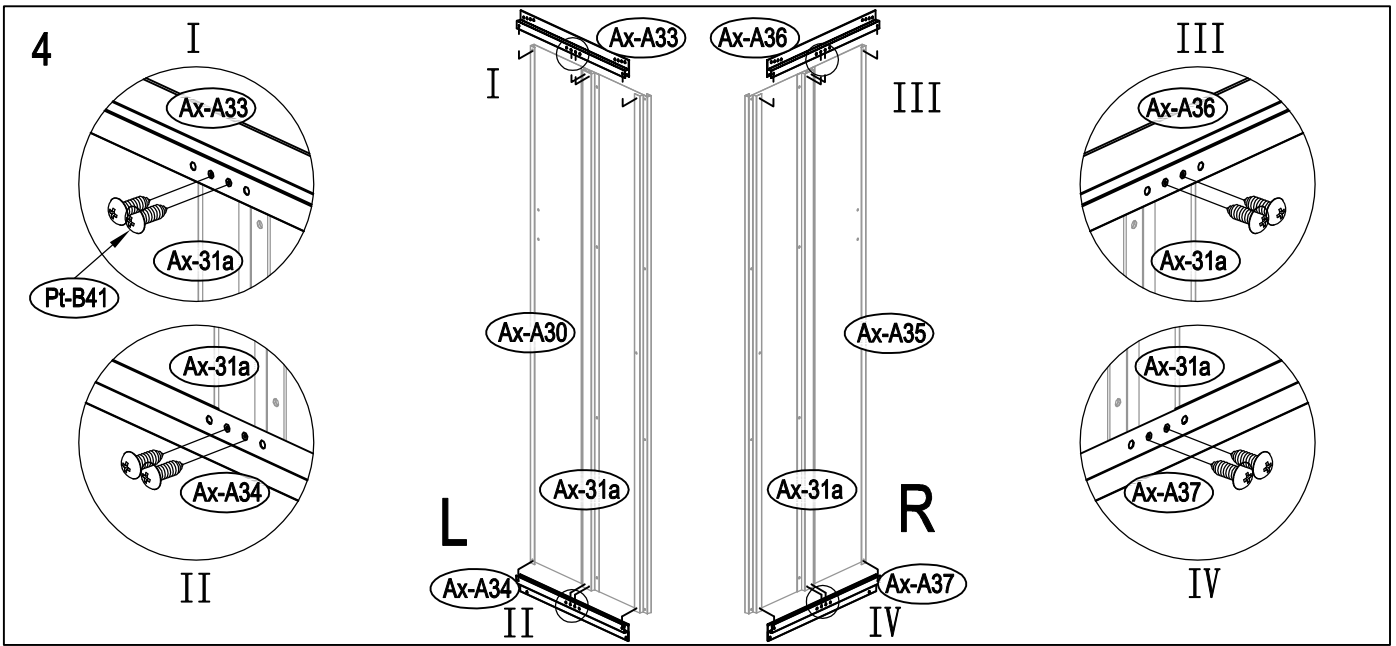


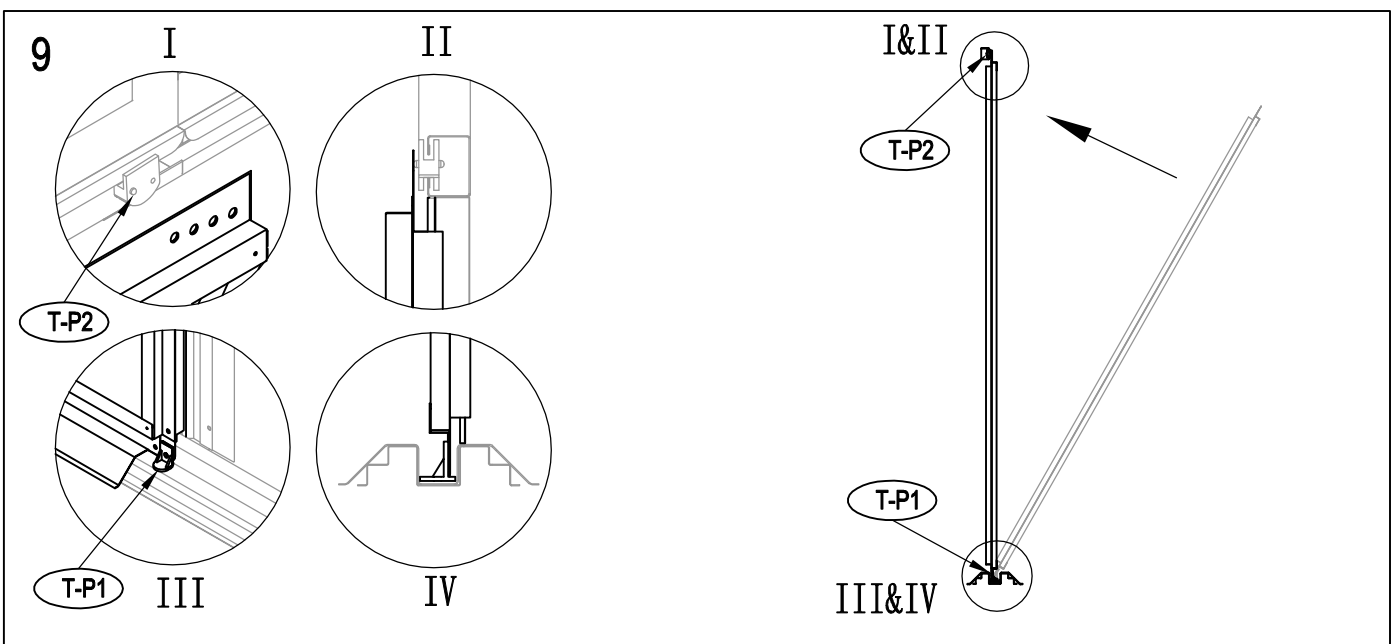
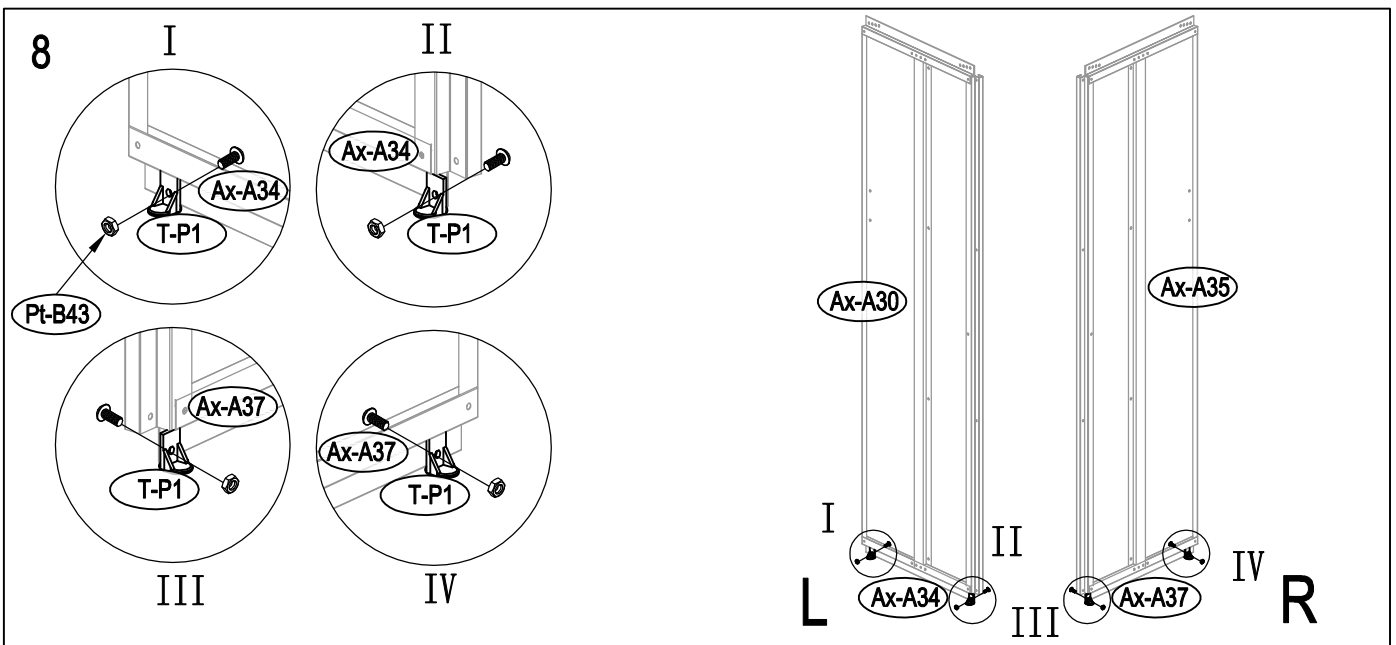
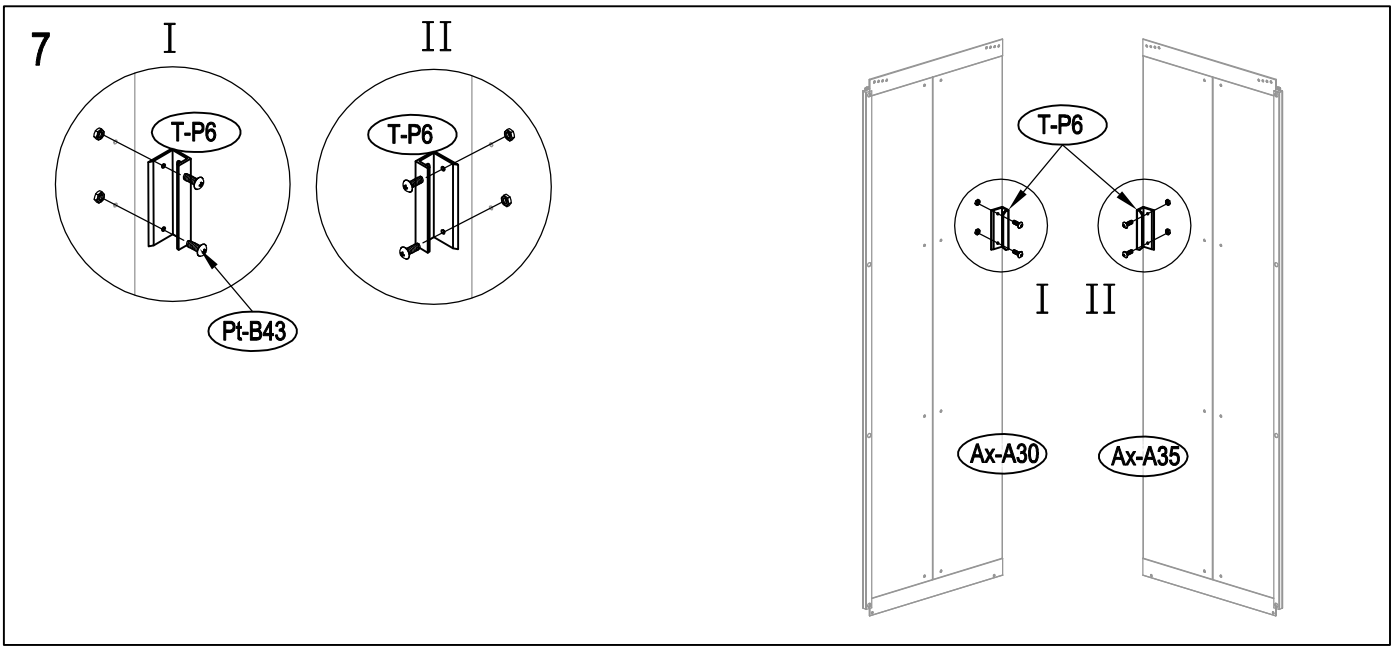
53

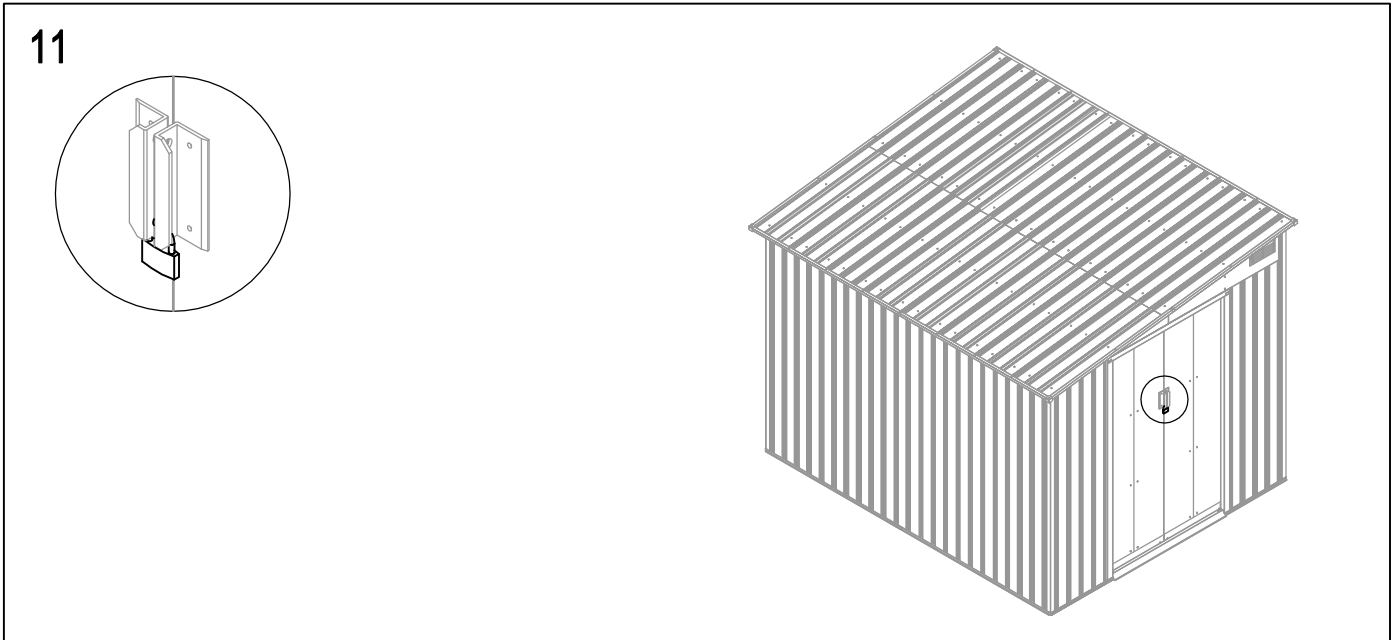
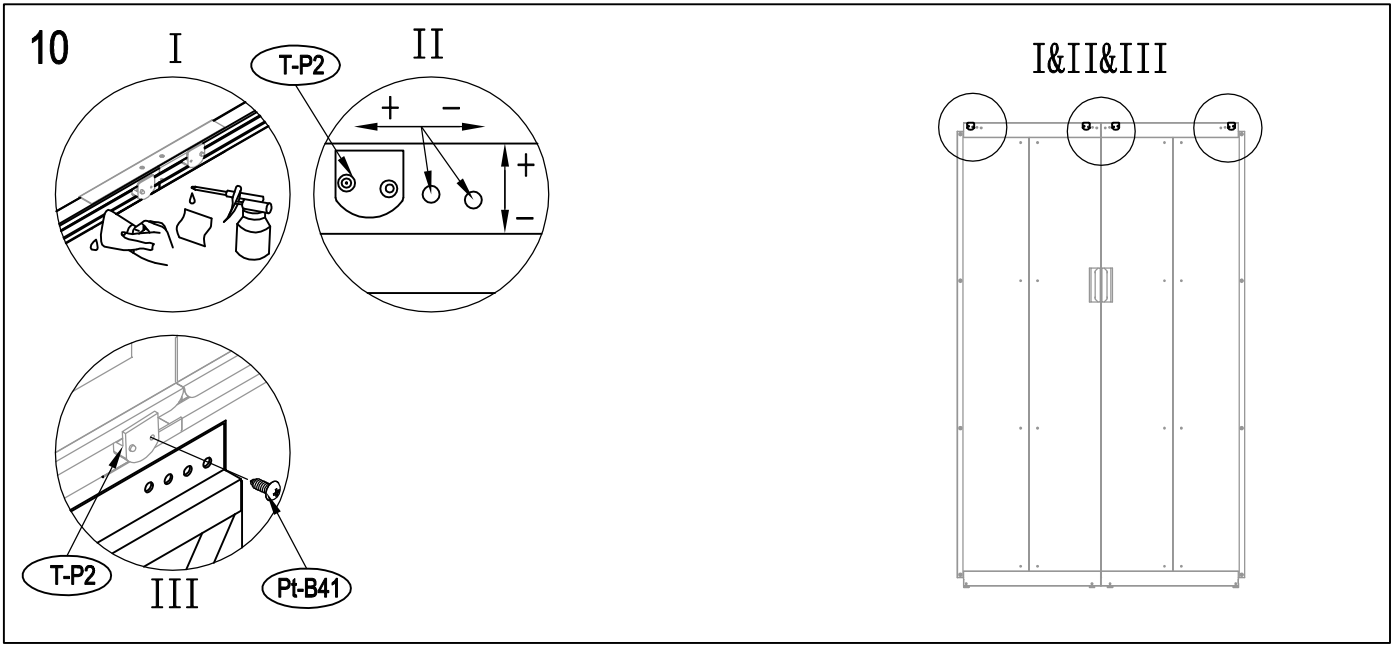










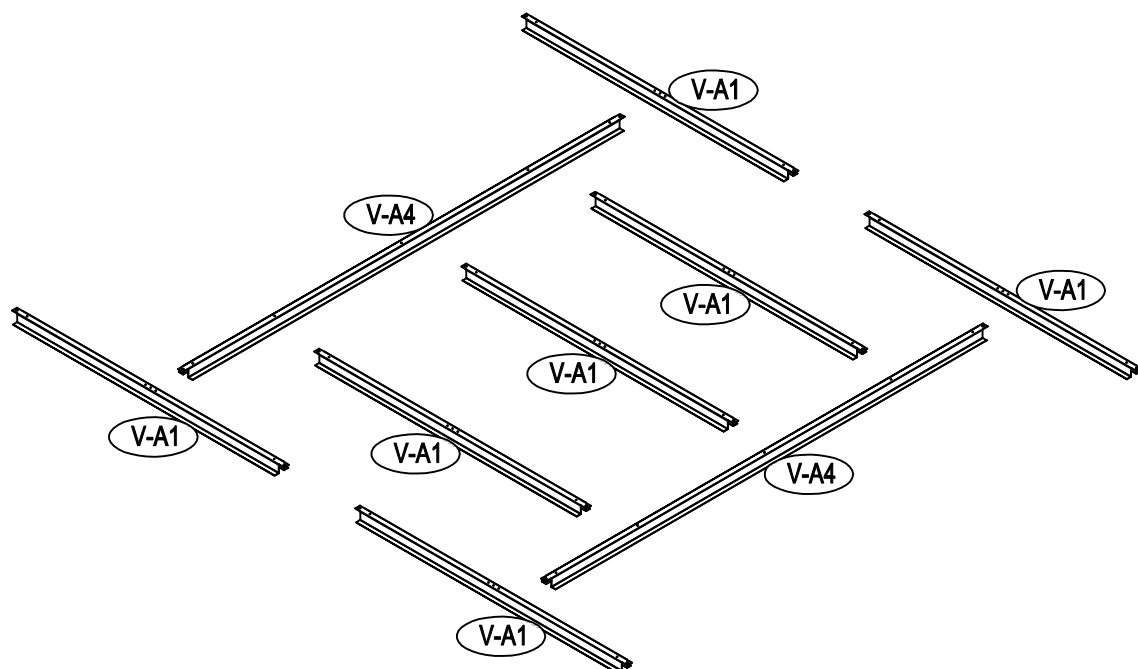


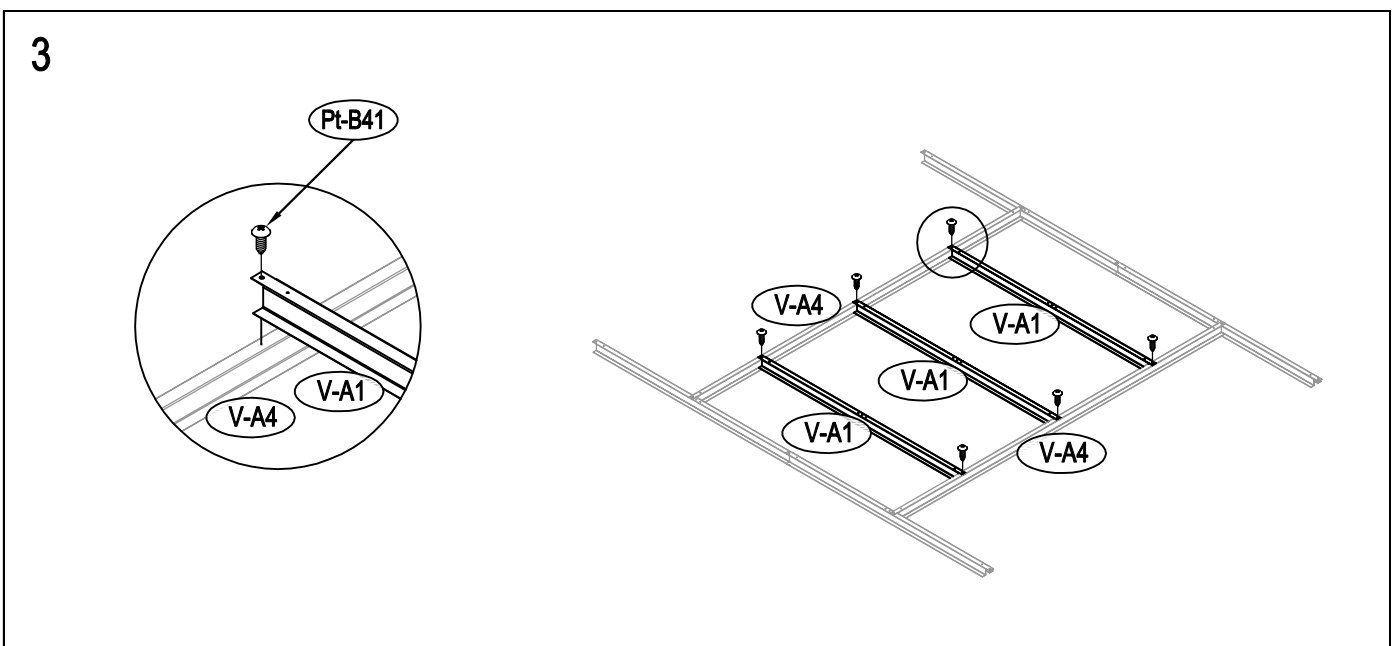
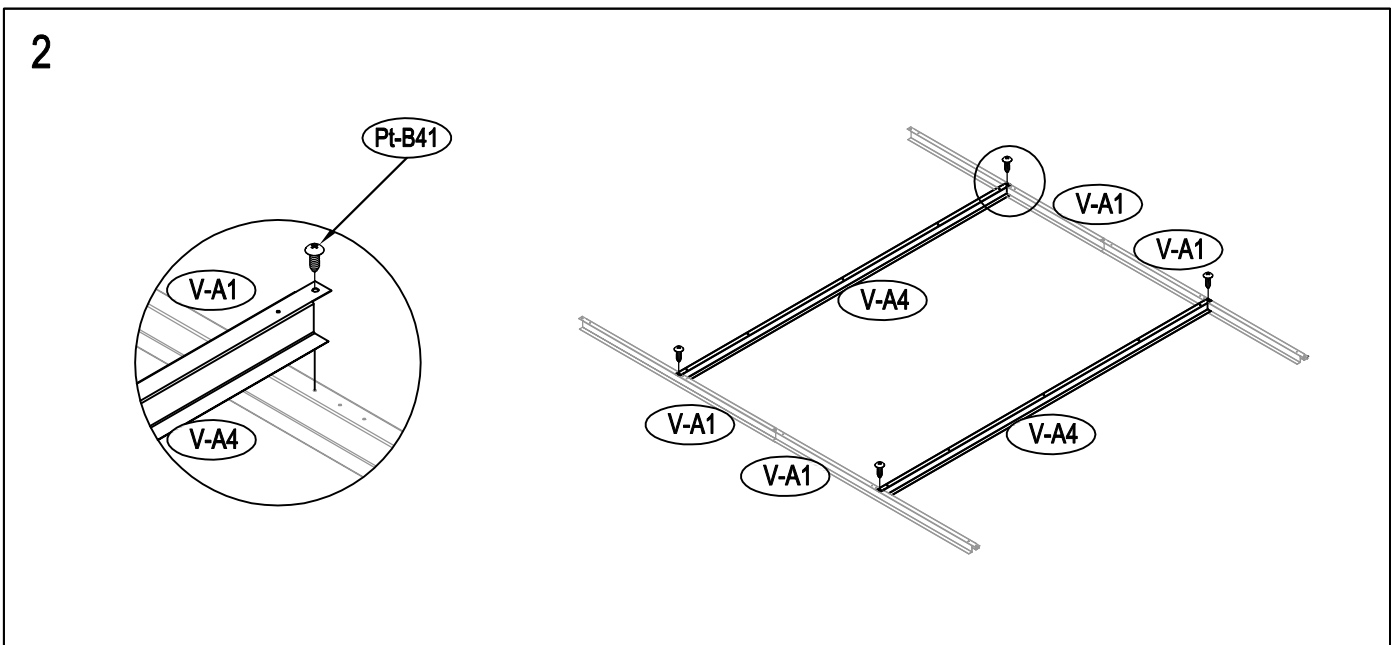
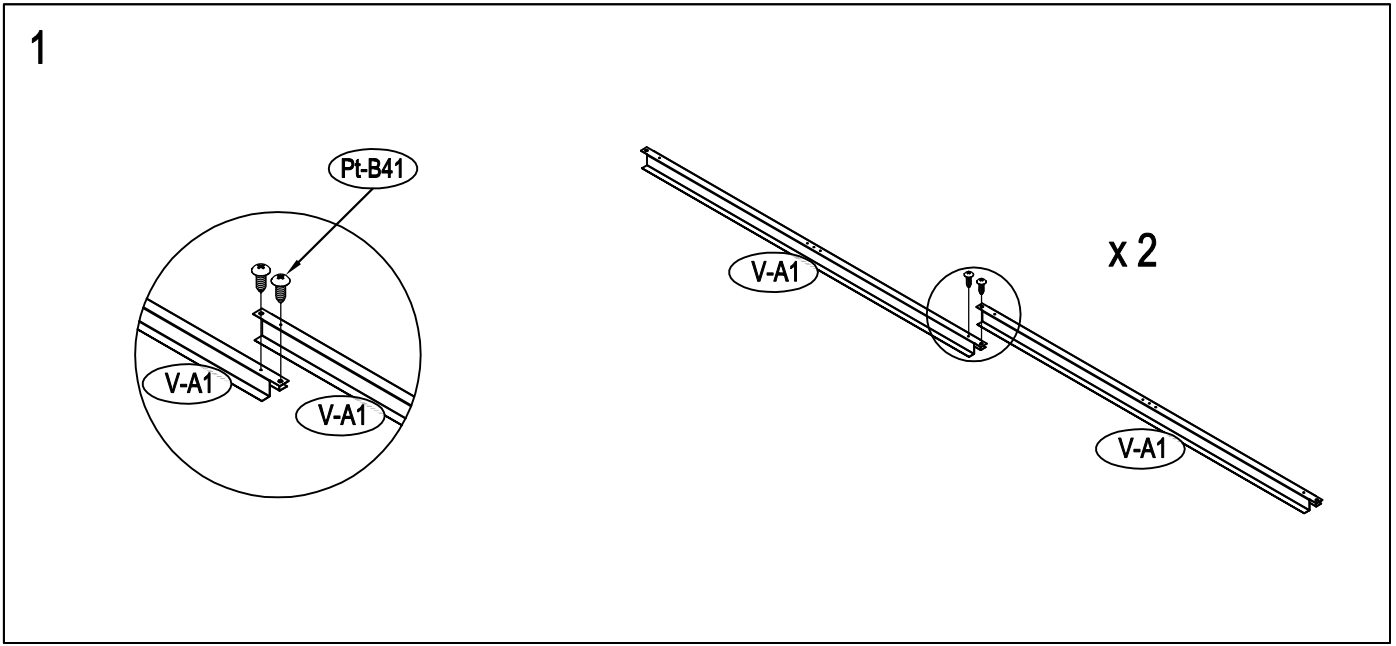
Foundation Kit Assembly Instructions

The foundation kit can be used as base for plywood, sand or stone.
PLEASE NOTE: Decking material and Self Drilling Screws for flooring are not supplied, the owner can buy them locally.

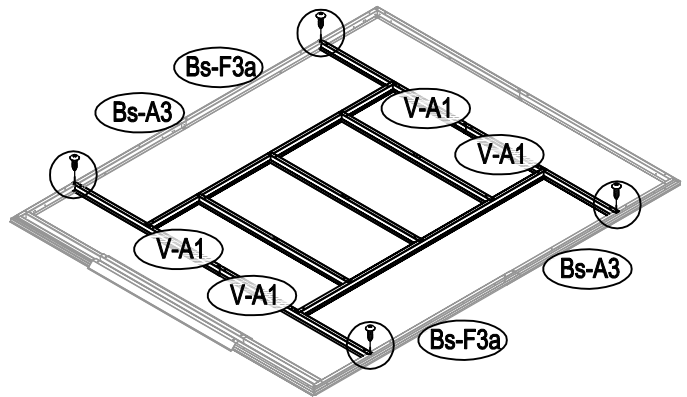
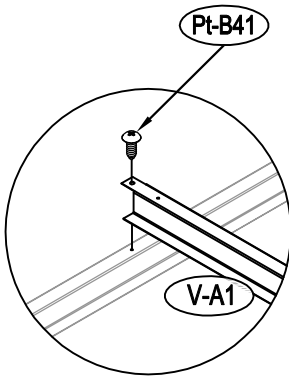
Before You Begin:

1. **SAFETY FIRST:** Care must be taken when handling various pieces of your kit since some contain sharp edges. Please always wear work gloves (2 pairs of gloves are provided with the shed for safe construction), eye protection and long sleeves when assembling or performing any maintenance on your kit.
2. **GROUND MUST BE LEVEL!** Be sure foundation kit frames lie flat on ground. To prepare the earth bed, remove sod and other organic debris, level the high spots with a flat shovel, and tamp the bed down.
3. **DO NOT STEP ON CHANNELS** until flooring material is in place!
4. Be sure all the parts fit together properly before proceeding.





4



Plywood Flooring

NOTE: Decking material and self drilling screws for flooring are not supplied, the owner can buy them from local stores.

A) Plywood Flooring:

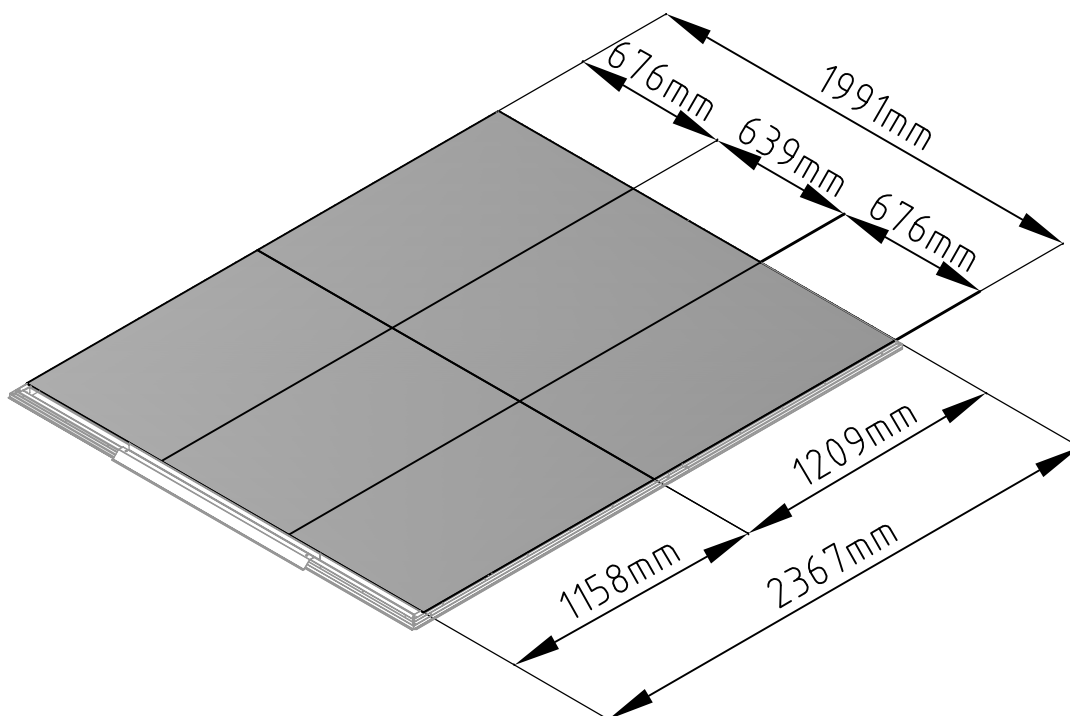
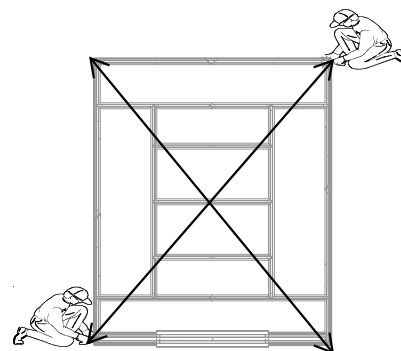
Recommended minimum thickness:
16mm (5/8"), **Exterior Grade.**

NOTE: Pressure Treated Lumber **must not** be used because it may cause corrosion when in contact with metal shed.

B) 25-35mm long self drilling screws to secure Plywood Flooring.

Recommended dimensions for plywood flooring		
Image	mm	Qty
	676x1209x16	2
	639x1209x16	1
	676x1158x16	2
	639x1158x16	1
	st4.2x25~35	28

1. Make sure the foundation kit frames are square and level .
2. Cut Plywood to recommended dimensions.



3. Fasten Plywood to foundation kit frames with self drilling screws .

