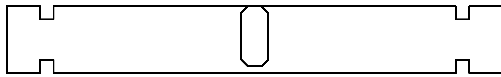
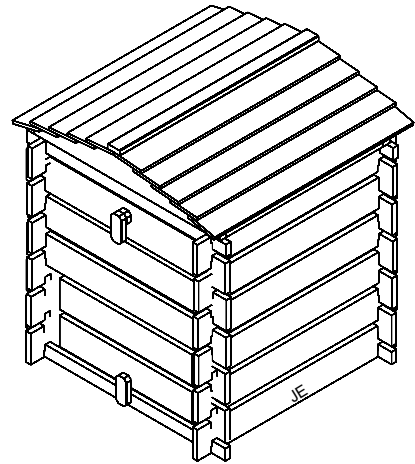


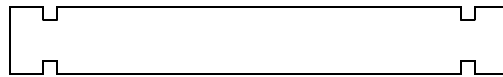
IMPORTANT, RETAIN FOR FUTURE REFERENCE: READ CAREFULLY. 0110

Thank you for choosing this product manufactured by the UK's largest manufacturer of timber garden products. In order to gain the most benefit from it, please note the following:

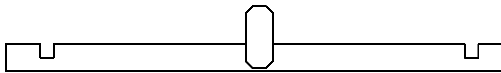
- Exercise particular care and follow instructions.
- This product is pressure treated to ensure longevity of all timber components and protect against rot. This may leave a colour difference on some parts that will even out as the moisture content stabilises.
- Please ensure that you thoroughly check all component parts for quantity and quality before you commence building the product. If there are any missing parts, please contact the help line as shown immediately. The manufacturer cannot be held liable for damaged items once any part of the product has been fitted or altered in any way (e.g. Painted)
- Timber is a natural material. It will shrink and swell as a result of varying moisture content.
- Please keep all plastic bags and small parts away from children in order to reduce the risk of suffocation.
- If there are any technical queries with the product, please contact our customer help line on 0844 248 9853 between the hours of 8.30 am and 5.00 pm Monday to Friday.



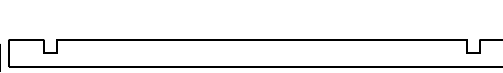
FLB (FRONT LATCH BOARD) QTY 1



LNB (LARGE NOTCHED BOARD) QTY 19



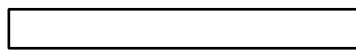
BLB (BOTTOM LATCH BOARD) QTY 1



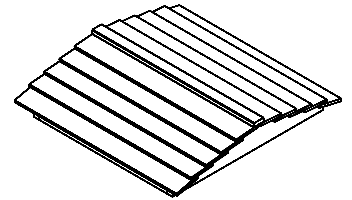
NB (NOTCHED BOARD) QTY 3



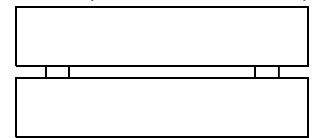
SNB (SMALL NOTCHED BOARD) QTY 4



B1 (390mm BATTEN) QTY 2

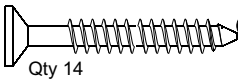


SBHRF (BEEHIVE ROOF) QTY 1



BHDR (BEEHIVE DOOR) QTY 1

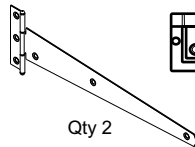
(FIXING PACK) SBHFP



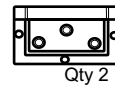
30mm



20mm



Qty 2



Qty 1

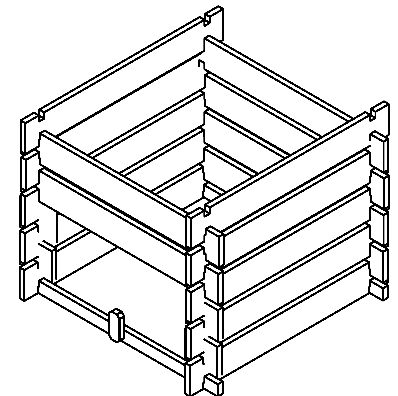
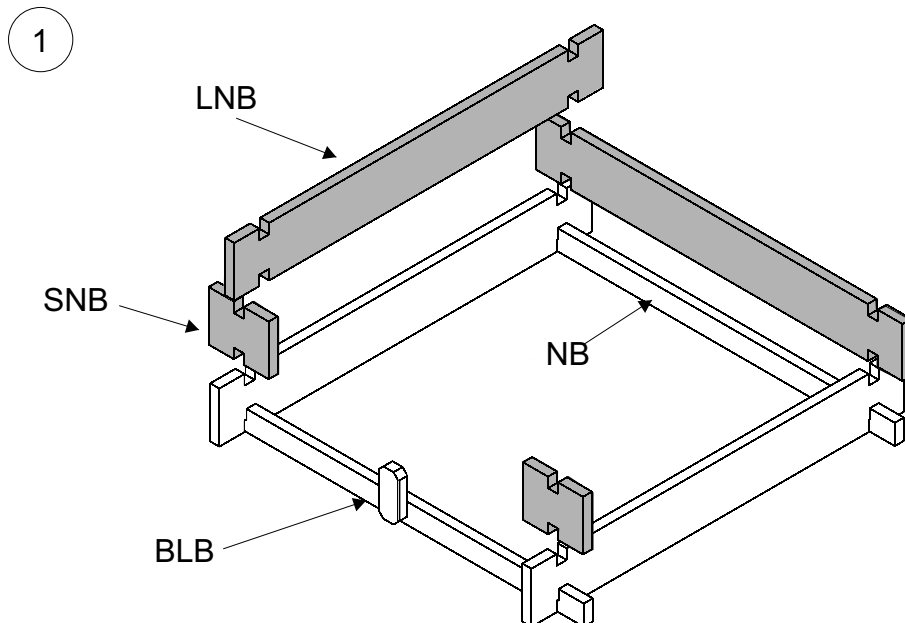
REQUIRED TOOLS : (NOT SUPPLIED)

POZI DRIVE SCREWDRIVER

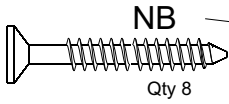
SPIRIT LEVEL

TAPE MEASURE

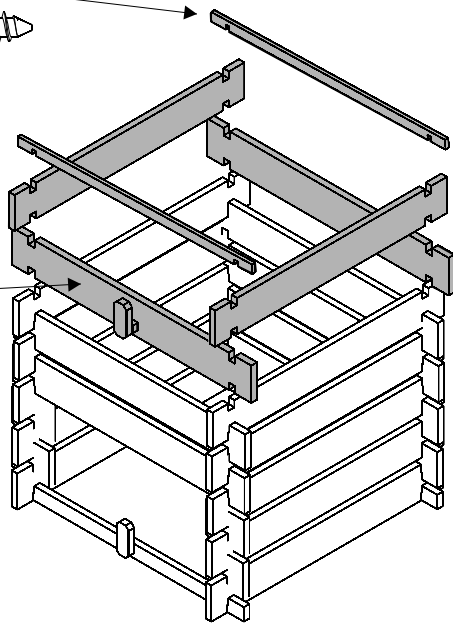
HAMMER



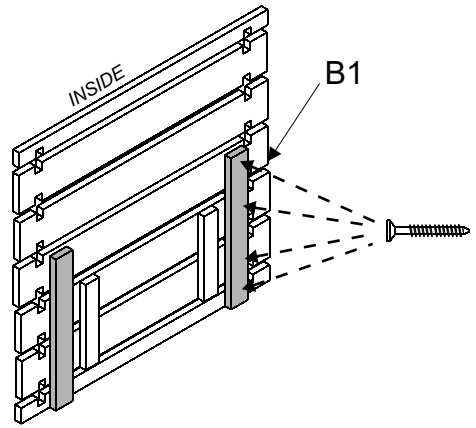
2



TLB



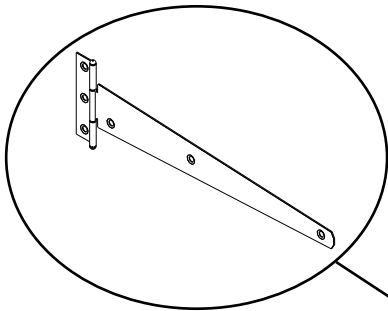
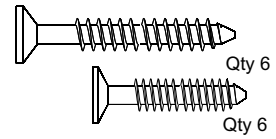
LNB



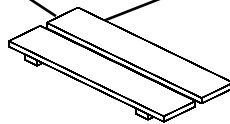
INSIDE

B1

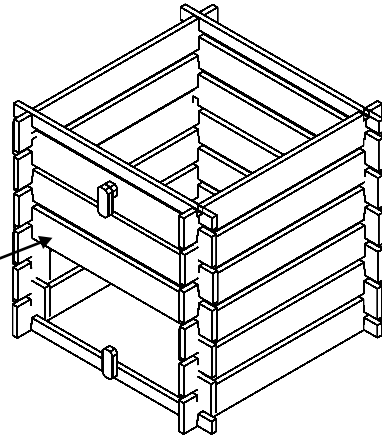
3



LNB



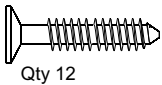
BHDR



Fix the two tee hinges to the beehive door 3 x 30mm screws per hinge, making sure that they locate into the battens.

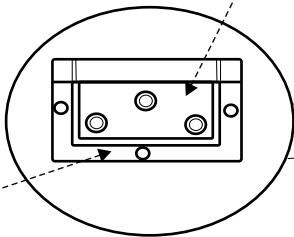
Position the door and fix two the large notched board (LNB) using 3 x 20mm screws per hinge.

4

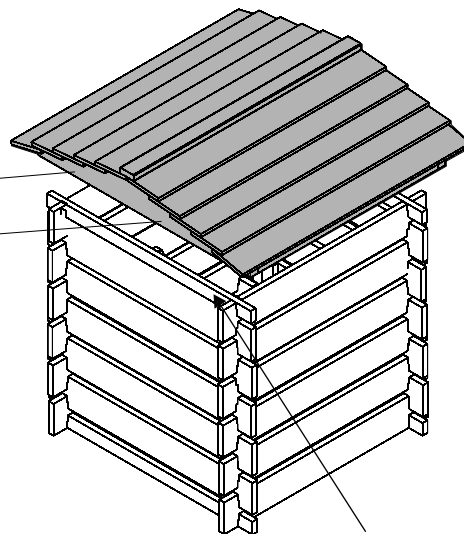


Fix to lid

Fix to board



SBHCRF



NB

Fix the two hinges to the roof using 3 x 20mm screws. Make sure that the hinges are spaced evenly. Place the roof on to the composter and secure the other half of the hinges to the notched board using another 3 x 20mm screws for each.