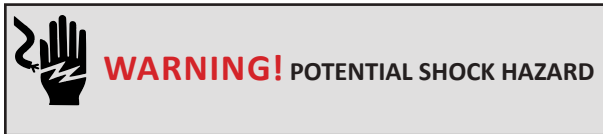


PRO285E



This appliance is rated for
220-240 VAC – 50/60 Hz
2200 W



WARNING! Failure to follow the instructions in this manual could result in fire or burn hazard which could cause property damage, personal injury or death. Read and follow all warnings and instructions in this manual prior to operating grill.



WARNING!

- For Outdoor Household Use Only
- When using powered appliances, basic safety precautions, including the following, should always be followed to reduce the risk of fire, electric shock, personal injury and material damage.
- Retain this manual for future reference.



N415-0478W JAN 20.21

Wolf Steel Europe BV
De Riemsdijk 22, 4004 LC, Tiel
The Netherlands
eu.info@napoleon.com

www.napoleon.com

EN

FR
PG.13

NL
PG.25

DE
PG.37

NO
PG.49

DK
PG.61

SE
PG.73

IT
PG.85

Napoleon President's 10 Year Limited Warranty



NAPOLEON products are designed with superior components and materials, and are assembled by trained craftsmen who take great pride in their work. This grill has been thoroughly inspected by a qualified technician before packaging and shipping to ensure that you, the customer, receive the quality product you expect from NAPOLEON.

NAPOLEON warrants that components in your new NAPOLEON product will be free from defects in material and workmanship from the date of purchase, for the following period:

Aluminum castings / stainless steel base	10 years
Porcelain-enameled grease shield	5 years full coverage, plus 50% off until the 10th year
Porcelain-enameled cast iron cooking grids	5 years full coverage, plus 50% off until the 10th year
Heating element and thermostat	2 years
All other parts	2 years

*Conditions and Limitations

This Limited Warranty creates a warranty period as specified in the aforementioned table, for any product purchased through an authorized NAPOLEON dealer, and entitles the original purchaser to the specified coverage in respect of any component replaced within the warranty period, either by NAPOLEON or an authorized NAPOLEON dealer, to replace a component of such product that has failed in normal private use as a result of a manufacturing defect. The "50% off" indicated in the table means the component is made available to the purchaser at a 50% discount off the regular retail price of the component for the period indicated. This Limited Warranty does not cover accessories or bonus items.

For greater certainty, "normal private use" of a product means that the product: has been installed by a licensed, authorized service technician or contractor, in accordance with the installation instructions included with the product and all local and national building and fire codes; has been properly maintained; and has not been used as a communal amenity or in a commercial application.

Similarly, "failure" does not include: over-firing, blow outs caused by environmental conditions such as strong winds or inadequate ventilation, scratches, dents, corrosion, deterioration of painted and plated finishes, discoloration caused by heat, abrasive or chemical cleaners or UV exposure, chipping of porcelain enameled parts, or damages caused by misuse, accident, hail, grease fires, lack of maintenance, hostile environments such as salt or chlorine, alterations, abuse, neglect or parts installed from other manufacturers.

Should deterioration of parts occur to the degree of non-performance (rusted through or burnt through) within the duration of the warranted coverage, a replacement part will be provided. The replacement component is the sole responsibility of NAPOLEON defined by this Limited Warranty; in no event will NAPOLEON be responsible for installation, labor or any other costs or expenses related to the re-installation of a warranted part, for any incidental, consequential, or indirect damages or for any transportation charges, labor costs or export duties.

This Limited Warranty is provided in addition to any rights afforded to you by local laws. Accordingly, this Limited Warranty imposes no obligation upon NAPOLEON to keep parts in stock. Based on the availability of parts, NAPOLEON may at its discretion discharge all obligations by providing a customer a prorated credit towards a new product. After the first year, with respect to this Limited Warranty NAPOLEON may, at its discretion, fully discharge all obligations with respect to this warranty by refunding to the original warranted purchaser the wholesale price of any warranted but defective part(s).

The bill of sale or copy will be required together with a serial number and a model number when making any warranty claims from NAPOLEON.

NAPOLEON reserves the right to have its representative inspect any product or part prior to honoring any warranty claim. You must contact NAPOLEON Customer Service or an authorized NAPOLEON dealer to obtain the benefit of the warranty coverage.



www.napoleon.com



WARNING! Read all instructions prior to operating.

Safe Operating Practices

- Use this grill only as described in this manual. Any other use not recommended in this manual may cause fire, electric shock, or injury to persons.
- This grill is intended for outdoor household use only. Do not use indoors or for commercial cooking.
- Do not in any way alter this product or its use.
- Do not use charcoal or other combustible fuels in this grill. This grill is not designed for charcoal use and a fire could result. The fire could create an unsafe condition and damage to the grill.
- Do not build this model of grill in any built-in or slide-in construction. Ignoring this warning could cause a fire or an explosion that may damage property or cause serious bodily injury or death.

Electrical Safeguards:

- This appliance conforms to technical standards and the safety requirements for electrical devices.
- Always ensure that the electrical outlet being used has the correct voltage according to the input power of the appliance. Outlets must also be suitable for equipment with a power consumption of 2200 Watts.
- Make sure no other high wattage appliances are plugged into the same circuit when using grill.
- The appliance should be connected to an outlet having an earthing contact.
- The electricity supply should be provided through a residual current device (RCD) having a rated residual operating current not exceeding 30 mA.
- Do not operate unit if plug receptacle is damaged.
- The power cord should be regularly examined for signs of damage, and the appliance is not to be used if the cord is damaged.
- Do not operate the grill with a temperature controller that has a damaged cord or plug. If the supply cord is damaged, it must be replaced by a special assembly available from Napoleon or a Napoleon authorized dealer.
- If using an extension cord, it must be designed for outdoor use and rated for the input power required by the appliance.
- Do not connect two or more extension cords together.

Safe Operation:

- Always plug the temperature controller into the grill before plugging the power cord into the outlet. When removing the temperature controller from the grill, unplug it from the outlet first.
- Pulling controller by the knob could cause it to come off. Remove temperature controller by gripping on its side.
- If a flare up occurs, do not use water to put out fire. Turn the grill to OFF. Unplug the power cord and wait for the grill to cool.
- Keep the plug and cord dry when in use. Do not use the electric grill in the rain.
- Operate grill only on a level, stable surface.
- Do not allow cord to touch grill when it is hot.
- The grease tray must be in place at all times during grill operation.
- Do not move the grill while it is in use.
- Do not leave grill unattended whenever in use.
- Keep young children, elderly and pets away while the grill is in use. Children must not play with the appliance.
- This appliance can be used by children aged from 8 years and above and persons with reduced physical, sensory or mental capabilities or lack of experience and knowledge if they have been given supervision or instruction concerning use of the appliance in a safe way and understand the hazards involved.
- Children should be supervised if cleaning and maintaining the grill.
- Do not use grill near combustible materials such as wood, dry grass, shrubs, etc.
- Do not allow grill to come into contact with flammable materials such as paper, walls, draperies, towels, chemicals, etc.
- Do not use the grill in high traffic areas. Locate power cord away from traffic areas.
- To protect the barbecue, do not use the grill within 3 m / 10 feet of pool, pond or other body of water.
- Do not use as a heater.
- Allow the appliance to cool before moving or storing it.

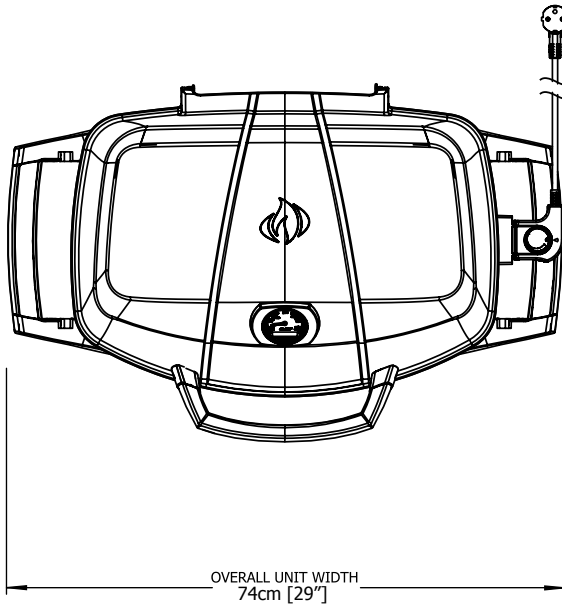
Cleaning:

- Clean the drip pan regularly.
- Do not immerse electrical components in water when cleaning.
- To protect against electrical shock, do not immerse plug, cord or temperature controller in water or any liquid.

Storage:

- Unplug the grill when not in use and keep the plug and cord dry.
- Do not leave temperature controller in the ON position during periods of non-use.
- Always store the temperature controller indoors when not in use.
- During long periods of non-use, remove the temperature controller from grill.

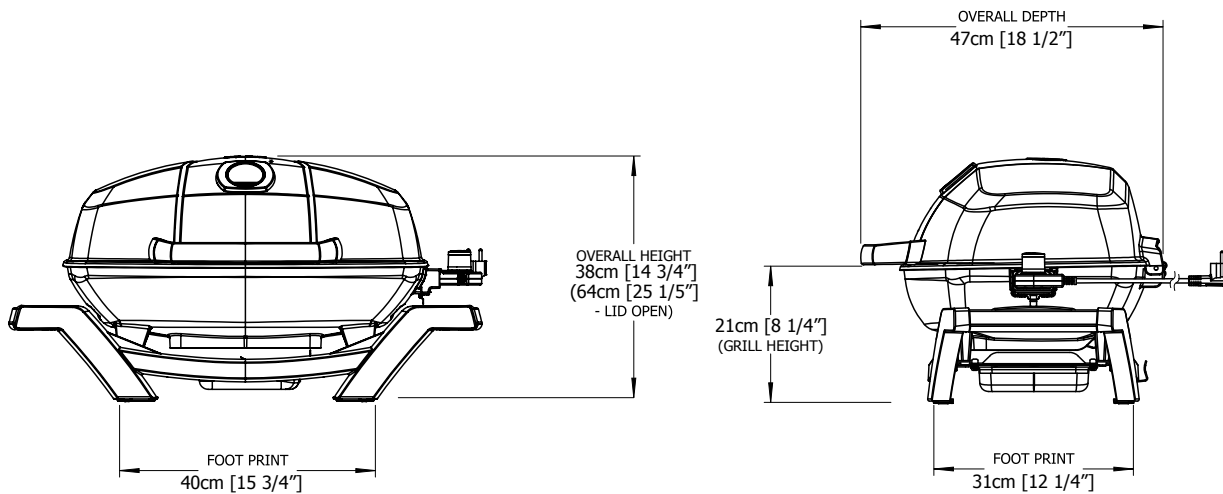
DIMENSIONS



PRO285E GRILL

GRILL SIZE: 37cm X 54cm (IRREGULAR) = 1840 cm² (14 1/2" X 21 1/4" (IRREGULAR) = 285 in²)

ALL DIMENSIONS ARE APPROXIMATE



CAUTION! During unpacking and assembly we recommended you wear work gloves and safety glasses for your protection. Although we make every effort to make the assembly process as problem free and safe as possible, it is characteristic of fabricated steel parts that the edges and corners might be sharp and could cause cuts if handled incorrectly.

Correct Disposal Of This Product



This marking indicates that this product should not be disposed with other household wastes throughout the EU. To prevent possible harm to the environment or human health from uncontrolled waste disposal, recycle it responsibly to promote the sustainable reuse of material resources. To return your used device, please use the return and collection systems or contact the retailer where the product was purchased. They can take this product for environmental safe recycling.

Cooking Instructions



WARNING! Do not use this grill under extended awnings. Failure to follow these instructions could result in a fire or personal injury.



DANGER! Allow the grill to cool to the touch before moving or storing. Failure to do so could result in a fire resulting in property damage, personal injury or death.

When lit for the first time, the grill will emit a slight odour. This is a normal temporary condition caused by the burning of internal paints and lubricants used in the manufacturing process and will not occur again. Simply run the thermostat on high with the lid open for approximately ½ hour. When cooking very lean meats, such as chicken breasts, or lean pork, the grids can be oiled before pre-heating to reduce sticking. Cooking meat with a high degree of fat content may create flare-ups. Either trim some fat or reduce temperatures to prevent this.

Grilling Chart

Preheat on HIGH for 15-20 minutes with a closed lid, then set to desired temperature. This is a guideline for cooking in outdoor temperature of 22°C.

To add a trademark taste to your cooking, try the Napoleon woodchip smoker as an optional accessory with mesquite- or hickory-flavoured woodchips.

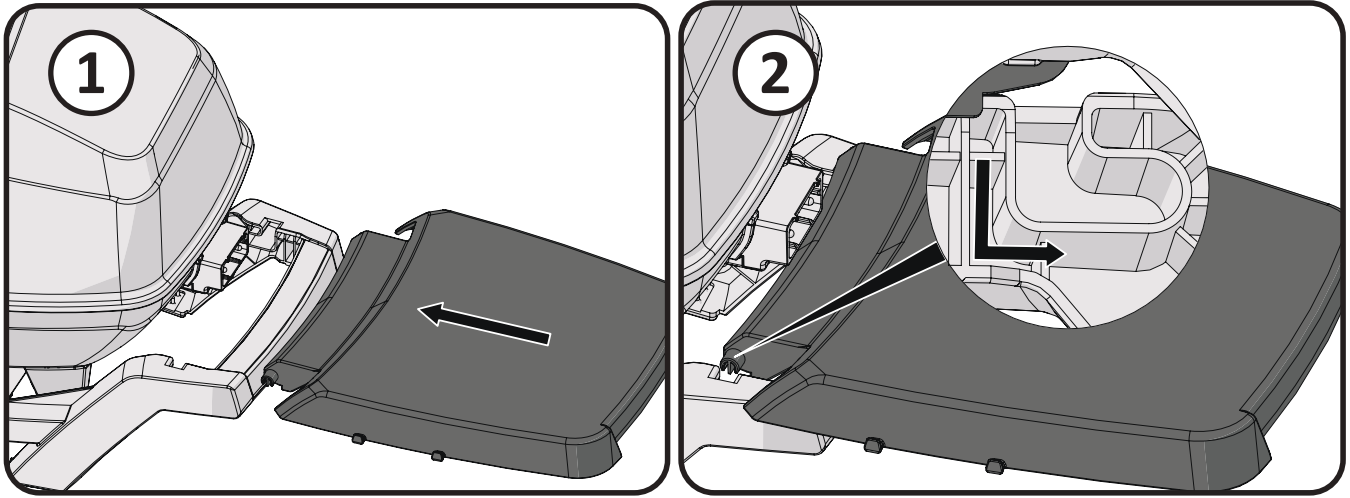
Food	Control Setting	Cooking Time	Helpful Suggestions
Steak 2.54 cm (1 in.) thick	High setting, 2 min. each side	4 min. – Rare	When selecting meat for grilling, ask for marbled fat distribution. The fat acts as a natural tenderizer while cooking and keeps it moist and juicy.
	High setting, 2 min. each side then Medium setting	6 min. – Medium	
	High setting, 2 min. each side then Medium setting	8 min. – Well done	
Hamburger 1.27 cm (1/2 in.) thick	High setting, 2 min. each side	4 min. – Rare	Preparing hamburgers to order is made easier by varying the thickness of your patties.
	High setting, 2 1/2 min. each side	5 min. – Medium	
	High setting, 3 min. each side	6 min. – Well done	
Chicken pieces	High setting, 2 min. each side then Medium-Low to Low setting	20-25 min.	The joint connecting the thigh and the leg from the skinless side should be sliced 3/4 of the way through for the meat to lay flatter on the grill. This helps it to cook faster and more evenly.
Pork chops	Medium	6 min. per side	Trim off the excess fat before grilling. Choose thicker chops for more tender results.
Spare ribs	High setting for 5 minutes Low to finish	20 min. per side turn often	Choose ribs that are lean and meaty. Grill until meat easily pulls away from the bone.
Lamb chops	High setting for 5 minutes Medium to finish	15 min. per side	Trim off the excess fat before grilling. Choose extra thick chops for more tender results.
Hot dogs	Medium - Low	4-6 min.	Select the larger size wieners. Slit the skin lengthwise before grilling.

Troubleshooting

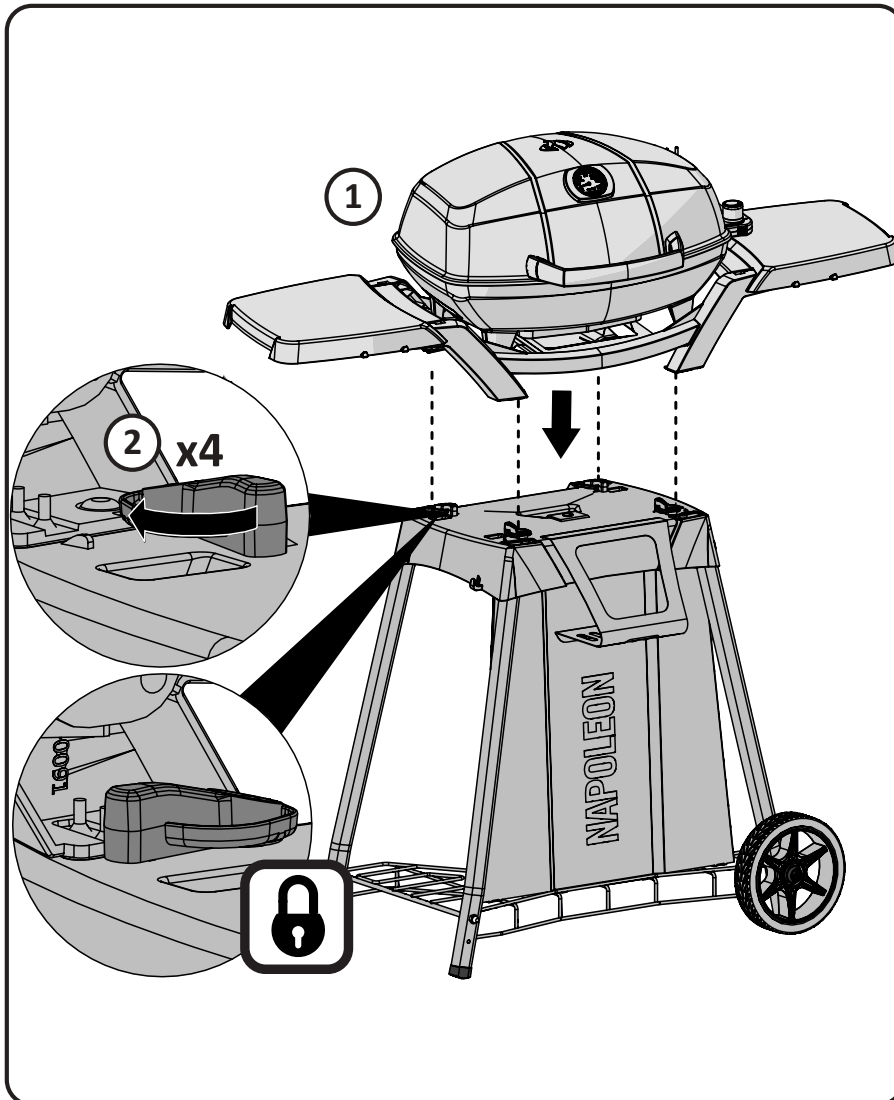
Problem	Possible Causes	Solution
No heat	Thermostat turned off. No power. Faulty thermostat or grill plate.	Turn thermostat to maximum setting. Ensure thermostat is fully seated in grill plate and properly plugged into outlet. Try another outlet. Check for tripped circuit breaker. Reset. Turn thermostat to maximum setting. Pre-heat grill with lid closed for 15-20 minutes. Replace thermostat or grill plate.
Low heat.	Improper preheating Excessive buildup in base of grill.	Preheat 15-20 minutes. Increase thermostat setting. Clean out excessive debris in base.
Excessive flare-ups/ uneven heat.	Excessive fat in meat. Excessive cooking temperature. Grease buildup.	Trim fat from meat before grilling. Adjust temperature as needed. Clean grill.
Circuit breaker trips or fuse blows.	Power surge Another appliance plugged into same circuit as grill. Moisture or water in thermostat or electrical connections.	Turn controller to OFF position before plugging into electrical outlet. Do not use other electrical appliances on same circuit. Keep thermostat and electrical components dry.

OPTIONAL SHELF

EN



OPTIONAL STAND





WARNING! Always wear protective gloves and safety glasses when servicing your grill.



WARNING! To avoid the possibility of burns, maintenance should be done only when the grill is cool. Avoid unprotected contact with hot surfaces. Ensure grill is turned off. Clean grill in an area where cleaning solutions will not harm decks, lawns, or patios. Do not use oven cleaner to clean any part of this grill. Do not use a self-cleaning oven to clean cooking grids or any other parts of the grill. Barbecue sauce and salt can be corrosive and will cause rapid deterioration of the grill components unless cleaned regularly.



Cast Iron Cooking Grids: The cast iron cooking grids supplied with your new grill offer superior heat retention and distribution. By regularly seasoning your grids you are adding a protective coating, which will aid in resisting corrosion and increase your grids non-stick capabilities.

First Time Use: Wash the cast iron grids by hand with mild dish soap and water to remove any residue from the manufacturing process (never wash in a dish washer). Rinse thoroughly with hot water and dry completely with a soft cloth. This is important to avoid moisture from entering the cast iron. When lit for the first time, the grill will emit a slight odour.

Seasoning: Using a soft cloth, spread VEGETABLE SHORTENING over the entire grid surface ensuring all grooves and corners are covered. Do not use salted fats such as butter or margarine. Pre-heat your grill for 15 minutes, then place the seasoned cooking grids in the grill. Turn the burner control knobs to medium with the lid closed. Allow the cooking grids to heat for approximately one-half hour. Turn the controller to OFF and let the cooking grids stand until cool. This procedure should be repeated several times throughout the season, although it is not required for daily use (follow daily usage procedure below).

Daily Usage: Before pre-heating and cleaning with a brass wire grill brush, coat the entire top surface of the cooking grids with vegetable shortening. Pre-heat the grill and then brush away any unwanted residue with a brass wire brush.

Cleaning Inside The Grill: Remove the cooking grids. Use a soft brass wire brush to clean loose debris from the insides of the lid. Brush all debris from inside the grill into the removable drip pan. Remove the base liner (drip pan grease catcher). Do not use abrasive cleaners to clean the porcelain base liner. To remove stubborn stains, soak in soapy water to loosen dirt. Clean with a non-abrasive cleaner and buff dry with a clean cloth. Ensure that the grill plate is placed properly when reinstalled.

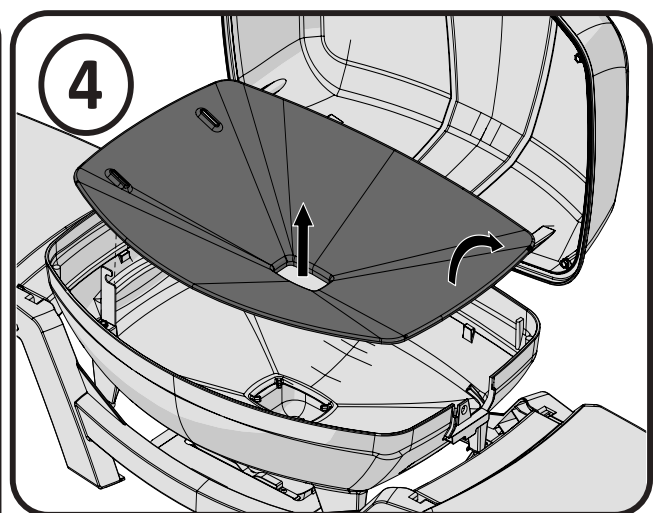
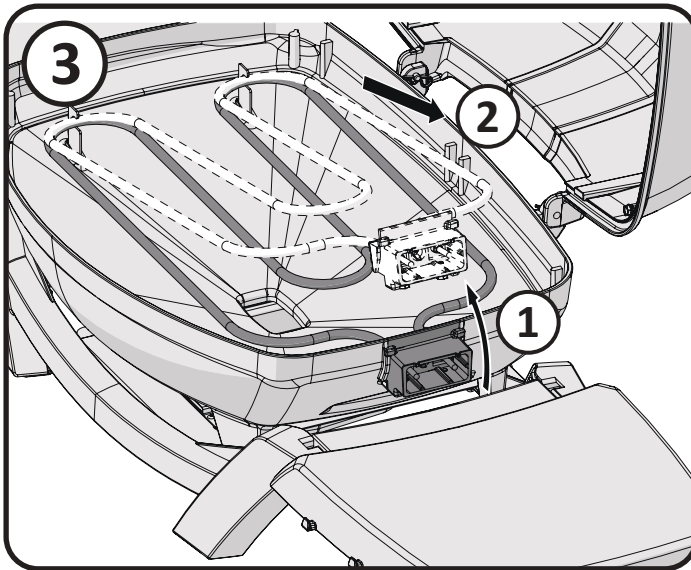
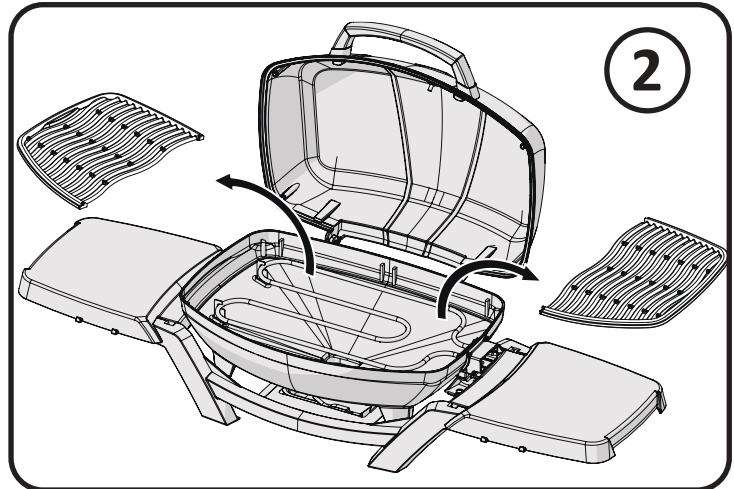
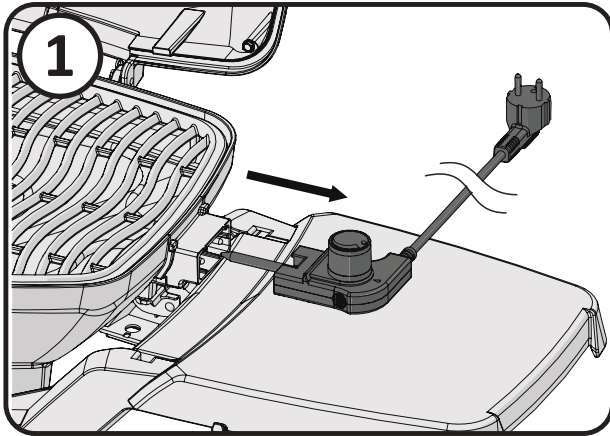
Drip Pan: Slide the drip pan out for easy cleaning. It should be cleaned frequently (every 4-5 uses) to avoid grease buildup. Grease and excess drippings accumulate in the drip pan located under the grill. Accumulated grease can cause a fire hazard. Do not line the drip pan with aluminum foil, as it can prevent the proper amount of air needed for burner to operate. The pan should be scraped out with a putty knife or scraper.

Cleaning the Outside of the Grill: Do not use any abrasive cleaners to clean painted parts. To protect the enamel finish, use a mild detergent with soft cloth or brush to wipe away and remove any acidic residue. Buff dry with a clean cloth.

Cleaning Steps

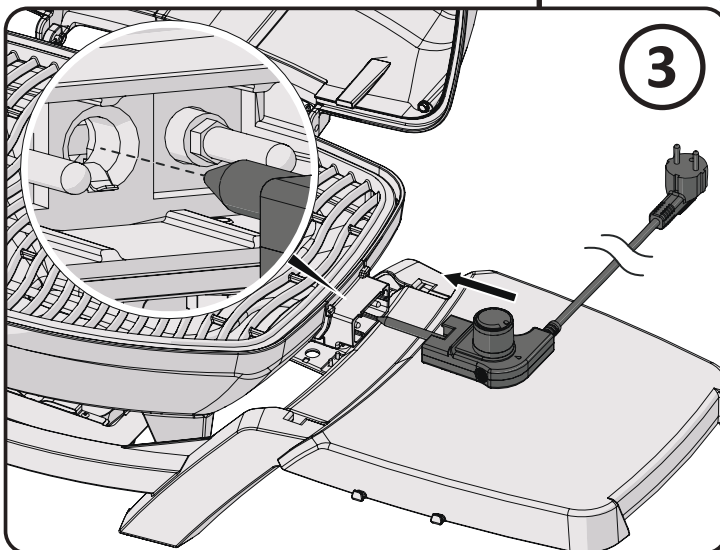
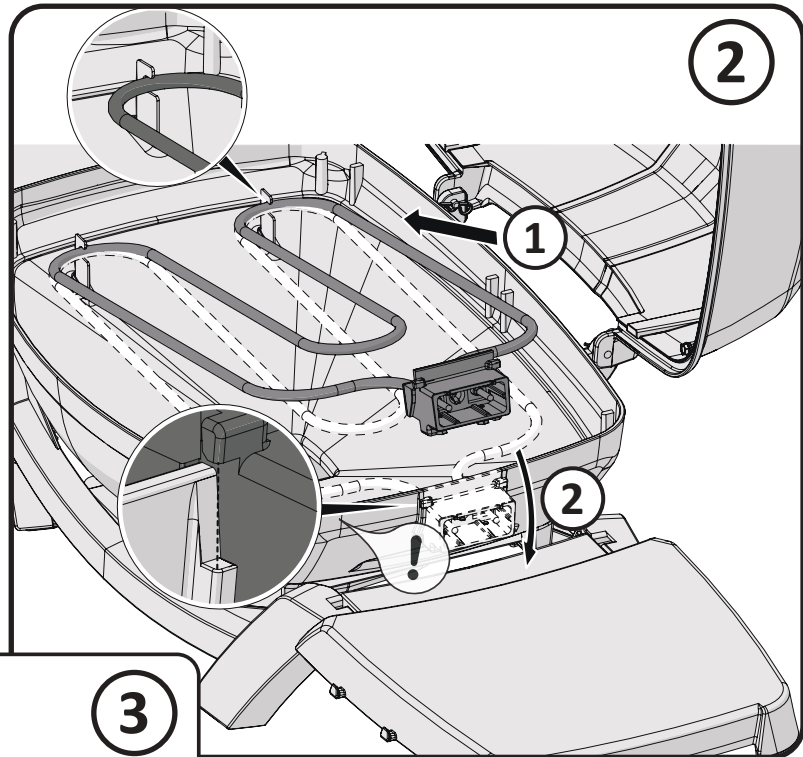
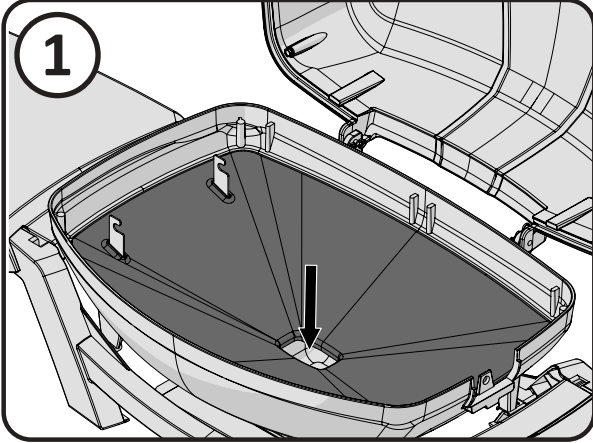
Disassembly:

1. Unplug the cord from wall and remove the thermostat.
2. Remove cooking grids.
3. Lift heating element out of grill.
4. Remove the base liner.



Reassembly:

1. Reinsert the base liner.
2. Place the curved ends of the heating element back into its support clips. Lower the heating element into place.
3. Reinsert the thermostat and cooking grids.



KEEP YOUR RECEIPT AS PROOF OF PURCHASE TO VALIDATE YOUR WARRANTY.

Ordering Replacement Parts

EN

Warranty Information

MODEL: _____

DATE OF PURCHASE: _____

SERIAL NUMBER: _____

(Record information here for easy reference)

For replacement parts and warranty claims, contact the Napoleon dealer where the product was purchased. Before contacting the dealer, check the Napoleon Grills Website for more extensive cleaning, maintenance, troubleshooting and parts replacement instructions at www.napoleon.com.

To process a claim, the following information is required:

1. Model and serial number of the unit.
2. Part number and description.
3. A concise description of the problem ('broken' is not sufficient).
4. Proof of purchase (photocopy of the invoice).

In some cases, Napoleon could request to have the parts returned to the factory for inspection before providing replacement parts.

Before contacting Napoleon dealer, please note that the following items are not covered by the warranty:

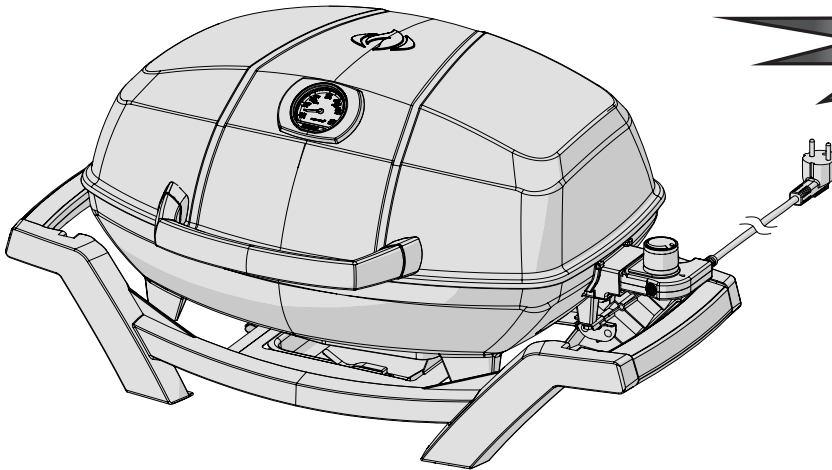
- Costs for transportation, brokerage or export duties.
- Labour costs for removal and reinstallation.
- Costs for service calls to diagnose problems.
- Discolouration of stainless steel parts.
- Part failure due to lack of cleaning and maintenance, or use of improper cleaners (oven cleaner or other harsh chemicals).



FR



FR



NE PAS JETER

PRO285E



AVERTISSEMENT!
RISQUE DE CHOC POTENTIEL

Cet appareil est conçu pour
220-240 V – 50/60 Hz
2200 W



AVERTISSEMENT! Le non-respect des instructions contenues dans ce manuel pourrait entraîner un danger de brûlure, d'usure ou d'explosion, ce qui pourrait causer des dommages matériels, des blessures corporelles ou la mort. Lisez et suivez tous les avertissements et instructions de ce manuel avant d'utiliser le barbecue.



AVERTISSEMENT!

- Pour extérieur usage domestique seulement.
- Lors de l'utilisation d'appareils sous tension, des mesures de sécurité basiques, y compris les suivantes, doivent toujours être suivies pour réduire les risques d'incendies, de chocs électriques, de blessures corporelles et de dommages matériels.
- Conservez ce manuel afin de pouvoir le consulter ultérieurement si nécessaire.



N415-0478W JAN 20.21

Wolf Steel Europe BV
De Riemsdijk 22, 4004 LC, Tiel
The Netherlands
eu.info@napoleon.com

www.napoleon.com

Garantie limitée à vie de 10 ans de Napoléon



Les produits NAPOLÉON sont conçus avec des composants et des matériaux de qualité supérieure, assemblés par des artisans qualifiés qui sont fiers de leur travail. Ce grill a été soigneusement inspecté par un technicien qualifié avant d'être emballé et expédié pour garantir que vous, le client, recevez le produit de qualité dont vous vous attendez de la part de NAPOLÉON.

FR

NAPOLÉON garantit que les composants de votre nouveau produit NAPOLÉON seront exempts de défauts de matériau ou de fabrication à compter de la date de l'achat, et ce, pour la durée suivante :

Pièces en fonte d'aluminium/base en acier inoxydable	10 ans
Blindage de graisse en porcelaine émaillée	5 ans de pleine garantie, après plus 50 % de rabais jusqu'à la 10^{ème} année
Grilles en fonte émaillée en porcelaine	5 ans de pleine garantie, après plus 50 % de rabais jusqu'à la 10^{ème} année
Élément chauffant et régulateur de température	2 ans
Toutes les autres pièces.....	2 ans

*Conditions et limitations

La présente garantie limitée couvre une période de garantie telle que spécifiée dans le tableau ci-dessus pour tout produit acheté par l'entremise d'un détaillant autorisé NAPOLÉON et donne droit à l'acheteur d'origine à la couverture spécifiée relativement à tout composant remplacé durant la période de garantie, que ce soit par NAPOLÉON ou un détaillant autorisé NAPOLÉON, pour le remplacement de tout composant qui présente une défaillance dans le cadre d'un usage privé normal à la suite d'un défaut de fabrication. La mention « 50 % de rabais » indiquée dans le tableau signifie que le composant est mis à disposition de l'acheteur à 50 % de son prix de détail courant pour la période indiquée. La présente garantie limitée ne couvre ni les accessoires ni les articles offerts gratuitement.

Il est entendu que l'« usage privé normal » d'un produit signifie que le produit : a été installé par un technicien de service ou entrepreneur certifié, conformément aux instructions d'installation incluses avec le produit et à tous les codes d'incendie et de construction locaux et nationaux; a été entretenu correctement; et n'a pas été utilisé dans une application à usage collectif ou commercial.

De la même manière, « défaillance » n'inclut pas : la surchauffe, les extinctions causées par des conditions environnementales telles que des vents forts ou une ventilation inadéquate, les égratignures, les bosses, la corrosion, la détérioration des finis peints et plaqués, la décoloration due à la chaleur, aux nettoyeurs abrasifs ou chimiques ou à l'exposition à des rayons UV, l'écaillage des pièces en porcelaine émaillée ou les dommages causés par un mauvais usage, un accident, la grêle, des feux de graisse, un manque d'entretien, un environnement inadéquat tel que le sel ou le chlore, des altérations, des abus, des négligences ou des pièces installées par d'autres fabricants.

Dans le cas d'une détérioration des composants causant le mauvais fonctionnement de l'appareil (perforation par la rouille ou la surchauffe) pendant la période couverte par la garantie, les pièces de rechange seront fournies par NAPOLÉON. Les composants de rechange relèvent de la seule responsabilité de NAPOLÉON telle que définie par la présente garantie limitée; en aucun cas, NAPOLÉON ne saurait être tenu responsable de l'installation, de la main-d'œuvre ou de tous autres coûts ou dépenses relatifs à la réinstallation d'une pièce garantie, de tous dommages accessoires, consécutifs ou indirects ni de tous frais de transport, de main-d'œuvre ou taxes d'exportation.

La présente garantie limitée vient s'ajouter à tous les droits qui vous sont accordés par la législation locale. Par conséquent, la présente garantie limitée n'impose pas à NAPOLÉON l'obligation de garder des pièces en stock. En fonction de la disponibilité des pièces, NAPOLÉON peut, à sa discrétion, se libérer de toute obligation en fournissant à un client un crédit au prorata applicable à un nouveau produit. Après la première année, NAPOLÉON peut, à sa discrétion, se libérer entièrement de toute obligation en ce qui concerne la présente garantie limitée en remboursant à l'acheteur d'origine le prix de gros de toute pièce garantie et défectueuse.

La facture ou une copie sera requise ainsi que le numéro de série et le numéro de modèle lors d'une réclamation auprès de NAPOLÉON.

NAPOLÉON se réserve le droit de demander à son représentant d'inspecter tout produit ou pièce avant d'honorer toute réclamation. Pour pouvoir bénéficier de la couverture de garantie, vous devez contacter le service à la clientèle de NAPOLÉON ou un détaillant autorisé NAPOLÉON.



www.napoleon.com



AVERTISSEMENT! Lire toutes les instructions avant d'utiliser le produit.

Pratiques sécuritaires d'utilisation

- Utilisez ce barbecue uniquement comme décrit dans ce manuel. Toute autre utilisation non recommandée dans ce manuel peut provoquer un incendie, une électrocution ou des blessures corporelles.
- Ce barbecue est destiné uniquement à l'usage domestique en extérieur. Ne l'utilisez pas à l'intérieur ou pour la cuisine commerciale.
- Ne modifiez pas ce produit ou son utilisation.
- N'utilisez pas de charbon ou autres combustibles dans ce barbecue. Ce barbecue n'est pas conçu pour l'utilisation du charbon, et son utilisation peut provoquer un incendie. Le feu risque de créer une situation dangereuse et d'endommager le barbecue.
- Ne montez pas ce modèle de barbecue dans une construction intégrée ou coulissante. Ignorer cet avertissement pourrait provoquer un incendie ou une explosion, qui pourrait endommager votre propriété ou causer des blessures corporelles graves voire la mort.

Sauvegardes Électriques:

- Cet appareil est conforme aux normes techniques et aux exigences de sécurité pour les appareils électriques..
- Assurez-vous que la prise électrique est compatible à la puissance de tension de l'appareil. Les prises de courant doivent également être compatibles avec les équipements dont la consommation électrique est de 2 200 watts.
- Assurez-vous qu'aucun autre appareil haute puissance n'est branché sur le même circuit lors de l'utilisation du barbecue.
- L'appareil doit être connecté à une prise avec un contact de mise à la terre.
- L'appareil doit être alimenté au moyen d'un disjoncteur différentiel de fuite à la terre (DDFT) avec un courant de fonctionnement résiduel nominal n'excédant pas 30 mA.
- Ne mettez pas en marche le produit si la fiche du câble est endommagée.
- Le cordon d'alimentation doit être régulièrement vérifié pour détecter des signes de dommages, et l'appareil ne doit pas être utilisé si le cordon est endommagé.
- Ne mettez pas en marche le barbecue si le régulateur de température dispose d'un cordon ou d'une fiche endommagés. Si le cordon d'alimentation est endommagé, il doit être remplacé par une pièce d'assemblage spécial disponible auprès de Napoleon ou d'un revendeur agréé Napoleon.
- Si vous utilisez une rallonge, elle doit être conçue pour une utilisation en extérieur et conforme à la puissance d'entrée de l'appareil.
- Si une rallonge est utilisée, assurez-vous que la puissance électrique marquée sur le cordon ou la rallonge est au moins aussi grande que la puissance électrique de l'appareil ; ne connectez pas 2 ou plusieurs rallonges ensemble.

Fonctionnement Sûr:

- Commencez toujours par brancher le régulateur de température dans le barbecue avant de brancher le cordon d'alimentation dans la prise. Lorsque vous retirez le régulateur de température du barbecue, débranchez-le d'abord de la prise.
- Tirez le régulateur par le bouton pour le détacher. Retirez le régulateur de température en le tenant sur son côté.
- Si une flamme apparaît, n'utilisez pas d'eau pour éteindre le feu. Mettez le barbecue sur OFF. Débranchez le cordon d'alimentation et attendez que le barbecue refroidisse.
- Veillez à ce que la fiche et le cordon restent secs pendant l'utilisation. N'utilisez pas le barbecue quand il pleut.
- Faites fonctionner le barbecue uniquement sur une surface plane et stable
- Ne laissez pas le cordon toucher le barbecue quand il fait chaud.
- Le bac à graisse doit rester en place en permanence pendant le fonctionnement du barbecue.
- Ne déplacez pas le barbecue pendant son utilisation.
- Ne laissez pas le barbecue sans surveillance lorsque vous l'utilisez.
- Maintenez les bébés, les personnes âgées et les animaux de compagnie à distance quand ce barbecue est en service.
- Cet appareil peut être utilisé par des enfants âgés de 8 ans et plus. Il peut également être utilisé par des personnes ayant des capacités physiques, sensorielles ou mentales réduites, ou un manque d'expérience et de connaissances, si elles sont sous surveillance ou ont reçu des instructions concernant l'utilisation de l'appareil de manière sécuritaire et comprennent les risques inhérents. Les enfants ne doivent pas jouer avec l'appareil. Le nettoyage et l'entretien ne doivent pas être effectués par des enfants sans supervision.
- N'utilisez pas le barbecue près de matériaux combustibles tels que le bois, l'herbe sèche, les arbustes, etc.
- Ne laissez pas le barbecue entrer en contact avec des matériaux inflammables tels que du papier, des murs, des draps, des serviettes, des produits chimiques, etc
- Placez le cordon d'alimentation loin des zones de passage. N'utilisez pas le barbecue dans les zones à fort passage.
- Pour protéger le barbecue, utilisez-le à plus de 3 mètres d'une piscine, d'un étang ou de tout autre plan d'eau.
- N'utilisez pas l'appareil comme chauffage.
- Laissez l'appareil refroidir avant de le déplacer ou de le ranger.

Nettoyage:

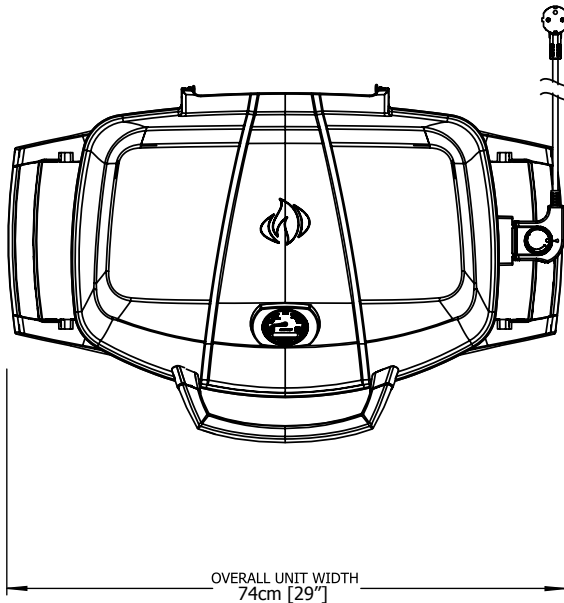
- Nettoyez régulièrement le lèche-frite..
- Pour se protéger contre les chocs électriques, ne plongez pas la fiche, le cordon ou le régulateur de température dans de l'eau ou tout autre liquide.

Espace De Rangement:

- Débranchez le barbecue lorsqu'il n'est pas utilisé.
- Ne laissez pas le régulateur de température en position ON pendant de courtes périodes de non utilisation.
- Retirez le régulateur de température du barbecue si vous n'utilisez pas l'appareil pendant longtemps. Lorsqu'il n'est pas utilisé, conservez toujours le régulateur de température à l'intérieur.

DIMENSIONS

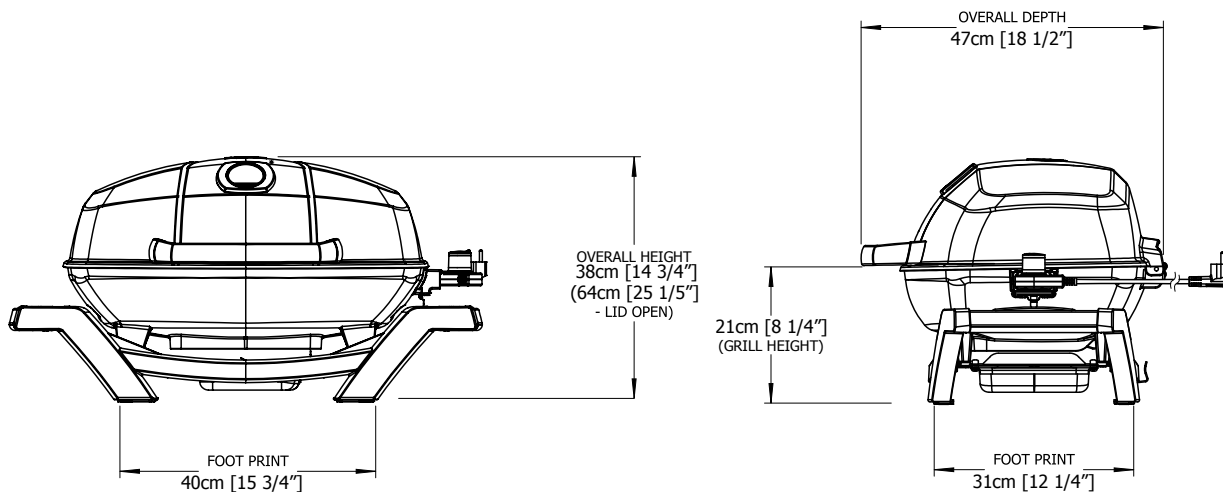
FR



PRO285E GRILL

GRILL SIZE: 37cm X 54cm (IRREGULAR) = 1840 cm² (14 1/2" X 21 1/4" (IRREGULAR) = 285 in²)

ALL DIMENSIONS ARE APPROXIMATE



ATTENTION! Lors du déballage et de l'assemblage, nous vous conseillons de porter des gants de travail et des lunettes de sécurité pour votre protection. Malgré tous nos efforts pour assurer que l'assemblage soit aussi sécuritaire et sans problème que possible, il se peut que les bords et les coins des pièces usinées en acier soient coupants et qu'ils causent des coupures si les pièces ne sont pas manipulées correctement.

Mise au rebut du produit



À travers l'UE, ce symbole indique que le produit ne doit pas être mis au rebut avec les autres ordures ménagères. Afin de protéger l'environnement et la santé publique contre les déchets non contrôlés, veuillez recycler l'appareil de manière responsable afin d'encourager la réutilisation durable de ressources de matériaux. Afin de retourner votre appareil usagé, veuillez utiliser les systèmes de retour ou de récupération ou contactez le revendeur auprès duquel l'appareil a été acheté. Ils peuvent reprendre l'appareil afin de le faire recycler et ainsi protéger l'environnement.

Instructions d'opération



AVERTISSEMENT! Ne pas utiliser cet appareil sous un auvent. Le non respect de cette mesure de sécurité pourrait entraîner un incendie ou de blessures.



DANGER! Attendre que le grill soit froid avant de le ranger. Le non respect de cette mesure de sécurité pourrait entraîner un incendie causant des dommages à la propriété, des blessures ou la mort.

Lorsqu'il sera allumé pour la première fois, le barbecue laissera échapper une légère odeur. Il s'agit d'un problème temporaire complètement normal, qui est causé par la combustion de peintures internes et de lubrifiants utilisés lors de la fabrication. Ce problème ne se reproduira plus. Pour y remédier, il suffit de faire fonctionner la sonde de température sur le dessus tout en maintenant le couvercle ouvert pendant environ une heure. Lors de la cuisson de viandes très maigres, comme le blanc de poulet ou le porc maigre, les grilles peuvent être huilées avant le préchauffage afin de réduire l'adhérence. La cuisson de la viande avec une forte teneur en matières grasses peut créer un embrasement. Enlevez un peu de gras ou réduisez les températures pour éviter ce problème.

FR

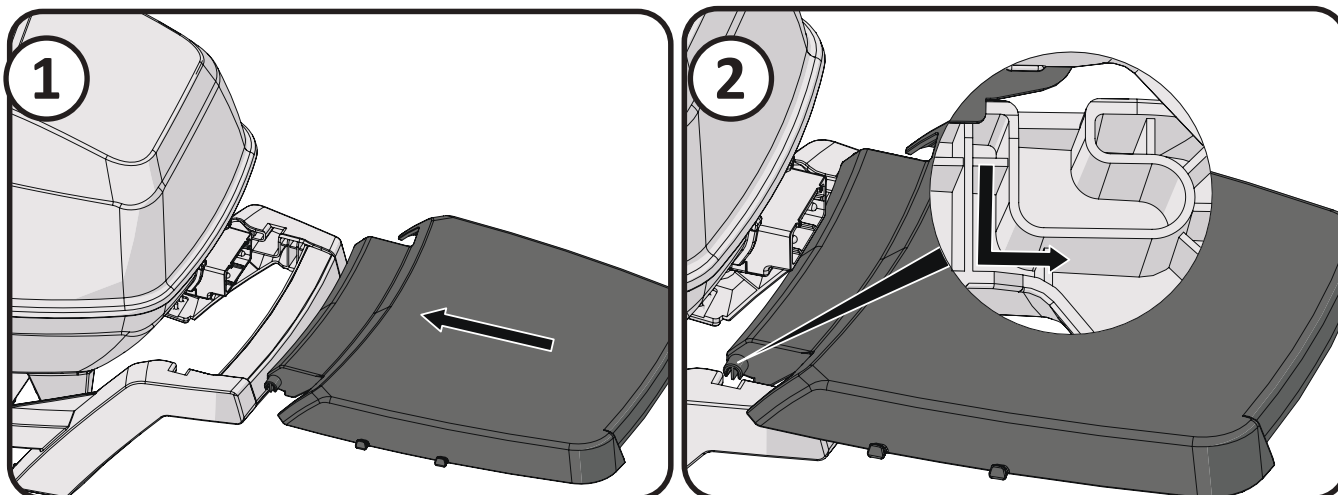
Tableau des cuissons

Aliments	Réglages de commandes	Temps de cuisson	Suggestions utiles
Steak Épaisseur 2,54 cm	Réglage haut, 2 minutes de chaque côté. Réglage haut, 2 minutes de chaque côté, puis réglage moyen. Réglage haut, 2 minutes de chaque côté, puis réglage moyen.	4 min. - Saignant 6 min. - À point 8 min. - Bien cuit	Lorsque vous choisissez la viande que vous allez cuire au barbecue, demandez à ce qu'elle soit persillée. La graisse agit comme un attendrisseur naturel pendant la cuisson et garde la viande moelleuse et juteuse.
Hamburger épaisseur 1,27 cm	Réglage haut, 2 minutes de chaque côté. Réglage haut, 2 minutes 1/2 de chaque côté Réglage haut, 3 minutes de chaque côté.	4 min. – Saignant 5 min. - À point 6 min. - Bien cuit	La préparation des hamburgers à la demande est facilitée en variant l'épaisseur de vos morceaux. Pour ajouter un goût exotique à votre viande, essayez d'ajouter des copeaux de bois aromatisés à ceux de fumage de Napoleon.
Morceaux de poulet	Réglage haut, 2 minutes de chaque côté. Puis réglage moyen-bas à bas.	20-25 min.	L'articulation qui relie la cuisse et la patte du côté sans peau doit être tranchée aux 3/4 pour que la viande repose à plat sur le barbecue. Cela permet de la cuire plus rapidement et plus uniformément. Pour ajouter un goût de marque à votre cuisine, essayez d'ajouter des copeaux de bois aromatisés à votre barbecue Napoleon, un accessoire optionnel.
Côtes de porc	À point	6 min. par côté	Ôtez l'excès de graisse avant de cuire. Choisissez des côtes plus épaisses pour des résultats plus tendres.
Travers de porc	Réglage haut, 5 minutes bas pour finir	20 min. par côté, retournez souvent	Choisissez des côtes maigres et consistantes. Faites cuire jusqu'à ce que la viande se détache facilement de l'os.
Côtelettes d'agneau	Réglage haut, 5 minutes moyen pour finir	15 min. par côté	Ôtez l'excès de graisse avant de cuire. Choisissez des côtelettes très épaisses pour obtenir des résultats plus tendres.
Hot dogs	Moyen - Bas	4-6 min.	Sélectionnez des saucisses de grande taille. Entaillez la peau dans le sens de la longueur avant de cuire.

Dépannage

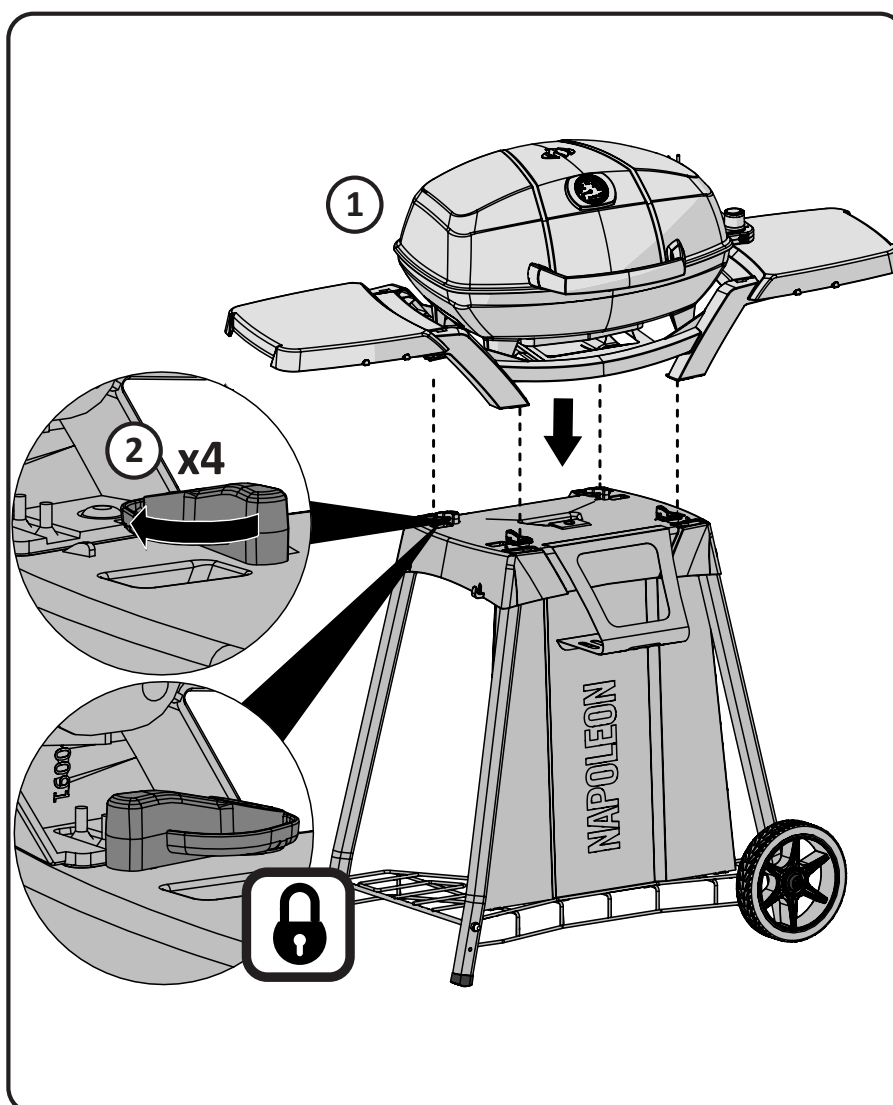
Problème	Causes probables	Solution
Pas de chaleur	Sonde de température éteinte. Pas de puissance.	Tournez la sonde de température à un réglage maximal. Assurez-vous que la sonde de température est bien installée dans la plaque de cuisson et bien branchée sur la prise. Essayez une autre prise. Vérifiez que le disjoncteur est enclenché. Réinitialisez. Tournez la sonde de température à un réglage maximal. Préchauffez le barbecue avec le couvercle fermé pendant 10 minutes.
	Sonde de température ou plaque de cuisson défectueuse.	Remplacez la sonde de température ou la plaque de cuisson.
Faible chaleur	Préchauffage incorrect.	Préchauffez pendant 10 minutes. Augmentez les réglages de la sonde.
	Accumulation excessive dans la base du barbecue.	Nettoyez la base afin de se débarrasser de l'accumulation de résidus.
Embrasements excessifs/chaleur inégale	Graisse excessive dans la viande. Température de cuisson excessive.	Ôtez la graisse de la viande avant de la passer au barbecue. Réglez la température au besoin.
	Accumulation de graisse.	Nettoyez le barbecue.
Le disjoncteur se déclenche ou le fusible saute.	Saute de tension	Tournez le régulateur sur la position OFF avant de brancher la prise électrique.
	Un autre appareil est branché sur le même circuit que le barbecue.	N'utilisez pas d'autres appareils électriques sur le même circuit.
	Humidité/eau dans la sonde de température ou les connexions électriques.	Gardez la sonde et les composants électriques au sec.

ÉTAGÈRE EN OPTION



FR

SOCLE EN OPTION



Nettoyage



FR

AVERTISSEMENT! Portez toujours des gants de protection et des lunettes de sécurité lors de l'entretien de votre barbecue.

AVERTISSEMENT! Pour éviter le risque de brûlures, l'entretien ne doit être effectué que lorsque le barbecue est froid. Évitez tout contact non protégé avec des surfaces chaudes. Assurez-vous que le barbecue est éteint. Nettoyez le barbecue dans un endroit adéquat, où les solutions de nettoyage ne peuvent pas endommager la terrasse, la pelouse ou la cour. N'utilisez en aucun cas des produits d'entretien pour les fours dans le cadre du nettoyage de ce barbecue. N'utilisez pas de four autonettoyant pour nettoyer les grilles de cuisson ou toute autre partie du barbecue. La sauce barbecue et le sel sont corrosifs et entraîneront une détérioration rapide des composants du barbecue, à moins que ces derniers ne soient nettoyés régulièrement.

Grilles de cuisson en fonte : Les grilles de cuisson en fonte fournies avec votre nouveau barbecue offrent une conservation et une distribution de la chaleur de haute qualité. En entretenant régulièrement vos grilles à l'aide d'un processus spécifique (nettoyage à l'eau, application de matière grasse et passage dans la chaleur du barbecue), vous ajoutez un revêtement protecteur qui les aidera à résister à la corrosion et augmentera leurs capacités antiadhésives.

Première utilisation : Lavez les grilles de cuisson à la main avec un produit vaisselle doux et de l'eau pour éliminer tout résidu du processus de fabrication (ne jamais laver dans un lave-vaisselle). Rincez abondamment avec de l'eau chaude et séchez avec un chiffon doux. Ceci est important pour éviter que l'humidité n'entre dans la fonte. Lorsqu'il sera allumé pour la première fois, le barbecue laissera échapper une légère odeur. Il s'agit d'un problème temporaire complètement normal, qui est causé par la combustion de peintures internes et de lubrifiants utilisés lors de la fabrication. Ce problème ne se reproduira plus. Pour y remédier, il suffit de faire fonctionner le régulateur de température sur le dessus tout en maintenant le couvercle ouvert pendant environ une heure.

Entretien : À l'aide d'un linge doux, appliquez une couche de SHORTENING VÉGÉTAL sur toute la surface de la grille en vous assurant de couvrir toutes les encoches et les coins. N'utilisez pas de corps gras salés comme du beurre ou de la margarine. Préchauffez votre gril pendant 15 minutes, puis placez les grilles de cuisson dans le gril. Tournez les boutons de commande à feu moyen puis fermez le couvercle. Laissez les grilles de cuisson chauffer environ une demi-heure. Éteindre le thermostat et laissez refroidir les grilles de cuisson. Cette procédure devrait être répétée plusieurs fois durant la saison, bien qu'elle ne soit pas requise à chaque utilisation du gril (suivez la procédure d'utilisation quotidienne ci-dessous).

Usage quotidien : Avant de préchauffer et de nettoyer avec une brosse à barbecue en laiton, recouvrez le dessus des grilles de cuisson de matière grasse végétale. Préchauffez le barbecue, puis brossez les résidus indésirables avec une brosse en laiton.

Nettoyage de l'intérieur du barbecue : Retirez la plaque de cuisson. Utilisez une brosse en laiton doux pour nettoyer les déchets à l'intérieur du couvercle. Éliminez tous les résidus qui se trouvent à l'intérieur du barbecue en les faisant passer dans le lèchefrite amovible. Assurez-vous que la plaque de cuisson est correctement placée lors de la réinstallation. Retirez le couvercle de base. N'utilisez pas de produits abrasifs pour nettoyer le couvercle de base en porcelaine. Pour retirer les taches tenaces, laissez d'abord tremper dans de l'eau savonneuse. Nettoyez ensuite avec un produit non abrasif, et séchez avec un chiffon propre.

Lèchefrite : Pour un nettoyage facile, retirez fréquemment (toutes les 4 à 5 utilisations) pour éviter l'accumulation de graisse. La graisse et les écoulements s'accumulent dans la lèchefrite, qui se trouve sous la grille de cuisson. Cette graisse accumulée peut provoquer un incendie. Ne tapissez pas la lèchefrite de papier d'aluminium, car cela peut empêcher que l'air circule normalement, ce qui nuit au bon fonctionnement du brûleur. La lèchefrite doit être gratté avec un couteau à mastic ou un grattoir.

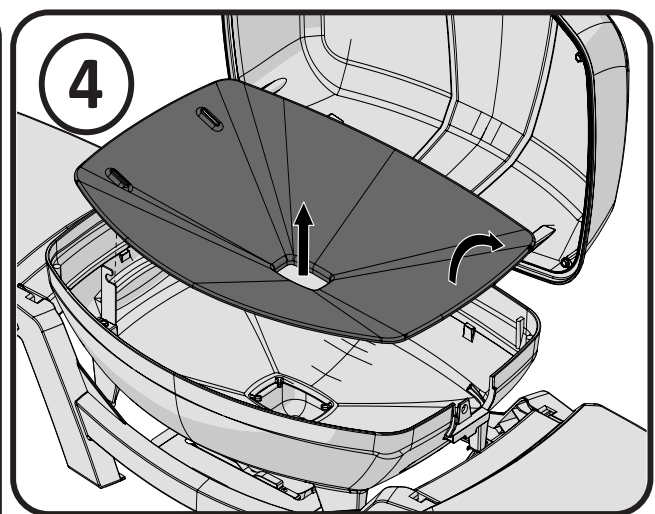
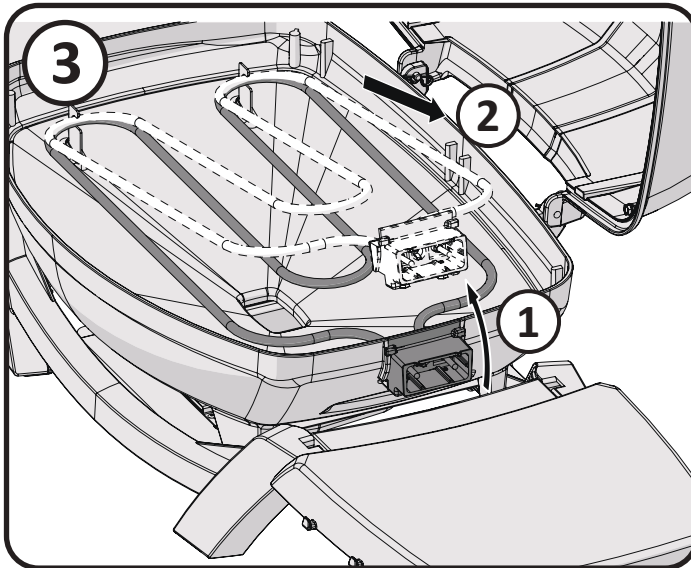
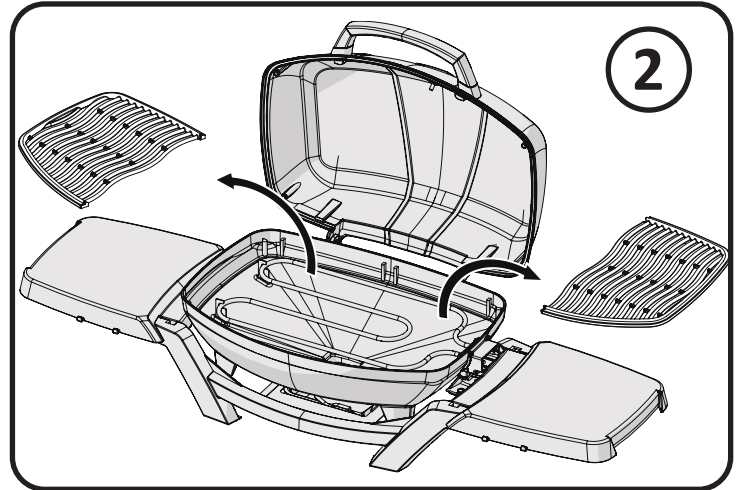
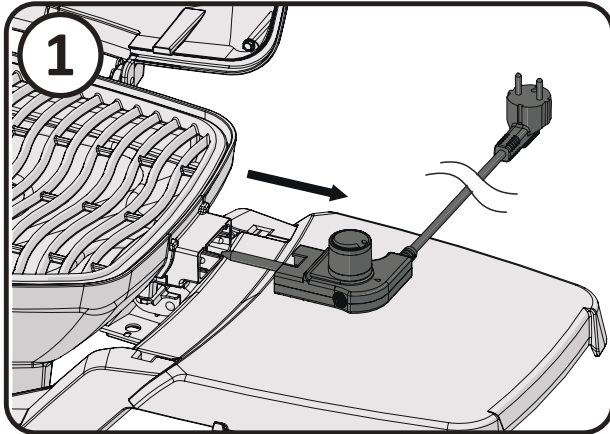
Nettoyage de l'extérieur du barbecue : N'utilisez pas de produits abrasifs pour nettoyer les pièces en acier inoxydable. Utilisez un produit spécialement conçu pour l'acier inoxydable ou un nettoyant non abrasif. Frottez toujours dans le sens du grain. N'utilisez pas de laine d'acier, car cela risque d'érafler la finition et de laisser de petites particules de métal ferreux qui peuvent favoriser la rouille. Les pièces en acier inoxydable se décolorent avec la chaleur : elles deviendront sûrement dorées ou brunes. Cette décoloration est normale, et n'affecte pas les performances du barbecue.

Étapes de nettoyage

Désassemblage:

1. Débrancher le câble d'alimentation and retirer le thermostat
2. Enlever les grilles de cuisson
3. Retirer l'élément chauffant
4. Enlever la base

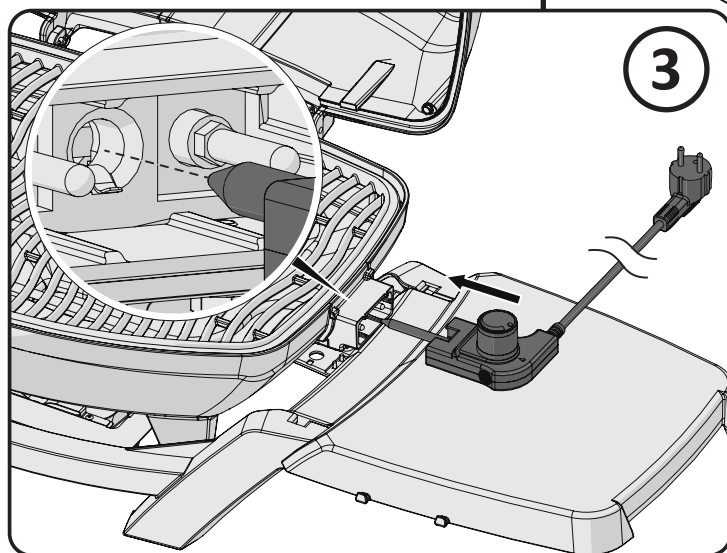
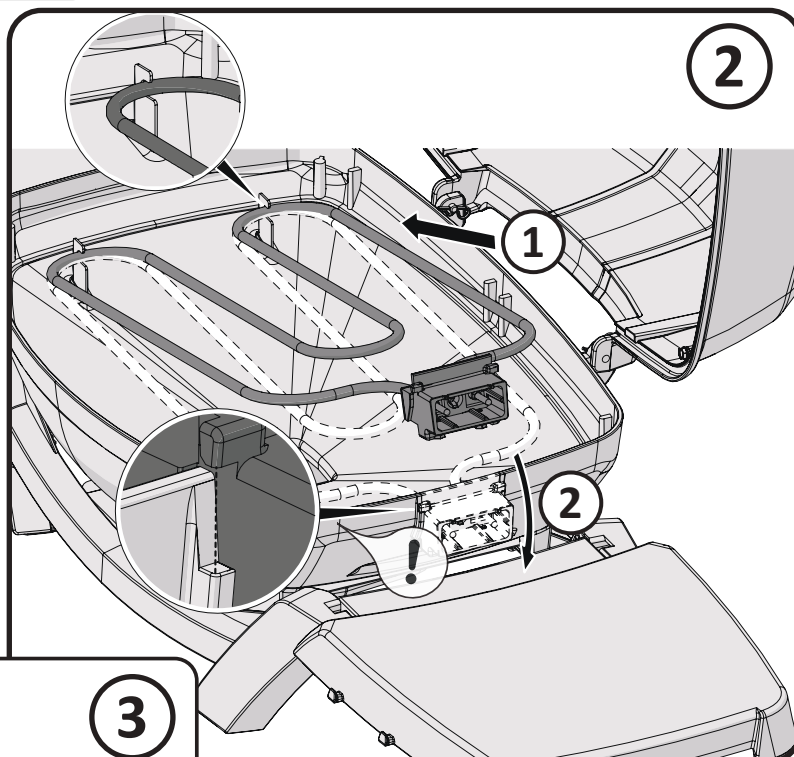
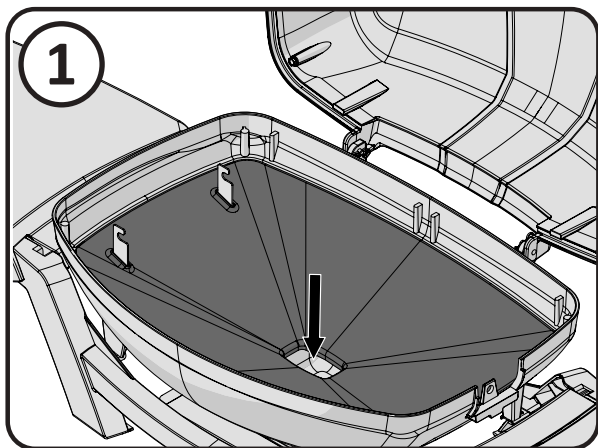
FR



Ré-assemblage

1. Réintroduire le base
2. Placer la partie incurvée de l'élément chauffant dans les clips prévus a cet effet
3. Remettre en place le thermostat et les grilles de cuisson

FR



GARDEZ VOTRE REÇU COMME PREUVE D'ACHAT POUR VALIDER VOTRE

Commande de pièces de rechange

Information sur la garantie

MODÈLE : _____

DATE D'ACHAT : _____

NUMÉRO DE SÉRIE : _____

FR

(Inscrivez l'information ici pour y avoir accès facilement.)

Pour commander des pièces de rechange ou faire une réclamation sous garantie, communiquez avec le détaillant Napoléon où le produit a été acheté.

Avant de contacter le détaillant Napoléon, consultez le site Web des grils Napoléon pour obtenir plus de renseignements sur le nettoyage, l'entretien, le dépannage et les pièces à www.napoleon.com

Pour qu'une réclamation soit traitée, l'information suivante est nécessaire :

1. Modèle et numéro de série de l'appareil.
2. Numéro de la pièce et description.
3. Description concise du problème (« cassé » n'est pas suffisant).
4. Preuve d'achat (copie de la facture).

Dans certains cas, Napoléon peut vous demander de retourner la pièce à des fins d'inspection avant de fournir une pièce de rechange.

Avant de contacter le détaillant Napoléon, veuillez noter que la garantie ne couvre pas les éléments suivants :

- coûts de transport, de courtage et frais d'exportation;
- coûts de main-d'oeuvre pour l'enlèvement et l'installation de la pièce;
- coûts des appels de service pour diagnostiquer le problème;
- décoloration des pièces en acier inoxydable;
- casse des pièces causée par un manque d'entretien et de nettoyage, ou par l'utilisation de nettoyeurs inappropriés (nettoyant à fourneau ou autres produits chimiques agressifs).



FR



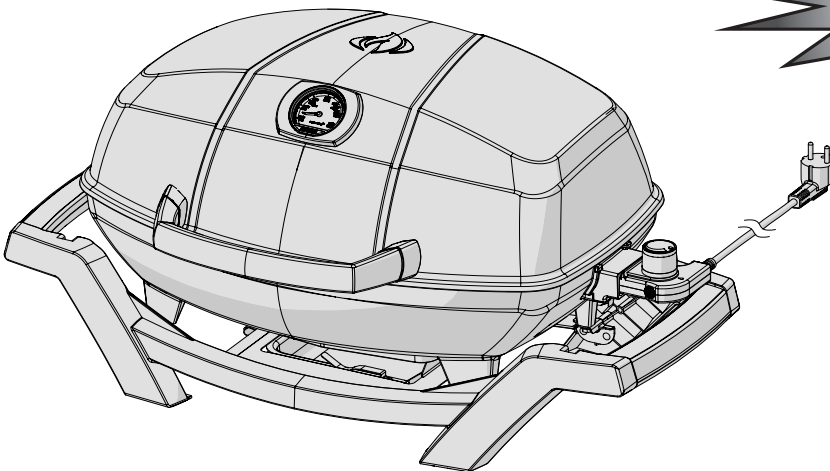
Breng het serienummerlabel aan dat op de kartonnen doos staat



Serie Nr.
XXXXXX000000
Model Nr.

NIET WEGGOOIEN

PRO285E



NL



WAARSCHUWING! POTENTIEEL
ELEKTRISCH SCHOKGEVAAR

Dit apparaat is berekend voor
220-240 V - 50/60 Hz
2200 W



WAARSCHUWING! Het niet opvolgen van de instructies in deze gebruiksaanwijzing kan leiden tot brandgevaar, explosiegevaar of verbrandingsgevaar met materiële schade, persoonlijk letsel of de dood tot gevolg. Lees en neem alle waarschuwingen en instructies in deze gebruiksaanwijzing in acht voordat u de grill gebruikt.



WAARSCHUWING!

- Alleen voor gebruik buitenshuis
- Bij het gebruik van elektrische apparaten is het raadzaam om altijd de volgende algemene voorzorgsmaatregelen te nemen om het risico op brand, elektrische schokken, persoonlijk letsel en materiële schade te minimaliseren.
- Bewaar deze handleiding als naslag.



N415-0478W JAN 20.21

Wolf Steel Europe BV
De Riemsdijk 22, 4004 LC, Tiel
The Netherlands
eu.info@napoleon.com

www.napoleon.com

10 jaar beperkte Napoleon President's Garantie



NAPOLEON producten worden gemaakt van onderdelen en materialen van hoge kwaliteit en worden gemonteerd door goed opgeleide vakmensen die erg trots zijn op hun werk. Deze grill is voor het inpakken en verzenden grondig geïnspecteerd door een gekwalificeerd technicus om te garanderen dat u als klant het kwaliteitsproduct ontvangt dat u van NAPOLEON mag verwachten.

NAPOLEON garandeert dat componenten van uw nieuwe NAPOLEON-product volledig vrij zullen zijn van gebreken inzake materialen en vakmanschap vanaf de aankoopdatum voor de onderstaande periode:

Aluminium gietvormen / roestvrijstalen basis	10 jaar
Porseleinen Geëmailleerd vet opvangschaal	5 jaar volledige dekking, plus 50% korting tot het 10dejaar
Met porselein geëmailleerde gietijzeren grillroosters.....	5 jaar volledige dekking, plus 50% korting tot het 10dejaar
Verwarmingselement en temperatuurregelaar	2 jaar
Alle overige onderdelen.....	2 jaar

Voorwaarden en beperkingen

Deze Beperkte Garantie geeft een garantieperiode voor ieder product dat bij een geautoriseerde NAPOLEON-dealer is gekocht zoals gespecificeerd in de eerder genoemde tabel en geeft de oorspronkelijke koper recht op de gespecificeerde dekking met betrekking tot ieder component dat binnen de garantie vervangen is, hetzij door NAPOLEON, hetzij door een geautoriseerde NAPOLEON-dealer, om een component te vervangen van een dergelijk product dat kapot gegaan is tijdens normaal huishoudelijk gebruik als een gevolg van een productiefout.

De "50% korting" genoemd in de tabel betekent dat het component beschikbaar is voor de koper voor 50% van de reguliere verkoopprijs van het component in de aangegeven periode. Deze Beperkte Garantie dekt geen accessoires of merchandise.

Ter verduidelijking: "normaal huishoudelijk gebruik van een product" betekent dat het product: geïnstalleerd is door een bevoegde monteur, in overeenstemming met de installatie-instructies die bij het product zijn inbegrepen en met de lokale bouw- en brandverordeningen; goed onderhouden is; en is niet gebruikt als gemeenschapsvoorziening of in een commerciële toepassing.

Daarnaast betekent "storing" niet: oververhitting, uitvallen vanwege omgevingsomstandigheden, zoals sterke wind of inadequate ventilatie, krassen, deuken, corrosie, slijtage van verf en platen, verkleuring door hitte, schurende of chemische schoonmaakmiddelen of blootstelling aan UV, afsplinteren van porseleinen, gebrandverfde onderdelen, of schade veroorzaakt door foutief gebruik, ongeval, hagel, brandend vet, gebrekkig onderhoud, blootstelling aan bijtende middelen zoals zout of chloor, aanpassingen, misbruik, verwaarlozing, of het installeren van onderdelen van andere fabrikanten.

Mochten onderdelen dermate verslechteren dat ze niet meer functioneren (doorgeroest of doorgebrand) binnen het tijdsbestek van de garantiedekking, dan zal een vervangend onderdeel geleverd worden.

Het vervangende onderdeel is de volledige verantwoordelijkheid van NAPOLEON zoals gedefinieerd in deze Beperkte Garantie; in geen geval is NAPOLEON aansprakelijk voor installatiekosten, arbeidskosten-, of enige andere kosten of uitgaven die voortvloeien uit de herinstallatie van een garantie-item, voor enig incidentele, resulterende of indirecte schade of voor eventuele transportkosten, arbeidskosten of exporttarieven.

Deze Beperkte Garantie bestaat naast mogelijke rechten voortvloeiend uit lokale wetgeving. Daarnaast verplicht deze Beperkte Garantie NAPOLEON niet tot het in voorraad houden van reserve-onderdelen. NAPOLEON kan, naar eigen goeddunken en gebaseerd op de verkrijgbaarheid van onderdelen, volledig aan haar verplichtingen voldoen door de klant een evenredig krediet te verlenen voor een nieuw product. Na het eerste jaar kan NAPOLEON, met het oog op deze Beperkte Garantie, naar eigen goeddunken alle door deze garantie opgelegde verplichtingen volledig nakomen door de originele koper de groothandelsprijs van alle defecte onderdelen met een geldige garantie terug te betalen.

Wanneer u een beroep doet op de garantie van NAPOLEON, heeft u de verkoopfactuur of een kopie daarvan nodig, samen met een serienummer en het modelnummer. NAPOLEON behoudt het recht om een vertegenwoordiger ieder product of onderdeel te laten inspecteren alvorens een garantieclaim te honoreren. U moet contact opnemen met de klantenservice van NAPOLEON of een geautoriseerde NAPOLEON-dealer om de voordelen van de garantiedekking te verkrijgen.



www.napoleon.com



WAARSCHUWING! Lees alle instructies voordat u het apparaat gebruikt.

Veilige gebruiksmethoden

- Gebruik deze grill enkel en alleen zoals omschreven in deze gebruiksaanwijzing. Alle gebruik dat niet wordt aangeraden in deze handleiding, kan resulteren in brand, elektrische schokken of letselschade.
- Deze grill is uitsluitend bedoeld voor buitenshuis huishoudelijk gebruik. Gebruik de grill niet binnenshuis of voor commerciële doeleinden.
- Breng geen wijzigingen aan aan dit product en gebruik het niet voor andere doeleinden..
- Gebruik geen houtskool of andere brandstoffen in deze grill. Deze grill is niet ontworpen voor het gebruik van houtskool. Dit kan resulteren in brand. Het vuur kan een onveilige situatie veroorzaken en de grill beschadigen.
- Gebruik dit type grill niet in een ingebouwde of uitschuifbare constructie. Het negeren van deze waarschuwing kan resulteren in brand of een explosie met materiële schade, ernstig lichamelijk letsel of de dood tot gevolg.

Elektrische Beveiligingen:

- Dit apparaat voldoet aan technische vereisten en de veiligheidsvereisten voor elektrische apparaten.
- Zorg er altijd voor dat het stopcontact de correcte spanning levert voor het ingeplugde apparaat. Stopcontacten moeten ook geschikt zijn voor apparatuur met een stroomverbruik van 2200 Watt.
- Zorg ervoor dat er geen andere apparaten met een hoog wattage in dezelfde stroomkring ingeplugd zijn wanneer u de grill gebruikt. Het apparaat moet verbonden zijn met een stopcontact met aardcontact.
- De voeding van het apparaat moet plaatsvinden via een aardlekschakelaar (RCD) met een aardlekstroom van maximaal 30 mA.
- Gebruik het apparaat niet als de stekeraansluiting beschadigd is.
- Het elektriciteits snoer moet regelmatig gecontroleerd worden op tekenen van schade en het apparaat mag niet gebruikt worden als het snoer beschadigd is.
- Gebruik de grill niet met een temperatuurregelaar met een beschadigd snoer of beschadigde stekker. Als het elektriciteits snoer beschadigd is, moet het vervangen worden door een speciale montage verkrijgbaar bij Napoleon of een erkend Napoleon-dealer.
- Mocht u een verlengsnoer gebruiken, zorg er dan voor dat het verlengsnoer ontworpen is voor buitengebruik en berekend is op het apparaat waar u het voor gebruikt.
- Als u een verlengsnoer gebruikt, zorg er dan voor dat de aangegeven elektriciteitsgegevens van het verlengsnoer overeenkomen met de elektriciteitsgegevens van het apparaat en verbind geen 2 of meer verlengsnoeren met elkaar.

Veilige Operatie:

- Plug de temperatuurregelaar altijd eerst in de grill voordat u het elektriciteits snoer in het stopcontact steekt.
- Trek het elektriciteits snoer van de grill eerst uit het stopcontact voordat u de temperatuurregelaar van de grill verwijdert.
- De temperatuurregelaar vastpakken bij de knop kan ervoor zorgen dat de knop afbreekt. Verwijder de temperatuurregelaar door het bij de zijanten vast te pakken.
- Mocht er een steekvlam ontstaan, blus deze dan dan niet met water. Schakel de grill UIT. Trek de stekker eruit en wacht totdat de grill afkoelt.
- Houd de stekker en het elektriciteits snoer droog tijdens gebruik. Gebruik de grill niet als het regent
- Bedien de grill enkel op een stabiele en vlakke ondergrond.
- Zorg ervoor dat het elektriciteits snoer de grill niet aanraakt wanneer de grill heet is.
- De vetopvangbak moet te allen tijde op zijn plek zitten als de grill in gebruik is.
- Verplaats de grill niet tijdens het gebruik ervan. Laat het apparaat afkoelen voordat u het verplaatst of opslaat.
- Laat de grill niet zonder toezicht achter wanneer deze in gebruik is.
- Houd jonge kinderen, ouderen en huisdieren uit de buurt van de grill wanneer deze in gebruik is
- Dit apparaat kan gebruikt worden door kinderen vanaf 8 jaar en mensen met fysieke, sensorische of geestelijke beperkingen of die de nodige ervaring of kennis niet hebben, zolang ze onder toezicht staan of uitgelegd is hoe ze het apparaat op een veilige manier moeten gebruiken en bewust zijn van de mogelijke gevaren. Dit apparaat is geen kinderspeelgoed. Laat kinderen de grill niet schoonmaken of onderhouden zonder toezicht.
- Laat de grill niet in contact komen met ontvlambare materialen zoals papier, muren, gordijnen, handdoeken, chemicaliën, enzovoort.
- Gebruik de grill niet in de buurt van brandbare materialen zoals hout, droog gras, struiken, enzovoort.
- Gebruik de grill niet in drukke gebieden. Leg het elektriciteits snoer niet in een looproute
- Gebruik de grill niet binnen 3 meter afstand van een zwembad, plas of ander waterlichaam om de grill te beschermen.
- Gebruik de grill niet als een verwarming.

Schoonmaak:

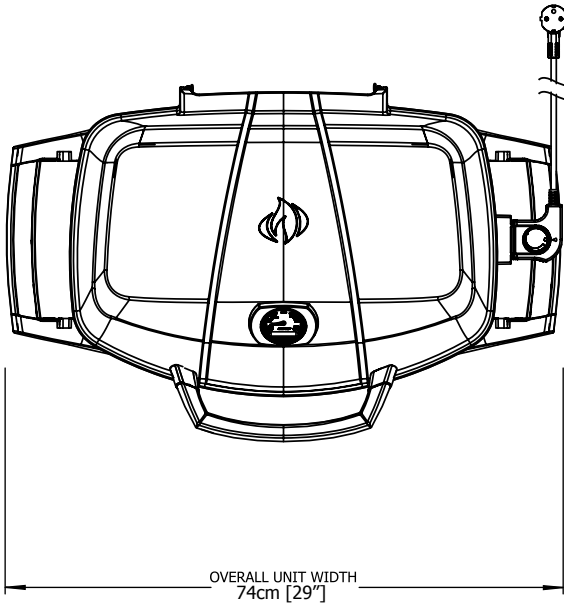
- Maak de lekbak regelmatig schoon.
- Dompel de grill niet onder in water om te reinigen
- Dompel de temperatuurregelaar niet met het elektriciteits snoer onder in water om te reinigen.

Opslagruimte:

- Haal de stekker uit het stopcontact wanneer de grill niet in gebruik is.
- Laat de temperatuurregelaar niet in de AAN-positie staan tijdens korte perioden waarin het niet gebruikt wordt.
- Verwijder de temperatuurregelaar van de grill als de grill gedurende langere tijd niet gebruikt wordt. Bewaar de temperatuurregelaar altijd binnenshuis wanneer deze niet wordt gebruikt.

AFMETINGEN

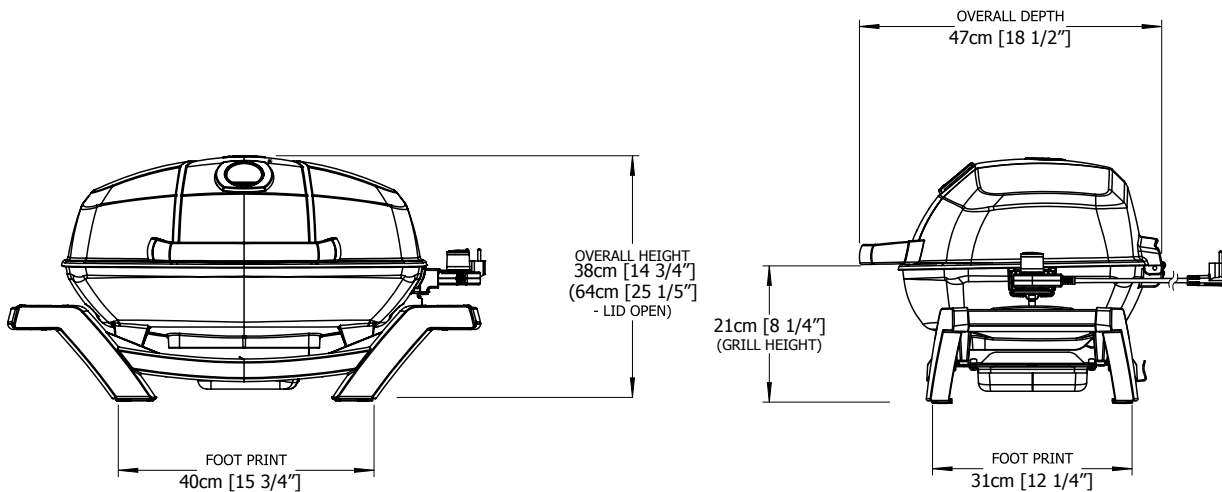
NL



PRO285E GRILL

GRILL SIZE: 37cm X 54cm (IRREGULAR) = 1840 cm² (14 1/2" X 21 1/4" (IRREGULAR) = 285 in²)

ALL DIMENSIONS ARE APPROXIMATE



WAARSCHUWING! Het is aanbevolen om tijdens het uitpakken en monteren voor uw veiligheid werkhandschoenen aan te trekken en een veiligheidsbril op te zetten. Hoewel we er alles aan doen om het montage proces zo goed en zo veilig mogelijk te maken, is het kenmerkend voor bewerkte stalen onderdelen dat de uiteinden en hoeken scherp kunnen zijn en verwondingen kunnen veroorzaken als ze tijdens de montage niet op de juiste manier worden behandeld.

Correcte verwijdering van dit product

Deze aanduiding geeft aan dat dit product in de gehele EU niet bij het overige huishoudelijke afval mag worden gezet. Recycle het verantwoord ter bevordering van duurzaam hergebruik van grondstoffen en ter voorkoming van mogelijke schade aan het milieu en de volksgezondheid t.g.v. ongecontroleerde dumping. Gebruik a.u.b. het teruggave- en verzamelsysteem, of neem contact op met de winkel waar u het product heeft gekocht. Daar kan men dit product op een milieuvriendelijke manier recycleren.

Grillinstructies



WAARSCHUWING! Gebruik deze grill niet onder uitgetrokken luifels. Het niet volgen van deze instructies kan in brand of lichamelijk letsel resulteren.



GEVAAR! Sla deze grill niet direct na gebruik op. Laat de grill afkoelen zodat u de grill kan aanraken voor deze te slaan of te bewegen. Het nalaten om dit te doen kan in een brand resulteren wat bezitsschade, lichamelijk letsel of dood kan veroorzaken.

De grill zal een lichte geur afgeven wanneer u de grill voor de eerste keer aanzet. Dit is normaal en tijdelijk. Het wordt veroorzaakt door de verbranding van interne verf en smeermiddelen die gebruikt zijn tijdens het productieproces, en het zal niet nog een keer gebeuren. Laat de temperatuursensor ongeveer **5** minuten op de hoogste stand draaien met de deksel open. Bij het bereiden van mager vlees zoals kippenborst of mager varkensvlees, kunt u olie op het rooster gieten voordat de grill warm wordt om te voorkomen dat het vlees blijft plakken. Het bereiden van vlees met een hoog vetgehalte kan ervoor zorgen dat het vuur oplaait. Verwijder een deel van het vet of verlaag de temperatuur om dit te voorkomen.

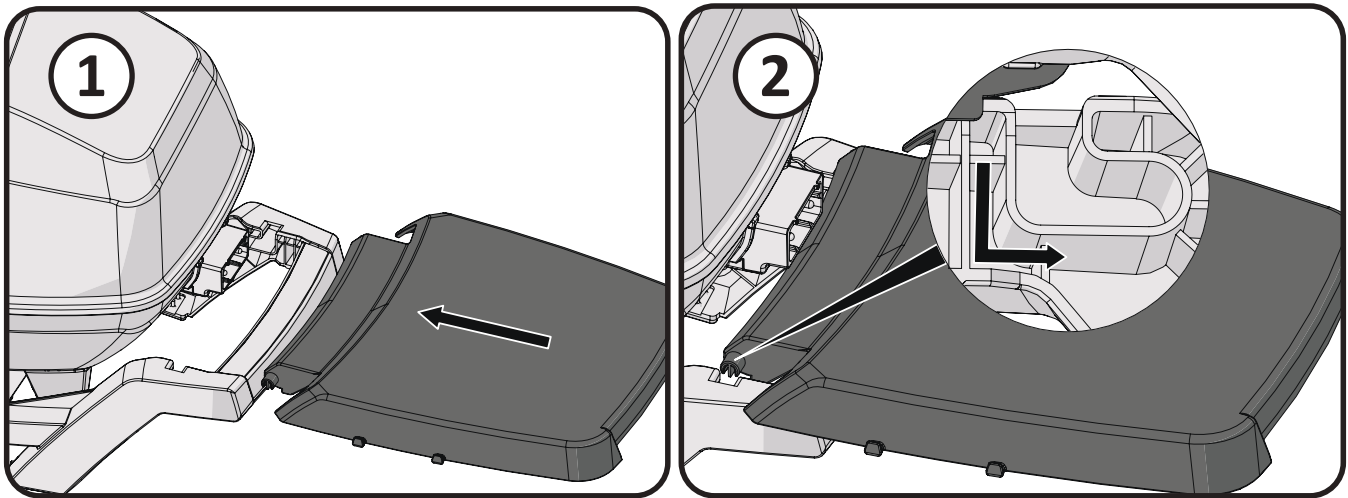
Gril-tabel

Etenswaren	Stand regelen	Bereidingstijd	Nuttige suggesties
Biefstuk Dikte van 2,54 cm	2 min. per kant op de hoge stand. 2 min. per kant op de hoge stand, daarna op de gemiddelde stand. 2 min. per kant op de hoge stand, daarna op de gemiddelde stand.	4 min. - rare 6 min. - medium 8 min. - doorbakken	Vraag bij het uitzoeken van vlees om te grillen naar een doorregen vetverdeling. Het vet maakt het vlees mals van nature tijdens het bereiden en houdt het vochtig en sappig.
Hamburger met dikte van 1,27 cm	2 min. per kant op de hoge stand. 2 1/2 min. per kant op de hoge stand. 3 min. per kant op de hoge stand.	4 min. - rare 5 min. - medium 6 min. - doorbakken	Hamburgers klaarmaken precies zoals gewenst, wordt eenvoudiger door de dikte van het vlees aan te passen. Voeg houtsnippers van hickoryhout toe aan de houtsnipperrookoven van Napoleon om een exotische smaak aan uw vlees toe te voegen.
Kippenstukjes	2 min. per kant op de hoge stand. Daarna op de gemiddeld-lage tot lage stand.	20-25 min.	Snijd het gewricht tussen de dij en het been driekwart door vanaf de huidloze kant om te zorgen dat het vlees platter op de grill kan liggen. Hierdoor kookt het sneller en gelijkmatiger. Voeg houtsnippers van mesquite-hout toe aan uw houtsnipperrookoven van Napoleon (optioneel accessoire) om een kenmerkende smaak aan uw vlees toe te voegen.
Varkenskoteletjes	Medium	6 min. per kant	Haal overtollig vet weg voordat u begint met grillen. Kies dikkere koteletjes voor malsere eindproducten.
Spareribs	5 min. op de hoge stand, op de lage stand om ze af te maken	20 min. per kant, vaak omdraaien	Kies spareribs uit die mager en vlezig zijn. Grill ze totdat het vlees makkelijk loslaat van het bot.
Lamskoteletjes	5 min. op de hoge stand, op de gemiddelde stand om ze af te maken	15 min. per kant	Haal overtollig vet weg voordat u begint met grillen. Kies extra dikke koteletjes voor malsere eindproducten.
Hotdogs	Gemiddeld-laag	4-6 min.	Kies worsten van een groter formaat. Snijd de huid in de lengte door voordat u begint met grillen.

Probleemoplossing

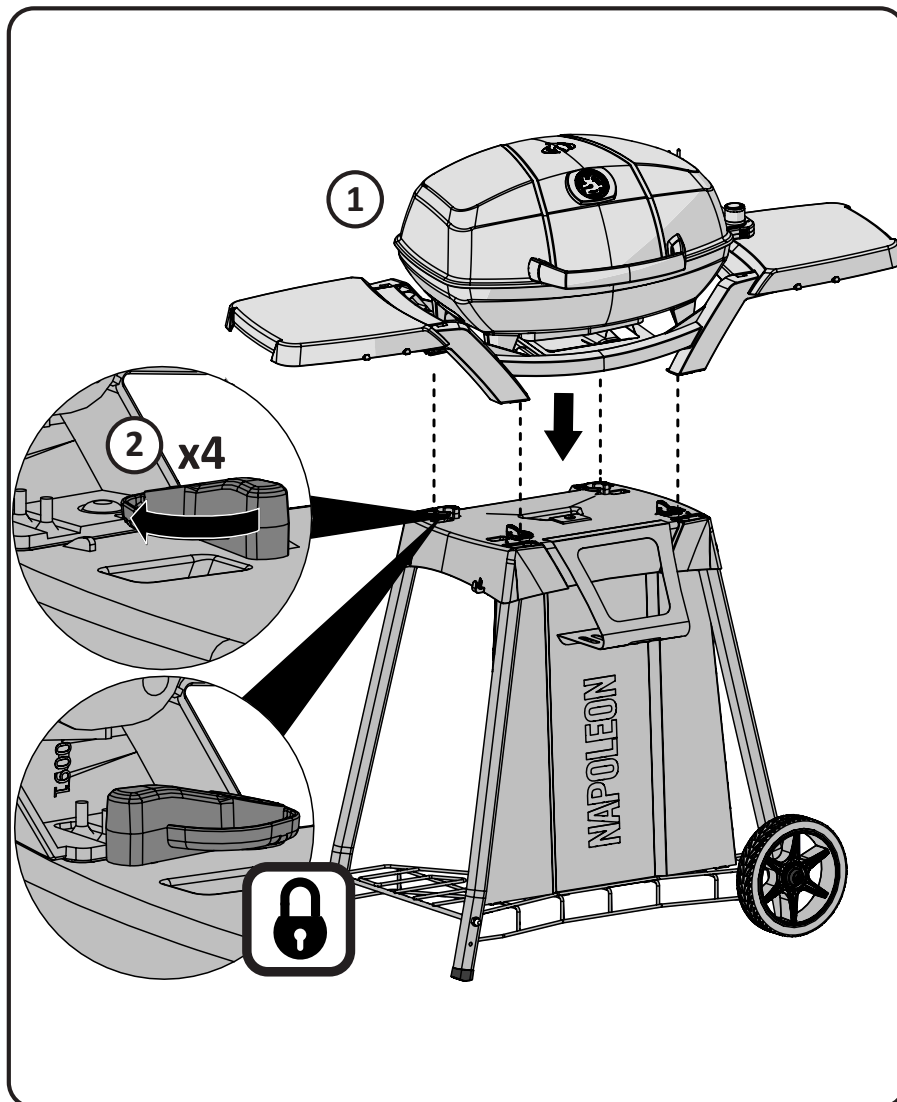
Probleem	Mogelijke oplossingen	Oplossing
Geen hitte.	<p>Temperatuursensor is uitgeschakeld. Geen elektriciteit.</p> <p>Defecte temperatuursensor of grillplaat.</p>	<p>Zet de temperatuursensor op de maximale stand. Controleer of de temperatuursensor volledig op zijn plaats zit op de grillplaat en kijk of de stekker goed in het stopcontact zit. Probeer een ander stopcontact. Controleer of de stroomonderbreker geactiveerd is. Reset. Zet de temperatuursensor op de maximale stand. Verwarm de grill 15 minuten lang voor met de deksel dicht.</p> <p>Vervang de temperatuursensor of de grillplaat.</p>
Lage hitte.	<p>Onvoldoende voorverwarmd</p> <p>Overtollige opbouw in de basis van de grill.</p>	<p>Voorverwarm 15 minuten lang. Verhoog de stand van de temperatuursensor.</p> <p>Verwijder overtollige deeltjes in de basis.</p>
Overtollig opklaaien van vuur / onregelmatige hitte	<p>Overtollig vet in het vlees. Te hoge grilltemperatuur.</p> <p>Vetopbouw.</p>	<p>Verwijder het vet van het vlees voordat u het grilt. Pas de temperatuur naar behoefte aan. Maak de grill schoon.</p>
Stroomonderbreker activeert of zekering brandt door.	<p>Stroomstoot</p> <p>Een ander apparaat in dezelfde stroomkring ingeplugd als de grill.</p> <p>Vocht of water in temperatuursensor of elektrische verbindingen.</p>	<p>Schakel de regelaar UIT voordat u de stekker in het stopcontact steekt.</p> <p>Gebruik geen andere elektrische apparaten in dezelfde kring.</p> <p>Houd de sensor en elektrische componenten droog.</p>

OPTIONELE PLANK



NL

OPTIONELE



Reinigings Instructies



NL

WAARSCHUWING! Gebruik deze grill niet onder een overkapping. Het niet opvolgen van deze instructies kan leiden tot brand of lichamelijk letsel.

GEVAARLIJK! Zet de grill niet meteen na gebruik in de opslag- of reismodus. Laat de grill afkoelen voordat u de grill verplaatst of opslaat. Als u dit niet doet kan het brand tot gevolg hebben, met als gevolg daarvan materiële schade, lichamelijk letsel of de dood.

De grill zal een lichte geur afgeven wanneer u de grill voor de eerste keer aanzet. Dit is normaal en tijdelijk. Het wordt veroorzaakt door de verbranding van interne verf en smeermiddelen die gebruikt zijn tijdens het productieproces, en het zal niet nog een keer gebeuren. Laat de temperatuursensor ongeveer ~~ÉÉN~~ **ÉÉN** uur op de hoogste stand draaien met de deksel open. Bij het bereiden van mager vlees zoals kippenborst of mager varkensvlees, kunt u olie op het rooster gieten voordat de grill warm wordt om te voorkomen dat het vlees blijft plakken. Het bereiden van vlees met een hoog vetgehalte kan ervoor zorgen dat het vuur oplaait. Verwijder een deel van het vet of verlaag de temperatuur om dit te voorkomen.

Gietijzere grillroosters: De bij uw nieuwe grill inbegrepen gietijzere grillroosters zijn uitermate goed in het vasthouden en verdelen van warmte. Door uw roosters regelmatig te laten acclimatiseren voegt u een bescherm laag toe die helpt om corrosie tegen te gaan en aanbakken tegengaat.

Eerste gebruik: Was de grillroosters met de hand met water en afwasmiddel om restproducten van het productieproces te verwijderen (was ze nooit in een vaatwasser). Spoel ze grondig af met heet water en droog ze volledig af met een zacht doekje. Dit is van belang om ervoor te zorgen dat er geen vocht in het gietijzer komt. De grill zal een lichte geur afgeven wanneer u de grill voor de eerste keer aanzet. Dit is normaal en tijdelijk. Het wordt veroorzaakt door de verbranding van interne verf en smeermiddelen die gebruikt zijn tijdens het productieproces, en het zal niet nog een keer gebeuren. Laat de temperatuursensor ongeveer ~~ÉÉN~~ **ÉÉN** uur op de hoogste stand draaien met de deksel open.

Beschermen met olie: Met gebruik van een zachte doek, bedek het volledige roosteroppervlak met VEGETARISCHE OLIE inclusief alle groeven en hoeken. Gebruik geen gezouten vet zoals boter of margarine. Warm uw barbecue voor gedurende 15 minuten, plaats vervolgens de met olie besmeerde bereidingsroosters in de barbecue. Zet de controle knop van de brander op medium met de kap gesloten. Laat de bereidingsroosters gedurende anderhalf uur opwarmen. Zet alle branders op 'OFF' en sluit het gas af bij de bron. Laat de bereidingsroosters staan totdat ze afgekoeld zijn. Deze procedure moet verschillende keren herhaald worden gedurende het seizoen. Het is niet vereist voor dagelijks gebruik (zie de procedure voor dagelijks gebruik hieronder).

Dagelijks gebruik: Bedek het hele bovenoppervlak van de grillroosters met gehard (plantaardig) vet voordat u de grill gaat voorverwarmen en schoonmaken met een grillborstel met koperdraad. Verwarm de grill voor en schrob enige ongewenste overblijfselen weg met een koperdraadborstel.

De binnenkant van de grill schoonmaken: Verwijder de grillplaat. Gebruik een zachte koperdraadborstel om losse deeltjes uit de binnenkant van de deksel te halen. Veeg alle deeltjes uit de binnenkant van de grill in de verwijderbare lekbak. Zorg ervoor dat de grillplaat op de juiste manier teruggeplaatst wordt. Verwijder de deksel van de basis. Gebruik geen schurende reinigingsmiddelen om de porseleinen deksel van de basis schoon te maken. Om hardnekkige vlekken te verwijderen, week het in water met zeep om het vuil los te maken. Maak het schoon met een niet-schurend reinigingsmiddel en poets het droog met een schoon doekje.

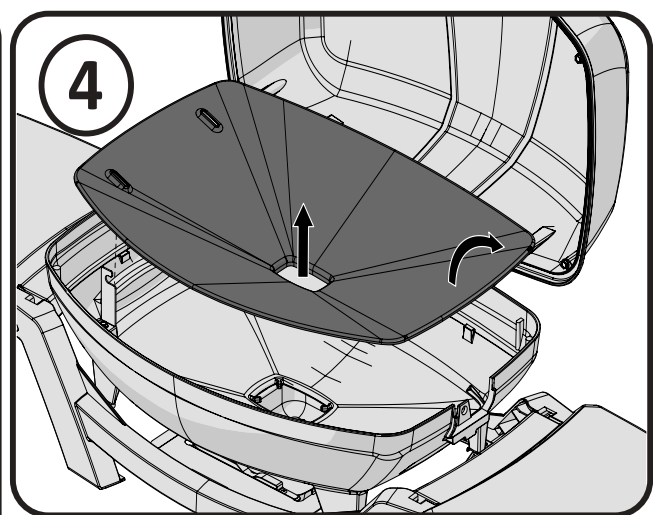
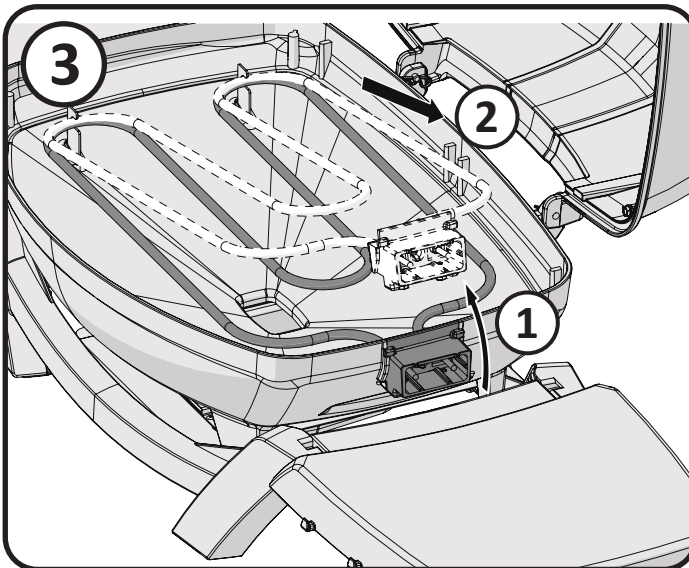
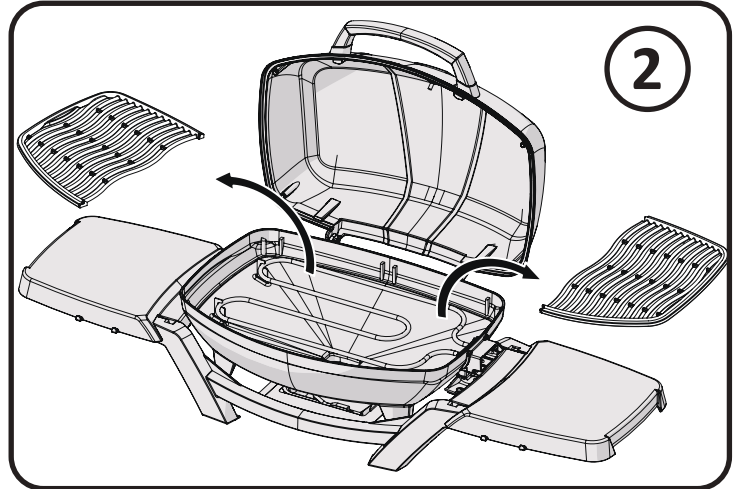
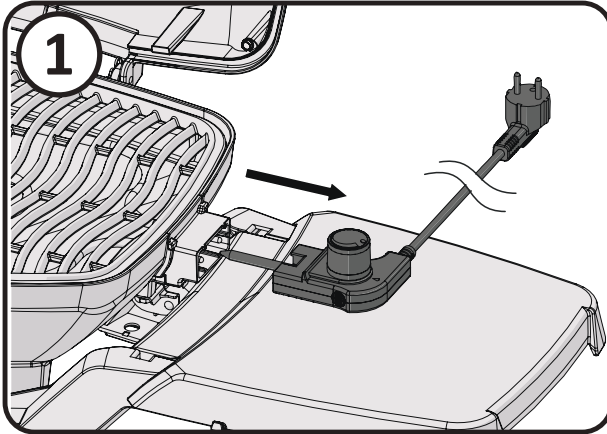
Lekbak: Schuif de lekbak uit de grill om het makkelijk schoon te maken. De lekbak moet regelmatig schoongemaakt worden (na iedere 4-5 keer grillen) om vetopbouw te vermijden. Vet en overtollig druppelen wordt opgevangen in de lekbak onder de grill. Opgehoopt vet vormt een brandgevaar. Stop geen aluminiumfolie in de lekbak, want hierdoor kan de luchttoevoer die de brander nodig heeft geblokkeerd raken. De lekbak kunt u het beste uitschrapen met een plamuurmes of een krabber.

De buitenkant van de grill schoonmaken: Gebruik geen schurende reinigingsmiddelen om onderdelen van roestvrij staal schoon te maken. Om roestvrije oppervlakken schoon te maken kunt u het beste gebruik maken van een reinigingsmiddel voor roestvrij staal of een niet-schurend reinigingsmiddel. Veeg altijd in de richting van de korrel. Gebruik geen staalwol, want dit kan krassen maken op het oppervlak en kleine ferrometaaldeeltjes achterlaten waardoor roestvorming erger kan worden. Onderdelen van roestvrij staal veranderen van kleur als ze verhit worden. Meestal worden ze goudkleurig of bruin. Deze verkleuring is normaal en heeft geen invloed op het functioneren van de grill.

Schoonmaakstappen

Demontage:

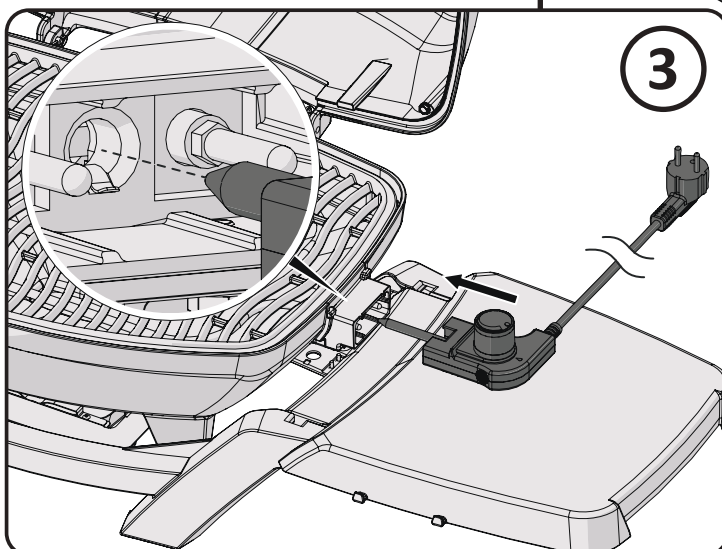
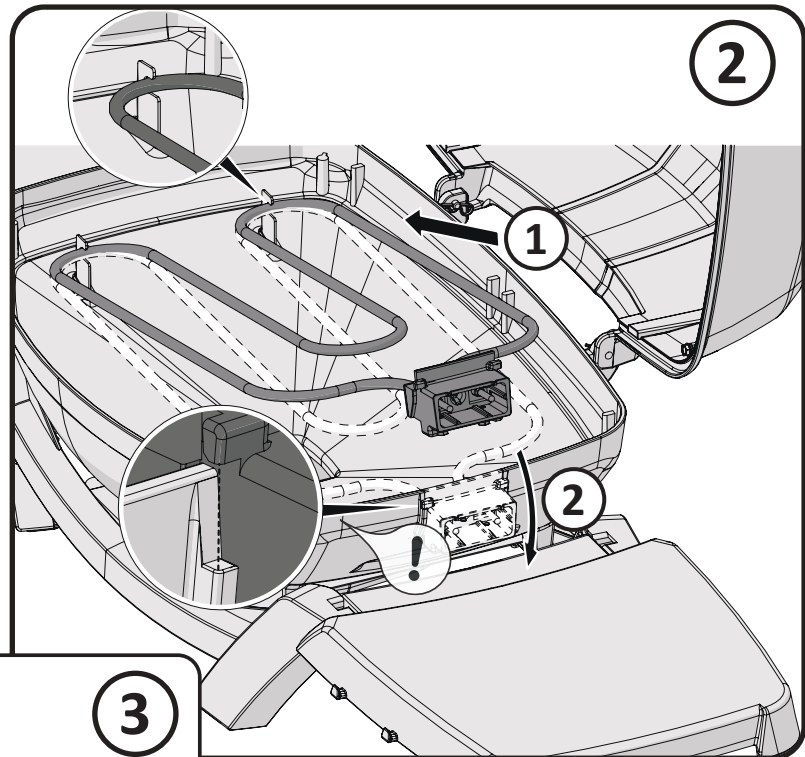
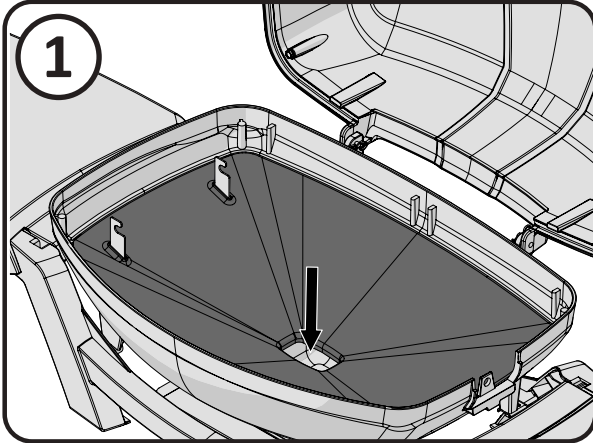
1. Haal de stekker uit het stopcontact en demonteer de thermostaat
2. Verwijder de roosters
3. Til het verwarmingselement uit de grill
4. Verwijder de geëmailleerde schaal



NL

Montage:

1. Plaats de geëmailleerde schaal terug in de grill
2. Plaats het verwarmingselement terug in de houder
3. Plaats de thermostaat en roosters terug in de grill



NL

BEWAAR UW AANKOOPBEWIJS VOOR EVENTUELE GARANTIEAANVRAGEN:

RESERVEONDERDELEN BESTELLEN BELANGRIJKE-INFORMATIE

MODEL: _____

AANKOOPDATUM: _____

SERIENUMMER: _____

(Vul in om later makkelijk terug te kunnen vinden)

Voor reserveonderdelen kunt u contact opnemen met de Napoleon-dealer waar het product is gekocht. Bezoek de Napoleon Grills website voordat u met de dealer contact opneemt voor uitvoerige instructies m.b.t. schoonmaken, troubleshooten en onderhoud: www.napoleongrills.nl.

Om een garantieaanvraag in te dienen vragen we om de volgende informatie:

1. Model- en serienummer van het apparaat.
2. Artikelnummer en -beschrijving.
3. Een beknopte probleembeschrijving ('kapot' is niet toereikend).
4. Aankoopbewijs (kopie van de rekening).

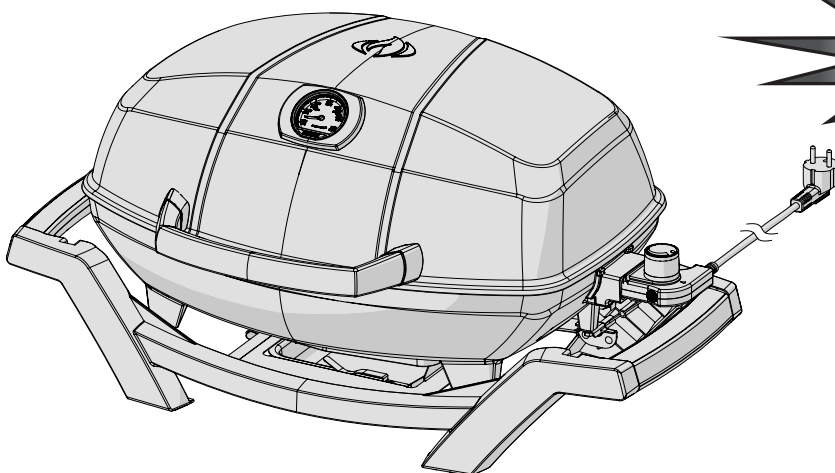
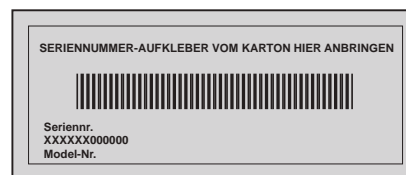
In sommige gevallen kan Napoleon verzoeken de gereclameerde onderdelen terug te sturen voor inspectie, voordat reserveonderdelen geleverd worden.

NB: Voor u contact met uw dealer opneemt, het volgende is niet onder garantie gedekt:

- Verzendkosten, commissies, exportheffingen.
- Arbeidstijd en -kosten van de reparatie.
- Communicatiekosten t.b.v. de problemdiagnose.
- Verkleuring van roestvast staal.
- Defecten veroorzaakt door gebrekkige reiniging en/of gebrekkig onderhoud, of door verkeerd gebruik van reinigingsmiddelen (ovenreiniger en agressieve chemicaliën).



NL



PRO285E

DE

 **ACHTUNG!**
GEFAHR DURCH STROMSCHLAG

Dieses Gerät ist für zertifiziert und zugelassen für
220-240 V - 50/60 Hz
2200 W



ACHTUNG! Nicht befolgen dieser Anleitung kann zu Brand, Sachschäden und möglichen tödlichen Verletzungen führen. Nur für den Einsatz im Außenbereich. Anleitung für künftige Referenz aufbewahren.



WARNUNG!

- Nur für den Gebrauch im Freien.
- Bei der Verwendung von Elektrogeräten sollten immer die grundlegenden Sicherheitsvorkehrungen, einschließlich der folgenden, befolgt werden, um das Risiko von fire, Stromschlag, Verletzungen und Sachschäden zu verringern.
- Bewahren sie Dieses Handbuch zur weiteren Referenz auf



N415-0478W JAN 20.21

Wolf Steel Europe BV
De Riemsdijk 22, 4004 LC, Tiel
The Nederlands
eu.info@napoleon.com

www.napoleon.com

Napoleon President Beschränkte Garantie auf Lebenszeit



Hochwertige Komponenten und Materialien bilden die Grundlage der NAPOLEON Produkte. Sie werden von gelernten Handwerkern, denen ihre Arbeit mit großem Stolz erfüllt, montiert. Dieses Produkt wurde durch einen Fachmonteur gründlich geprüft, bevor es verpackt und ausgeliefert wurde, um zu garantieren, dass Sie, der Kunde, das erwartete Qualitätsprodukt von NAPOLEON erhalten.

NAPOLEON garantiert, dass die Bestandteile Ihres neuen NAPOLEON Produkts ab dem Kaufdatum für den folgenden Zeitraum frei von Material- und Arbeitsfehlern sein werden:

Alugussteile / Edelstahlrahmen	10 Jahre
Porzellan-Emaillierter Fettschild	5 Jahre voller Umfang, danach abzüglich 50 % bis zum 10. Jahr
Grillroste aus porzellanbeschichtetem Gusseisen	5 Jahre voller Umfang, danach abzüglich 50 % bis zum 10. Jahr
Heizungselement und Temperaturregler	2 Jahre
Alle anderen Teile	2 Jahre

*Bedingungen und Beschränkungen

Diese beschränkte Garantie bewirkt eine wie zuvor in der Aufstellung aufgeführte Garantiefrist für jedes bei einem autorisierten NAPOLEON Händler erworbene Produkt und berechtigt den ursprünglichen Käufer, entsprechend den geltenden Bestimmungen hinsichtlich des Komponentenaustauschs innerhalb der Garantiefrist, zu den entweder durch NAPOLEON oder einen autorisierten NAPOLEON Händler zu erbringenden Garantieleistungen. Diese beziehen sich auf den Austausch einer Komponente eines solchen Produkts, das im normalen Privatgebrauch infolge eines Herstellungsfehlers ausfiel. „Abzüglich 50 %“, wie in der Aufstellung genannt, bedeutet, dass die Komponente dem Käufer für den angegebenen Zeitraum mit 50 % Rabatt auf den regulären Verkaufspreis der Komponente angeboten wird. Diese beschränkte Garantie umfasst weder Zubehör noch Extrateile.

Um Missverständnissen vorzubeugen, „normaler Privatgebrauch“ eines Produkts bedeutet, dass das Produkt durch einen lizenzierten, autorisierten Servicetechniker oder Auftragnehmer in Übereinstimmung mit der dem Produkt beigefügten Installationsanleitung sowie allen lokalen und nationalen Bauverordnungen und Feuerschutzbestimmungen installiert wurde, dass es ordnungsgemäß gepflegt wurde und dass es nicht als Gemeinschaftsvorrichtung oder gewerblich genutzt wurde.

„Ausfallen“ beinhaltet nicht: übermäßige Hitzeerzeugung; Erlöschen der Flammen infolge von Umgebungsbedingungen wie starkem Wind oder unzureichender Luftzirkulation; Kratzer; Beulen; Rostbildung; Abnutzung von aufgetragenen Lackierungen und Plattierungen; durch Hitzeeinwirkung, scheuernde oder chemische Reinigungsmittel oder UV-Bestrahlung verursachte Verfärbung; Beschädigung porzellan-emaillierter Teile oder Schäden, die verursacht wurden durch unsachgemäße Nutzung, Unfall, Hagel, Fettbrand, mangelnde Pflege, widrige Umgebungseinflüsse wie Salz oder Chlor, Umbau, Nachlässigkeit oder installierte Teile von anderen Herstellern. Sollten sich während der gewährten

Garantiefrist Teile so sehr abnutzen, dass die Nutzung nicht mehr möglich ist (durchgerostet oder -gebrannt), werden die entsprechenden Ersatzteile bereitgestellt.

NAPOLEON ist gemäß dieser beschränkten Garantie einzig für die Ersatzkomponente verantwortlich. Unter keinen Umständen wird NAPOLEON Verantwortung übernehmen für Installation, Arbeitskräfte oder jegliche andere Kosten im Zusammenhang mit der Installation eines im Garantiefumfang enthaltenen neuen Teils; für Neben-, Folge- oder indirekte Schäden oder für Fracht, Arbeitskosten oder Ausfuhrzölle.

Diese beschränkte Garantie gilt in Ergänzung zu jeglichen Rechten, die Ihnen laut den örtlichen Gesetzen zustehen. Folglich erlegt diese beschränkte Garantie NAPOLEON keine Verpflichtung dahingehend auf, Einzelteile vorrätig zu halten. Auf der Grundlage der Einzelteilverfügbarkeit kann sich NAPOLEON nach eigenem Ermessen von allen Verpflichtungen entbinden, indem dem entsprechenden Kunden eine anteilige Gutschrift beim Kauf eines neuen Produkts gewährt wird. Nach dem ersten Jahr kann sich NAPOLEON in Bezug auf diese beschränkte Garantie nach eigenem Ermessen von allen Verpflichtungen hinsichtlich dieser Garantie vollständig entbinden, indem dem ursprünglichen und ein Garantieanspruch zustehenden Käufer der Großhandelspreis eines jeden im Garantiefumfang enthaltenen aber defekten Einzelteils erstattet wird.

Für die Geltendmachung von Garantieansprüchen bei NAPOLEON sind der Kaufvertrag oder eine Kopie dessen sowie die Serien- und Modellnummer erforderlich.

NAPOLEON ist das Recht vorbehalten, durch einen damit beauftragten Vertreter jedes Produkt oder Teil prüfen zu lassen, bevor einem Garantieanspruch stattgegeben wird. Sie müssen sich an den NAPOLEON Kundendienst oder einen autorisierten NAPOLEON Händler wenden, um von der angebotenen Garantie profitieren zu können.



www.napoleon.com



ACHTUNG! Alle Anweisungen lesen vor Inbetriebnahme des Grills.

Sicherheitsanweisungen

- Der Grill ist nur wie in dieser Anleitung beschrieben zu benutzen. Unsachgemäße Benutzung kann zu Brand, Stromschlag oder persönlichen Verletzungen führen.
- Dieser Grill darf nur von Privatpersonen im Außenbereich verwendet werden. Nicht innen oder gewerblich betreiben.
- Modifizieren des Grills und unsachgemäße Benutzung sind untersagt.
- Keine Holzkohle oder andere Brennstoffe im Grill verwenden. Dieser Grill ist nicht für Holzkohle konzipiert.
- Grill nicht irgendwo einbauen oder betreiben. Dies kann zu Brand, einer Explosion, Sach- oder persönlichen, inklusive tödlichen, Schäden führen.

Elektrische Schutzmaßnahmen:

- Dieses Gerät entspricht technischen Richtlinien und Sicherheitsstandards für elektrische Geräte.
- Sorgen Sie dafür, dass die Steckdose die korrekte Stromstärke liefert. Steckdosen müssen Geräte bis 2200 Watt versorgen können.
- Keine anderen Geräte mit derselben Gruppe verbinden wenn der Grill eingeschaltet ist.
- Der Grill ist nur mit einer geerdeten Steckdose zu verbinden.
- Der Grill ist nur über einen Fehlerstromschutzschalter mit FI-Schalter von max. 30 mA anzuschließen.
- Den Grill nicht betreiben, wenn die Steckdose beschädigt ist.
- Das Netzkabel ist regelmäßig auf Spuren von Schäden zu überprüfen, den Grill nur mit intaktem Kabel zu benutzen.
- Der Grill darf nicht mit einem defekten Temperaturregler, defektem Stecker oder Kabel betrieben werden. Ein neuer Temperaturregler ist von Napoleon oder einem autorisierten Händler zu erwerben.
- Verwendete Verlängerungskabel sollten für den Außenbereich zulässig und für entsprechende Stromstärken geeignet sein. Maximal 1 Verlängerungskabel erlaubt.

Sichere Operation:

- Immer erst den Temperaturregler mit dem Grill verbinden bevor der Grill mit dem Stromnetz verbunden wird. Immer erst den Grill vom Netz trenne, bevor Sie den Temperaturregler abkoppeln.
- Temperaturregler nicht beim Knopf abziehen; dieser kann sich lösen. Regler zum Entfernen an den Seiten anfassen.
- Im Fall einer Stichflamme, NICHT mit Wasser löschen. Grill ausschalten, vom Netz trennen und abkühlen lassen.
- Grill nur auf stabiler und waagerechter Fläche betreiben.
- Kabel vor lostreten schützen.
- Kabel von Grill in Betrieb fernhalten.
- Fettwanne während des Grillens nie entfernen.
- Grill während Benutzung nicht bewegen.
- Grill nicht unbeaufsichtigt lassen wenn in Betrieb.
- Dieses Gerät darf von Kindern ab 8 Jahren und Personen mit beschränkten geistlichen und motorischen Vermögen, oder denjenigen mit beschränkter Erfahrung im Grillen unter Aufsicht betrieben werden. Oder nach Instruktion im Hinblick auf Sicherheit und die korrekte Bedienung des Grills, sofern Sie die mit dem Grillen verbundenen Gefahren kennen. Reinigung und Wartung durch oben genannte Personen dürfen nicht unbeaufsichtigt durchgeführt werden.
- Grill nicht in der Nähe von brennbaren Stoffen (Holz, trockenes Gras, Sträucher etc.), oder zu nah an andere brennbare Materialien (Papier, Handtücher, Wände, Vorhänge, Chemikalien etc.) betreiben.
- Grill nicht in belebter Umgebung betreiben.
- Grill mindestens 3 Meter von Wasser (Pool, Teich etc.) entfernt betreiben.
- Nicht als Heizgerät verwenden.
- Vor Transport oder Lagerung abkühlen lassen.

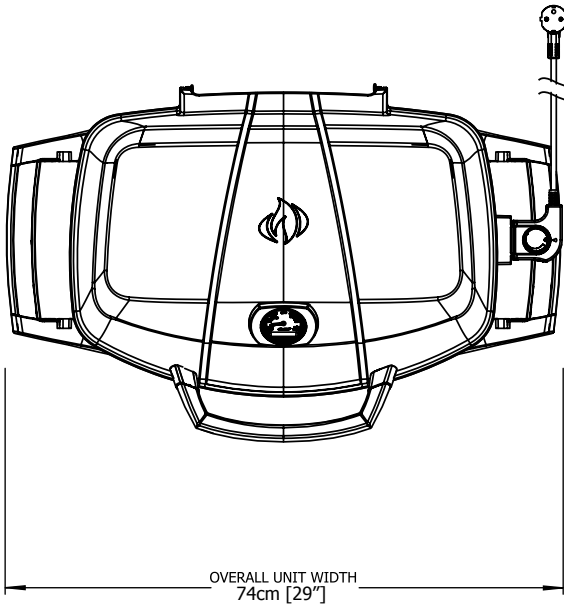
Reinigung:

- Fettwanne regelmäßig reinigen.
- Temperaturregler und Kabel bei Reinigung nicht untertauchen.
- Zum Schutz gegen Stromschlag, Grill und Teile nicht untertauchen.

Lager:

- Kabel und Stecker während des Betrieb trocken halten.
- Do not leave temperature controller in the ON position during periods of non-use. Temperaturregler nicht auf ‚eingeschaltet‘ lassen wenn der Grill kurz ausgeschaltet wird.
- Bei längerer Nichtbenutzung, den Temperaturregler entfernen und im Haus aufbewahren.

DIMENSIONEN

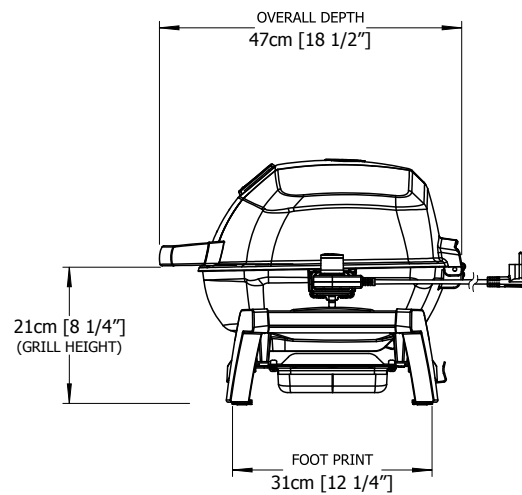
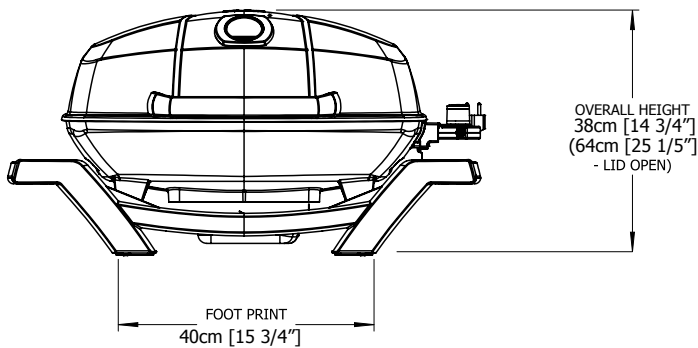


PRO285E GRILL

GRILL SIZE: 37cm X 54cm (IRREGULAR) = 1840 cm² (14 1/2" X 21 1/4" (IRREGULAR) = 285 in²)

ALL DIMENSIONS ARE APPROXIMATE

DE



ACHTUNG! Wir empfehlen beim Entpacken des Gerats und bei der Montage Arbeitshandschuhe und eine Schutzbrille zu tragen. Wir unternehmen alle Anstrengungen, den Montageprozess so problemlos und sicher wie moglich zu machen, doch bearbeitete Stahlteile haben ublicherweise scharfe Kanten und Ecken, die zu Schnittverletzungen fuhren konnen, wenn sie wahrend der Montage unsachgema gehandhabt werden.

Entsorgung von Altgeraten aus privaten Haushalten in der EU

Dieses Symbol auf dem Produkt oder dessen Verpackung gibt an, dass das Produkt innerhalb der EU nicht zusammen mit dem Restmull entsorgt werden darf. Die separate Sammlung und das Recyceln Ihrer alten Elektrogerate zum Zeitpunkt ihrer Entsorgung tragt zum Schutz der Umwelt bei und gewahrleistet, dass sie auf eine Art und Weise recycelt werden, die keine Gefahrdung fur die Gesundheit des Menschen und der Umwelt darstellt. Es obliegt daher Ihrer Verantwortung, das Gerat an einer entsprechenden Rucknahmestelle fur die Entsorgung oder Wiederverwertung von Elektro- oder Elektronik-Altgeraten aller Art abzugeben oder wenden Sie sich an den Handler, von dem das Produkt erworben wurde. Gema den lokalen Bestimmungen gewahrleisten diese Stellen, dass das Gerat auf eine Art und Weise recycelt wird, die keine Gefahrdung fur die Umwelt darstellt.

Grillanleitung



WARNUNG! Verwenden Sie den Grill nicht unter ausgeklappten Markisen oder Sonnensegeln. Ein Unterlassen der Anweisung kann zu Feuer oder Verletzungen führen.



ACHTUNG! Klappen Sie den Grill nicht unmittelbar nach der Verwendung in den Aufbewahrungs- bzw. Transportmodus. Lassen Sie den Grill ganz abkühlen bevor Sie ihn bewegen oder aufbewahren. Ein Unterlassen dieser Anweisung kann zu einem Feuer und Sachschaden, Verletzungen oder Tod führen.

Beim ersten Erhitzen gibt der Grill einen leichten Geruch ab. Dieser Geruch wird durch das „Einbrennen“ der Beschichtung und Verdunsten der Schmiermittel aus der Fertigung verursacht. Dies ist normal und tritt später nicht mehr auf. Vor dem ersten Grillen einfach den Grill mit geöffnetem Deckel ca. ½ Stunde auf max. heizen. Vor dem Grillen von magerem Fleisch wie Hähnchenbrust oder magerem Schweinefleisch ist es am besten, die Roste vor dem Vorwärmen zu ölen, damit das Fleisch nicht anlebt. Beim Grillen von sehr fettem Fleisch kann es zum Aufflammen kommen. Um Aufflammen zu verhindern, können Sie Fett abschneiden oder mit niedrigerer Temperatur grillen.

Infrarot-Grilltabelle

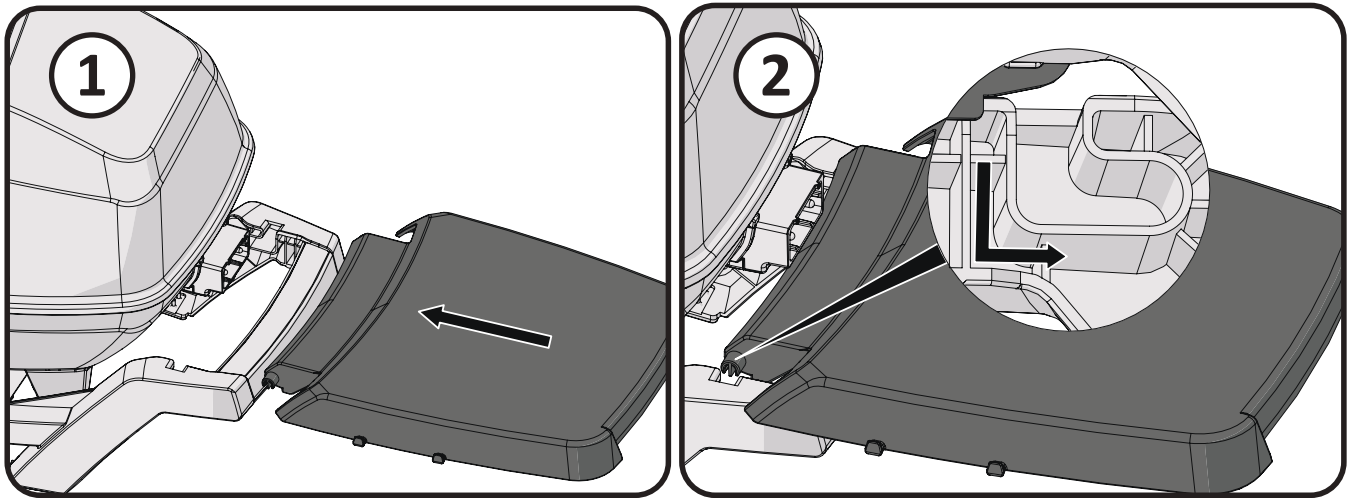
Grillgut	Brennerstufe	Grillzeit	Empfehlungen
Steak, 2,54 cm dick	2 Min. pro Seite auf höchster Stufe 2 Min. pro Seite auf höchster Stufe, dann mittlere Stufe 2 Min. pro Seite auf höchster Stufe, dann mittlere Stufe	Englisch: 4 Min. Medium: 6 Min. Durch: 8 Min.	Durchwachsenes Fleisch eignet sich am besten zum Grillen. Das Fett macht das Fleisch zart und saftig.
Hamburger, 1,27 cm dick	2 Min. pro Seite auf höchster Stufe 2,5 Min. pro Seite auf höchster Stufe 3 Min. pro Seite auf höchster Stufe	Englisch: 4 Min. Medium: 5 Min. Durch: 6 Min.	Wieweit der Hamburger durch sein soll, kann man auch durch seine Dicke bestimmen. Hickoryspäne im Räucherkasten des Napoleon-Grills gibt dem Fleisch einen exotischen Geschmack.
Hähnchenstucke	2 Min. pro Seite auf höchster Stufe, dann mittlere bis unterste Stufe	20-25 Min.	Gelenk zwischen Ober- und Unterschenkel auf der hautlosen Seite $\frac{3}{4}$ durchschneiden, damit das Fleisch flach auf dem Grill liegt. So wird es schneller und gleichmäßiger gegrillt. Mesquitspäne im Räucherkasten des Napoleon-Grills verleiht dem Fleisch einen ganz besonderen Geschmack.
Schweinekotelett	Mittlere Stufe	6 Min. pro Seite	Vor dem Grillen überschüssiges Fett abschneiden. Dicke Koteletts werden zarter.
Spare ribs	5 Min. auf höchster Stufe, dann niedrige Stufe zum Garen	20 Min. pro Seite, oft wenden	Magere, fleischige Spareribs sind die besten. Solange grillen, bis das Fleisch sich leicht von den Knochen lösen lässt.
Lammkotelette	5 Min. auf höchster Stufe, dann mittlere Stufe zum Garen	15 Min. pro Seite	Vor dem Grillen überschüssiges Fett abschneiden. Dicke Koteletts werden zarter.
Würstchen	Mittlere bis niedrigste Stufe	4-6 Min.	Dicke Würstchen sind am besten geeignet. Vor dem Grillen der Länge nach aufschlitzen.

DE

Fehlerbehebung

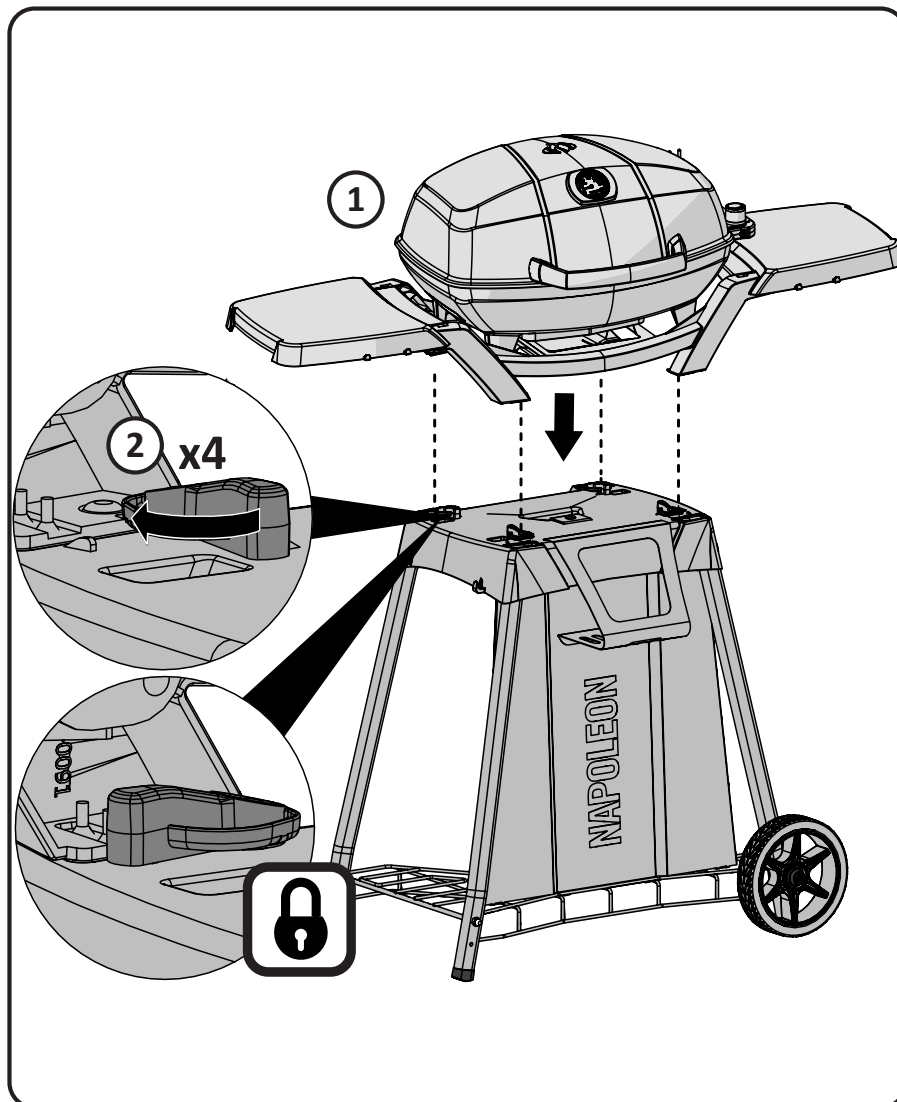
Problem	Mögliche Ursachen	Lösung
Keine Hitze	Temperaturregler abgeschaltet	Regler auf max schalten. Kontrolliere, ob Regler korrekt mit dem Grill und dem Netz verbunden ist. Probiere eine andere Steckdose. Kontrolliere, ob Leistungsschutzschalter ausgelöst ist. Grill 10 Minuten mit geschlossener Haube vorheizen. Thermometer oder Grillplatte ersetzen.
Niedrige Temperatur	Zu kurzes Vorheizen Rückständeüberschuss im Grill	15-20 Minuten vorheizen. Temperaturregler höher drehen. Rückstände entfernen.
Stichflammen / ungleichmäßige Hitze-verteilung	Zu fettes Fleisch Grillen bei zu hoher Temperatur Zu viel Fett im Grill	Fett abschneiden. Temperatur senken. Grill reinigen.
Leistungsschutz- schalter ausgelöst.	Überlast Zu viele Geräte auf LS-Schalter. Feucht oder Wasser in Thermometer oder in elektrische Verbindungen.	Temperaturregler abschalten, bevor der Grill mit dem Netz verbunden wird. Andere Geräte entfernen. Thermometer und elektrische Teile trocken aufbewahren.

OPTIONALE ABLAGE



DE

ZUBEHÖR STAND





Reinigungsanleitung

VORSICHT! Beim Reinigen Arbeitshandschuhe und eine Schutzbrille tragen.

VORSICHT! Zum Reinigen muss der Grill abgekühlt sein. Heiße Flächen nicht ungeschützt berühren. Grill an einen Ort stellen, wo das Reinigungsmittel keine Umweltschäden verursachen kann (nicht auf der Terrasse oder dem Rasen). Kein Teil dieses Grills darf mit Ofenreiniger gereinigt werden. Grillroste oder andere Teile des Grills nicht in einem selbstreinigenden Ofen säubern. Grill regelmäßig reinigen, da Barbecue-Sauce und Salz das Metall angreifen, und Korrosionsschäden verursachen können.

Gusseisen Grillroste: Die Gusseisen Grillroste Ihres neuen Grills bieten hervorragende Hitzespeicherung und –Verteilung. Durch regelmäßiges Einfetten der Grillroste entsteht eine Schutzschicht, die Korrosion reduziert und das Ankleben von Fleisch reduziert.

Erste Verwendung: Waschen Sie den Grillrost mit einem milden Spülmittel, um etwaige Produktionsrückstände zu entfernen (Nicht in der Spülmaschine waschen). Mit heißem Wasser abspülen und mit einem weichen Tuch trocknen, um ein Eindringen von Feuchtigkeit in das Gusseisen zu verhindern. Beim ersten Erhitzen gibt der Grill einen leichten Geruch ab. Dieser Geruch wird durch das „Einbrennen“ der Beschichtung und Verdunsten der Schmiermittel aus der Fertigung verursacht, ist normal und tritt später nicht mehr auf. Vor dem ersten Grillen einfach den Grill mit geöffnetem Deckel ca. ½ Stunde auf max. heizen.

Einbrennen: Verwenden Sie ein weiches Tuch, um die gesamte Fläche des Grillrostes mit Pflanzenfett einzureiben. Stellen Sie sicher, dass auch alle Aussparungen und Ecken mit einer Ölschicht bedeckt sind. Verwenden Sie keine salzhaltigen Fette, wie beispielsweise Butter oder Margarine. Heizen Sie den Grill 15 Minuten vor, und platzieren Sie dann die mit Öl eingeriebenen Grillroste auf dem Grillgerät. Schließen Sie die Grillhaube, und drehen Sie das Bedienelement auf mittlere Stufe. Lassen Sie die Grillroste für ca. eine halbe Stunde bei dieser Temperatur auf dem Grill „einbrennen“. Thermostat ausschalten und lassen Sie die Grillroste auf dem Grillgerät vollständig abkühlen. Während der Grillsaison sollte dieser Vorgang mehrere Male wiederholt werden, um die Grillroste gut einzubrennen. Es ist jedoch nicht nötig, diesen Vorgang bei jedem Gebrauch zu wiederholen (Tipps zur täglichen Pflege vor dem Grillen finden Sie untenstehend).

Täglicher Gebrauch: Vor dem Vorheizen und Reinigen mit einer Messingdrahtbürste die gesamte Oberfläche des Grillrosts mit Pflanzenfett einreiben. Grill vorheizen und Rückstände mit der Messingdrahtbürste entfernen.

Gasgrill Innenseite reinigen: Grillroste entfernen. Rückstände mit einer Messingbürste von Gussteilen und unter dem Grilldeckel entfernen. Alle Rückstände im Inneren des Grills in die abnehmbare Fettauffangschale fegen. Grillrost wieder einlegen. Bei Reinigung des Deckels keine aggressiven Reiniger verwenden. Hartnäckige Flecken erst in Seifenwasser einweichen lassen. Mit nicht aggressiven Reinigungsmitteln reinigen, mit sauberem Tuch trocknen.

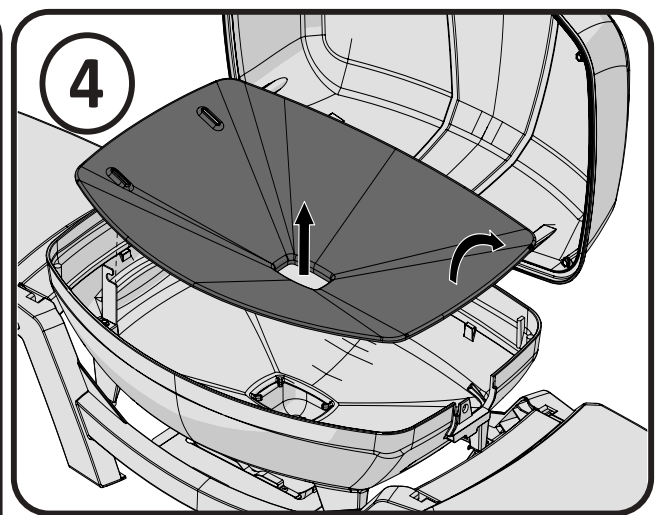
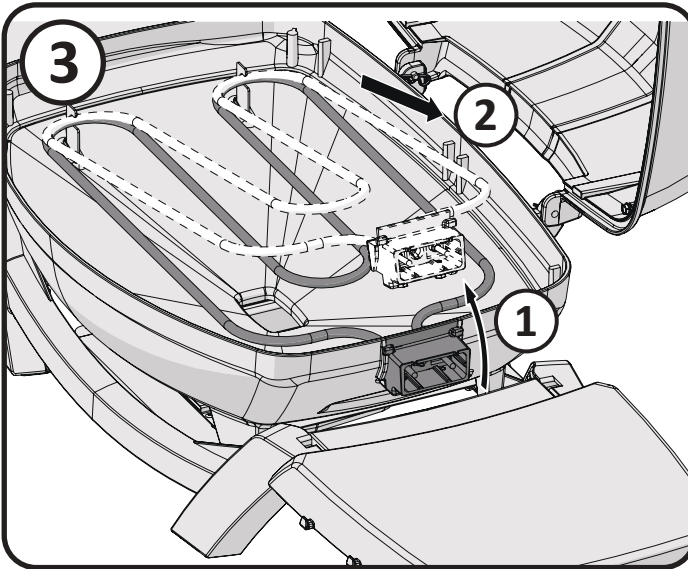
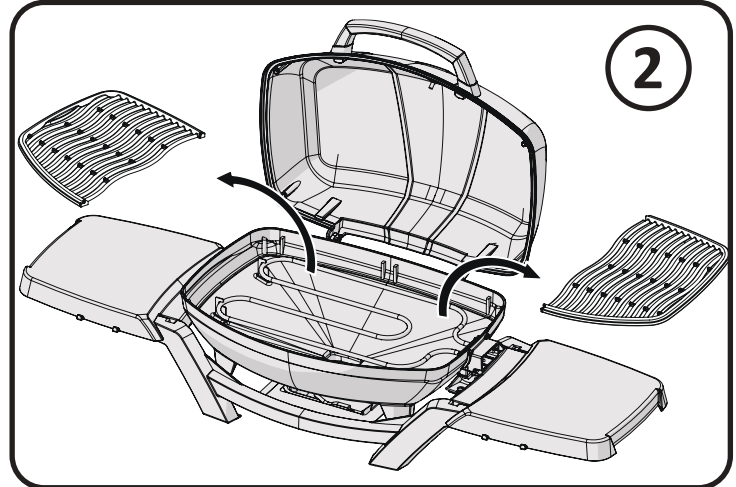
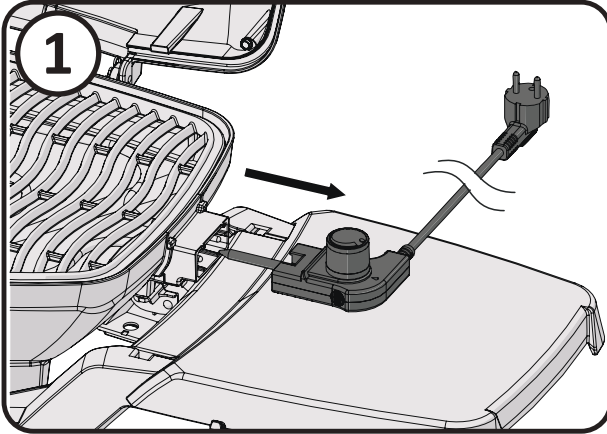
Fettwanne: Zur Reinigung aus dem Grill nehmen. Regelmäßig (nach 4-5 Mal grillen) leeren und reinigen. Fette und austretende Bratensäfte laufen gesammelt in die Auffangschale, die sich unter dem Grill befindet. Fettablagerungen bilden ein Brandrisiko. Fettwanne nicht mit Aluminiumfolie bedecken.

Grill Außenseite reinigen: Edelstahl nicht mit abrasiven Mitteln reinigen. Edelstahloberflächen mit einem Edelstahlreiniger oder nicht-abrasiven Reiniger reinigen. Nur die Maserung entlang reinigen. Keine Stahlwolle benutzen; diese beschädigt die Oberfläche und lässt Eisenpartikeln zurück, die zu Flugrost führen können. Edelstahl wird sich bei Aufheizung mit der Zeit verfärben, eine goldene oder braune Farbe annehmen. Diese Verfärbung ist normal und beeinträchtigt die Leistung des Grills nicht.

Reinigungsschritte

Demontage:

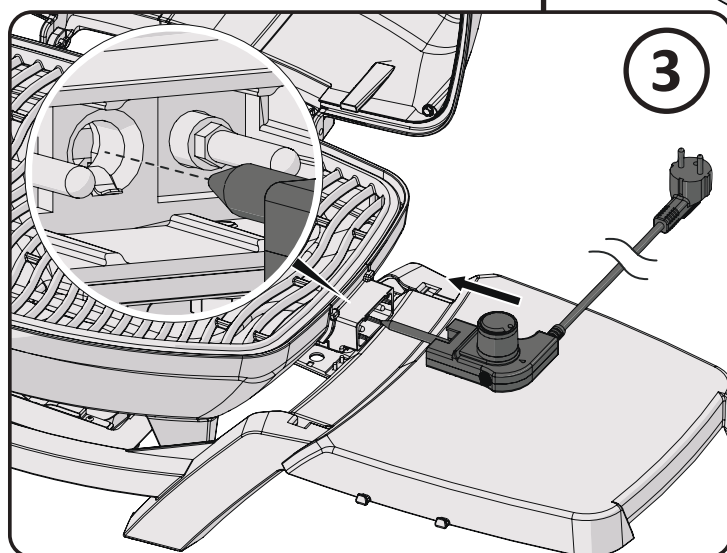
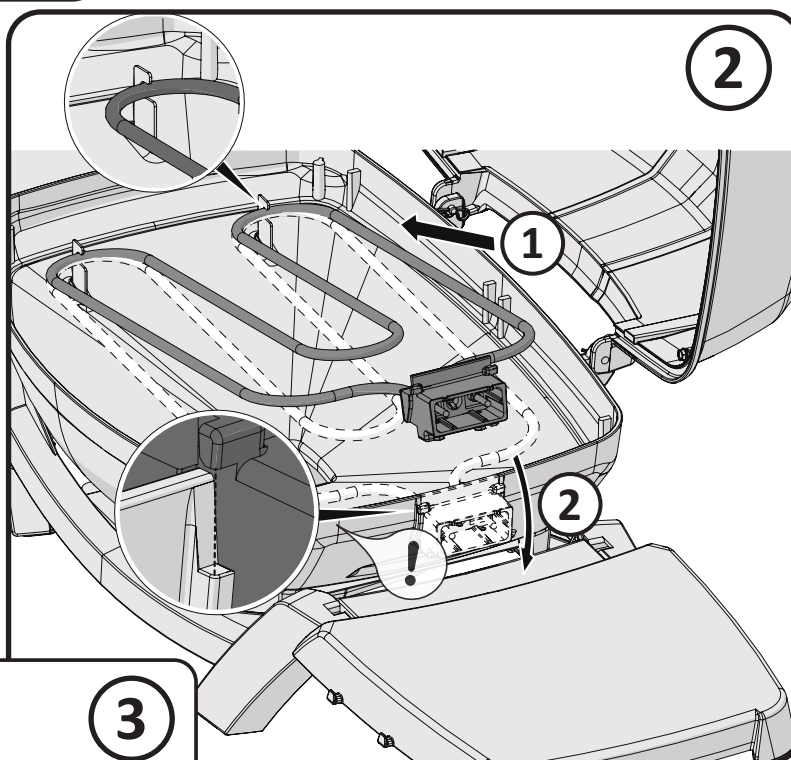
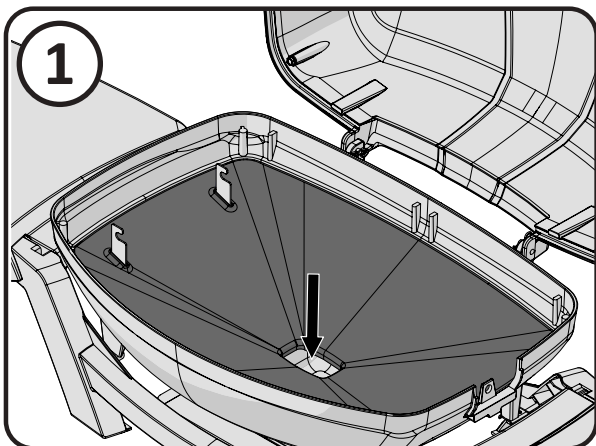
1. Stecker ziehen und Thermostat entfernen.
2. Grillroste entfernen.
3. Heizelement entfernen.
4. Basiseinlage entfernen.



DE

Zusammenbau:

1. Basiseinlage einlegen.
2. Heizelement in die Befestigungsclipse einrasten lassen.
3. Einlegen des Thermostats und der Grillroste.



**RECHNUNG/KASSENBON ALS KAUFBELEG FÜR GARANTIEANFRAGEN
AUFBEWAHREN**

ERSATZTEILBESTELLFORMULAR

GARANTIEINFORMATIONEN

MODELL: _____

KAUFDATUM: _____

SERIENNUMMER: _____

(Speichern Sie diese Informationen hier als künftige Referenz)

Für Ersatzteile und Garantieforderungen, kontaktieren Sie Ihren Napoleonhändler, bei dem das Produkt gekauft wurde.

Vor Sie Ihren Händler kontaktieren, lesen Sie bitte die Napoleon Grills Website, um mehr über Reinigung, Wartung, Troubleshooting und Ersatzteilmontage zu erfahren:

<https://www.napoleon.com/de/de/willkommen>

Um eine Reklamation einzureichen, sind folgende Unterlagen erforderlich:

1. Typenbezeichnung und Seriennummer des Geräts.
2. Artikelnummer und -Bezeichnung.
3. Bündige Problembeschreibung („defekt“ reicht nicht aus).
4. Kaufbeleg (Rechnungskopie, Kopie des Kassensbons).

Napoleon behält sich das Recht vor, als Voraussetzung für Ersatzteile, den Rückversand reklamierter Teile zu beantragen.

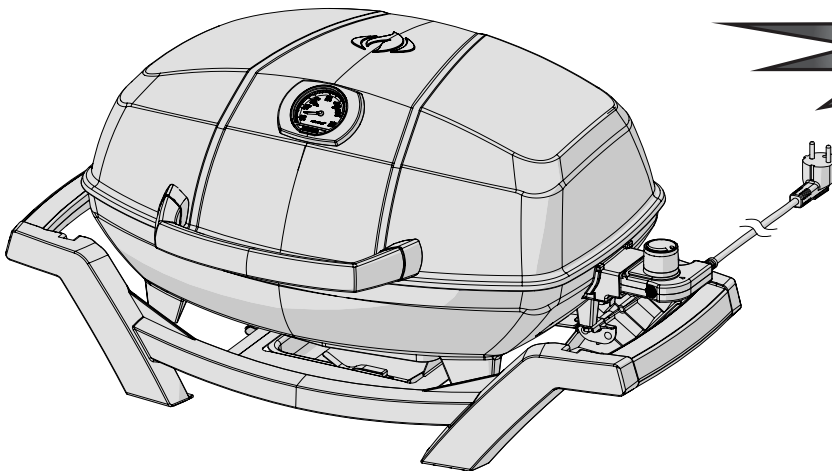
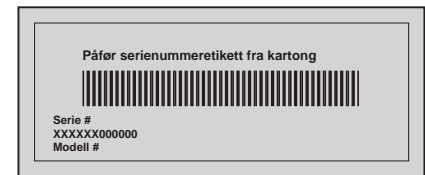
Bitte beachten Sie, vor Sie Ihren Händler kontaktieren, dass folgende Items keine Garantiegründe darstellen:

- Versand-, Zoll- oder sonstige Gebühren.
- Montagearbeit und -Kosten.
- Kommunikationskosten, um eine (Fern-)Diagnose zu stellen.
- Edelstahlverfärbungen.
- Schäden verursacht durch mangelnde Reinigung und Wartung, oder die Anwendung ungeeigneter Reinigungsmittel (Ofenreiniger oder abrasiver Chemikalien).

DE



DE



PRO285E



Dette apparatet er vurdert til
220-240 VAC – 50/60 Hz
2200 W

NO



ADVARSEL! Les og følg advarsler og instruksjoner før grillen tas i bruk. Feil bruk kan medføre brann eller skade på mennesker og/eller materiell.



ADVARSEL!

- Kun for utendørs bruk.
- Ved bruk av elektriske apparater er det viktig at standard sikkerhetsrutiner som de under benyttes for å forhindre brann, personskade eller materiell skade.
- Behold manualen for senere referanser.



N415-0478W JAN 20.21

Wolf Steel Europe BV
De Riemsdijk 22, 4004 LC, Tiel
The Netherlands
eu.info@napoleon.com

www.napoleon.com

Napoleon Presidents 10 års begrensede garanti



NAPOLEON produkter er utformet med førsteklasses komponenter og materialer, og er montert av erfarne fagfolk som legger stolthet i sitt arbeid. Produktet er grundig inspisert av kvalifisert personell før pakking og skiping slik at du – kunden – skal få det kvalitetsproduktet du forventer fra NAPOLEON.

NAPOLEON garanterer at komponentene i ditt nye NAPOLEON-produkt er uten feil i materialer og utførelse fra kjøpsdato og ut følgende periode:

Støpte deler i aluminium / sokkel i rustfritt stål.....	10 år
Porselensmaljerte fettskjerm.....	5 års full dekning, pluss 50 % avslag inntil det 10. året
Porselensmaljerte grillrister i støpejern	5 års full dekning, pluss 50 % avslag inntil det 10. året
Varmeelement og termostat	2 år
Alle andre deler	2 år

*Vilkår og begrensninger

Denne begrensede garantien har en garantiperiode som angitt i den ovennevnte tabellen for alle produkter som er kjøpt gjennom en autorisert NAPOLEON-forhandler, og gir den opprinnelige kjøperen rett til den angitte dekningen for alle komponenter som må skiftes ut i garantitiden, enten av NAPOLEON eller av en autorisert NAPOLEON-forhandler, til å skifte ut en komponent i et slikt produkt som har gått i stykker ved normal privat bruk som følge av en produksjonsfeil. "50 % avslag", som angitt i tabellen betyr at komponenten gjøres tilgjengelig for kjøperen med 50 % avslag på den vanlige butikkprisen for komponenten i den angitte perioden. Denne begrensede garantien dekker ikke tilbehør eller bonusdeler.

For å være mer presis betyr "normal privat bruk" av et produkt at produktet har blitt montert av en lisensiert, autorisert servicetekniker eller -leverandør i samsvar med monteringsanvisningene vedlagt produktet og alle lokale og nasjonale bygg- og brannforskrifter, at det har vært vedlikeholdt, og at det ikke har vært brukt på fellesarealer eller til kommersielle formål.

I tillegg omfatter uttrykket "gå i stykker" ikke bruk av for sterk varme, utblåsing på grunn av værforhold som sterk vind eller utilstrekkelig lufting, riper, bulker, rust, forringelse av lakkerte overflater og metallbelegg, misfarging på grunn av varme, slipende eller kjemiske rengjøringsmidler eller UV-eksponering, avskalling av porselensmaljerte deler eller skader forårsaket av feilbruk, ulykker, hagl, fettbrann, manglende vedlikehold, skadelige miljøer med for eksempel mye salt eller klor, ombygginger, misbruk, vanskjøtsel eller monterte deler fra andre produsenter.

(f.eks. som følge av gjennomrusting eller fordi det er brent hull i dem) i garantiperioden, blir delene erstattet. Erstatningsdelen er eneansvaret til NAPOLEON i henhold til denne begrensede garantien. NAPOLEON er under ingen omstendighet ansvarlig for montering, arbeid eller andre kostnader eller utgifter i tilknytning til montering av en del med garanti, for eventuelle tilfeldige skader, følgeskader eller indirekte skader eller for eventuelle transportutgifter, arbeidskostnader eller eksportavgifter.

Denne begrensede garantien kommer i tillegg til eventuelle rettigheter du har i henhold til landets lover. Følgelig betyr det at denne begrensede garantien ikke forplikter NAPOLEON til å holde et lager med reservedeler. På grunnlag av de delene som finnes tilgjengelig, kan NAPOLEON etter eget skjønn fritas for alle forpliktelser ved å tilby kunden et pro rata-basert avslag på et nytt produkt. Etter det første året i tilknytning til denne begrensede garantien kan NAPOLEON etter eget skjønn innfri alle forpliktelser som gjelder denne garantien, ved å tilbakebetale den opprinnelige kjøperen grossistprisen på alle garanterte, men defekte deler.

Kjøpekontrakt eller kopi vil bli krevet sammen med et serienummer og et modellnummer ved fremsetting av garantikrav mot NAPOLEON. NAPOLEON forbeholder seg retten til å la sin representant kontrollere alle produkter eller deler før eventuelle garantikrav innfris. Du må kontakte NAPOLEONs kundeservice eller en autorisert NAPOLEON-forhandler for å få innfridd garantien.



www.napoleon.com



ADVARSEL! Hvis instruksjonene ikke følges kan det føre til alvorlig personskade, død eller skade på eiendom. Les og følg alle advarsler og sikkerhetsregler i Brukerhåndboken før gassgrillen tas i bruk.

Sikker Bruk

- Bruk bare grillen som beskrevet i denne manualen.
- Ved å bruke grillen utover det anbefalte risikeres brann, elektrisk støt eller personskade. Denne grillen er kun ment til utendørs bruk, og må ikke brukes innendørs eller til kommersiell grilling.
- Det må ikke gjøres endringer på grillen.
- Ikke bruk kull eller brennbare væsker i grillen. Grillen er ikke konstruert for kullbruk og brann vil kunne oppstå. En slik brann vil kunne medføre skade på produktet og miljøet rundt.
- Denne grillen må ikke brukes i noen form for innbygging. Feilbruk vil kunne medføre brann eller eksplosjon med tilhørende alvorlige følger på mennesker og materiell.

Elektrisk Veiledning:

- Dette produktet er laget i henhold til tekniske og sikkerhetsmessige standarder.
- Sørg alltid for at stikkontakter som brukes har riktig volt størrelse i forhold til apparatets input og at de er beregnet for et forbruk på 2200 Watt.
- Sørg for at det ikke er andre apparater med høyt strømbehov på samme kurs ved bruk av grillen.
- Grillen skal være tilkoblet en jordet stikkontakt.
- Strømforsyningen skal gå gjennom en reststrømsenhet (RCD) som ikke overgår 30mA.
- Ikke bruk enheten hvis plugguttaket er skadet. Ledningen må sjekkes regelmessig. Ved tegn på skade skal ikke grillen brukes.
- Ikke bruk grillen hvis den har skade på temperaturinnstillers kabel eller plugg. Er den skadet må den erstattes av Napoleons forhandler eller med veiledning av disse.
- Ved bruk av skjøteledning må det forsikres at den er laget for utendørs bruk og at den er riktig dimensjonert.
- Bruk aldri to eller flere skjøteledninger sammen.

Sikkerhetsinstruksjon:

- Sett alltid termostaten i grillen før du kobler strømledningen til stikkontakten. Når du skal ha ut termostaten av grillen, må du først koble den fra stikkontakten.
- Trekker du termostaten av ved å dreie på knappen, kan det føre til at den løsner. Fjern termostaten ved å gripe på sidene.
- Hvis det oppstår en oppblussing, ikke bruk vann for å slukke flammene. Slå grillen til AV. Trekk ut strømledningen og vent til grillen er avkjølt.
- Hold pluggen og ledningen tørr når den er i bruk. Ikke bruk den elektriske grillen i regnvær.
- Grillen må plasseres på et jevnt, stabilt underlag.
- Ikke la ledningen ligge inntil grillen når den er varm.
- Dryppannen må alltid være på plass under grilling.
- Flytt ikke grillen mens den er i bruk.
- Ikke la grillen være uten tilsyn når den er i bruk.
- Hold små barn, eldre og kjæledyr borte mens grillen er i bruk. Barn må ikke leke med apparatet.
- Dette apparatet kan brukes av barn fra 8 år og oppover og personer med nedsatte fysiske, sensoriske eller mentale evner eller manglende erfaring og kunnskap hvis de har fått tilsyn eller instruksjon om bruk av apparatet på en sikker måte og forstår farer involvert.
- Barn skal overvåkes hvis de rengjør og vedlikeholder grillen.
- Bruk ikke grillen i nærheten av brennbare materialer som tre, tørt gress, busker osv.
- Ikke la grillen komme i kontakt med brennbare materialer som papir, vegger, gardiner, håndklær, kjemikalier, etc.
- Ikke bruk grillen i områder med mye trafikk. Fjern strømledningen vekk fra trafikkområdene.
- For å beskytte grillen, ikke bruk grillen innen 3 m fra bassenget, dam eller annen vannmasse.
- Bruk ikke som varmeovn.
- La apparatet avkjøles før du flytter eller oppbevarer det.

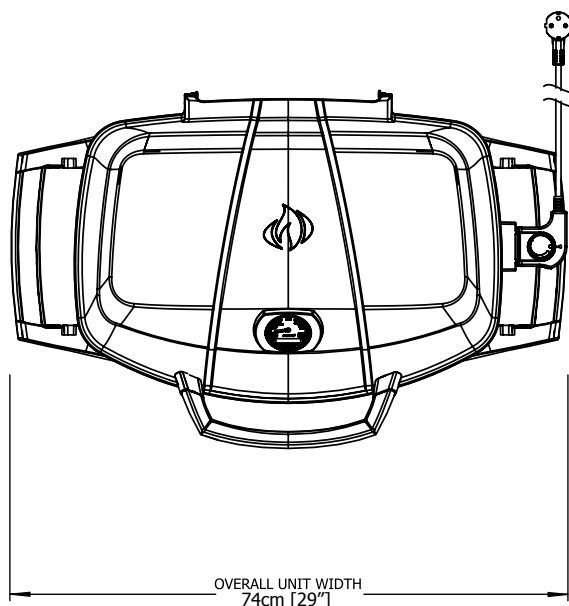
Rengjøring:

- Rengjør dryppannen regelmessig.
- Ikke senk elektriske komponenter i vann når du rengjør.
- For å beskytte mot elektrisk støt må du ikke dyppe pluggen, ledningen eller termostaten i vann eller væske.

Oppbevaring:

- Trekk ut støpselet når grillen ikke er i bruk, og hold støpselet og ledningen tørr.
- Ikke la termostaten stå i ON-stilling når ikke grillen er i bruk.
- Lagre alltid strømforsyningen på ett fuktfritt område når den ikke er i bruk.
- Trekk løs termostaten fra grillen under lange perioder uten bruk.

DIMENSJONER

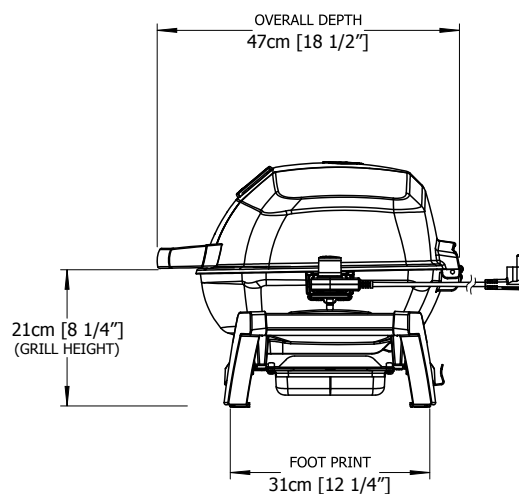
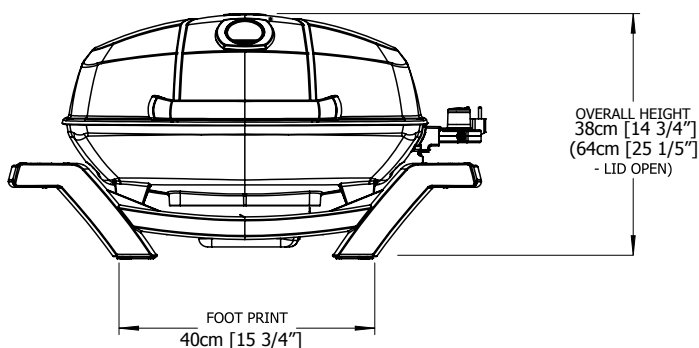


PRO285E - GRILL

GRILL SIZE: 37cm X 54cm (IRREGULAR) = 1840 cm² (14 1/2" X 21 1/4" (IRREGULAR) = 285 in²)

ALL DIMENSIONS ARE APPROXIMATE

NO



FORSIKTIG! Ved utpakking og montering anbefaler vi at det benyttes arbeidshansker og vernebriller som beskyttelse. Selv om vi bestreber oss for å gjøre monteringen så problemfri og sikker som mulig, er delene av stål og kan ha skarpe kanter og hjørner som kan forårsake kutt hvis de ikke håndteres korrekt.

Korrekt avfalls håndtering av dette produktet

Denne merkingen angir at dette produktet ikke skal kastes sammen med annet husholdningsavfall i hele EU. For å hindre mulig skade på miljøet eller menneskelig helse fra ukontrollert avfallshåndtering, resirkuler det ansvarlig for å fremme bærekraftig gjenbruk av materielle ressurser. For å returnere en brukt enhet, kan du bruke retur og innsamlingsystemer eller ta kontakt med forhandleren der produktet ble kjøpt. De kan ta imot dette produktet for miljø trygg resirkulering.

Grill instruksjoner



ADVARSEL! Ikke bruk grillen under markiser. Hvis ikke disse instruksene følges kan det oppstå brann eller personskade.



FARE! Ikke sett grillen til lagring eller transport direkte etter bruk, vent til grillen har blitt kald. Hvis ikke kan det medføre skade på bygninger, personskader eller død.

Første tenning: Når grillen tennes for første gang avgir den en lett fremmed duft. Dette er en helt normal tilstand som kommer av innbrenning av indre farger og smøremidler som har blitt brukt under produksjon og kommer ikke til å oppstå igjen. Bare kjør hovedbrennerne på høy omtrent en halvtime.

Grillingskjema

Forvarm på HIGH i 15-20 minutter med lokket igjen, deretter reguler til ønsket varmenivå. Dette er retningslinjer for grilling ved temperature på 22 grader. For å tilføre et varemerke på grillingen din, anbefaler vi Napoleons røykerør med en valgfri smakstilsetning.

Mat	Kontrollinnstilling	Matlagingstid	Anbefaling
Biff 2.54cm (1 in.) tykk	høy innstilling, 2 min. hver side høy innstilling, 2 min. hver side deretter middels innstilling høy innstilling, 2 min. hver side then Medium setting	4 min. – Sjelden 6 min. – Medium 8 min. – Bra Gjort	Ved valg av kjøtt til grillingen vil vi anbefale et stykke med fettmarmoreringer. Fettet fungerer som mørner under grillingen og hjelper til å holde kjøttet mørt og saftig.
Hamburger 1.27cm (1/2 in.) tykk	høy innstilling , 2 min. hver side høy innstilling , 2 1/2 min. hver side høy innstilling , 3 min. hver side	4 min. – Sjelden 5 min. – Medium 6 min. – Bra Gjort	Ved å lager hamburgerene litt tynnere blir det lettere å steke dem hurtig.
Kyllingbiter	høy innstilling , 2 min. hver side deretter medium til lav innstilling	20-25 min.	Leddene som holder lår og klubbe sammen bør kuttes 3/4 gjennom for at kjøttet blir liggende flatere på grillen. Dette gjør grillingen raskere og jevnere.
Svinekoteletter	Medium	6 min. hver side	Beskjær overflødig fett før du griller. Velg tykkere koteletter for mer anbud.
Reserve Ribbeina	høy innstilling til 5 minutter Lav til slutt	20 min. hver side Snu ofte	Velg ribber som er kjøttfulle. Grill til kjøttet enkelt dras av benene.
Lammekoteletter	høy innstilling til 5 minutter Middels til ferdig	15 min. hver side	Beskjær overflødig fett før du griller. Velg ekstra tykke koteletter for mer mørt resultat.
Pølser	Middels til lav	4-6 min.	Velg ekstra tykke koteletter for mørere resultat. Velg store pølser. Lag små kutt i pølsene før grilling.

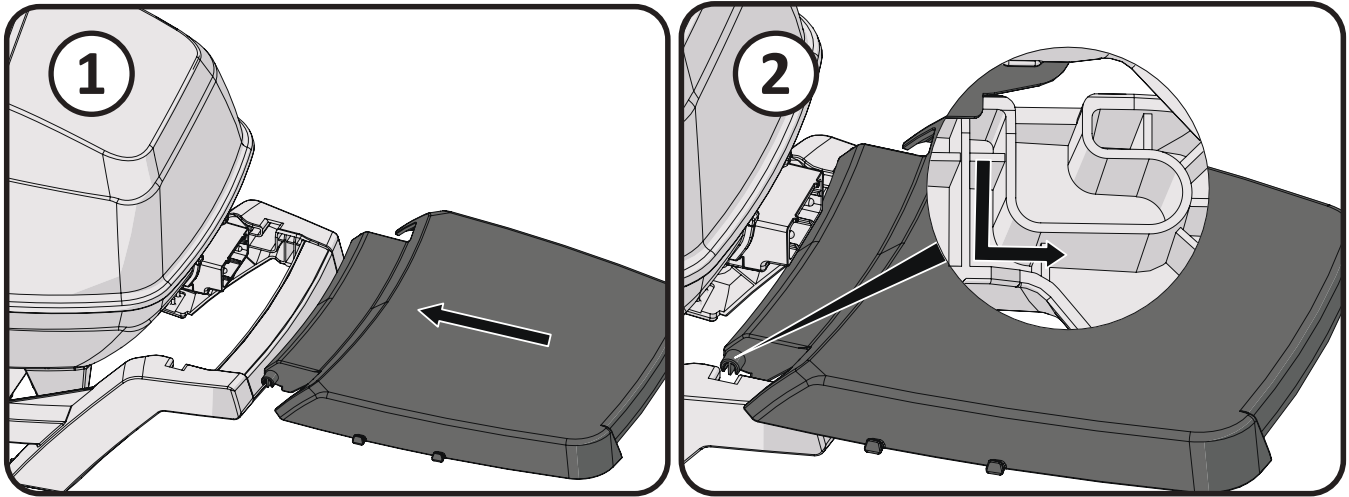
NO

Feilsøking

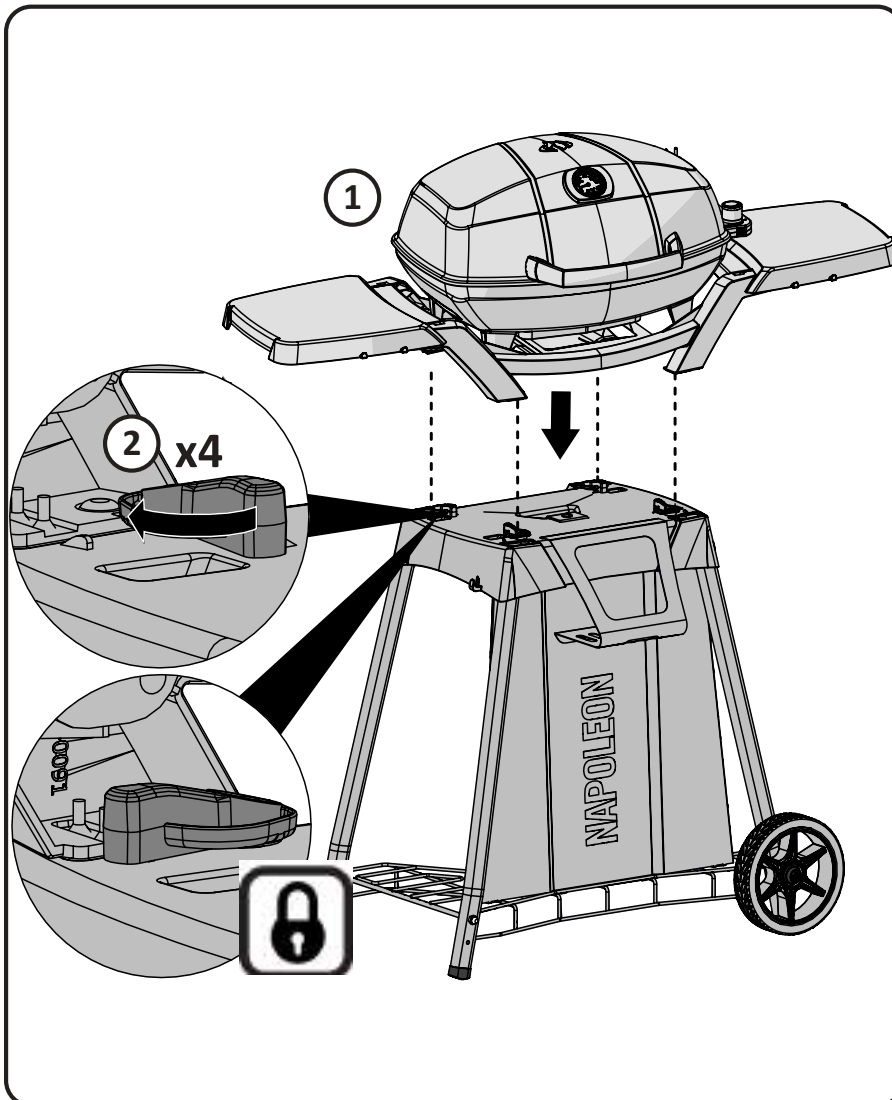
Problem	Mulige feil	Løsninger
Ingen Varme	<p>Termostat avskrudd. Ingen strøm.</p> <p>Feil ved termostat eller grillelement.</p>	<p>Skru termostaten på maks. Sjekk at termostaten er ordentlig plagget til grillen og koblet til kontakten.</p> <p>Prøv en annen kontakt. Sjekk sikringsskap og slå på sikring igjen hvis avslått. Sett termostaten på fullt. Forvarm grillen med lukket lokk i 15-20 minutter. Bytt ut termostat eller grillelement.</p>
Lav Varme	<p>Mulige feilMangelfull forvarming</p> <p>For mye stekefett/matrester i bunnen av grillen.</p>	<p>Forvarm grillen med lukket lokk i 15-20 minutter.</p> <p>Rengjør for mye rusk i basen.</p>
For store oppblussinger / ujevn varme	<p>For mye fett på kjøttet.</p> <p>For høy steketemperatur</p> <p>For mye stekefett.</p>	<p>Trim fett fra kjøtt før du griller.</p> <p>Juster temperaturen etter behov.</p> <p>Rengjør grillen</p>
Sikring av effektbryter eller sikring	<p>Overtenning</p> <p>Andre apparater på samme krets.</p> <p>Fukt eller vann i termostaten eller elektriske koblinger.</p>	<p>Drei kontrollere til AV-stilling før du kobler den til stikkkontakten.</p> <p>Ikke bruk andre elektriske apparater på samme krets.</p> <p>Hold termostat og elektriske komponenter tørre.</p>

NO

Valgfri Hylle



Valgfritt Stativ



NO

Rengjørings instruksjoner



ADVARSEL! Bruk alltid vernehansker og vernebriller når du rengjør grillen.

ADVARSEL! For å unngå brannskader, bør vedlikehold gjøres når grillen er kald. Unngå ubeskyttet kontakt med varme overflater. Sørg for at alle brennere er slått av. Rengjør grillen i et område hvor rengjøringsmidler ikke vil skade terrassegulv, gressplendekk, eller annen uteplass.. Ikke bruk ovnsrens/stekeovnsrens til å rengjøre delene av gassgrill. Ikke bruk en selvrensende ovn til å rengjøre grillrist eller andre deler på gassgrillen. Barbecue saus og salt kan være etsende og vil føre til raskere forringelse av gassgrill komponentene med mindre de rengjøres regelmessig.

Merk: Rustfritt stål har en tendens til å oksidere eller få flekker i nærvær av klorider og sulfider. Særlig under røffe klimaforhold og andre tøffe miljøer. Som for eksempel i varm og svært fuktig atmosfære rundt bassenger og badestamper. Disse flekkene kan oppfattes som rust, men kan fjernes eller forhindres. Vask alle overflater i rustfritt stål hver 3-4 uker, eller så ofte som nødvendig med ferskvann og / eller ståltreng.

Grillrist i støpejern: Grillrister i støpejern gir et uovertruffent varmeopptak og varmefordeling. Ved jevnlig vedlikehold av grillristene gir du risten et beskyttende lag som hjelper mot rust og gjør "slipp lett" effekten bedre.

Første gangs bruk: Vask ristene for hånd med mildt såpevann for å fjerne eventuelle rester fra produksjon. Vask aldri støpejernrister i oppvaskmaskin. Rens grundig med varmt vann og tørk helt med en myk klut. Tørkingen er viktig for å hindre fukt i å angripe støpejernet.

Sesongmessig: Bruk en myk klut og gni vegetabilsk olje over hele risten. Sørg for at alle deler blir dekt. Ikke bruk saltholdig materiale som smør eller margarin. Forvarm grillen i 15 minutter, sett så ristene i grillen. Sett styrken til medium med lukket lokk. La ristene stå i grillen i ca. en halv time. Skru av alle brennerne og stopp gasstilførselen. La ristene avkjøle i grillen. Denne prosedyren bør gjentas flere ganger i løpet av sesongen, men er nødvendig hver gang.

Daglig: Før forvarming og børstning med messingbørste, påfør vegetabilsk olje på hele overflaten. Forvarm så grillen og børst bort uønskede rester med messingbørste.

Rengjøring på innsiden av gassgrillen: Ta bort grillristen. Bruk en stålbørste til å løsne bøss fra støpesidene og under lokket. Børst all bøss fra innsiden av grillen ned i den flyttbare drypppannen.

Dryppanne: Oppsamlet fett er en brannfare. Rengjør drypppannen regelmessig for å unngå at det bygger seg opp med fett. Overflødig fett rinner ned i drypppannen som ligger under gassgrillen og samles der. For å rengjøre drypppannen trekkes den ut fra gassgrillen. Fyll aldri drypppannen med aluminiumsfolie, sand eller annet materiale da dette kan hindre fett fra å renne ned i pannen. Pannen kan skrapes med en sparkel eller skrape.

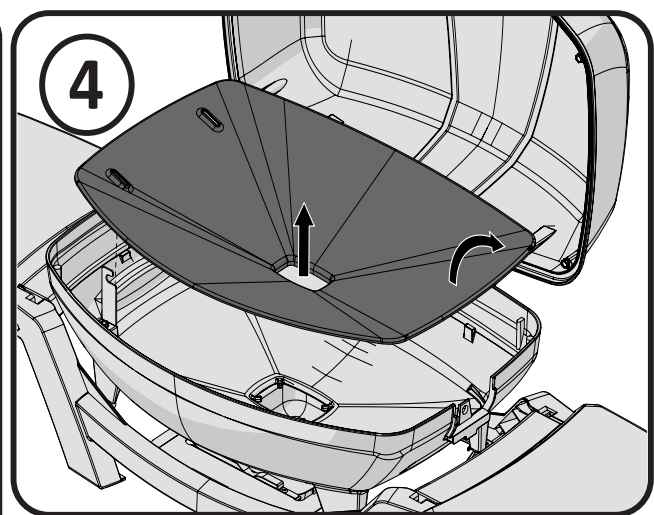
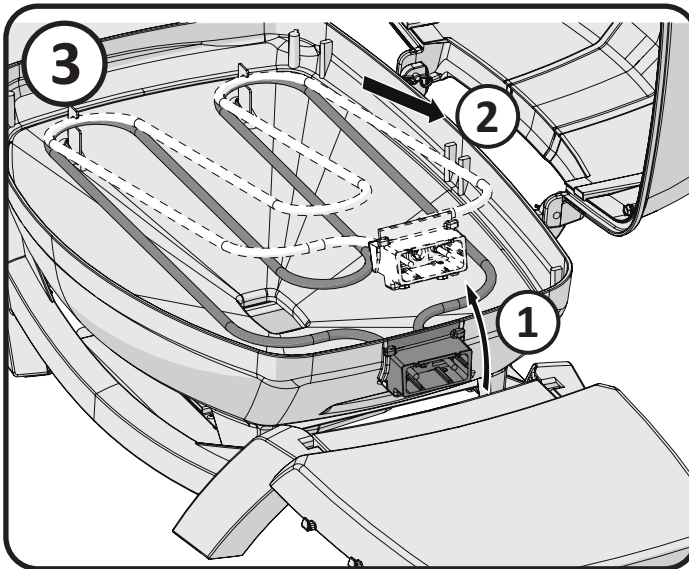
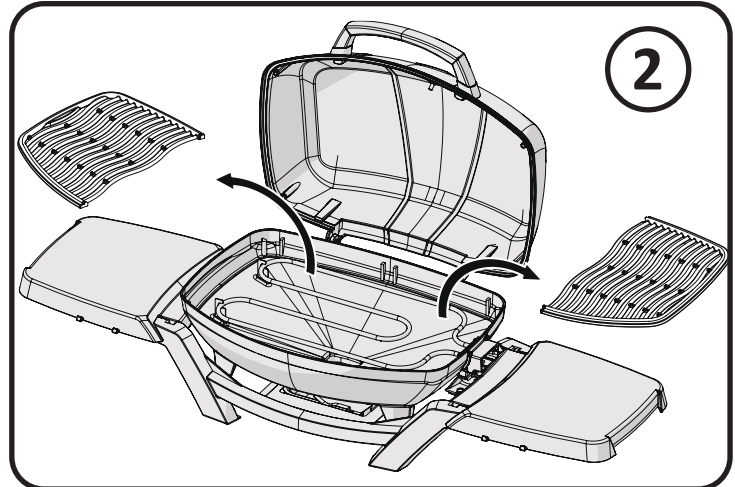
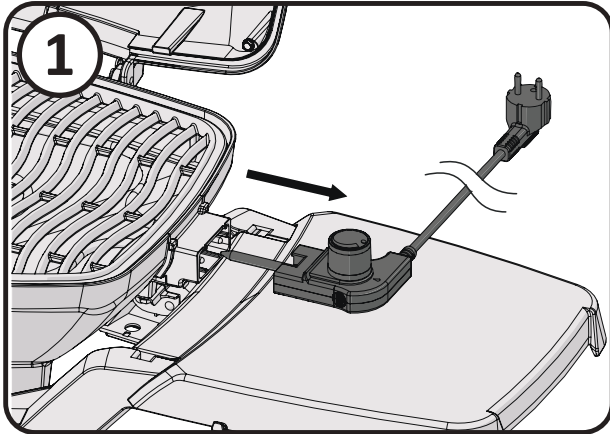
Rengjøring av Ytre Grill Overflaten: Ikke bruk slipende rengjøringsmidler eller stålull på malt emalje eller rustfrie stål deler av Napoleon Grill. Dette vil kunne ripe finishen. Utvendige grill overflater bør rengjøres med varmt såpevann mens metallet fortsatt er litt varmt å ta på. Fett og nye organiske flekker fjernes bakteriologisk ved ca. +67 grd.Celsius. For å rengjøre rustfrie flater: Bruk en rustfri Ståltreng eller et ikke-slipende rengjøringsmiddel som egner seg for rustfritt stål. Tørk alltid i stålets "fiber" retning. Over tid blir rustfrie ståldeler misfarget ved oppvarming. Vanligvis til en gylden eller brun fargetone. Denne misfargingen er normal og påvirker ikke ytelsen til grillen.

Porselen emaljerte komponenter må håndteres med ekstra omsorg. De emaljerte flatene er ofte påstøpt et annet egnet underlag, glassaktige og kan få skader og krakeleringer(sprekkdannelse) eller skader allerede ved lette slag. Du kan få kjøpt emaljeforsterker fra din Napoleon Grill forh

Rengjøringsstrinn

Demontering:

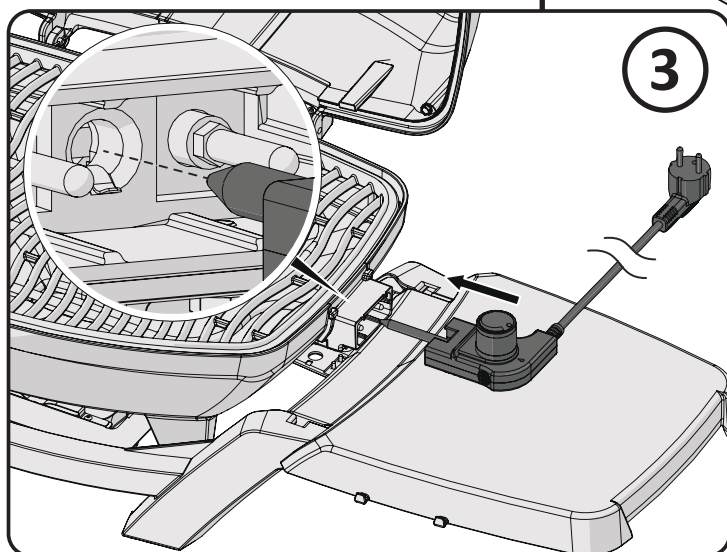
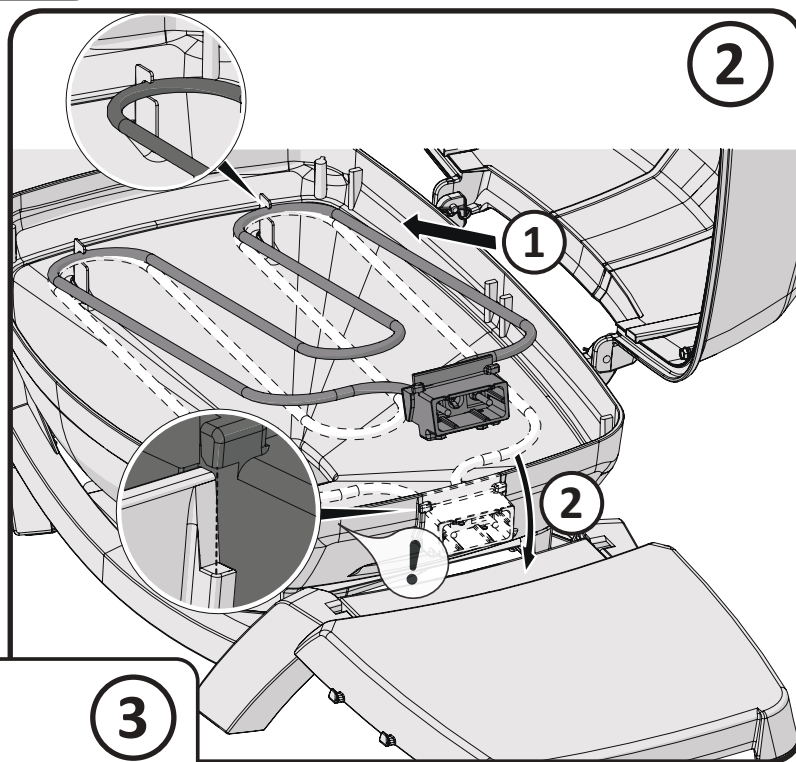
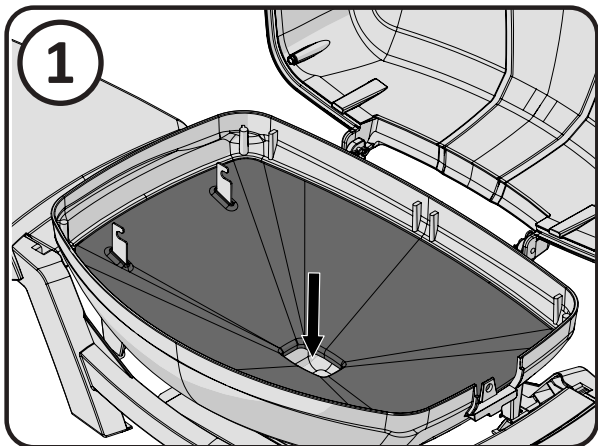
1. Koble ledningen fra veggen og fjern termostaten.
2. Fjern kokeplater.
3. Løft varmeelementet ut av grillen.
4. Fjern basisforingen.



NO

Remontering:

1. Sett inn basisforingen igjen.
2. Plasser de buede endene av varmeelementet tilbake i støtteklemmene.
3. Senk varmeelementet på plass.
4. Sett inn termostaten og kokeplaten på nytt.



NO

OPPBEVAR KVITTERING SOM BEVIS FOR GYLDIG GARANTIPERIODE**Bestilling av reservedeler:****Garantiinformasjon**

MODELL: _____

DATO FOR KJØP: _____

SERIENUMMER: _____

(Registrer informasjon her for enkel referanse)

Ta direkte kontakt med din lokale forhandler eller der du har kjøpt grillen for reservedeler og garantikrav. Før du kontakter forhandler sjekk Napoleons nettside, www.napoleon.com, for mer omfattende instruksjon om rengjøring, vedlikehold, feilsøking og utskifting av deler.

For å behandle reklamasjonskrav trenger vi følgende informasjon:

1. Modell og serienummer på enheten.
2. Del nummer og beskrivelse.
3. En kortfattet beskrivelse av problemet («ødelagt» er ikke tilstrekkelig).
4. Kjøpsbevis (kopi av faktura/kvittering).

I noen tilfeller kan vår forhandler be om at delene returneres til fabrikk for kontroll innen du får en ny reservedel.

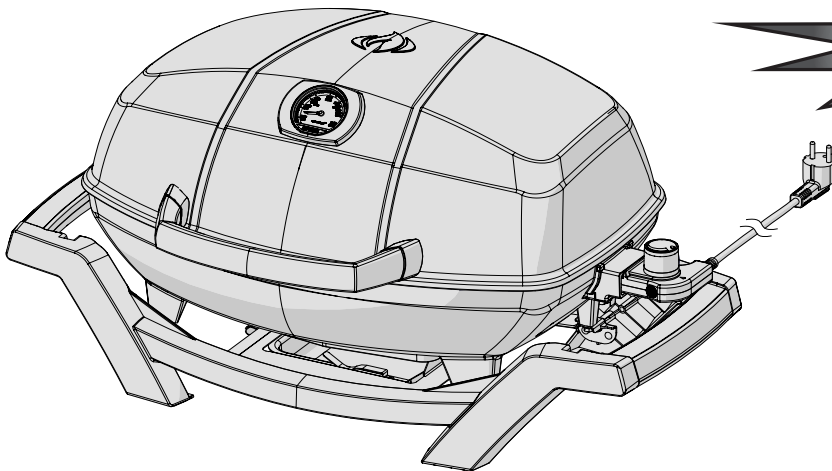
Før du kontakter forhandler, vær oppmerksom på at følgende ikke dekkes av garantien:

- Kostnad for transport, avgifter og eksportavgifter.
- Arbeidskostnader for ombygging og utskifting av deler.
- Utgifter ved kontakt til forhandler ved reklamasjon.
- Misfarging av deler i rustfritt stål.
- Feil som har oppstått på grunn av manglende vedlikehold og renhold eller ved bruk av feil rengjøringsmidler (ovn rens).

NO



NO



MÅ IKKE DROPPES

PRO285E



ADVARSEL! RISIKO FOR STØD

Dette apparat er klassificeret til
220 V/240 V
2400 W

DK



ADVARSEL! Hvis du ikke følger instruktionerne i denne manual kan det resultere i brand, eksplosion eller brandfare, hvilket igen kan føre til skade på ejendom, personlig skade eller død. Læs og følg alle advarsler og instruktioner i manualen før du anvender grillen.



ADVARSEL!

- Kun til udendørs brug.
- Ved brug af elektriske apparater skal de grundlæggende sikkerhedsforanstaltninger, herunder denne brugermanual, altid følges for at reducere risikoen for skader, elektrisk stød, personskade eller materielle skader.
- Gem denne brugermanual til senere brug.



N415-0478W JAN 20.21

Wolf Steel Europe BV
De Riemsdijk 22, 4004 LC, Tiel
The Netherlands
eu.info@napoleon.com

www.napoleon.com

Napoleons 10 Års Begrænset Garanti

NAPOLEON-produkterne er designet med komponenter og materialer i overlegen kvalitet, og er samlet af uddannede håndværkere, der er stolte af deres arbejde. Produkterne er blevet grundigt inspiceret af en kvalificeret tekniker inden emballering og forsendelse for at sikre, at kunden modtager det kvalitetsprodukt, der forventes af NAPOLEON.



NAPOLEON garanterer, at komponenter i dit nye NAPOLEON produkt vil være fri for defekter i materiale og udførelse fra købsdatoen og i følgende periode:

Støbt aluminium / rustfri stål sokkel.....	10 års
Porcelænemaljefestskjold.....	5 års fuld dækning + 10 år med 50% rabat
Porcelæn emalje grillriste i støbejern	5 års fuld dækning + 10 år med 50% rabat
Opvarmning element og termostat	2 års
Alle andre dele	2 års

*Betingelser og begrænsninger

Denne garanti sikre en garantiperiode som angivet i ovenstående tabel for ethvert produkt, der købes via en autoriseret NAPOLEON-forhandler. Derudover giver garantien den oprindelige køber den angivne dækning for eventuelle komponenter, der er udskiftet inden garantiperioden udløber. Kontakt NAPOLEON Danmark eller en autoriseret NAPOLEON-forhandler, for at erstatte komponenter eller grill, der har fejl eller er blevet beskadiget under normal privat brug, som følge af en fabrikationsfejl. Livstid med 50% rabat, som angivet i tabellen ovenover, betyder at komponenterne stilles til rådighed for køberen hvor der trækkes 50% af prisen fra den faste pris for komponenterne i den angivne periode. Denne garanti dækker ikke tilbehør eller bonusartikler.

Betydningen af "normal privat brug" af et produkt: Produktet er installeret i overensstemmelse med installationsmanualen til produktet. Alle lokale samt nationale bygge- og brandkoder er blevet overholdt og har ikke været anvendt som en fælles facilitet eller i en kommerciel sammenhæng.

Fejl eller beskadigelser omfatter ikke: overophedning, udblæsninger forårsaget af miljømæssige forhold som kraftig vind eller utilstrækkelig ventilation, ridser og buler, forringelse af malede og forgyldte overflader, misfarvning forårsaget af varme, slibemidler eller kemiske rengøringsmidler eller UV-eksponering, afskalning af porcelæns emaljerede dele eller skader forårsaget af misbrug, ulykke, hagl, smørbrande, manglende vedligeholdelse, fjendtlige miljøer som salt eller klor, forsømmelse eller dele installeret fra andre producenter. Skulle forringelse af dele forekomme i graden af manglende ydeevne (rustet igennem eller brændt igennem) inden for garantiperioden, vil der blive udleveret en udskiftningskomponent.

Ifølge dette garantibevis er NAPOLEON Danmarks eneste ansvar udskiftningskomponenten; under ingen omstændigheder vil NAPOLEON være ansvarlig for installation, arbejdskraft eller andre omkostninger og udgifter i forbindelse med geninstalleringen af en berettiget komponent. NAPOLEON står heller ikke til ansvar for påløbende, deraf følgende, eller indirekte skader eller for nogen transportomkostninger, omkostninger til arbejdskraft eller eksport afgifter.

Dette garantibevis er givet til dig som et supplement til de rettigheder, der er givet til dig af den danske lovgivning. Således pålægger dette garantibevis ikke nogen forpligtelser til, at NAPOLEON Danmark skal have delene på lager. Baseret på om delene er tilgængelige, har NAPOLEON Danmark rettigheden til at afvikle alle forpligtelser ved at fremskaffe kunden en forholdsmæssigt beregnet kredit mod købet af et nyt produkt. I overensstemmelse med garantibeviset må NAPOLEON Danmark efter det første år vælge at afvikle alle forpligtelser ved at tilbagebetale kunden engrosprisen på enhver berettiget men defekt vare.

Kunden skal kunne fremvise salgskvitteringen for købet eller en kopi heraf, sammen med et serienummer og et modelnummer, hvis garantibeviset fra NAPOLEON Danmark anvendes.

NAPOLEON Danmark forbeholder sig ret til at få en repræsentant til at inspicere produktet eller delen, før NAPOLEON Danmark hæfter for et garantibevis. Du skal kontakte NAPOLEON Danmarks kundeservice eller en autoriseret NAPOLEON Danmark forhandler før garantibeviset dækker.



www.napoleon.com



ADVARSEL! Læs alle instruktioner før du anvender grillen.

Sikker anvendelse

- Anvend kun denne grill som beskrevet i denne manual. Anvender du grillen på anden måde end beskrevet kan det resultere i brand, elektrisk stød eller anden personskade.
- Grillen er udelukkende beregnet til udendørs anvendelse. Anvend ikke grillen indendørs eller til kommerciel madlavning.
Lav under igen omstændigheder ændringer på grillen eller på brugen af den.
- Anvend ikke kul, briketter eller anden brandbart materiale i denne grill. Grillen er ikke designet til brug af kul eller anden brændsel og ved brug af dette, kan der opstå brand. Brand kan skabe en usikker tilstand og skade på grillen.
- Indbyg ikke denne grillmodel i nogen form for indbygningskonstruktion. Hvis du ignorerer denne advarsel, kan det resultere i brand eller eksplosion, som kan skade ejendom, personer eller føre til død.

Elektriske sikkerhedsforanstaltninger:

- Grillen er lavet i overensstemmelse med tekniske standarder og sikkerhedskrav til elektriske apparater. Sørg altid for at den stikkontakt, der anvendes, har den korrekte spænding i henhold til grillens indgangseffekt. Stikkontakten skal være egnet til elektriske apparater med et strømforbrug for 2200 watt og 10 Ampere.
- Sørg for at der ikke er andre elektriske apparater, som er tilsluttet det samme kredsløb, når du anvender grillen. Grillen skal tilsluttes en stikkontakt med jordforbindelse.
Anvend ikke grillen hvis stikkontakten er beskadiget.
- Ledningen skal undersøges regelmæssigt for tegn på beskadigelse og grillen må ikke anvendes hvis ledningen er beskadiget.
- Brug ikke grillen hvis termostaten eller ledningen er beskadiget. Hvis ledningen er beskadiget skal den udskiftes med en ny, som kan skaffes hos Napoleon Grill, den danske distributør Backyard Living A/S eller en autoriseret Napoleon forhandler.
- Hvis du anvender en forlængerledning skal den være beregnet til udendørs brug og lavet til den indgangseffekt, som grillen kræver.
Forbind ikke to eller flere forlængerledninger.

Sikker anvendelse:

- Sæt altid termostaten i grillen inden du kobler strøm til grillen. Hvis du tjerner termostaten, så sørg for at strømmen er koblet fra stikkontakten.
Når du fjerner termostaten, så træk i siderne af enheden. Trækker du i selve termostaten, kan du skade enheden.
Når du fjerner termostaten, så træk i siderne
- Hvis der opstår opflamning må du ikke bruge vand til at slukke. Drej i stedet grillen til OFF. Tag stikket ud af stikkontakten og vent på at grillen køler af.
- Hold stikket og ledningen tør, når grillen er i brug. Anvend ikke den elektriske grill i regn.
- Anvend kun grillen på en plan, stabil overflade.
- Lad ikke ledningen røre ved grillen når denne er varm.
Fetdbakken skal altid være på plads under grillen.
- Flyt ikke grillen når den er i brug.
- Lad ikke grillen være uden opsyn, når den er i brug.
- Hold børn, ældre og kæledyr væk mens grillen er i brug. Børn må ikke lege med grillen.
- Grillen kan anvendes af børn i alderen 8 år og derover, personer med nedsat fysik, sansemotorisk eller mentalt handicap eller manglende erfaring eller viden, såfremt de har fået vejledning eller instruktion om brugen af grillen på en sikker måde og forstår farerne derved.
- Hold børn under opsyn mens du rengør eller vedligeholder grillen.
- Anvend ikke grillen i nærheden af brændbare materialer som træ, tørt græs, buske mv.
- Lad ikke grillen komme i kontakt med brændbare materialer som papir, vægge, håndklæder, kemikalier osv.
- Anvend ikke grillen i store trafikerede områder. Find en stikkontakt væk fra trafikerede områder.
- For at beskytte grillen må du ikke anvende grillen under for 3 meter fra en pool, dam, hav eller andet vand.
- Grillen må ikke anvendes som varmelegeme.
- Lad grillen afkøle for den flyttes eller sættes til opbevaring.

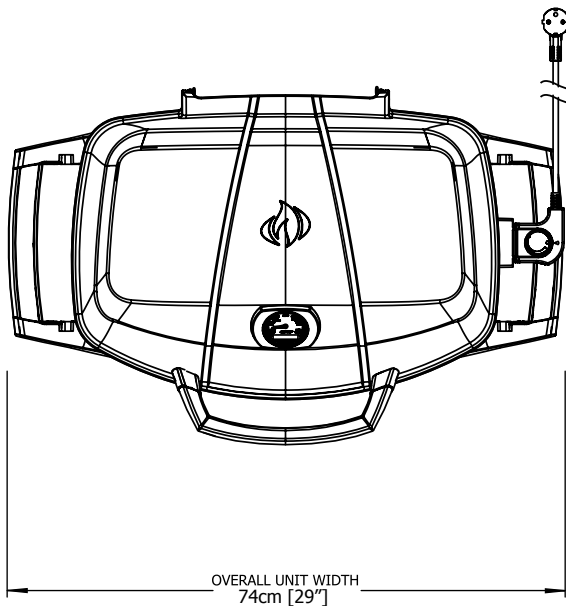
Rengøring:

- Rengør bundbakken regelmæssigt for at undgå fedtbrand.
- Dyp ikke elektriske komponenter i vand ved rengøring.
- For at beskytte mod elektriske stød må du ikke sænke stikket, ledningen eller termostaten i vand eller væske.

Opbevaring:

- Tag altid stikket ud af stikkontakten, når grillen ikke er i brug. Hold stik og stikkontakt tør.
- Lad ikke termostaten stå på ON i perioder, hvor grillen ikke er i brug.
- Opbevar altid termostaten indendørs, når den ikke er i brug.
- Ved lange perioder hvor grillen ikke anvendes, skal du fjerne termostaten fra grillen.

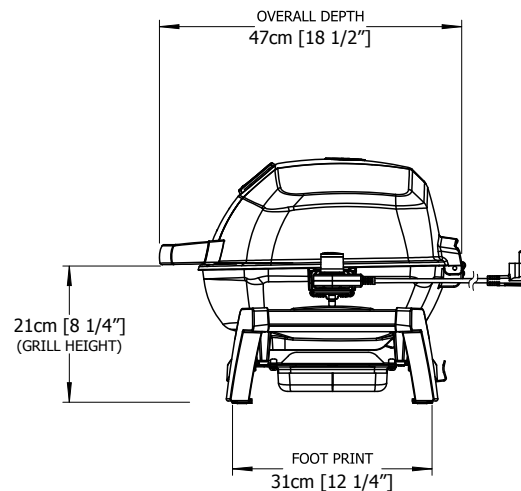
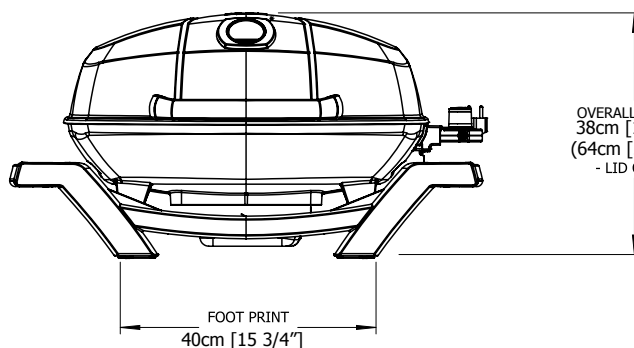
Dimensioner



PRO285E GRILL

GRILL SIZE: 37cm X 54cm (IRREGULAR) = 1840 cm² (14 1/2" X 21 1/4" (IRREGULAR) = 285 in²)

ALL DIMENSIONS ARE APPROXIMATE



DK



PAS PÅ! For din egen sikkerhed anbefaler vi at du bærer arbejdshandsker og beskyttelsesbriller, når du pakker grillen ud og samler den. På trods af, at vi gør en indsats for at lave en nem og problemfri samle-proces, så er en karakteristika for de fabriksforarbejdede dele i stål, at de kan have skarpe kanter og hjørner, hvilke kan skære, hvis de ikke håndteres korrekt.

Korrekt bortskaffelse af grillen

Denne mærkning indikerer at grillen ikke må bortskaffes med andet husholdningsaffald. Dette gælder for hele EU. For at forhindre mulig skade på miljø eller sundhed skal grillen sættes på en genbrugsstation for at fremme det bæredygtige genbrug af materielle ressourcer. For at returnere din brugte grill skal du anvende landets retur- og indsamlingssystemer eller kontakte forhandleren, hvor produktet er købt. De kan tage grillen med til miljøsikker genanvendelse.

Vejledning for tilberedning



ADVARSEL! Brug ikke grillen markiser eller brandbare udhæng. Undlader man at følge vejledningen kan det resultere i brand eller personskaade.



FARLIGT! Grillen bør ikke sættes til opbevaring eller transporteres umiddelbart efter brug. Lad først grillen køle helt af inden den pakkes væk. Undlader man dette kan det medføre ild eller personskaade !

Når grillen tændes første gang, vil den udsende en svag lugt. Det er en normal og midlertidig tilstand forårsaget af forbrændingen af overskydende maling og olier, som anvendes i fremstillingsprocessen. Det vil ikke ske efter første optænding.

Indstil temperaturen så højt som muligt og med låget åbent i ca. 30 minutter.

Hvis du skal grille magert kød, såsom kylling eller magert svinekød, kan du give grillristene madlavningsolie og lægge dem i grillen mens du brænder den ren for produktionsrester. Dette forhindrer at kødet sidder fast på grillristen. Griller du kød med en høj fedtprocent kan det forårsage opflamning. For at forhindre dette kan du enten trimme kødet for det værste fedt eller grille med lavere temperaturer.

Vejledning vedr. stegetemperatur

Forvarm på HIGH i 15-20 minutter med låget lukket. Indstil derefter din ønskede temperatur. Dette er en guide til brug udendørs såfremt temperaturen udendørs er 22°C. For at tilføje ekstra lækker røg til din madlavning, kan du anvende et tilkøbt Napoleon Pro Røgerør med røgflis, fx. Mesquite eller Hickory.

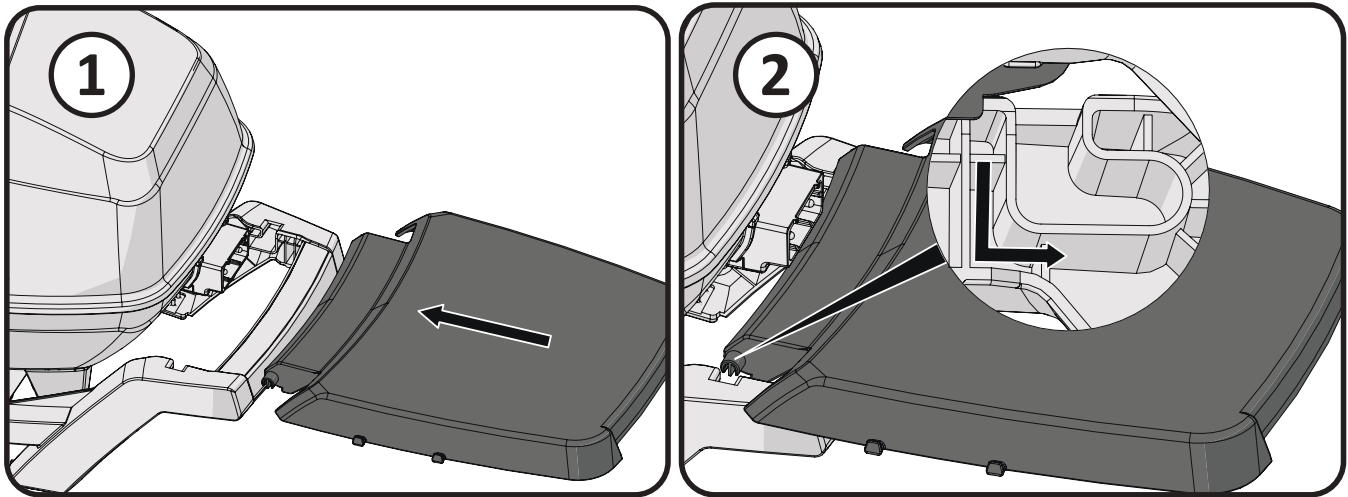
Mad	Regulator indstilling	Tid på grillen	Forslag
Steak 2,54 cm tyk	Indstil på HIGH, 2 min. på hver side Indstil på HIGH, 2 min. på hver side Derefter indstil på MEDIUM Indstil på HIGH, 2 min. på hver side Derefter indstil på MEDIUM	4 min. – Rød 6 min. – Medium 8 min. – Gennemstegt	Når du skal vælge kød til grillmiddagen, så spørg efter godt mamoreret kød. Fedtet skaber en naturlig mørhed under grillningen og holder kødet saftigt.
Hamburger 1,27 cm tyk	Indstil på HIGH, 2 min. på hver side Indstil på HIGH, 2 ½ min. på hver side Indstil på HIGH, 3 min. på hver side	4 min. – Rød 5 min. – Medium 6 min. – Gennemstegt	Du griller hurtigere dine hamburgere ved at lave dine bøffer tyndere.
Kyllinge stykker	Indstil på HIGH, 2 min. på hver side Indstil på MEDIUM – LAV til kødet er færdigt.	20-25 min.	Forbindelsen mellem lår og ben (på den skinløse side) skal skæres ¾ af vejen. Så kan kødet ligge fladere på grillen og det hjælper med at grille det hurtigere og mere jævnt.
Svinekoteletter	MEDIUM	6 min. per side	Trim det overskydende fedt før du griller. Vælg tykkere koteletter for mere møre resultater.
Spareribs	Indstil på HIGH i 5 minutter. Indstil på LOW til kødet er færdigt.	20 min. per side Vend kødet ofte	Vælg ribben, som er magre og kødfulde. Grill det til kødet trækkes væk fra benet.
Lammekoteletter	Indstil på HIGH i 5 minutter Indstil på MEDIUM til kødet er færdigt.	15 min. per side	Trim det overskydende fedt før du griller. Vælg ekstra tykke koteletter for mere møre resultater.
Hotdogs	MEDIUM - LOW	4-6 min.	Vælg større pølser og skær riller i pølserne (i længden) inden de grilles.

DK

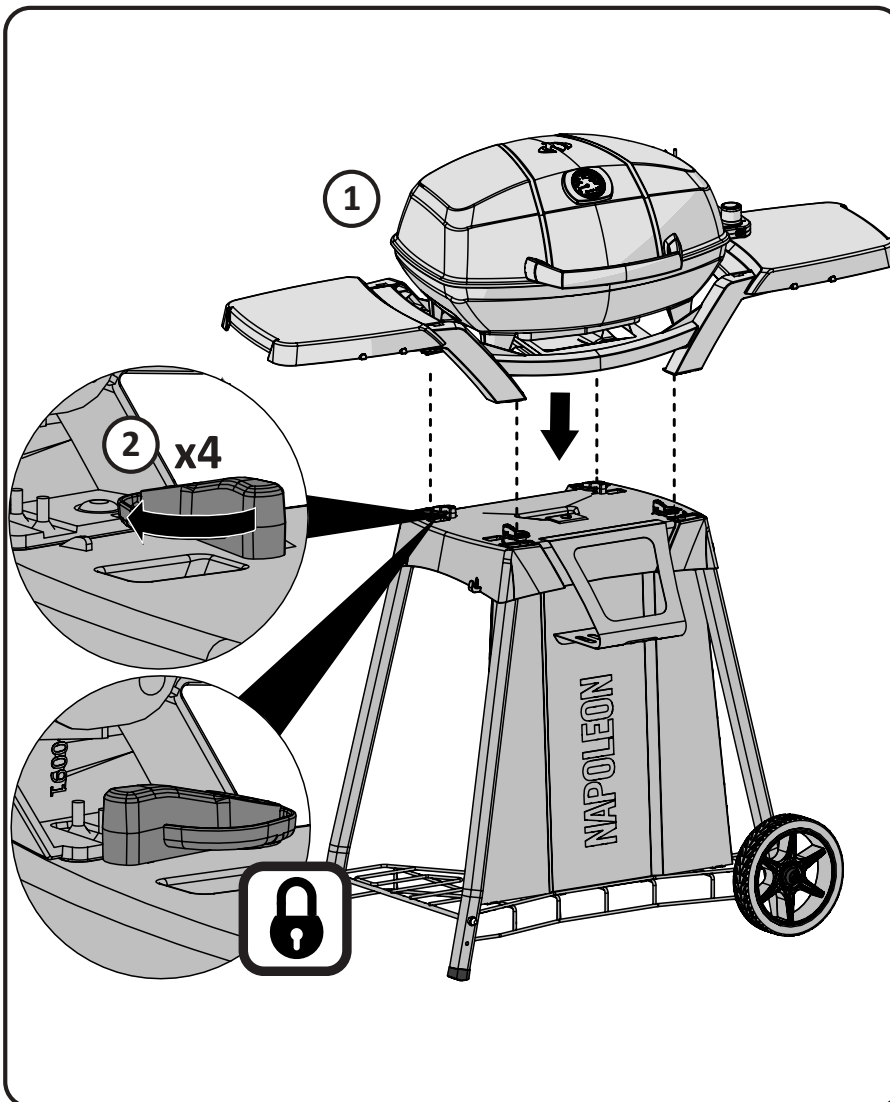
Fejlfinding

Problem	Mulig årsag	Løsning
Ingen varme	<p>Termostaten er slukket. Ingen strøm.</p> <p>Fejl på termostaten eller varmelegemet.</p>	<p>Drej termostaten til maksimal varme. Sørg for at termostaten er anbragt rigtigt på grillpladen og korrekt sat i stikkontakten. Kontroller at afbryderen er slukket. Nulstil den.</p> <p>Forvarm grillen med lukket låg i 15-20 minutter.</p> <p>Udskift termostaten eller varmelegemet.</p>
Lav varme	<p>Forkert forvarmning.</p> <p>Overdreven opbygning af skidt i bunden.</p>	<p>Forvarm i 15-20 minutter. Forøg varmen.</p> <p>Rengør bunden for skidt.</p>
Overdreven opflamning / ujævn varme	<p>Overdreven fedt i kød.</p> <p>For høj temperatur til typen af mad.</p> <p>Opbygning af fedt.</p>	<p>Trim kødet for det værste fedt.</p> <p>Skru ned for temperaturen.</p> <p>Rengør grillen.</p>
Kredsløbsfejl eller sikringsfejl	<p>Strømstyrke</p> <p>Et andet apparat er tilsluttet same kredsløb som grillen.</p> <p>Fugt eller vand i termostaten eller den elektriske forbindelse.</p>	<p>Drej regulatoren hen på OFF, inden du tilslutter den stikkontakten.</p> <p>Anvend ikke andre elektriske apparater på samme kredsløb.</p> <p>Hold termostaten og elektriske komponenter tørre.</p>

VALGFRI HYLDE



EN OPTION



DK

Vejledning for rengøring og vedligeholdelse



ADVARSEL! Brug altid beskyttelseshandsker og sikkerhedsbriller, når du anvender grillen.



ADVARSEL! For at undgå potentielle forbrændinger bør vedligeholdelse kun ske, når grillen er afkølet. Undgå ubeskyttet kontakt med varme overfalder. Sørg for at grillen er slukket. Rengør grillen i et område, hvor rengøringsprodukter ikke vil skade dæk, græsplæner eller terrasser. Anvend ikke ovnrens til at rengøre dele af grillen. Anvend ikke en selvrensende ovn til at rengøre grillrist eller andre dele af grillen. BBQ sauce og salt kan være ætsende og medføre hurtig forringelse af grillkomponenterne, med mindre de rengøres regelmæssigt.



Grillrist i støbejern: Din grill leveres med en grillrist i støbejern, hvilket giver en optimal varme og varmfordeling. Ved regelmæssigt at give dine grillriste olie tilføjer du en beskyttende non-stick belægning, som også hjælper grillristen med at modstå rust.

Inden grillen tændes første gang: Vask grillristen med hånden og derudover mildt opvaskemiddel og vand. Dette fjerner eventuel produktionsolie fra fremstillingsprocessen. Grillristen må IKKE komme i opvaskemaskinen. Skyld efter med varmt vand og tør grillristen grundigt med en blød klud. Det er vigtigt for at undgå at der kommer fugt ind i støbejernet. Vær opmærksom på at grillen udsender en svag lugt første gang den tændes.

Jævnlig vedligeholdelse: Giv din grillrist madolie over hele overfladen med en blød klud, køkkenrulle eller en marinadebørste. Sikr dig at alle riller og hjørner er dækket. Anvend IKKE saltede fedtstoffer som smør eller margarine. Forvarm grillen i 15 minutter, og sæt derefter de olierede grillriste på plads i grillen. Drej kontrolknapperne til 'medium', luk låget og vent ca. 30 minutter. Drej herefter kontrolknapperne til 'off' og lad grillristene stå indtil de er kølet af. Denne proces er ikke nødvendig i det daglige men skal gentages flere gange i løbet af sæsonen.

Daglig vedligeholdelse: Giv din grillrist et lag madlavningsolie og varm derefter grillen op. Når grillen er varm kan du børste eventuelle madrester væk med en grillbørste med børstehår i messing. Derefter er du klar til at grille.

Rengøring indvendigt i grillen: Fjern grillristene. Brug en blød messingbørste til at fjerne løst skidt fra lågets inderside. Børst alt skidt fra grillen ned i den aftagelige fedtbakke. Fjern bundbeklædningen (bundbakken). Anvend ikke slibende rengøringsmidler til at rengøre porcelænsunderlaget. For at fjerne genstridige pletter kan du sætte porcelænsunderlaget i blød i sæbevand. Rengør den med et rengøringsmiddel, som ikke har en slibende effekt, og tør efter med en ren klud. Sørg for at underlaget er anbragt korrekt, når den igen installeres.

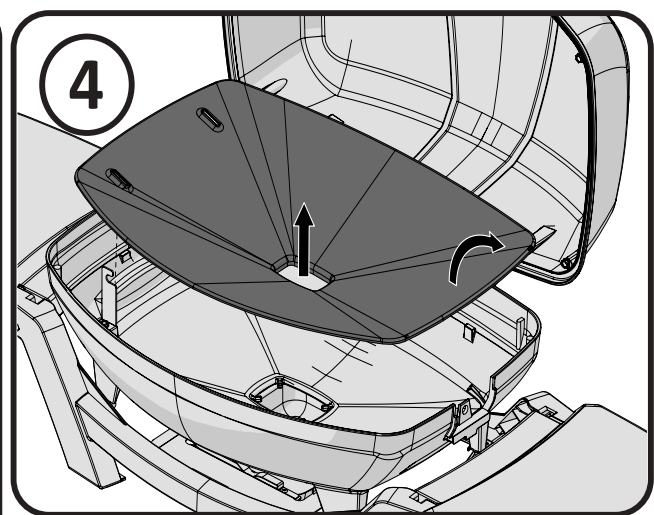
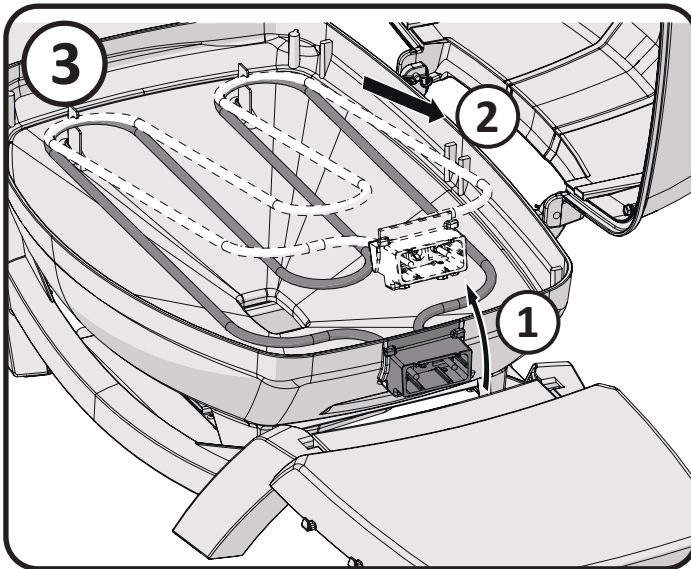
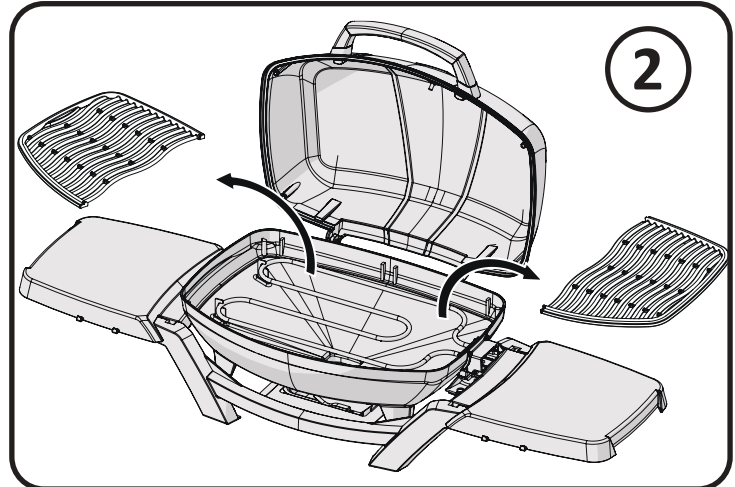
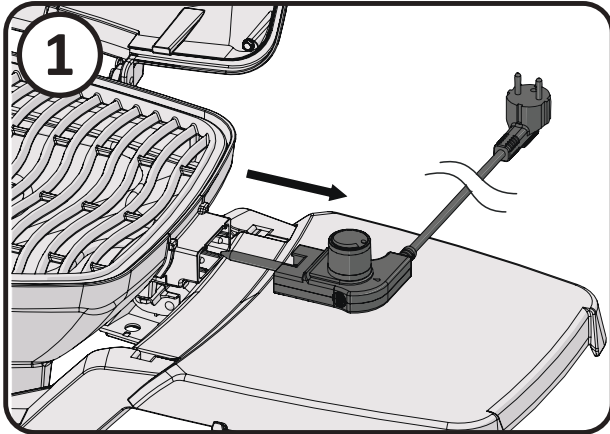
Fedtbakke: Skub fedtbakken ud for nemt at rengøre den. Den bør rengøres ofte (efter hver 4.-5. grillning) for at undgå opbygning af fedt. Fedt og overskydende skidt drypper ned i fedtbakken, som er placeret under grillen. Opbygget fedt kan forårsage fedtbrand. Læg ikke en foliebakke i fedtbakken, da det kan forhindre den nødvendige at den rigtige mængde luft, der er nødvendig for at brænderne kan fungere korrekt. Bakken kan skrubes ren med en kniv eller skraber.

Rengøring udvendigt i grillen: Anvend ikke rengøringsmidler med slibende effekt på de malede dele af grillen. For at beskytte de emaljerede dele, skal du anvende et mildt rengøringsmiddel på en blød klud, eller børste/tørre skidt væk. Tør efter med en ren, blød klud.

Rengøringstrin

Demontering:

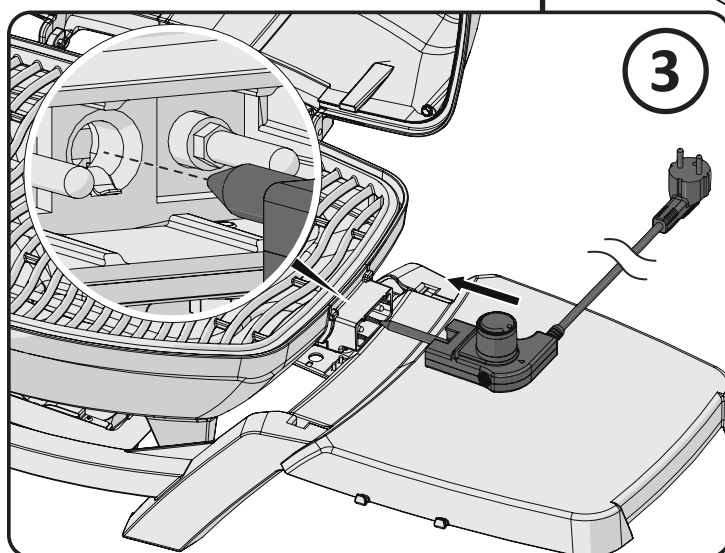
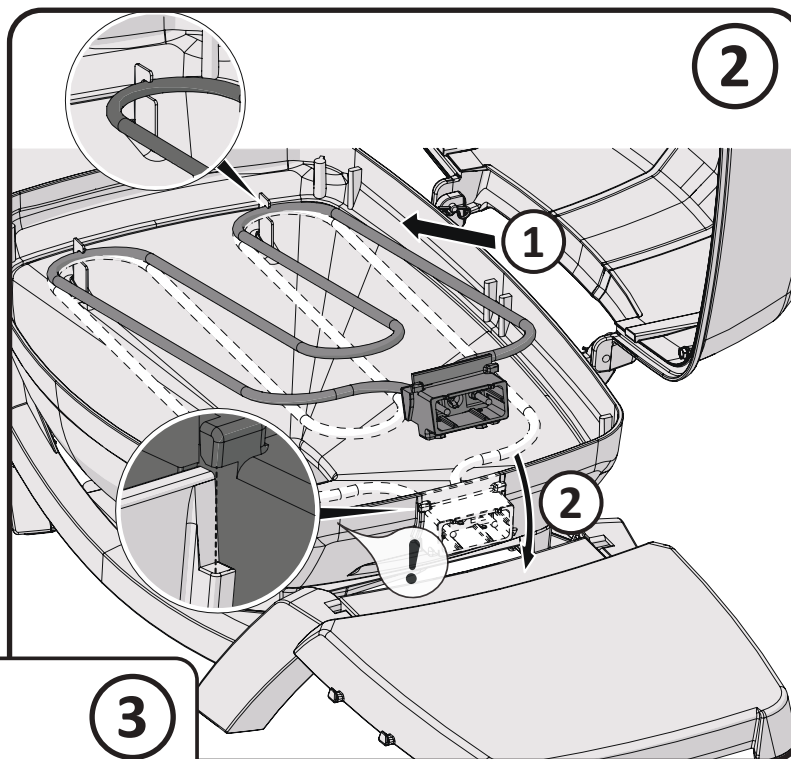
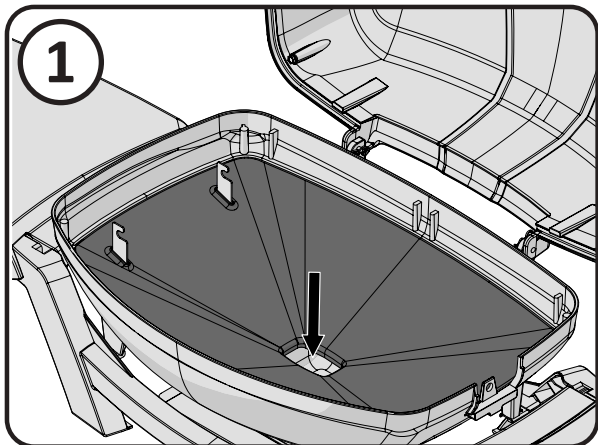
1. Tag stikket ud af stikkontakten og fjern termostaten
2. Fjern grillristene
3. Tryk på springfjederen og løft varmeelementet ud af grillen
4. Fjern bundbeklædningen



DK

Genmontering:

1. Sæt bundbeklædningen tilbage.
2. Sæt enderne af varmeelementerne tilbage i deres holdere og klik dem på plads.
3. Sæt termostaten og kogepladerne på igen.



OPBEVAR KØBSKVITTERING SOM BEVIS FOR GYLDIG GARANTIPERIODE

Bestilling af reservedele

Garantioplysning

MODEL: _____

KØBSDATO: _____

SERIENUMMER: _____

(Vejledning ved bestilling)

Kontakt forhandler direkte ved bestilling af reservedel samt garantispørgsmål. Ved tilfælde med reklamationer eller ønske om reservedele bedes man kontakte den NAPOLEON forhandler hvor grillen er købt - eller nærmeste forhandler.

Inden man kontakter sin forhandler for kundeløsninger på grund af en fejl, bør man informere sig i vejledning omkring rengøring, vedligeholdelse og fejlfinding.

For at kunne behandle en reklamation skal følgende være oplyst:

1. Model og serienummer for grillen
2. Del nr. og beskrivelse af delen som ønskes.
3. En kortfattet beskrivelse af problemet ("brækket" er ikke tilstrækkeligt)
4. Købskvittering (kopi)

For at kunne behandle reklamationen vil det i nogle tilfælde være nødvendigt at indlever den defekte del – den må derfor ikke smides væk inden reklamationen er færdigbehandlet. Ved indlevering af defekt del skal ovenstående oplysninger medfølge.

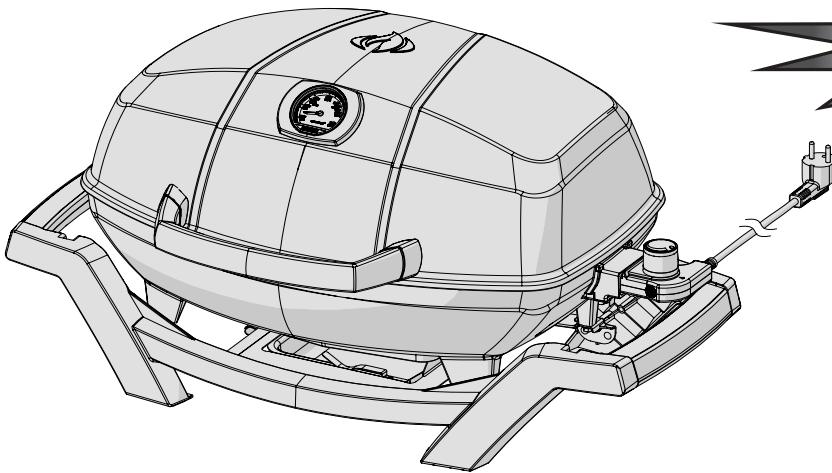
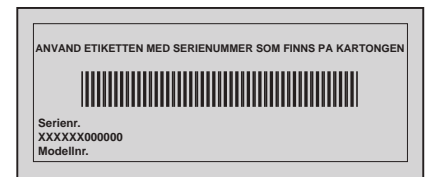
Det bedes bemærke at følgende omkostninger ikke dækkes i tilfælde af garanti:

- Udgift til fragt ved defekte dele
- Arbejds løn ved ombytning af dele.
- Udgifter ved kontakt til forhandler ved reklamation.
- Ændring af farve på rustfri stål dele
- Defekt på dele som skyldes manglende rengøring og vedligeholdelse, eller brug af forkerte rengøringsmidler (ovn rens m.v.)

DK



DK



Den här apparaten är klassad för
220-240 VAC – 50/60 Hz
2200 W



VARNING! Att inte följa anvisningarna i denna manual kan leda till brand- eller brännskada som kan orsaka skador på egendom, personskada eller dödsfall. Läs och följ alla varningar och instruktioner i denna manual innan du använder grill.



VARNING!

- Endast för utomhusbruk.
- Vid användning av eldrivna apparater bör grundläggande säkerhetsåtgärder, inklusive följande, alltid följas för att minska risken för brand, elektriska stötar, personskador och materiella skador.
- Spara denna manual för framtida behov.

SE



N415-0478W JAN 20.21

Wolf Steel Europe BV
De Riemsdijk 22, 4004 LC, Tiel
The Netherlands
eu.info@napoleon.com

www.napoleon.com

10 års Begränsad Garanti för Napoleon President

NAPOLEON-produkter är konstruerade med förstklassiga komponenter och material och är monterade av utbildade hantverkare med stor yrkesskicklighet och noggrannhet. Denna grill har noggrant inspekterats av en kvalificerad tekniker innan paketering och frakt för att säkerställa att du som kund får den kvalitetsprodukt du förväntar dig av NAPOLEON.



NAPOLEON's begränsade livstidsgaranti gäller under följande perioder:

Gjutna delar av aluminium.....	10 år
Fettsköld - Porslinemaljerat gjutjärn.....	5 år, plus "50 % rabatt" t.o.m. år 10
Grillgaller - porslinsemaljerat gjutjärn	5 år, plus "50 % rabatt" t.o.m. år 10
Värmeelement och termostat.....	2 år
Övriga delar.....	2 år

*Villkor och begränsningar

NAPOLEON garanterar dess produkter mot fabrikationsfel enligt ovanstående tabell förutsatt att inköpet gjordes hos en auktoriserad NAPOLEON-återförsäljare samt att produkten använts för normal privat användning. Denna garanti kan inte på något sätt överlåtas utan gäller endast för den ursprungliga köparen.

"50 % rabatt" i ovanstående tabell innebär att köparen erbjuds att, efter utgången garantitid, köpa reservdelar med 50 % rabatt på gällande pris.

Med "Normal privat användning" menas att produkten har installerats enligt medföljande manual, installationen uppfyller gällande lokala och nationella föreskrifter, underhållits enligt medföljande manual och inte använts för kommersiellt syfte.

Inbyggnads- samt naturgasgrillar som ska kopplas till fast anslutning måste installeras av en licensierad, auktoriserad servicetekniker eller installatör. Installationen ska utföras i enlighet med de anvisningar som medföljer produkten samt lokala och nationella bygg- och brandföreskrifter.

Denna garanti täcker inte skador som orsakats av överhettning eller att lågan slocknar p.g.a. t.ex. miljöfaktorer som stark vind eller otillräcklig ventilation, repor, bucklor, ytrost, missfärgning av lackerade eller målade delar, missfärgning orsakad av värme, slipmedel, rengöringsmedel eller UV-exponering, flisning på delar av porslinsemaljerat gjutjärn. Garantin gäller inte heller skador som orsakats av felaktig användning, olyckshändelse, hagelskurar, fettbränder,

bristande underhåll, miljöer med höga halter av klor eller salt, modifieringar, missbruk eller försummelse. Även att använda delar från andra tillverkare upphäver garantin. Om delar inom garantitiden blir så pass defekta att de inte längre uppfyller sin funktion, kommer en reservdel att tillhandahållas.

NAPOLEON's garantiåtagande omfattar endast att tillhandahålla en utbytesdel och omfattar inte ersättning för eventuella kostnader för installation, arbete eller andra kostnader eller utgifter i samband med ominstallation av garanterad del. Man ansvarar inte heller för eventuella transportkostnader eller tullavgifter.

Denna garanti är ett komplement till gällande lokala lager och föreskrifter. Följaktligen innebär inte denna garanti att NAPOLEON har någon skyldighet att lagerhålla reservdelar. Baserat på tillgång av reservdelar, kan NAPOLEON besluta att istället för utbytesdel tillhandahålla en ny produkt till rabatterat pris. Efter det första året, kan NAPOLEON trots gällande garantier, välja att istället för att tillhandahålla reservdelar ge återförsäljaren en återbetalning på det belopp som motsvarar hans inköpspris för den defekta delen.

Kvitto eller kopia på köpet ska uppvisas tillsammans med bild på typskylt med serienummer och bild på defekt del när det görs anspråk på garantin. NAPOLEON förbehåller sig rätten att låta en representant inspektera den defekta produkten eller delen innan eventuell åtgärd genomförs. Vid anspråk på garantin ska köparen först vända sig till inköpsstället av produkten och i andra hand till generalagenten i det land som grillen är köpt.

SE



www.napoleon.com



VARNING! Läs alla instruktioner före användning.

Säker användning

- Använd endast denna grill enligt beskrivningen i den här manualen. All annan användning som inte rekommenderas i den här bruksanvisningen kan orsaka brand, elektriska stötar eller personskador.
- Denna grill är endast avsedd för utomhusbruk. Använd inte inomhus eller för kommersiell matlagning.
- Bygg inte om denna produkt eller ändra dess utförande.
- Använd inte träkol eller andra brännbara bränslen i denna grill. Denna grill är inte avsedd för kolanvändning och det kan uppstå brand. Elden kan skapa ett osäkert tillstånd och skador på grillen.
- Bygg inte in den här modellen av grill i någon konstruktion. Att ignorera denna varning kan orsaka brand eller explosion som kan skada egendom eller orsaka allvarlig personskada eller död.

Elektriska skyddsåtgärder:

- Denna apparat överensstämmer med tekniska standarder och säkerhetskrav för elektriska apparater.
- Se alltid till att eluttaget som används har rätt spänning beroende på apparatens ingångseffekt. Uttag måste också vara lämpliga för utrustning med en energiförbrukning på 2200 watt.
- Se till att inga andra apparater med hög effekt är anslutna till samma säkring när du använder grillen.
- Grillen ska anslutas till ett uttag med jordning.
- Elförsörjningen ska tillhandahållas via en restströmsanordning (RCD) med en nominell kvarvarande driftsström som inte överstiger 30 mA.
- Använd inte enheten om stickkontakten är skadad.
- Sladden bör regelbundet undersökas för tecken på skador, och apparaten får inte användas om sladden är skadad.
- Använd inte grillen med ett temperaturreglage som har skadad sladd eller kontakt. Om nätsladden är skadad, måste den bytas ut av en elektriker eller annan auktoriserad.
- Om du använder en förlängningssladd måste den vara konstruerad för utomhusbruk och klassificerad för den ingående effekt som krävs av apparaten.
- Anslut inte två eller flera förlängningssladdar efter varandra.

Säkerhetsanvisning:

- Sätt alltid temperaturreglaget i grillen innan du ansluter nätsladden till uttaget.
- När du tar bort temperaturreglaget från grillen, koppla loss den från uttaget först.
- Lyft av enheten genom att hålla i vredet till att det lossnar. Ta bort temperaturreglaget genom att greppa på sidan.
- Om höga lågor uppstår, använd inte vatten för att släcka lågorna. Vrid vredet till OFF. Koppla ur nätsladden och vänta tills grillen svalnar.
- Håll kontakten och sladden torra när de används. Använd inte den elektriska grillen i regn.
- Använd grillen endast på en jämn, stabil yta.
- Låt inte sladden vidröra grillen när den är varm.
- Dropptråget måste alltid vara på plats under grillen.
- Flytta inte på grillen medan den är i bruk.
- Lämna inte grillen utan tillsyn när den används.
- Håll små barn och husdjur borta från grillen medan den används. Barn får inte leka med apparaten.
- Denna apparat kan användas av barn från 8 år och uppåt under uppsikt av vuxen.
- Barn bör övervakas vid rengöring och underhåll av grillen.
- Använd inte grillen nära brännbara material som trä, torrt gräs, buskar etc.
- Låt inte grillen komma i kontakt med brandfarliga material som papper, väggar, draperier, handdukar, kemikalier etc.
- Använd inte grillen i områden med mycket trafik. Håll strömförsörjningskabeln bort från gångvägar/banor.
- För att skydda grillen, använd inte grillen inom 3 m från pool, damm eller annat vatten.
- Använd inte som värmare.
- Låt apparaten svalna innan den flyttas eller förvaras.

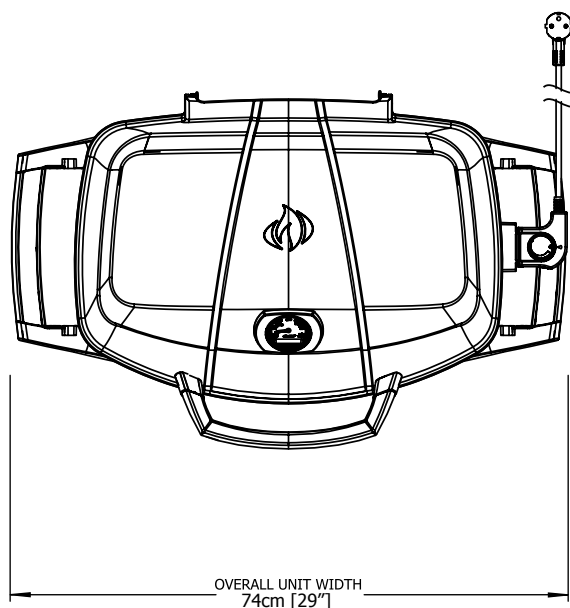
Rengöring:

- Rengör dropptråget regelbundet.
- Sänk inte ner elektriska komponenter i vatten vid rengöring.
- För att undvika elektriska stöt, sänk inte ner stickkontakten, sladden eller temperaturreglaget i vatten eller någon vätska.

Lagring:

- Dra ut stickkontakten när den inte används och håll kontakt och kabel torra.
- Lämna inte temperaturreglaget i ON-läge under perioder som inte används.
- Förvara alltid temperaturreglaget inomhus när den inte används.
- Vid längre perioder utan användning, montera bort temperaturreglaget från grillen. “

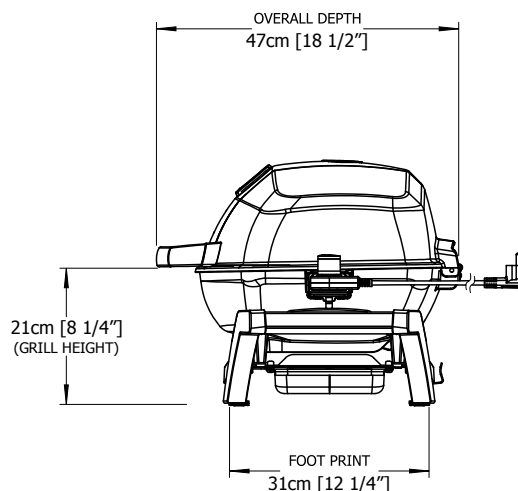
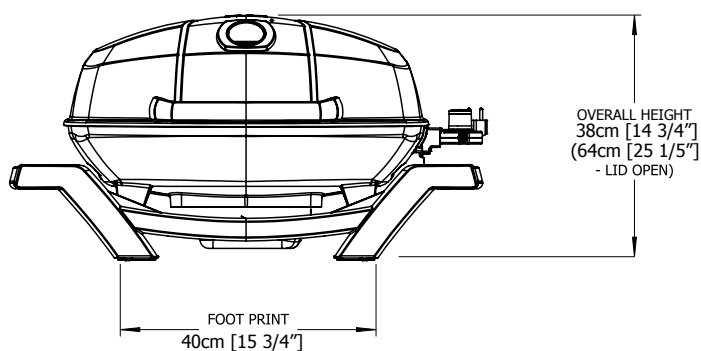
Dimensioner



PRO285E - GRILL

GRILL SIZE: 37cm X 54cm (IRREGULAR) = 1840 cm² (14 1/2" X 21 1/4" (IRREGULAR) = 285 in²)

ALL DIMENSIONS ARE APPROXIMATE



SE



VAR FÖRSIKTIG! Under uppackning och montering rekommenderar vi att du använder arbetshandskar och säkerhetsglasögon som skydd. Även om vi anstränger oss för att göra monteringen så problemfri och säker som möjligt, kännetecknas den av färdiga stäldelar som kan ha skarpa kanter och hörn som kan orsaka skärskador om de inte hanteras på rätt sätt.

Korrekt avfallshantering av produkten

Denna märkning indikerar att produkten inte ska kastas med annat hushållsavfall inom hela EU. Återvinn produkten ansvarsfullt för att stödja hållbar återanvändning av materiella resurser samt för att förhindra möjlig skada på miljön eller människors hälsa av okontrollerad avfallshantering. Använd retur- och insamlingssystem för att returnera din begagnade anordning eller kontakta återförsäljaren där produkten köptes. De kan ta hand om produkten för en miljövänlig återvinning.

Instruktioner för tillagning



WARNING! Använd inte denna grill under utfällda markiser då det kan leda till brand eller personskada.



FARA! Placera inte denna grill i förvaringsutrymme eller reseläge direkt efter användning. Låt grillen svalna till beröringstemperatur innan den flyttas eller förvaras. Underlåtenhet att göra detta kan resultera i en brand som kan resultera i skador på egendom, personskada eller dödsfall.

När den används för första gången avger grillen en svag lukt. Detta är normalt och orsakas av förbränning av inre färger och smörjmedel som används i tillverkningsprocessen och kommer inte att uppstå igen. Kör grillen på max. med locket öppet i ungefär ½ timme. När du lagar mycket magert kött, till exempel kycklingbröst, eller magert fläsk, kan grillgallret oljas före uppvärmingen för att minska risken för att det ska fastna.. Att laga kött med en hög grad av fetthinnehåll kan skapa uppflamningar. Antingen skärbort lite fett eller sänk temperaturerna för att förhindra detta.

Grilla Diagram

Förvärm på HÖG temp. i 15-20 minuter med ett stängt lock och ställ sedan in på önskad temperatur. Detta är en riktlinje för tillagning vid utomhustemperatur på 22 ° C.

För att lägga till en unik smak till din matlagning, prova Napoleon rökspänn som tillbehör med t.ex. mesquite- eller hickory-smak.

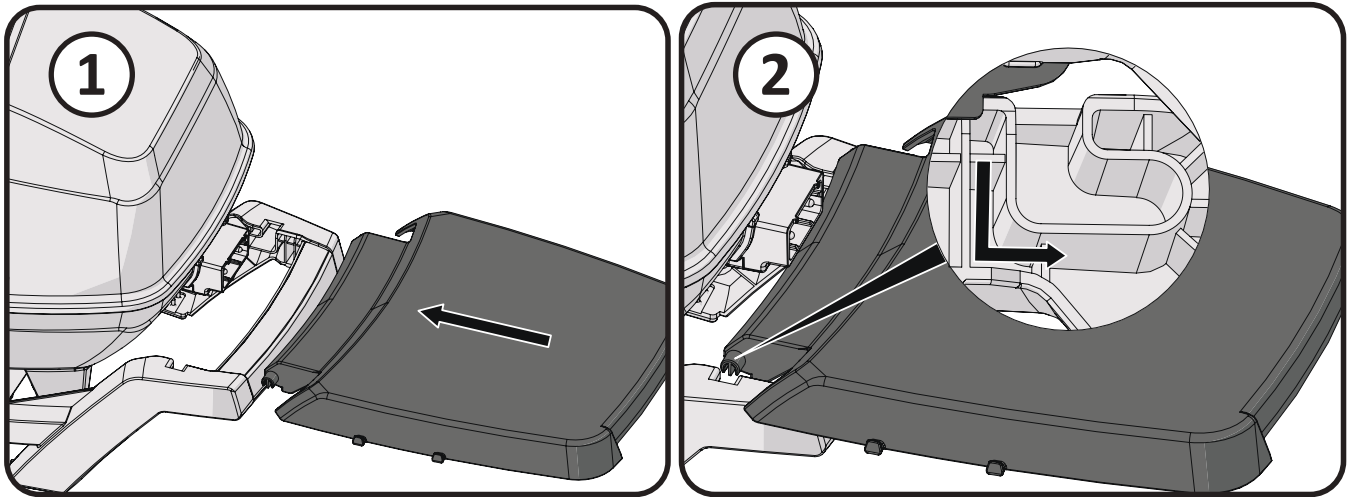
Mat	kontrollinställning	Yillagningstid	Rekommendation
Biff 2.54cm (1 in.) Tjock	Hög inställning, 2 min. varje sida Hög inställning, 2 min. varje sida sedan medium inställning Hög inställning, 2 min. varje sida sedan medium inställning	4 min. –Sällsynt 6 min. – Medium 8 min. – Bra gjort	När du väljer kött för grillning, be om kött med marmorerat fett. Fettet fungerar som naturligt smörjmedel och håller köttet saftigt.
Hamburgare 1.27cm (1/2 in.) Tjock	Hög inställning, 2 min. varje sida Hög inställning, 2 1/2 min. varje sida Hög inställning, 3 min. varje sida	4 min. – Sällsynt 5 min. – Medium 6 min. – Bra gjort	Att förbereda hamburgare för beställning görs enklare genom att variera tjockleken på burgarna.
kycklingbitar	Hög inställning, 2 min. varje sida sedan medel-låg till låg inställning	20-25 min.	Skarven som förbinder låret och benet från den hudlösa sidan bör skäras upp till 3/4 för att köttet ska ligga platt på grillen. Detta hjälper till att tillaga snabbare och jämnare.
Fläskkotletter	Medium	6 min. per sida	Skär bort överskottsfettet innan du grillar. Välj tjockare skivor för bättre grillresultat..
Revbensspjäll	Hög inställning for 5 minutes låg till slut	20 min. per sida vända ofta	Välj revben som är magra och köttiga. Grilla tills köttet losnar lätt från benet..
Lammkotletter	Hög inställning for 5 minutes Medium till slut	15 min. per sida	Skär bort överskottsfettet innan du grillar. Välj extra tjocka skivor för bättre grillresultat..
Varmkorv	Medium -låg	4-6 min.	Välj tjockare korvar. Snitta i längdriktningen innan grillning.

SE

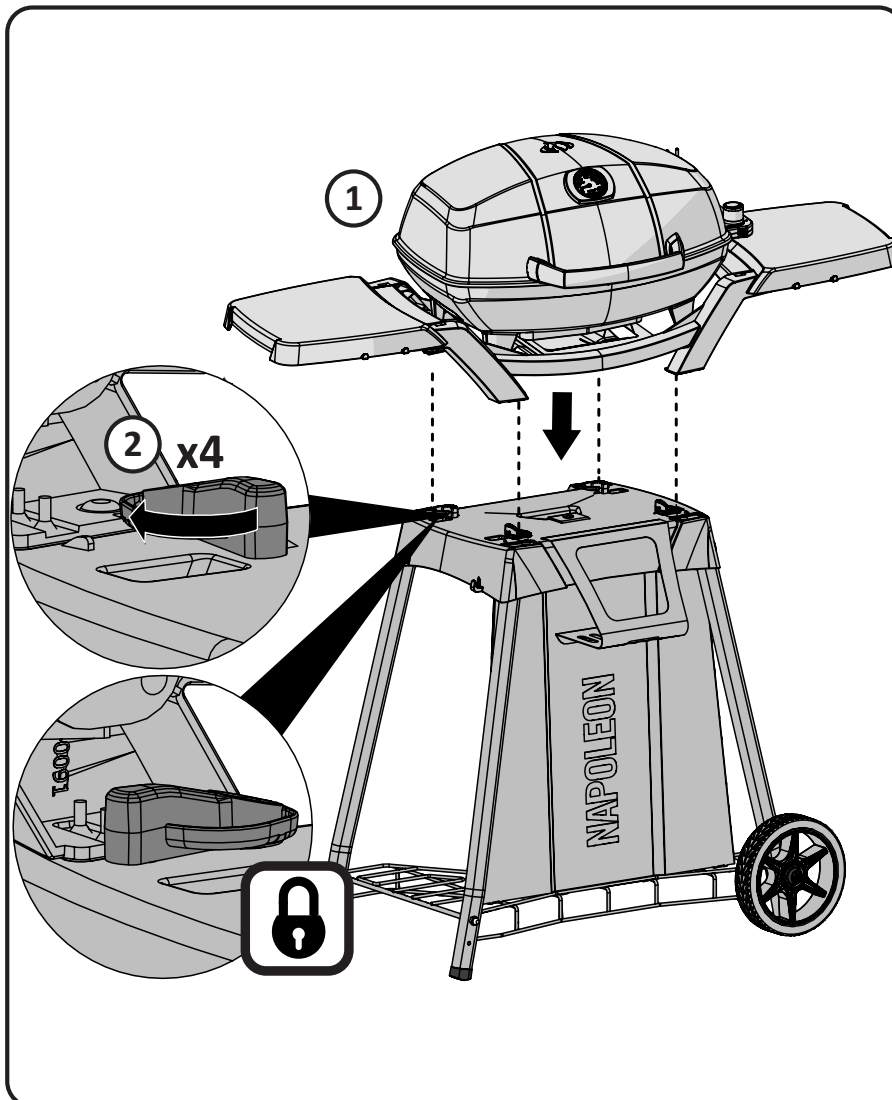
Felsökning

Problem	Möjliga orsaker	Lösning
Ingen värme	<p>Termostat är avstängd. Ingen ström.</p> <p>Felaktig termostat eller grillplatta.</p>	<p>Vrid termostaten till max. Se till att termostaten sitter rätt i grillen och är ordentligt ansluten till uttaget. Prova ett annat uttag. Kontrollera om jordfelsbrytare löst ut. Återställ. Vrid termostaten till max. Förvärm grillen med locket stängt i 15-20 minuter.</p> <p>Byt ut termostat eller grillplatta.</p>
Låg värme	<p>Felaktig förvärmning</p> <p>Överdriven fettupbyggnad i bas eller grill..</p>	<p>Förvärm grillen med locket stängt i 15-20 minuter.</p> <p>Byt ut termostat eller grillplatta.</p>
överdrivna uppblåsningar / ojämn värme	<p>Överflödigt fett i kött.</p> <p>För hög tillagningstemperatur.</p> <p>Fettupbyggnad.</p>	<p>Skär bort fett från köttet innan du grillar.</p> <p>Justera temperaturen efter behov.</p> <p>Rengör grillen.</p>
Effektbrytare reser eller säkras	<p>Kraftkälla.</p> <p>En annan apparat är ansluten till samma uttag eller fas som grillen.</p> <p>Fukt eller vatten i termostat eller elektriska kopplingar.</p>	<p>Ställ vredet i OFF-läge innan du ansluter till eluttaget.</p> <p>Använd inte andra elektriska apparater på samma uttag/fas.</p> <p>Håll termostat och elektriska komponenter torra.</p>

VALFRI HYLLA



VALFRI



SE

Instruktioner för rengöring



WARNING! Använd alltid skyddshandskar och skyddsglasögon när du serverar din grill.

WARNING! För att undvika risken för brännskador bör underhåll endast utföras när grillen är sval. Undvik oskyddad kontakt med heta ytor. Se till att grillen är avstängd. Rengör grillen i ett område där ev. rengöringsmedel inte skadar trädäck, gräsmattor eller uteplatser. Använd inte ugnrensare för att rengöra någon del av denna grill. Använd inte en självrengörande ugn för att rengöra grillgaller eller andra delar av grillen. Grillsås och salt kan vara frätande och kan orsaka snabba försämringar av grillkomponenterna såvida de inte rengörs regelbundet.

Grillgaller av gjutjärn: De grillgaller av gjutjärn som levererades med din nya grill erbjuder överlägsen värmeållning och värmespridning. Genom att regelbundet olja in dina galler så lägger du på en skyddande beläggning, som hjälper till att motstå korrosion och öka dina galler icke-stickfunktioner.

Användning vid första gången: Tvätta gjutjärngallerna för hand med mild tvål och vatten för att ta bort eventuella rester från tillverkningsprocessen (tvätt aldrig i en diskmaskin). Skölj noggrant med varmt vatten och torka med en mjuk trasa. Detta är viktigt för att undvika att fukt kommer in i gjutjärnet. När den tänds för första gången avger grillen en svag lukt.

Återfettning: Använd en mjuk trasa och gnid in vegetabilisk olja över hela gallret. Använd inte saltade fetter/oljor som smör eller margarin. Värm upp din grill i 15 minuter och placera sedan de återfettade grillgallerna i grillen. Vrid brännarreglaget till medium och låt locket vara stängt. Låt grillgallerna värmas i ungefär en halvtimme. Ställ vreden i OFF-läge och låt grillgallerna stå tills de är svala. Denna procedur bör upprepas flera gånger under säsongen, även om den inte krävs för daglig användning (se daglig användning nedan).

Daglig användning: Innan uppvärmning och rengöring med en borste med mässingsborst, ska du täcka hela ytan på grillgallerna med vegetabilisk olja. Värm upp grillen och borsta sedan bort alla oönskade fettrester med en mässingsborste.

Rengöring inuti grillen: Ta bort grillgallerna. Använd en mjuk mässingsborste för att rengöra lös smuts från insidan av locket. Borsta all smuts från insidan av grillen ner i den avtagbara droppskålen. Ta bort dropptråg/fettuppsamlare. Använd inte slipande rengöringsmedel för att rengöra någon del. För att ta bort envisa fläckar, blötlägg i tvålatten för att det ska lossna. Rengör med ett icke-slipande rengöringsmedel och torka med en ren trasa. Se till att grillplattan är korrekt placerad.

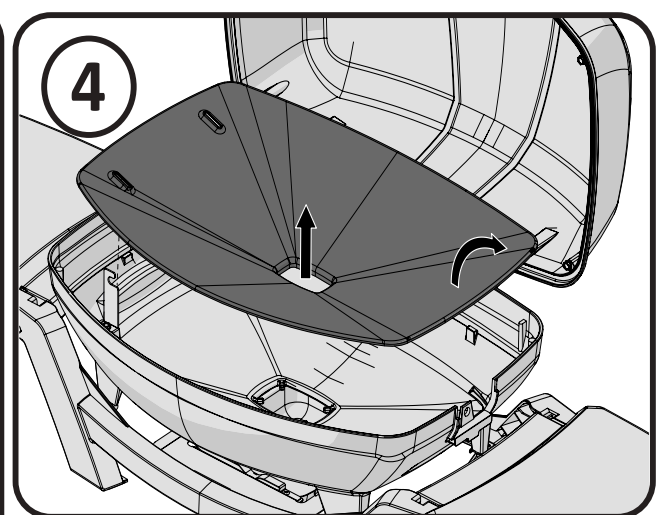
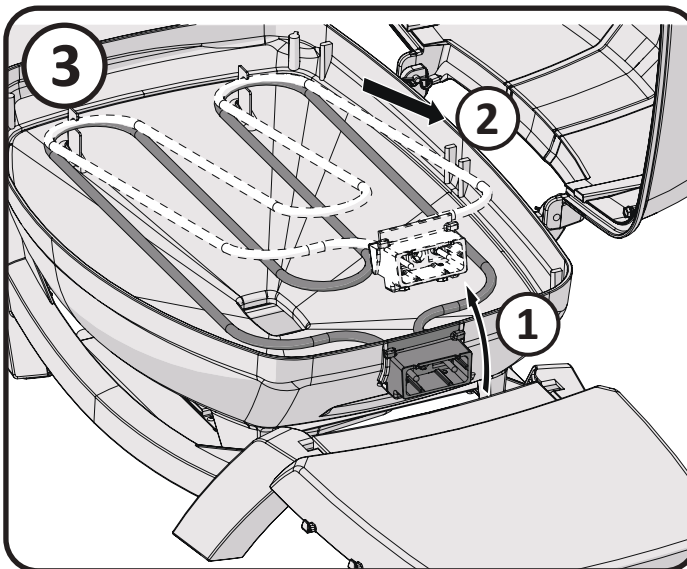
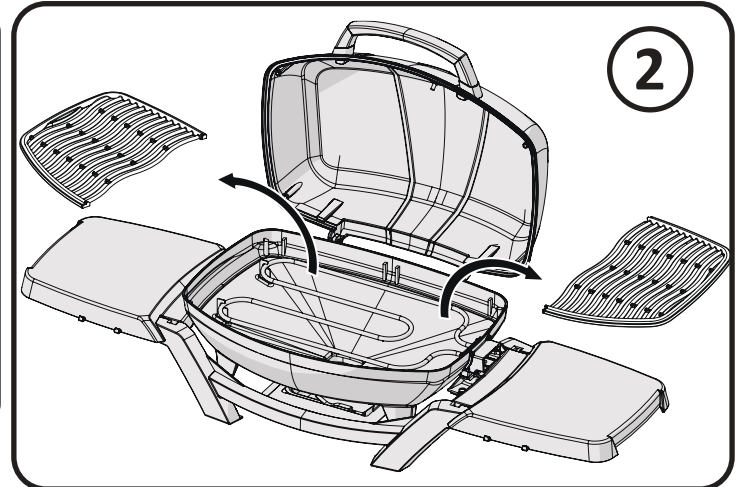
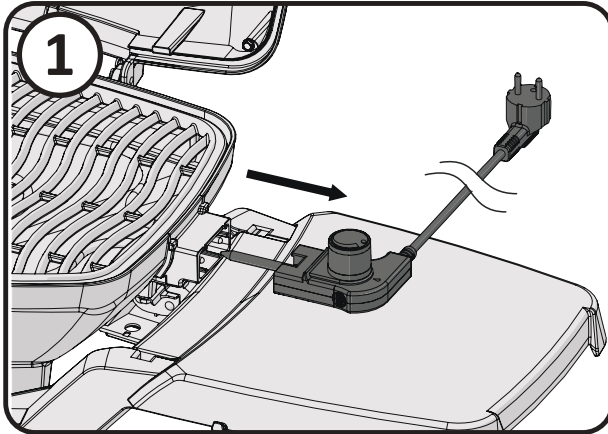
Dropplåt: Ta bort droppträget för enkel rengöring. Det bör rengöras ofta (varje 4-5 användning) för att undvika fettuppsamling. Fett och annat samlas i droppträget som sitter under grillen. Uppsamlat fett kan orsaka brandrisk. Lägg inte aluminiumfolie i droppträget eftersom det kan förhindra rätt luftmängd som krävs för att brännaren ska fungera. Tråget ska skrapas ut med en kittkniv eller skrapa.

Rengöring av utsidan av grillen: Använd inte slipande rengöringsmedel för att rengöra lackerade delar. För att skydda emaljen, använd ett mildt rengöringsmedel med en mjuk trasa eller borste för att torka bort och ta bort eventuella rester. Torka av med en ren trasa.

Rengöringssteg

Demontering:

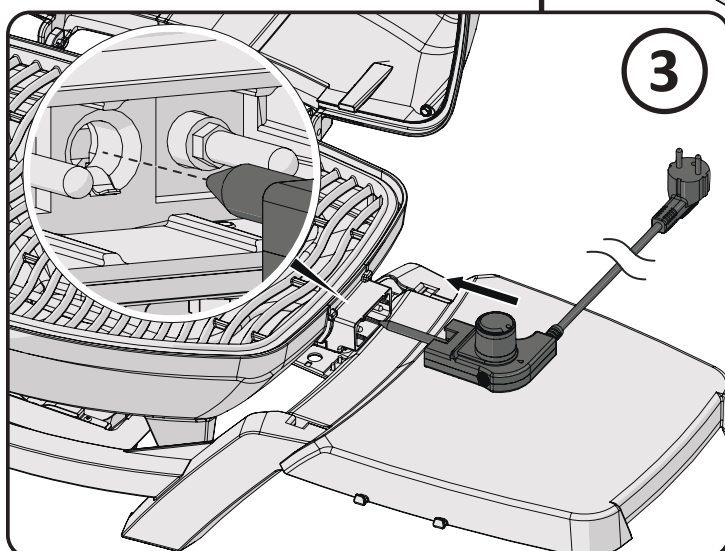
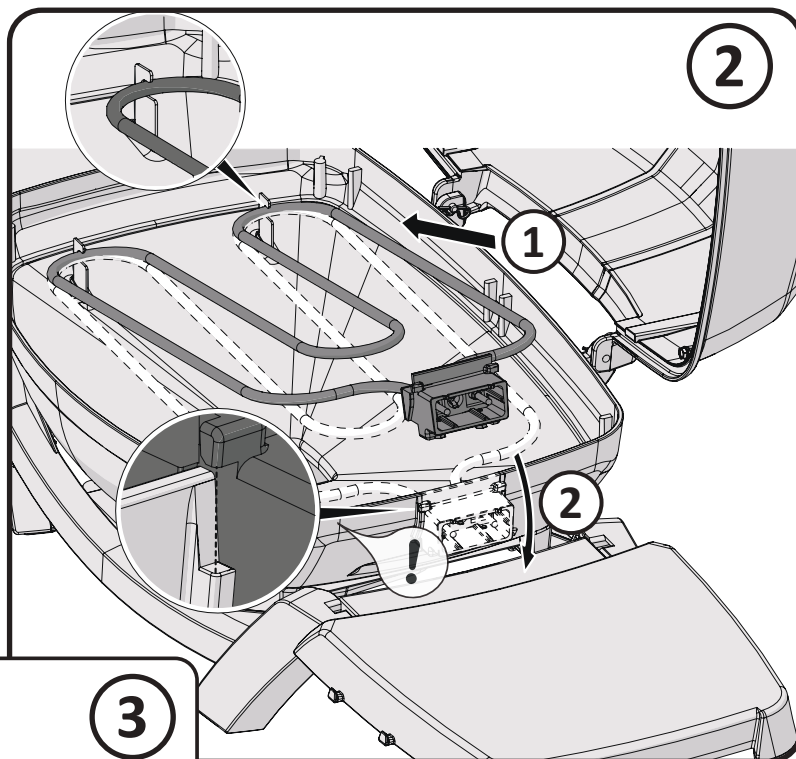
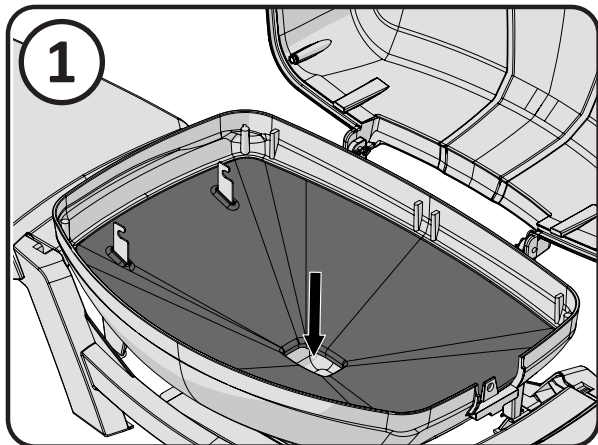
1. Dra ut sladden från väggen och ta bort termostaten.
2. Ta bort grillgallerna.
3. Lyft upp värmeslingan.
4. Ta bort strålningsplåten



SE

Återmontering:

1. Sätt tillbaka strålninsplåten.
2. Sätt tillbaka värmeslingan i sina fästen.
3. Sätt värmeslingan på plats.
4. Sätt tillbaka termostaten och grillgallererna.



SE

BEHÅLL DITT KVITTO SOM ETT BEVIS AV INKÖPET FÖR ATT BEKRÄFTA DIN GARANTI.

Beställning av ersättningsdelar

Garantiinformation

MODELL: _____

INKÖPSDATUM: _____

SERIENUMMER: _____

(Registrera information här för enklare referens)

För reservdelar och reklimationsärenden, kontakta ditt inköpsställe.

Innan du kontaktar ditt inköpsställe, besök Napoleons webbplats för mer utförliga instruktioner om rengöring, underhåll, felsökning och byte av delar på www.napoleon.com.

För att behandla ett reklimationsärende behöver vi följande information:

1. Enhetens modell och serienummer.
2. Artikelnummer samt beskrivning.
3. En kortfattad beskrivning av problemet ("trasig" räcker inte).
4. Inköpsbevis (kopia på fakturan eller kvitto).

I vissa fall kan Napoleon begära att delarna returneras för kontroll innan ersättningsdelar tillhandahålls.

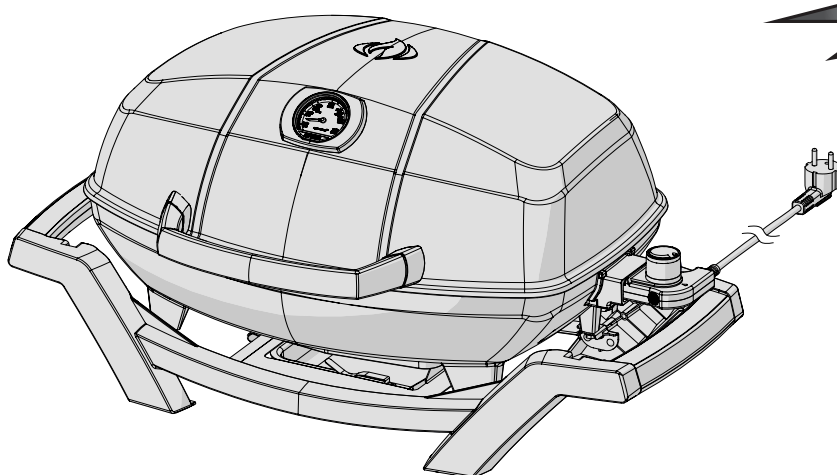
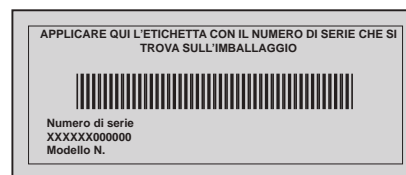
Innan ni åberopar garantin var medvetna om att följande inte omfattas:

- Kostnad för frakt, arvode eller exporttullar.
- Arbetskostnad för borttagande och ommontering.
- Kostnader för servicesamtal för att diagnostisera problem.
- Felfärgning av delar i rostfritt stål.
- Felaktigheter orsakade av bristande rengöring och underhåll eller användning av olämpliga rengöringsmedel (ugnsrengöring).

SE



SE



PRO285E



ATTENZIONE!
RISCHIO FULMINAZIONE

Questo apparecchio è classificato per
220-240 V - 50/60 Hz
2200 W



AVVERTIMENTO! La mancata osservanza delle istruzioni contenute in questo manuale potrebbe causare incendi o bruciature che potrebbero causare danni alla proprietà, lesioni personali o morte. Leggere e seguire tutte le avvertenze e le istruzioni contenute in questo manuale prima di utilizzare il grill.



ATTENZIONE!

- Solo per uso in esterno
- Quando si utilizzano apparecchi elettrici, è necessario rispettare le precauzioni di sicurezza fondamentali, tra cui quelle seguenti, per ridurre il rischio di incendi, scosse elettriche, lesioni personali e danni materiali.
- Conservare questo manuale per un riferimento futuro.

IT



N415-0478W JAN 20.21

Wolf Steel Europe BV
De Riemsdijk 22, 4004 LC, Tiel
The Netherlands
eu.info@napoleon.com

www.napoleon.com

Garanzia limitata 10 anni Napoleon President



I prodotti NAPOLEON sono stati progettati con componenti e materiali di qualità e sono assemblati da artigiani addestrati che vanno molto orgogliosi nel loro lavoro. Il gruppo bruciatore e valvola sono testati contro le perdite e accesi in una stazione di prova di qualità. Questo prodotto è stato accuratamente controllato da un tecnico qualificato prima dell'imballaggio e della spedizione per garantire che tu, cliente, ricevi il prodotto con la qualità che ti aspetti da NAPOLEON.

NAPOLEON garantisce che i componenti del tuo nuovo barbecue NAPOLEON saranno esenti da difetti del materiale e costi di manodopera dalla data del tuo acquisto, per i periodi sotto indicati:

Fusioni di alluminio / base in acciaio inox	10 anni
Scudo termico in smalto di porcellana	5 anni copertura completa, più 50% di sconto fino al 10° anno
Griglie di cottura in ghisa porcellanata	5 anni copertura completa, più 50% di sconto fino al 10° anno
Elemento riscaldante e regolatore di temperature.....	2 anni
Tutte le altre parti	2 anni

*Condizioni e limitazioni

Questa Garanzia Limitata crea un periodo di garanzia come specificato nella tabella di cui sopra, per qualsiasi prodotto acquistato tramite un rivenditore NAPOLEON autorizzato, e dà diritto all'acquirente originale alla copertura specificata per qualsiasi componente sostituito nel periodo di garanzia, da parte di NAPOLEON o di un autorizzato NAPOLEON, per sostituire un componente di tale prodotto che si è rotto durante il normale utilizzo in uso privato a causa di un difetto di fabbricazione. Il "50% di sconto" indicato nella tabella indica che il componente è messo a disposizione dell'acquirente ad uno sconto del 50% sul prezzo normale al dettaglio del componente per il periodo indicato. Questa garanzia limitata non copre accessori o articoli bonus.

Per una maggiore chiarezza, il "normale uso privato" di un prodotto indica che il prodotto è stato installato da un tecnico autorizzato o un contraente autorizzato, in conformità alle istruzioni di installazione incluse nel prodotto e di tutti i regolamenti locali e nazionali in materia di costruzione e di allaccio dei fuochi; è stato adeguatamente mantenuto; non è stato utilizzato per usi pubblici o commerciali.

Allo stesso modo, "la rottura" non include: sovraccarico, fuoriuscita causata da condizioni ambientali quali forti venti o ventilazione inadeguata, graffi, urti, corrosione, deterioramento delle finiture dipinte e placcate, scolorimento causato da calore, detergenti abrasivi o chimici o esposizione a raggi UV, taglio di parti smaltate in porcellana o danni causati da abusi, incidenti, grandine, incendi dovuti ai grassi di scolo, mancanza di manutenzione, ambienti ostili come sale o cloro, alterazioni, abusi, negligenza o parti installate da altri produttori.

Nel caso in cui il deterioramento delle parti renda impossibile l'utilizzo (ruggine perforante o bruciature perforanti) entro il periodo di copertura della garanzia, verrà fornita una parte di ricambio. Il ricambio sostitutivo è la sola responsabilità di NAPOLEON definita da questa Garanzia Limitata; NAPOLEON non sarà in nessun caso responsabile dell'installazione, del lavoro o di qualsiasi altro costo o spese legati alla reinstallazione di una parte garantita, per eventuali danni accidentali, consequenziali o indiretti o per eventuali spese di trasporto, costi del lavoro o dazi all'esportazione.

Questa garanzia limitata è fornita in aggiunta a tutti i diritti concessi dalle leggi locali. Di conseguenza, questa Garanzia Limitata non impone alcun obbligo a NAPOLEON di conservare le parti in magazzino. Sulla base della disponibilità di parti, NAPOLEON può a sua discrezione scaricare tutti gli obblighi fornendo a un cliente un credito proporzionale verso un nuovo prodotto. Dopo il primo anno, in relazione a questa Garanzia Limitata, NAPOLEON può, a sua discrezione, rispettare pienamente tutti gli obblighi relativi a questa garanzia, restituendo all'acquirente originale il prezzo all'ingrosso di eventuali parti non garantite ma difettose.

Lo scontrino di vendita o una copia sarà richiesto insieme al numero di serie e il numero di modello quando si effettua una richiesta di garanzia da parte di NAPOLEON. NAPOLEON si riserva il diritto di ispezionare tramite un suo rivenditore qualsiasi prodotto o parte prima di rispettare qualsiasi richiesta di garanzia. È necessario contattare il Servizio Clienti NAPOLEON o un rivenditore NAPOLEON autorizzato per ottenere il beneficio della copertura della garanzia.



www.napoleon.com



ATTENZIONE! Leggere tutte le istruzioni prima di utilizzare.

Pratiche operative sicure

- Utilizzare questa griglia solo come descritto in questo manuale. Qualsiasi altro uso non consigliato in questo manuale può causare incendi, scosse elettriche o lesioni personali.
- Questa griglia è destinata esclusivamente all'uso domestico esterno. Non utilizzare all'interno o per la cottura professionale.
- Non modificare in alcun modo questo prodotto o il suo utilizzo.
- Non utilizzare carbone o altri combustibili in questa griglia. Questa griglia non è progettata per l'uso del carbone e potrebbe provocare un incendio. Il fuoco potrebbe creare una condizione pericolosa e danneggiare la griglia.
- Non utilizzare questo modello di grill in qualsiasi cucina ad incasso o scorrevole. Ignorare questo avvertimento potrebbe causare un incendio o un'esplosione che potrebbe danneggiare la proprietà o causare gravi lesioni fisiche o morte.

Misure di salvaguardia elettrica:

- Questo apparecchio è conforme alle norme tecniche e ai requisiti di sicurezza per i dispositivi elettrici.
- Assicurarsi sempre che la presa elettrica utilizzata abbia la tensione corretta in base alla potenza di ingresso dell'apparecchio. Le prese devono inoltre essere adatte ad apparecchiature con un consumo di corrente di 2200 Watt.
- Assicurarsi che nessun altro apparecchio ad alta potenza sia collegato allo stesso circuito quando si utilizza la griglia.
- L'apparecchio deve essere collegato ad una presa con contatto di messa a terra.
- L'alimentazione elettrica deve essere fornita tramite un dispositivo di corrente residua (RCD) avente una corrente di funzionamento residua nominale non superiore a 30 mA.
- Non azionare l'unità se la spina è danneggiata.
- Il cavo di alimentazione deve essere controllato regolarmente per segni di danno e l'apparecchio non deve essere utilizzato se il cavo è danneggiato.
- Non utilizzare la griglia con un regolatore di temperatura che presenta un cavo o una spina danneggiati. Se il cavo di alimentazione è danneggiato, deve essere sostituito da un gruppo speciale disponibile presso Napoleon o un rivenditore autorizzato Napoleon.
- Se si utilizza un cavo di prolunga, deve essere progettato per uso esterno e valutato per la potenza di ingresso richiesta dall'apparecchio.
- Non collegare due o più cavi di prolunga insieme.

Operazioni di sicurezza:

- Collegare sempre il regolatore di temperatura alla griglia prima di collegare il cavo di alimentazione alla presa. Quando si rimuove il regolatore di temperatura dalla griglia, scollegarlo dapprima dalla presa.
- Il controllo del regolatore dalla manopola potrebbe provocare la disattivazione. Rimuovere il regolatore di temperatura bloccandolo sul lato.
- Se si verifica una scarica, non utilizzare acqua per spegnere il fuoco. Girare la griglia su OFF. Scollegare il cavo di alimentazione e attendere che la griglia si raffreddi.
- Tenere la spina e il cavo asciutti quando sono in uso. Non utilizzare la griglia elettrica sotto la pioggia.
- Utilizzare il grill solo su una superficie livellata e stabile.
- Non consentire al cavo di toccare la griglia quando è caldo.
- Il vassoio raccogli grasso deve essere sempre in posizione durante il funzionamento della griglia.
- Non spostare la griglia mentre è in uso.
- Non lasciare la griglia incustodita ogni volta che si utilizza.
- Tenere i bambini piccoli, gli anziani e gli animali domestici lontani mentre la griglia è in uso. I bambini non devono giocare con l'apparecchio.
- Questo apparecchio può essere utilizzato da bambini di età superiore ai 8 anni e persone con ridotte capacità fisiche, sensoriali o mentali o mancanza di esperienza e conoscenza se sono stati sottoposti a supervisione o istruzioni sull'uso dell'apparecchio in modo sicuro e comprendere i rischi coinvolti.
- I bambini devono essere sottoposti a supervisione in caso di pulizia e manutenzione della griglia.
- Non utilizzare griglie vicino a materiali combustibili come il legno, l'erba secca, i cespugli, ecc.
- Non consentire al grill di entrare in contatto con materiali infiammabili quali carta, pareti, drappi, asciugamani, prodotti chimici, ecc.
- Non utilizzare la griglia in aree affollate. Utilizzare il cavo di alimentazione lontano dalle aree affollate.
- Per proteggere il barbecue, non utilizzare la griglia entro 3 m / 10 piedi da piscina, stagno o altro corpo d'acqua.
- Non utilizzare come riscaldatore.
- Lasciare raffreddare l'apparecchio prima di spostarla o di conservarla.

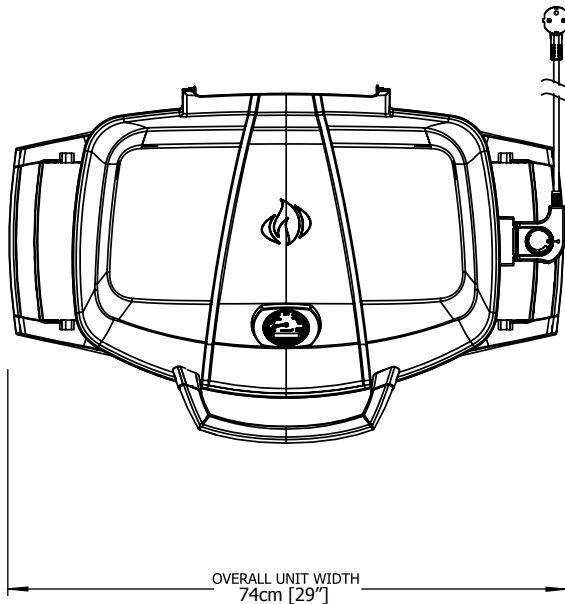
Pulizia:

- Pulire regolarmente la vasca raccogli grasso.
- Durante la pulizia non immergere i componenti elettrici in acqua.
- Per proteggersi da scosse elettriche, non immergere il connettore, il cavo o il regolatore di temperatura in acqua o in qualsiasi liquido.

Custodia:

- Scollegare la griglia quando non è in uso e tenere la spina e il cavo asciutti.
- Non lasciare il regolatore di temperatura in posizione ON durante periodi di non utilizzo.
- Quando non è in uso, conservare sempre il regolatore di temperatura all'interno.
- Durante lunghi periodi di non utilizzo, rimuovere il regolatore di temperatura dalla griglia.

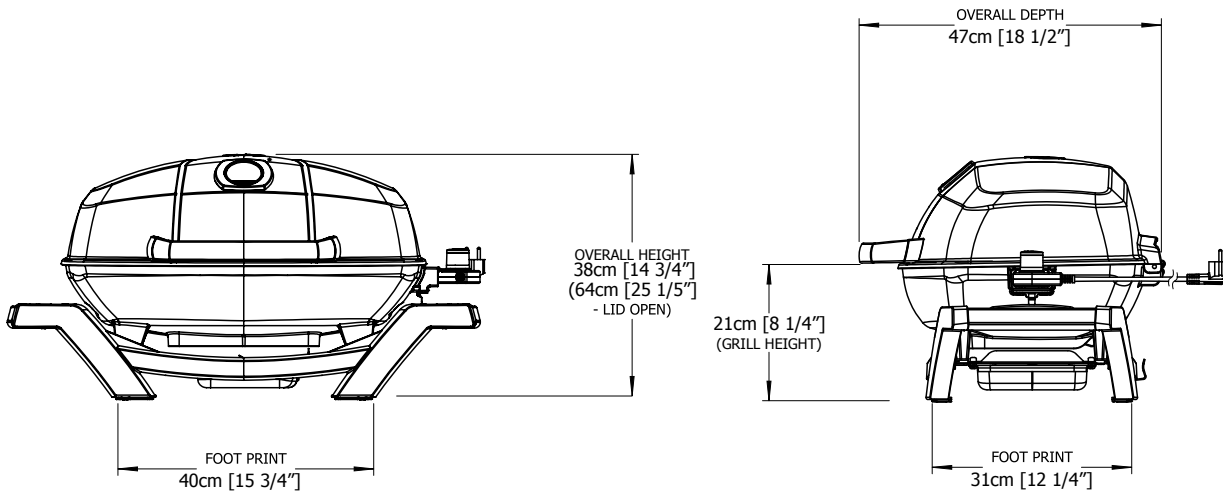
DIMENSIONI



PRO285E GRILL

GRILL SIZE: 37cm X 54cm (IRREGULAR) = 1840 cm² (14 1/2" X 21 1/4" (IRREGULAR) = 285 in²)

ALL DIMENSIONS ARE APPROXIMATE



IT



ATTENZIONE! Durante il disimballaggio e l'assemblaggio, si raccomanda di indossare guanti da lavoro e occhiali di protezione. Nonostante siano state prese tutte le misure necessarie per rendere il processo di assemblaggio il più semplice e sicuro possibile, le parti fabbricate in acciaio hanno tipicamente bordi e angoli affilati che potrebbero causare tagli se maneggiate in modo errato durante il montaggio.

Corretto smaltimento del prodotto

Questo simbolo indica che il prodotto non deve essere smaltito come un qualsiasi rifiuto domestico, in nessun paese dell'Unione Europea. Per evitare possibili danni all'ambiente o alla salute umana causati da uno smaltimento non controllato, si prega di riciclare il prodotto in modo da incoraggiare il riutilizzo sostenibile di risorse materiali. Per restituire l'apparecchio usato, utilizzare i sistemi di restituzione e raccolta oppure contattare la rivendita dove il prodotto è stato originariamente acquistato. Il rivenditore si occuperà di smaltire il prodotto in maniera sicura per l'ambiente.

Istruzioni Per La Cottura



ATTENZIONE! Non utilizzare questa griglia sotto i tendoni. La mancata osservanza di queste istruzioni può causare incendi o lesioni personali.



PERICOLO! Non mettete via la griglia subito dopo l'uso. Lasciate raffreddare il grill al tatto prima di spostarlo o immagazzinarlo. In caso contrario si potrebbe causare un incendio causando danni materiali, lesioni personali o la morte.

Quando acceso per la prima volta, la griglia emette un leggero odore. Questa è una condizione temporanea normale causata dalla combustione di vernici e lubrificanti interni utilizzati nel processo di fabbricazione e non si ripeterà più. Semplicemente posizionare la sonda di temperatura in alto con il coperchio aperto per circa ½ ora. Quando si cucinano carni magre, come i petti di pollo o il maiale magro, le griglie possono essere oleate prima del preriscaldamento per ridurre l'attacco. La cottura di carne con un elevato grado di contenuto di grassi può creare fiammate. Eliminare un po' di grassi o ridurre le temperature per evitare le fiammate.

Tabella di cottura

Preriscaldare su HIGH per 15-20 minuti con un coperchio chiuso, quindi impostare la temperatura desiderata. Questa è una linea guida per la cottura in temperatura esterna di 22 ° C.

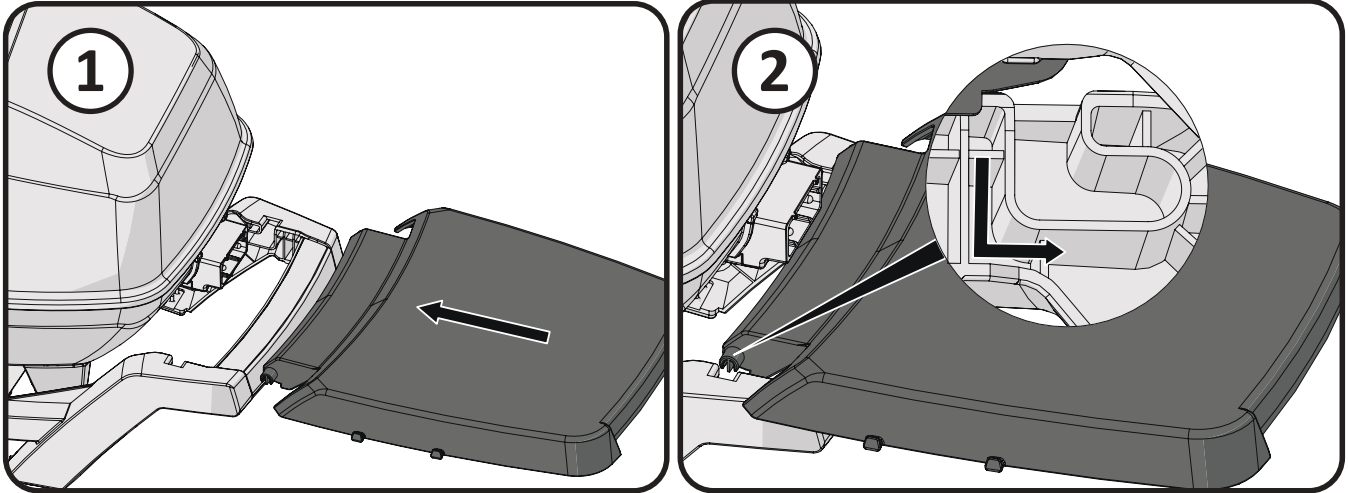
Per personalizzare la cottura, provate l'affumicatore Napoleon come accessorio opzionale con legno di mesquite o quercia.

Cibo	Impostazione di controllo	Tempo di cottura	Informazioni utili
Bistecca 2.54 cm (1 in.) spessore	Temperatura alta 2 min. ogni lato Temperatura alta 2 min. ogni lato poi temperature media Temperatura alta 2 min. ogni lato poi temperature media	4 min. – Sangue 6 min. – Media 8 min. – Ben cotta	Quando si seleziona la carne per la griglia, verificare la marezatura. Il grasso aiuta la carne a rimanere morbida durante la cottura e la mantiene umida e succosa.
Hamburger 1.27 cm (1/2 in.) spessore	Temperatura alta 2 min. ogni lato Temperatura alta 2 min. e mezzo ogni lato Temperatura alta 3 min. ogni lato	4 min. – Sangue 5 min. – Media 6 min. – Ben cotta	Preparare gli hamburger è più facile variando lo spessore degli stessi.
Pezzi di pollo	Temperatura alta 2 min. ogni lato poi da medio-bassa a bassa	20-25 min.	Il giunto che collega la coscia e la gamba dal lato senza pelle dovrebbe essere tagliato 3/4 in modo da essere più aperta e sottile. Questo la aiuta a cuocere più velocemente e in modo più uniforme.
Braciola	Media	6 min per lato	Togliere il grasso in eccesso prima di grigliare. Scegli i tagli più spessi per ottenere risultati più teneri.
Costine	Temperatura alta per 5 min Bassa fino alla fine	20 min per lato Girare spesso	Scegli le costine che sono magre e carnose. Grigliate fino a quando la carne si allontana facilmente dall'osso.
Costine di agnello	Temperatura alta per 5 min media fino alla fine	15 min per lato	Tagliare il grasso in eccesso prima di grigliare. Scegli i tagli di spessore extra per risultati più teneri.
Hot dogs	Medio –basso	4-6 min.	Seleziona i wurstel più grandi. Incidere la pelle in senso longitudinale prima della grigliatura.

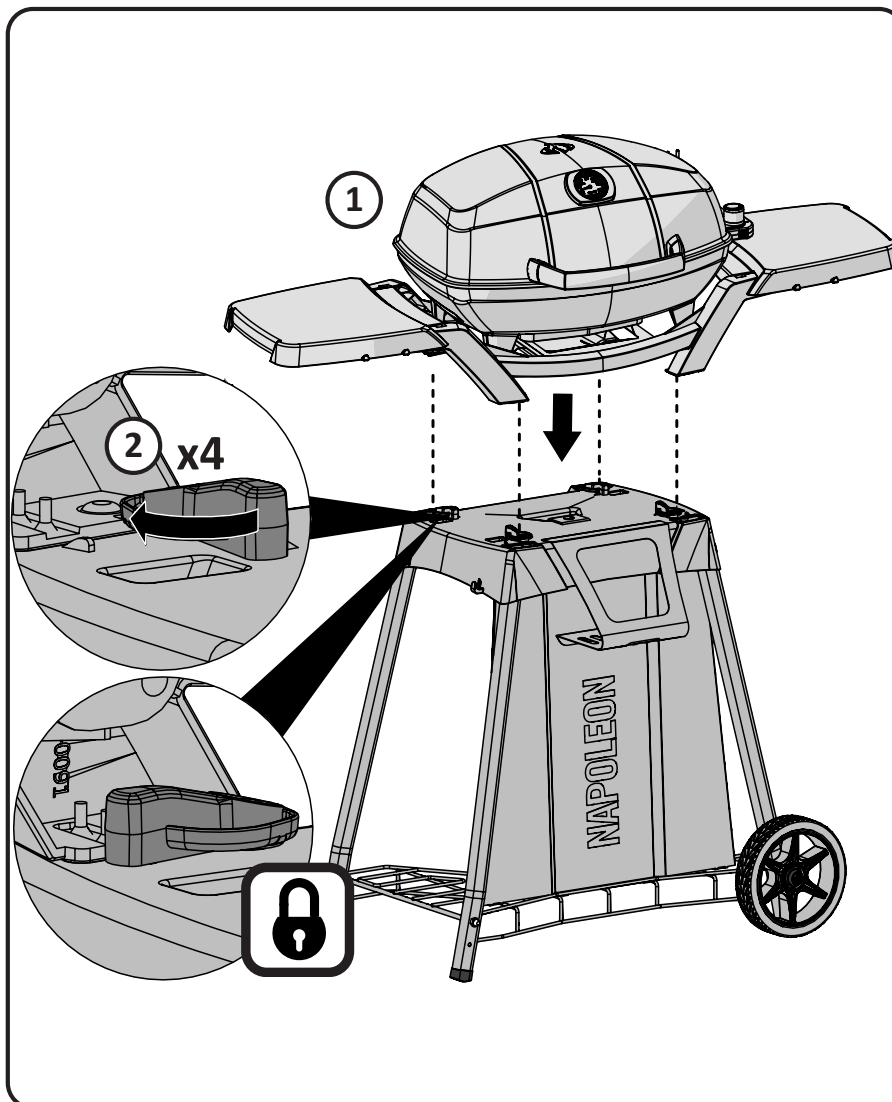
Troubleshooting

Problem	Possible Causes	Solution
No heat	Thermostat turned off. No power. Faulty thermostat or grill plate.	Turn thermostat to maximum setting. Ensure thermostat is fully seated in grill plate and properly plugged into outlet. Try another outlet. Check for tripped circuit breaker. Reset. Turn thermostat to maximum setting. Pre-heat grill with lid closed for 15-20 minutes. Replace thermostat or grill plate.
Low heat.	Improper preheating Excessive buildup in base of grill.	Preheat 15-20 minutes. Increase thermostat setting. Clean out excessive debris in base.
Excessive flare-ups/ uneven heat.	Excessive fat in meat. Excessive cooking temperature. Grease buildup.	Trim fat from meat before grilling. Adjust temperature as needed. Clean grill.
Circuit breaker trips or fuse blows.	Power surge Another appliance plugged into same circuit as grill. Moisture or water in thermostat or electrical connections.	Turn controller to OFF position before plugging into electrical outlet. Do not use other electrical appliances on same circuit. Keep thermostat and electrical components dry.

PINAO OPZIONALE



SUPPORTO OPZIONALE



Istruzioni Per La Pulizia



AVVERTIMENTO! Indossare sempre guanti protettivi e occhiali di protezione durante la manutenzione del grill.

ATTENZIONE! Per evitare la possibilità di ustioni, la manutenzione deve essere effettuata solo quando la griglia è fredda. Evitare il contatto non protetto con superfici calde. Accertarsi che la griglia sia spenta. Pulire la griglia in una zona in cui le soluzioni di pulizia non danneggiano piani, prati o patii. Non utilizzare il detergente per pulire qualsiasi parte di questa griglia. Non utilizzare un forno autopulente per pulire le griglie di cottura o altre parti della griglia. La salsa barbecue e il sale possono essere corrosivi e provocano un rapido deterioramento dei componenti del grill a meno che non siano puliti regolarmente.

Griglie di cottura in ghisa: Le griglie di cottura in ghisa fornite con la nuova griglia offrono una maggiore conservazione e distribuzione del calore. Trattando regolarmente le griglie aggiungete un rivestimento protettivo che aiuterà a resistere alla corrosione e ad aumentare la capacità di antiaderenza.

Primo utilizzo: Lavare le griglie di ghisa a mano con sapone delicato e acqua per rimuovere eventuali residui dal processo di fabbricazione (non lavare mai in una lavastoviglie). Sciacquare accuratamente con acqua calda e asciugare completamente con un panno morbido. Ciò è importante per evitare che l'umidità entri nella ghisa. Quando acceso per la prima volta, la griglia emette un leggero odore.

Trattamento: Usando un panno morbido, diffondere l'OLIO VEGETALE IDROGENATO su tutta la superficie della griglia garantendo che tutte le scanalature e gli angoli siano coperti. Non utilizzare grassi salati come il burro o la margarina. Preriscaldare la griglia per 15 minuti, quindi posizionare le griglie trattate nel grill. Ruotare le manopole del bruciatore sulla posizione media con il coperchio chiuso. Lasciare riscaldare le griglie di cottura per circa una mezz'ora. Ruotare il regolatore su OFF e lasciare che le griglie di cottura si raffreddino. Questa procedura deve essere ripetuta più volte durante tutta la stagione, anche se non è necessaria per l'uso quotidiano (seguire la procedura di utilizzo quotidiana di seguito).

Uso quotidiano: Prima di preriscaldare e pulire con una spazzola di filo di ottone, rivestire l'intera superficie superiore delle griglie di cottura con l'olio vegetale idrogenato. Pre-riscaldare la griglia e poi spazzolare via qualsiasi residuo indesiderato con una spazzola in ottone.

Pulizia all'interno della griglia: Rimuovere le griglie di cottura. Utilizzare una spazzola con fili di ottone morbido per pulire i detriti sciolti dalle parti del coperchio. Spazzolare tutti i detriti dall'interno della griglia nella vaschetta di raccolta rimovibile. Rimuovere il rivestimento di base (raccogliore del grasso). Non utilizzare detergenti abrasivi per pulire il rivestimento base della porcellana. Per rimuovere le macchie ostinate, immergere nell'acqua saponata per allentare la sporcizia. Pulire con un detergente non abrasivo e asciugare con un panno pulito. Assicurarsi che la piastra grill sia posizionata correttamente quando viene reinstallata.

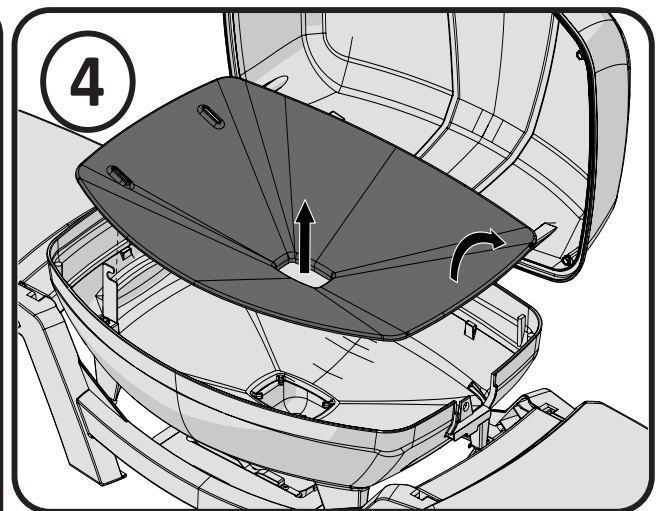
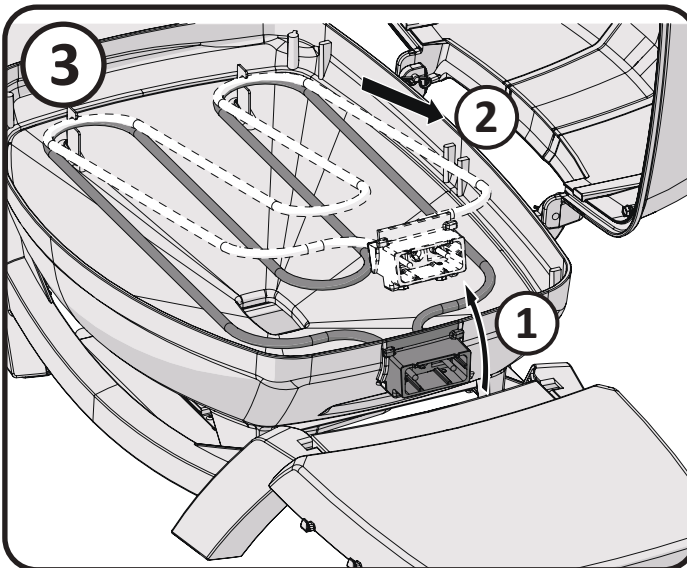
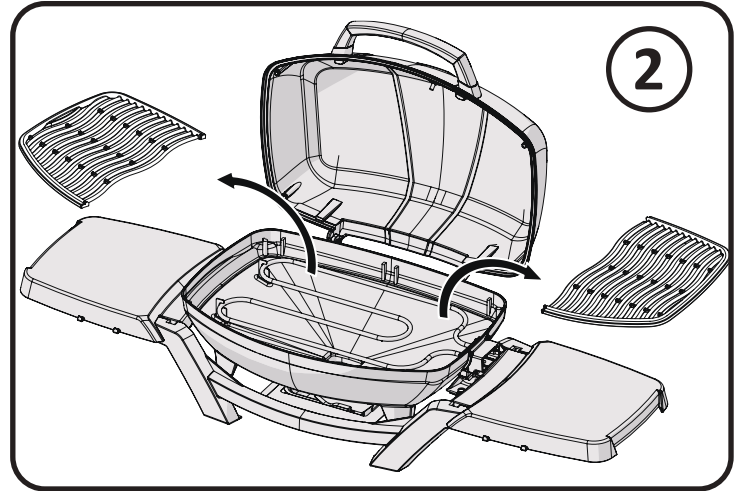
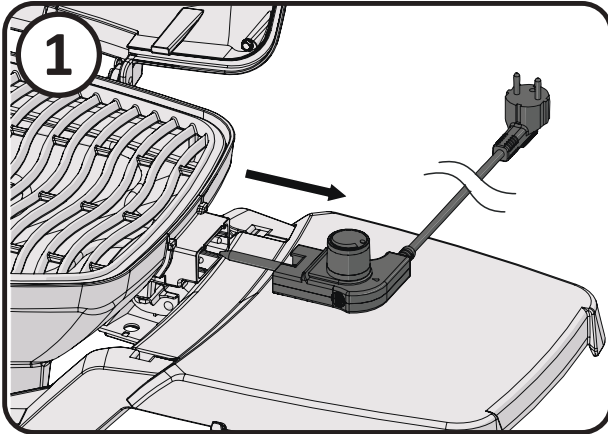
Vasca raccogli grasso: Far scivolare la vaschetta per una facile pulizia. Deve essere pulito frequentemente (ogni 4-5 impieghi) per evitare l'accumulo di grasso. Il grasso e gli eccessi di gocciolamento si accumulano nella gocciolata posta sotto la griglia. Il grasso accumulato può causare un pericolo di incendio. Non coprire la vaschetta di gocciolamento con il foglio di alluminio, poiché può impedire la corretta quantità di aria necessaria per il funzionamento del bruciatore. La vaschetta deve essere raschiata con un coltello o un raschietto.

Pulizia dell'esterno della griglia: Non utilizzare detergenti abrasivi per pulire le parti verniciate. Per proteggere la finitura dello smalto, utilizzare un detergente delicato con panno morbido o pennello per asciugare e rimuovere eventuali residui acidi.

Passaggi per la pulizia

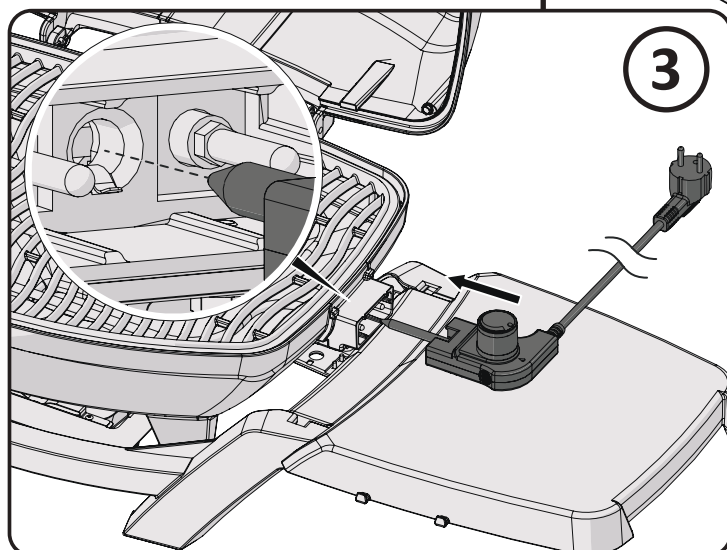
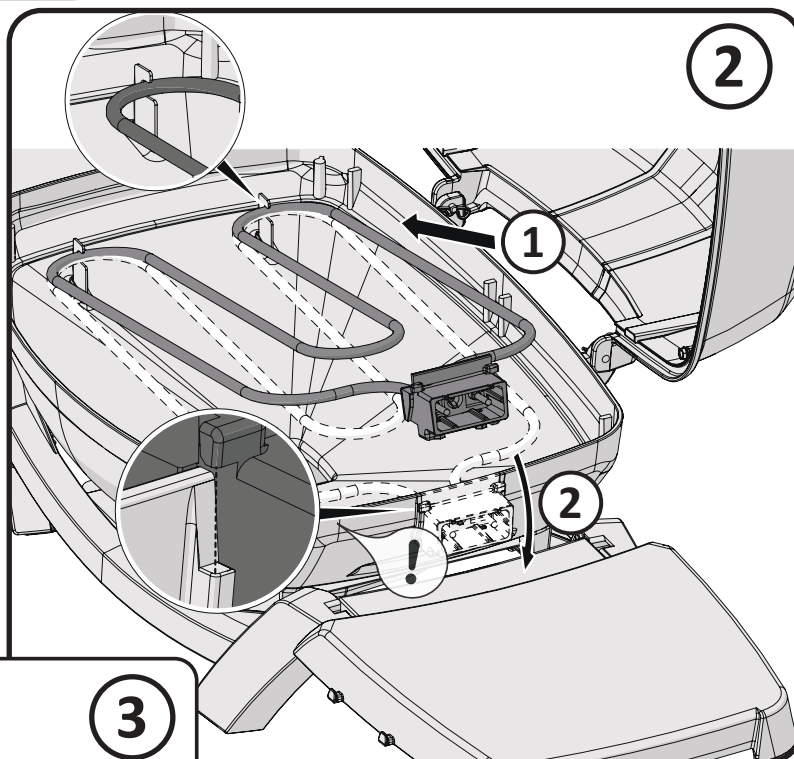
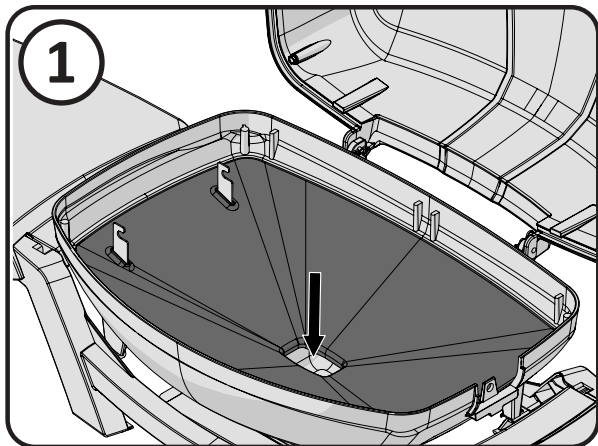
Smontaggio

1. Staccare la presa dal muro e rimuovere il termostato
2. Togliere le griglie
3. Sollevare l'elemento riscaldante dalla griglia
4. Togliere la vasca raccogli grasso



Montaggio

1. Reinserire la vasca raccogli grasso
2. Posizionare le estremità curve dell'elemento riscaldante nelle sue clip di supporto. Inserire l'elemento riscaldante in posizione.
3. Rimettere il termostato e le griglie di cottura



IT

PER CONVALIDARE LA GARANZIA È NECESSARIO CONSERVARE LA RICEVUTA COME PROVA D'ACQUISTO

Come Ordinare Parti Di Ricambio

Informazioni Sulla Garanzia

MODELLO: _____

DATA DI ACQUISTO: _____

NUMERO DI SERIE: _____

(Per comodità, annotare qui le informazioni)

Per pezzi di ricambio e richieste di garanzia contattate direttamente il vostro rivenditore locale (fate riferimento alla lista dei rivenditori che trovate insieme al vostro barbecue).

Prima di contattare il rivenditore Napoleon, visitate il sito www.napoleon.com per maggiori informazioni sulla pulizia, la manutenzione, la risoluzione dei problemi e le istruzioni su come richiedere parti di ricambio.

Al fine di migliorare il servizio, prima di contattare il rivenditore, accertatevi di avere a disposizione le seguenti informazioni:

1. Modello e numero di serie dell'unità.
2. Codice e descrizione del ricambio richiesto.
3. Una breve descrizione del problema ('rotto' non è sufficiente).
4. Prova di acquisto (fotocopia della fattura o dello scontrino).

In ogni caso la garanzia Napoleon non copre i seguenti costi:

- costi di trasporto, intermediazione o dazi di esportazione
- costo della manodopera per disinstallazione e reinstallazione
- costo delle chiamate di servizio per l'individuazione dei problemi
- discolorazione delle parti in acciaio inossidabile
- mancato funzionamento della parte dovuto a mancanza di pulizia o manutenzione, o uso di detersivi inadatti (detersivi per forno)

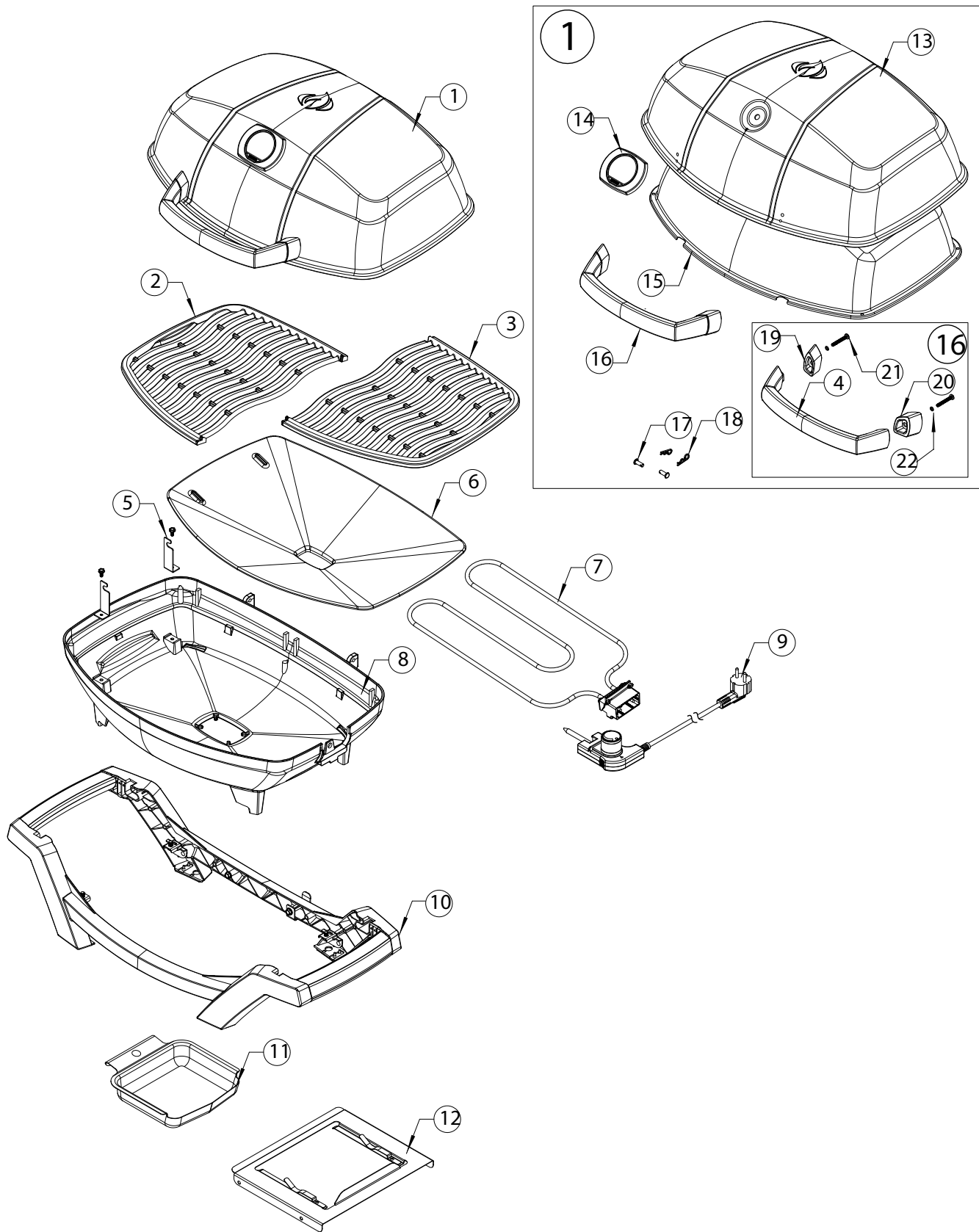
PRO285E Parts List

ITEM	PART NUMBER	DESCRIPTION	PRO285E
1	N010-1008-SER	PRO285-LID ASSY	x
2	Z305-0012-BK2FL	NGZ GRID, COOKING CAST LEFT (285)	x
3	Z305-0013-BK2FL	NGZ GRID, COOKING CAST RIGHT (285)	x
4	N325-0083	NGZ, HANDLE LID (PRO285)	x
5	N370-0861-SER	KIT, BRACKET FRONT/REAR ELEMENT	x
6	Z585-0015	NGZ, BASE LINER, PORCELAIN COATING (PRO285E)	x
7	Z010-0048	NGZ, ELEMENT (PRO285E)	x
8	Z135-0003-BK1HT	NGZ, CASTING BASE BLACK (PRO285E)	x
9	Z690-0001	NGZ, THERMOSTAT ASSY (PRO285E)	x
	Z690-0002	THERMOSTAT, PRO285E GB	x
10	N010-1009-SER	ASSY, CRADLE (PRO285E)	x
	N075-0091	NGZ, LEG CRADLE FRONT/BACK (PRO285)	x
	N075-0091-EQ	NGZ, LEG CRADLE FRONT WITH EQ ARTWORK	x
11	N710-0079	NGZ, PAN DRIP (285/285X)	x
12	N010-0830	ASSY, DRIP PAN PLATE (PRO285)	x
13	N135-0048-BK1HG	CASTING, LID PRO285	x
14	N685-0023	TEMP GAUGE, PRO285	x
15	Z585-0014	NGZ, LID HEAT SHIELD (PRO285E)	x
16	N010-1010-SER	ASSY, LID HANDLE (PRO285E)	x
17	N485-0023	NGZ PIN, CLEVIS 6MM X16MM (PRO285)	x
18	N485-0021	NGZ PIN, HAIRPIN COTTER 2MM X 28MM (285)	x
19	N655-0179	NGZ, SUPPORT, LID HANDLE LEFT	x
20	N655-0180	NGZ, SUPPORT, LID HANDLE RIGHT	x
21	Z570-0029	SCREW, 10-24 35 MM STN STL PAN HEAD	x
22	Z735-0009	NGZ, WASHER, LOCK-SPLIT STN STL M5	x
	PRO285-STAND	OPTIONAL CART AND SHELVES FOR PRO285	ac
	62006	replacement grease tray	ac

x - standard	ac – accessory
x - compris	ac - accessoires
x - Standaard	ac -accessorie
x - Standard	ac -Zubehör
x - standard	ac - tilbehør
x - Standard	ac - Tilbehør
x – standard	ac – tarvikkeet
x – standard	ac – tillbehör
x - standard	ac – accessorie



PRO285E Parts Diagram

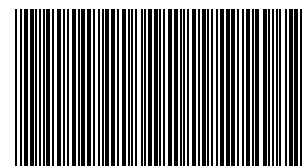








Napoleon products are protected by one or more U.S. and Canadian and/or foreign patents or patents pending.



N415-0478W