

Making British gardens great

Thank you for purchasing your shed from Forest Garden. No matter what size garden, a shed is the most practical of garden structures. Simply follow these step by step instructions and our top tips and you'll be enjoying your shed for many years to come. If you have any questions or need advice, our friendly team is here to help.

LOG STORE INSTRUCTIONS

LOG STORE (8x6) (10x8)

These instructions are for the installation of the Log Store. Please use these in conjunction with the other set of instructions supplied.

BEFORE YOU START

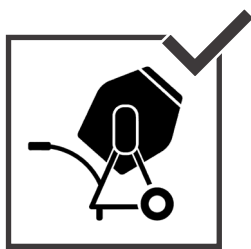
Please read through these instructions to familiarise yourself with your shed. We recommend that you **check all the components** using the lists found on the front and back pages before you start to build.

All of our sheds are constructed in the same way. They simply come with different components depending on the type of shed you have. Don't worry if your fixing pack contains some spare items at the end of the build (you haven't missed a bit!) we have sent you a generic fixing pack to suit the shed range.

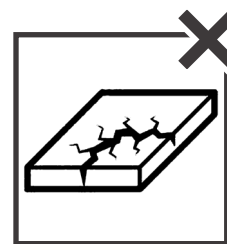
Please take care when unpacking, handling and assembling the toughened safety glass windows. We recommend wearing cut-resistant gloves in the event of a breakage, as it will disintegrate into small pieces.

BASE PREPARATION

It's vital that you build your new shed on a **solid, level base**. Timber or Plastic Shed Bases are ideal, as is solid concrete or concrete slabs.



Concrete
Concrete surface/
Concrete slabs



Broken Slabs/Gaps
Uneven slab sizes
with no cement



Soil
A base of soil
only

If you have an existing base and think it's suitable for your new shed to be sited on, it is important you check that it is level and doesn't deviate by any more than 15mm from edge to edge. If this isn't the case the building will twist, causing gaps to appear in the sections and the roof, doors and windows to misalign.

There's more information on base preparation on our website www.forestgarden.co.uk

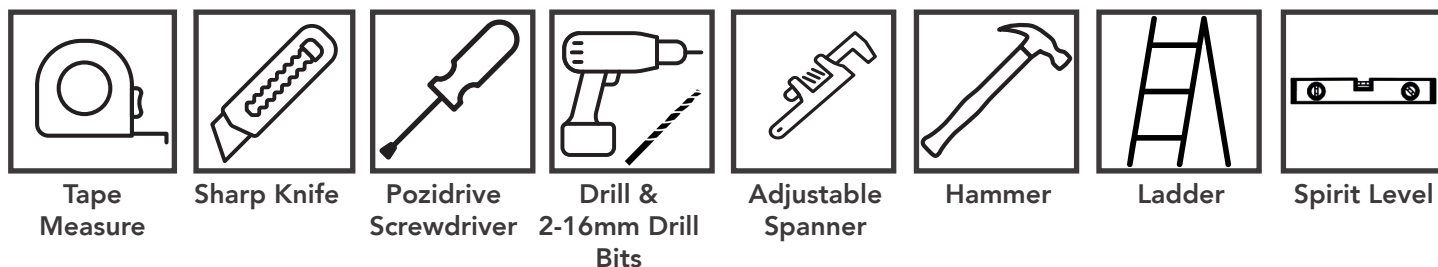
Missing something or need more information?

Call our after sales team on
0333 321 3142

Visit our website for spare instructions and more information

www.forestgarden.co.uk

We recommend using the following tools (not supplied):



Assembly is relatively straightforward if you follow these step by step instructions. We recommend getting everything aligned properly before screwing together and that **Screw holes should be pre-drilled** to avoid splitting the timber.

IMPORTANT
Assembly requires 2+ adults.

REMINDER
Always pre-drill before screwing.

PLEASE KEEP PLASTIC BAGS AND SMALL PARTS AWAY FROM CHILDREN

CARE & ATTENTION

To help you get the most out of our products it's useful to know a little more about the properties of timber, what's normal and how your shed may behave as the seasons change. Wood is an extremely durable material for construction but as a natural product when used outdoors it is susceptible to changes in the environment.

THINGS THAT YOU MIGHT SEE IN YOUR PRODUCT



MOVEMENT, TWISTING & WARPING

Wood contains a natural level of moisture so decreasing humidity levels in the surrounding air may cause panels to change their shape as the porous fibres shrink. This can be exaggerated during prolonged periods of dry weather. Movement and gaps in timber products are normal, in most cases the wood will revert to its original form once the high temperatures subside and there is more moisture content in the air. Similarly, in the winter months, the opposite may occur with wood swelling.



EXPANSION, CONTRACTION, SPLITS & CRACKS

All timber will expand and contract according to its environment. As a result of this expansion and contraction, it is very common to see splits and cracks developing in the wood. Splits are common during the spring and summer months as the wood begins to dry out. The outer surface dries first and contracts, contracting over a still expanded core of the wood. The result of this is that splits and cracks appear along the grain of wood. These splits are not a fault and do not affect the structural integrity of a product.



MOULD & BLUE STAIN

Mould is a surface-dwelling fungus that feeds on the nutrients and debris contained in the surface cells of timber. The most common problems associated with mould are discoloured timber and an increase in permeability of the timber. Blue stain is part of the same family but penetrates deeper into the surface layers of the timber. It stains the timber a dark blue, whereas mould is usually black. These do not cause the timber to rot. Keep the building well ventilated to avoid mould.

Treat your building annually, we advise the application of a high quality preservative that contains a mildewcide. For more information on the conditions of our guarantee see forestgarden.co.uk.

ADVICE ON FELT HANDLING & USAGE

Roofing felt is flexible at temperatures above 5°C. In cold temperatures extra care must be taken when handling and installing to prevent cracking and damage to the felt. The felt should not be rolled, folded or used in temperatures lower than 5° C. In cold temperatures the felt should be stored above 10°C (indoors) for 24 hours prior to use. Felt must be lifted, not dragged and should be stored on its end on a dry surface.

THE ROOF OF THIS BUILDING IS NOT A LOAD BEARING STRUCTURE

- 1 MAKE SURE YOU POSITION YOUR SHED IN THE BEST LOCATION IN YOUR GARDEN**
Avoid areas where water pools and is constantly wet. Position away from trees and cut back any overhanging foliage which can cause moisture to be trapped against shed walls and debris to collect on the roof.
- 2 RAISE YOUR SHED OFF THE GROUND**
Ideally any concrete base should be the same footprint as the shed to allow surface water to run off without pooling, a timber shed base can also be used. Raise 50mm above ground level.
- 3 SEAL THE BASE**
We recommend a treatment containing wax or oil, paint the bearers that come into contact with the ground to prevent moisture coming up.
- 4 USE AN END-GRAIN PROTECTOR**
To protect the corners and panel joins, an end grain treatment can be applied.
- 5 SEAL THE PANELS & WINDOWS**
Use a flexible silicone sealant around windows to prevent water ingress. This can also be used where 2 sections of the shed joint together. Apply internally.
- 6 CONSIDER ADDING GUTTERS**
Adding guttering around the fascia of the shed will redirect rain water away from the shed's foundation.
- 7 KEEP VENTILATED**
Good airflow around the perimeter of the shed and regular ventilation inside the shed will help prevent mould and mildew.
- 8 CONSIDER A WEATHERPROOFING STAIN OR CLEAR TREATMENT**
We recommend you paint your garden shed with a weatherproofing treatment at least once a year. This will help maintain the wood, stabilise timber movement and help prolong the life of your shed.

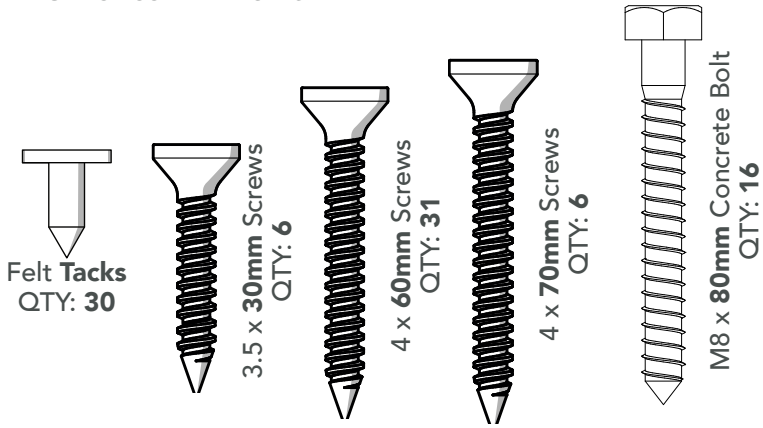
HEALTH & SAFETY

We strongly recommend that PPE (Personal Protective Equipment) is used throughout your build to ensure you are protected from any potential health and safety risks. **Do not** exempt yourself from wearing PPE.

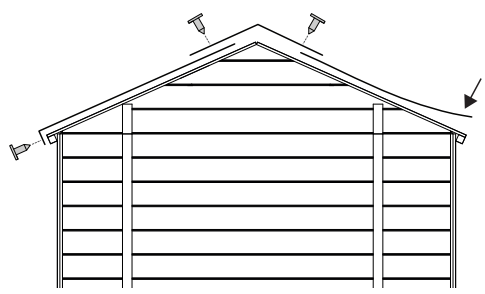


FIXING PACK CONTAINS:

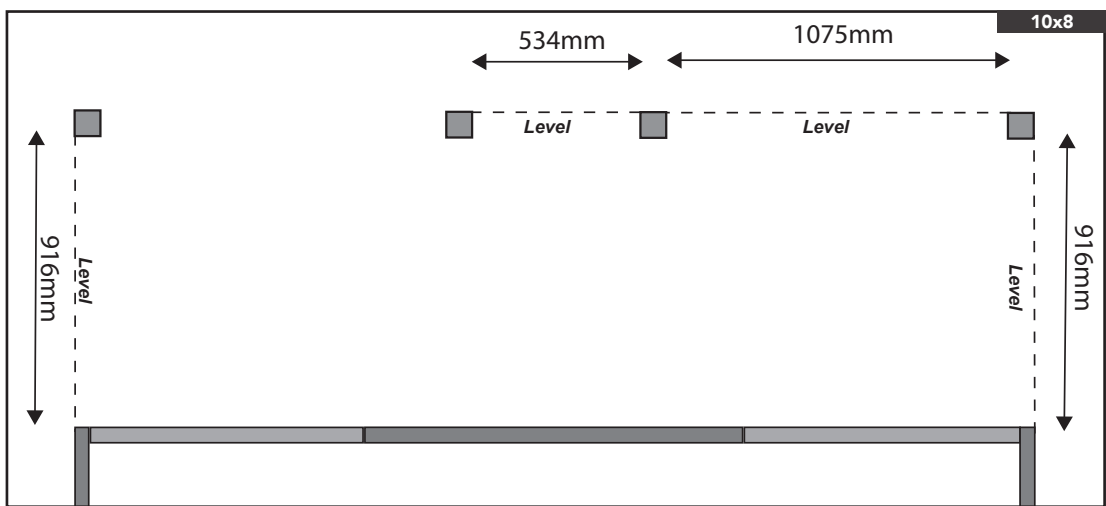
FIXING PACK CODE: *TPMODLSFP*



Don't fix the felt down on the Log Store side until the after you have assembled the Log Store.



4a POST BRACKET POSITIONS



Mark out the position of the Posts and then the position of the Post Brackets. Drill the pilot holes into the ground and secure the plates in place.

Take care when lining up the Post Brackets and measure from the fixed sides

For the 8x6 you will not need to put in the post at 534mm

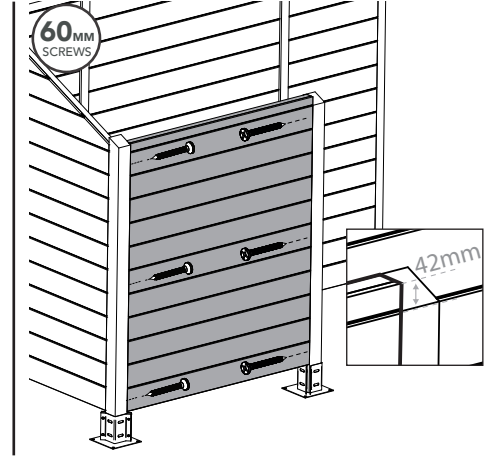
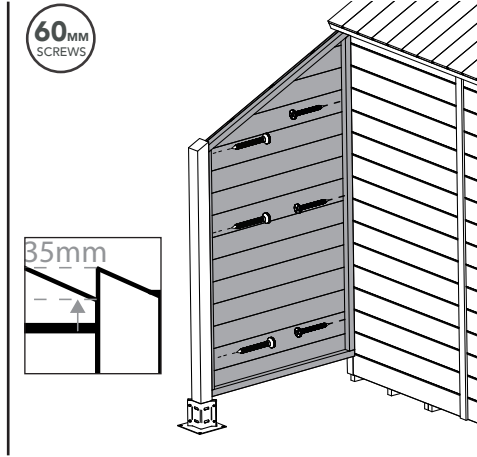
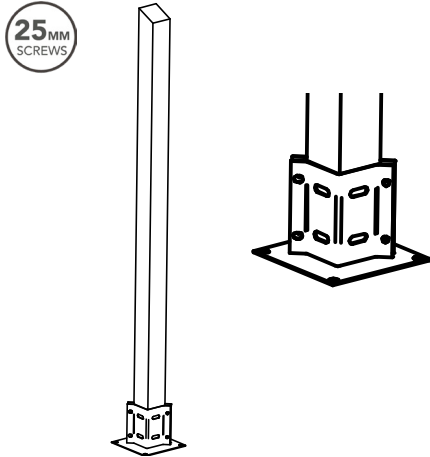
4b LOG STORE PANEL ASSEMBLY

PRE-DRILL WITH 2MM BIT FOR ALL STEPS BELOW.

Fix the posts into the Brackets.

Attach Back Panel and Post. Fix the panel to the side of the shed making sure that it is flush on the outside and tight under the roof. Attach the post to the panel so it too is flush on the outside.

Attach the Plain Panel. Fix the panel to the post so that it is in-line at the top and flush with the outside face. Attach the 1420mm Post to the Plain Panel.



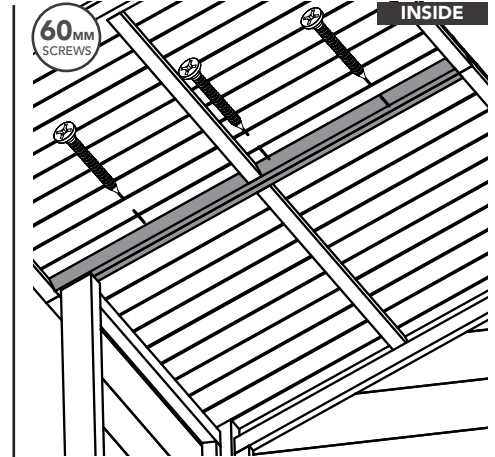
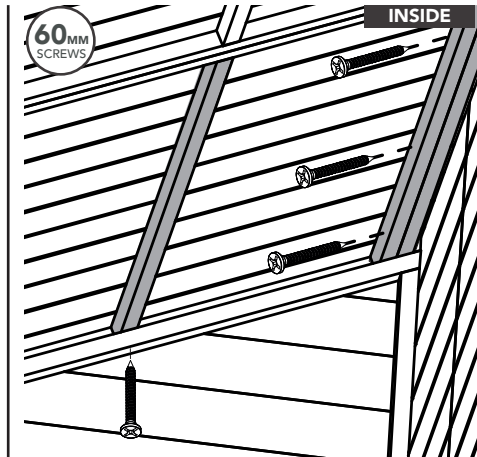
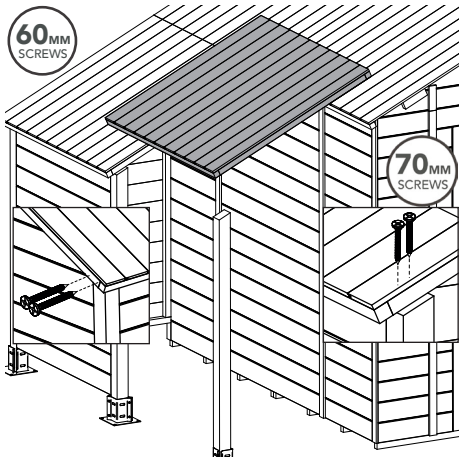
4c LOG STORE ROOF ASSEMBLY

Fix the Roof Panels to the Shed Roof and Posts. Position the Roof Panels on top of the panels and posts making sure that they are in line and flush with the Shed Roof Panels.

Secure the Log Store Roof to the Shed Roof

Secure the Log Store Roofs to each other.

PRE-DRILL WITH 2MM BIT FOR ALL STEPS BELOW.



4d FELT AND BARGE BOARDS

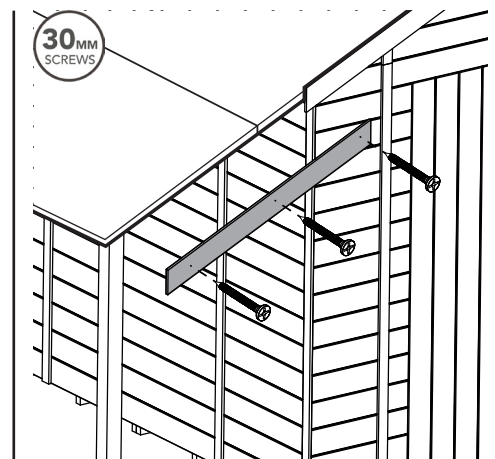
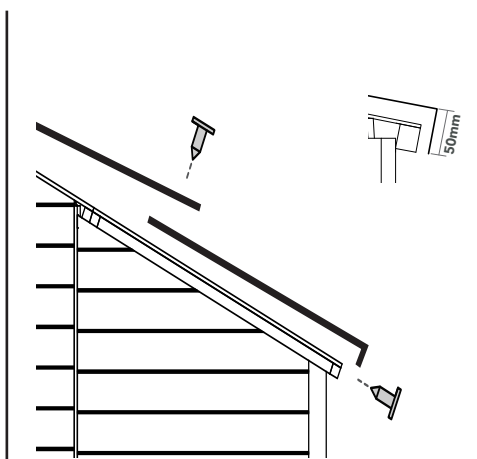
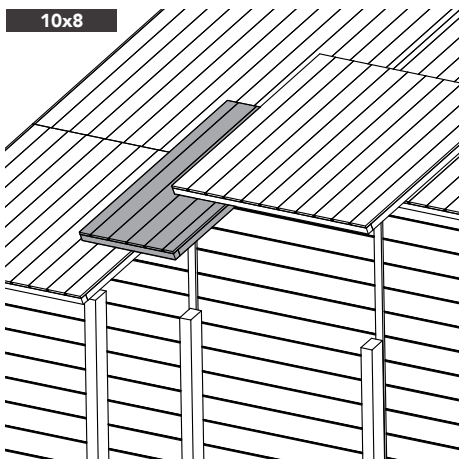
10x8 Log Store Roof Assembly. Place the 1420mm Post so that the Roof Sections will rest on it equally.

Tuck the felt underneath the piece you have left untacked so that there is a sufficient overlap. Fold at the corners. Tack to keep secure. Ensure 50mm of the felt covers the roof end battens. Tack from the bottom to the

PRE-DRILL WITH 2MM BIT FOR ALL STEPS BELOW.

Use with the Shed Instructions.

Place the Boards up against the front and back of the Log Store making sure that they are flush with the existing Boards on the Shed.

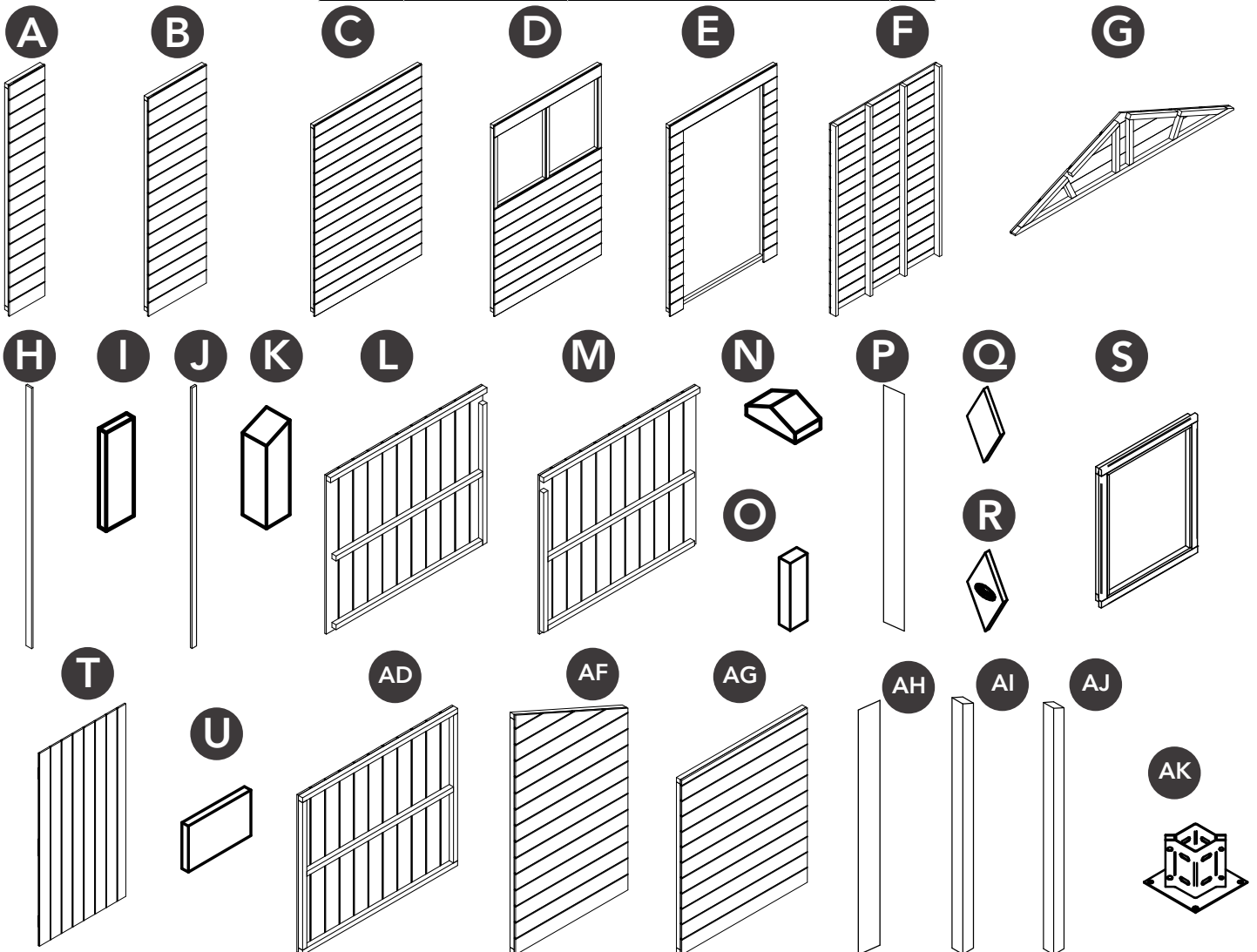


CHECK YOU HAVE ALL YOUR PARTS.

(The parts do not have codes on them. They are listed below should you need to order one.)

The components provided may be heavy. Please lift with caution and with a minimum of 2 people.

T&G Apex 8' x 6' With Log Store (TPA86MLS)			
Label	Part Code	Description	No.
A	TPMOD323	Section A - Plain Panel (323x1831mm)	4
B	TPMOD557	Section B - Plain Panel (557x1831mm)	4
C	TPMODPP1180	Section C - Plain Panel (1180x1831mm)	2
D	TPMODDW	Section C - Window Panel (1180x1831mm)	1
E	TPMODDP	Section D - Door Panel (1180x1831mm)	1
F	TPMOD86FL1180	Floor (1180x1826x70mm)	2
G	TPMODGAB1826	Apex Section (417x1826mm)	2
H	45121820PPT	Cover Strip (45x12x1820mm)	12
I	45120140PPT	Join Cover Strip (45x12x140mm)	4
J	33121631PPT	Door Weather Strip (33x12x1631mm)	2
K	45450155PAI24PT	Truss Support Block (45x45x155mm)	2
L	TPMOD86RHRF	Right Hand Roof Panel (1075x1224mm)	2
M	TPMOD86LHRF	Left Hand Roof Panel (1075x1224mm)	2
N	45450085PAI124PT	Truss Block (45x45x85mm)	1
O	45280150PPT	Apex Block (45x28x150mm)	8
P	95121125PAI124PT	Fascias (95x12x1125mm)	4
Q	FIN20010512PT	Finial (105x12x200mm)	1
R	FOTAGFIN	Finial With Badge (105x12x200mm)	1
S	TPASWIN	Window (558x695mm)	2
T	MTGSH86DR	Door (883x1705mm)	1
U	94140150PPT	Lock Block (94x14x150mm)	1
AD	TPMODLSRF1224	Log Store Roof (1075x1224mm)	2
AF	TPMODLSEND	Log Store End Panel (915x1692mm)	1
AG	TPMODLS1075	Log Store Panel (1075x1294mm)	1
AH	95121115PAI124PT	Fascia (95x12x1115mm)	2
AI	70701546AI24PT	Post (70x70x1546mm)	2
AJ	70701420AI24PT	Post (70x70x1420mm)	1
AK	FBEF65	Post Bracket	3
AC	Felt - Please contact our aftersales team with your product code if you are missing your felt.		1



T&G Apex 8' x 10' With Log Store (TPA810DDMLS)			
Label	Part Code	Description	No.
A	TPMOD328	Section A - Plain Panel (323x1831mm)	2
D	TPMODPP852	Section B - Plain Panel (557x1831mm)	4
F	TPMODPP1180	Section C - Plain Panel (1180x1831mm)	3
G	TPMODDW	Section C - Window Panel (1180x1831mm)	1
H	TPMODDDP	Section D - Door Panel (1180x1831mm)	1
I	TPMOD108FL1180	Floor (1180x70x2360mm)	2
J	TPMOD108FL590	Floor (590x70x2360mm)	1
K	TPMODGAB2360	Apex Section (538x2360mm)	2
L	45121820PPT	Cover Strip (45x12x1820mm)	11
M	45120140PPT	Join Cover Strip (45x12x140mm)	2
N	45120500PPT	Join Cover Strip (45x12x500mm)	1
O	33121631PPT	Door Weather Strip (33x12x1631mm)	2
P	45450155PAI24PT	Truss Support Block (45x45x155mm)	2
R	TPMOD108TRUSS	Truss (585X2294mm)	1
S	TPMOD108RHRF	Right Roof Panel (1372X1519mm)	2
T	TPMOD108LHRF	Leftt Roof Panel (1372x1519mm)	2
U	45280150PPT	Truss Support Block (45x28x150mm)	8
V	95121420PAI124PT	Fascia (95x12x1420mm)	4
W	FIN20010512PT	Finial (105x12x200mm)	1
X	FOTAGFIN	Finial With Badge (105x12x200mm)	1
Y	TPASWIN	Window (558x695mm)	2
Z	TPDR1705	Door (700x1705mm)	2
AA	33331626PPT	Slamming Strip (33x33x1626mm)	1
AB	94140150PPT	Lock Block (94x14x150mm)	1
AD	TPMODLSRF1224	Log Store Roof (1075x1224mm)	2
AE	TPMODLSRF590	Log Store Roof (590x1224mm)	1
AF	TPMODLSEND	Log Store End Panel (915x1692mm)	1
AG	TPMODLS1075	Log Store Panel (1075x1294mm)	1
AH	95121115PAI124PT	Fascia (95x12x1115mm)	2
AI	70701546AI24PT	Post (70x70x1546mm)	2
AJ	70701420AI24PT	Post (70x70x1420mm)	2
AK	FBEF65	Post Bracket	4
AC	Felt - Please contact our aftersales team with your product code if you are missing your felt.		

