

Removable Tray Aluminium Staging.
INSTRUCTIONS Please read ALL before you begin.

PLEASE CHECK ALL COMPONENTS AGAINST LIST.

BRACINGS, NUTS AND BOLTS ARE LOCATED INSIDE 2 OF YOUR INTERLOCKING TRAYS.



REQUIRED TOOLS.



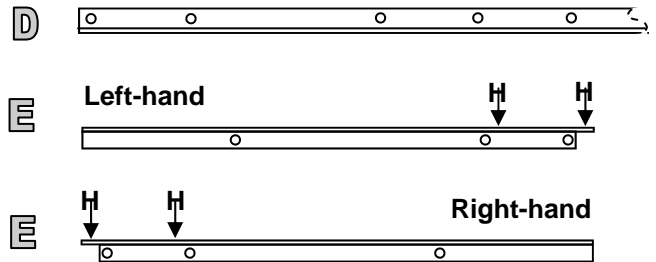
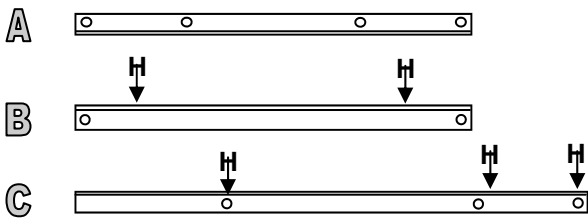
TOP & LOWER TIER TRAYS

Staging length (approx:)	2' - 0"			3' - 10"			5' - 8"			7' - 6"			9' 4"			11' - 2"		
Number of tiers.	1	2	3	1	2	3	1	2	3	1	2	3	1	2	3	1	2	3
Top tier beam A	2	2	2	3	3	3	4	4	4	5	5	5	6	6	6	7	7	7
Lower tier beam B	2	2	4	3	3	6	4	4	8	5	5	10	6	6	12	7	7	14
Corner legs C	4	4	4	4	4	4	4	4	4	4	4	4	4	4	4	4	4	4
Side rail D	2	4	6	2	4	6	2	4	6	2	4	6	2	4	6	2	4	6
Left-hand intermediate leg E	-	-	-	1	1	1	2	2	2	3	3	3	4	4	4	5	5	5
Right-hand intermediate leg E	-	-	-	1	1	1	2	2	2	3	3	3	4	4	4	5	5	5
Bracings	8	8	8	14	14	14	20	20	20	26	26	26	32	32	32	38	38	38

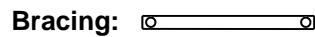
NOTE: The screw head bolts can be used in **either** direction. Having the nuts on the outside is the quicker option and gives the trays more space when inserted. However, having the nuts on the inside gives a neater finish and the trays have a snug fit.



SETUP. Separate your **components** into separate piles ready for assembly.

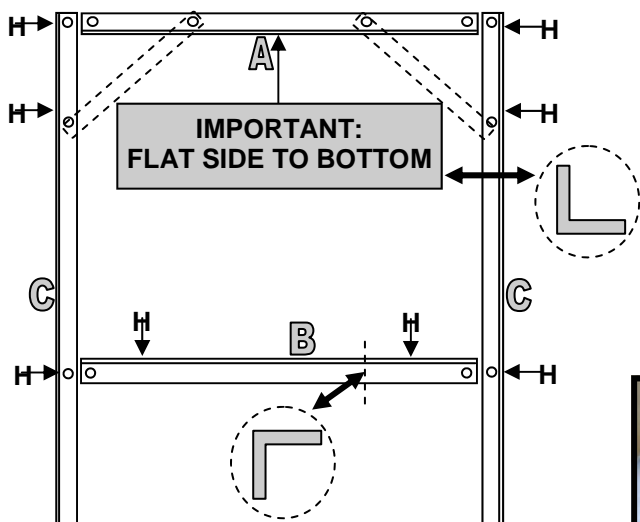


ASSEMBLY

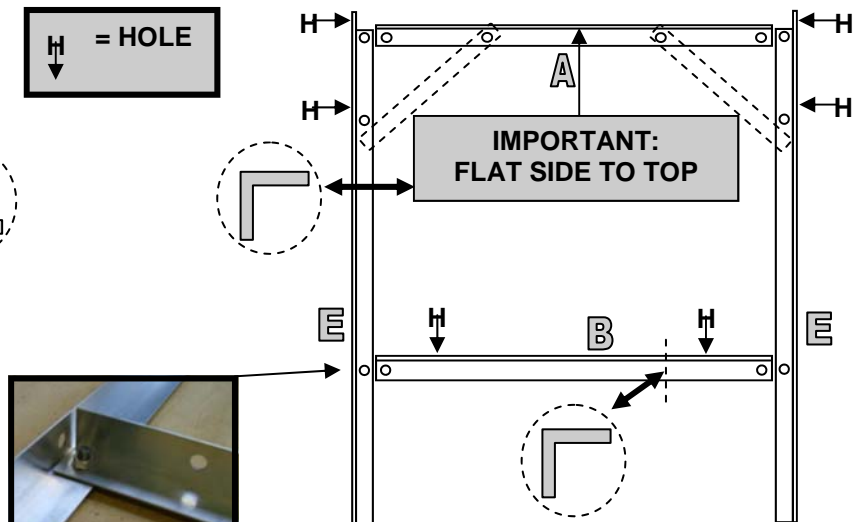


Assemble the **end** and **intermediate** upright sections using the component layout diagrams below, at this stage the screw head nuts and bolts should be **finger tight only**.

END FRAME

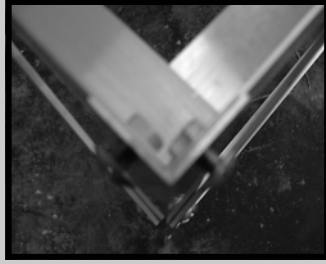


INTERMEDIATE FRAME

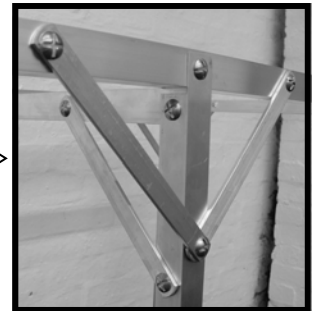


NOTE: 9' 4" Model shown in all of the pictures below.

- Join the end upright sections at the top using side rails 'E'.
- Add a bracing on each corner to add strength.



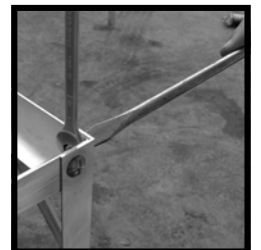
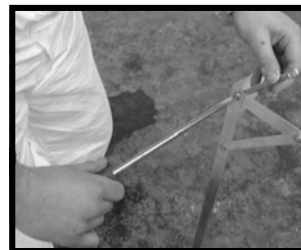
- Add intermediate sections and attach to rails using bracings.



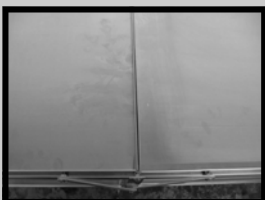
- For 2 or 3 tier units fix remaining rails 'D' onto the lower tier beams 'B'.



- **Square up** staging and **tighten** all nuts and bolts.



- Trays can be **inserted** either way up.



If you have any problems please do not hesitate to call us on
01623443331.
www.greenhousesrus.co.uk