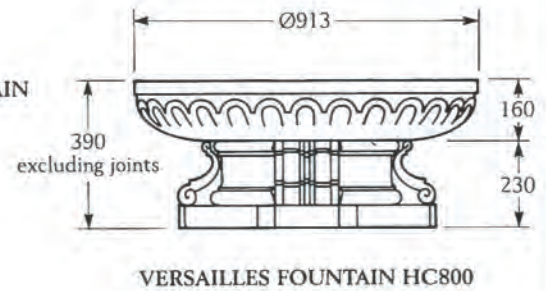
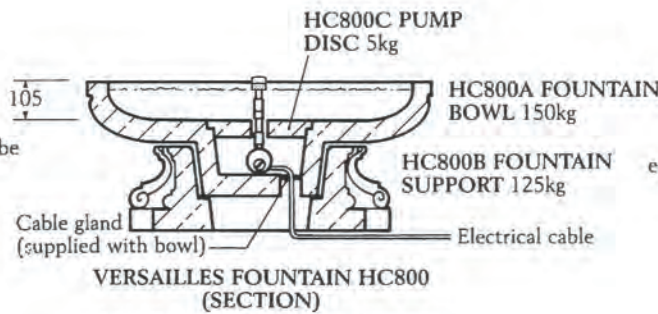
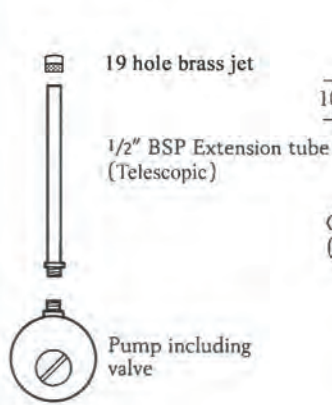
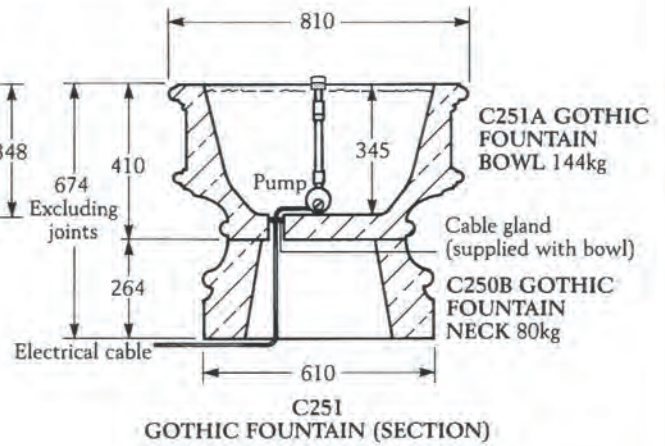
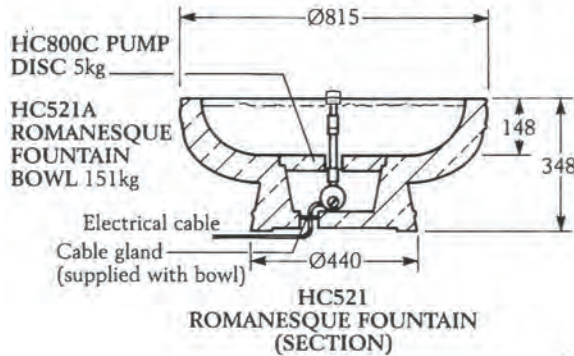
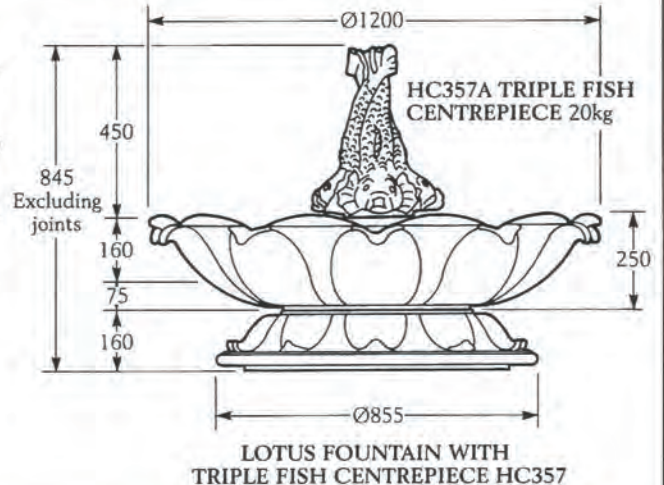
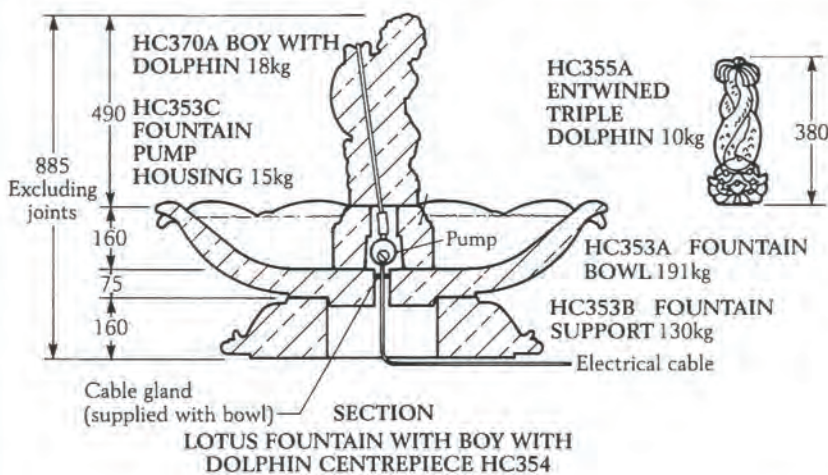


Haddonstone Ltd., The Forge House, East Haddon, Northampton NN6 8DB, UK. Tel: (01604) 770711, Fax: (01604) 770027

SELF-CIRCULATING FOUNTAINS WITH PLUMBING DETAILS



- PLUMBING COMPONENT LISTING:**
- Pump including valve x1
 - 1/2" BSP Connector x2
 - 19 hole brass jet x1



- PLUMBING COMPONENT LISTING:**
- Pump including valve x1
 - Clear 1/2" PVC pipe to be cut on site

Consult a qualified electrician to ensure electrical supply conforms with all regulations/codes.

It is essential that the fountain is sited on a firm and level area. Foundations to suit site conditions and loadings (to be designed by others).

A 8:1 sand/cement bedding mortar should be used to ensure that the weight of the fountain is evenly spread to avoid any pivoting or twisting strain.

Allow 6mm for bedding joints.

SCALE: 1:20

CABLE GLAND - Remove brass plug and thread electrical cable through before positioning the gland in the hole. Tighten bolts until gland is water tight.

To guard against frost damage, drain off the water before winter and do not replace it until the hard frosts are past in the following spring.