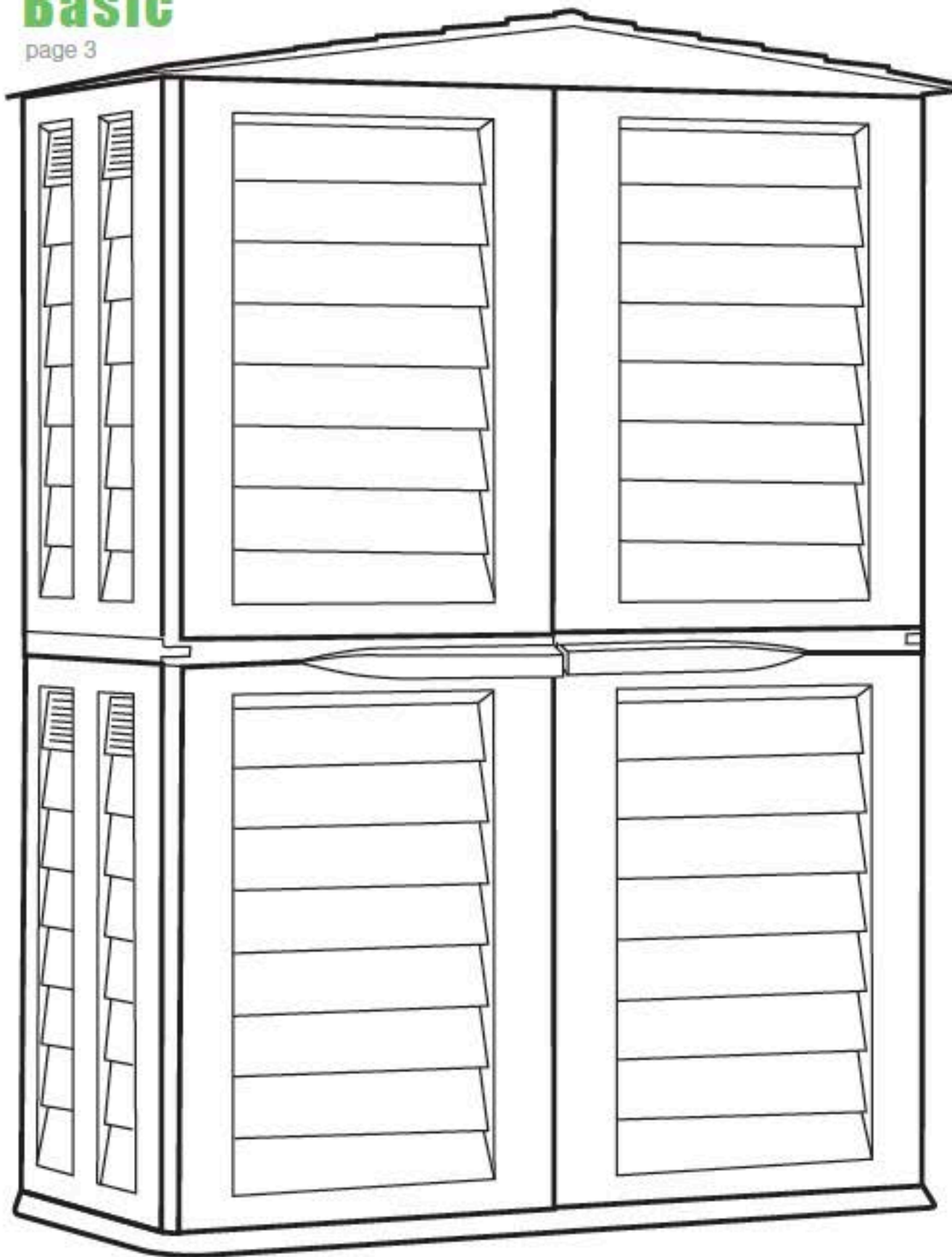


Tall Garden Shed

with **Add-On** system

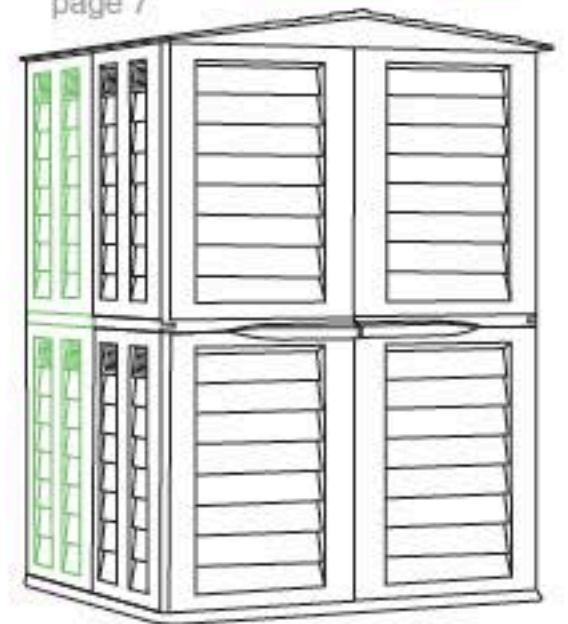
Basic

page 3



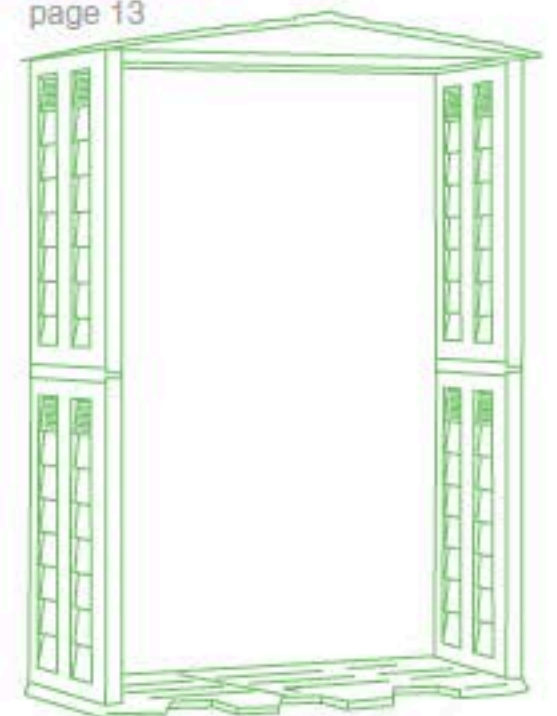
with Add-On

page 7



Add-On to basic

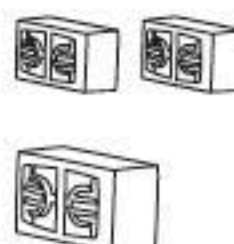
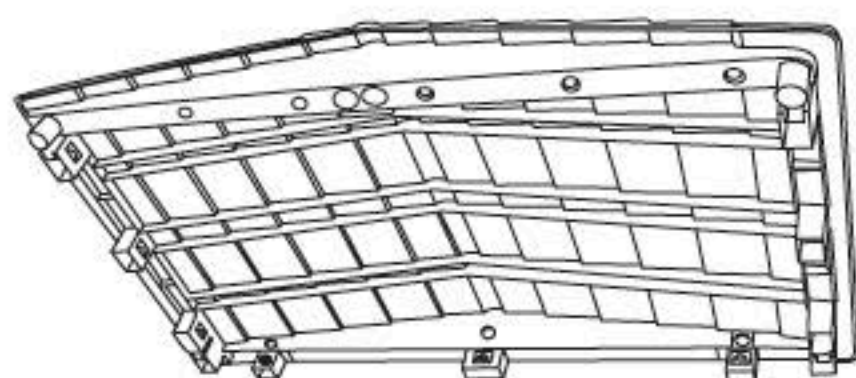
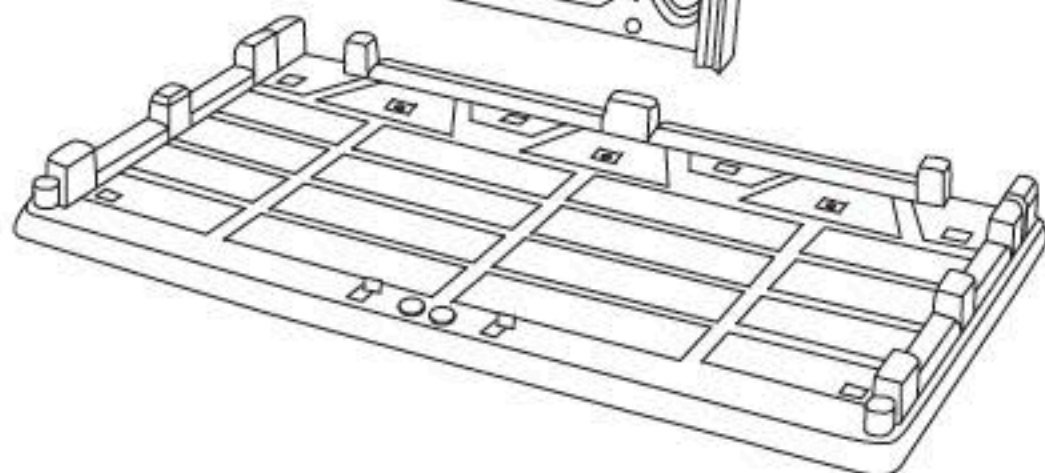
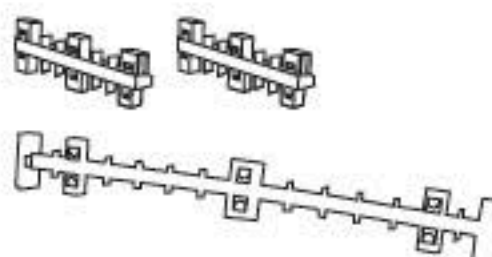
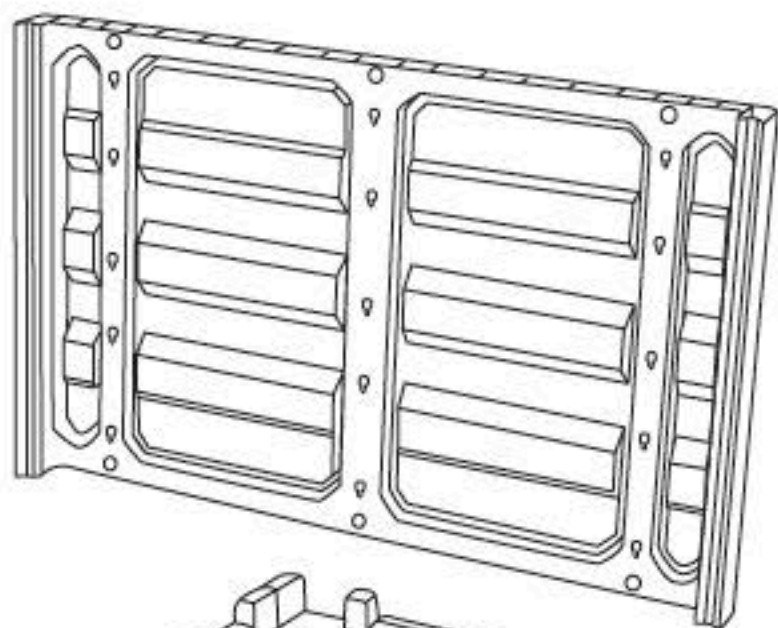
page 13



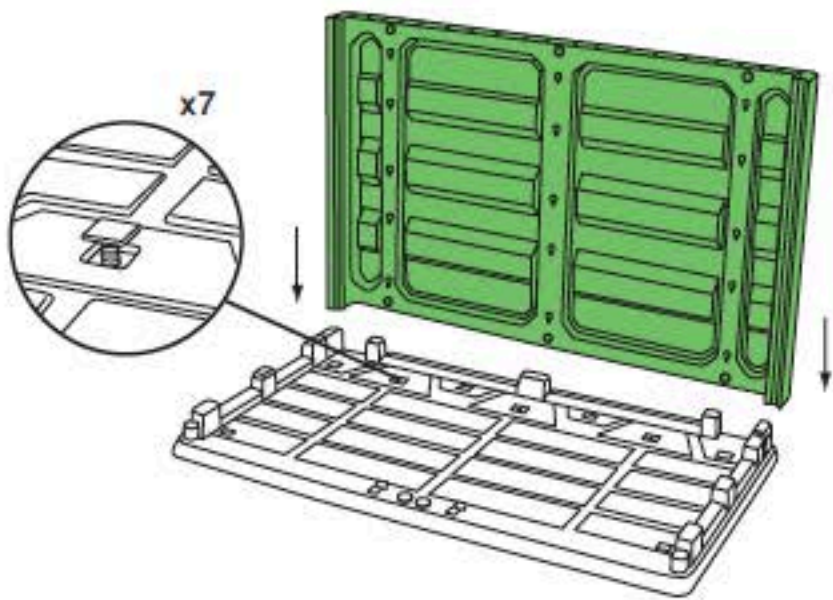
Tall Garden Shed basic



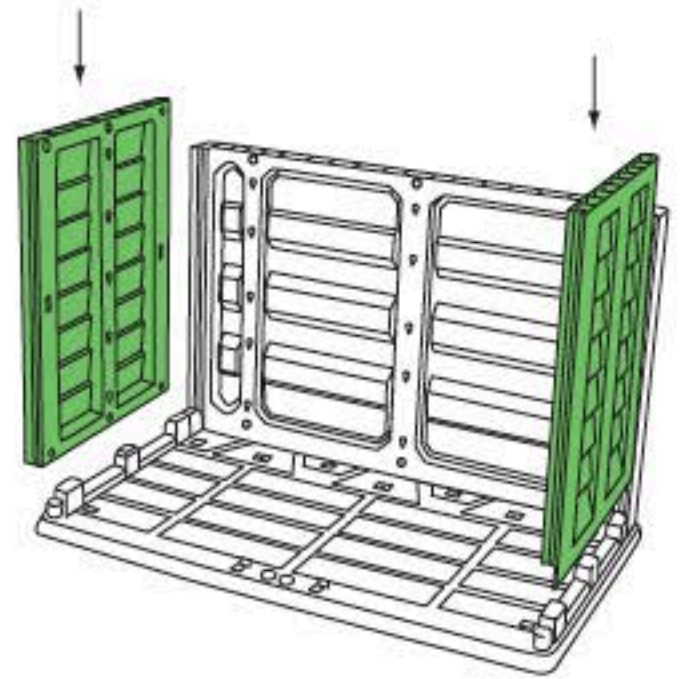
parts:



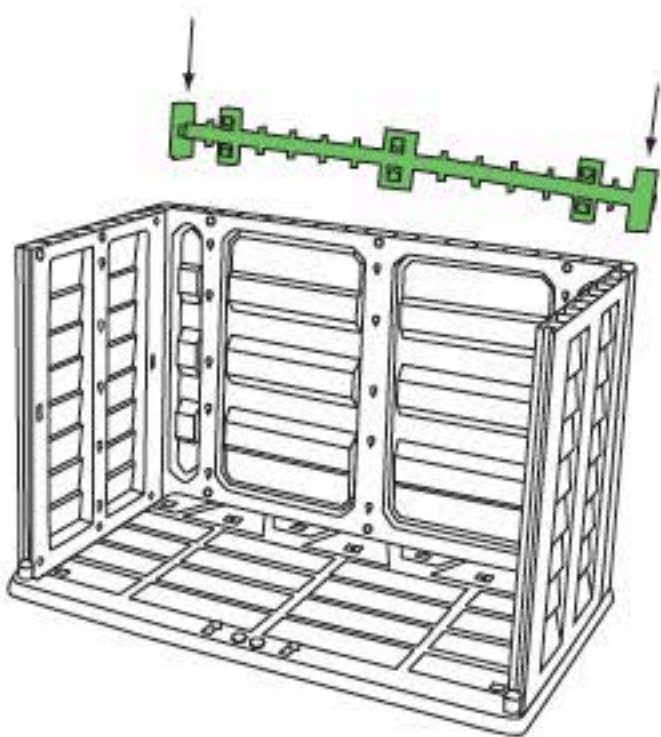
1



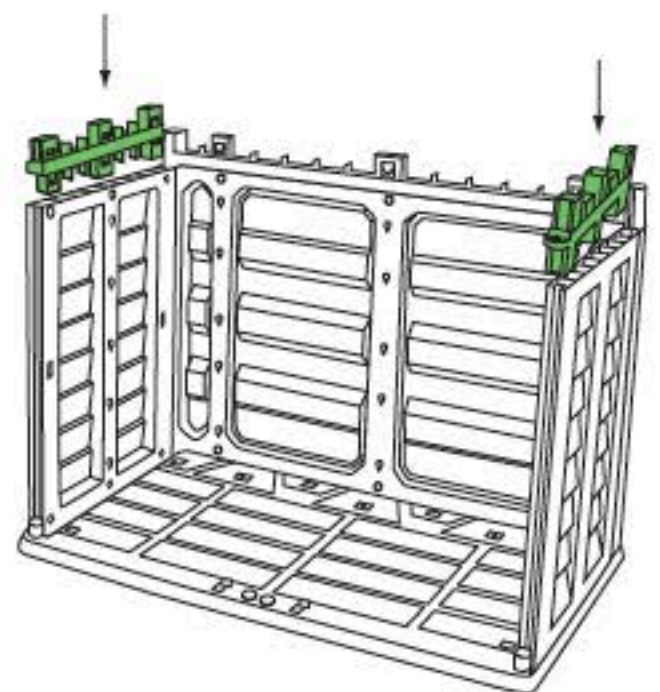
2



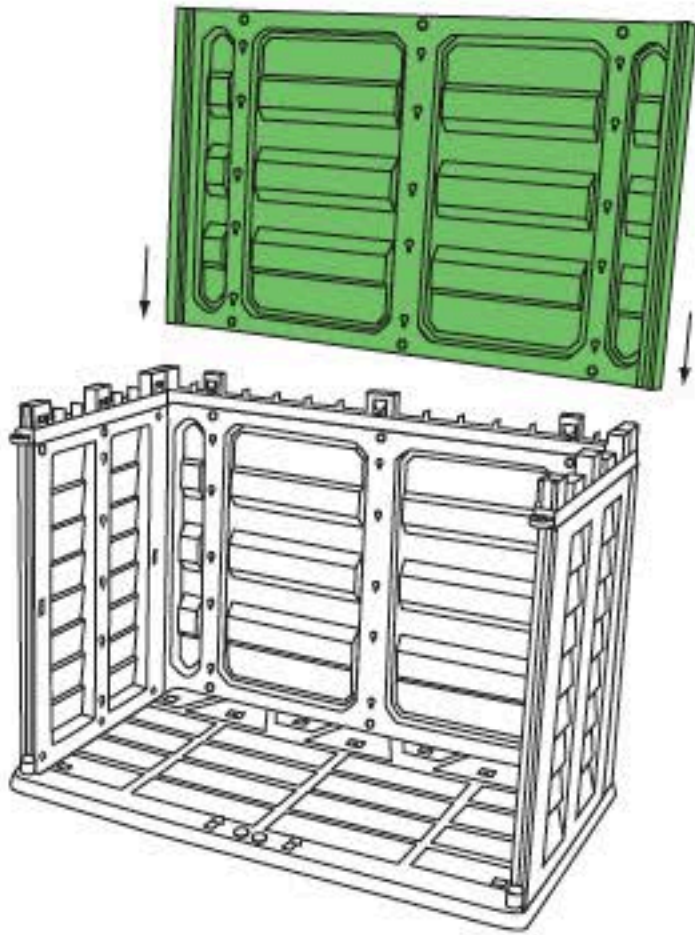
3



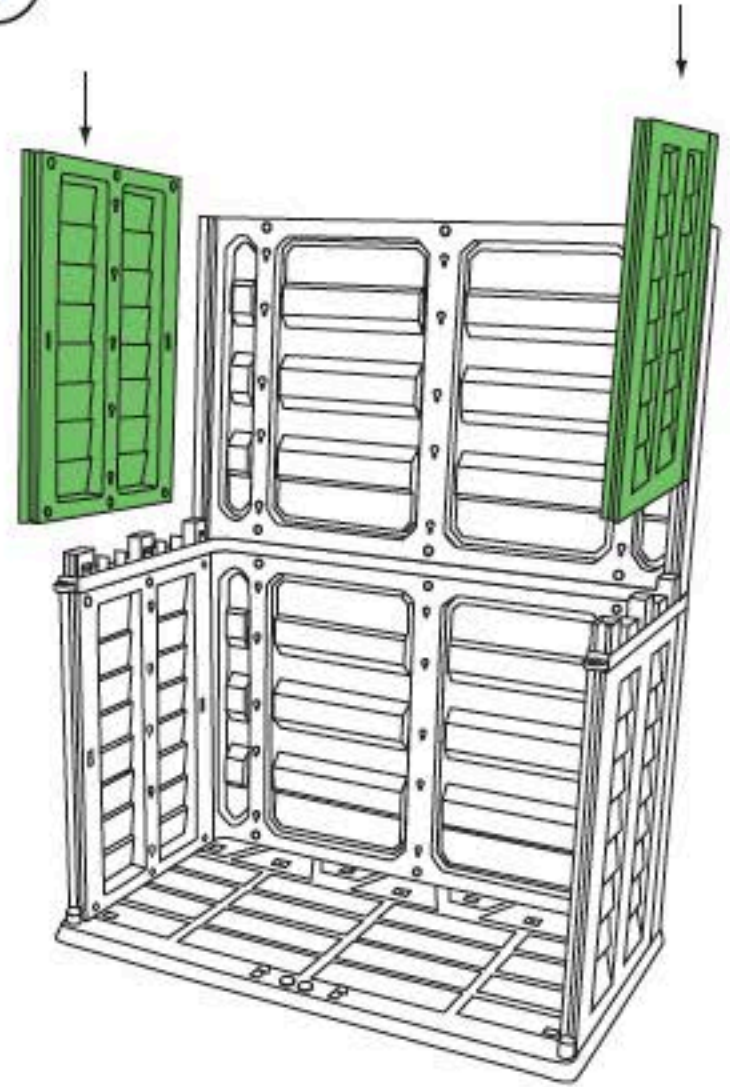
4



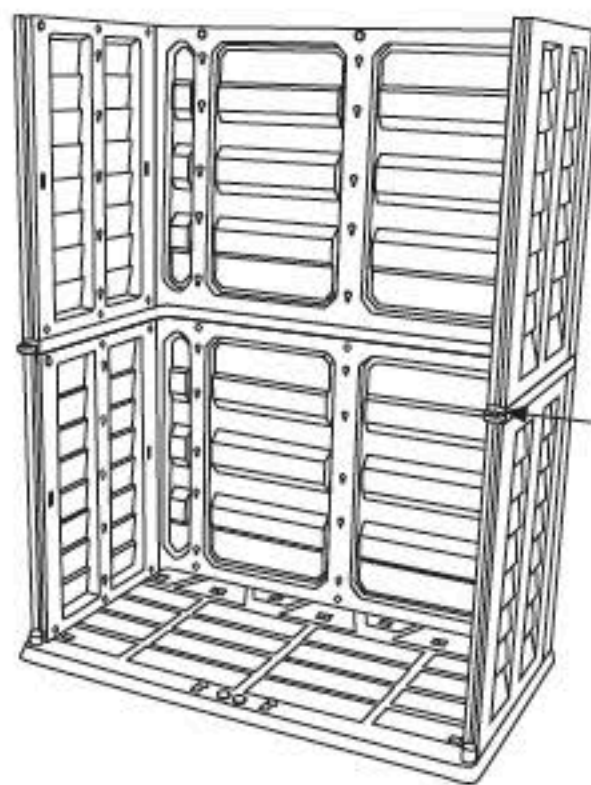
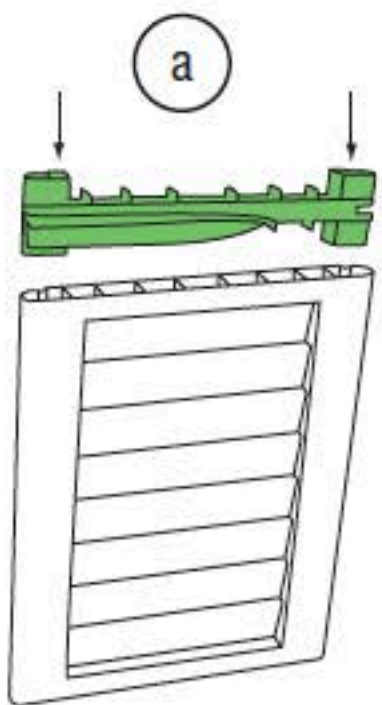
5



6

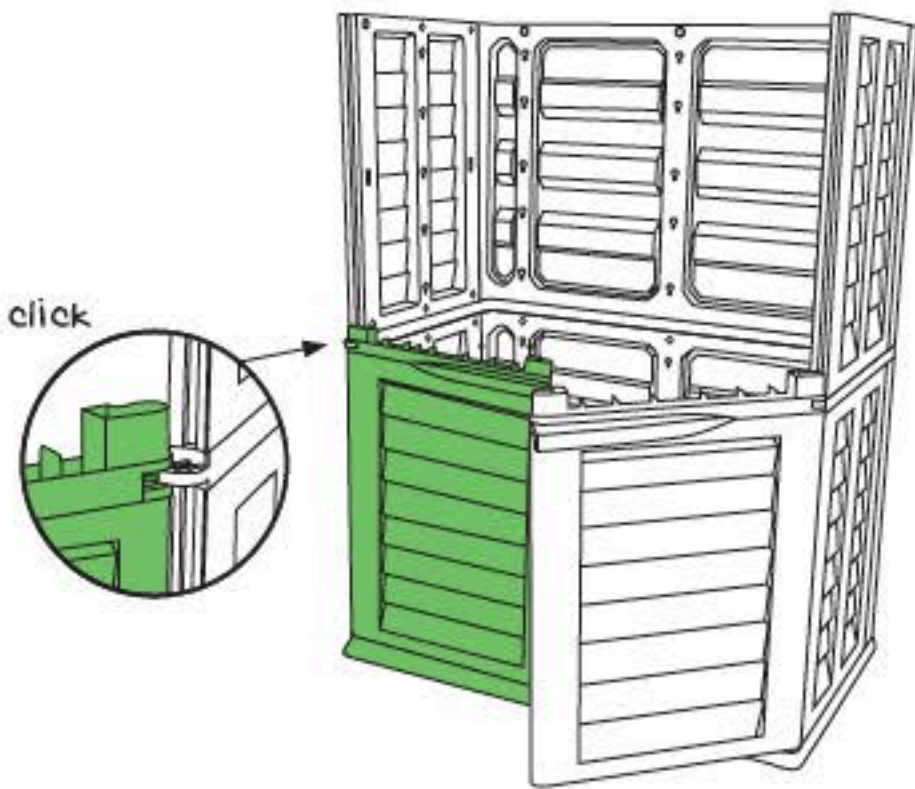


7



click

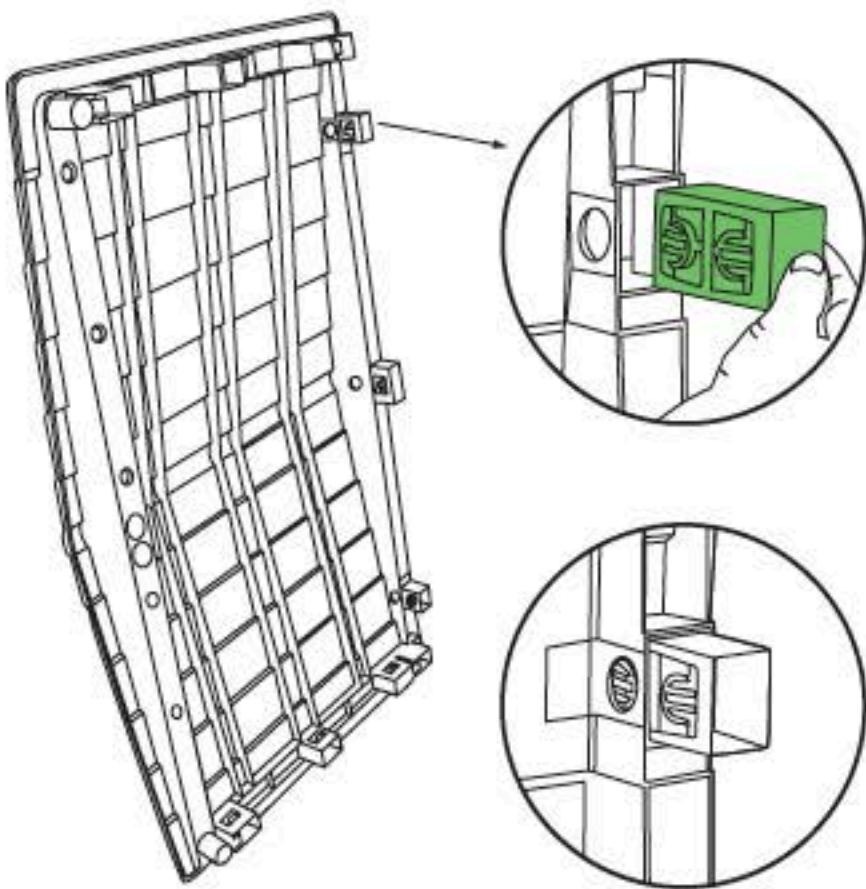
8



9



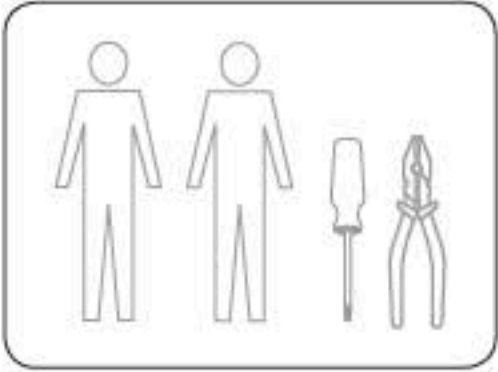
10



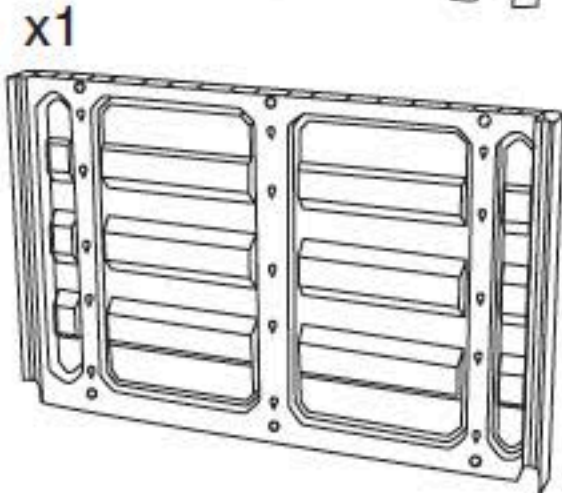
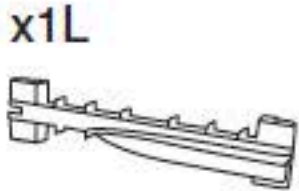
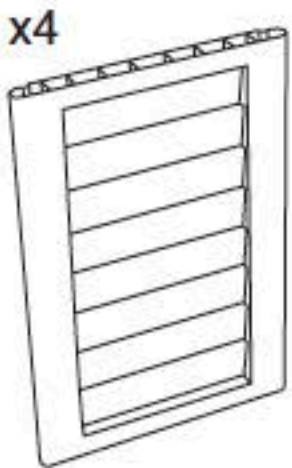
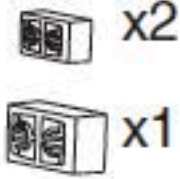
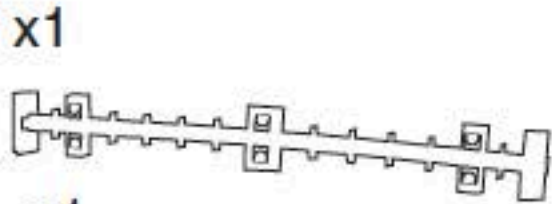
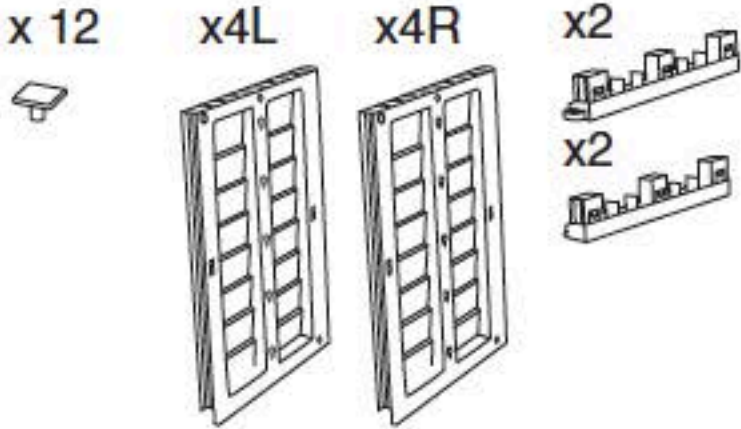
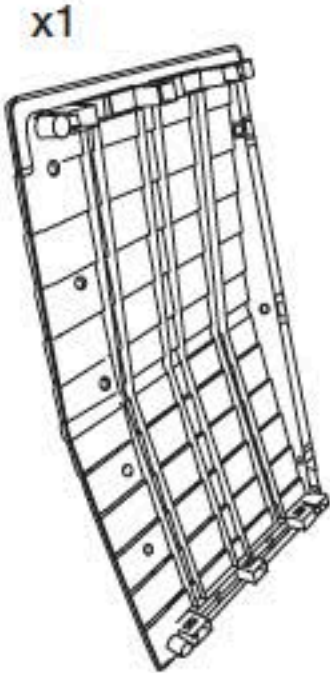
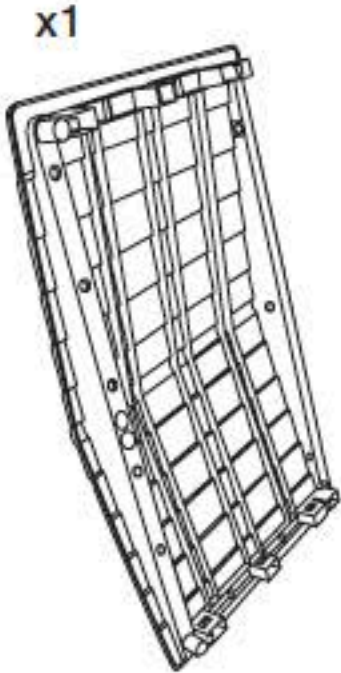
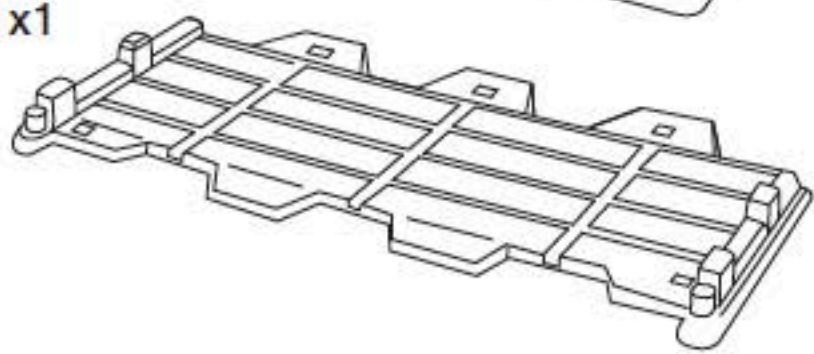
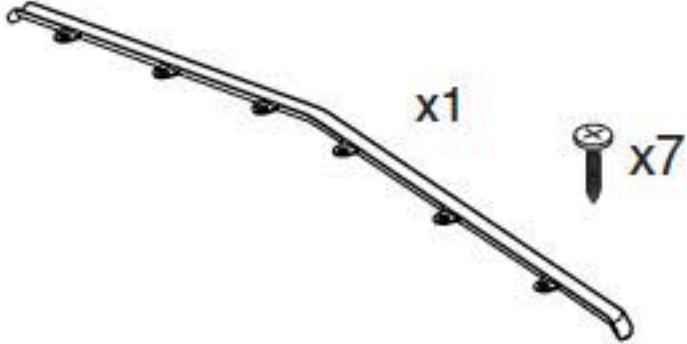
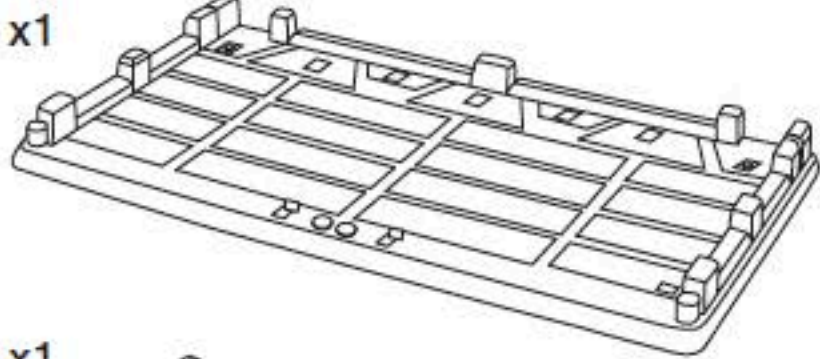
11



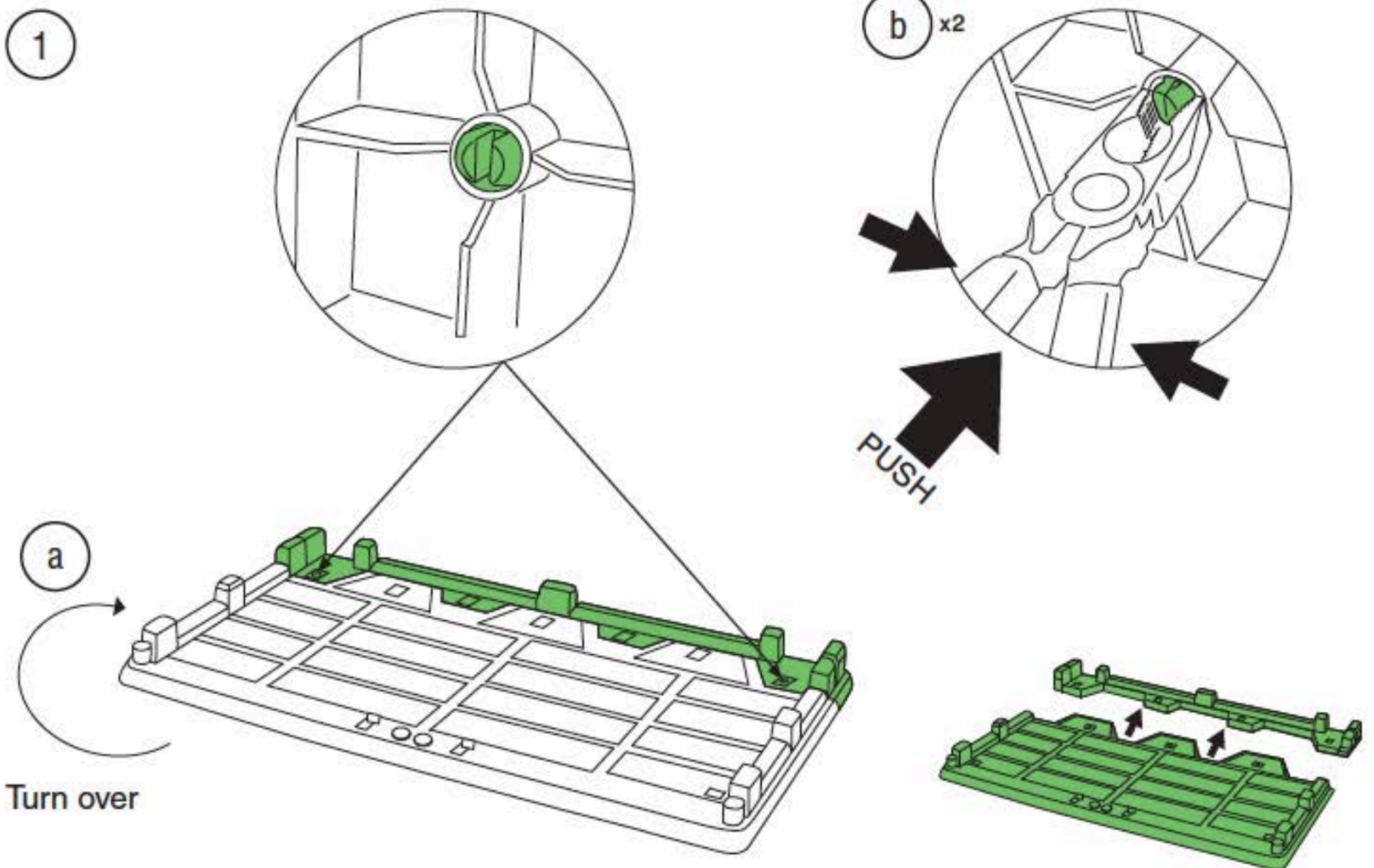
Tall Garden Shed with Add-On



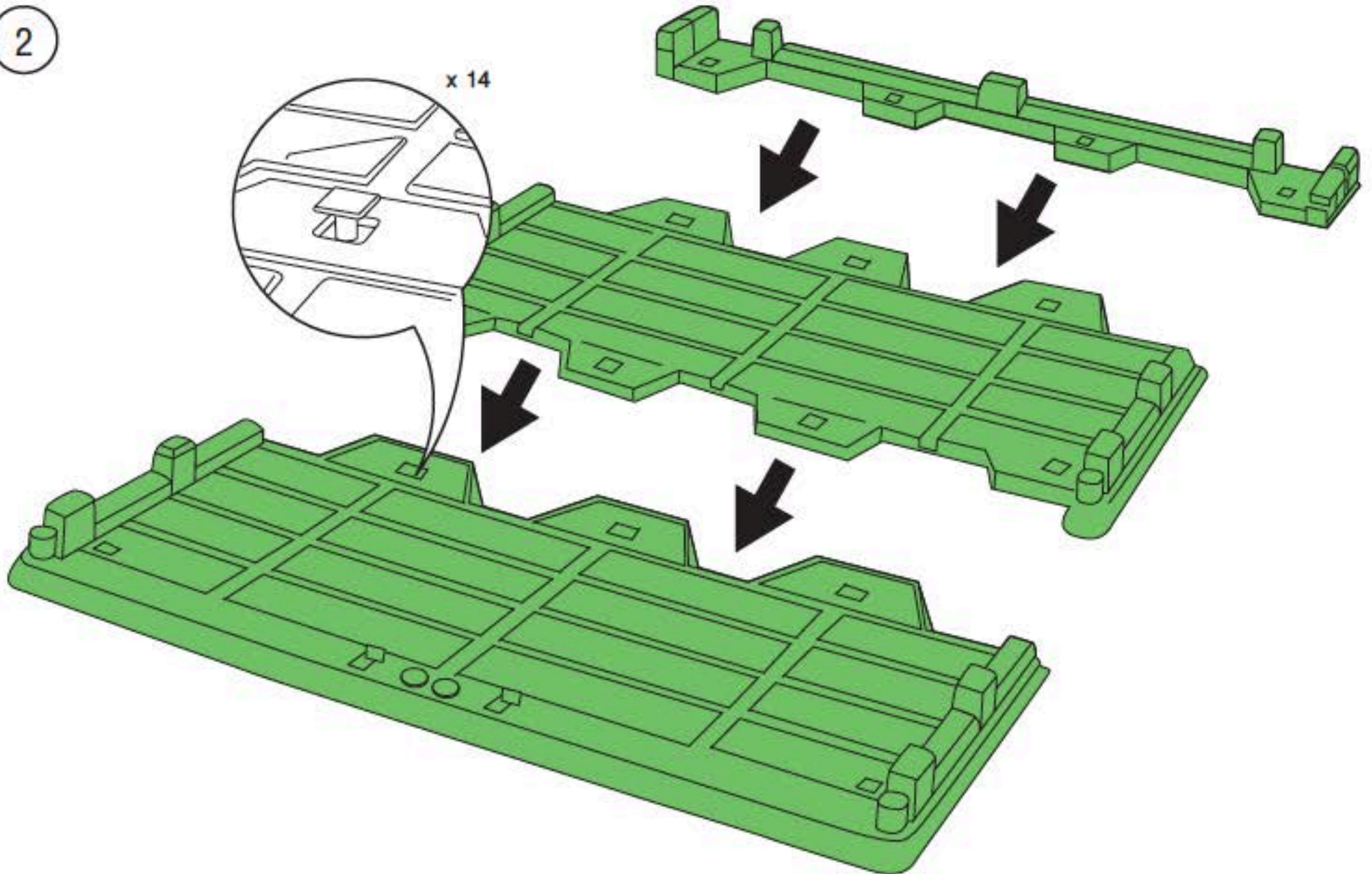
parts:



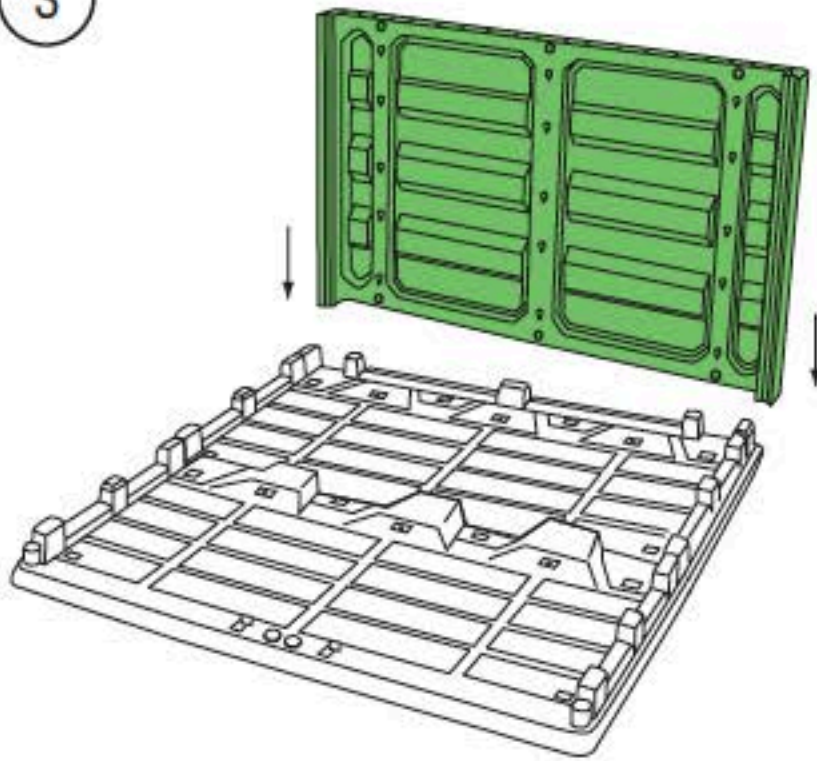
1



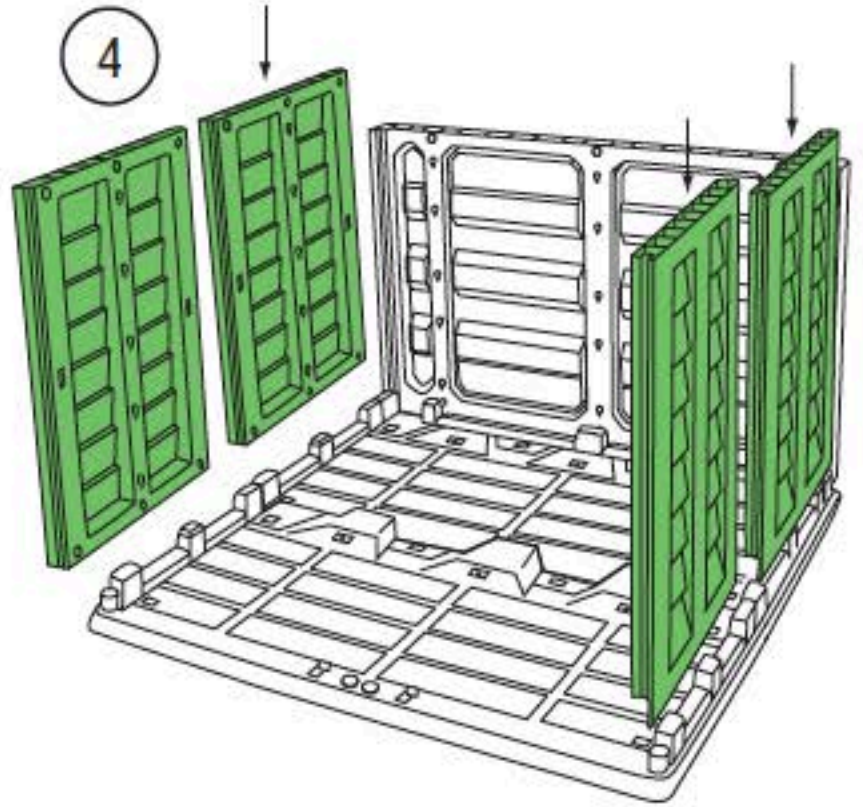
2



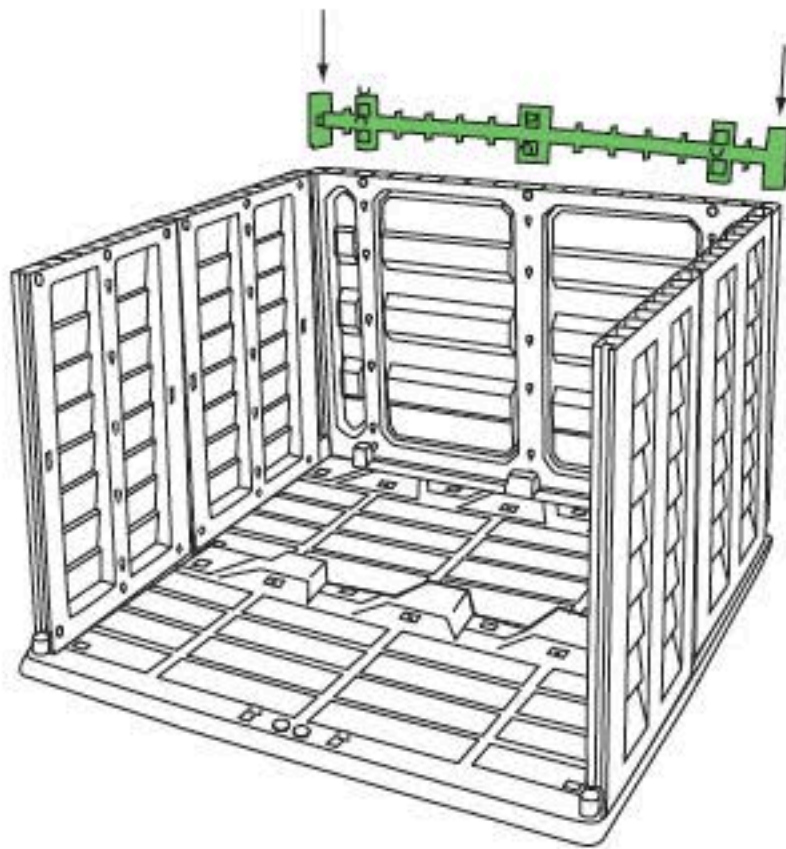
3



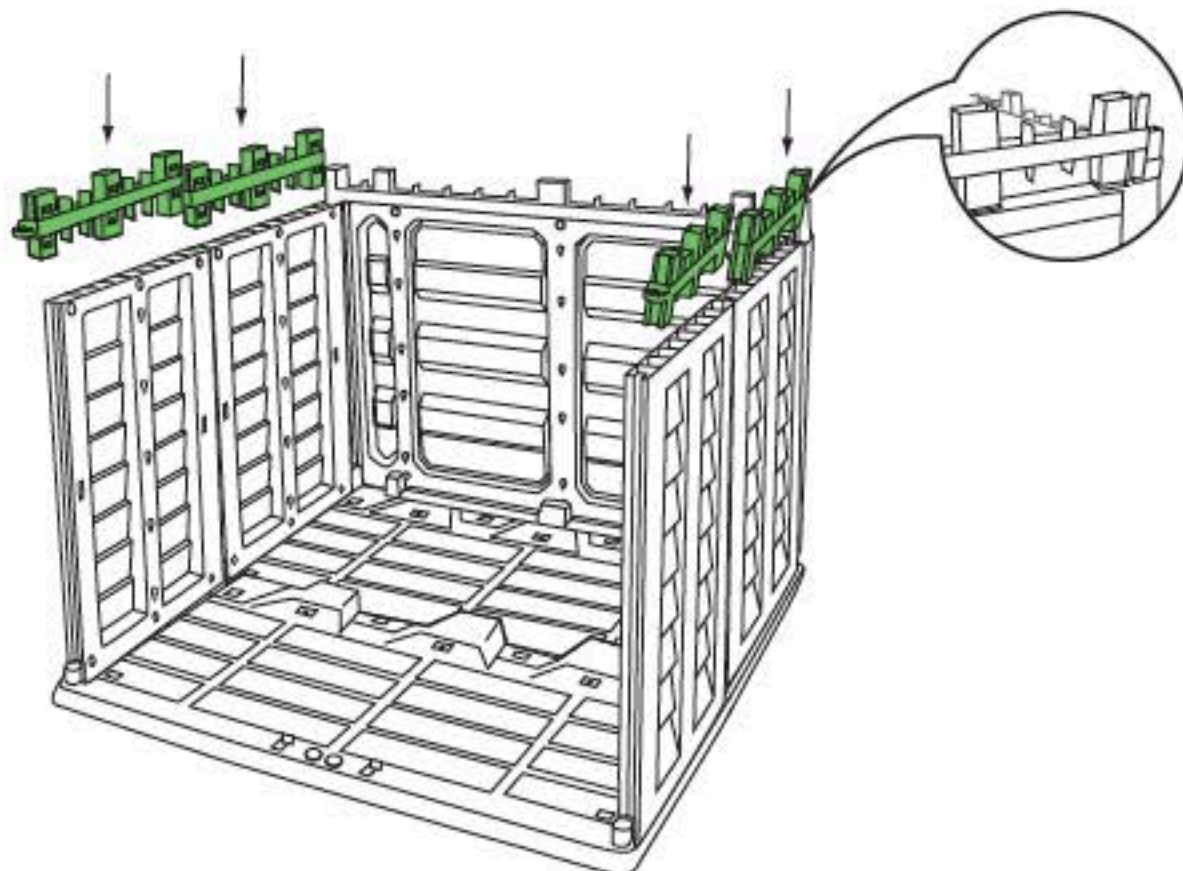
4



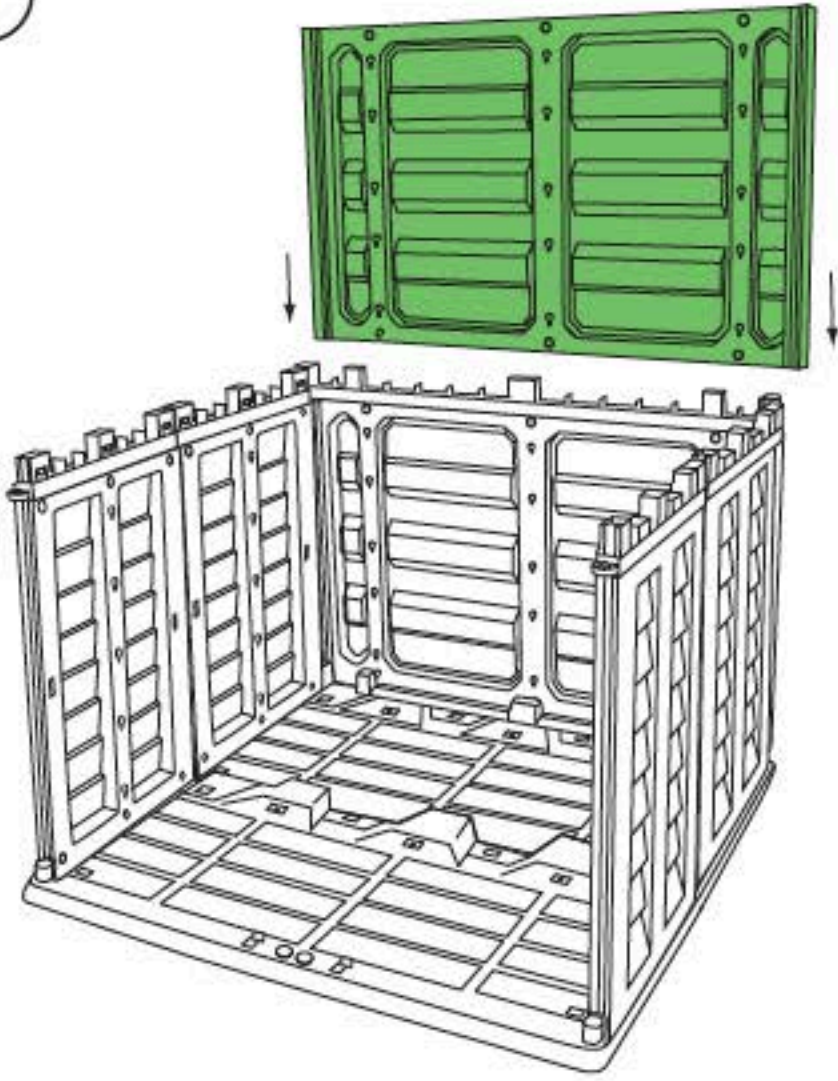
5



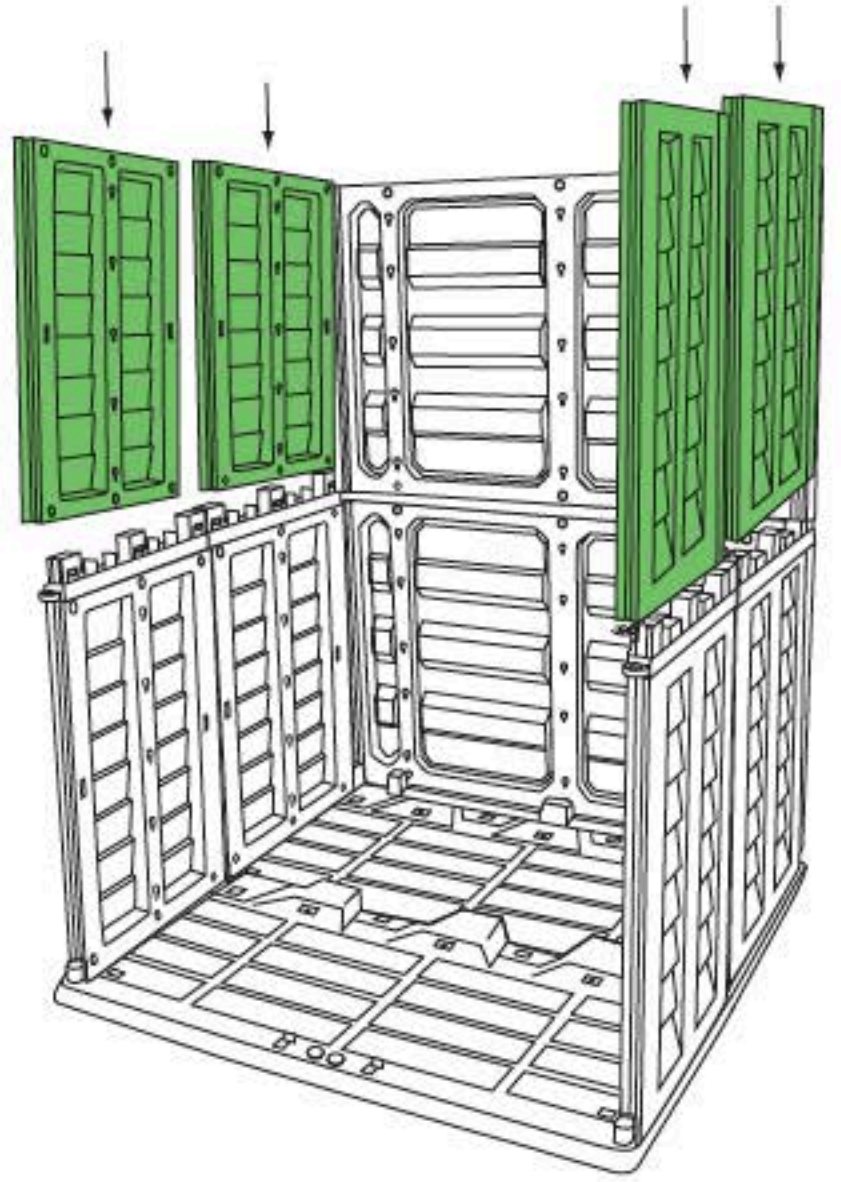
6



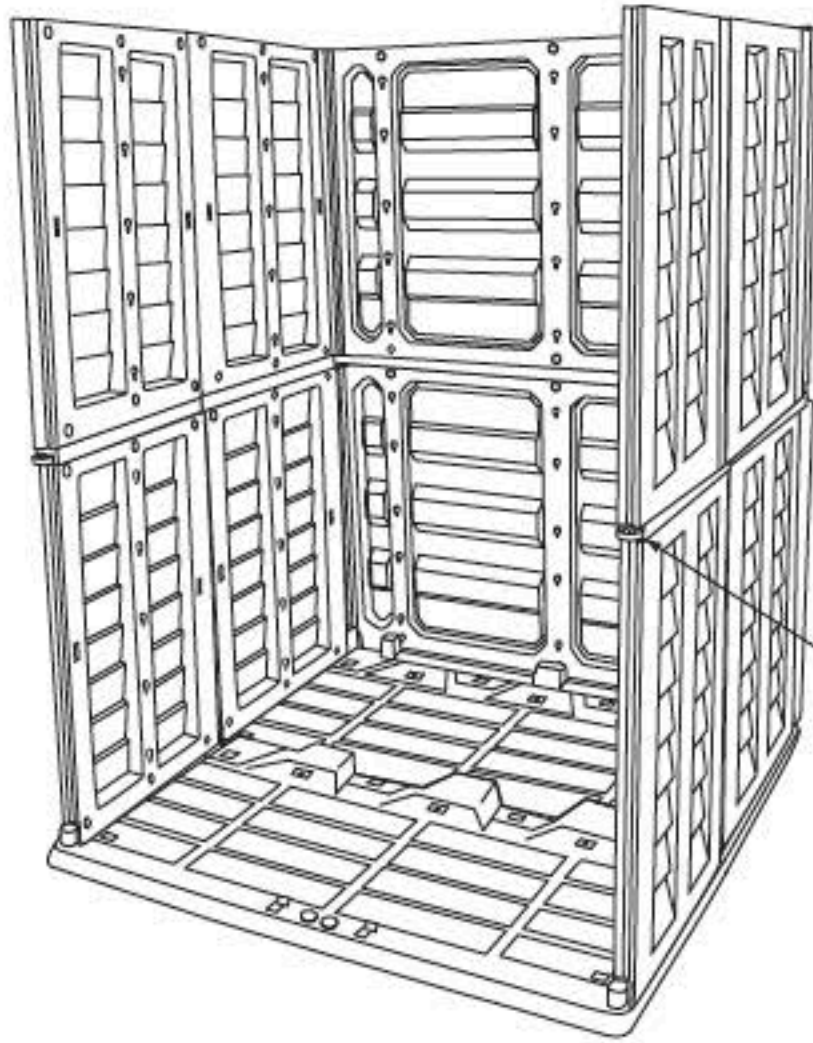
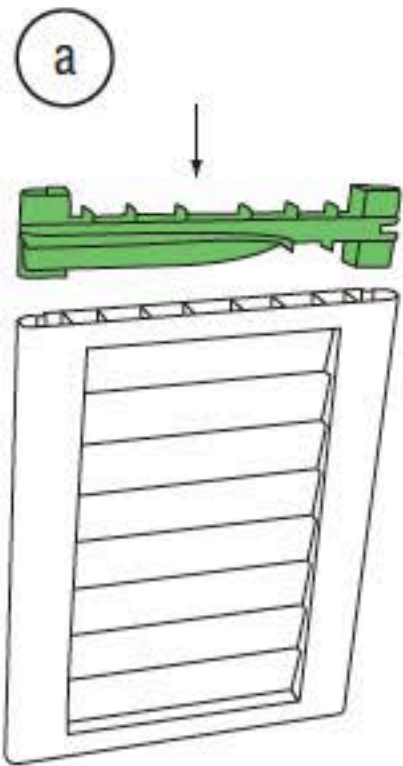
7



8

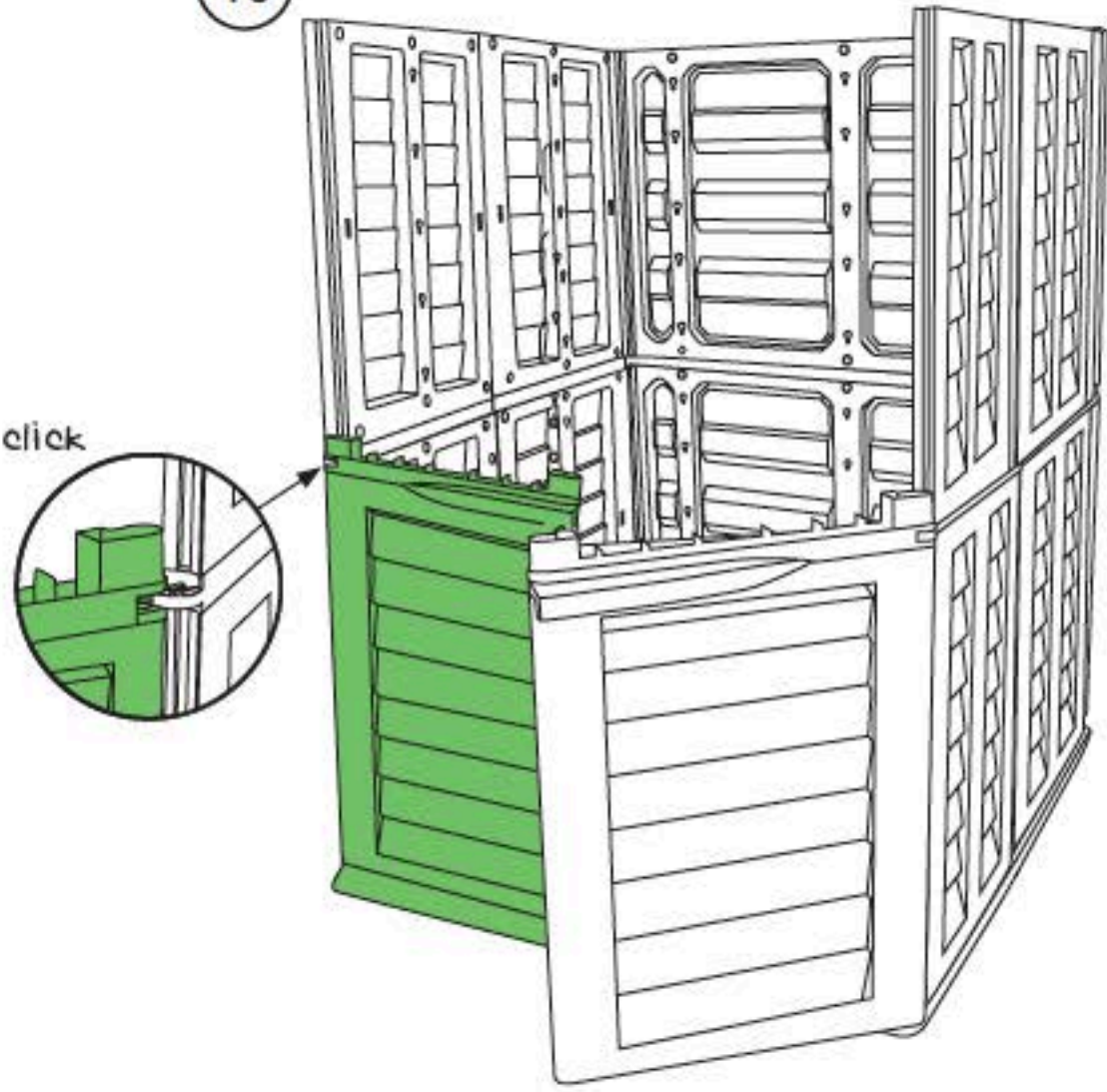


9



10

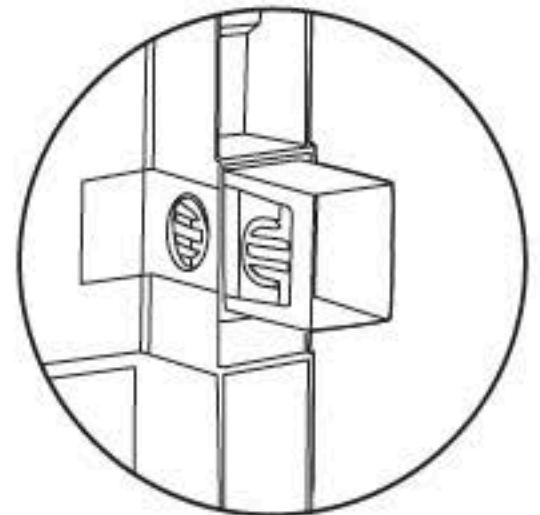
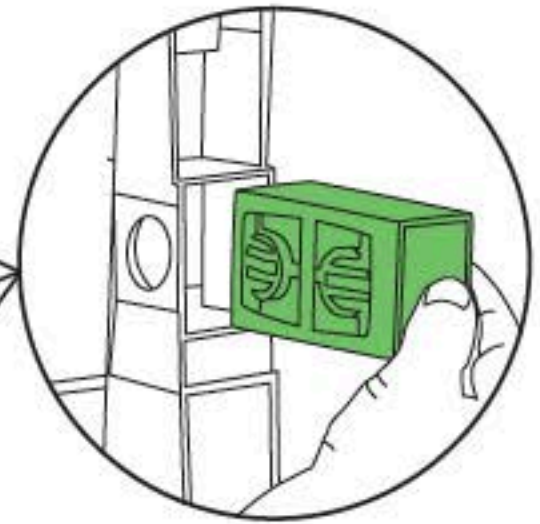
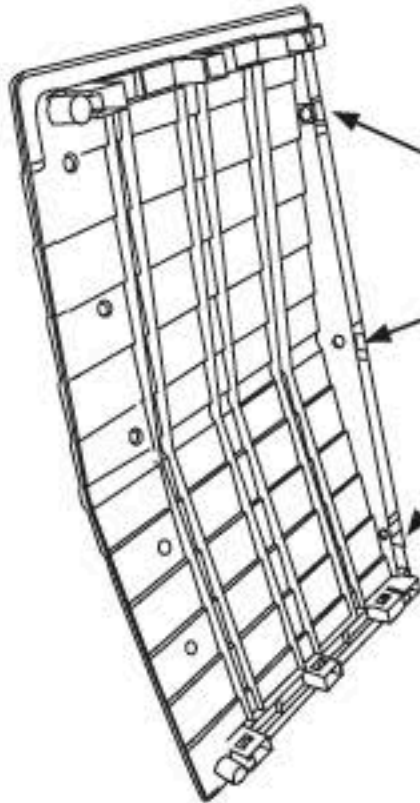
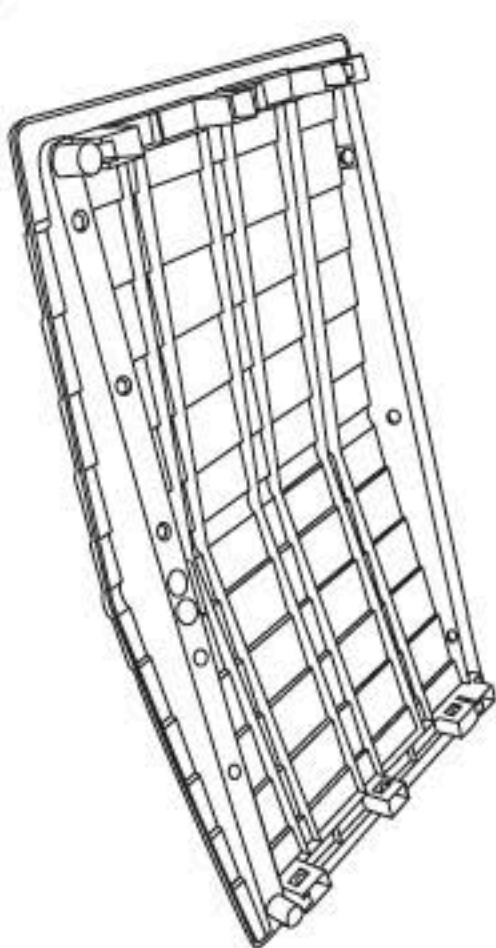
click



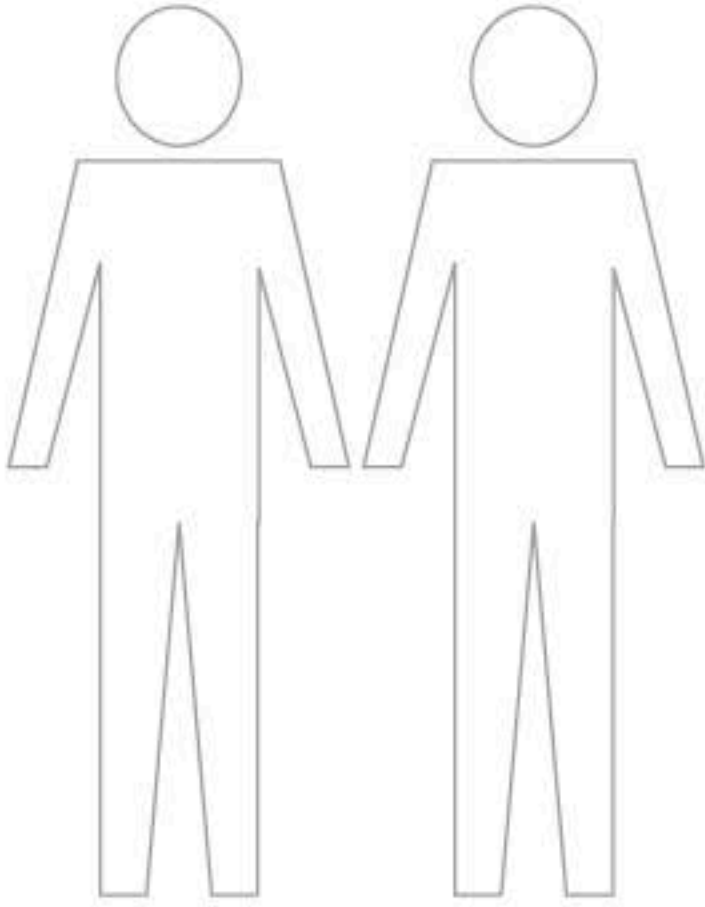
11



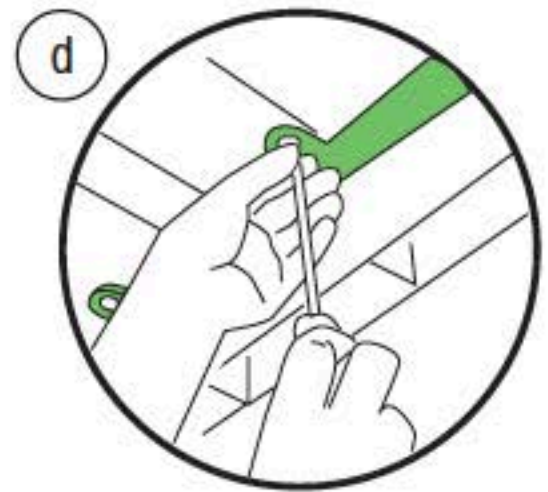
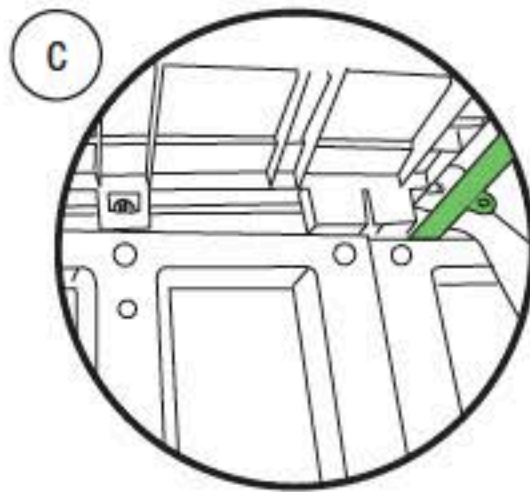
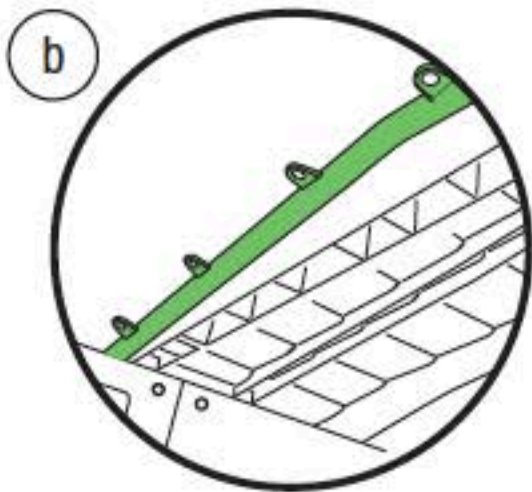
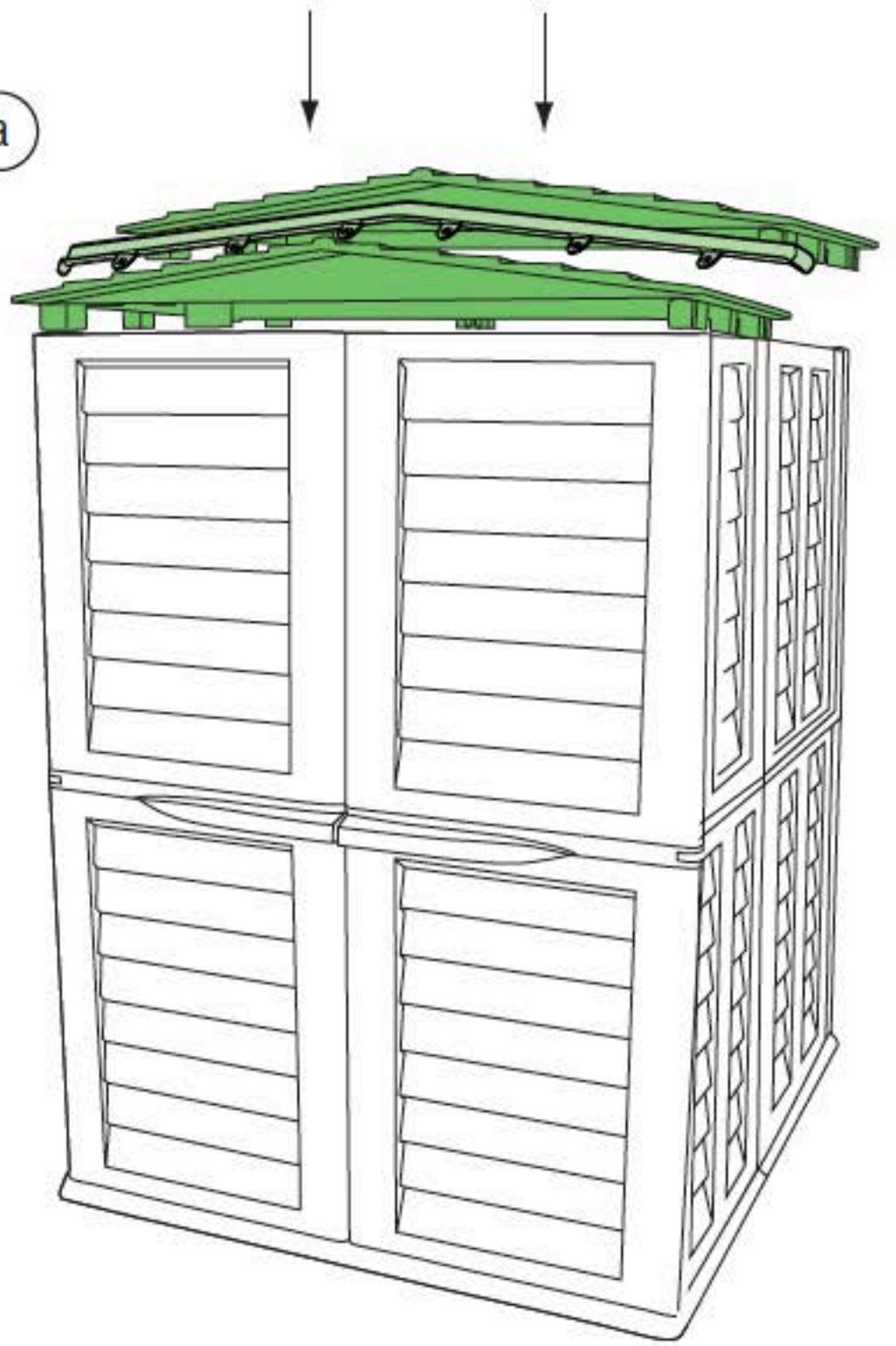
12



13

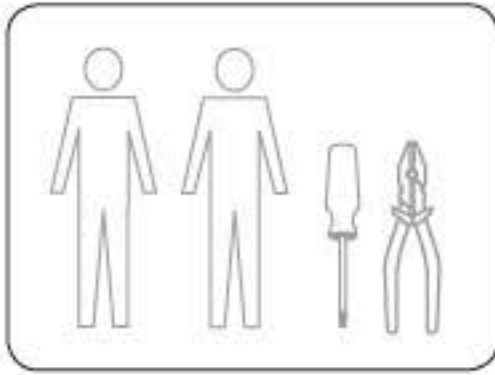


a



Add-On to existing garden shed

How to disassembly



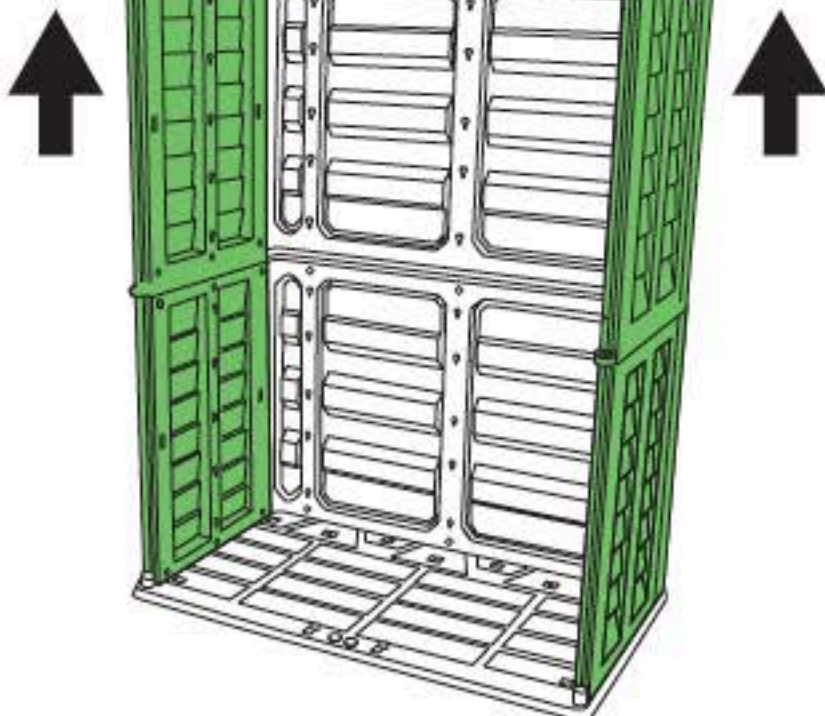
1



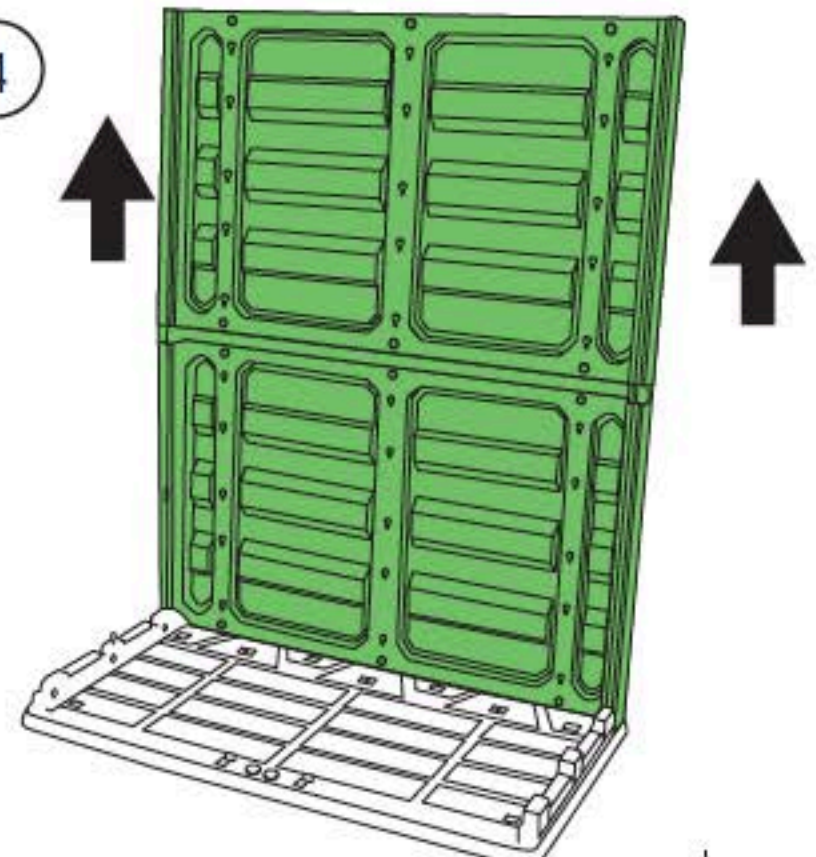
2



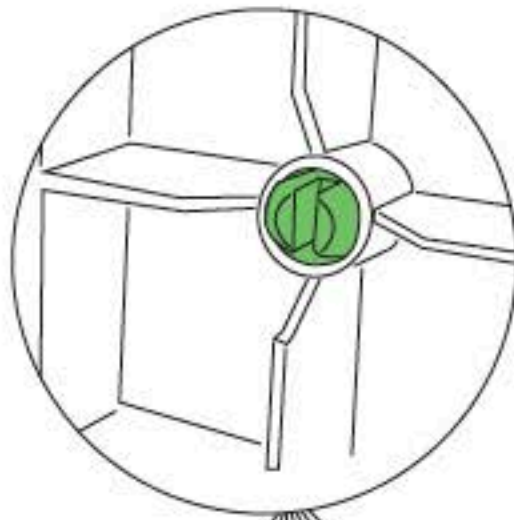
3



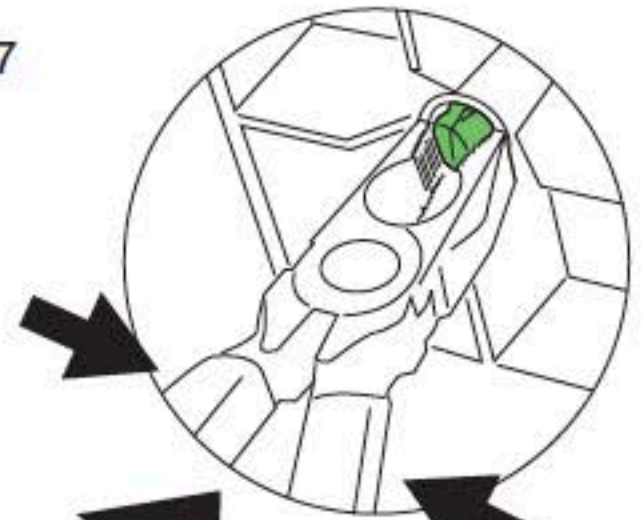
4



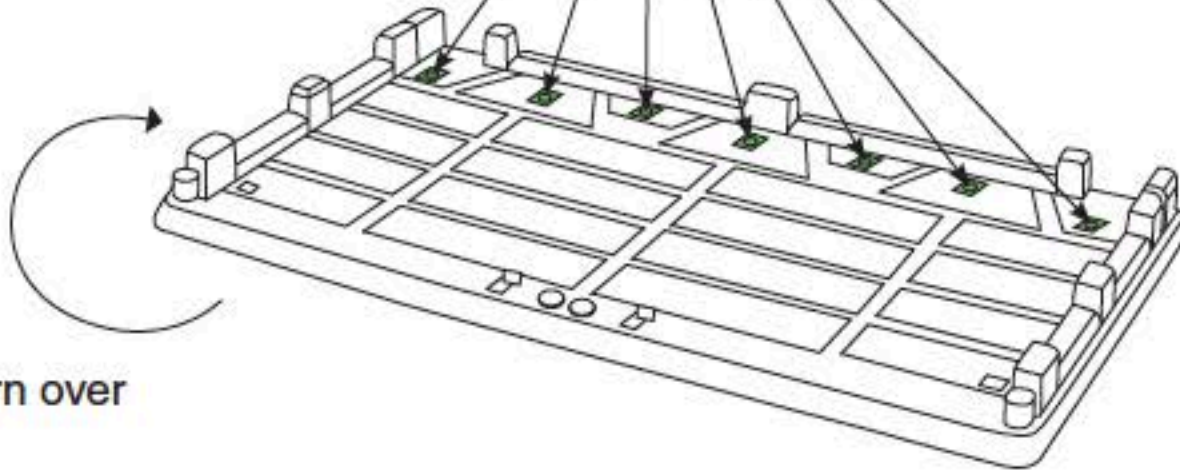
5



6 x7

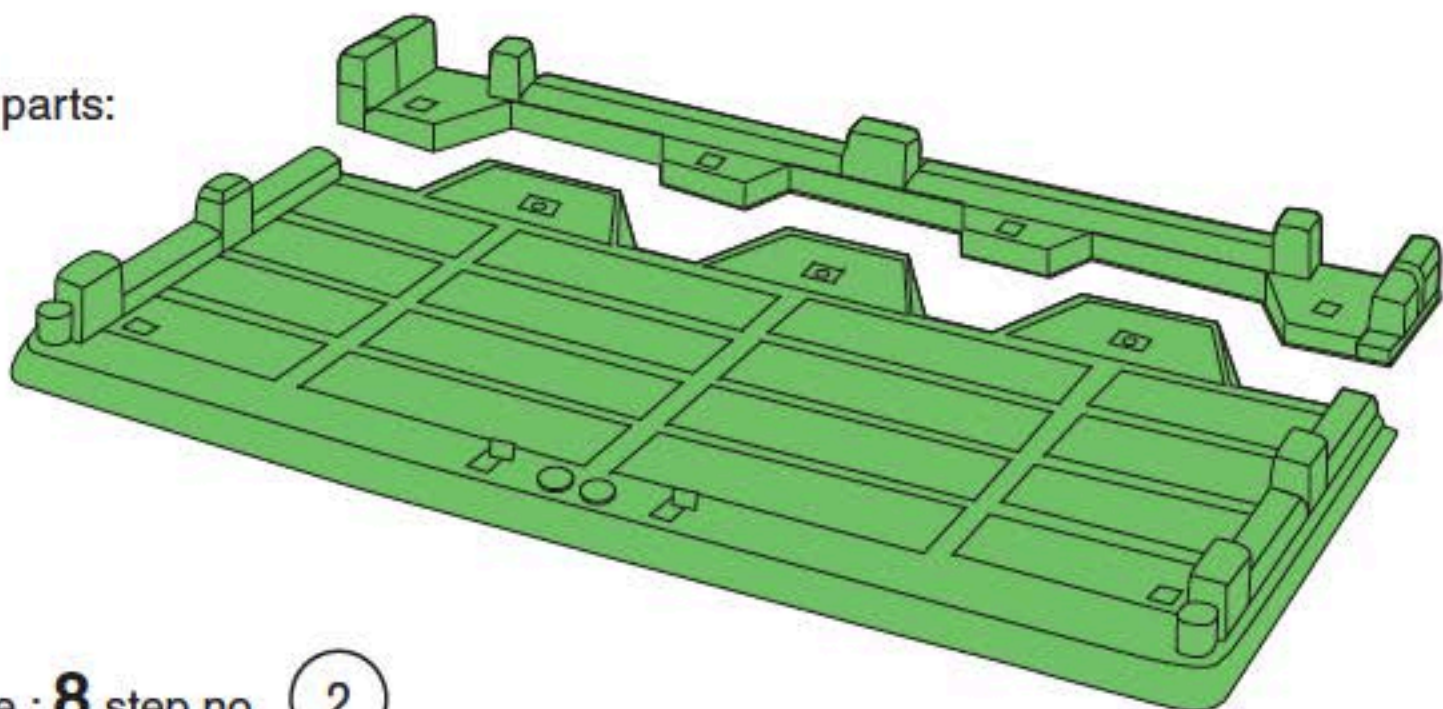


PUSH



Turn over

You get 2 parts:



Go to page : **8** step no. **2**

