



HOW TO ASSEMBLE

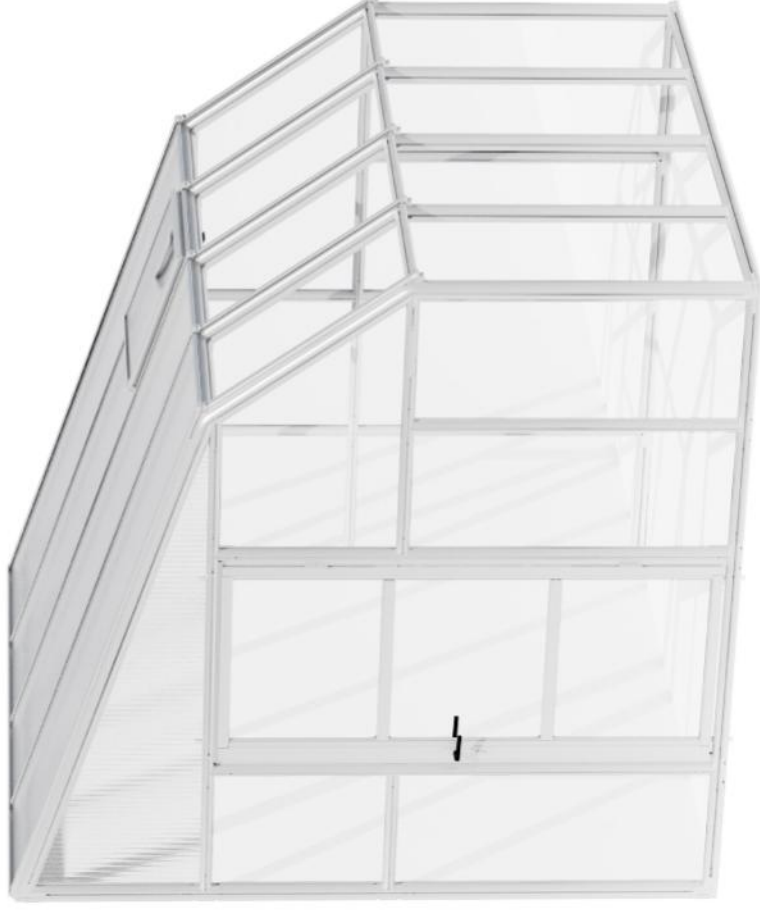
SUN ROOM™ 8' / 2.6m SERIES

IMPORTANT!
















Please read these instructions carefully before starting assembly.
Keep these instructions in a safe place for future reference.













www.canopia.com

A member of Palram Industries Ltd.



AVAILABLE MODELS

8x8 / 2.6x2.6		8x10 / 2.6x3.2		8x12 / 2.6x4		8x14 / 2.6x4.5	
FRONT UNIT 4 / 1.2	1 BOX 	FRONT UNIT 4 / 1.2	1 BOX 	FRONT UNIT 4 / 1.2	1 BOX 	FRONT UNIT 4 / 1.2	1 BOX 
BACK UNIT 4 / 1.2	1 BOX 	MIDDLE UNIT 2 / 0.6	1 BOX 	MIDDLE UNIT 2 / 0.6	2 BOXES 	MIDDLE UNIT 2 / 0.6	3 BOXES 
		BACK UNIT 4 / 1.2	1 BOX 	BACK UNIT 4 / 1.2	1 BOX 	BACK UNIT 4 / 1.2	1 BOX 

8x16 / 2.6x5		8x18 / 2.6x5.7		8x20 / 2.6x6.3	
FRONT UNIT 4 / 1.2	1 BOX 	FRONT UNIT 4 / 1.2	1 BOX 	FRONT UNIT 4 / 1.2	1 BOX 
MIDDLE UNIT 2 / 0.6	4 BOXES 	MIDDLE UNIT 2 / 0.6	5 BOXES 	MIDDLE UNIT 2 / 0.6	6 BOXES 
BACK UNIT 4 / 1.2	1 BOX 	BACK UNIT 4 / 1.2	1 BOX 	BACK UNIT 4 / 1.2	1 BOX 

HAVE A CONCERN? WE CAN HELP.

Before returning your purchase:

HABEN SIE BEDENKEN? WIR KÖNNEN HELFEN.

Bevor Sie Ihren Kauf zurücksenden:

TIENE ALGUNA INQUIETUD? PODEMOS AYUDARLE.

Antes de retornar su compra:

UN SOUCI? UNE QUESTION? NOUS POUVONS VOUS AIDER.

Avant de renvoyer ce produit:

You didn't find what you
were looking for?
We can help at
canopia.shop/support

Haben Sie nicht gefunden,
wonach Sie gesucht haben?
Unter canopia.shop/support
können wir helfen.

No encontré lo que
estaba buscando?
Podemos ayudarle en
canopia.shop/support

Vous n'avez pas trouvé
ce que vous cherchez ?
Nous pouvons vous aider sur
canopia.shop/support

Still can't find what you
are looking for?
Please see next page for
local customer care.

Sie haben noch nicht
gefunden wonach Sie suchen?
Auf der nächsten Seite
finden Sie den Kontakt zu
unserem lokalen Kundendienst.

Aún no encontré lo que buscaba?
Por favor vea en la siguiente
página el Servicio Local al Cliente.

Insatisfait/e ou sans réponse ?
Merci de contacter notre Service
Client local ci-dessous.





SCAN ME

WE ARE HERE TO HELP

For general questions: canopia.com/contact-us

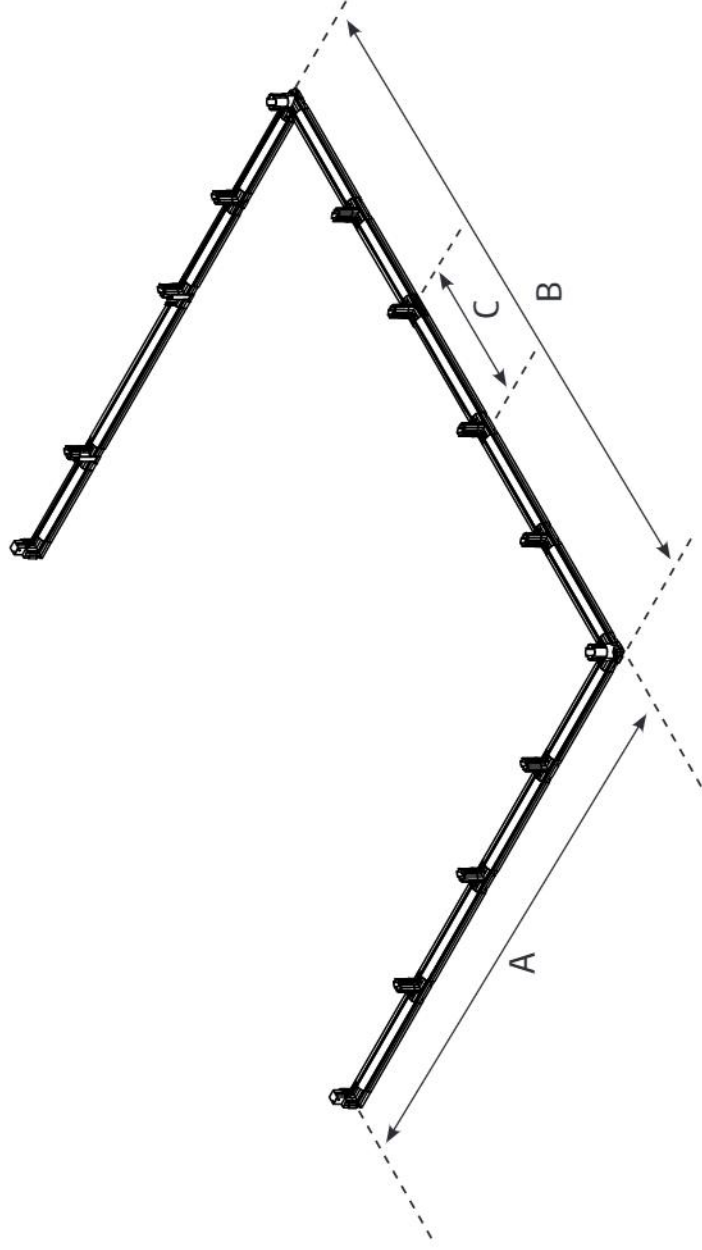
NORWAY • SWEDEN • ARGENTINA • GREECE • GREENLAND • ICELAND • ESTONIA • JAPAN • LATVIA • LITHUANIA
MAURITIUS • MEXICO • ROMANIA • RUSSIA • TURKEY • UZBEKISTAN • UKRAINE • SWAZILAND • KOREA

+972-4-848-6816 | customer.service@palram.com











USA		CANADA	HUNGARY • SLOVAKIA
877-627-8476 generalsupport@poly-tex.com	905-5646007 sales@footprintproducts.com		+420-493-523-523 servis@garland.cz
UNITED KINGDOM • IRELAND		GERMANY	NEW ZEALAND
01302-380775 customer.serviceUK@palram.com	0180-522-8778 customer.serviceDE@palram.com		0800 800 880 customer.service@palram.com
FRANCE • BELGIUM		ISRAEL	DENMARK
+33-169-791-094 customer.serviceFR@palram.com	04-848-6800 customer.service@palram.com		07-575 42 70 post@nshnordic.com
ITALY • NETHERLANDS • PORTUGAL • SPAIN		AUSTRIA • LUXEMBURG • LIECHTENSTEIN	SOUTH AFRICA
+33-169-791-094 customer.serviceFR@palram.com	+49-180-522-8778 customer.serviceDE@palram.com		011-397-7771 receptionza@palram.com
AUSTRALIA		AUSTRALIA - GREENHOUSES	CROATIA • SLOVENIA
03-9219-4444 salesvic@palram.com	03-9544-6-999 info@mazedistribution.com.au		0599-37-057 info@ms-viscom.com
CZECH REPUBLIC		SWITZERLAND	POLAND
0493-523-523 servis@garland.cz	062-287-33-77 info@ritter.ch		Infolinia: 801-011-929 22-349-93-36 kontakt@ogrodosfera.pl
CYPRUS		FINLAND	
0224-971-13 alpaco@alpacomica.com www.alpacomica.com	Neuvonta: 09-6866720 Tuki / Varaosat: 050-3715350 www.horisontenterprises.fi tuki@horisontenterprises.fi		

BASE DIMENSIONS

MODELS	WIDTH
8x8 / 2.6x2.6	A 257.2 cm / 77.2"
8x10 / 2.6x3.2	
8x12 / 2.6x4	
8x16 / 2.6x5	
8x18 / 2.6x5.7	
8x20 / 2.6x6.3	
LENGTH	EXTENSION UNITS
B 259.5 cm / 117" 322 cm / 127" 384 cm / 151" 446 cm / 175.6" 508 cm / 200" 633 cm / 249.2"	-
	C 62.2 cm / 24.4" (x1) 62.2 cm / 24.4" (x2) 62.2 cm / 24.4" (x3) 62.2 cm / 24.4" (x4) 62.2 cm / 24.4" (x5)



TOOLS & EQUIPMENT

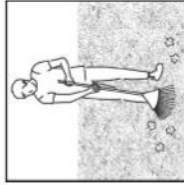
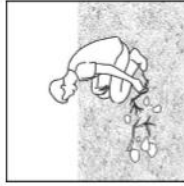
 x2	<input type="checkbox"/> 2 people needed		<input type="checkbox"/> Work gloves	 +	<input type="checkbox"/> Cordless drill Phillips head		<input type="checkbox"/> Tape measure		<input type="checkbox"/> GT1 (Supplied)
	<input type="checkbox"/> Ladder	 +	<input type="checkbox"/> Phillips head Screwdriver		<input type="checkbox"/> Needle Nose Pliers		<input type="checkbox"/> Spirit Level		<input type="checkbox"/> Wrench 7 mm 1/4" 10 mm 3/8" 11 mm 7/16"

SITE PREPARATION & FOUNDATION

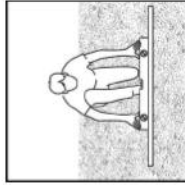
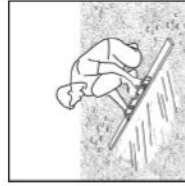
A - PREPARE THE SITE

The product must be positioned and fixed on a flat level surface.

1 - Clear the site



2 - Level the ground

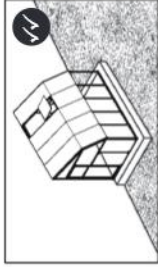
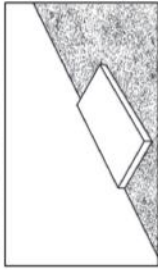


	A	1	2
FR	PRÉPARER LE TERRAIN La produit doit être positionnée et fixée sur une surface plane	Déblayer le terrain	Niveler le sol
DE	VORBEREITUNG DES UNTERGRUNDES Das Produkt muss auf einem flachen Untergrund aufgestellt und befestigt werden.	Standort säubern	Untergrund ausgleichen und nivellieren
ES	PREPARE EL SITIO El producto debe colocarse y fijarse en una superficie plana y nivelada.	Limpie el sitio	Nivele el terreno
PL	PRZYGOTUJ MIEJSCE Produkt musi być umieszczona i umocowana na płaskiej i równej powierzchni.	Oczyść miejsce	Wyrównaj podłoże

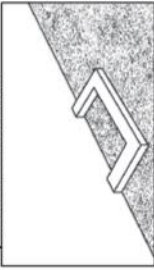
B - CHOOSE YOUR FOUNDATION TYPE

For a foundation, we recommend using three material types :
Concrete / Pressure treated wood / wood deck / Paver blocks

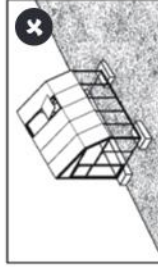
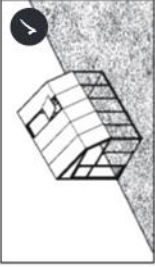
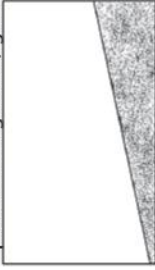
Option 1: Solid foundation



Option 2: Solid frame



Option 3: Firm ground / grass



* The size of the product displayed is for illustration purposes only and may not reflect the size of your product.

B	Option 1	Option 2	Option 3
<p>CHOISIR VOTRE TYPE DE FONDATIONS Pour la fondations, nous recommandons d'utiliser trois types de matériaux : Béton / Bois traité sous pression / plancher en bois / Blocs de pavés. *La taille de la serre affichée ici est uniquement à titre d'illustration et ne reflète pas forcément la taille de votre serre.</p>	<p>FESTER FUNDAMENT Fester Fundament</p>	<p>ESTRUCTURA SÓLIDA Estructura sólida</p>	<p>TERRA FIRME / CÉSPÉD Tierra firme / césped</p>
FR	<p>UNE FONDATION SOLIDE Une fondation solide</p>	<p>UN CADRE RIGIDE Un cadre rigide</p>	<p>TERRE / PELOUSE FERME Terre / pelouse ferme</p>
DE	<p>FUNDAMENTWAHL Als Fundament stehen Folgende Materialien zur Auswahl (Empfehlung): Beton / Druckbehandeltes Holz / Holzdeck / Pflastersteine. *Die Größe des abgebildeten Gewächshauses dient nur zur Veranschaulichung und entspricht möglicherweise nicht der Größe Ihres Gewächshauses.</p>	<p>FESTER RAHMEN Fester Rahmen</p>	<p>ERDBODEN / GRAS Erdboden / Gras</p>
ES	<p>ELIJA EL TIPO DE CIMENTACIÓN Como cimentación, recomendamos usar tres tipos de materiales: Hormigón / Madera prensada / Piso de madera / Adoquín de hormigón. *El tamaño del invernadero que se muestra tiene un propósito meramente ilustrativo y puede no reflejar el tamaño de su invernadero.</p>	<p>CIMENTACIÓN SÓLIDA cimentación sólida</p>	<p>TERRA FIRME / CÉSPÉD Tierra firme / césped</p>
PL	<p>SOLIDNA PODSTAWA Solidna podstawa</p>	<p>SOLIDNA RAMA Solidna rama</p>	<p>TWARDE PODŁOŻE / TRAWA Twarde podłoże / trawa</p>

WYBIERZ TYP FUNDAMENTÓW

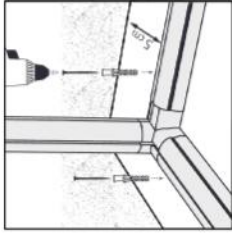
Do budowy podstawy polecamy trzy typy materiałów :

Beton | Drewno impregnowane ciśnieniowo/podkład drewniany | Kostka brukowa

* Rozmiar przedstawionej szklarni ma jedynie charakter poglądowy i może nie odzwierciedlać rozmiaru Twojej szklarni.

C - ANCHOR TO FOUNDATION

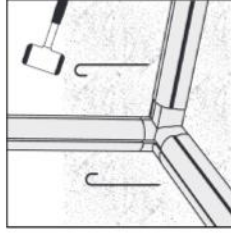
1 - On a solid foundation / frame



Secure the product to the foundation of your choice using suitable screws & plugs or masonry anchors (not supplied).

Make sure you have at least 5 cm / 2" between the product base and the edges of your foundation - **on all sides**.

2 - On soil / grass



Secure the product to the ground surface using suitable long pegs (not supplied).

Please consult with an expert regarding which fasteners are suitable for other surface types.

C	1	2
FR ANCRAGE A LA FONDATION	<p>Sur une fondation solide / cadre Fixez le produit à la fondation de votre choix, à l'aide de vis et de chevilles appropriées ou d'ancrages en maçonnerie (non fournis). Assurez-vous qu'il y a au moins 5 cm entre la base du produit et le périmètre de votre fondation - de tous les côtés.</p>	<p>Sur la terre ou l'herbe Fixez le produit à la surface du sol à l'aide de longs piquets appropriés (non fournis). Demandez à un expert quels éléments de fixation conviennent à un autre type de surface.</p>
DE BEFESTIGUNG AM FUNDAMENT	<p>Befestigen Sie das Produkt auf einem festem Fundament / Rahmen Mit geeigneten Dübeln und Schrauben oder Mauerwerksankern, je nach gewähltem Fundamenttyp (nicht mitgeliefert). Stellen Sie sicher, dass zwischen der Basis des Produkts und den Kanten Ihres Fundaments auf allen Seiten mindestens 5 cm Abstand sind.</p>	<p>Montieren Sie das Produkt direkt auf dem Rasen/Boden Müssen ausreichend lange Erdanker verwendet werden. Sichern Sie das Produkt auf dem Boden/Rasen mit geeigneten langen Pflocken (nicht im Lieferumfang enthalten) auf der Bodenoberfläche. Bitte fragen Sie einen Experten, welche Befestigungsmittel für andere Untergründe geeignet sind.</p>
ES ANCLAJE A LOS CIMIENTOS	<p>Sobre una cimentación sólida / estructura Asegure el producto a los cimientos de su elección, usando tornillos y tacos adecuados o anclajes de mampostería (no incluidos). Asegúrese de tener al menos 5 cm 2" entre la base del producto y el perímetro de su cimiento - en todos los lados.</p>	<p>Sobre tierra / césped Asegure el producto a la superficie del terreno usando clavijas largas y adecuadas (no incluidos). Pregunte a un experto qué elementos de fijación son adecuados para otro tipo superficie.</p>
PL ZAKOTWICZENIE DO FUNDAMENTÓW	<p>Na solidnej podstawie / Na solidnej ramie Zamocuj produkt do fundamentów wybranego typu przy użyciu odpowiednich śrub i wtyków bądź kotwi murarskich (brak w zestawie). Upewnij się, że masz najmniej 5 cm 2 cale pomiędzy ramą produktu a krawędziami fundamentów - ze wszystkich stron.</p>	<p>Na glebie / trawie Przymocuj produkt do podłoża przy użyciu odpowiednich długich palików (brak w zestawie). Dobór odpowiedniego typu montażu (nie dołączono do zestawu) do innych powierzchni należy skonsultować z ekspertem.</p>

EN INFORMATION

SAFETY ADVICE

- It is of utmost importance to assemble all of the parts according to the directions. Do not skip any steps.
 - Always wear work gloves during panel sliding.
 - Always wear shoes and safety goggles when working with extruded aluminium.
 - If using a step ladder or power tools make sure that you follow the manufacturer's safety advice.
 - Do not touch overhead power cables with the aluminium profiles.
 - Do not attempt to assemble the product in windy or wet conditions.
 - Do not climb or stand on the roof.
 - Dispose of all plastic bags. Keep them out of reach of small children.
 - Keep children away from the assembly area.
 - Do not lean against or push the products during construction.
 - Do not position your product in an area exposed to excessive winds.
 - Do not attempt to assemble this product if you are tired, have taken drugs or alcohol or if you are prone to dizzy spells.
 - Hot items such as recently used grills, blowtorches etc. must not be stored in the product.
 - Make sure there are no hidden pipes or cables in the ground before anchoring to foundation.
 - This product is designed to be used mainly as a greenhouse.
 - **Make sure to anchor the product directly to a solid foundation to increase the product's stability and wind resistance in areas with severe weather conditions. Make sure that there are no obstructions between the assembly area and the final position of the product.**
- The Palram - Canopia Anchoring kit is available for purchase separately.**

CARE & MAINTENANCE

- When your product needs to be cleaned, use a mild detergent solution and rinse with cold clean water.
- DO NOT use acetone, abrasive cleaners or other special detergents to clean the panels.
- Clean the product once assembly is complete.

BEFORE ASSEMBLY

- Selecting a site:
 - Choose your site carefully before beginning assembly.
 - Choose a sunny position away from overhanging trees.
 - The product must be positioned and fixed on a flat level surface.
- The product must be secured directly to a solid foundation.
- This is a multi-part assembly best achieved by two people. Allow at least half a day for the assembly process.
- Take all components & parts out of the packages. Sort the parts and check against the content parts list.
- Parts should be laid out close at hand. Keep all small parts (screws etc.) in a bowl so they do not get lost.
- Please note multi-sided profiles are used in this product. As a result some holes in the profiles are not used during assembly.
- Please review entire instructions before starting. Carry out the assembly steps in exact order.
- Please consult your local authorities if any permits are required prior to constructing the product.
- Please ensure you have sufficient side space for inserting the roof panels during the assembly process.

IMPORTANT!

- Firmly connect the product to a level surface immediately after completion of the assembly.
 - Anchoring this product to the ground is essential to its stability and rigidity. It is required to complete this stage in order for your warranty to be valid.
 - During assembly use a soft surface below the parts to avoid scratches and damages.
 - We recommend checking for restrictions or covenants for building this product in your area.
- In addition we advise to check if you need to submit any forms or if any permit is required prior to building the product.

DURING ASSEMBLY

During assembly, you will encounter different icons for different products. Please see below for more information:



You may use silicone lubricant spray on the frame in order to help you slide the panels into the profiles. Do not spray the panels.



Use a rubber mallet if necessary.



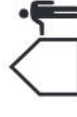
Make sure you remove covering plastic film from both sides of the panel.



All panels with the stamped words "THIS SIDE OUT" must be facing out to create full UV protection. Remove plastic sticker as panels are locked in place.



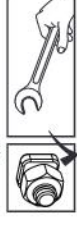
This icon indicates that the installer should be inside the product.



This icon indicates that the installer should be outside the product.



Steps marked with dashed outlines refer to Extensions only. Some of the steps are irrelevant for an assembly of a single product. When assembling a single or an extended product, some parts may be surplus.



These 2 icons below indicate if screw's tightening is required or not.

Temporary tightening of a few screws may be needed to prevent a profile from sliding out. Tighten all screws once assembly is completed.



IMPORTANT ASSEMBLY STEPS


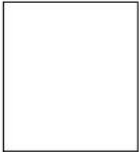



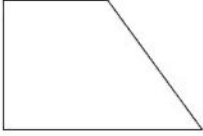



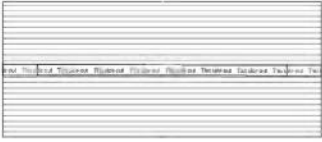
When encountering this information icon during assembly, please refer to the relevant assembly step for important additional comments.

- Step 1:** Door assembly can be done from the right or left hand side. Determine which side to place the door. The decision will affect the upcoming steps.
- Steps 1-3:** Arrange all 2D connectors with the stamped word OUT facing the outside of the greenhouse.
- Step 4:** Make sure that the frame is perfectly rectangular by measuring the diagonals and verifying that they are the same. Make sure that the frame is level and anchor it with screw / screw + dibble / spike (not included) according to the selected surface. The wall to which you are securing your product onto must be at a **90°** to the foundation.
- Step 17:** Make sure that the frame is perfectly straightened by using a spirit level. Make sure that the frame is leveled and anchor it to the wall with suitable screws / screws + plugs / spikes (not supplied), excluding **part # BC1** in accordance with your wall surface. The wall to which you are securing your product onto must be at a **90°** to the foundation.
- Steps 18-23:** **Reinforcement Arch Profiles**
Make sure that all the metal profiles are inserted inside the plastic profiles. Repeat each step based on your product's size and the number of arch profiles needed to be assembled as illustrated.

- Step 27:** Make sure that the profiles are perfectly straightened by using a spirit level.
Anchor **Part 7937** to the wall with suitable screws / screws + plugs / spikes (not supplied) according to your wall surface.
- Step 28:** Repeat **Steps 24-27** according to the amount of modules purchased.
- Step 30:** Repeat and refer to **Step 4**.
- Steps 39-40:** Repeat and refer to **Step 17**.
- Step 41:** Seal the product's edges with Silicon Sealant.
- Step 57:** Insert the rubber strip (**Part GF**) from the outside of the product. Cut the remaining edges.
- Step 64:** Insert the rubber strip, **Part 7869**, from the outside of the product. During this step, turn the door in order to insert the rubber strip correctly.
- Step 66:** Determines door opening's direction. The door can be installed as a left or right hand door and can be opened either to the left or to the right.
- Step 69:** Adjust the hinges height in accordance with the upper post and lower ramp of the door aperture, as specified in **Illustracion c**.
- Step 70:** If necessary, you can rotate the cylinder tab. See **Drawings a + b**.
- Step 75:** If the window doesn't close properly, please release the screws, adjust the profile and re-tighten the screws.
- Step 76:** The door can be installed either as a right or left hand door. Choose one of the two depicted options.
* If you choose the option of the door opening to the wall, use suitable screws and plugs for your wall type.






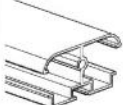




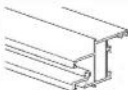
Contents



Item		Front	Back	Middle
PN55		2	2	1
PN53			2	
PN1		2	6	1
PN127		3		
PN51			1	
PN134		1		
7953		3		
7942		1		
7803		2	1	1
7802			1	

Contents



Item		Front	Back	Middle
586			1	
7801		1		
7809			1	
7612		1	1	
7805		1	1	
7614		1	2	1
7804		1	2	1
7951		2		
7552		4	4	2
992			2	
991			1	
989			1	
7950		1		

Contents



Item		Front	Back	Middle
7952		2		
7949		1		
7884		2		
7936		1	1	1
7937		1	1	
7536			1	
7534			1	
7535			1	
7533			1	
7934		1	2	1
7933		1	2	1
7935		1	2	1
7932		1	2	1

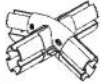









Contents



Item		Front	Back	Middle	
7957			1		
DSN			1		
GF*			2	2	1
7869			1		
8017			1		
SF				1	
7608			2	3	1
7800			2	3	1
PIN1		160	160	30	
72		2			
73			2		
74		2	4	2	
01		1	1		
2D		6	7	1	
53			1		
75		1			




Contents



Item		Front	Back	Middle
51		2	4	2
76			1	
71		1		
10			2	
11		1	1	
12		1		
13			1	
14		1	2	1
09		5	3	
SR2		1		

Contents



Item		Front	Back	Middle
B1		1	1	
B2		4	8	2
B3		1		
B4		3		
B5		1	1	
B12		1	1	
R1		1	1	
R4		1	1	
R10		1	1	
E1		4	5	1
E2		4	10	2
E13		2	3	
E15		1	2	1
E100		4		
E105		1		
E106		1		
E107		1	2	1










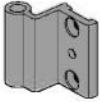
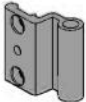





Contents



Item		Front	Back	Middle
7938		1		
7939		1		
7940		1		
7941		1		
7898		4		
BC1		10	2	2
7912		1		
7913		1		
8039		3		
7994		2		
7995		1		
9312		2		
466		26	10	4
411		26	10	4
4008			4	

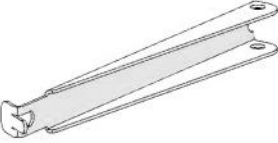




Contents



Item		Front	Back	Middle
7442		4		
7445		4		
7224		6		
7958		1		
465			4	
422			4	
4043		8	9	3
GT1		1	1	
7993		1		
7918		2		
7919		2		
7920		2		
7921		2		
7923		4		
7922		2		
7924		4		

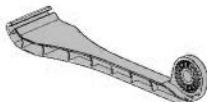
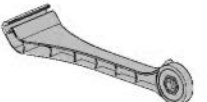








Contents



Item		Front	Back	Middle
8280		1		
8279		1		
7284		1		
7279		1		
450		2		

Contents



Item		Front	Back	Middle
8797			1	
8798			1	
8801			1	
410			1	
412			1	
8799			1	
8800			1	
461			1	
466			1	
7441			1	

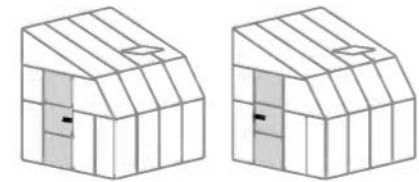
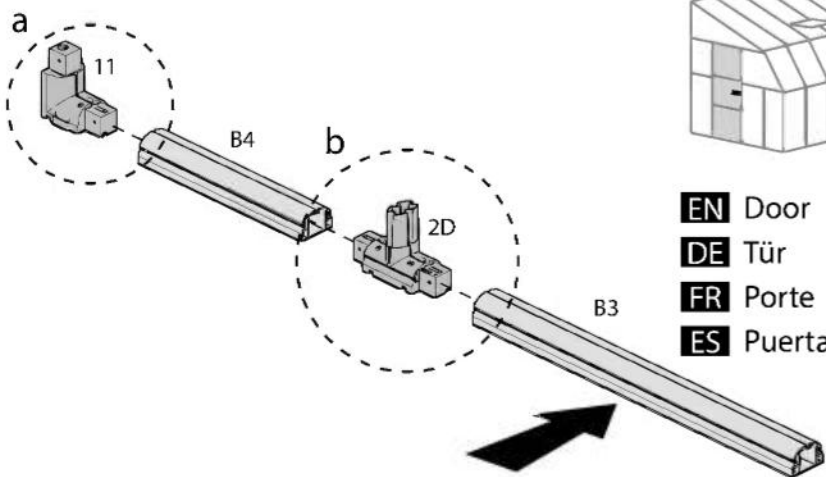
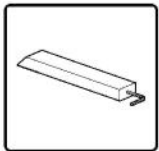
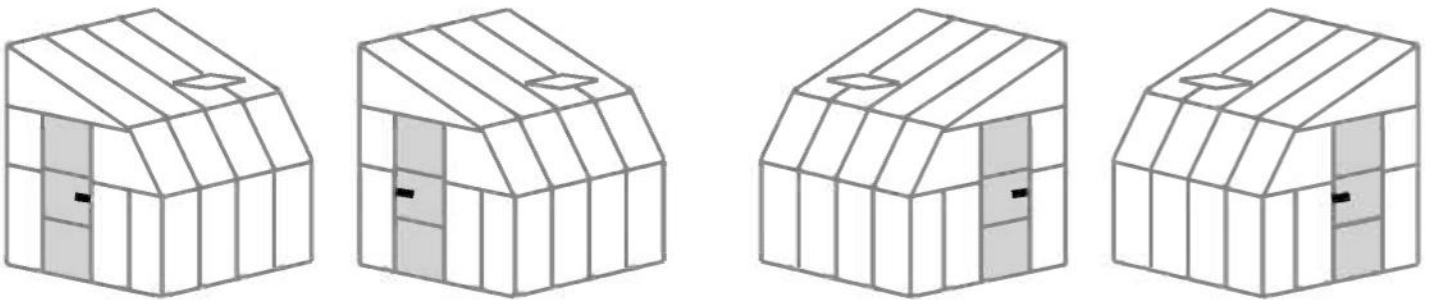


Door assembly can be done from the right or left hand side. Determine which side to place the door. The decision will affect the upcoming steps.

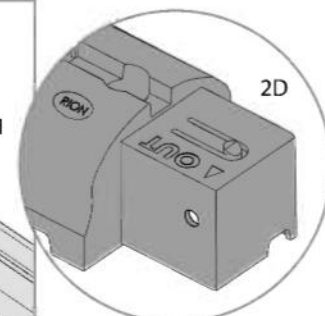
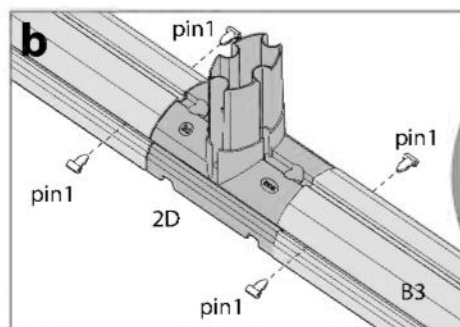
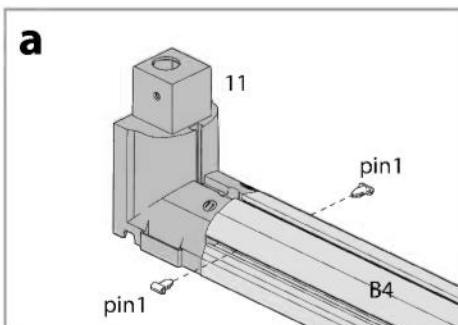


1 Arrange all 2D connectors with the stamped word "OUT" facing out of the product.


item		Qty.
B3		1
B4		1
11		1
2D		1
Pin1		6




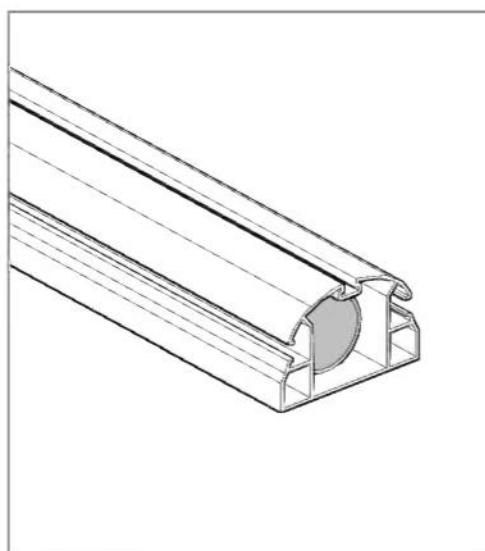
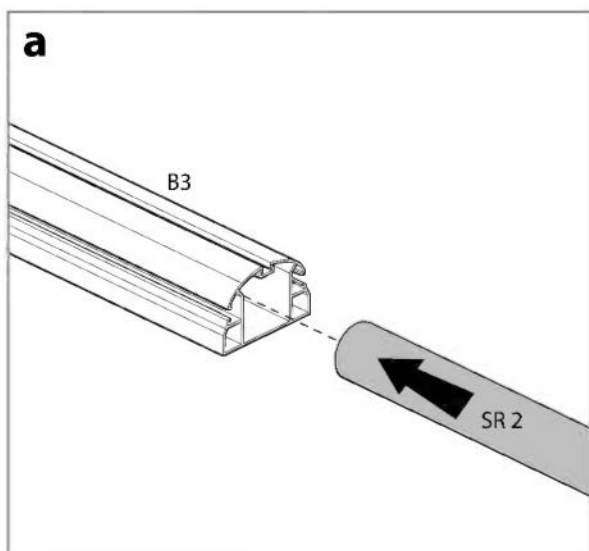
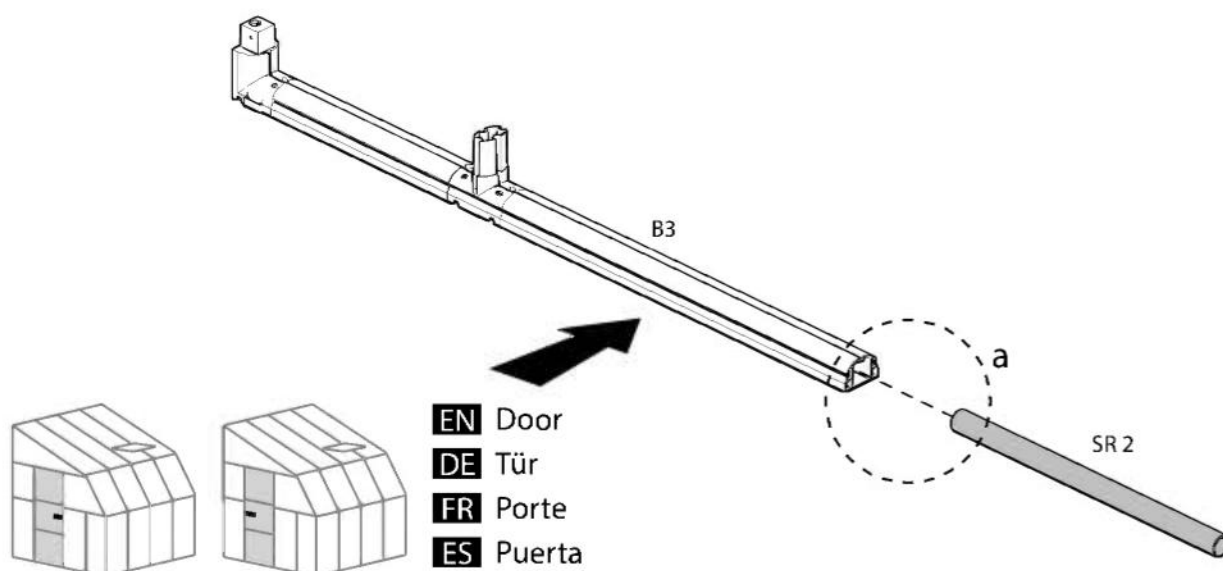
EN Door
DE Tür
FR Porte
ES Puerta










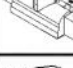
2  Arrange all 2D connectors with the stamped word "OUT" facing out of the product.

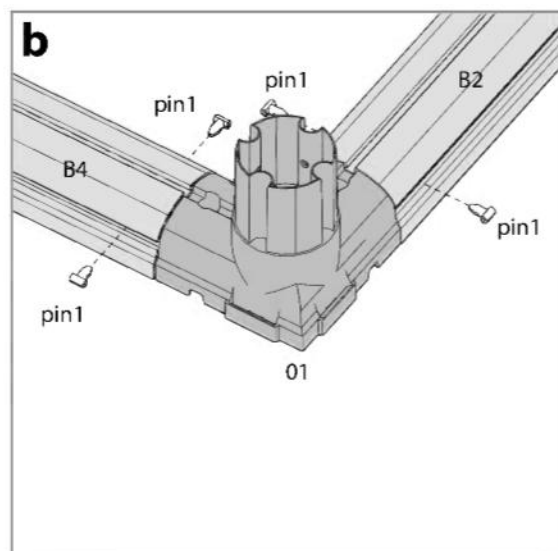
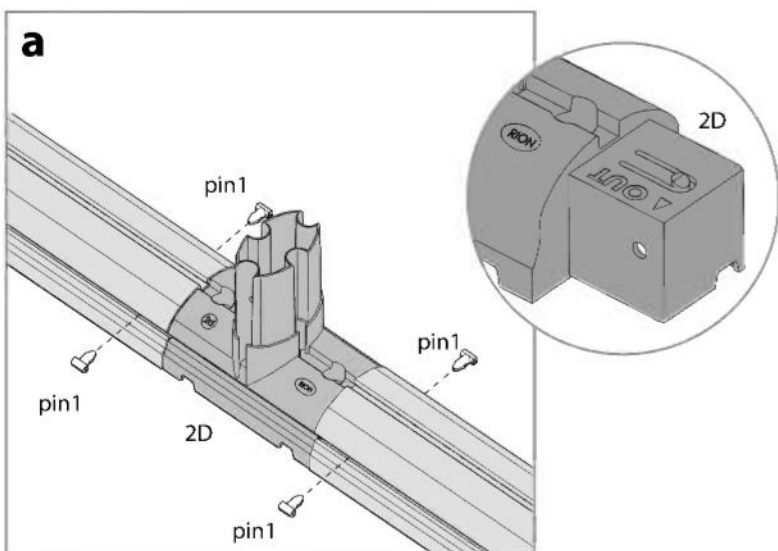
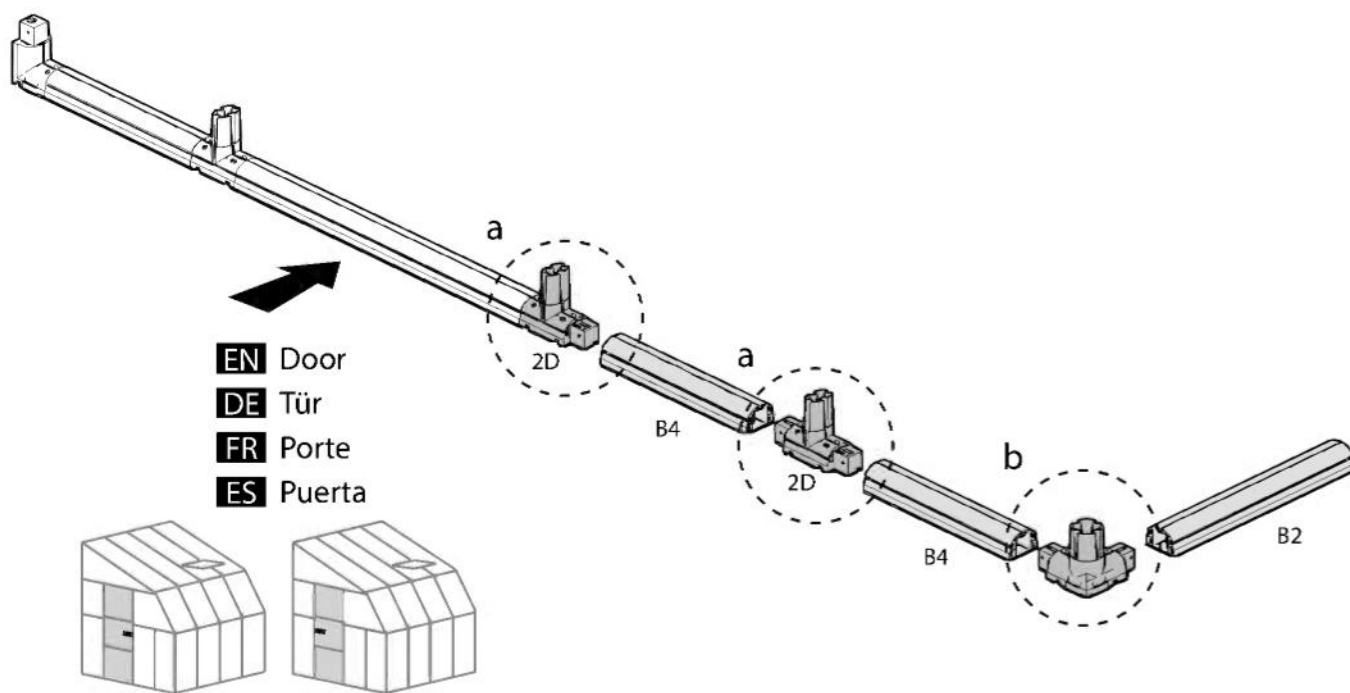
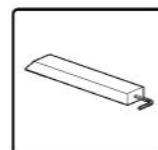
item		Qty.
SR2		1





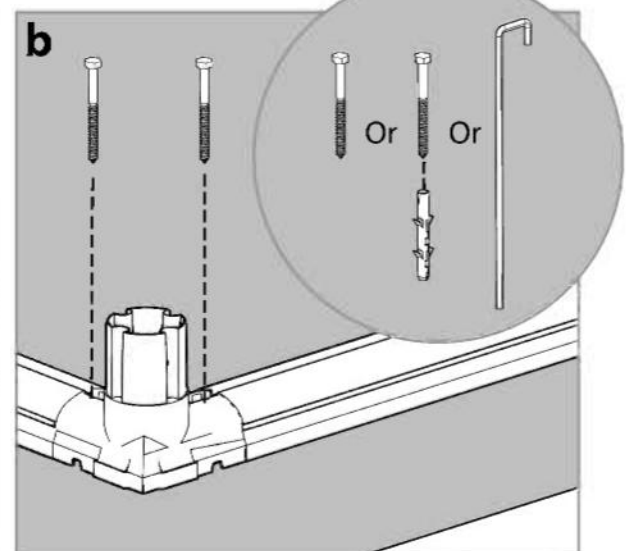
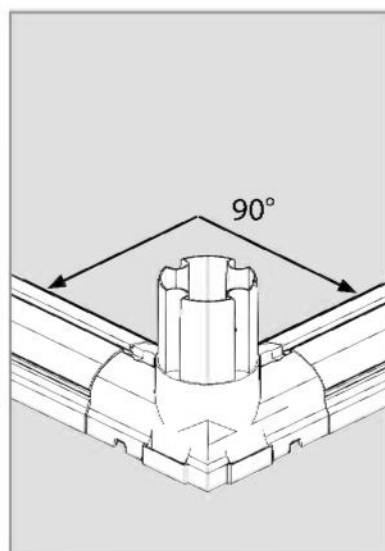
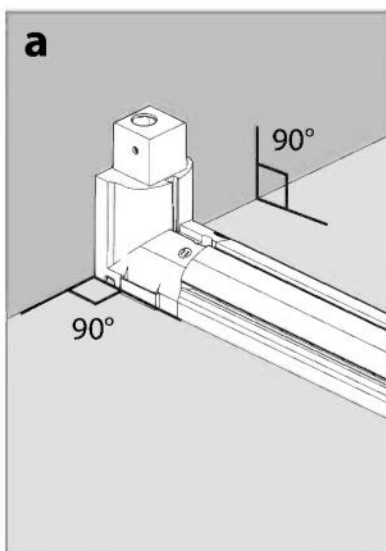
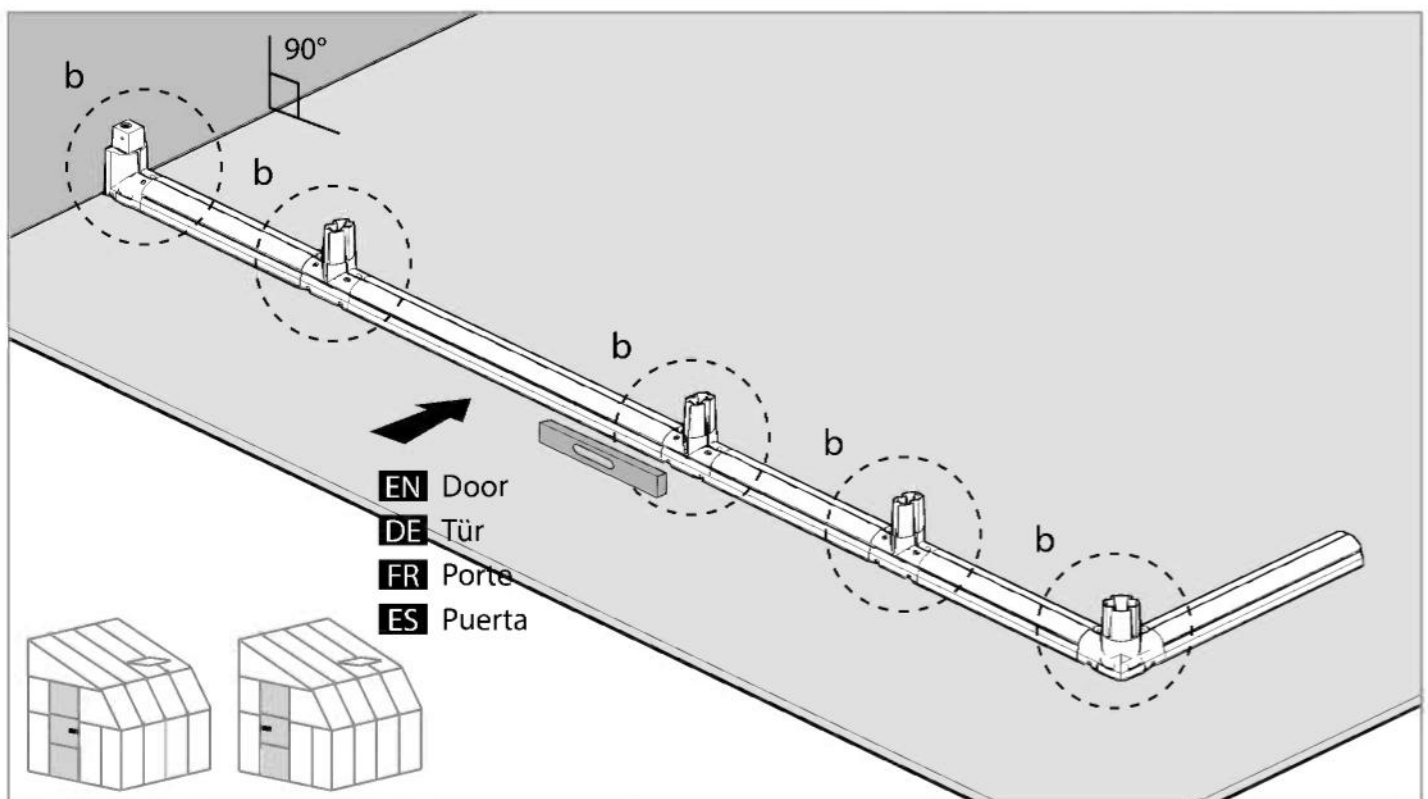
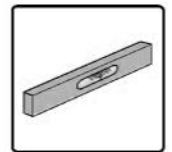
3  Arrange all 2D connectors with the stamped word "OUT" facing out of the product.

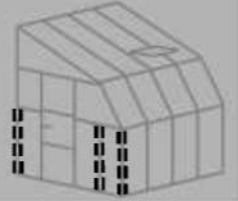
Item		Qty.
B2		1
B4		2
01		1
2D		2
pin1		12





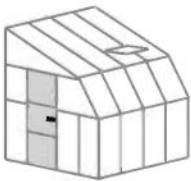
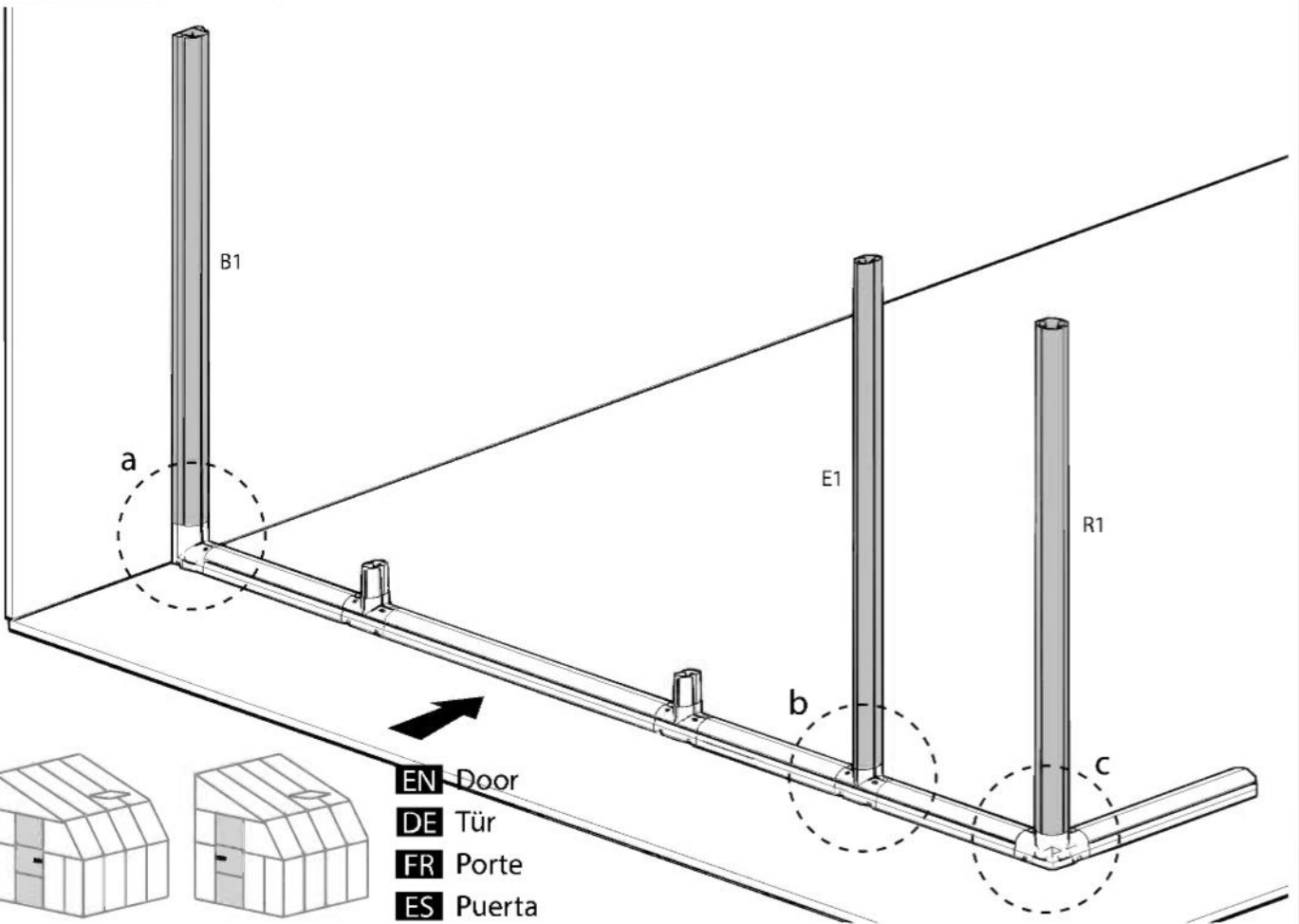
- Make sure the base is square and leveled by measuring the diagonals and level by using a spirit level.
 - Make sure you anchor the base to the ground with suitable screws / screws + plugs / spikes (not supplied) in accordance with your chosen foundation.
- 4** • The wall to which you are securing your product onto must be at a 90° to the foundation.



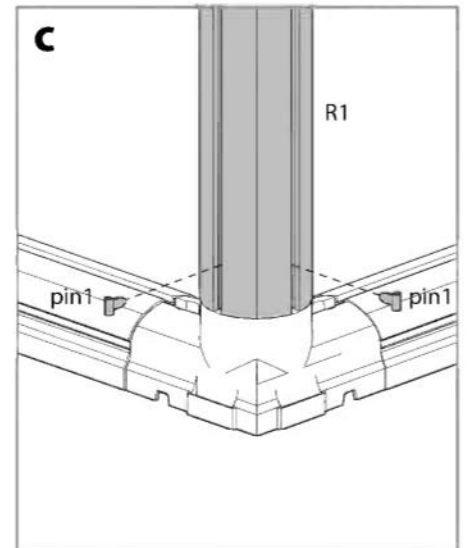
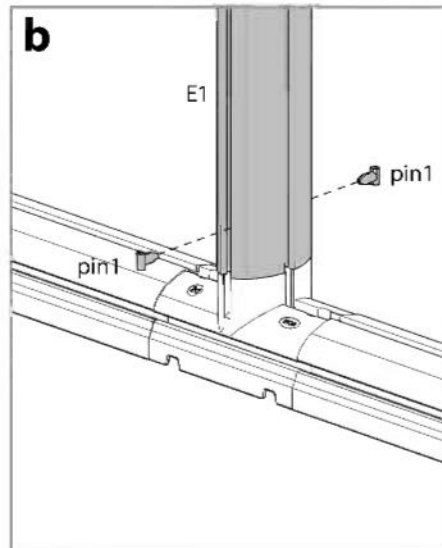
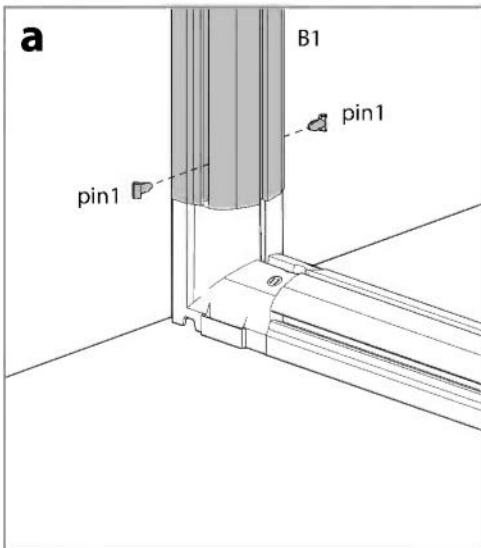


Item		Qty.
B1		1
E1		1




Item		Qty.
R1		1
pin1		6





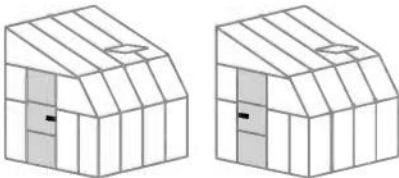
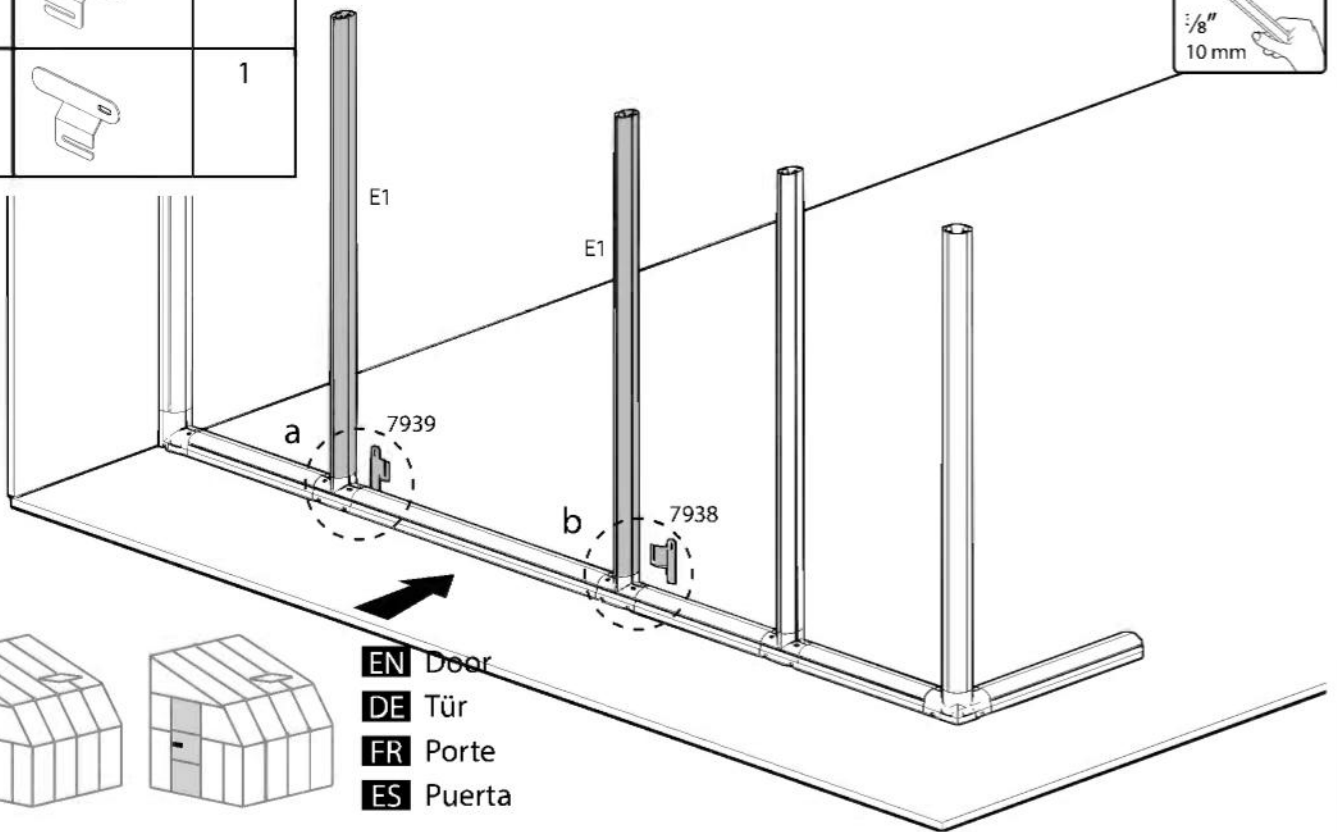
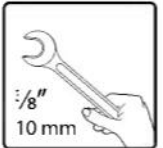
- EN** Door
- DE** Tür
- FR** Porte
- ES** Puerta



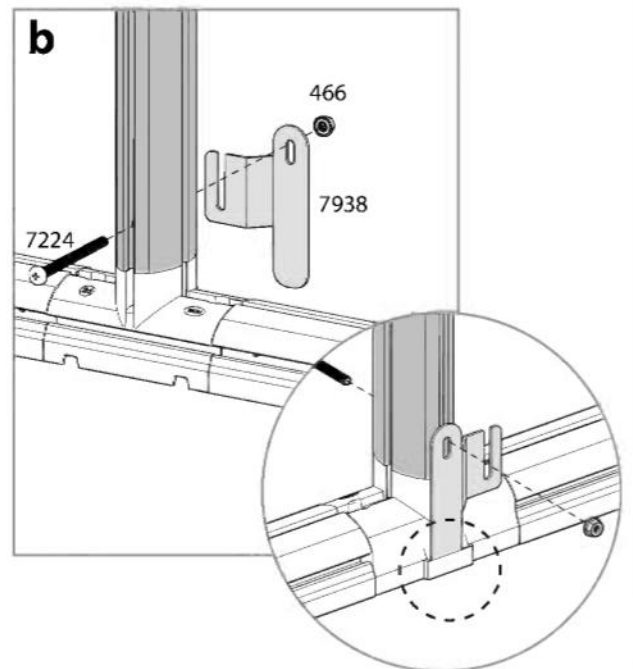
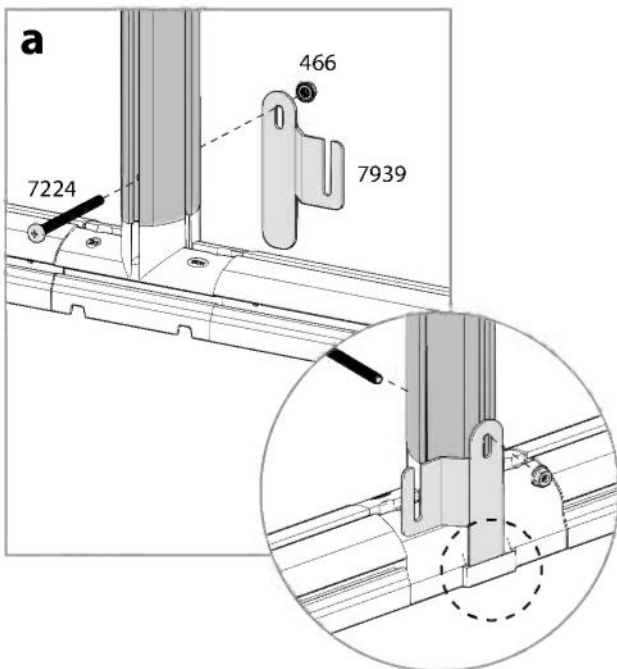


Item		Qty.
E1		2
7938		1
7939		1

Item		Qty.
7224		2
466		2



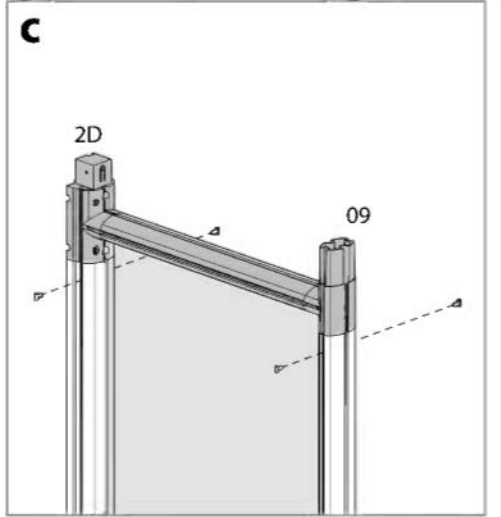
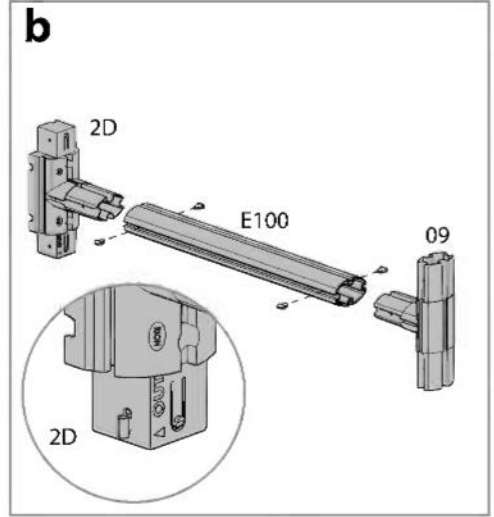
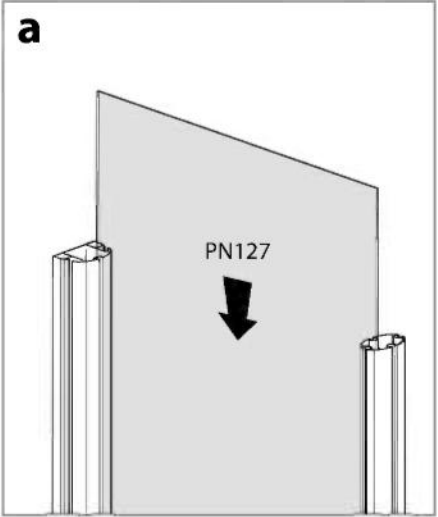
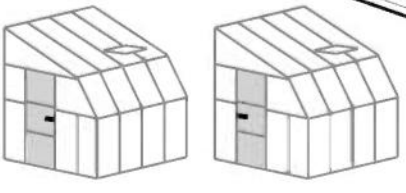
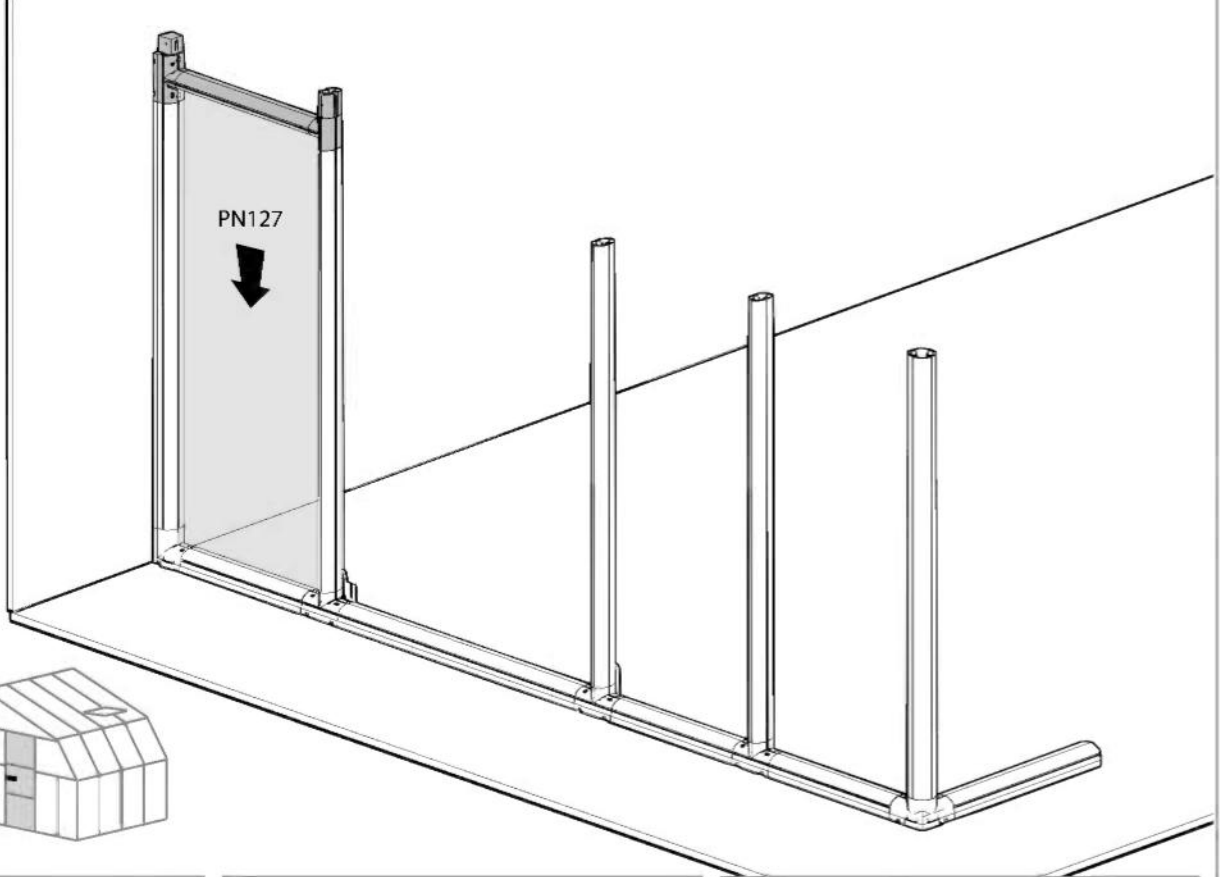
EN Door
DE Tür
FR Porte
ES Puerta

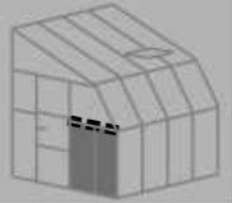




Item		Qty.
PN127		1
E100		1
2D		1

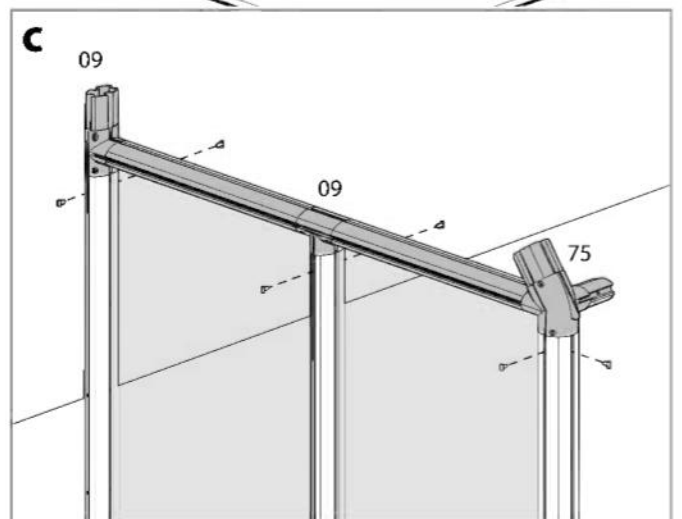
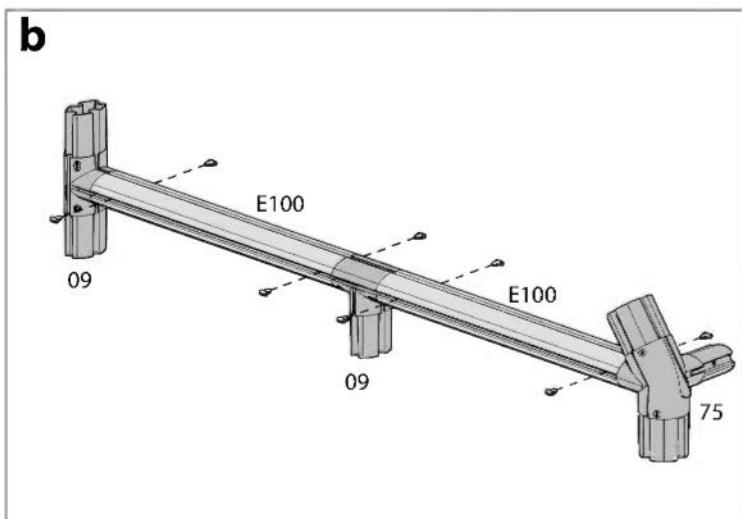
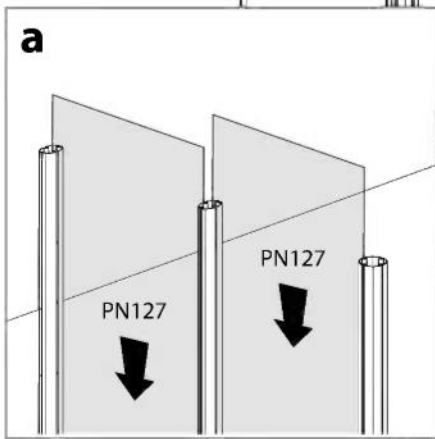
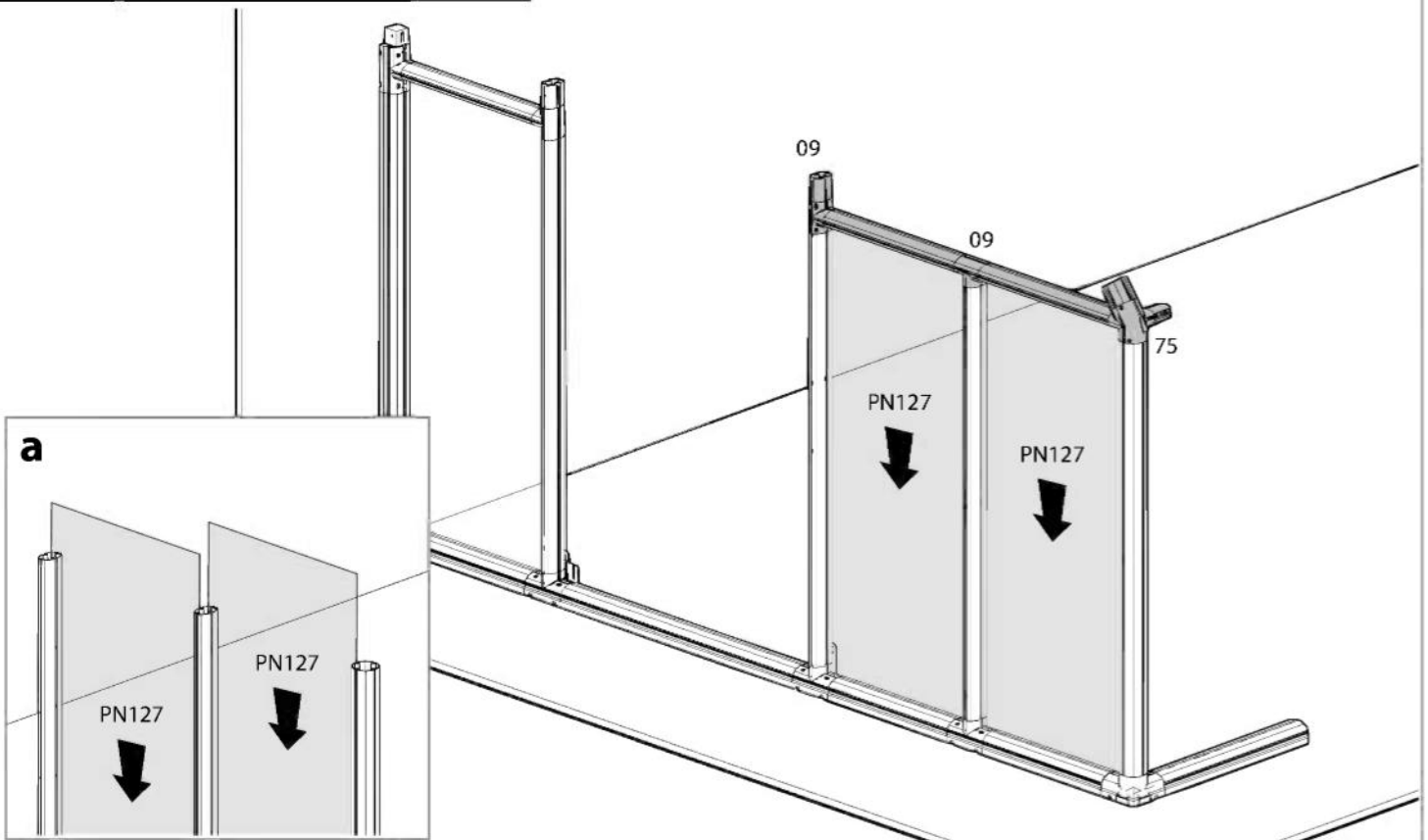
Item		Qty.
09		1
pin1		8





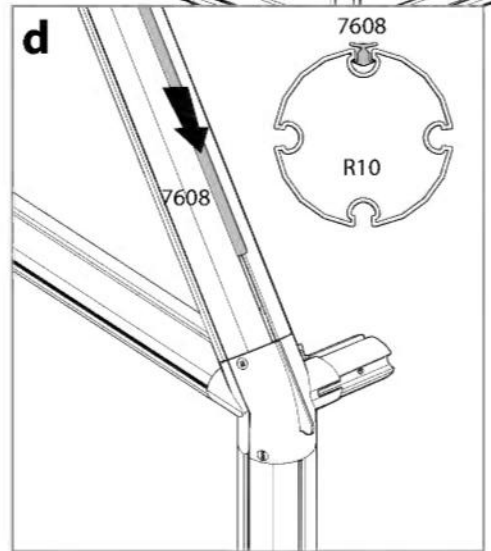
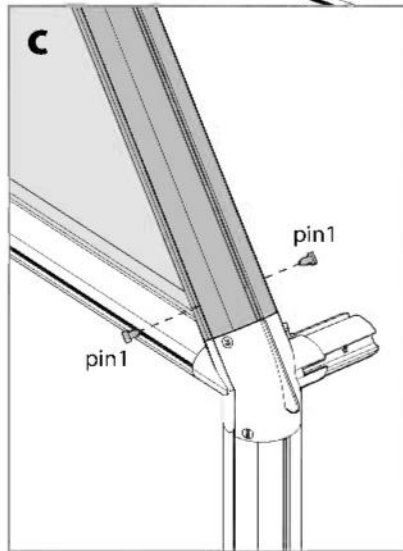
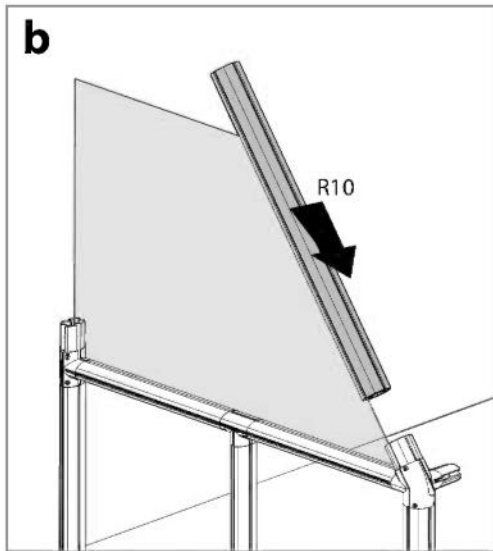
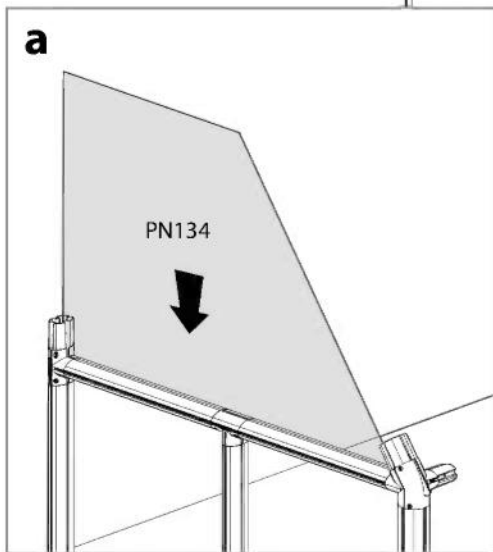
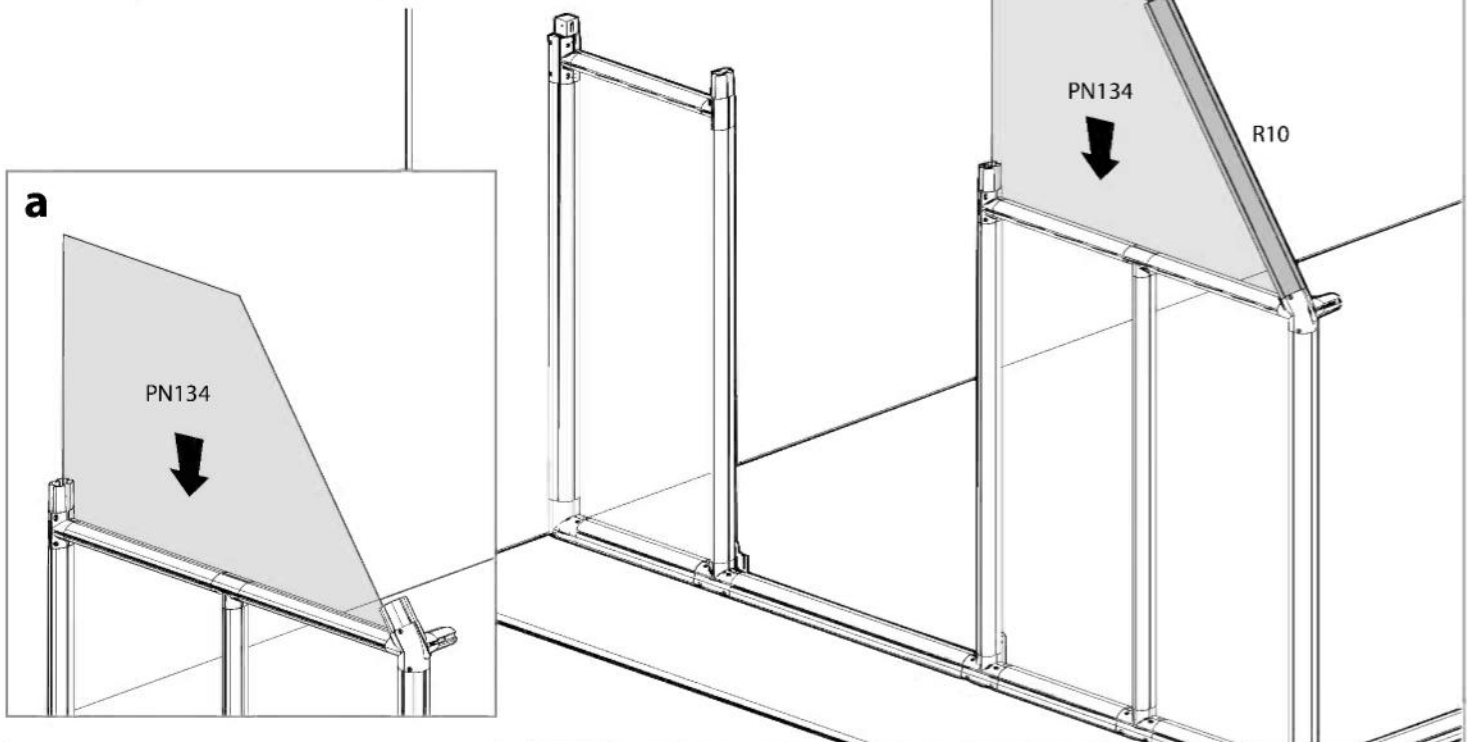
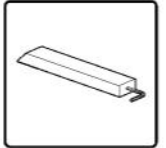
Item		Qty.
PN127		2
E100		2
75		1

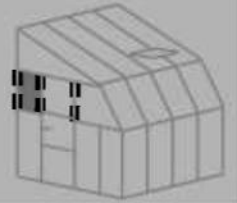
Item		Qty.
09		2
pin1		14









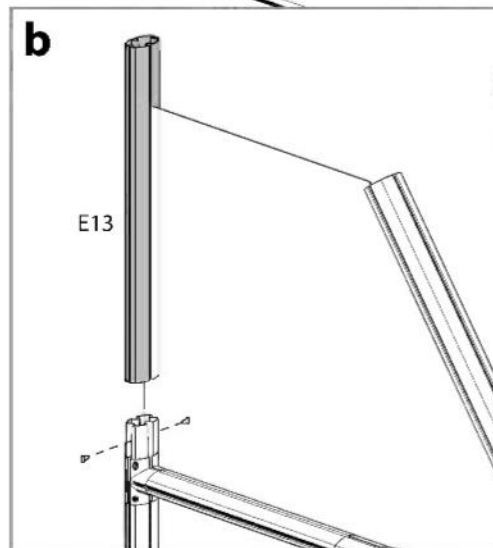
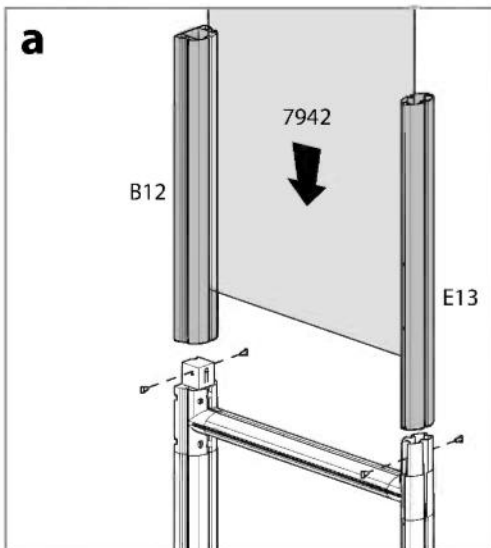
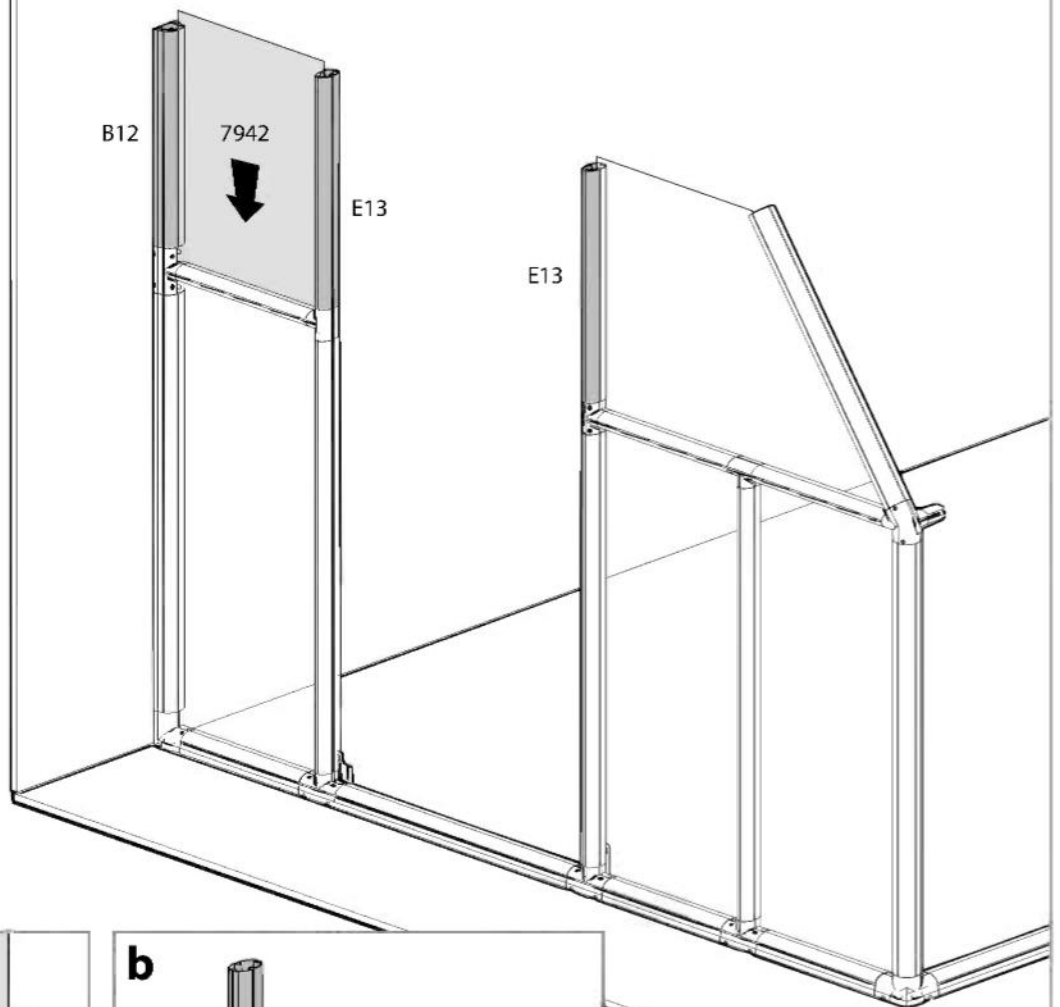
Item		Qty.
PN134		1
R10		1
7608		1
pin1		2



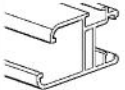




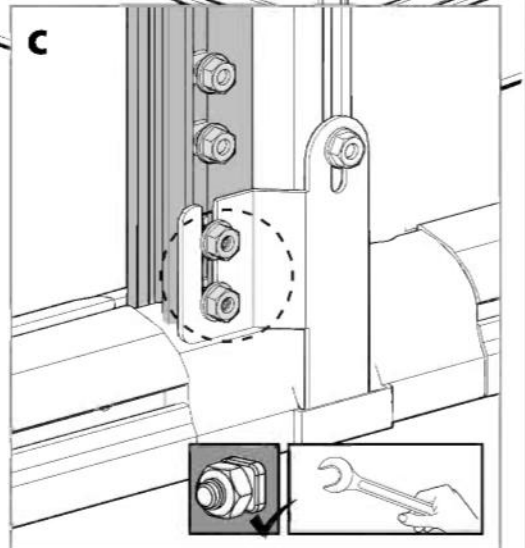
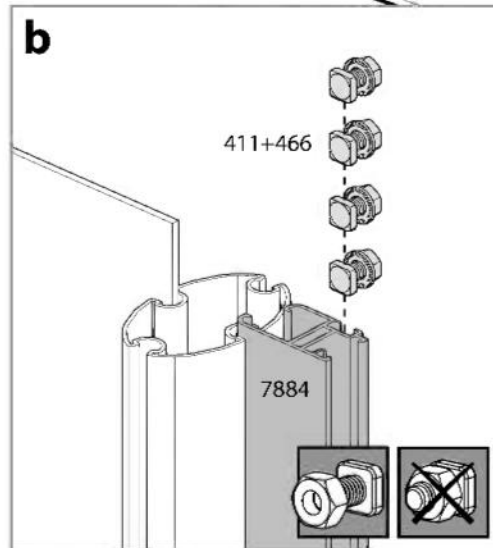
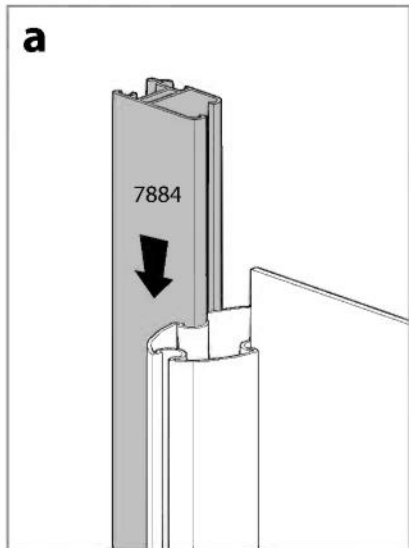
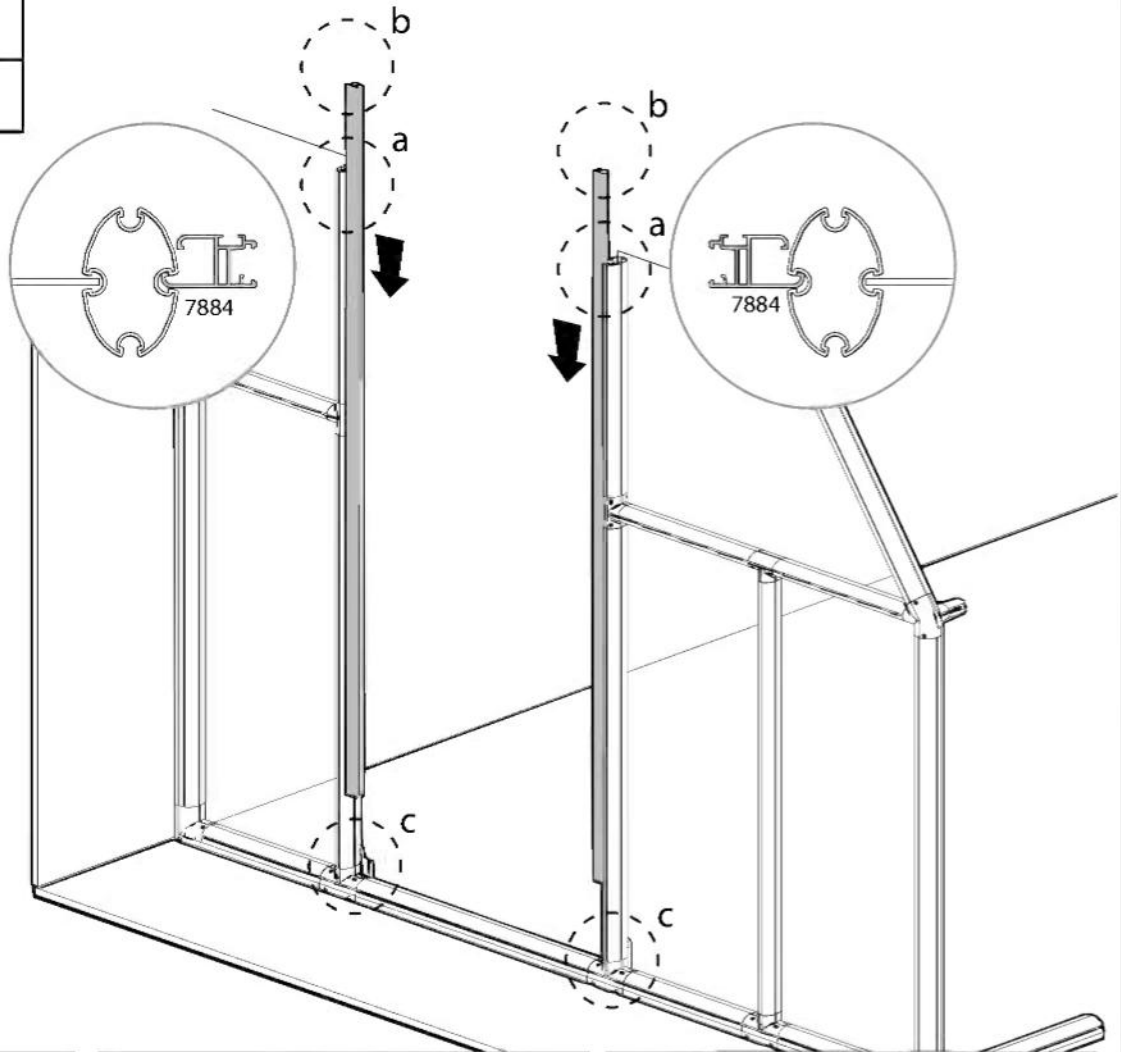
Item		Qty.
B12		1
E13		2

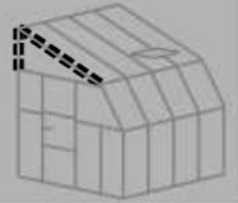
Item		Qty.
7942		1
pin1		6










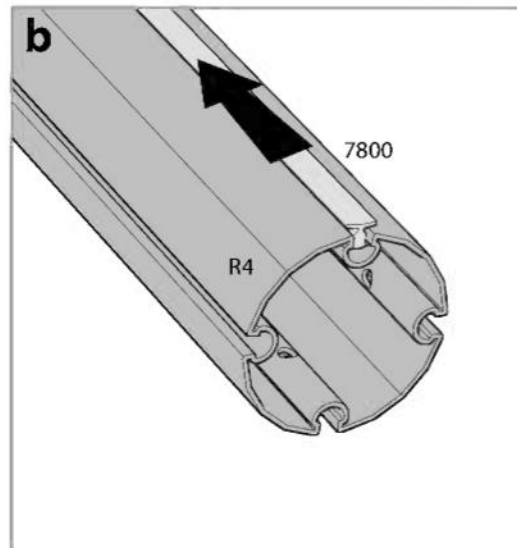
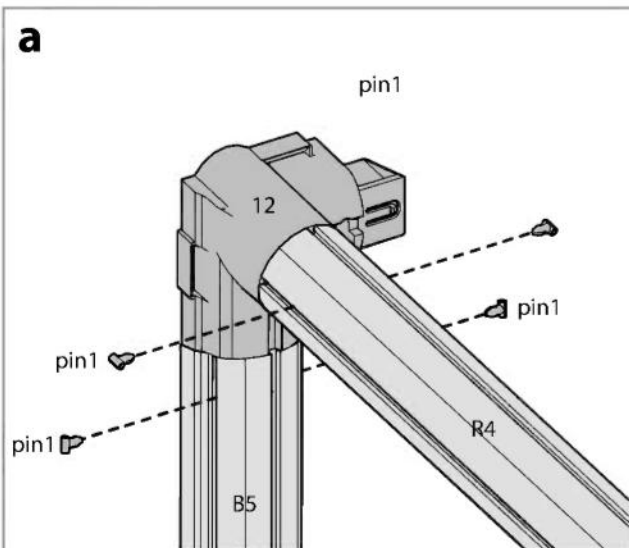
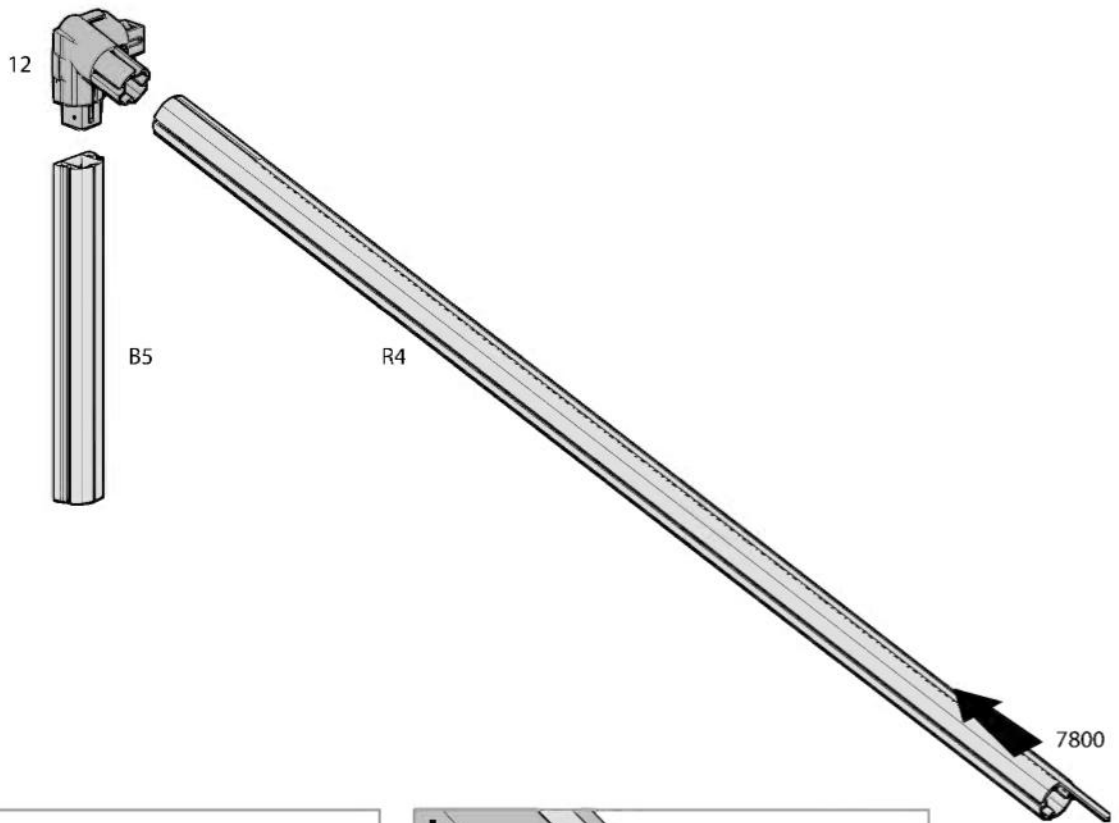
Item		Qty.
7884		2
411		8
466		8





Item		Qty.
R4		1
B5		1
7800		1

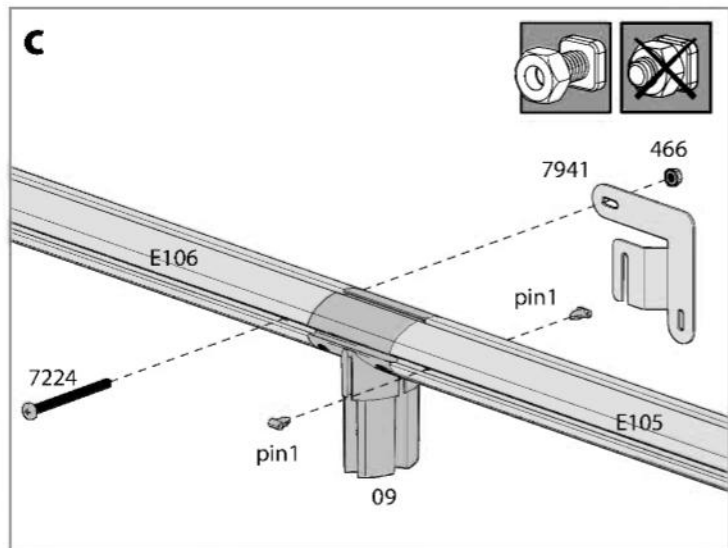
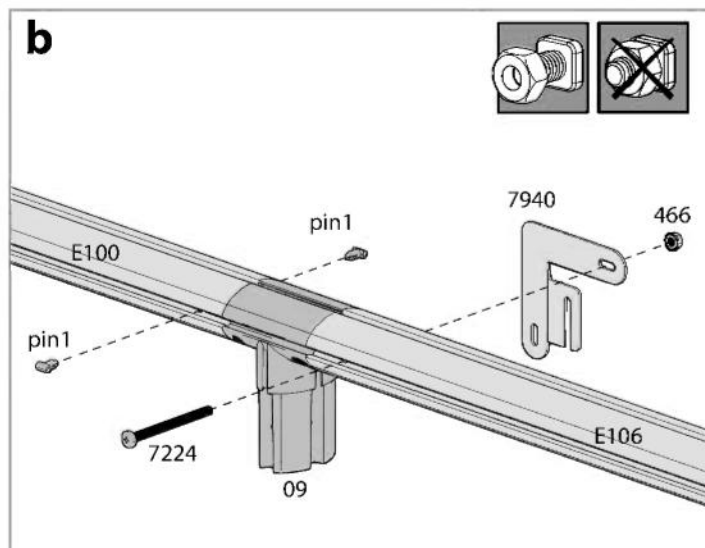
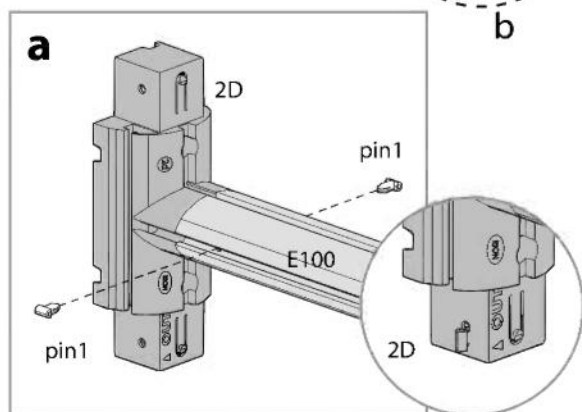
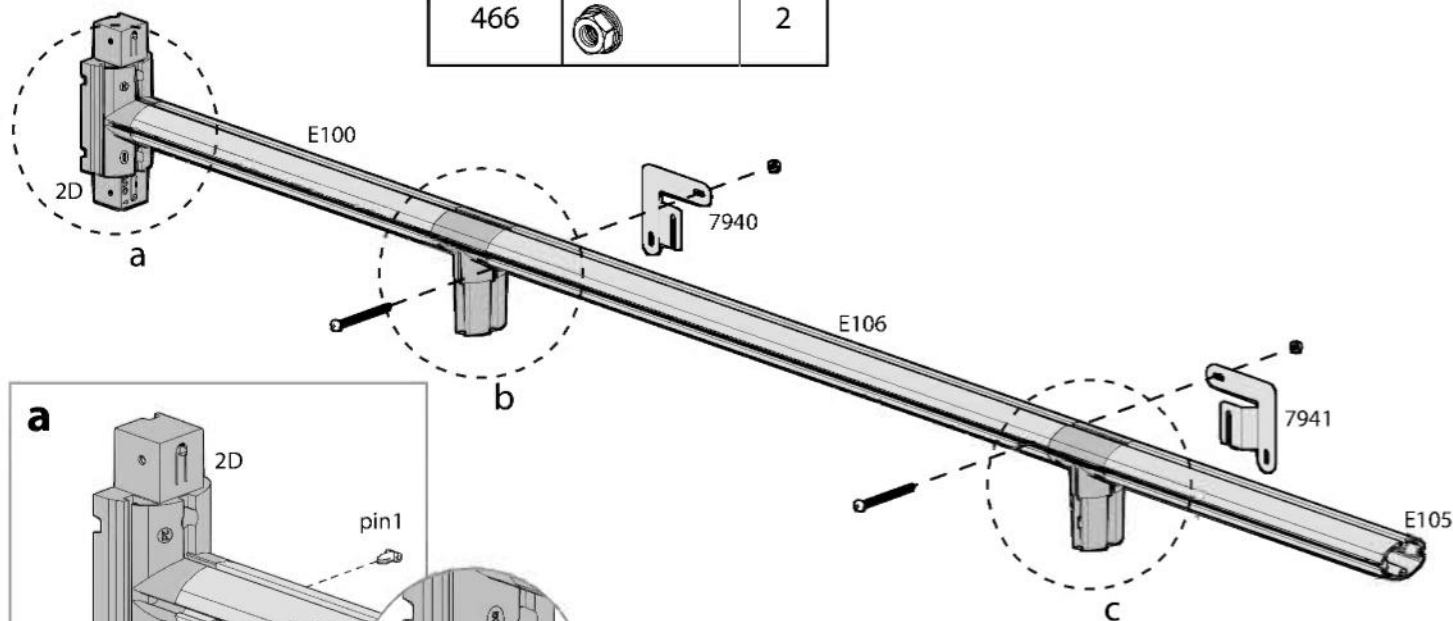
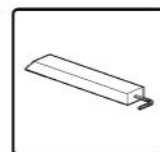
Item		Qty.
12		1
pin1		4

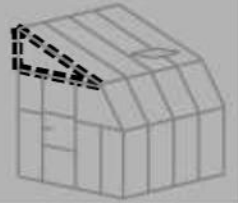



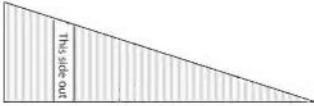



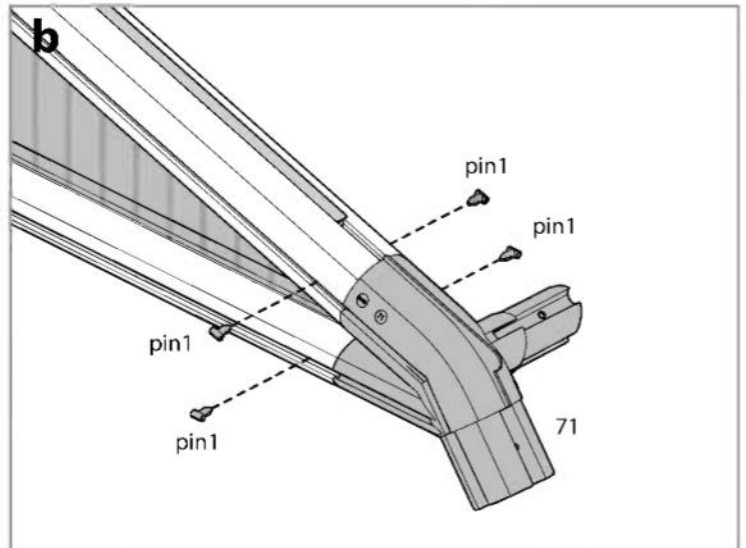
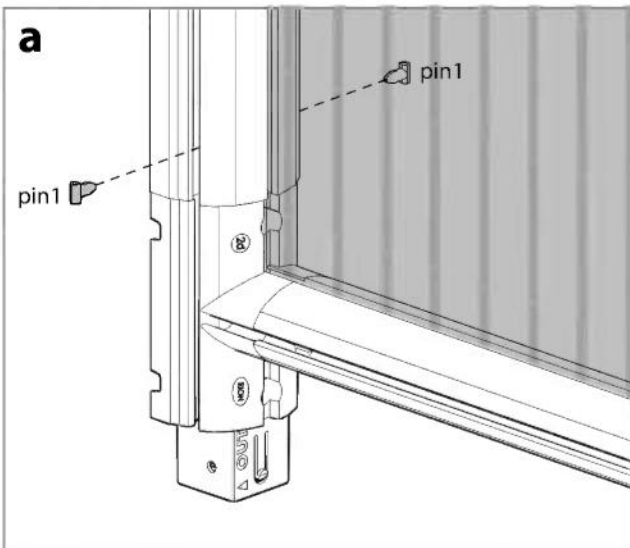
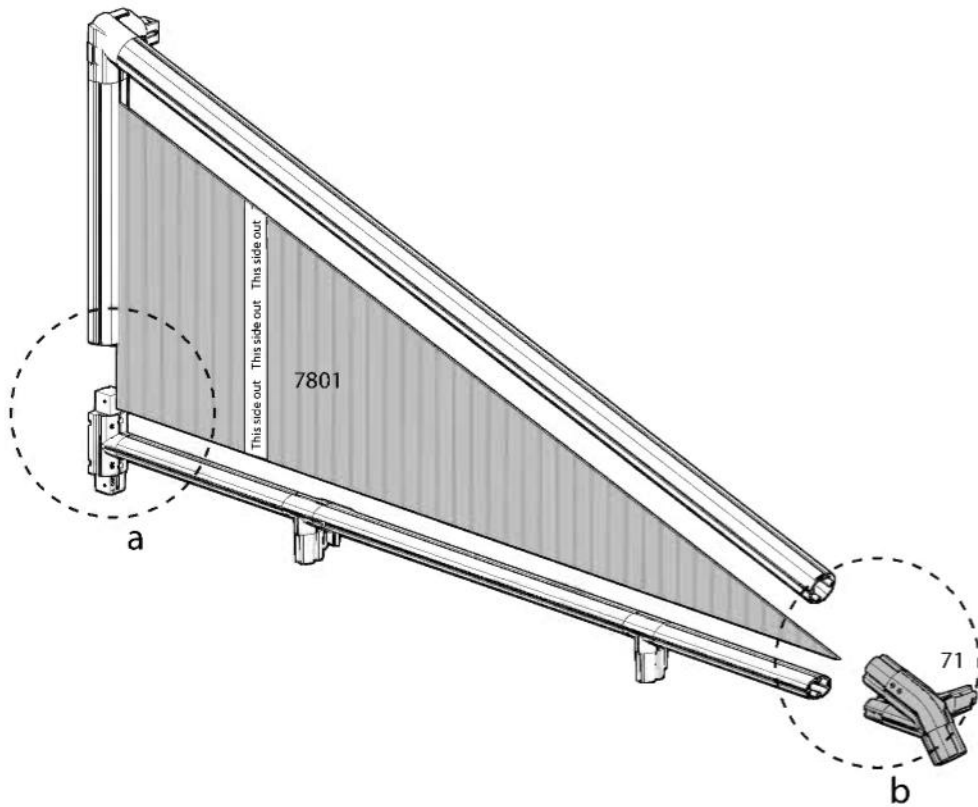
Item		Qty.
E106		1
E105		1
E100		1
2D		1
09		2

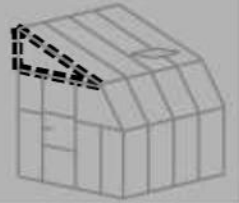
Item		Qty.
pin1		6
7941		1
7940		1
7224		2
466		2



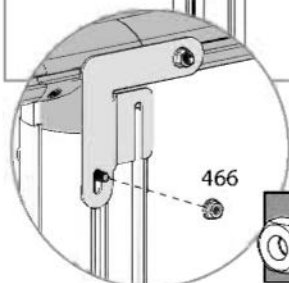
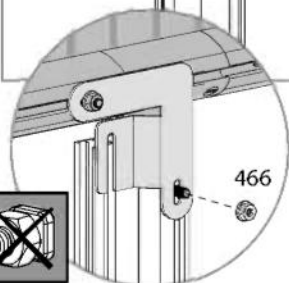
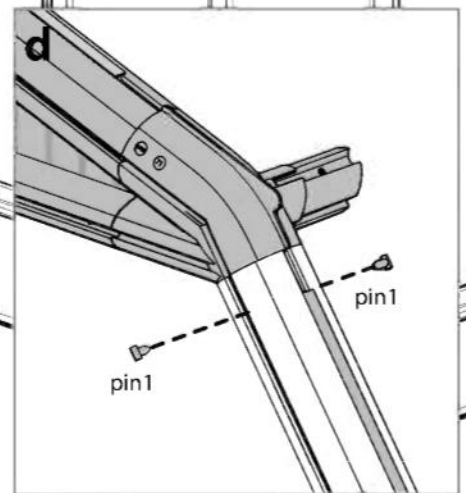
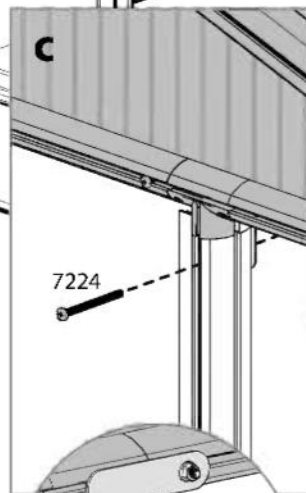
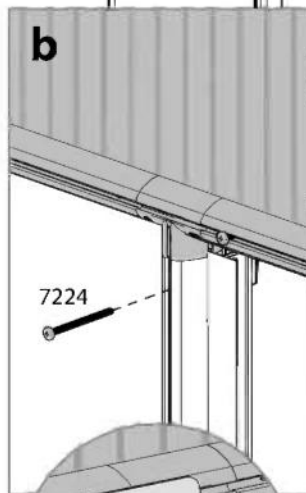
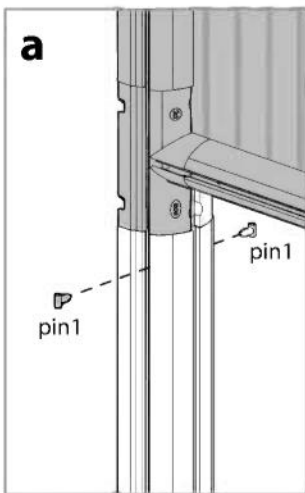
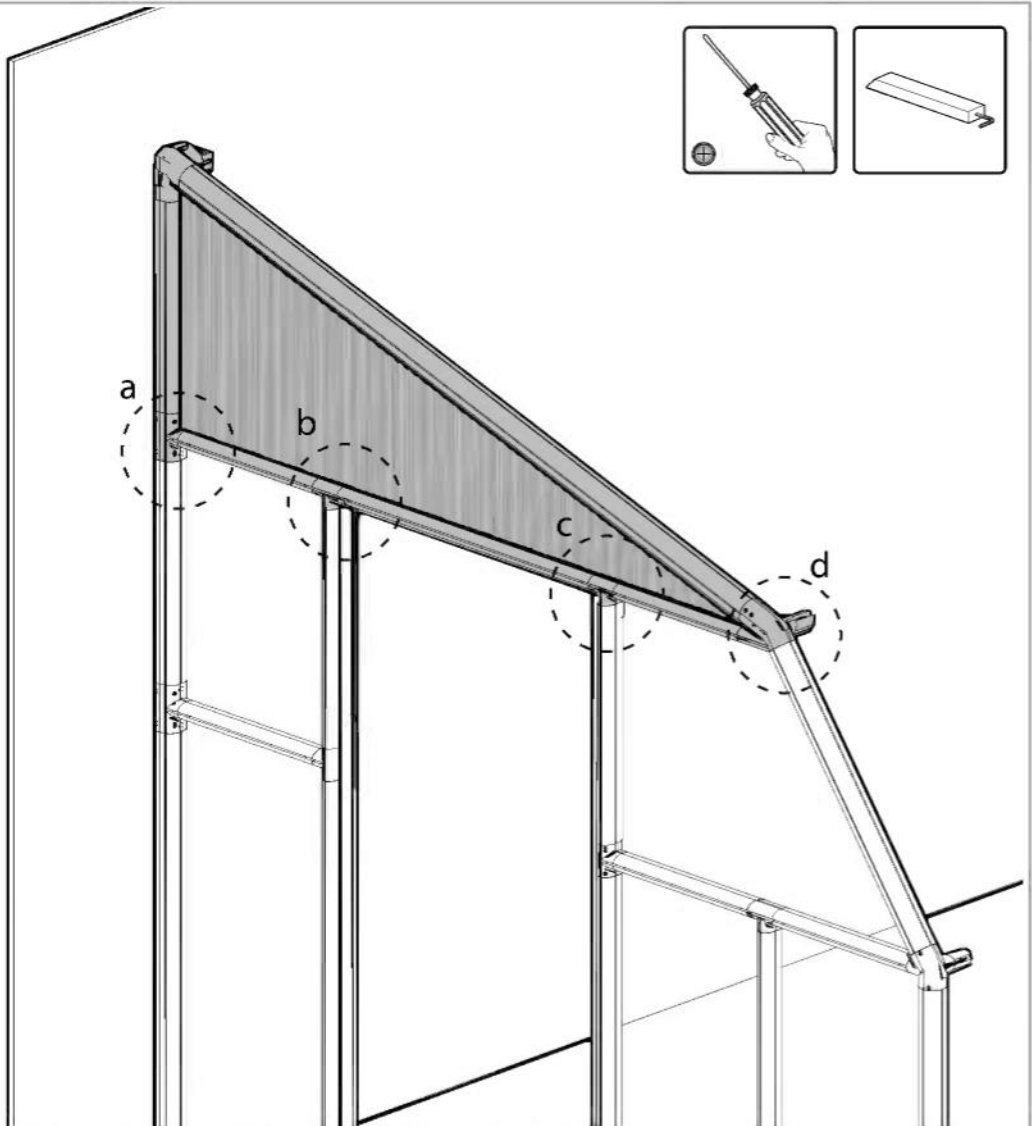


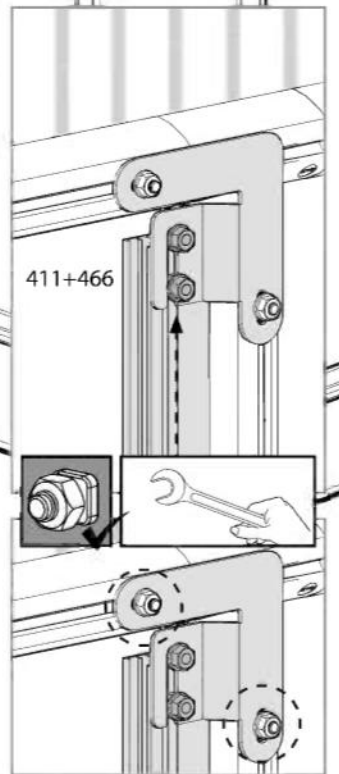
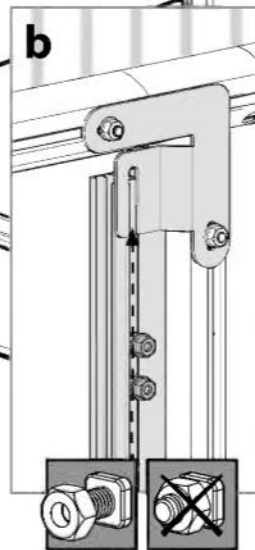
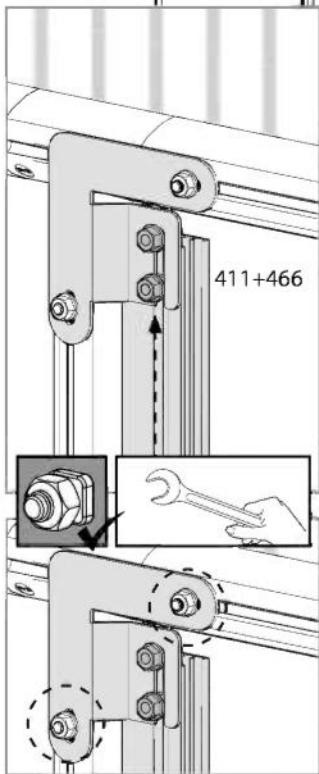
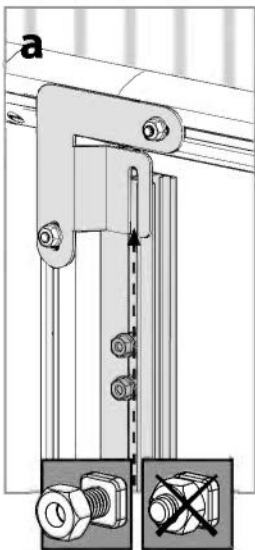
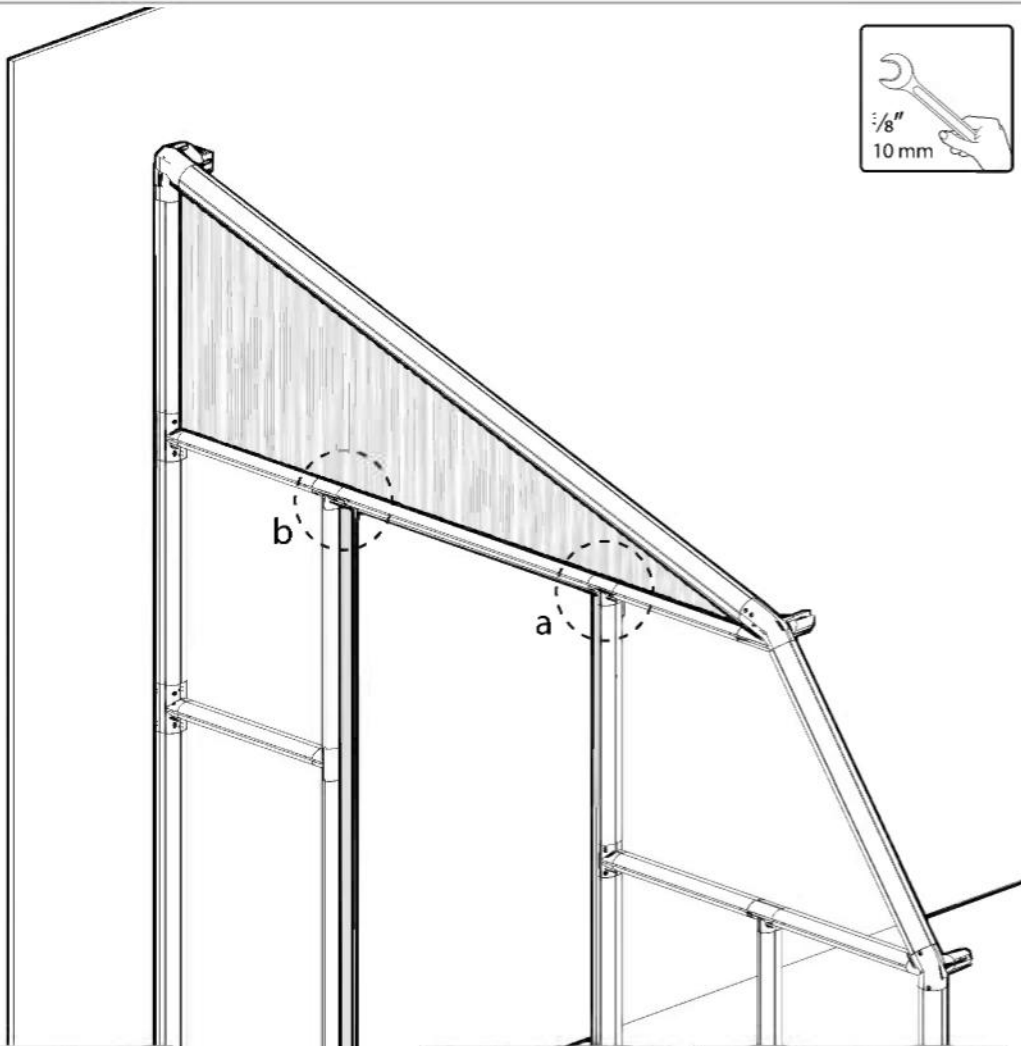
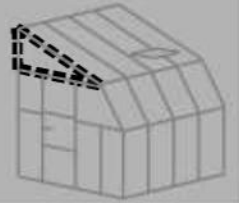
Item		Qty.
71		1
7801		1
pin1		6





Item		Qty.
pin1		4
7224		2
466		2








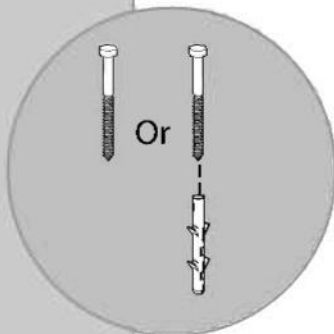
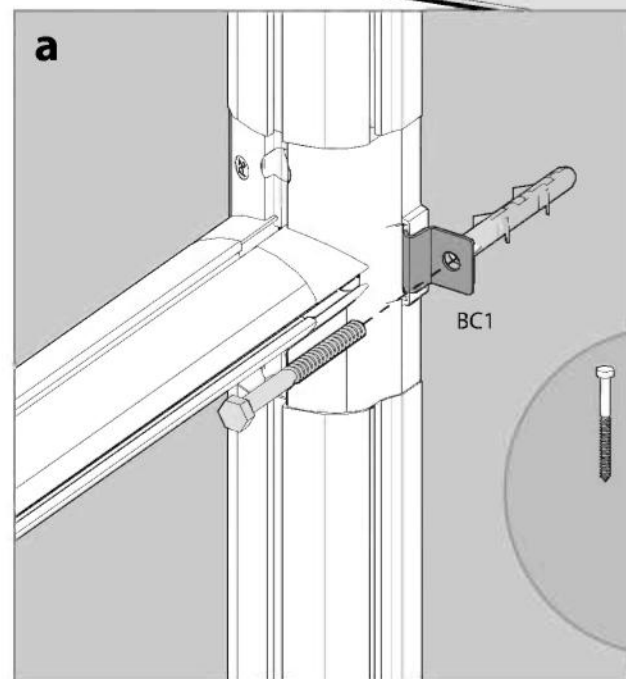
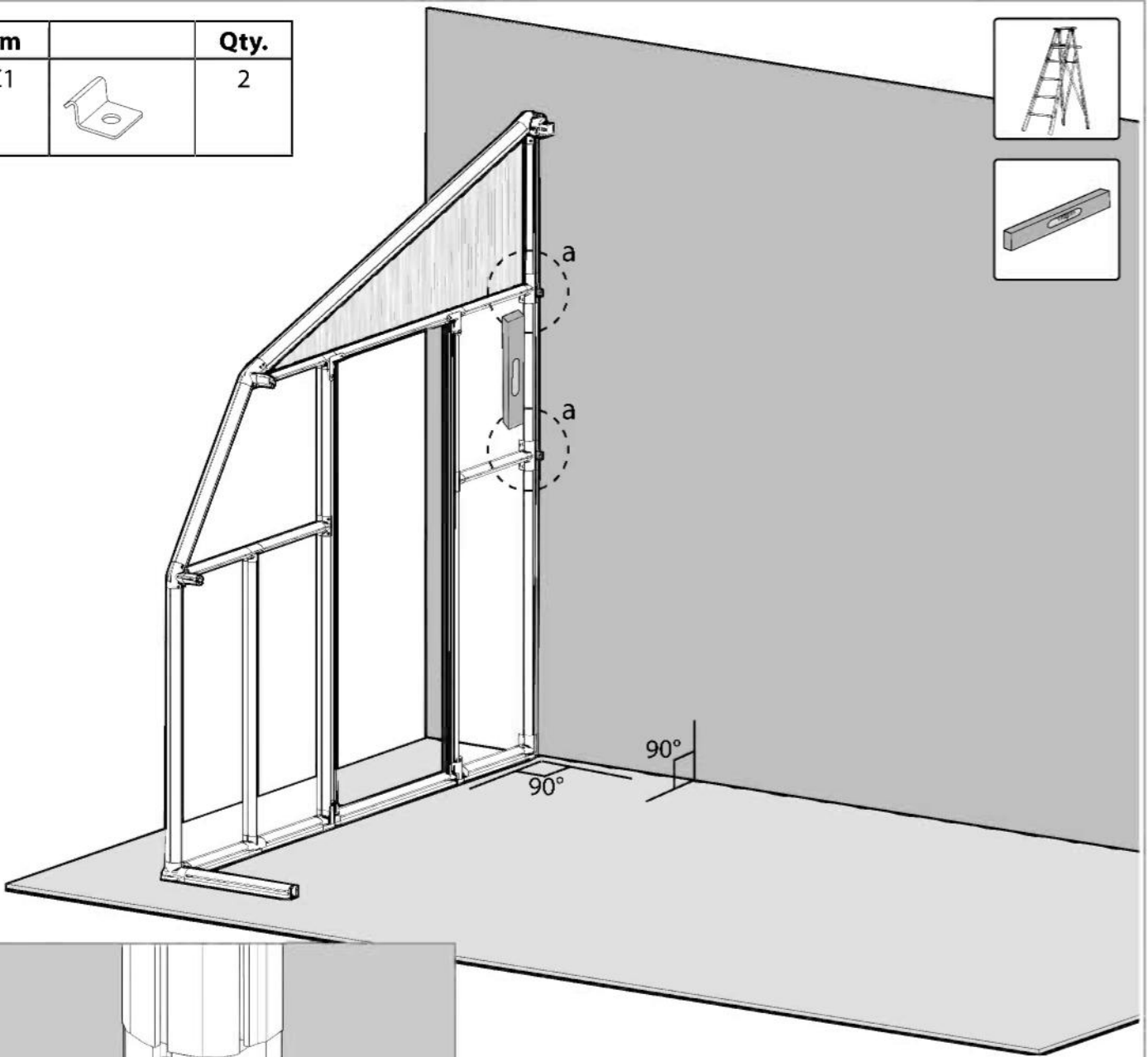
- Make sure that the frame is perfectly straightened by using a spirit level.
- Make sure that the frame is leveled and anchor it to the wall with suitable screws / screws + plugs / spikes (not supplied, excluding part # BC1) in accordance with your wall surface.



17

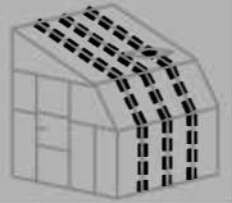
- The wall to which you are securing your product onto must be at a 90° to the foundation.

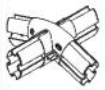




Item		Qty.
BC1		2

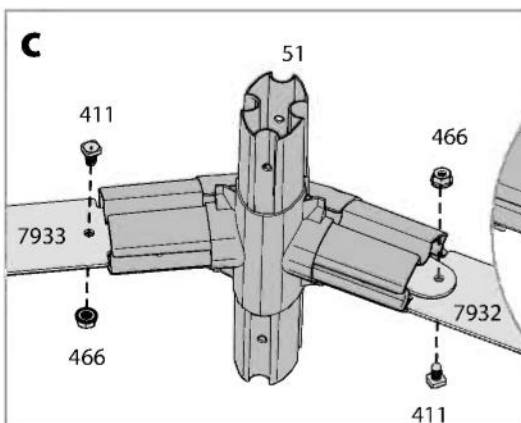
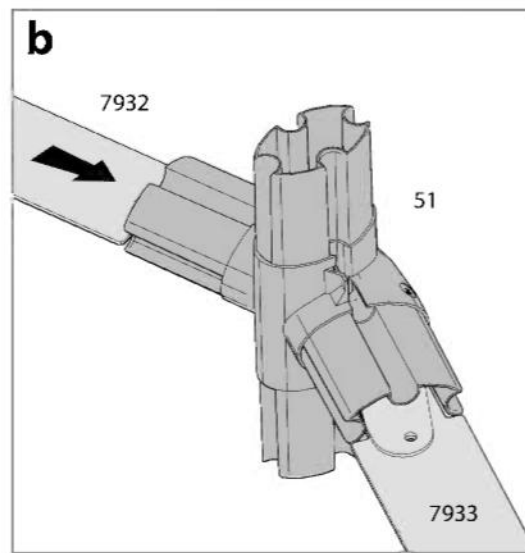
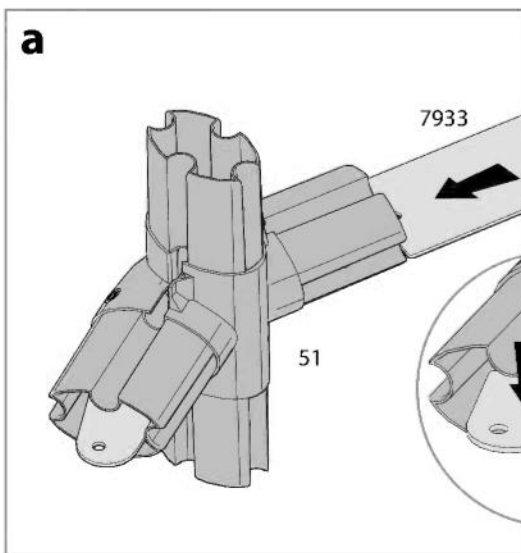
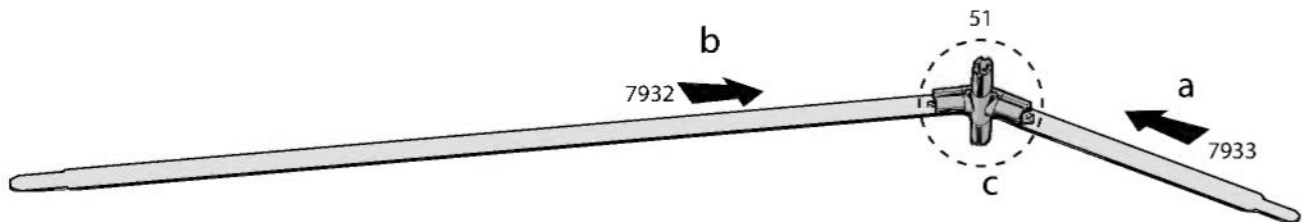
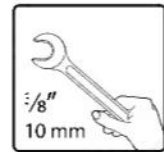
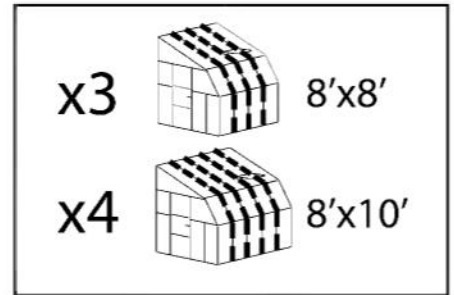


18 




- Make sure that all the metal profiles are inserted inside the plastic profiles.
- Repeat each step based on your product's size and the number of arch profiles needed to be assembled as illustrated.




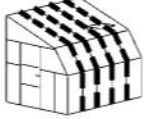
Item		Qty.
51		1
7932		1
7933		1
411		2
466		2

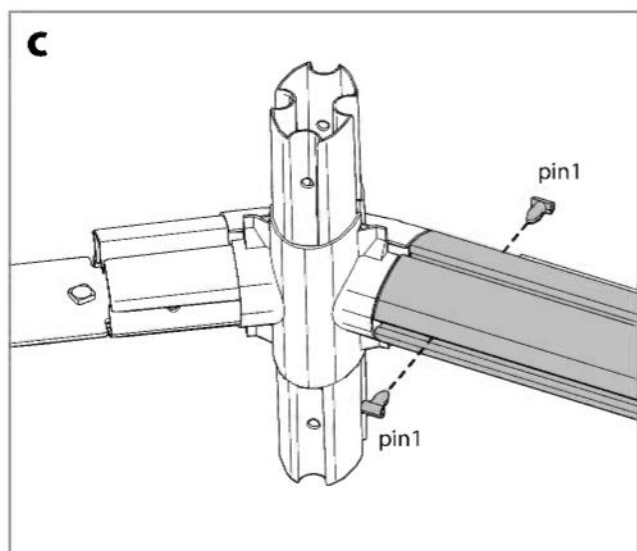
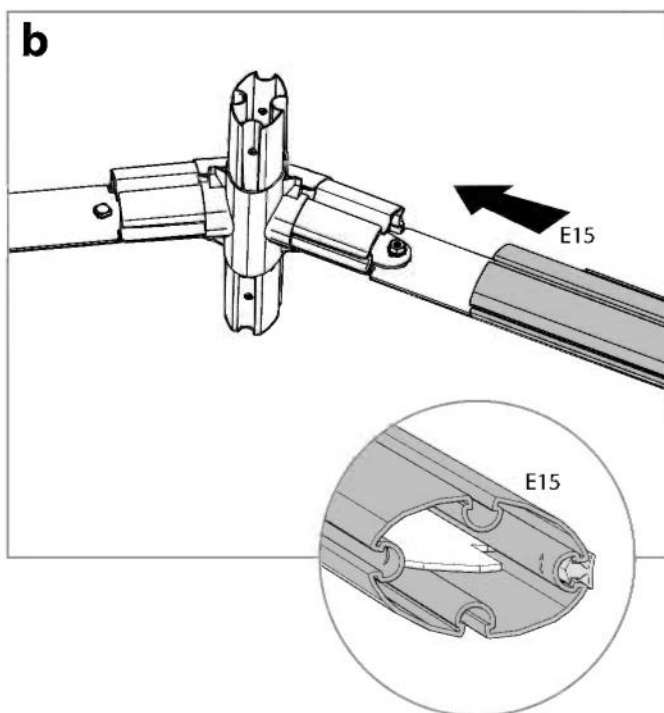
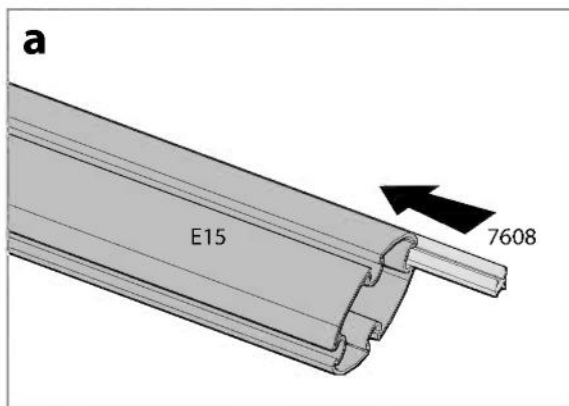
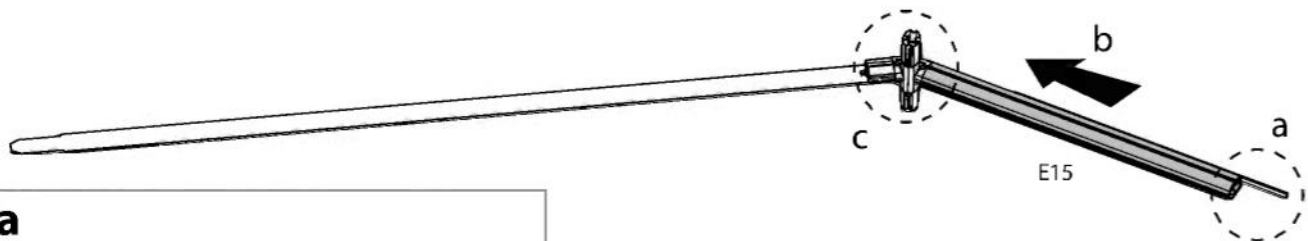


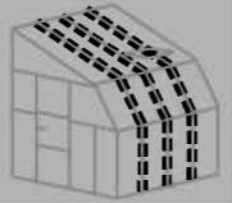


Item		Qty.
pin1		2
E15		1
7608		1

x3  8'x8'

x4  8'x10'

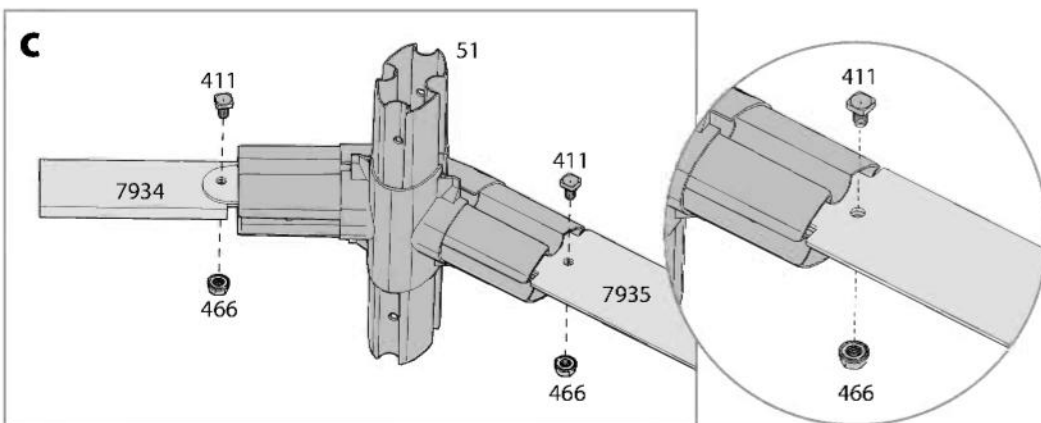
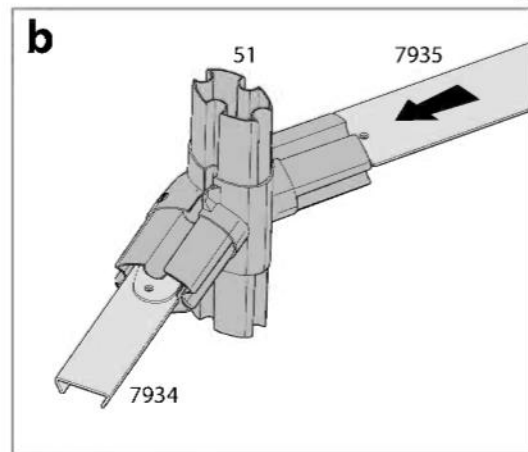
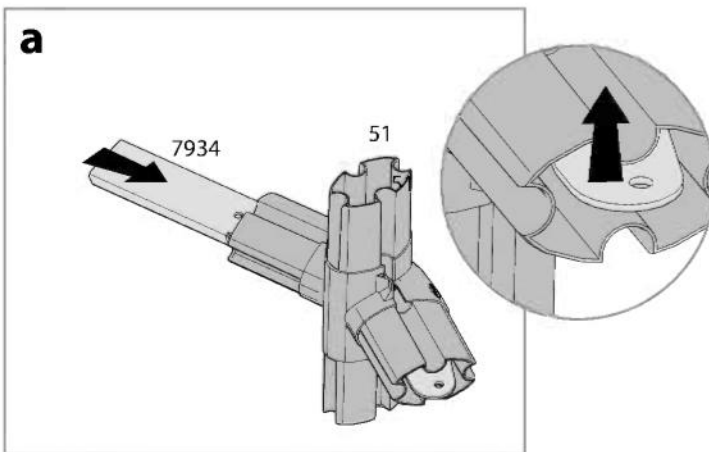
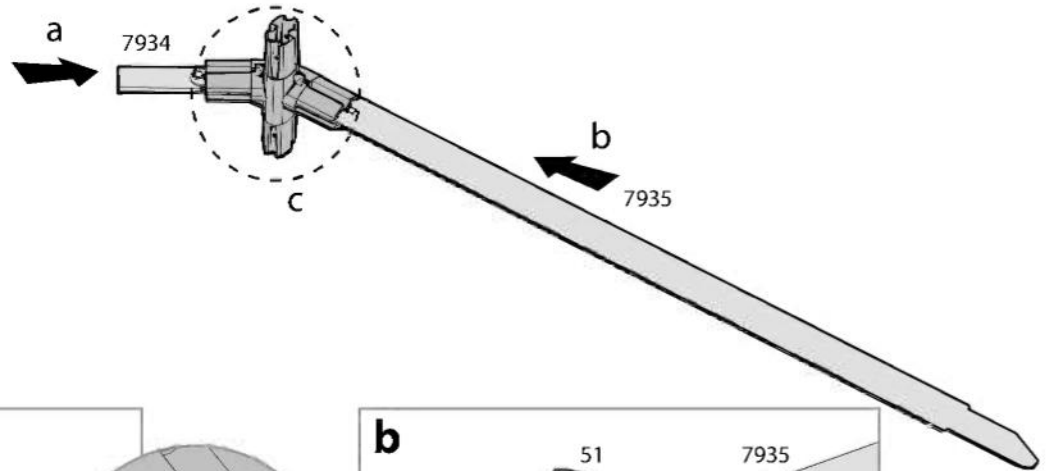


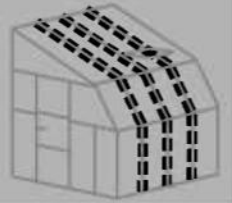



Item		Qty.
51		1
7935		1
7934		1
411		2
466		2


x3 8'x8'


x4 8'x10'

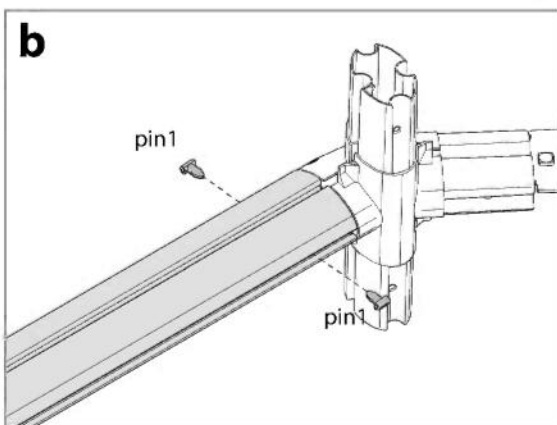
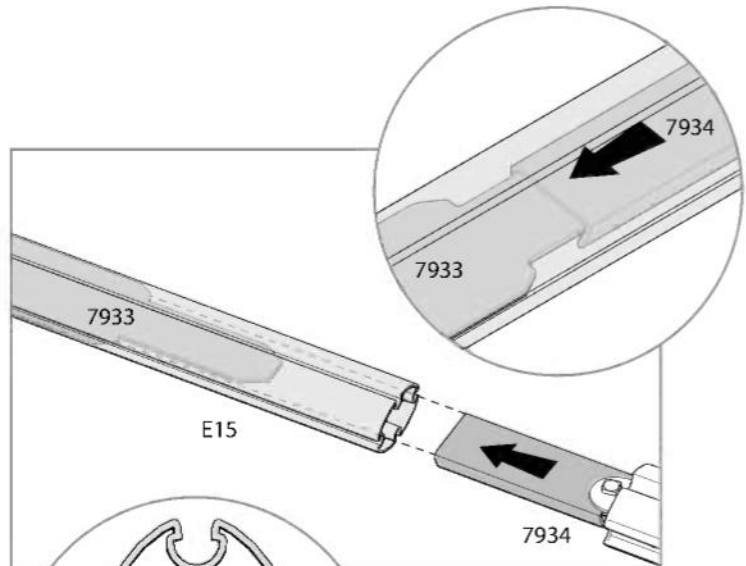
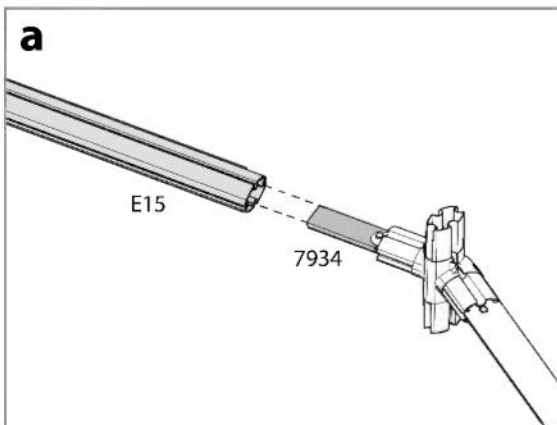
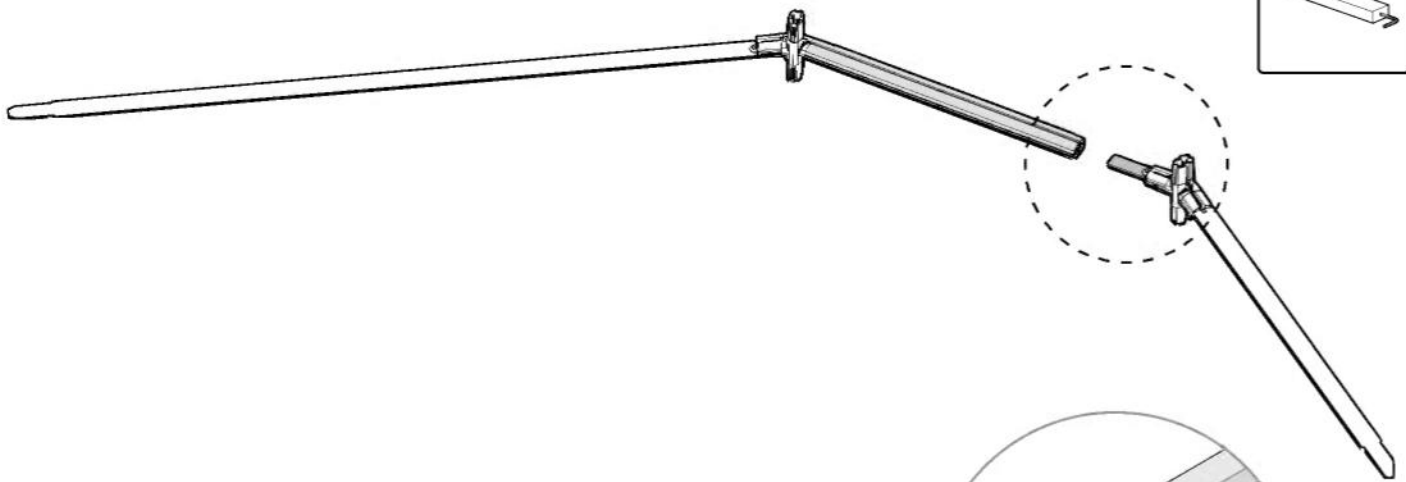




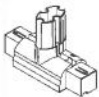


Item		Qty.
pin1		2

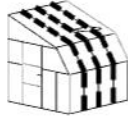
x3  8'x8'

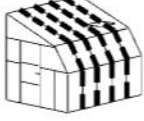
x4  8'x10'

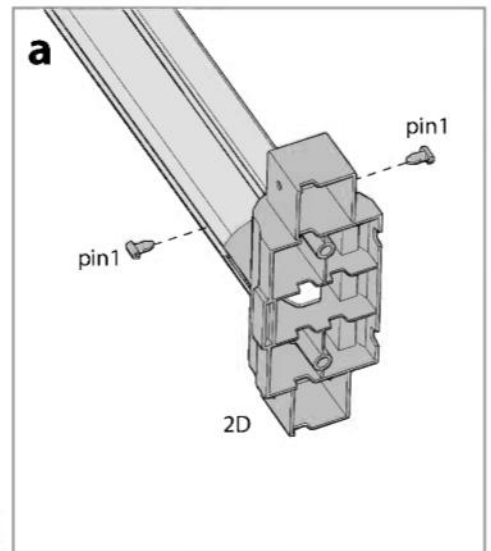
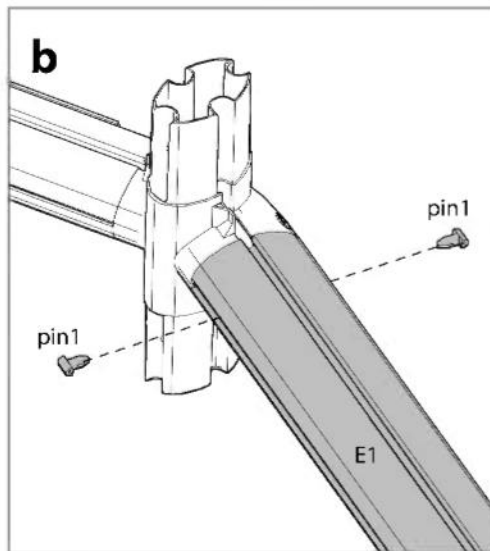
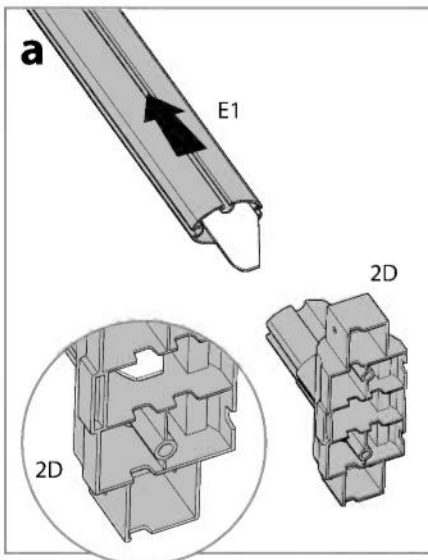
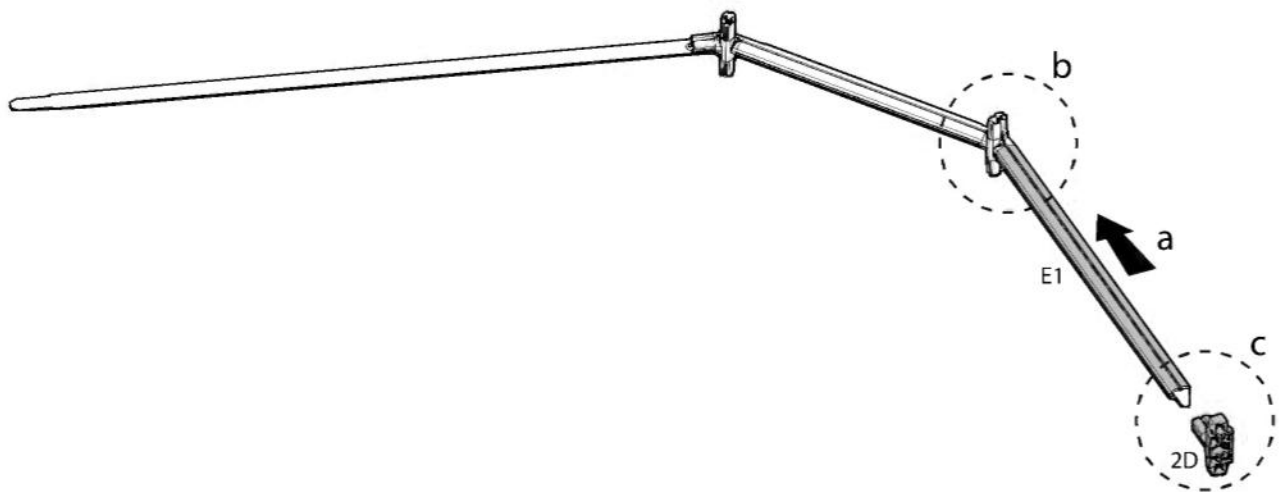
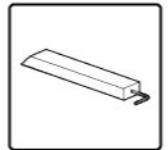




Item		Qty.
2D		1
E1		1
pin1		4

x3  8'x8'





x4  8'x10'

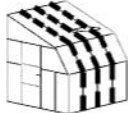


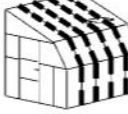
23 *i*

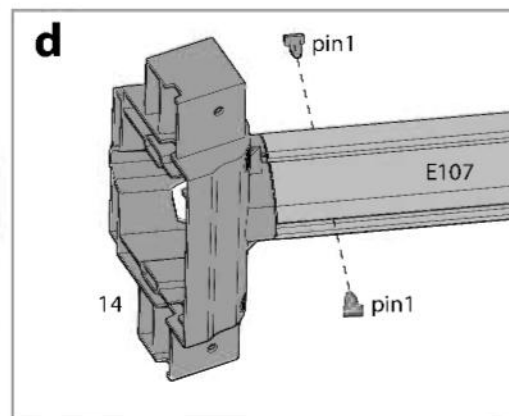
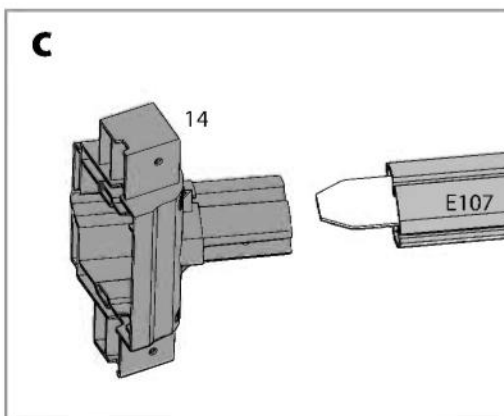
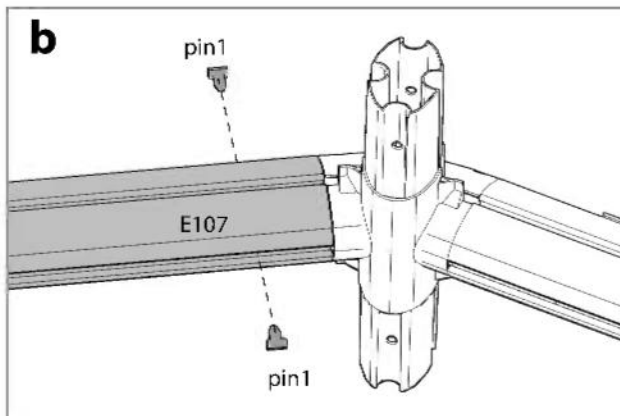
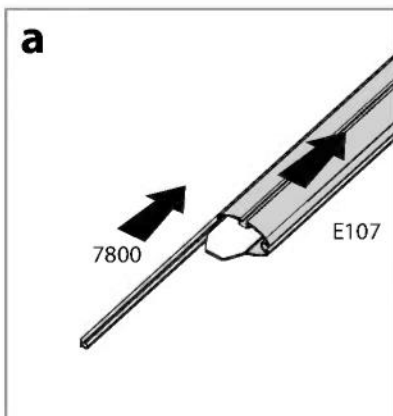
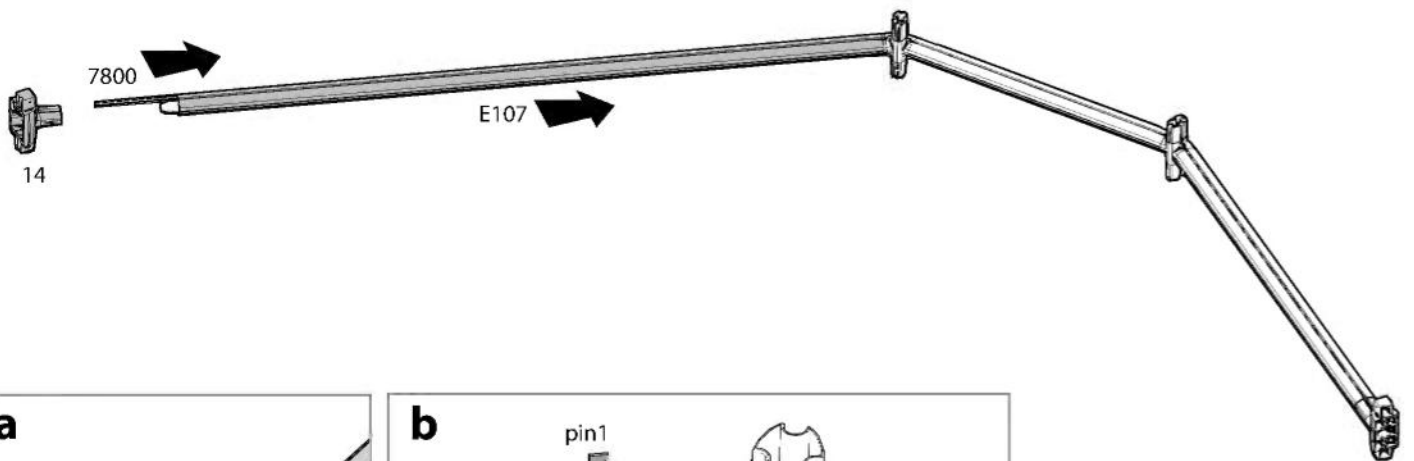
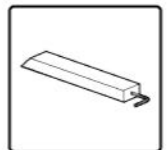
- Make sure that all the metal profiles are inserted inside the plastic profiles.
- Repeat each step based on your product's size and the number of arch profiles needed to be assembled as illustrated.

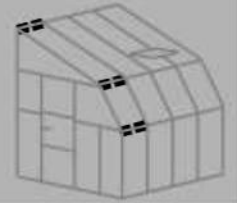





Item		Qty.
14		1
E107		1
7800		1
pin1		4

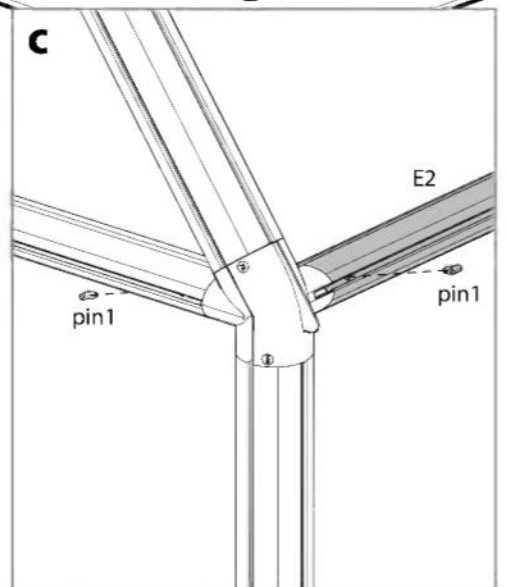
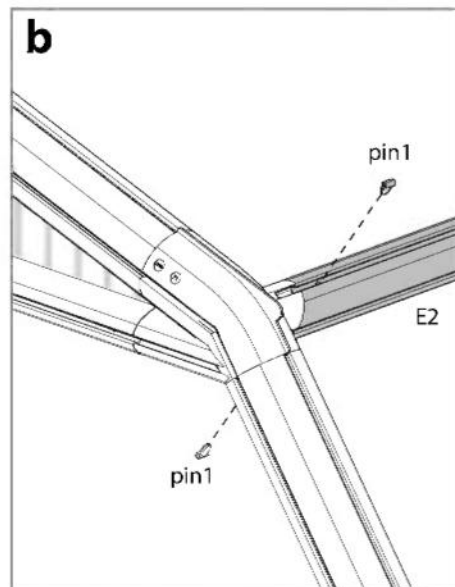
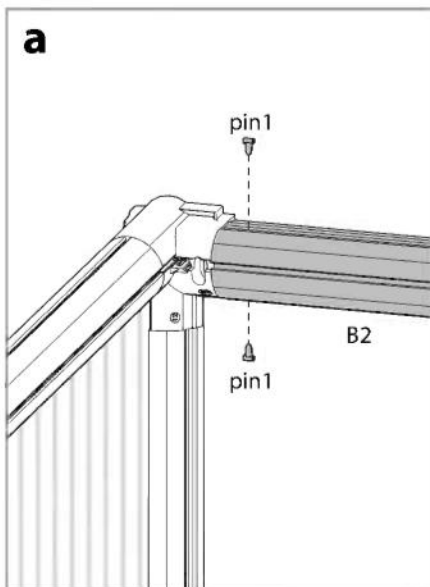
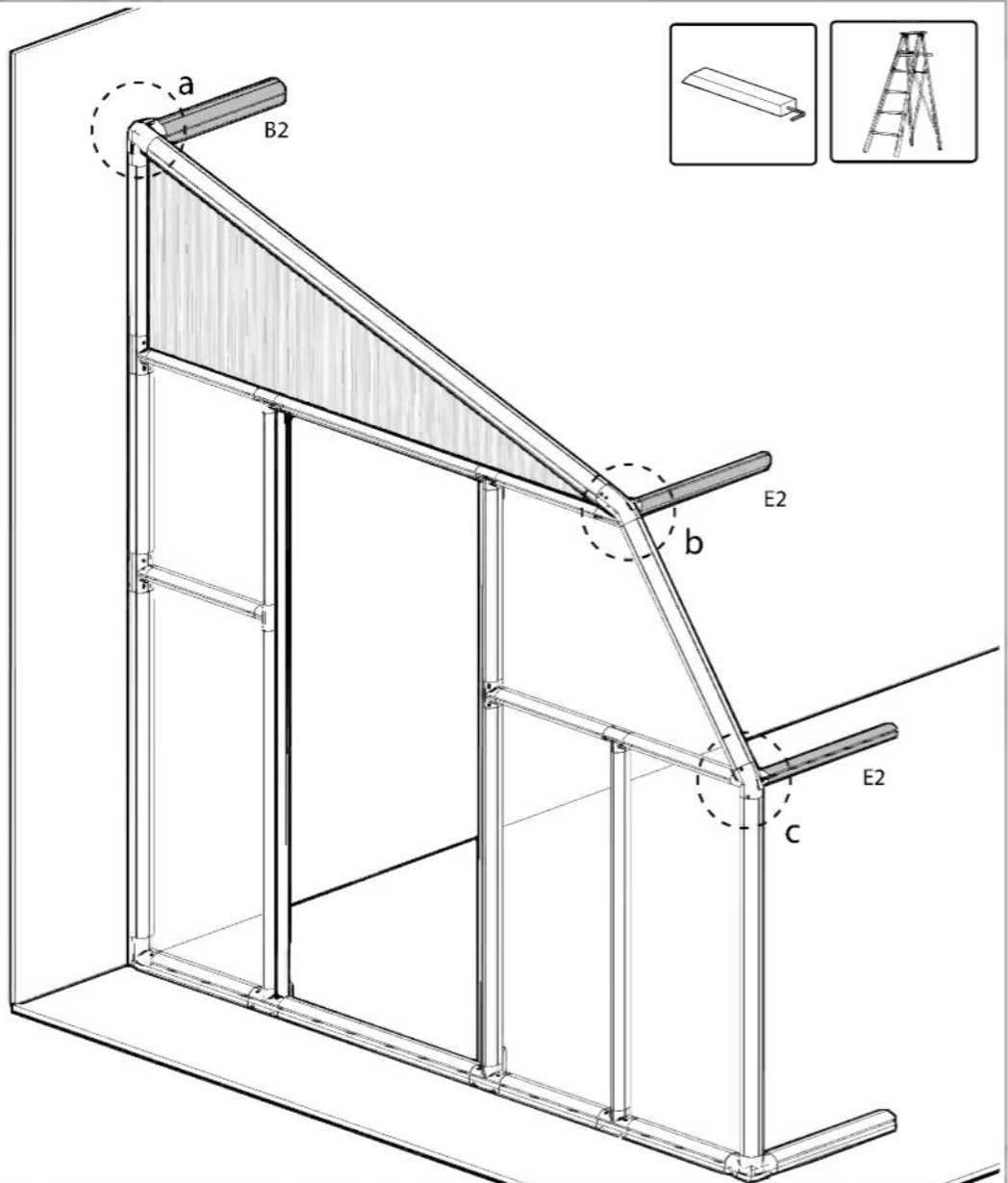
x3  8'x8'

x4  8'x10'



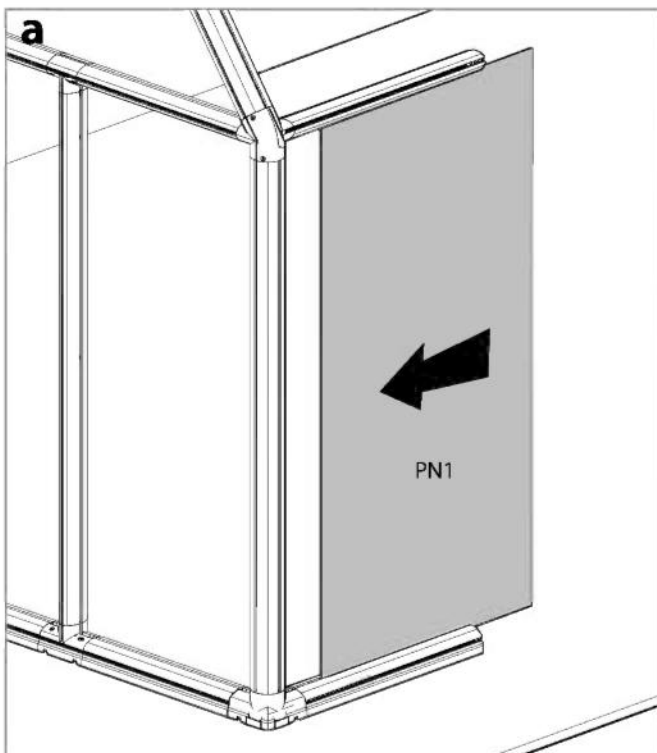
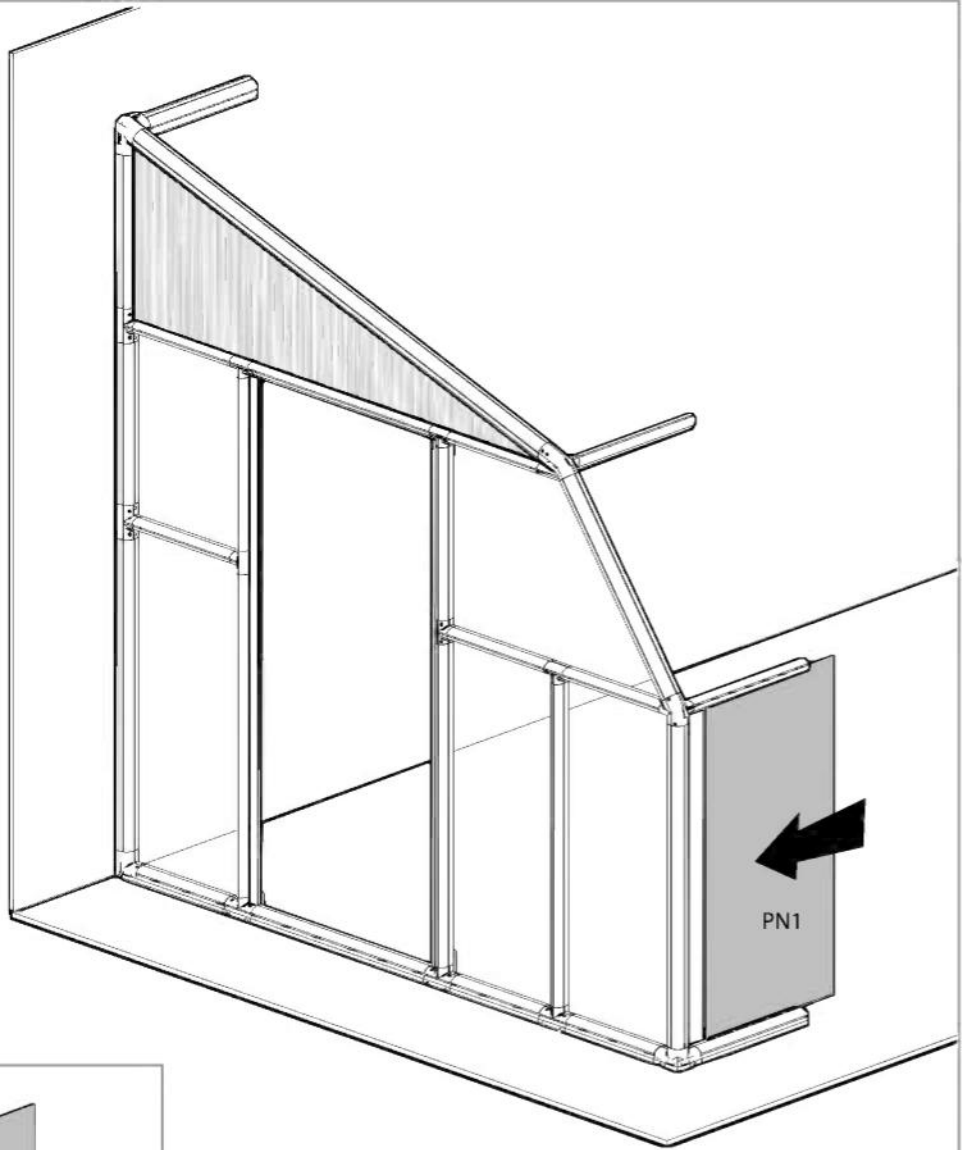


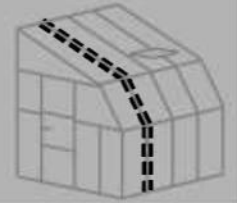
Item		Qty.
pin1		6
E2		2
B2		1




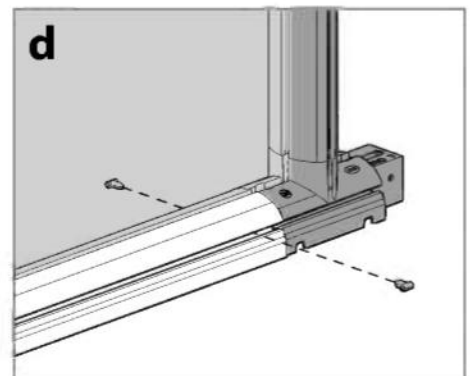
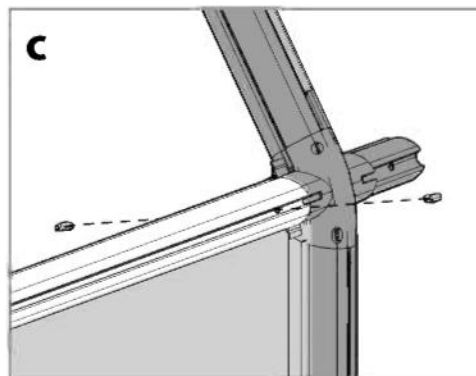
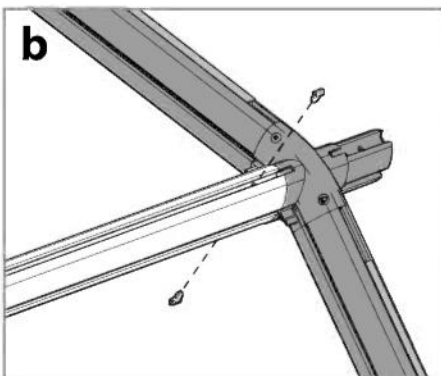
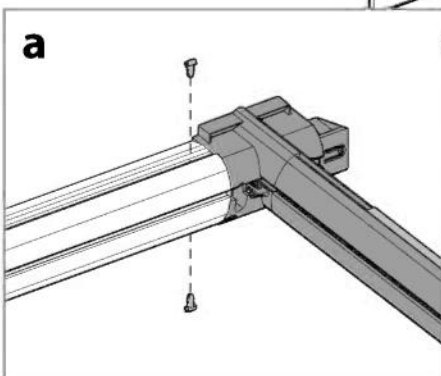
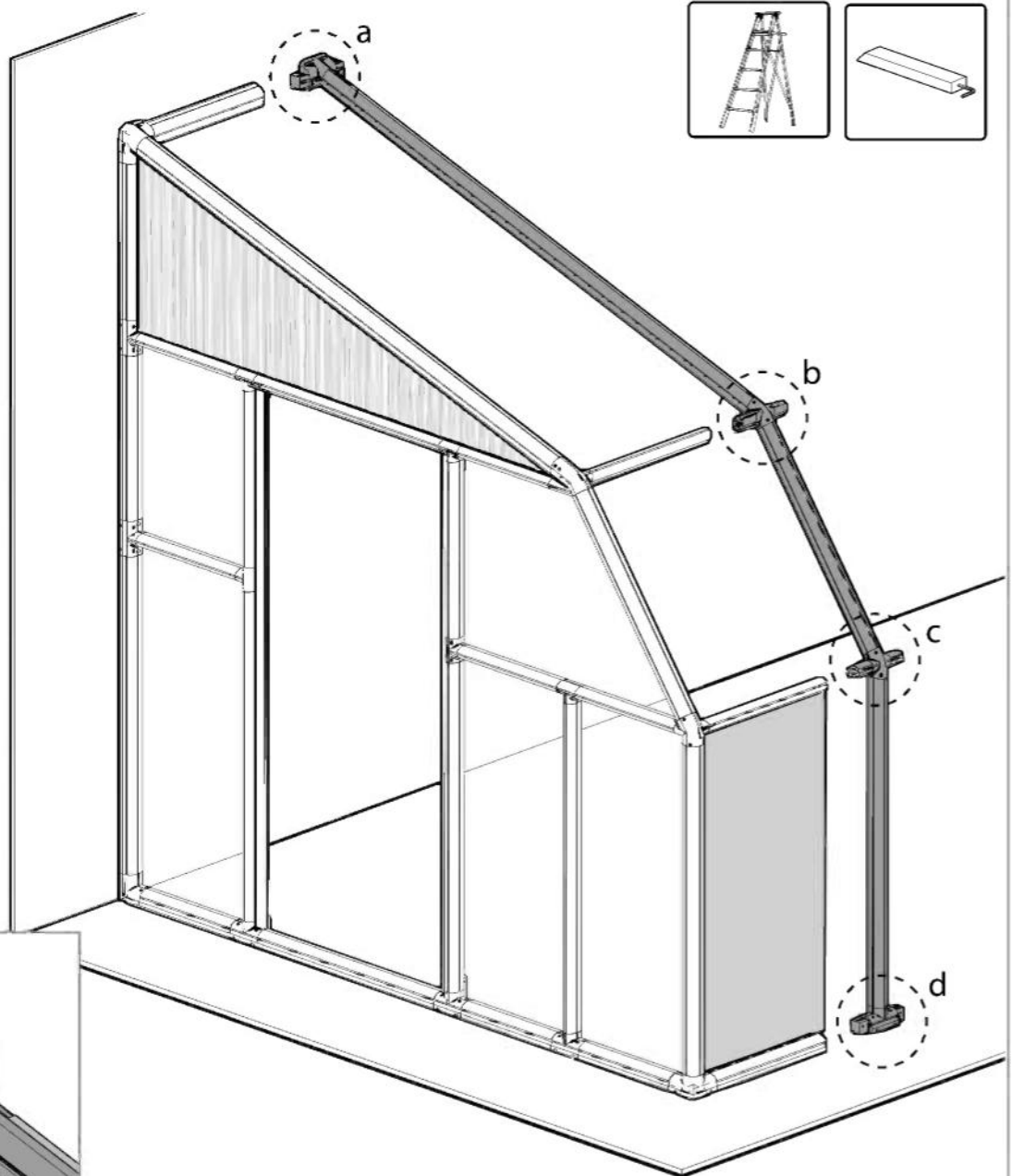


Item		Qty.
PN1		1






Item		Qty.
pin1		8

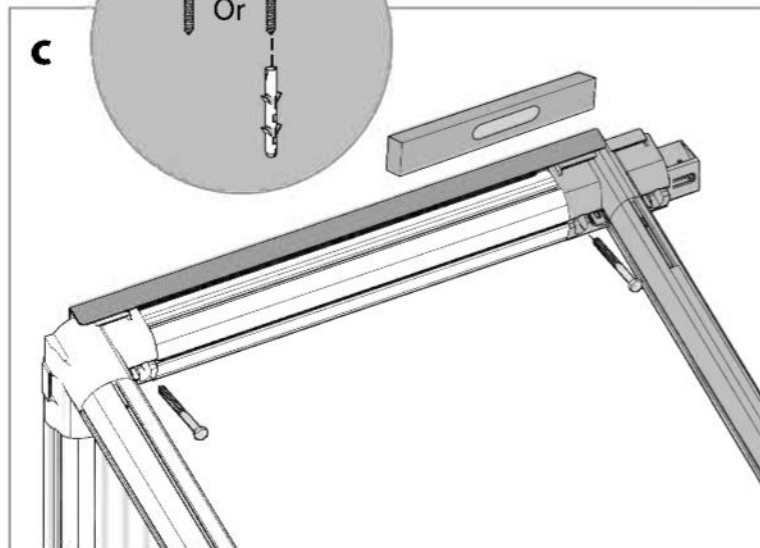
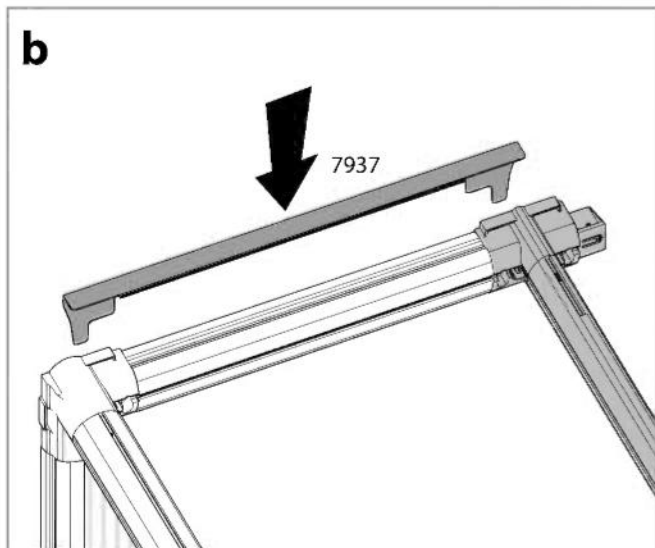
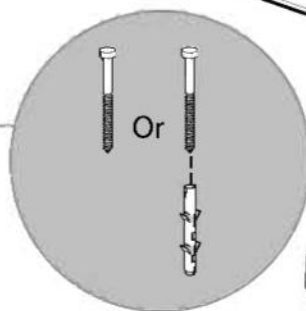
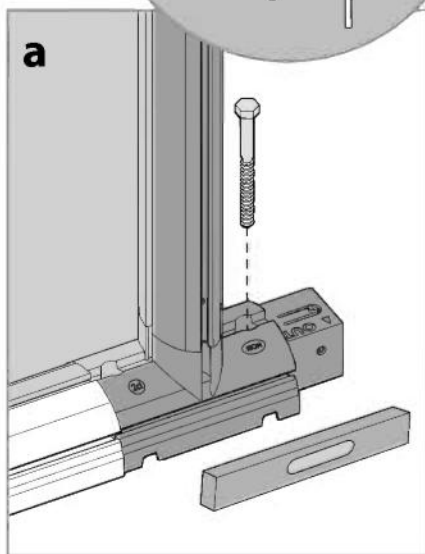
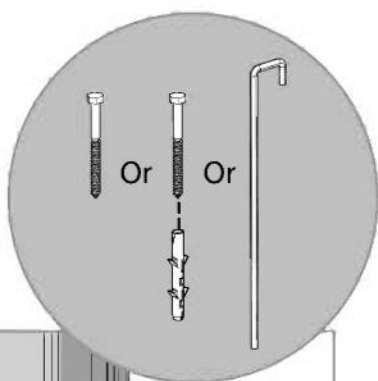
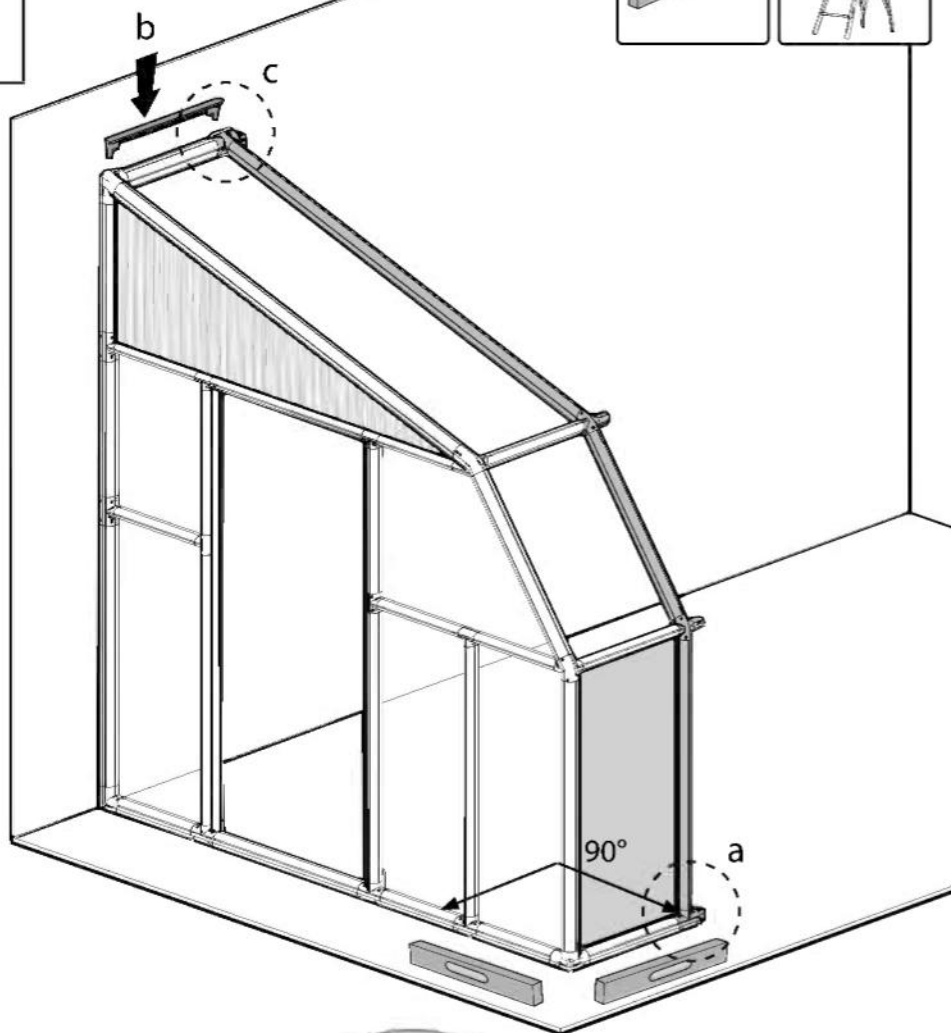
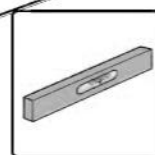



27

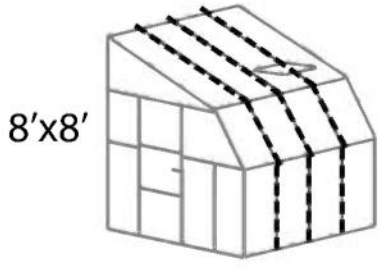
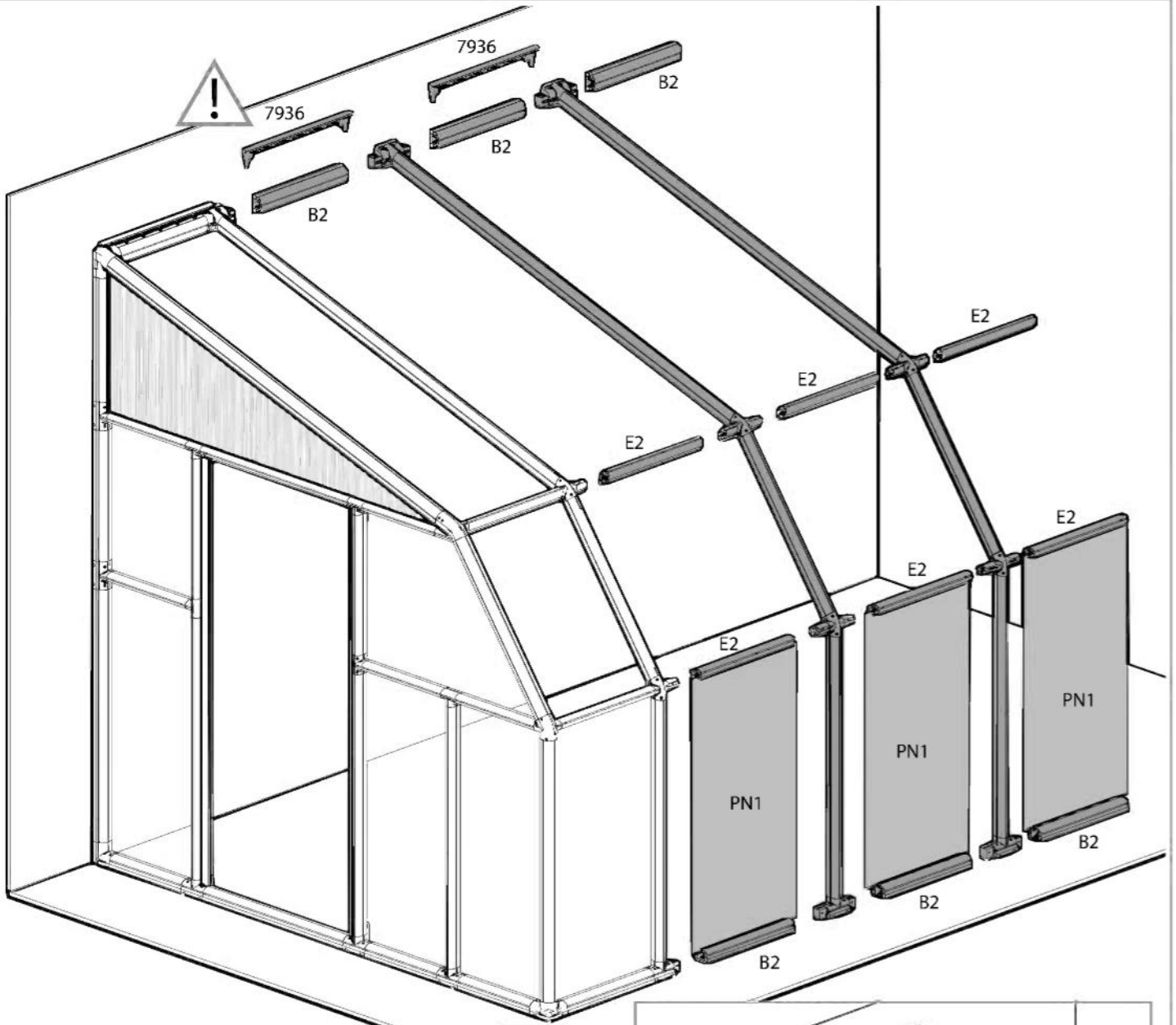
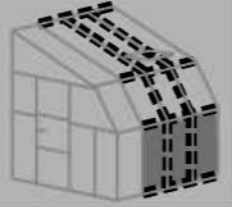
Make sure that the profiles are perfectly straightened by using a spirit level. Anchor Part 7937 to the wall with suitable screws / screws + plugs / spikes (not supplied) according to your wall surface.



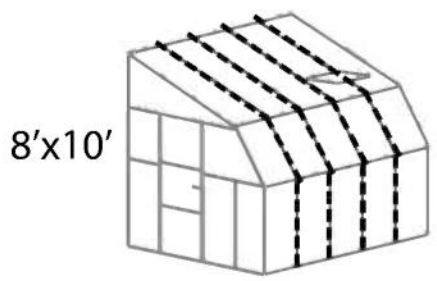
Item		Qty.
7937		1



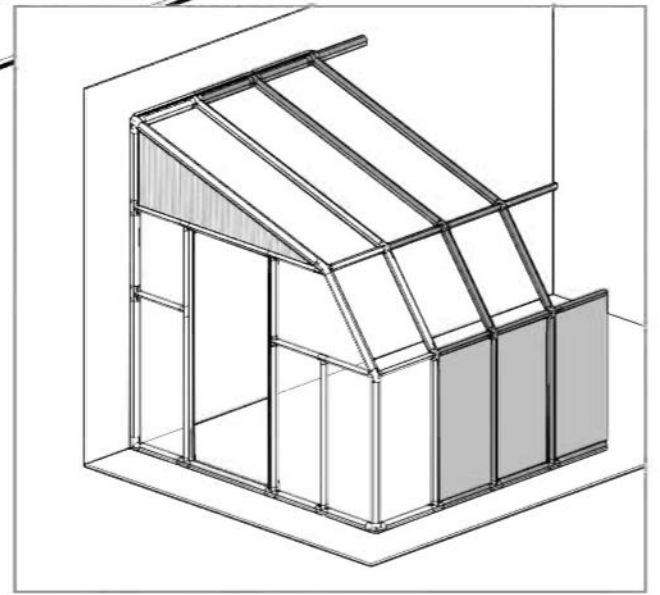
28  Repeat Steps 24-27 according to the amount of modules purchased.

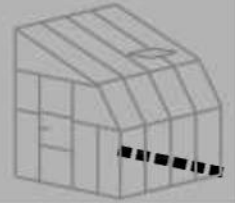


Item	Qty.
PN1	3
B2	6
E2	6
7936	2
pin1	40



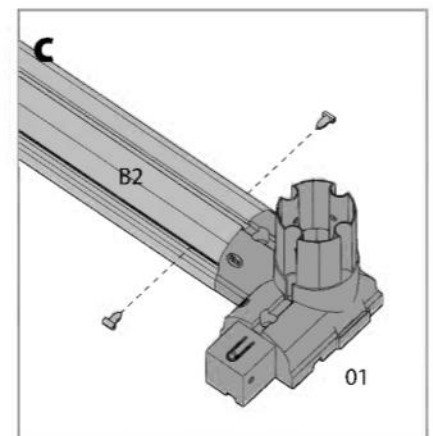
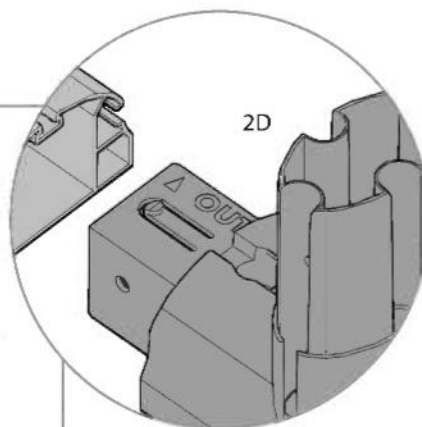
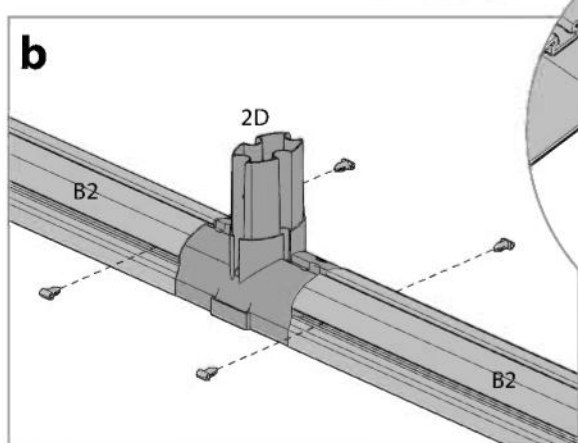
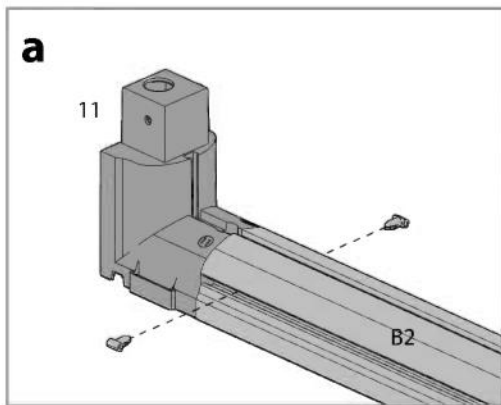
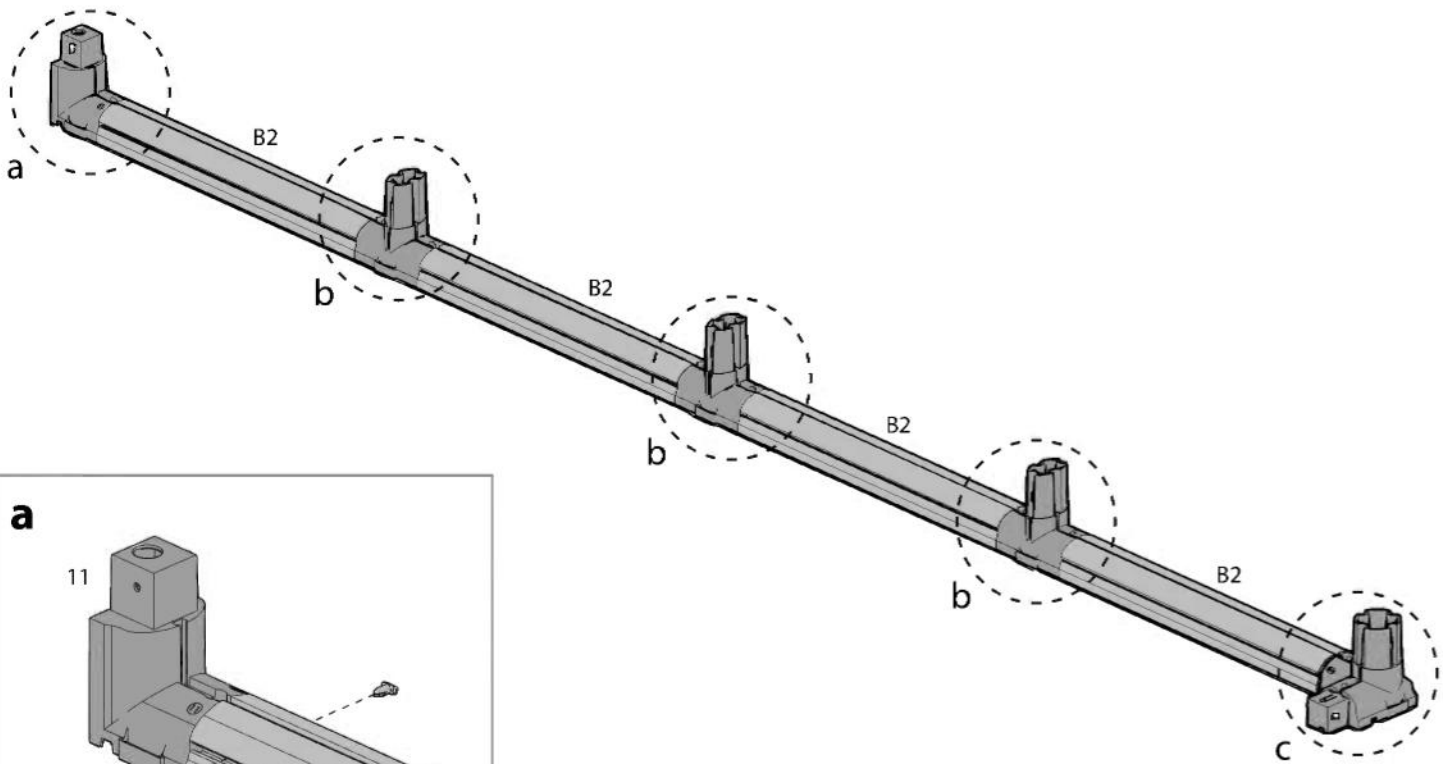
Item	Qty.
PN1	4
B2	8
E2	8
7936	3
pin1	56




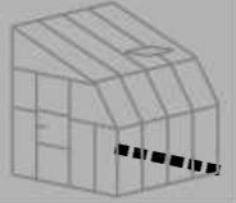



Item		Qty.
B2		4
11		1
01		1

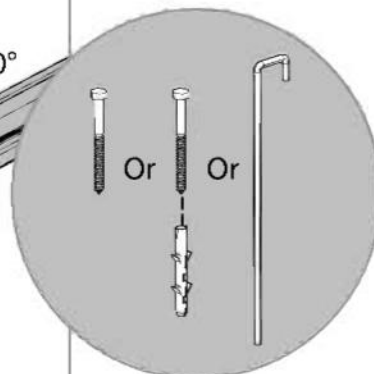
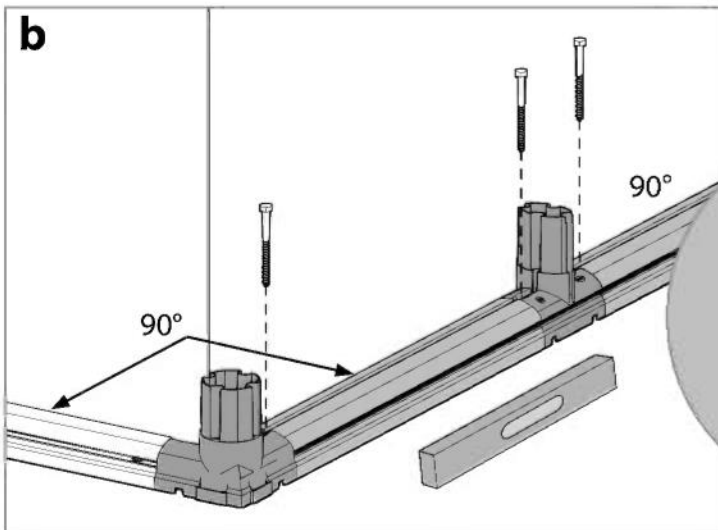
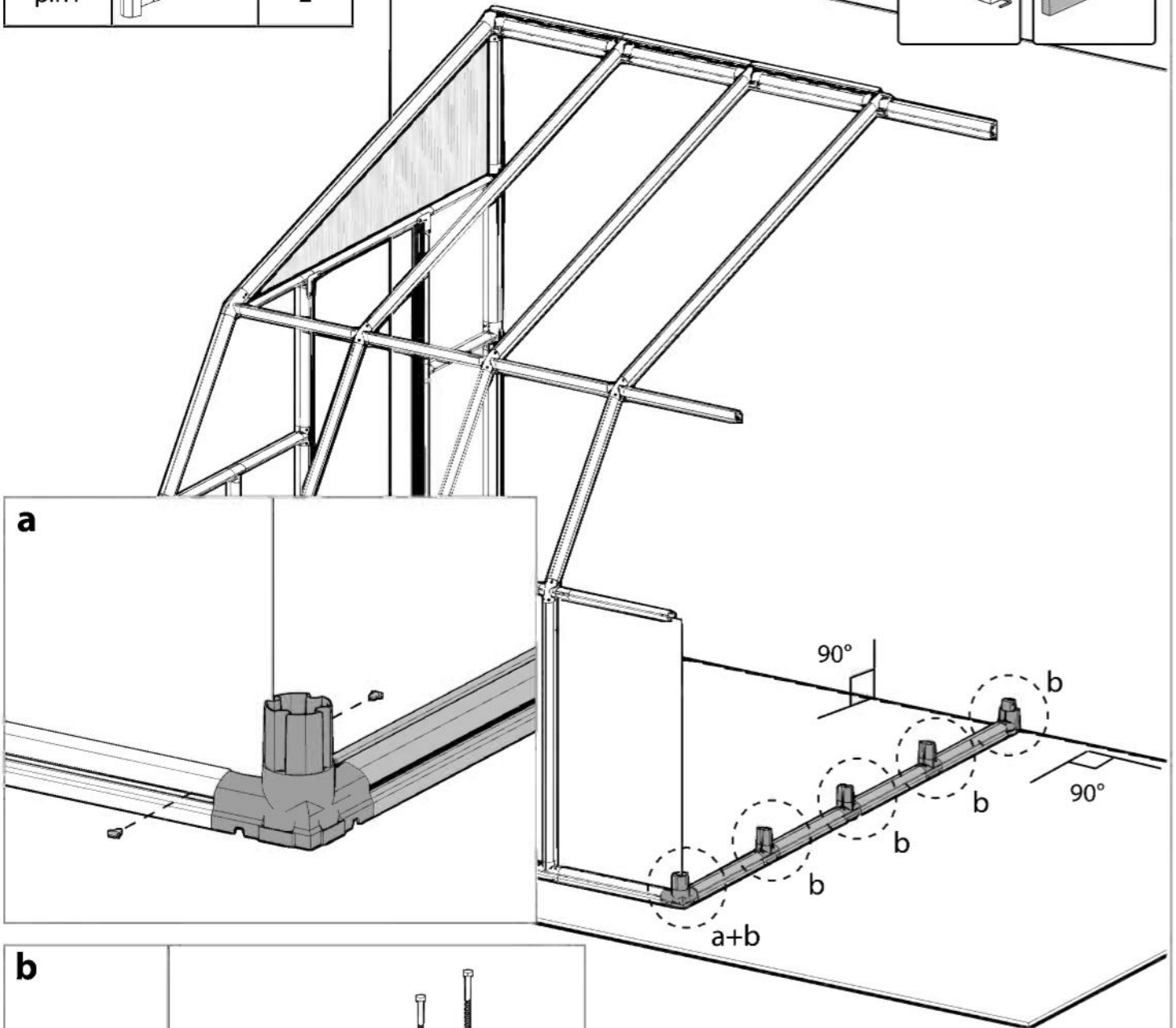
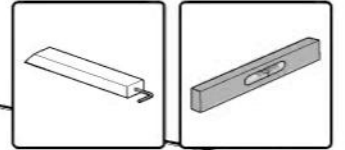
Item		Qty.
2D		3
pin1		16

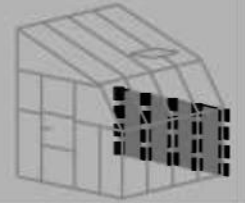


30  Repeat and refer to Step 4.

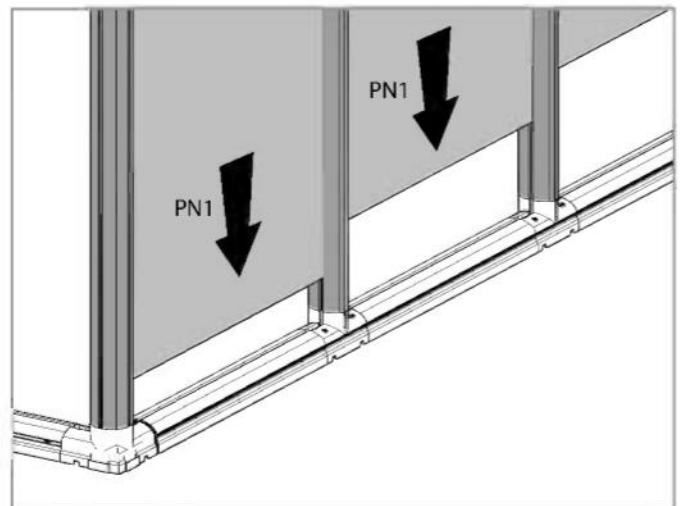
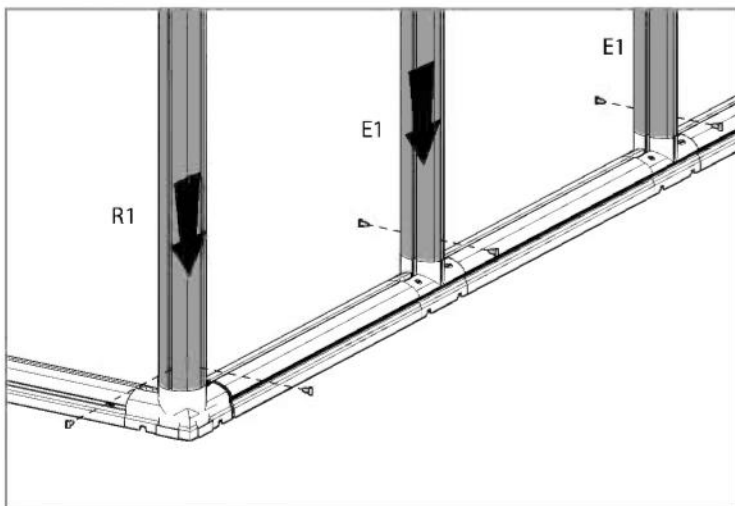
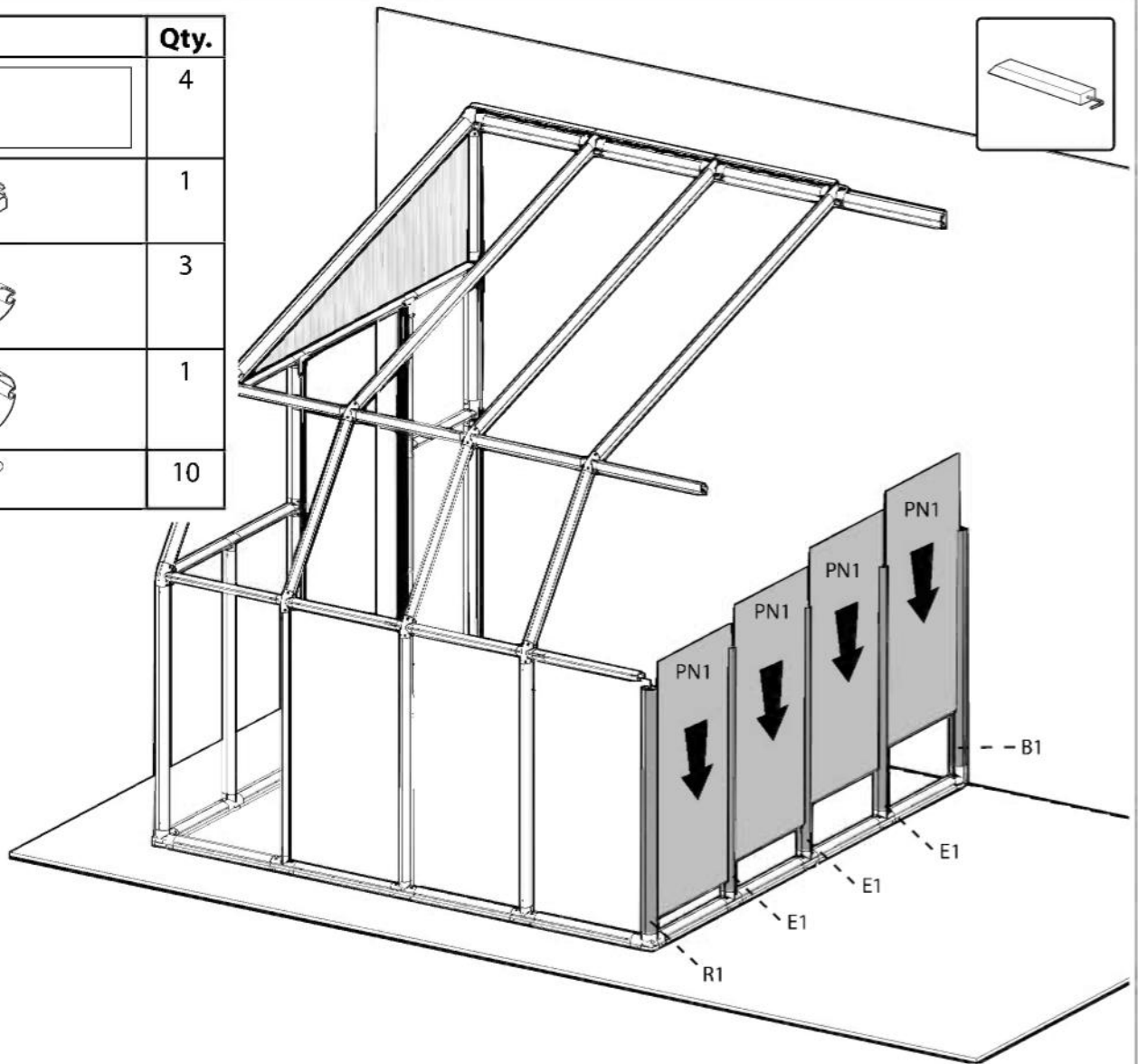


Item		Qty.
pin1		2


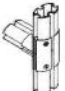
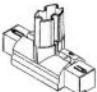




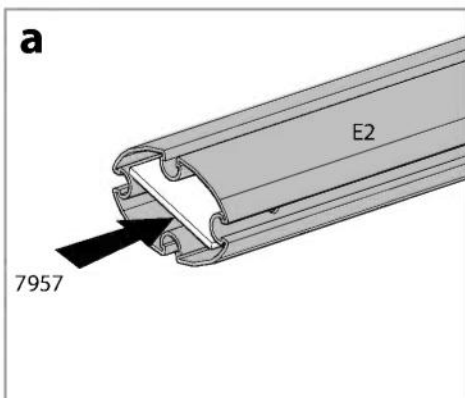
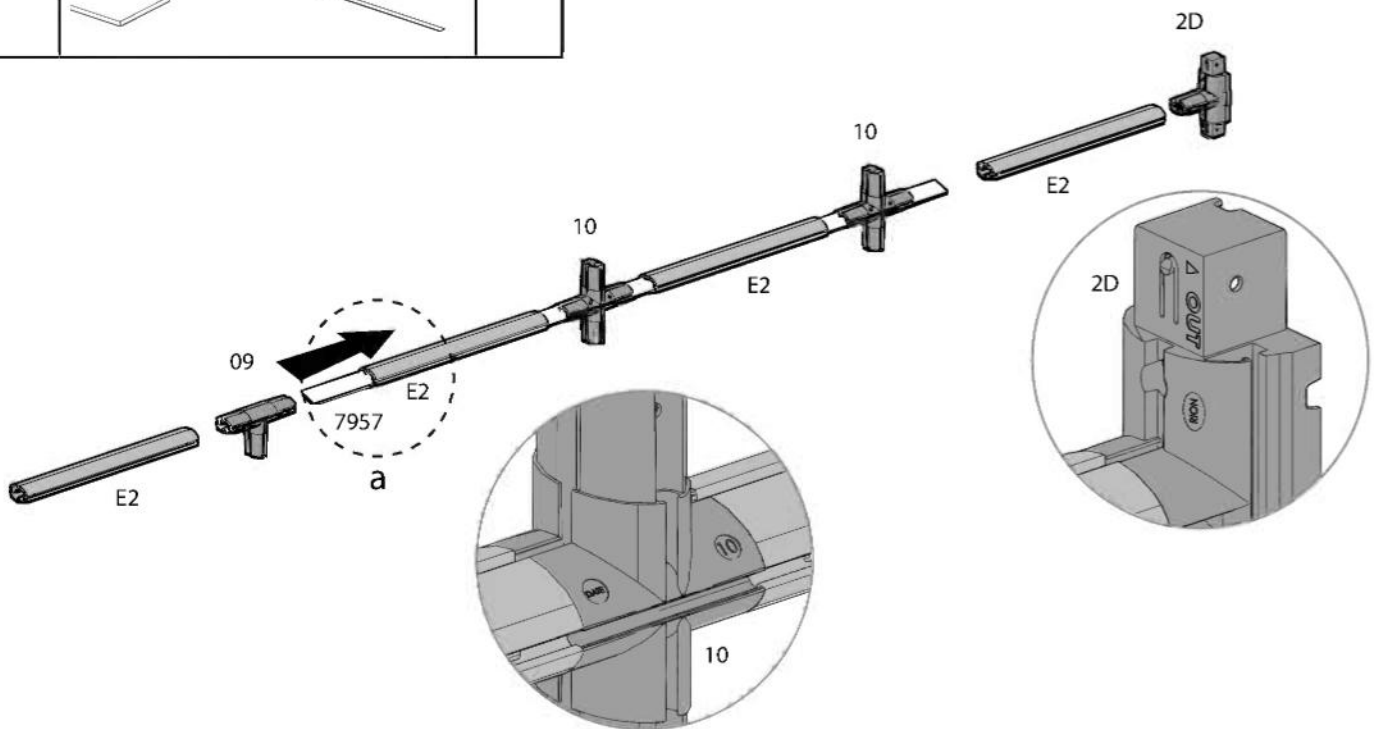
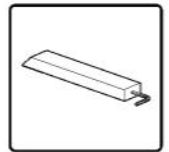


Item		Qty.
PN1		4
B1		1
E1		3
R1		1
pin1		10



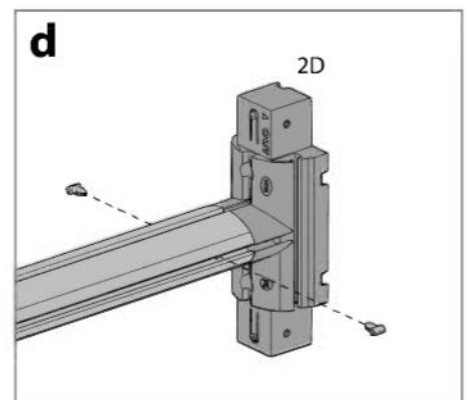
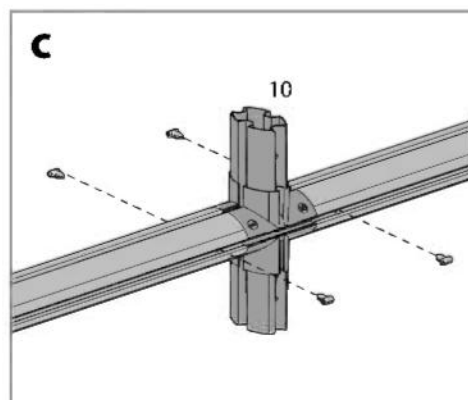
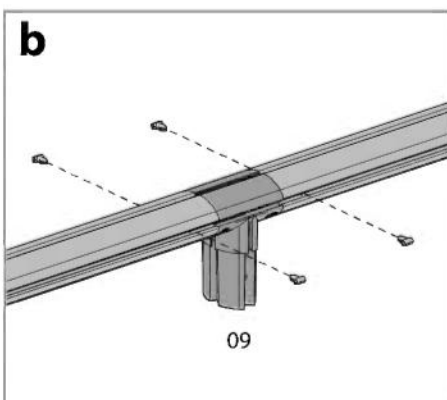
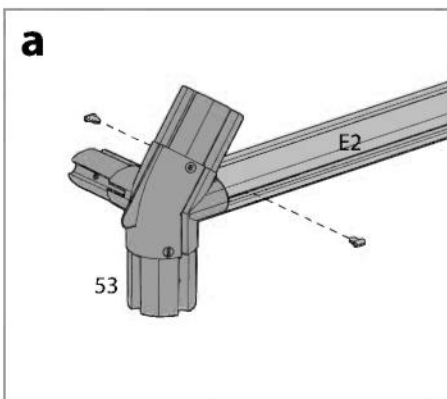
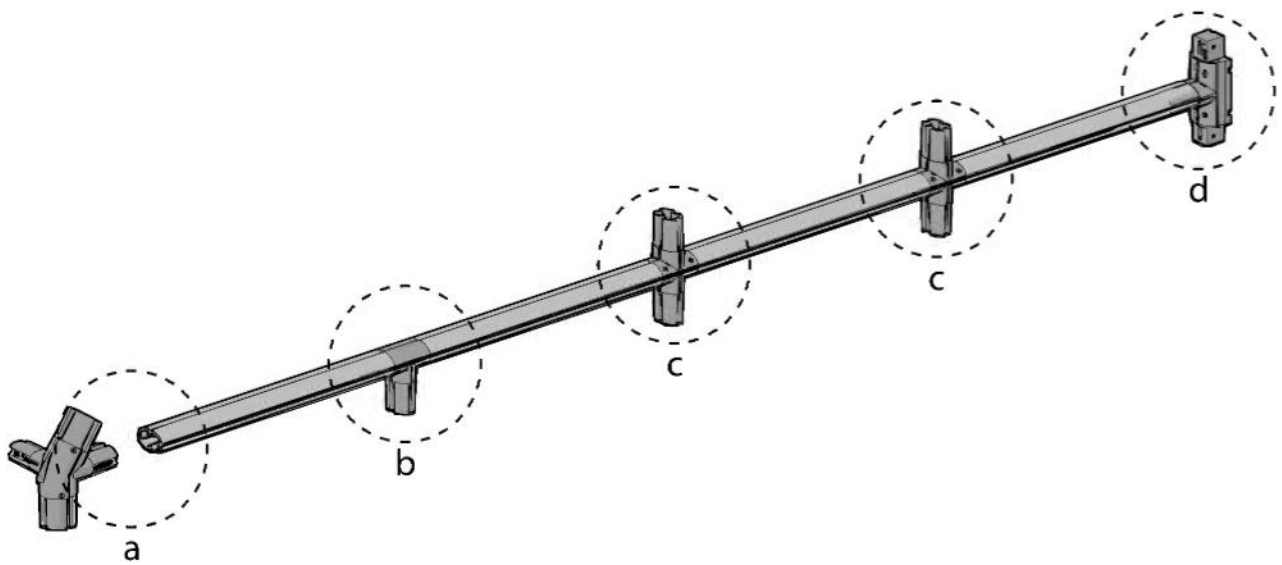


Item		Qty.
10		2
09		1
2D		1
E2		4
7957		1




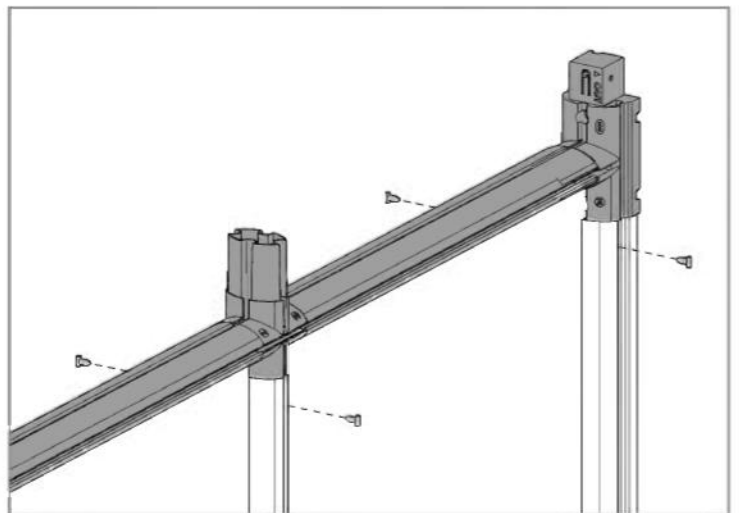
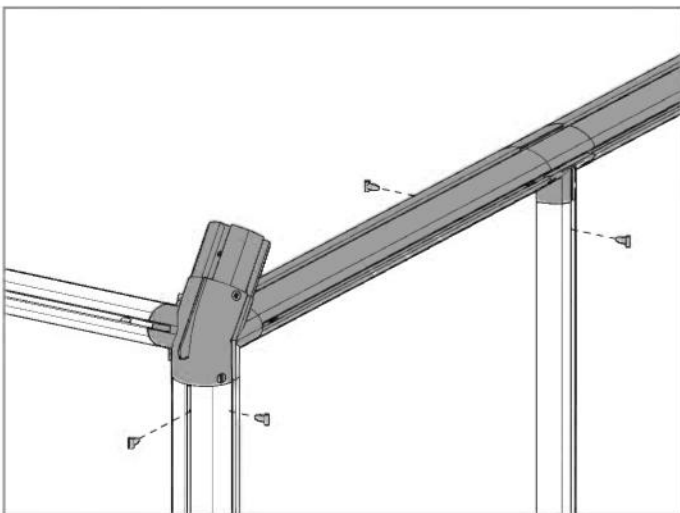
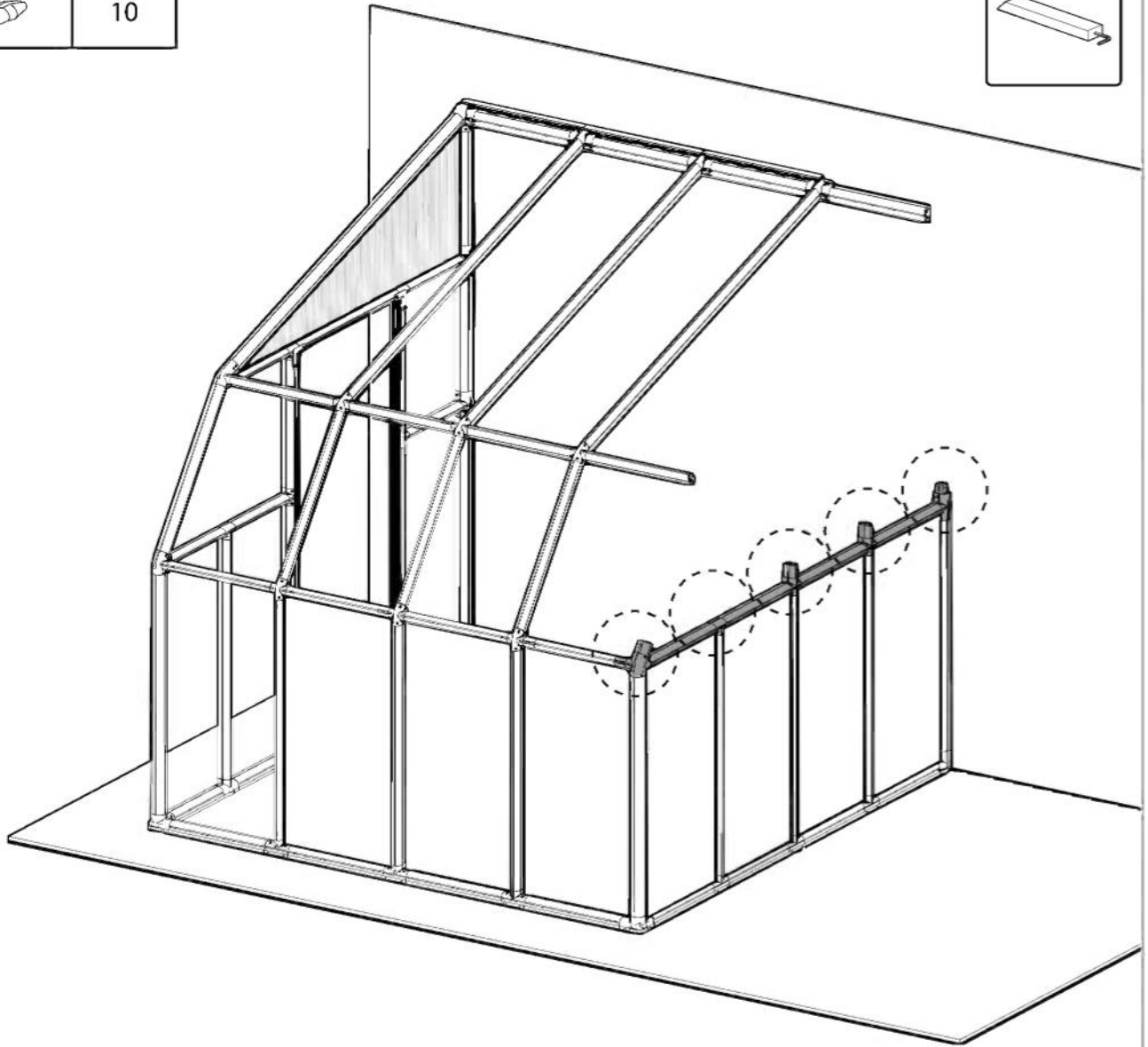
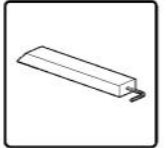


Item		Qty.
53		1
pin1		16



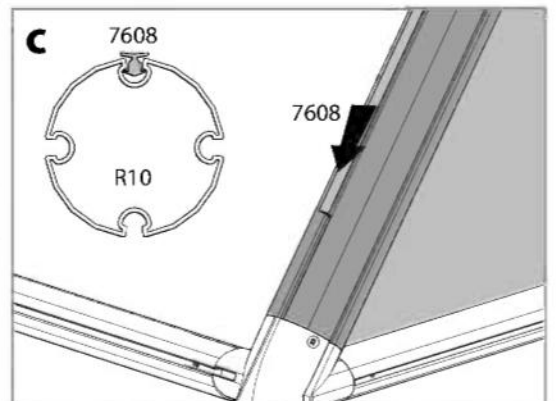
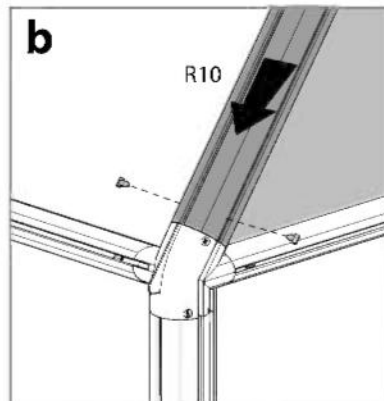
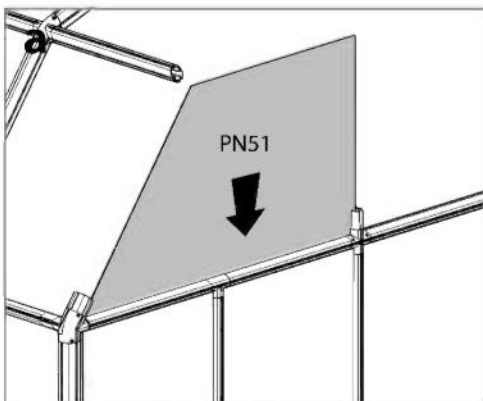
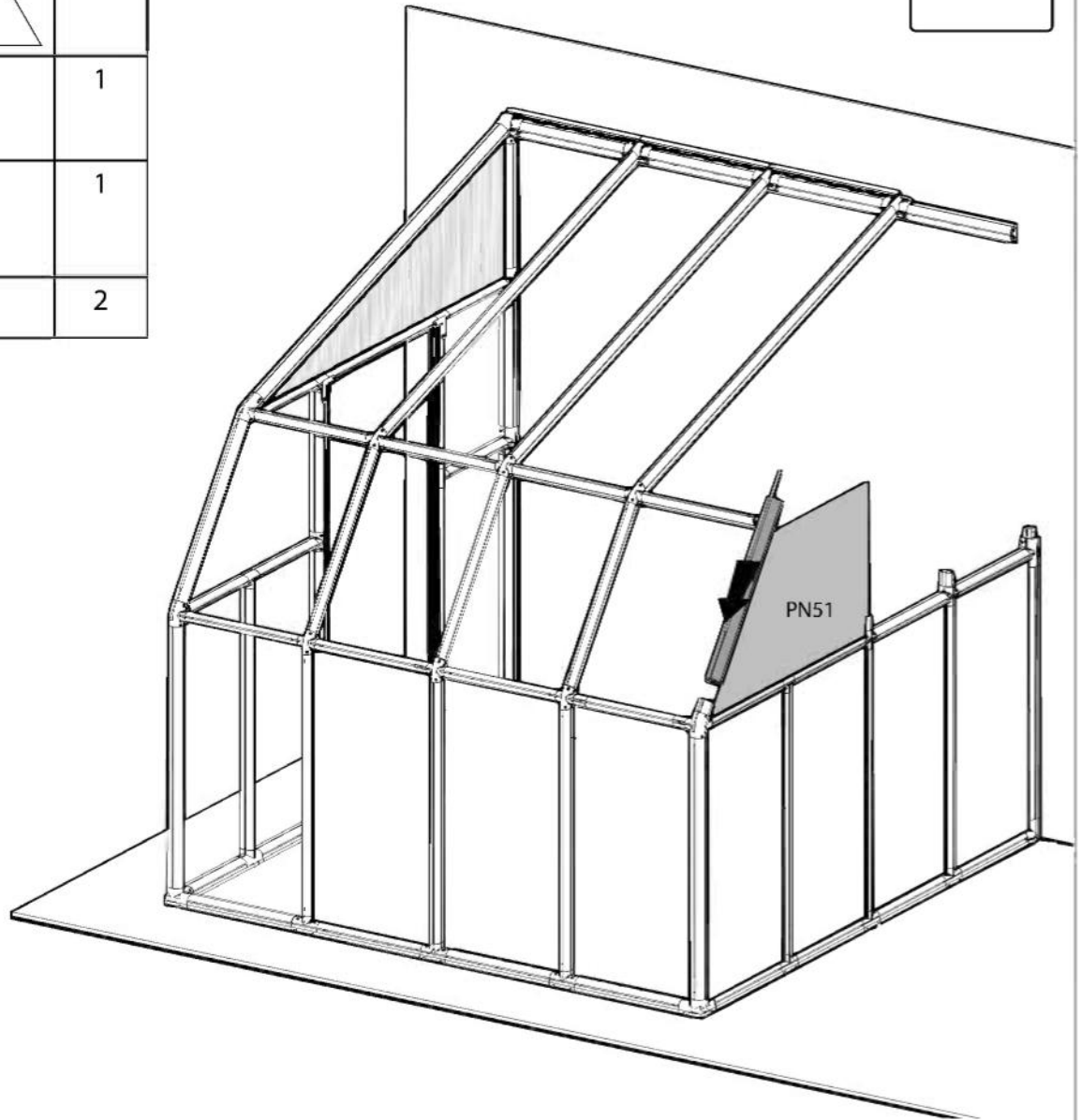


Item		Qty.
pin1		10



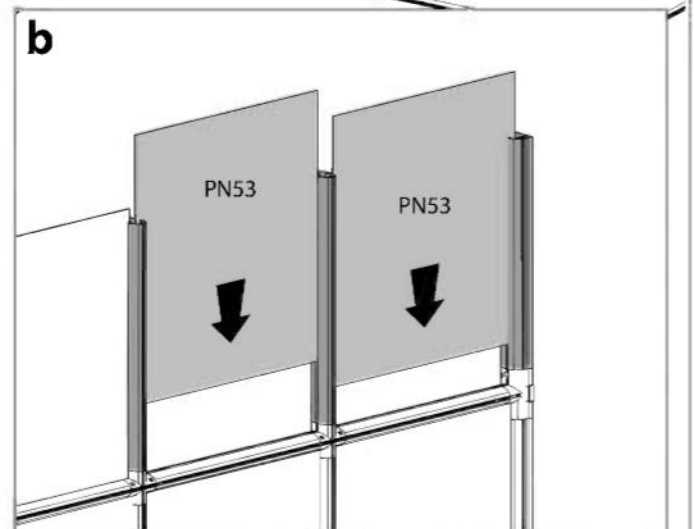
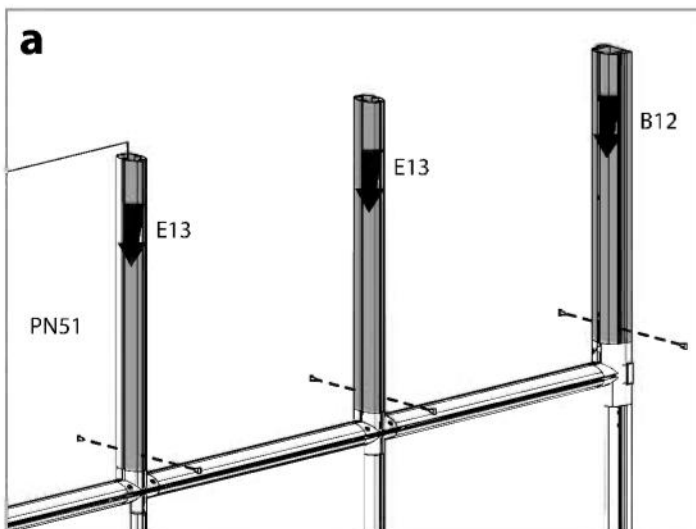
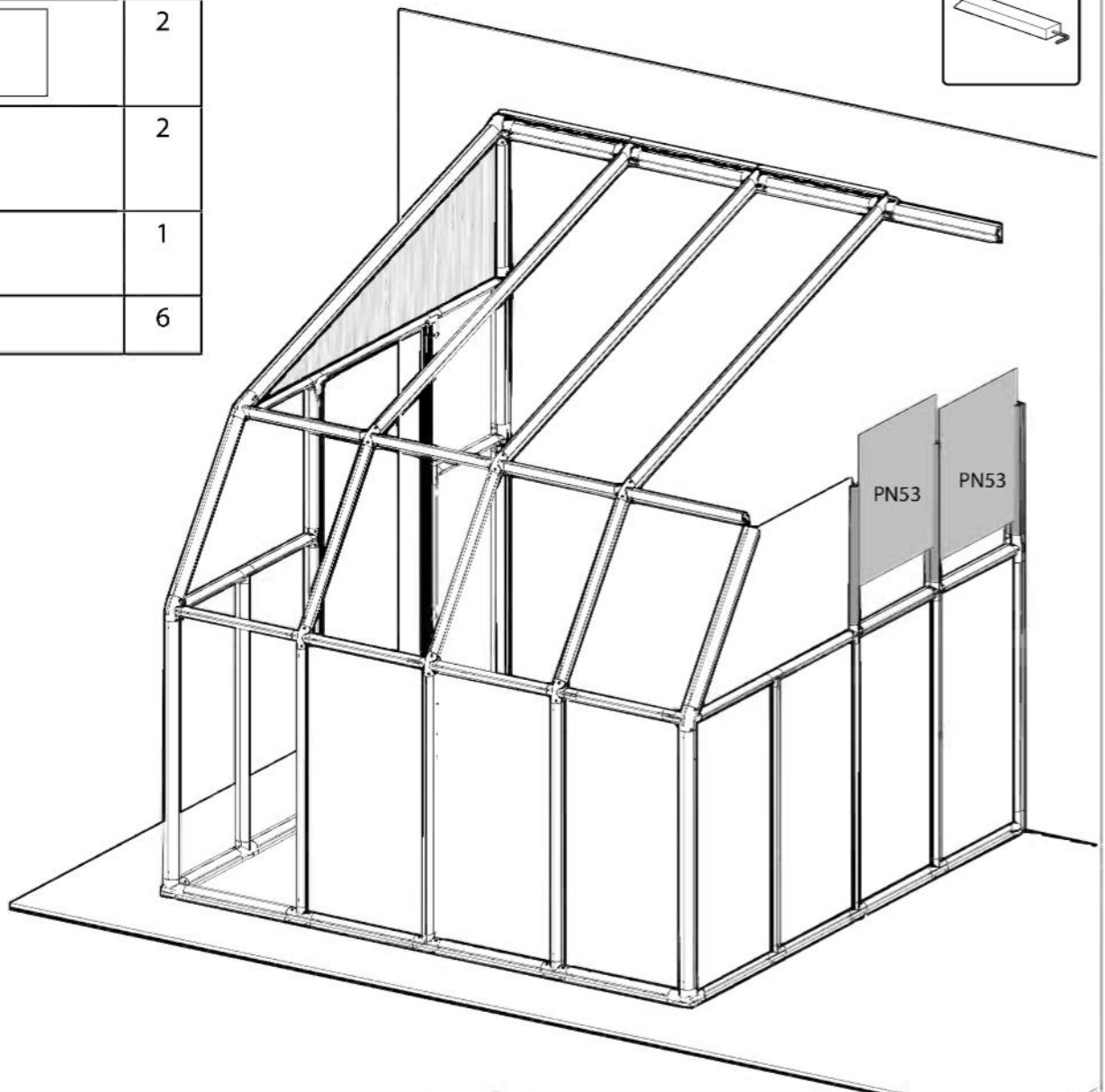


Item		Qty.
PN51		1
R10		1
7608		1
pin1		2





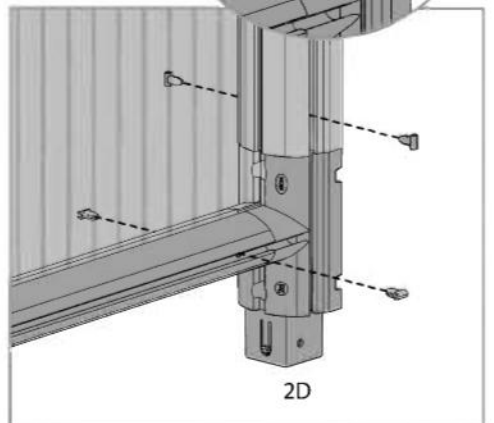
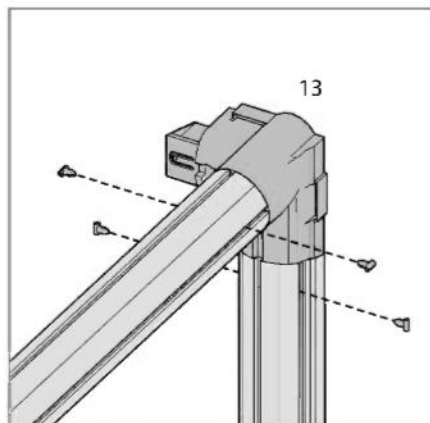
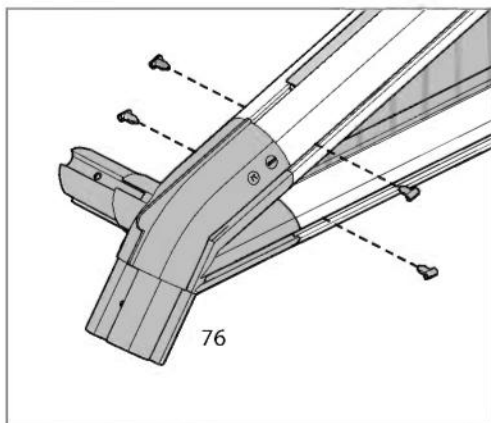
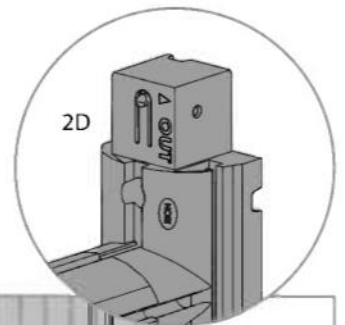
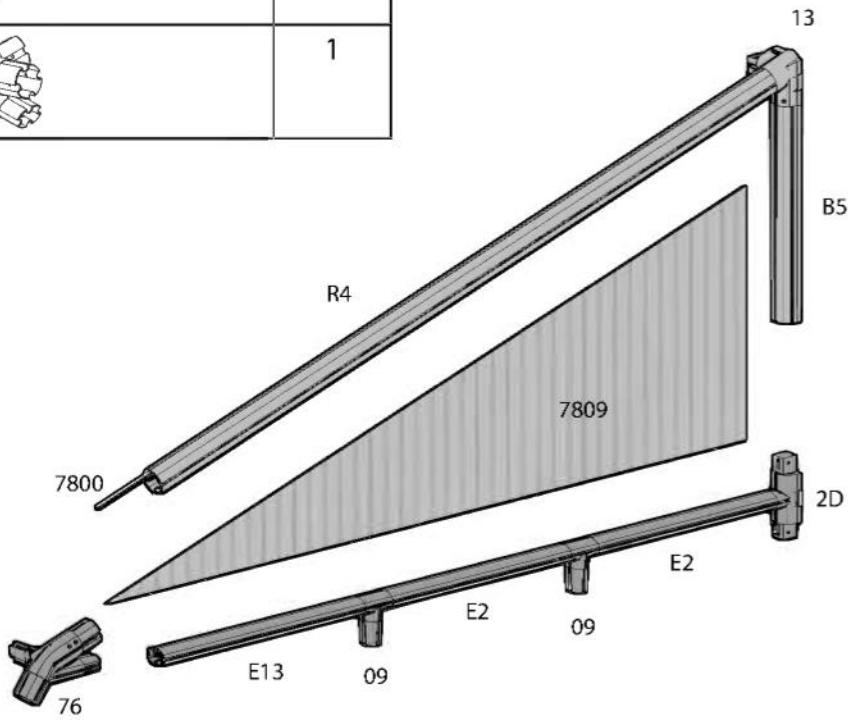
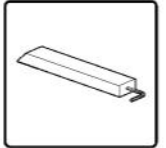
Item		Qty.
P53		2
E13		2
B12		1
pin1		6






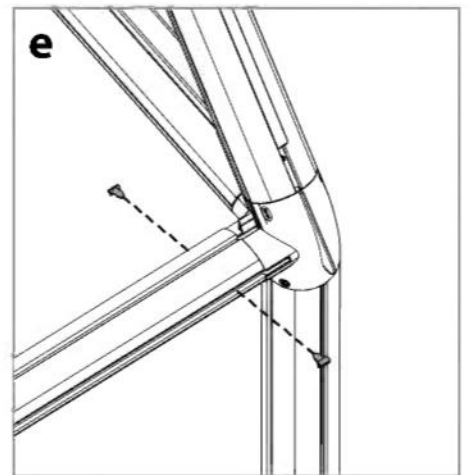
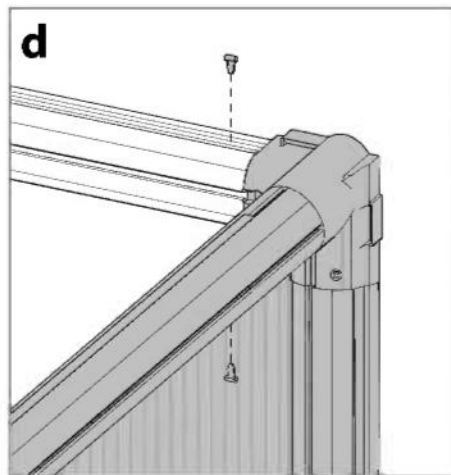
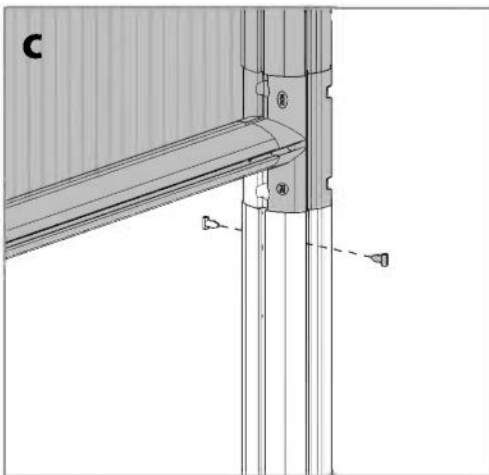
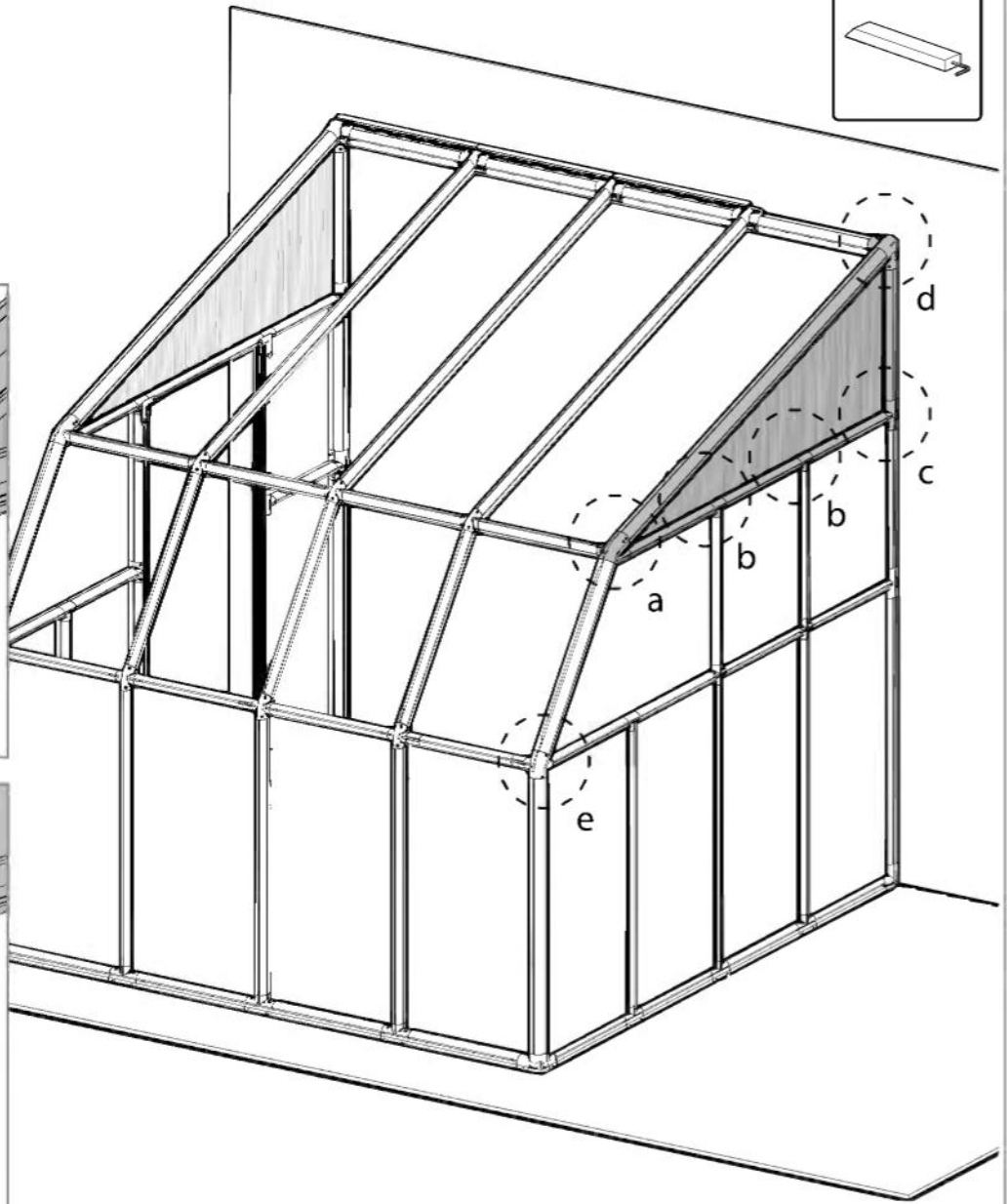
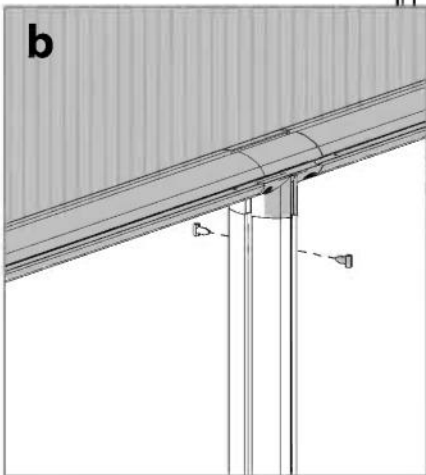
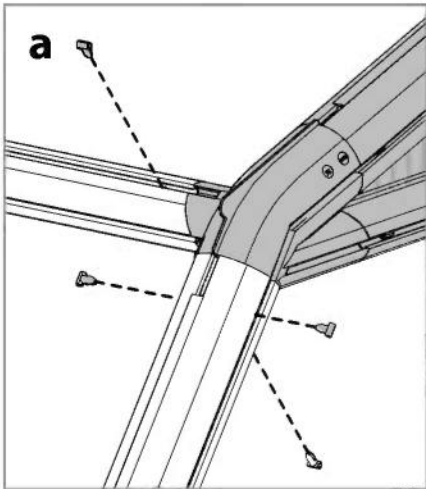
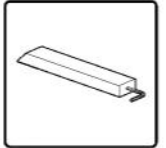
Item		Qty.
R4		1
E2		2
E13		1
7800		1
B5		1
13		1
76		1

Item		Qty.
09		2
2D		1
7809		1
pin1		20







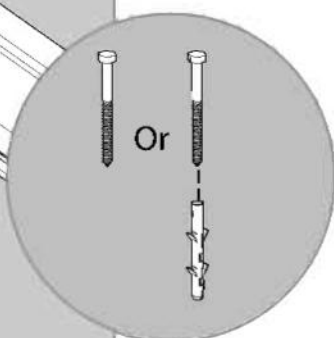
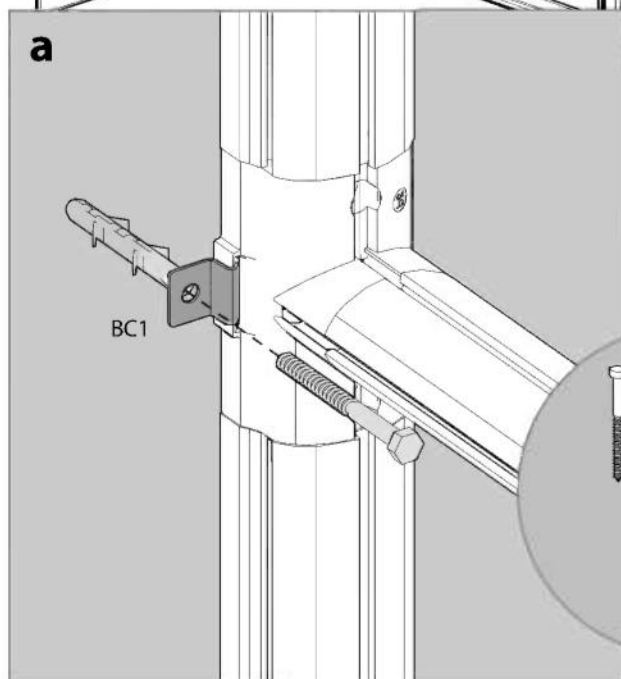
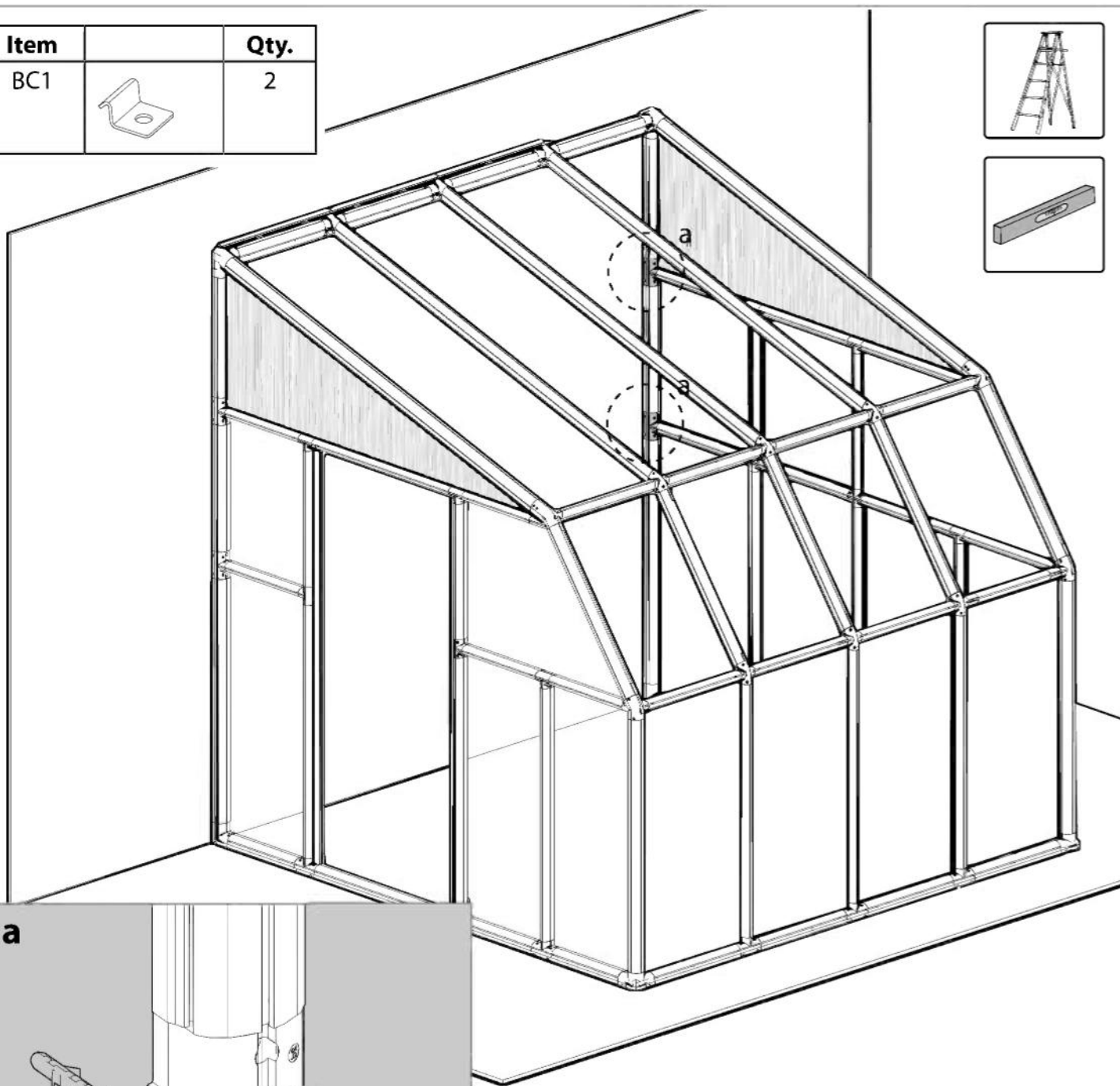
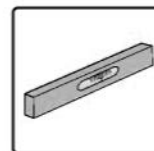
Item		Qty.
pin1		14







39  Repeat and refer to Step 17.

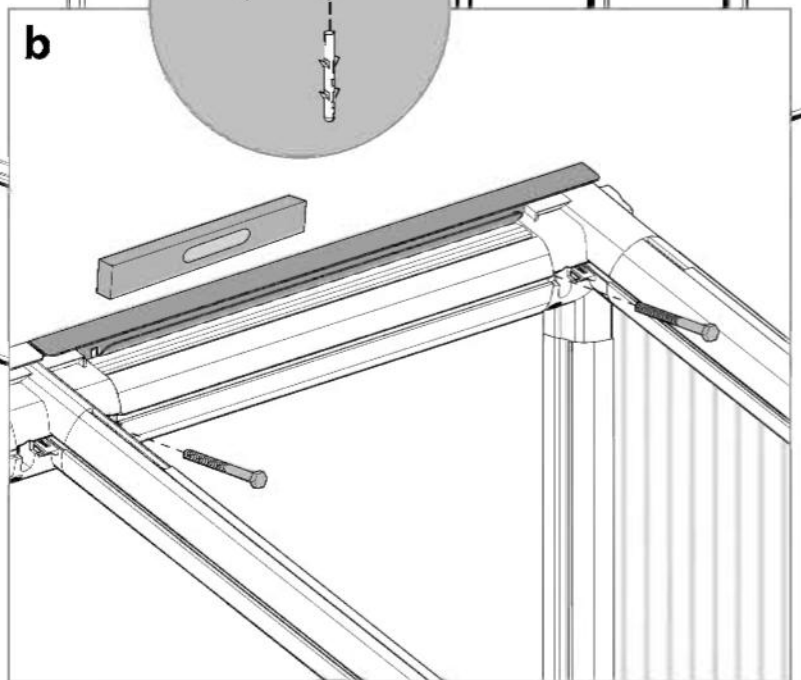
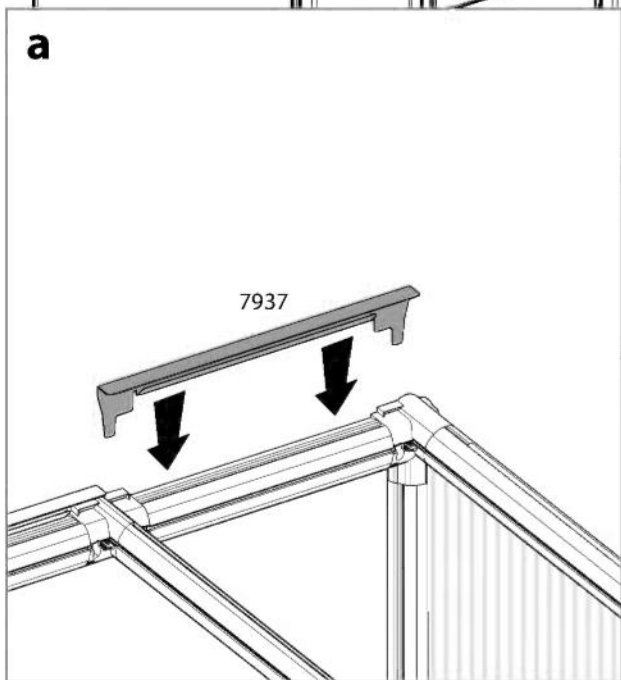
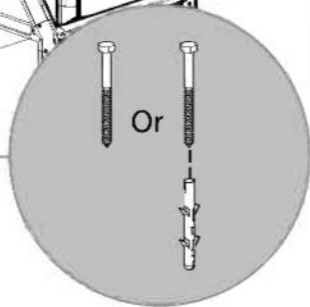
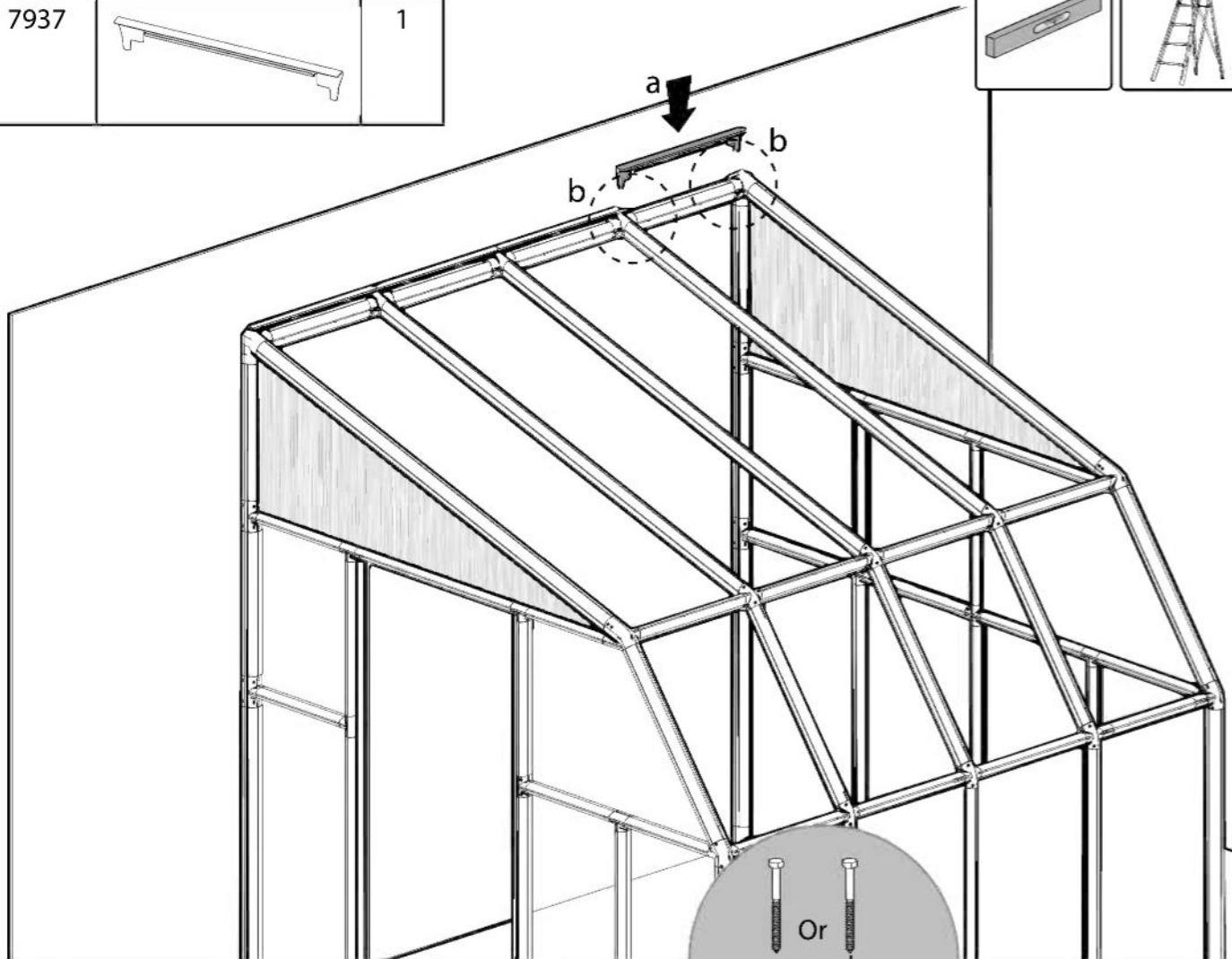
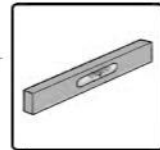
Item		Qty.
BC1		2




40  Repeat and refer to Step 17.



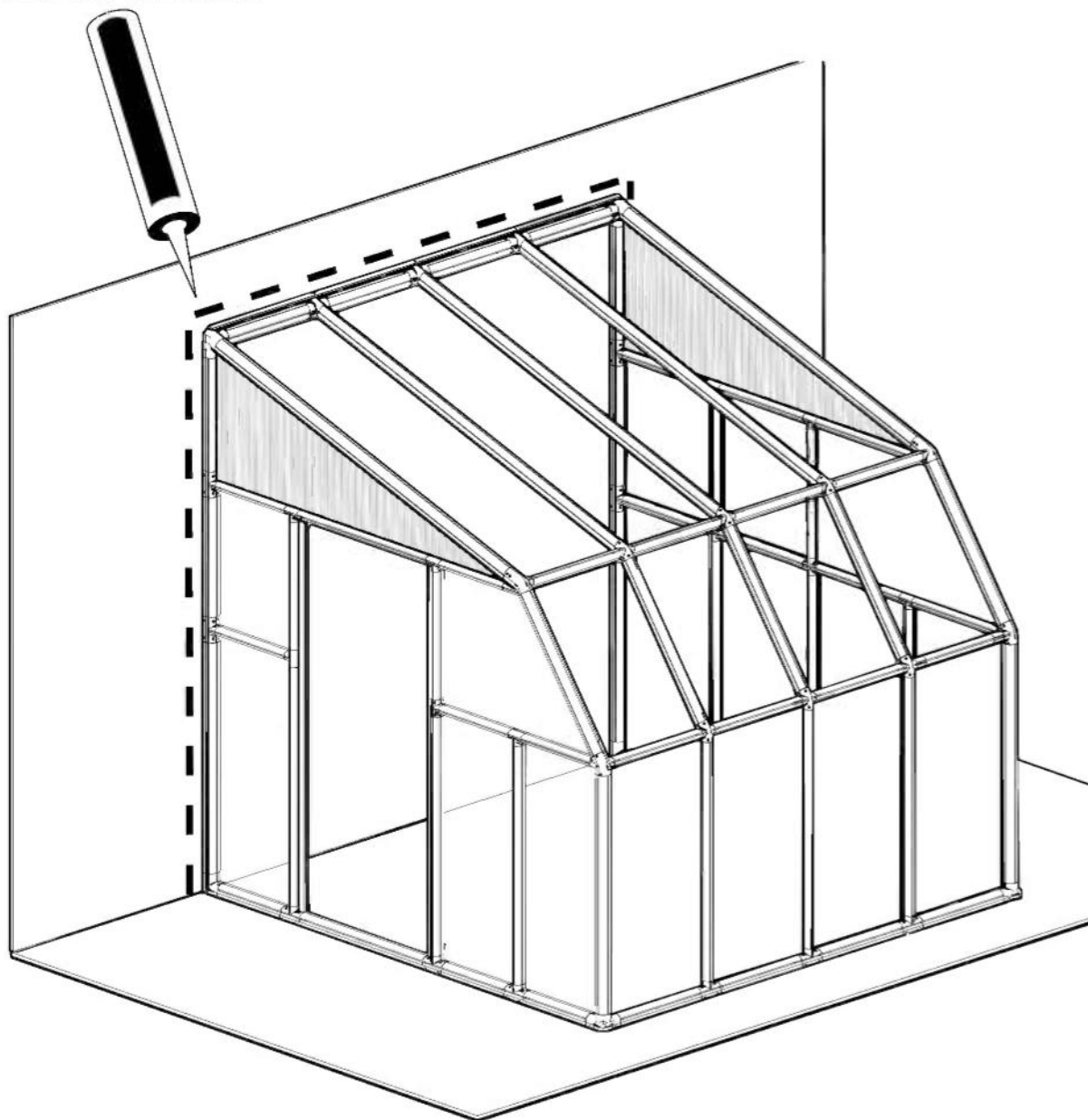
Item		Qty.
7937		1

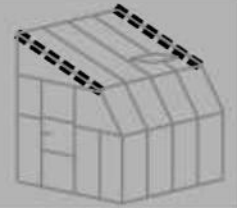


41  Seal the product's edges with Silicon Sealant.

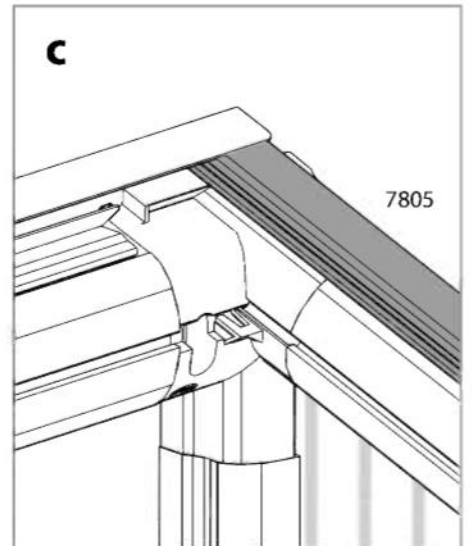
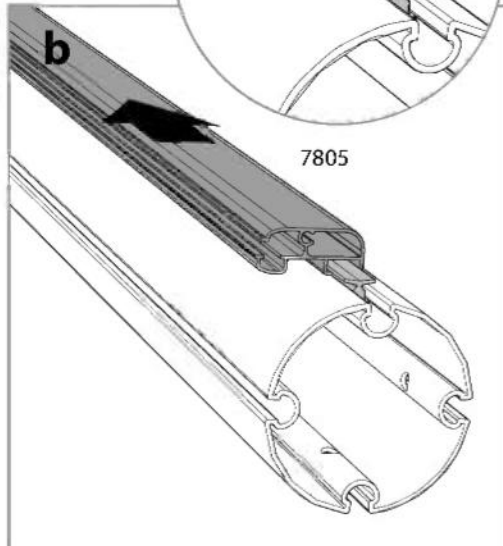
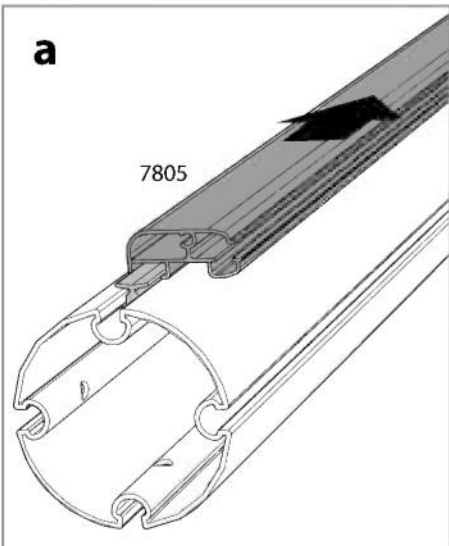
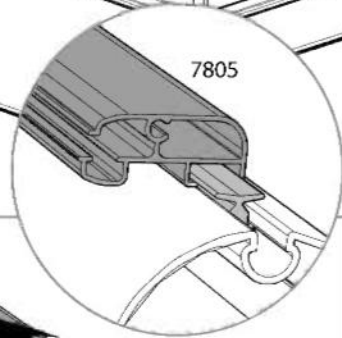
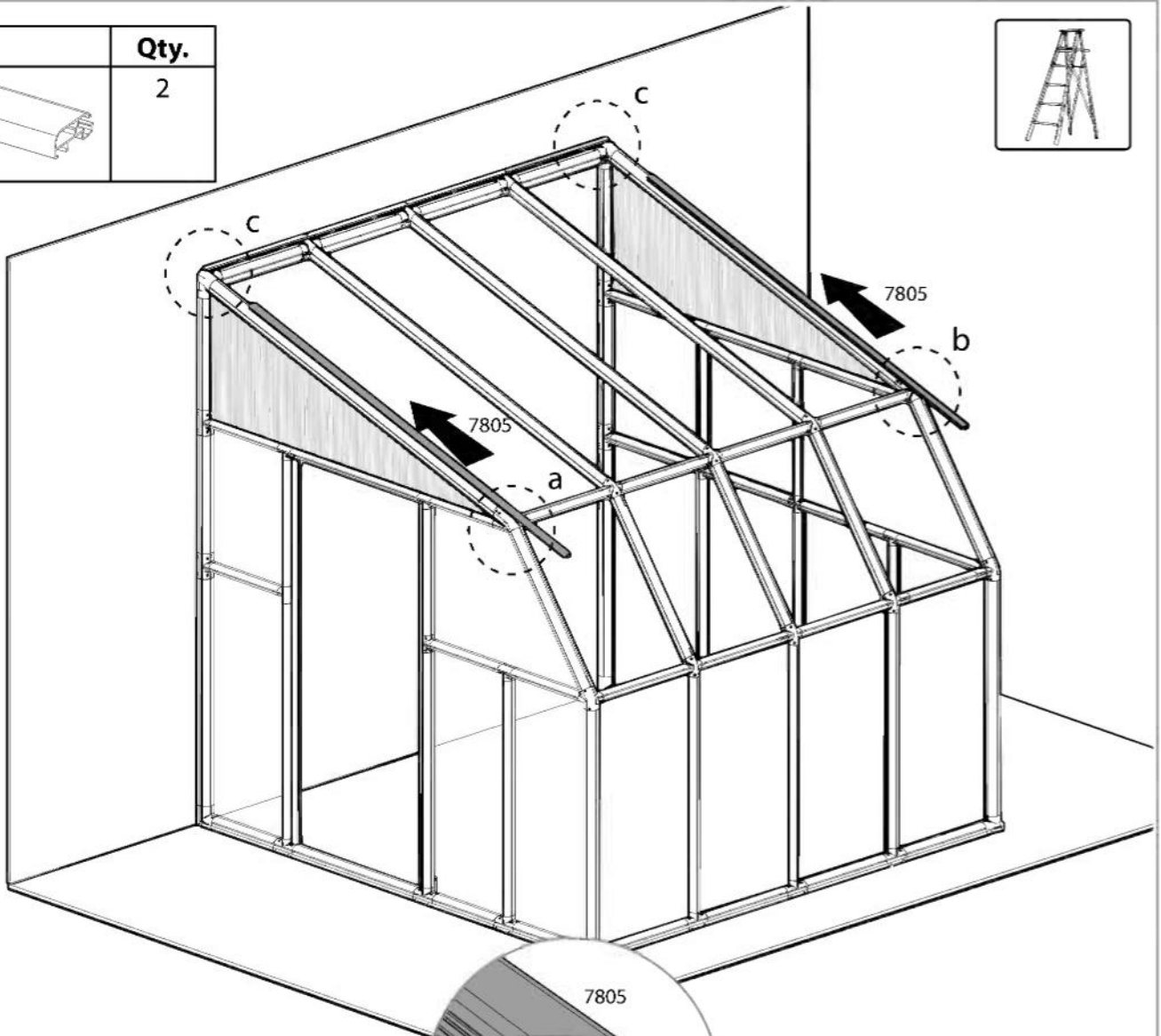


CAULK / SILICON




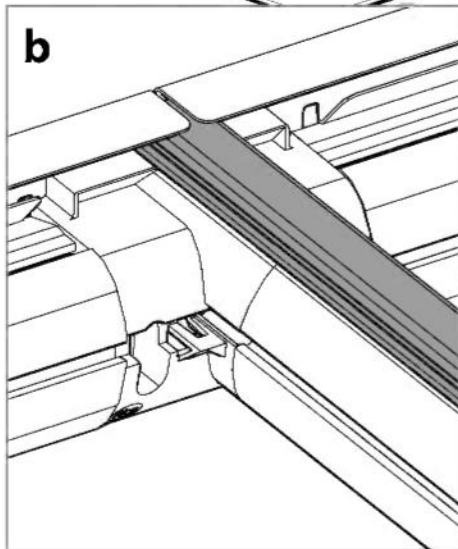
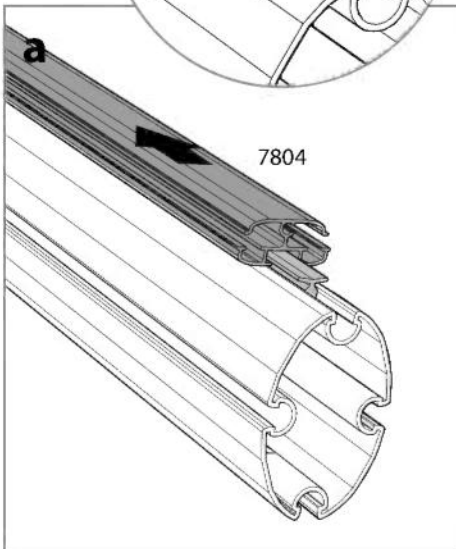
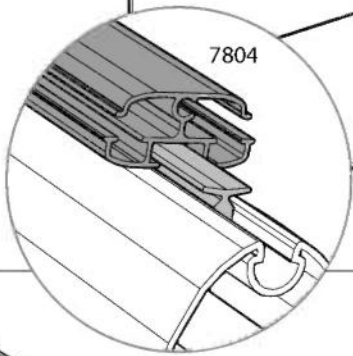
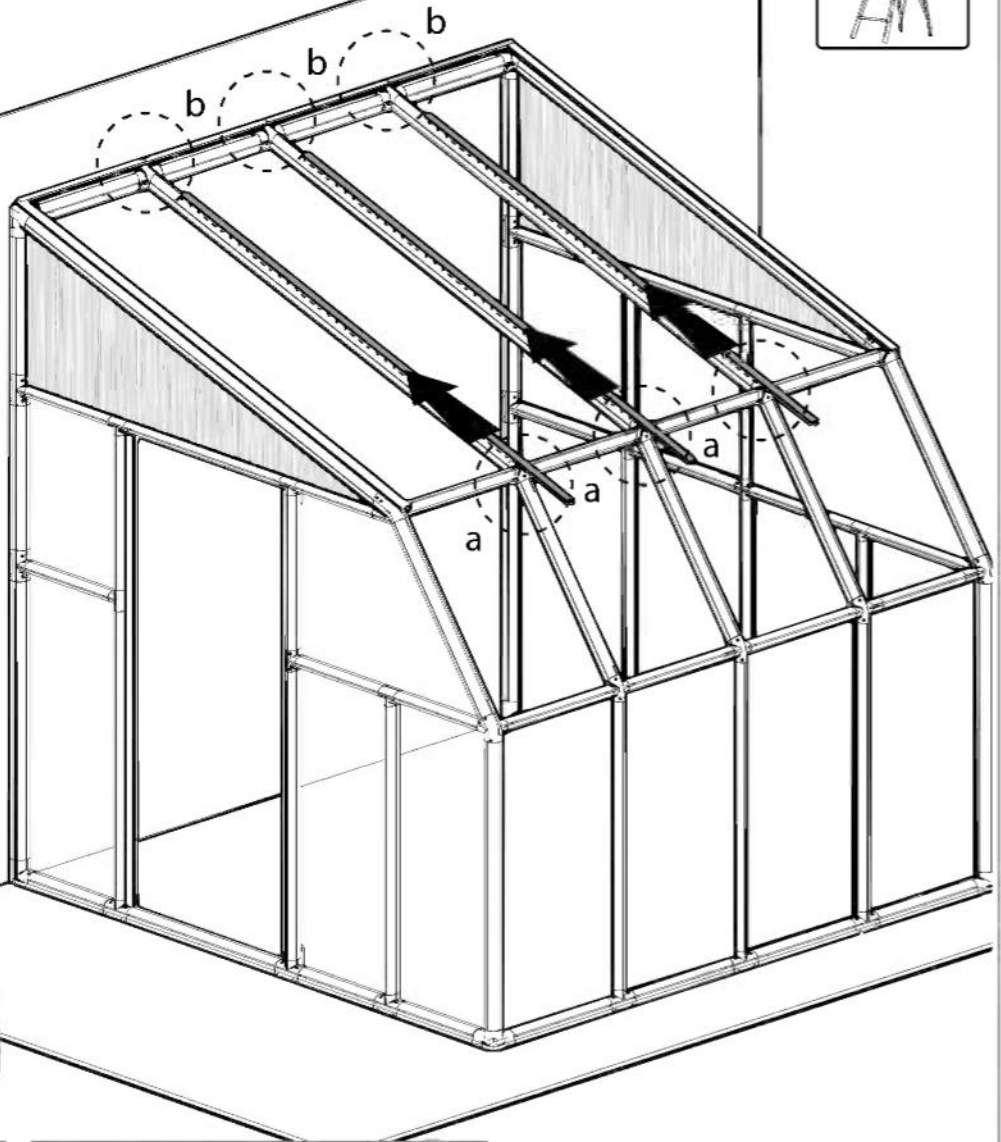
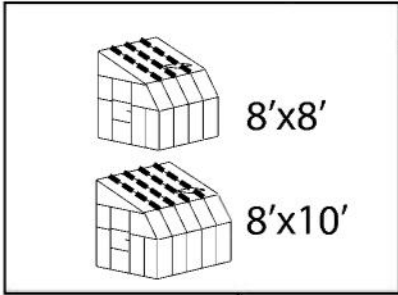


Item		Qty.
7805		2



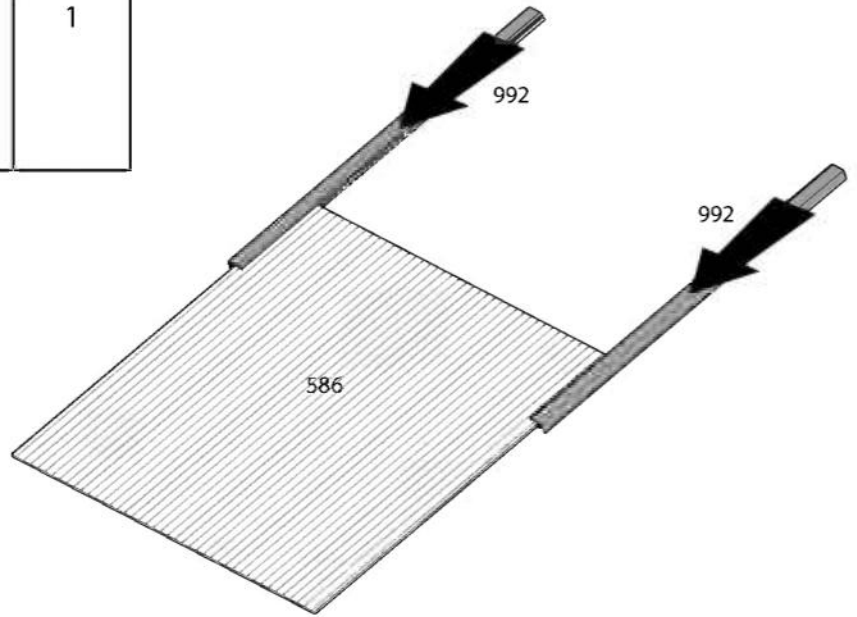
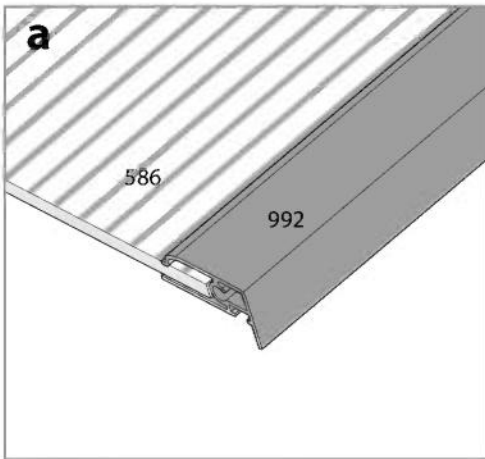


Item		Qty.
7804		3

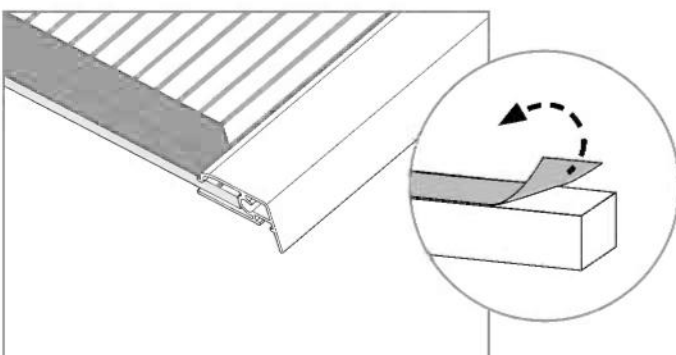
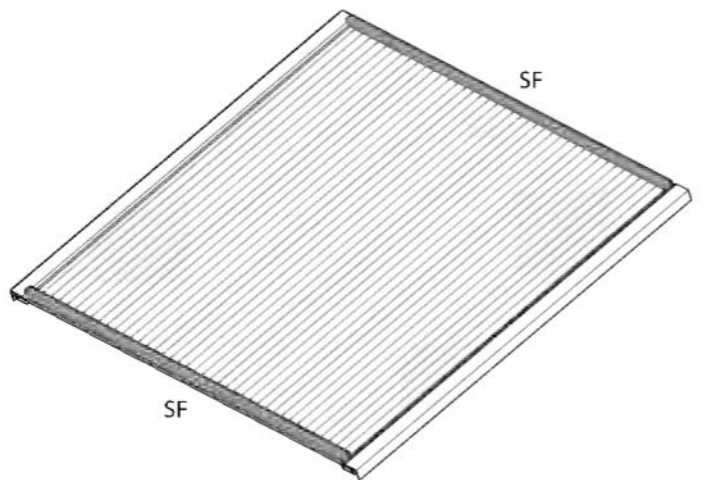
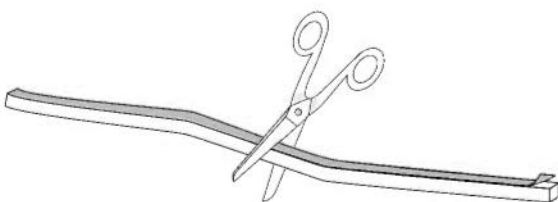








Item		Qty.
992		2
586		1

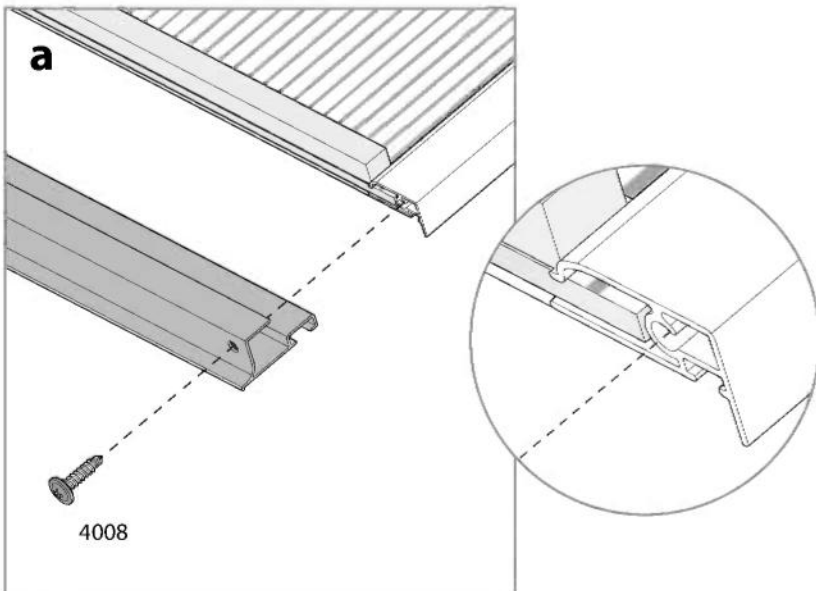
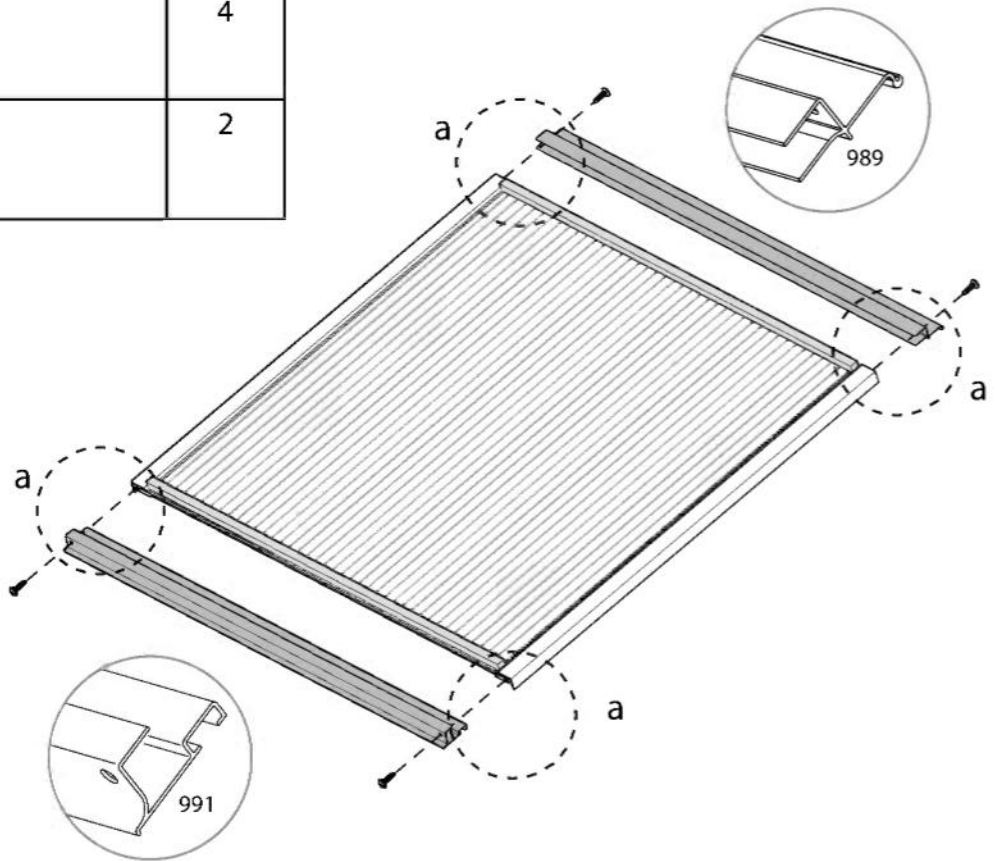


Item		Qty.
SF		1

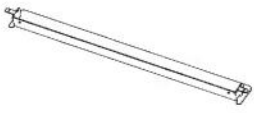
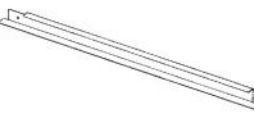
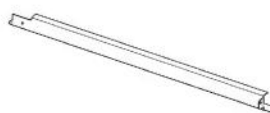




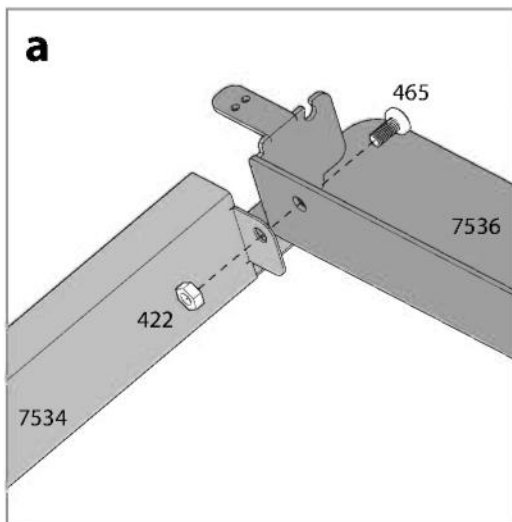
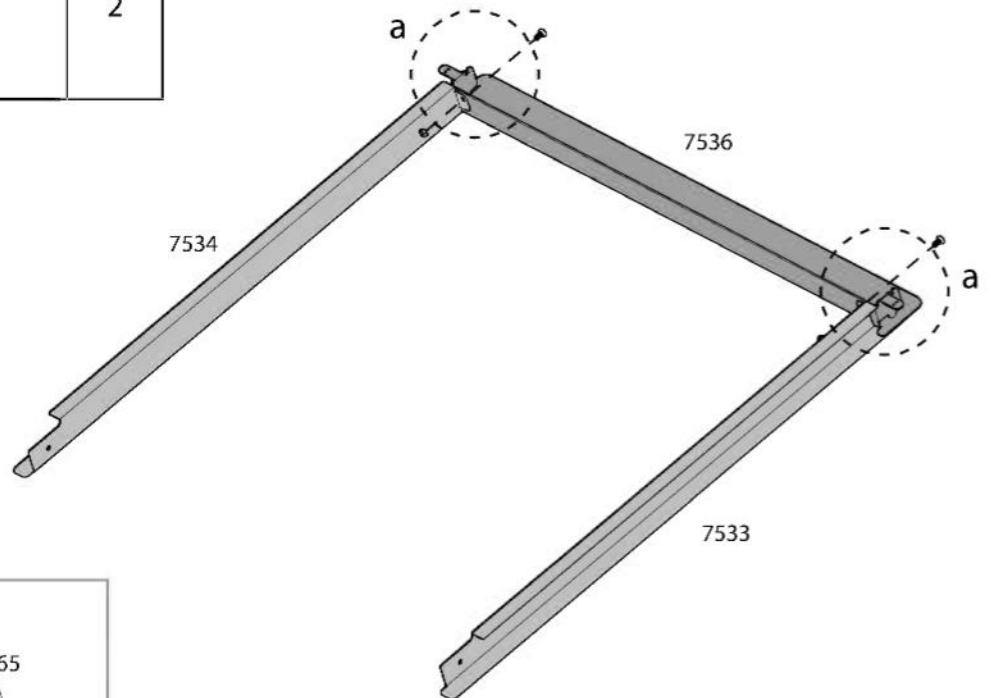


Item		Qty.
989		1
991		1
4008		4
411		2

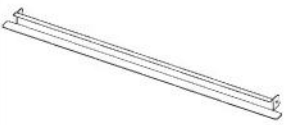




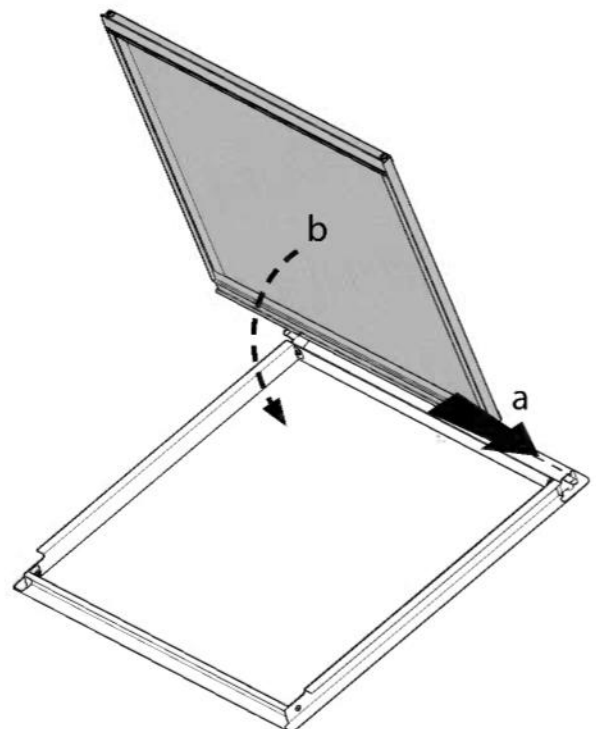
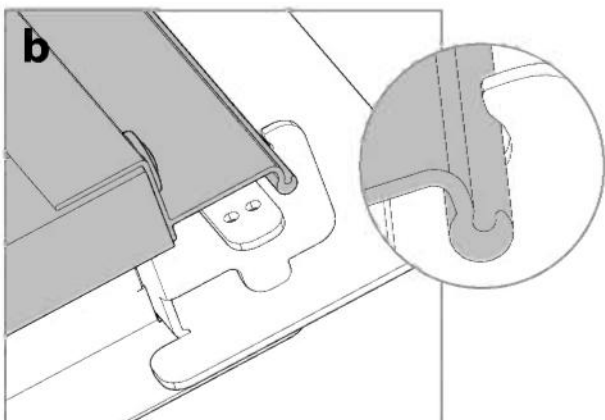
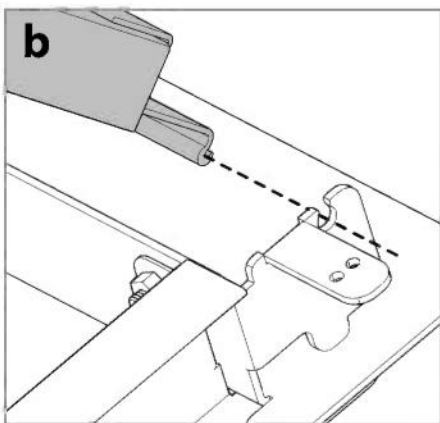
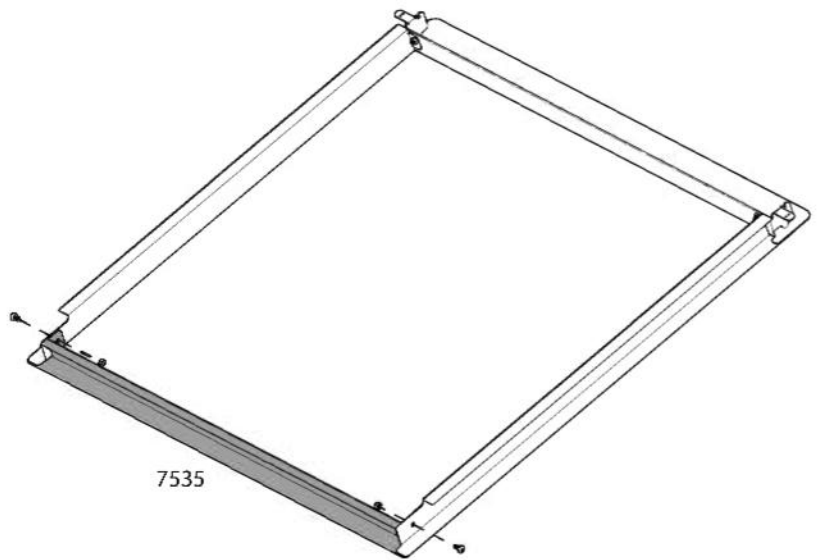
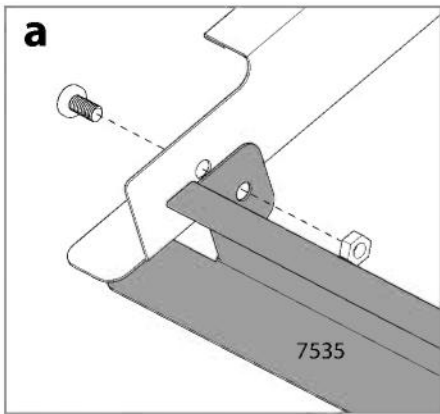


Item		Qty.
7536		1
7533		1
7534		1
465	 M4x8mm	2
422	 M4	2



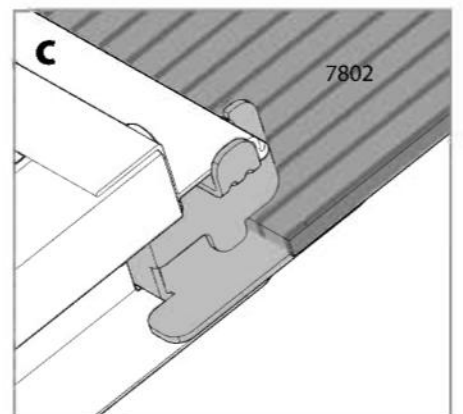
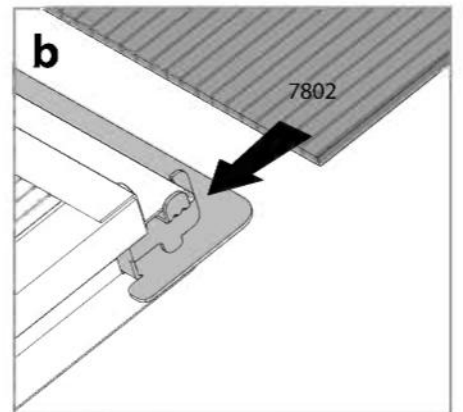
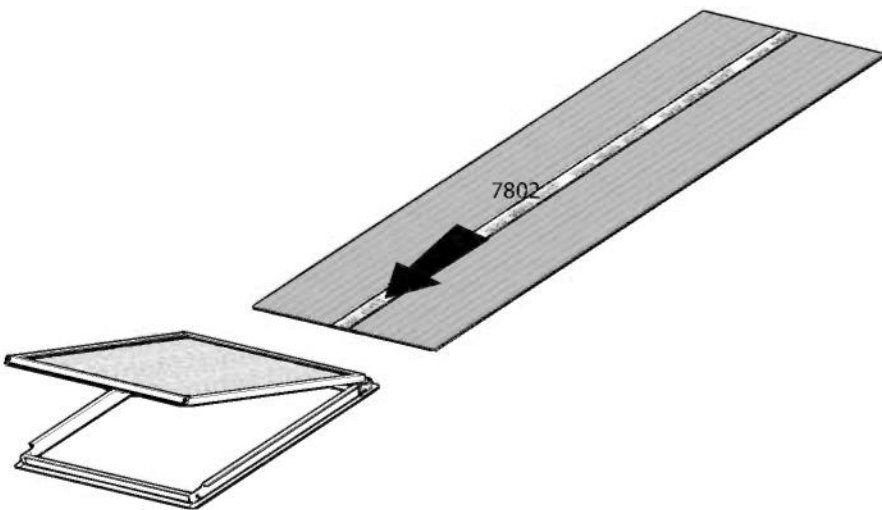
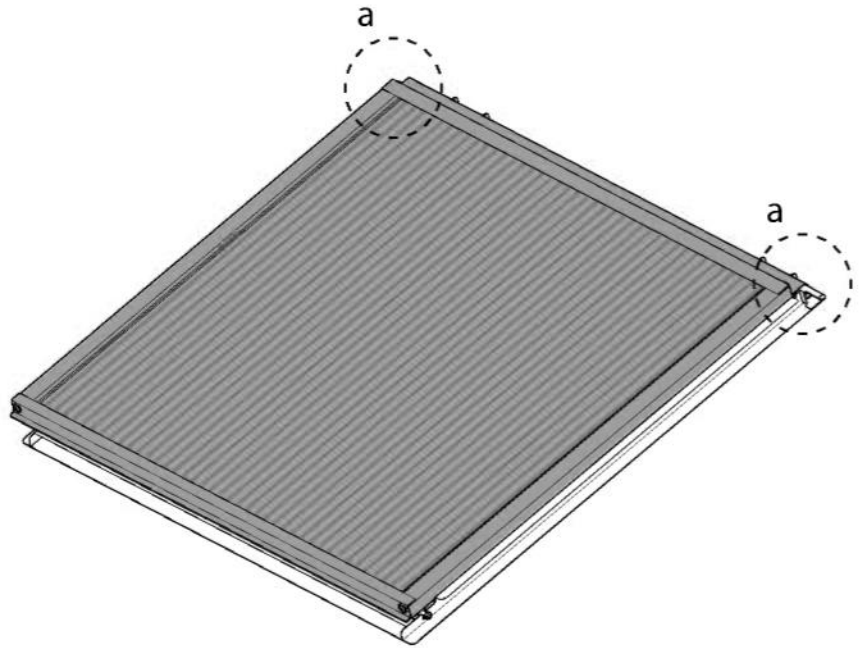
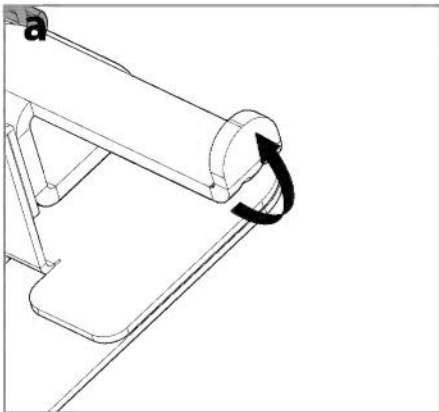


Item		Qty.
7535		1
465	 M4x8mm	2
422	 M4	2



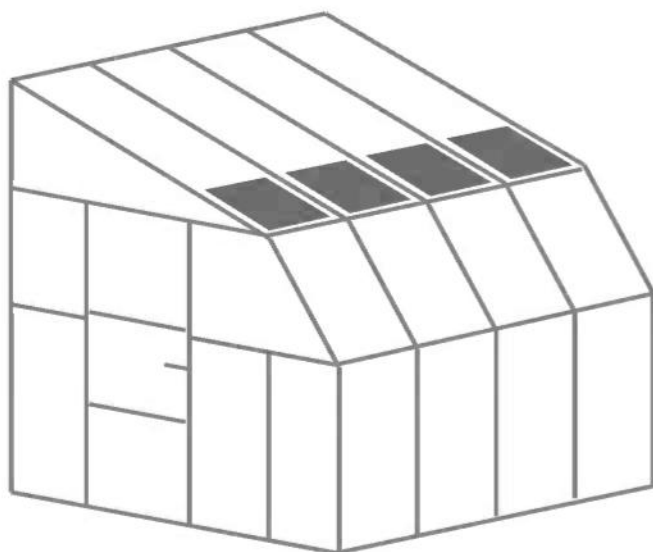
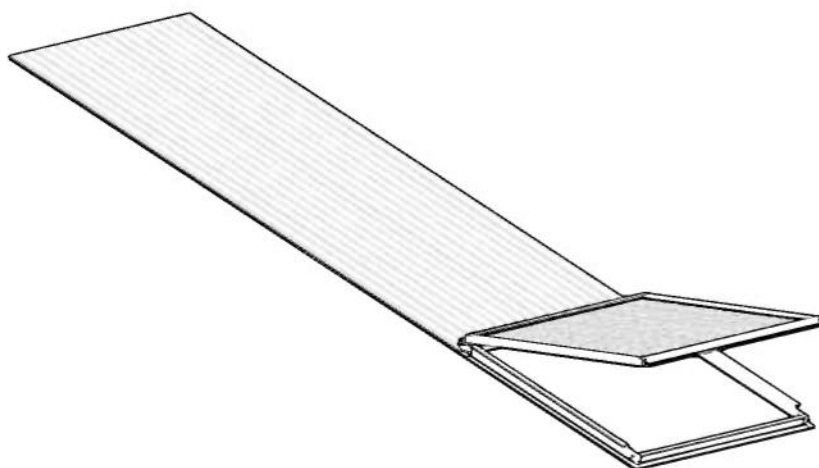


Item		Qty.
7802		1




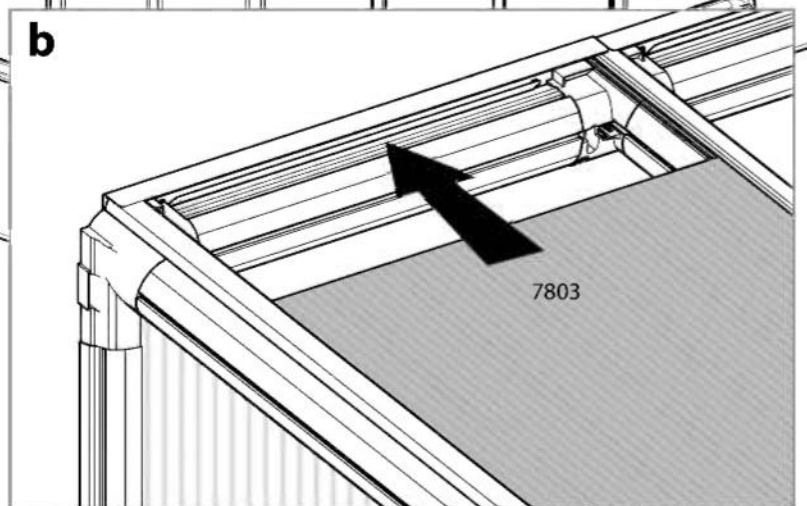
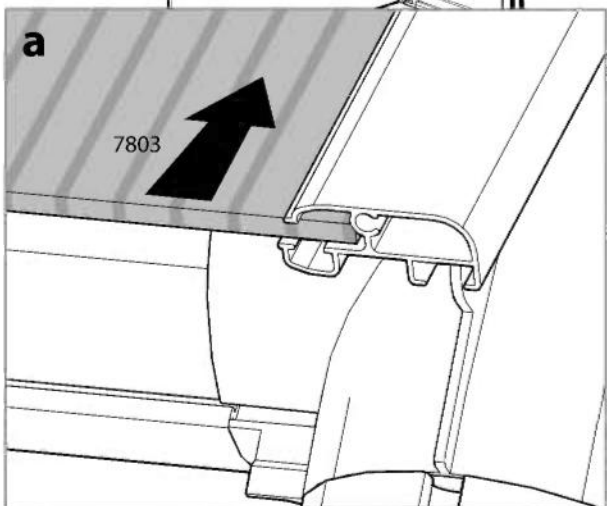
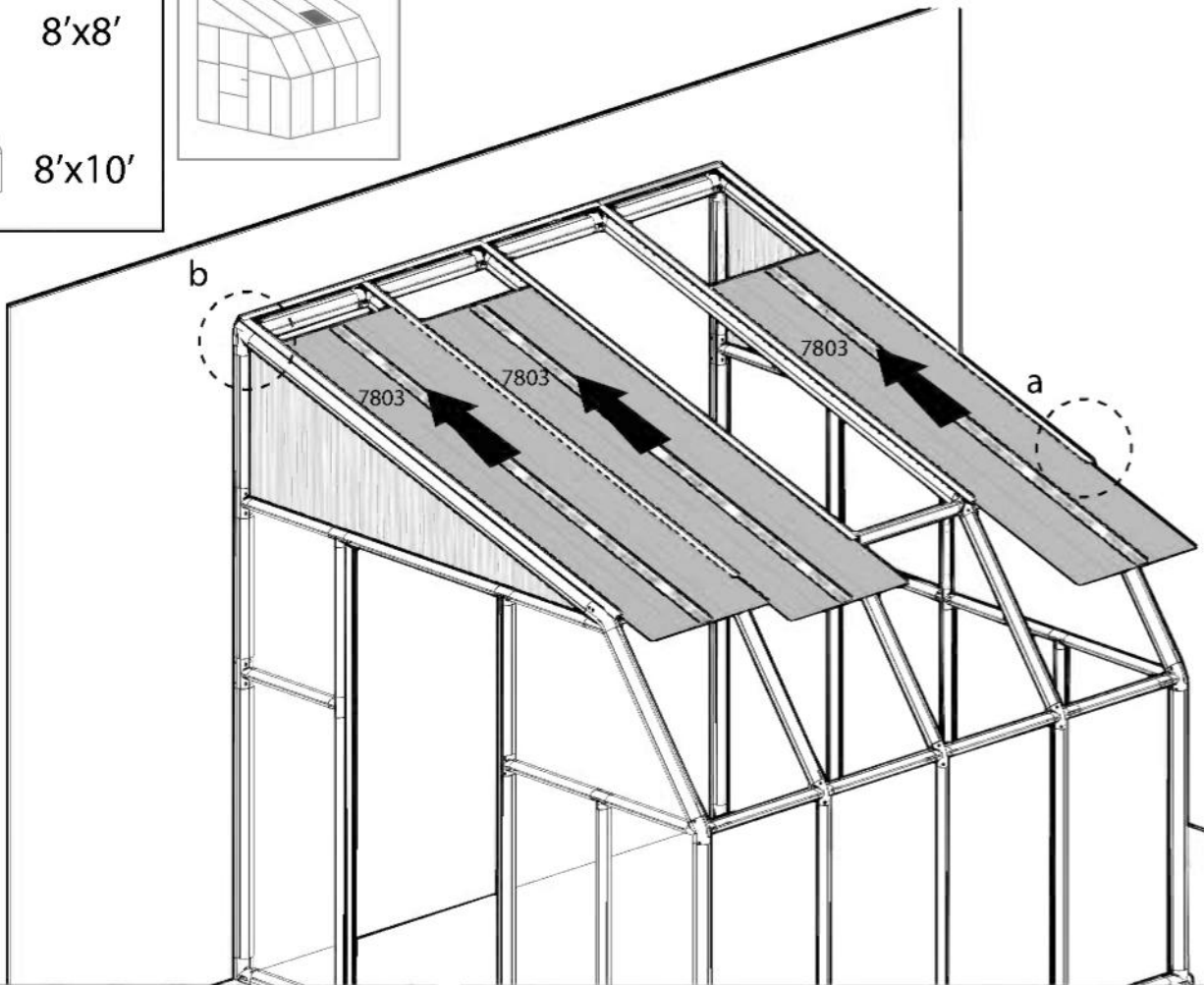
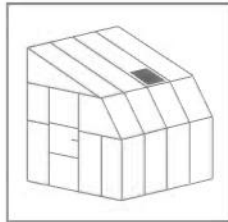
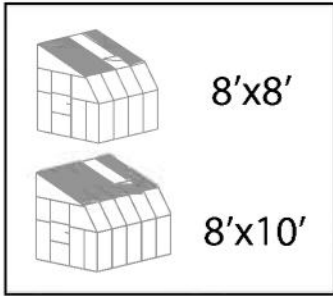


- EN** Windows Location
- DE** Fenster Standort
- FR** Fenêtre Emplacement
- ES** Ventana Ubicación

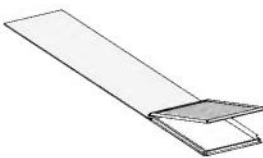


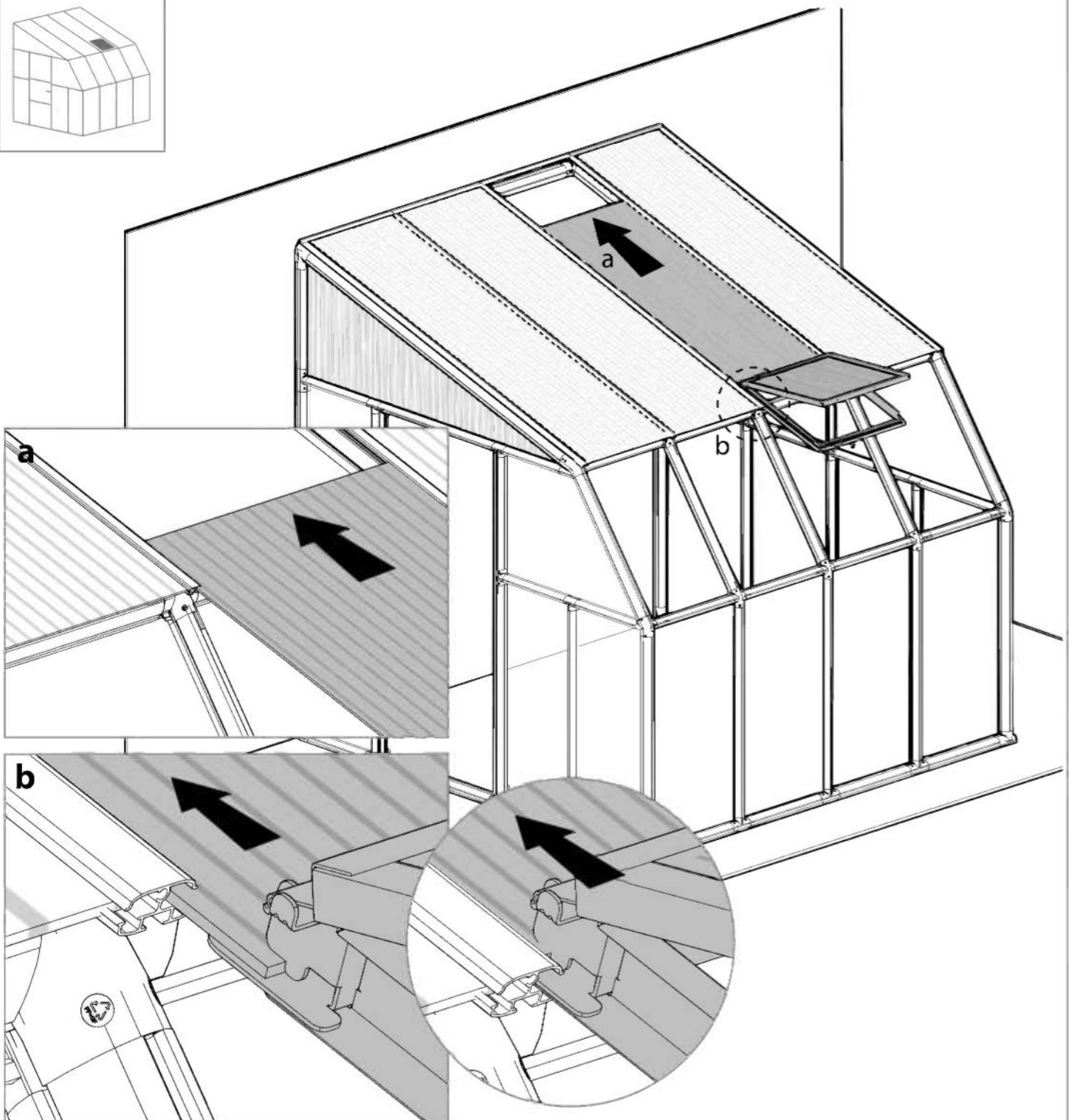
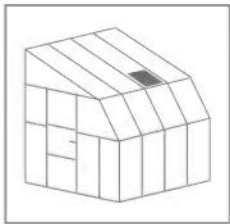


Item		Qty.
7803		3



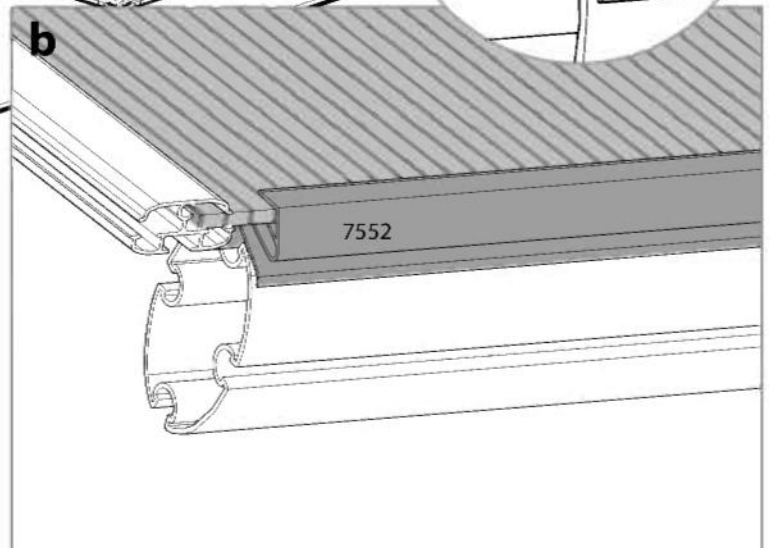
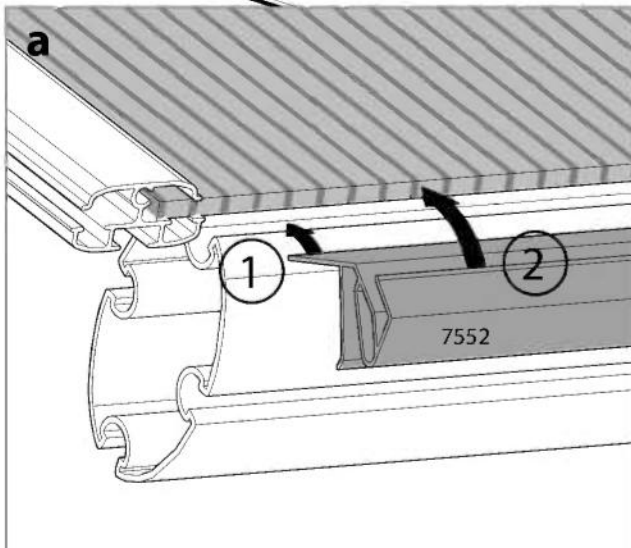
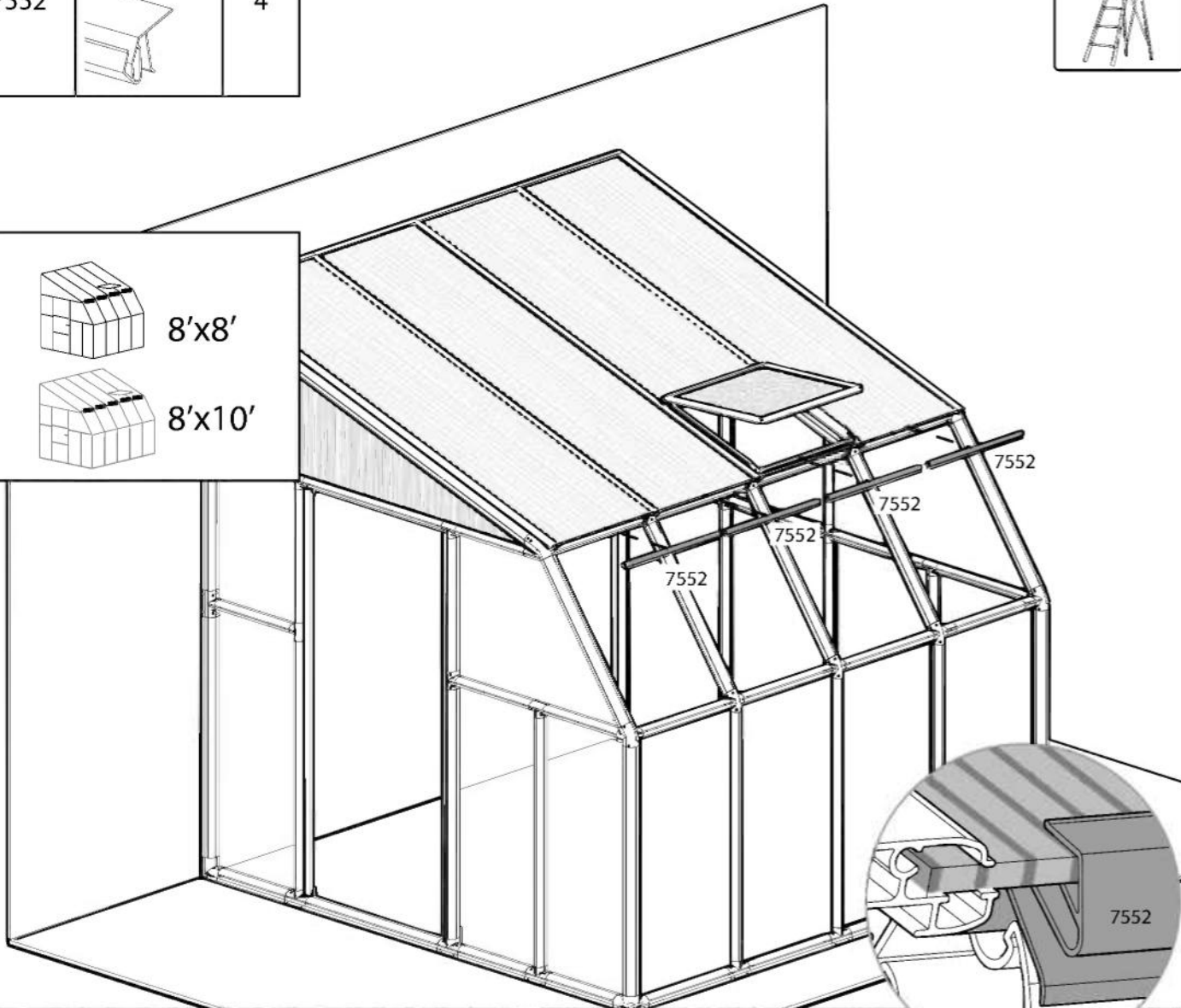
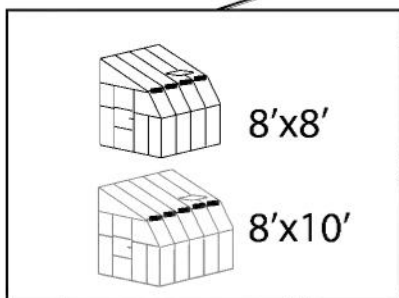


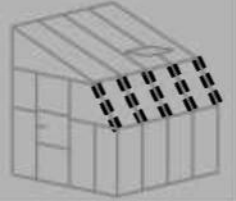
Item		Qty.
Window		1



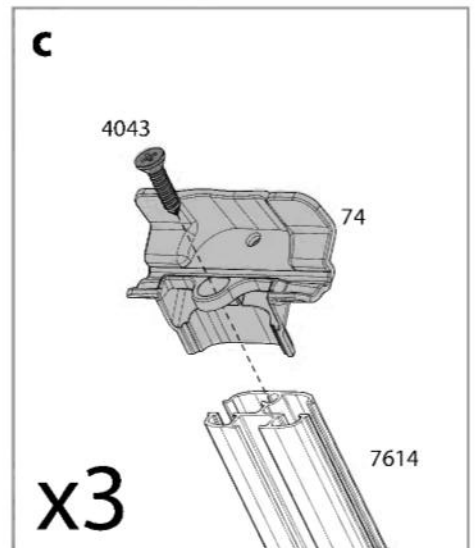
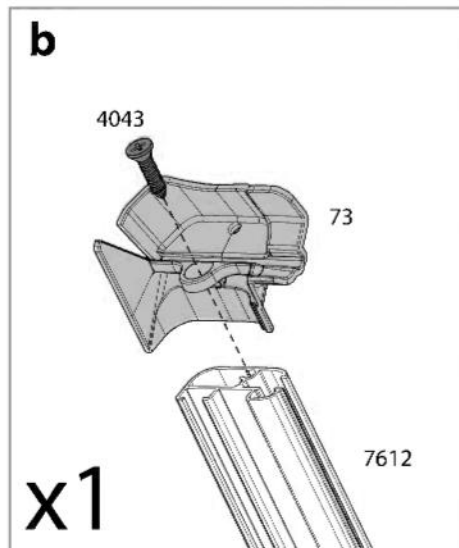
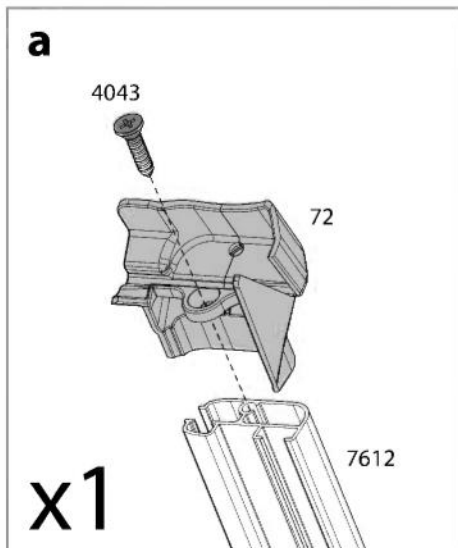
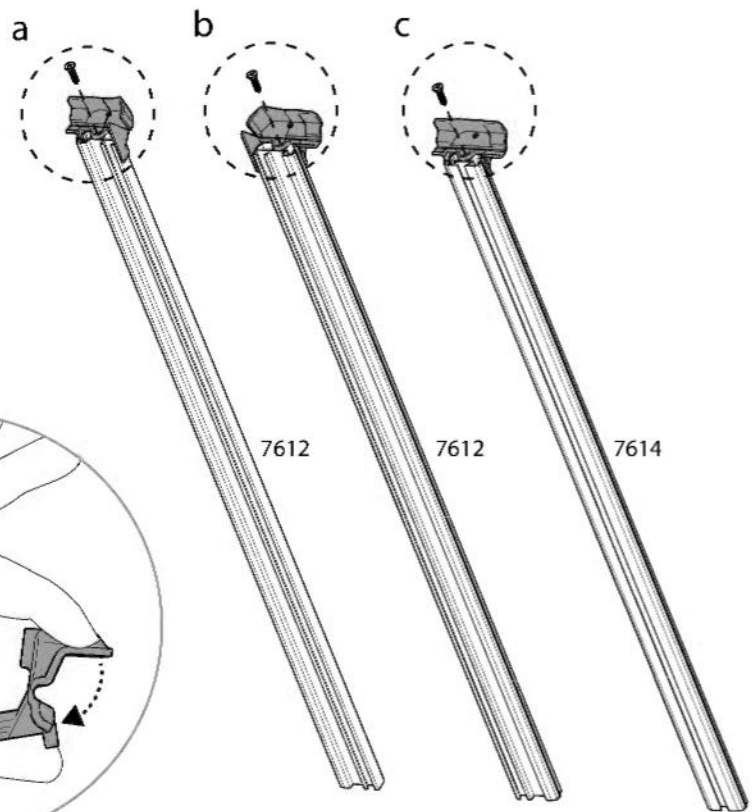
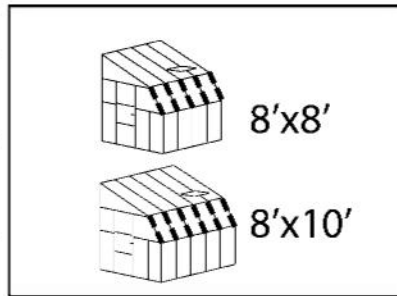


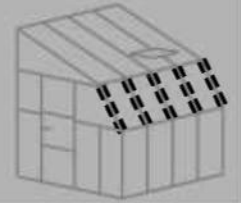
Item		Qty.
7552		4




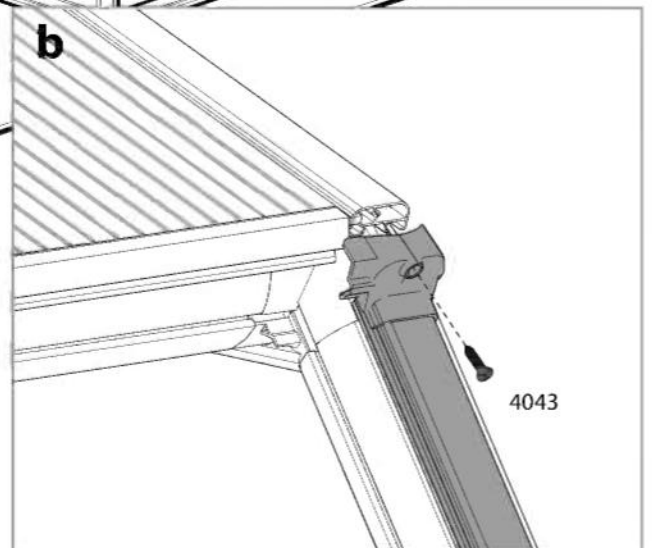
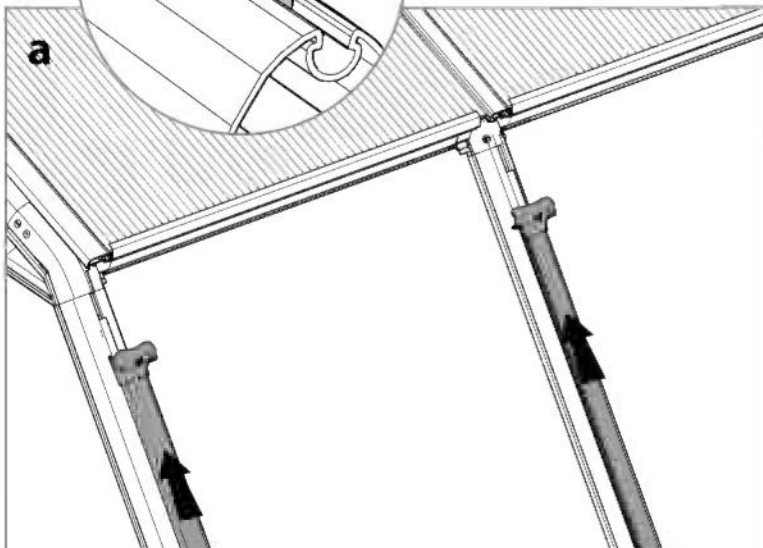
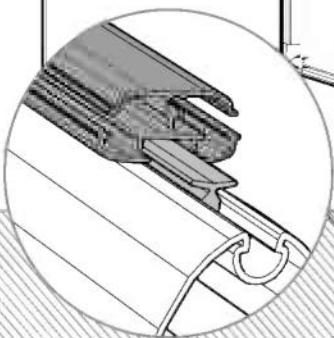
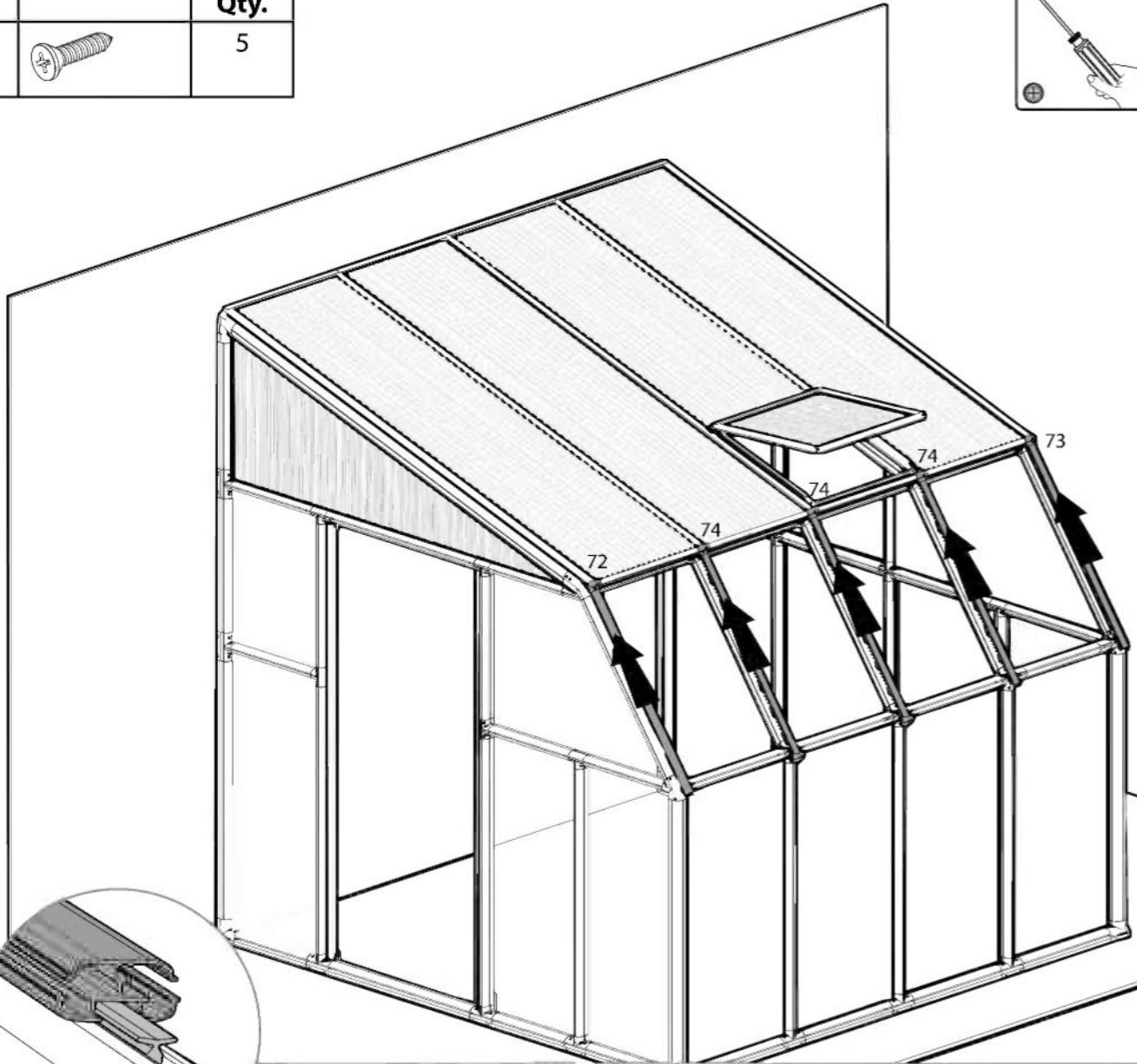


Item		Qty.
72		1
73		1
74		3
7612		2
7614		3
4043		5







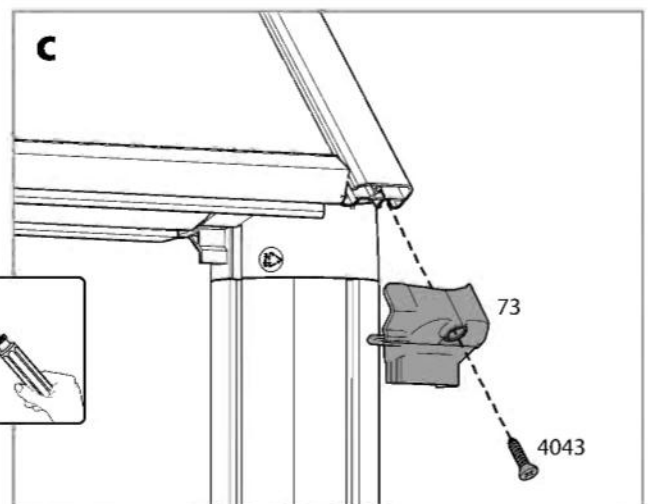
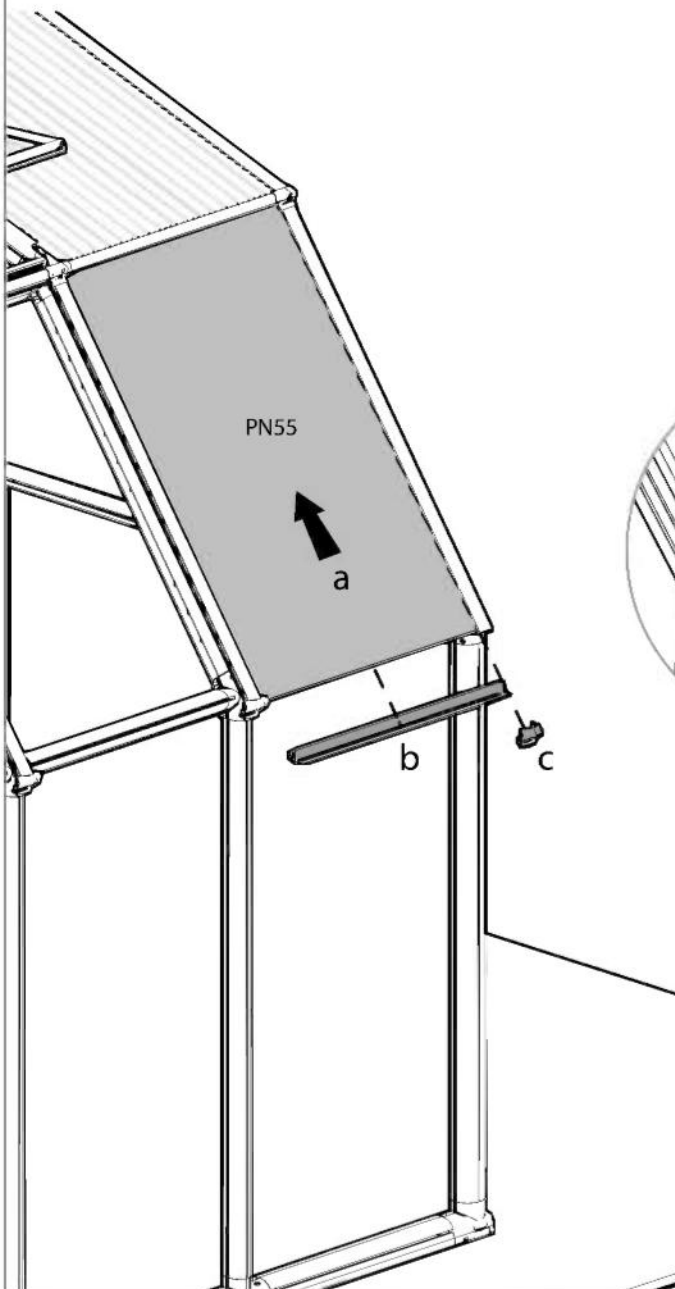
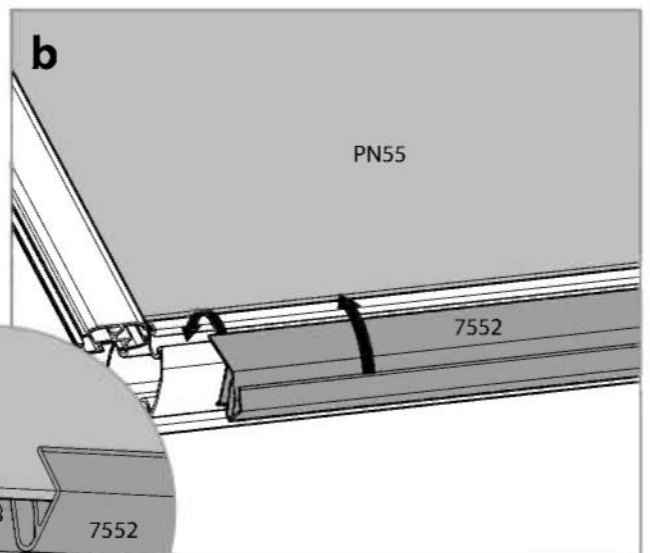
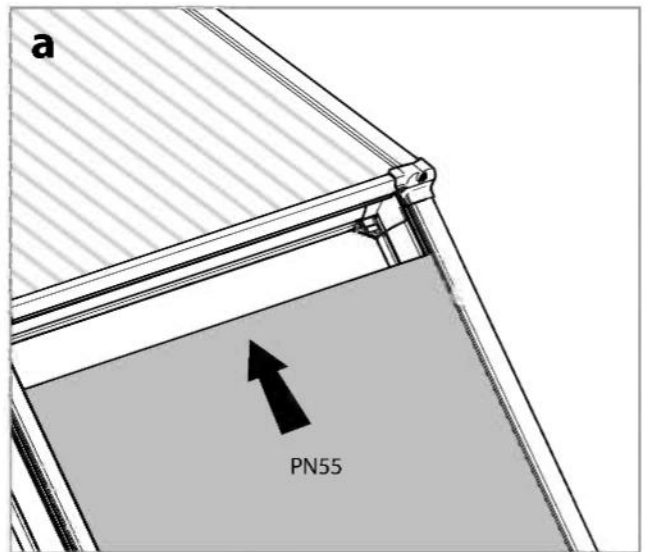


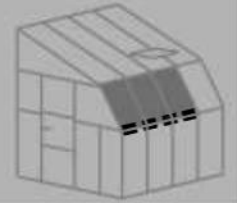
Item		Qty.
4043		5





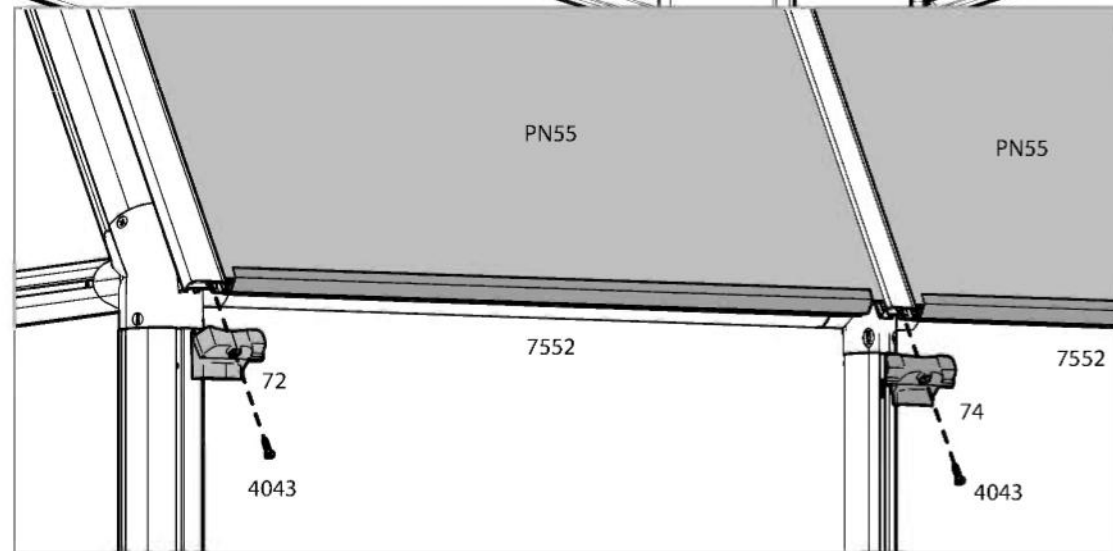
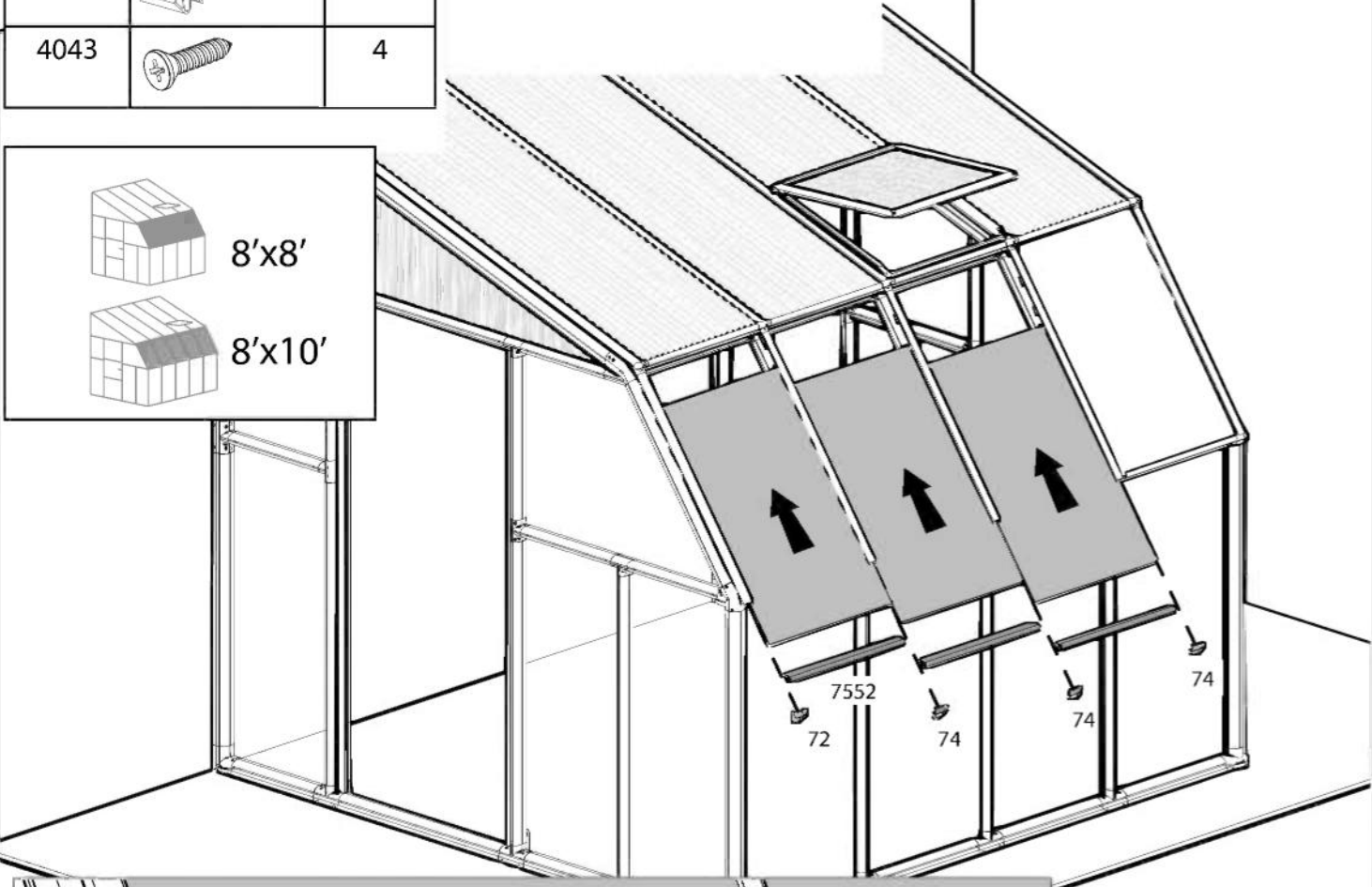
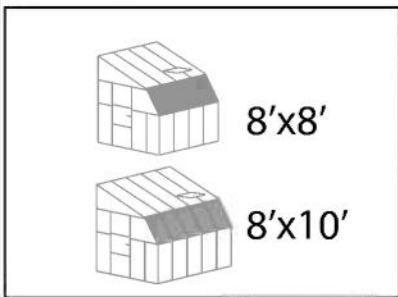
Item		Qty.
PN55		1
7552		1
4043		1
73		1





Item		Qty.
PN55		3
7552		3
4043		4

Item		Qty.
72		1
74		3



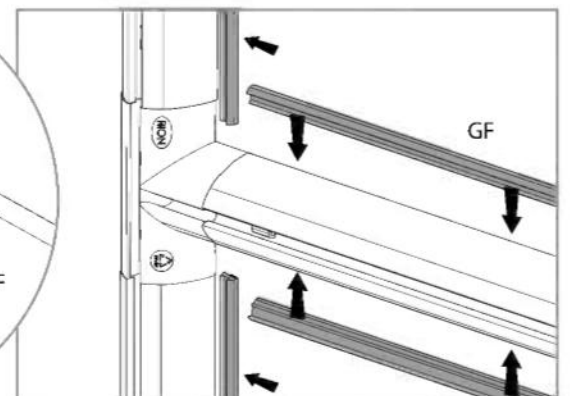
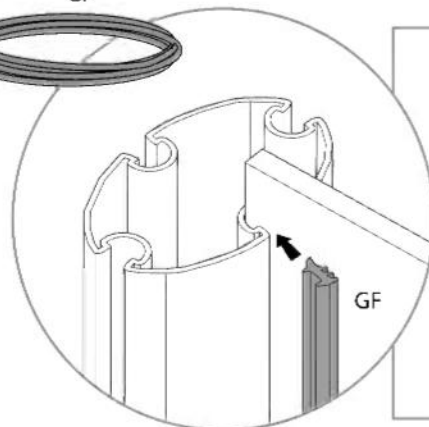
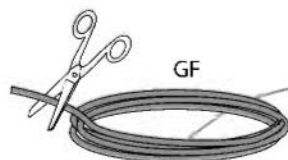
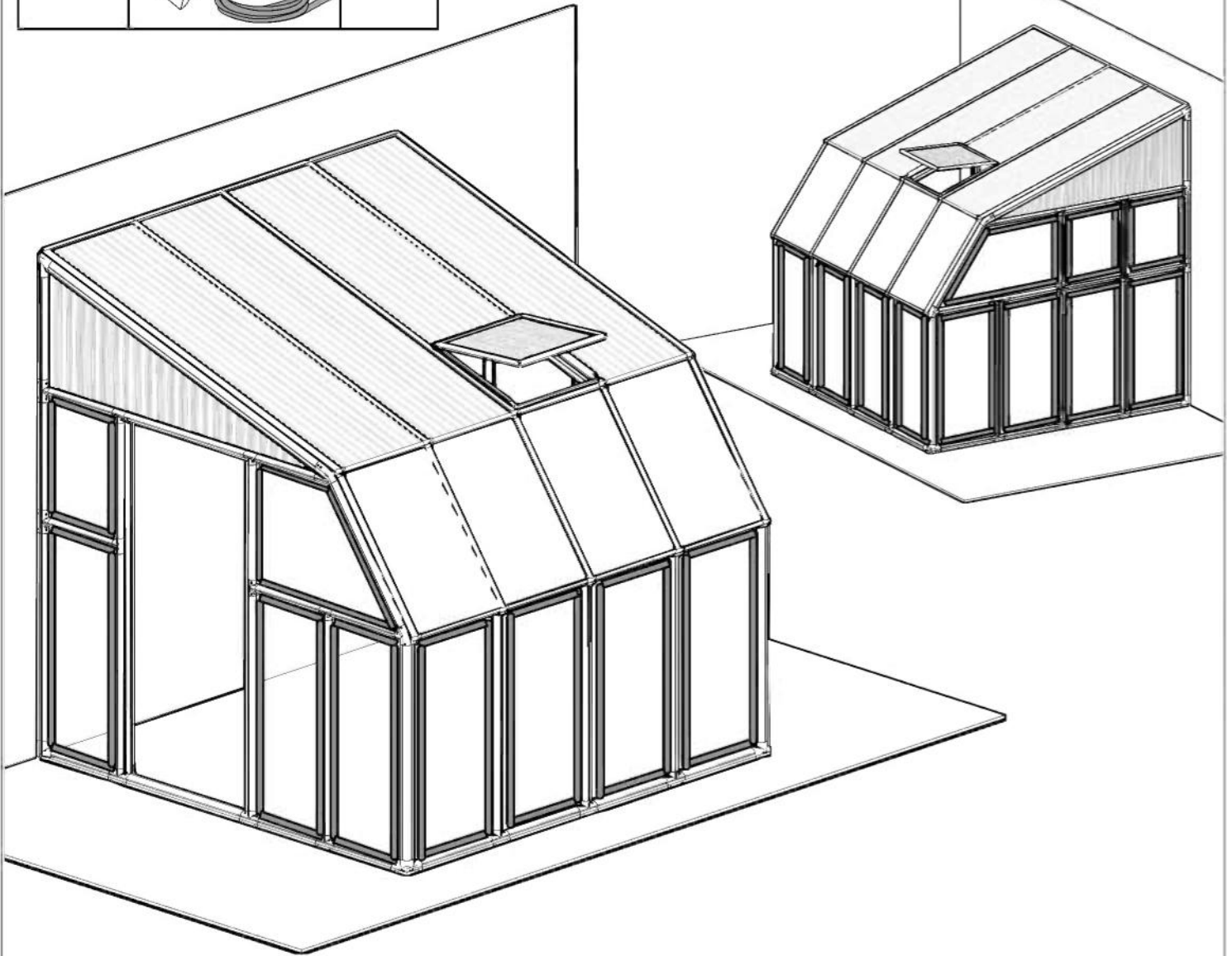


57


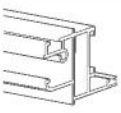


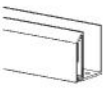

Insert the rubber strip (Part GF) from the outside of the product. Cut the remaining edges.

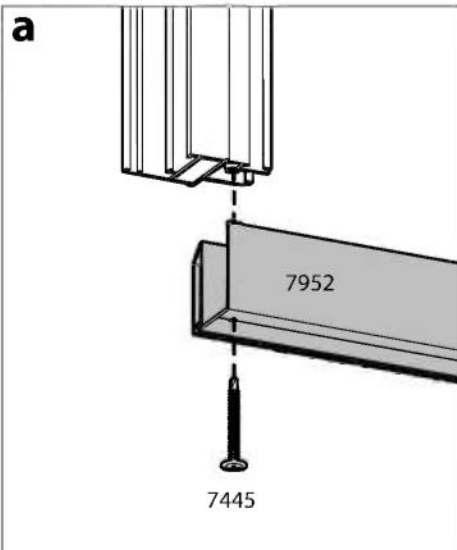
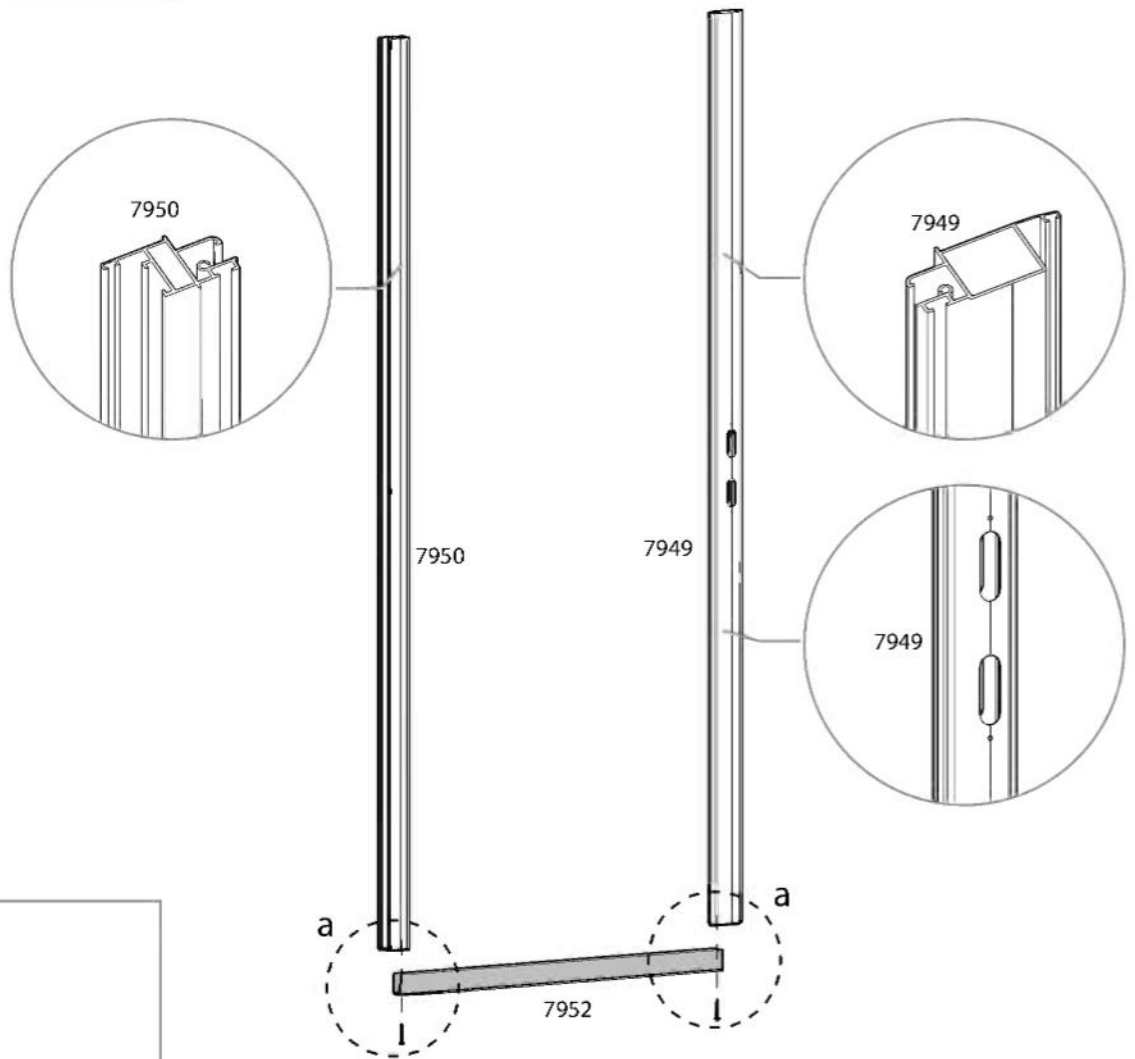
Item		Qty.
GF		





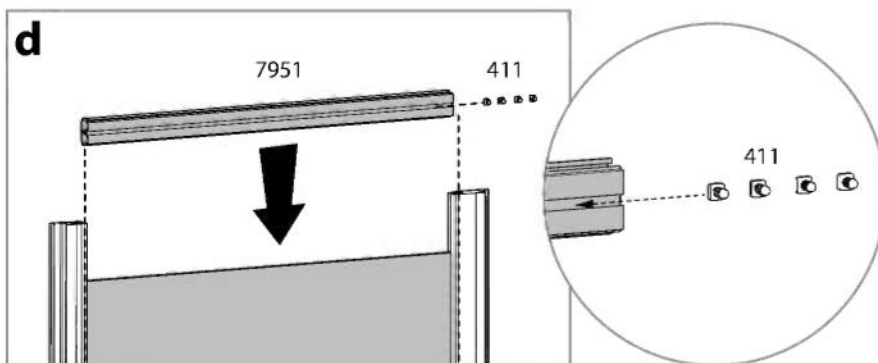
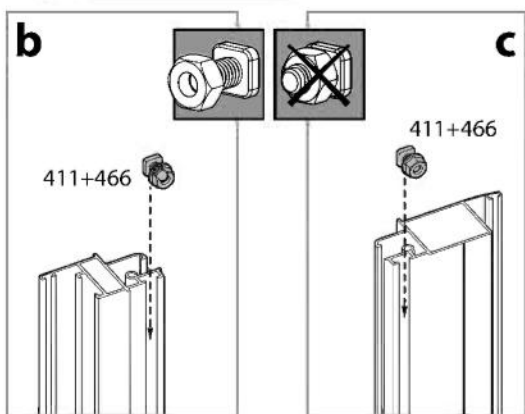
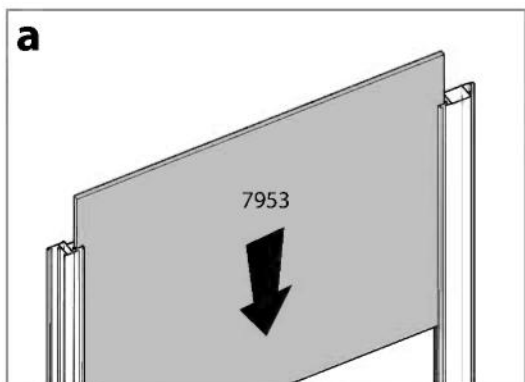
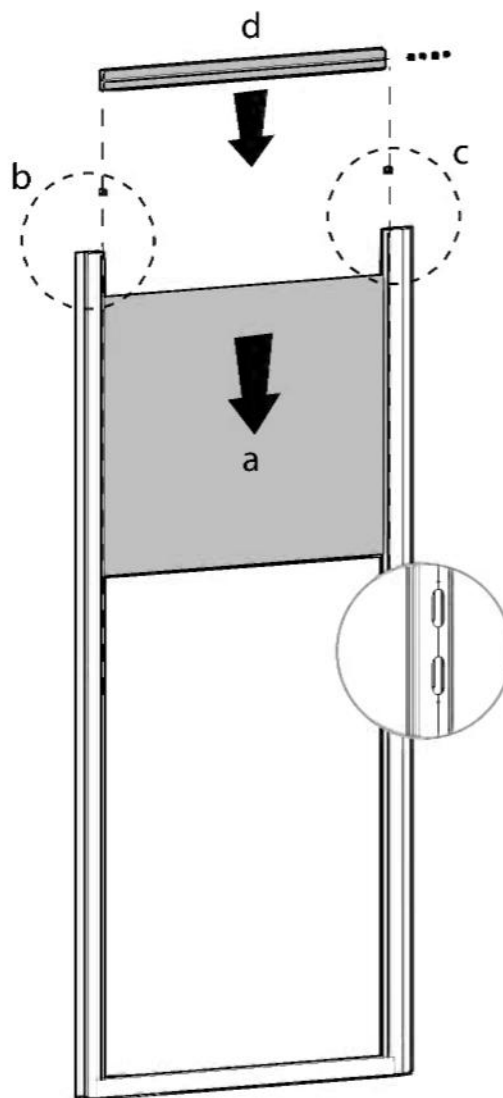
Item		Qty.
7949		1
7950		1

Item		Qty.
7952		1
7445		2

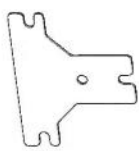




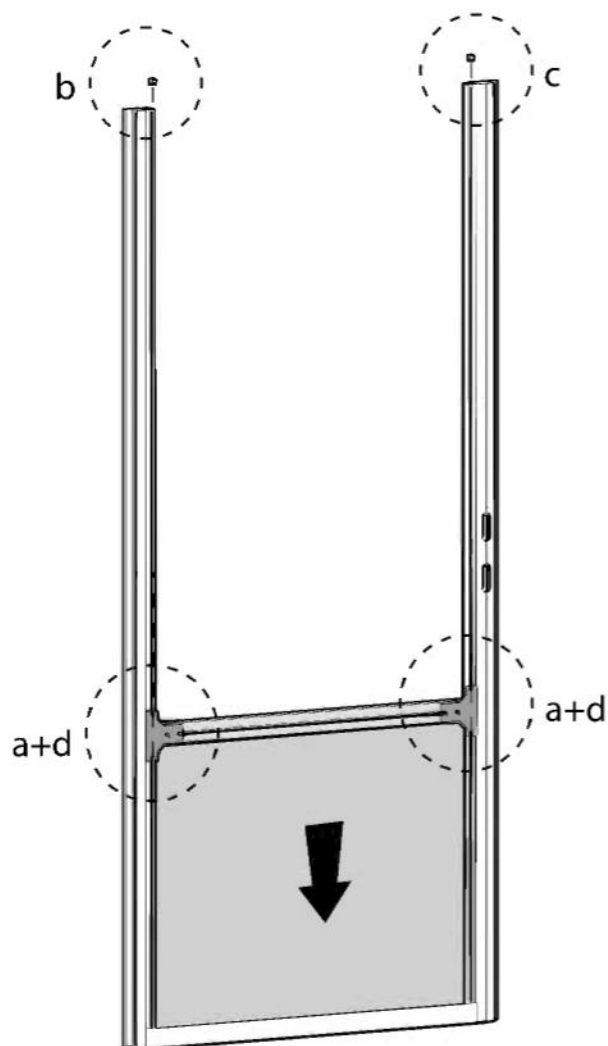
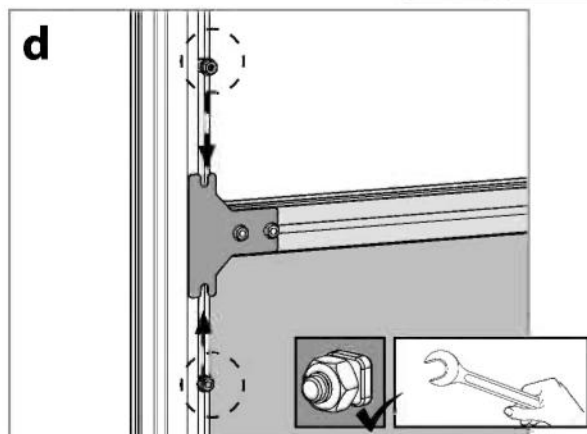
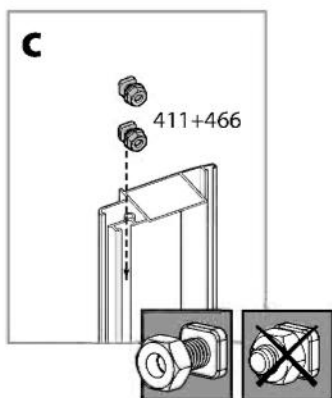
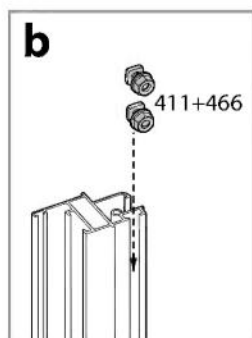
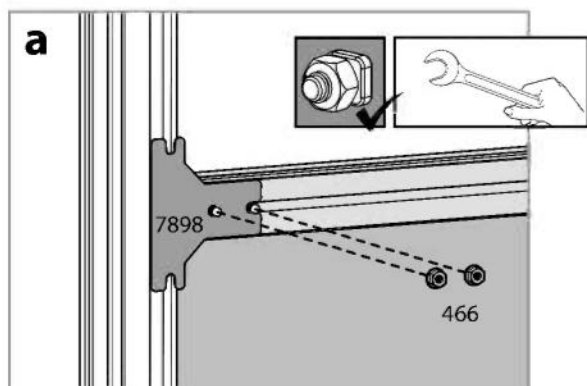


Item		Qty.
7953		1
7951		1
411		6
466		2



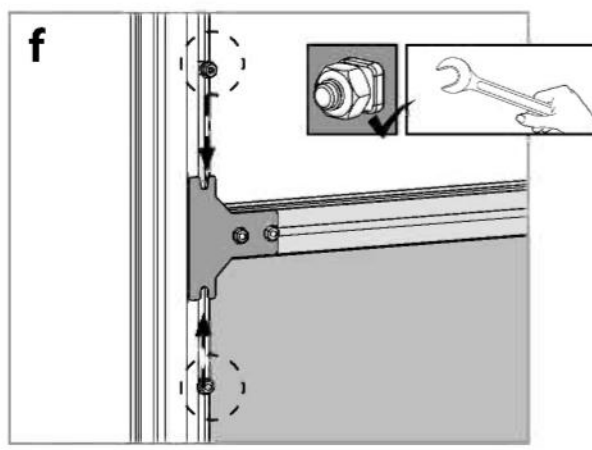
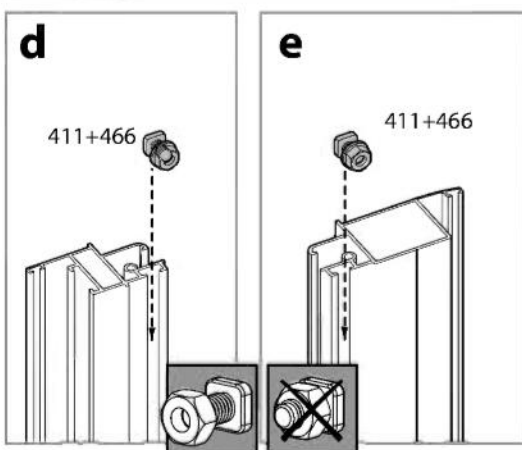
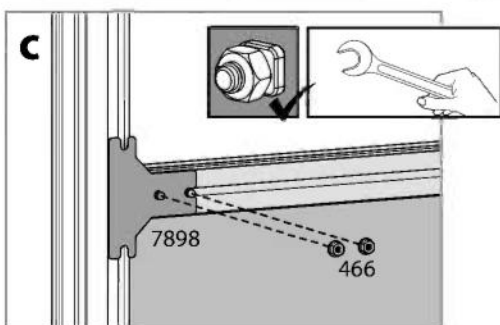
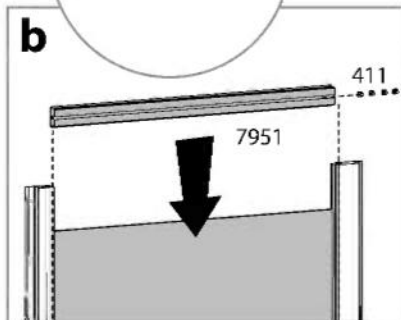
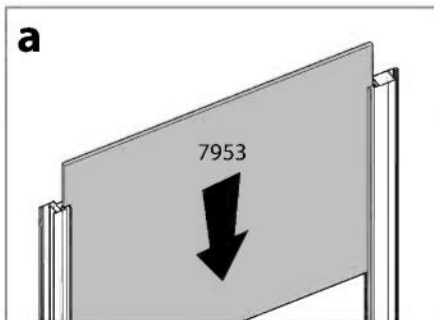
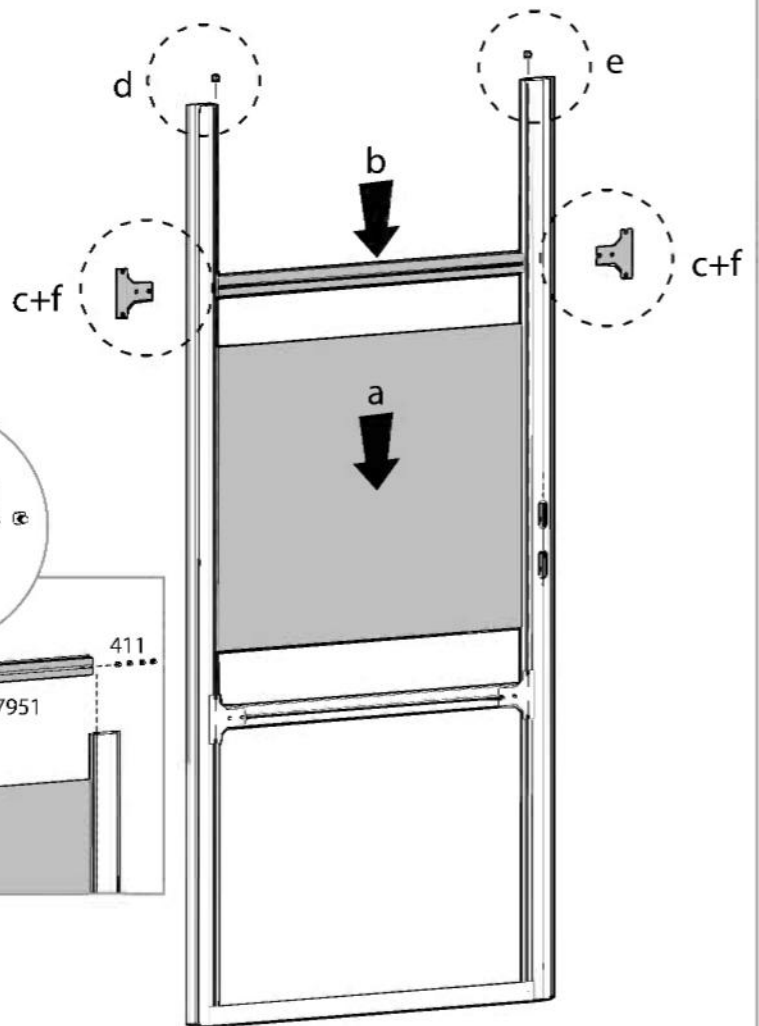


Item		Qty.
7898		2
466		8
411		4






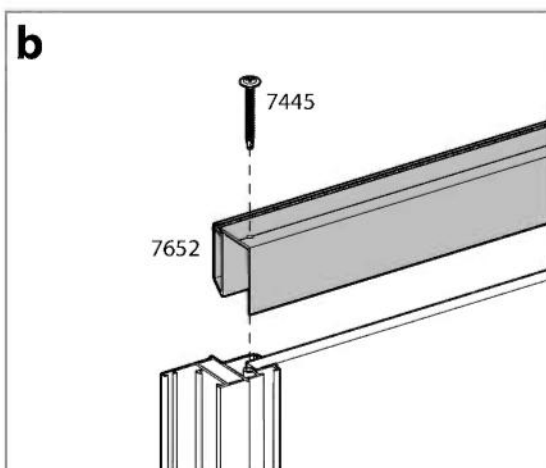
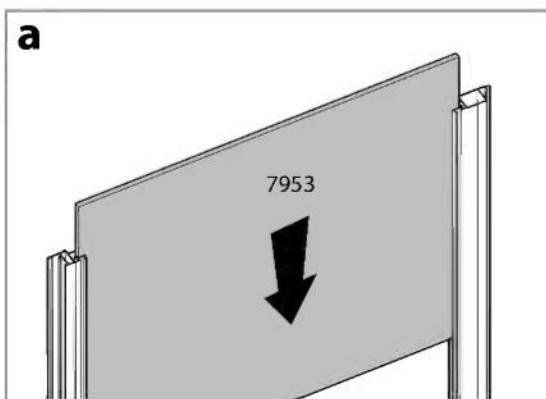
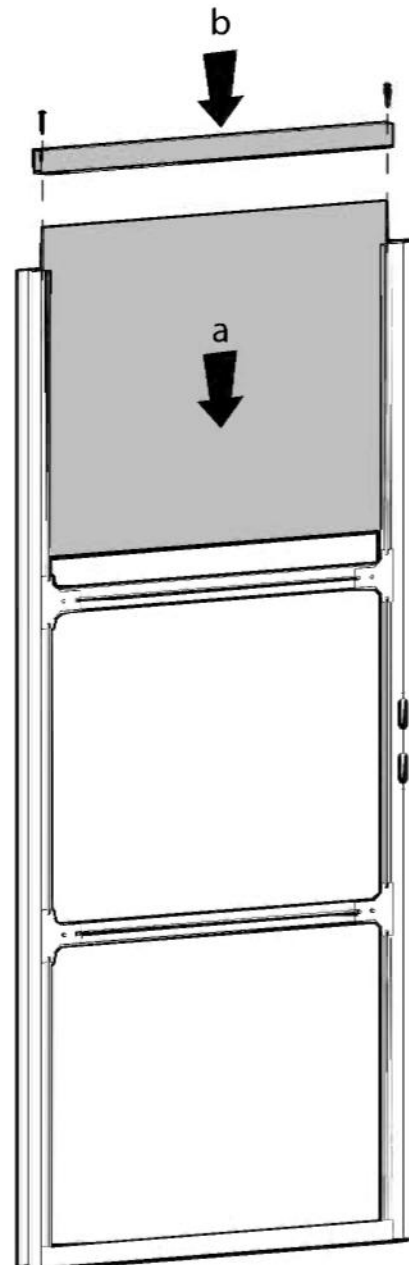


Item		Qty.
7953		1
7951		1
7898		2
411		6
466		6



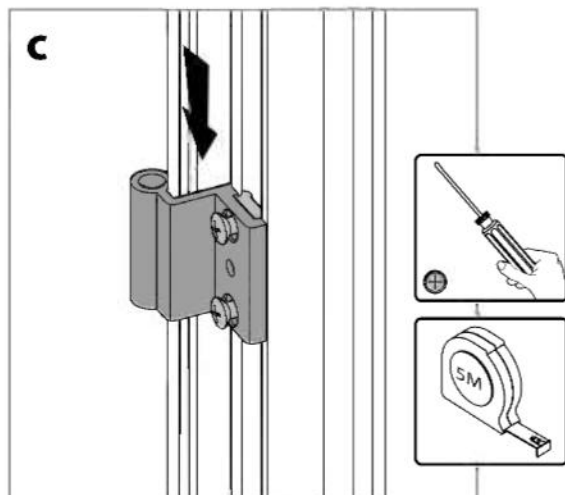
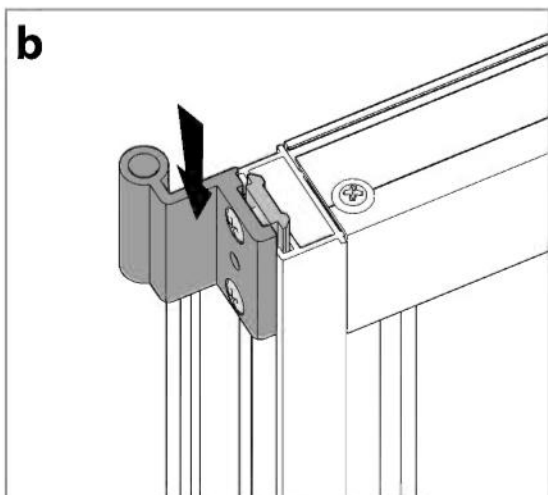
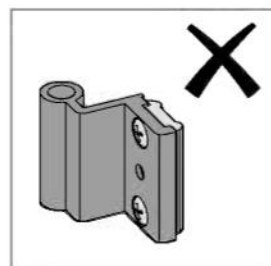
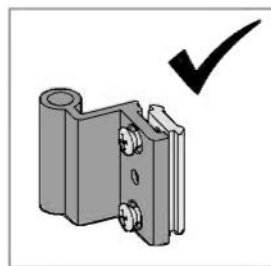
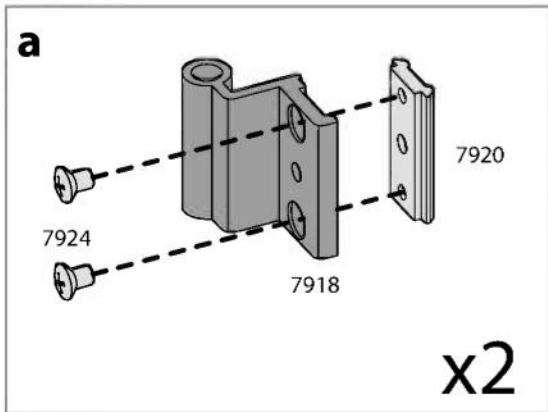
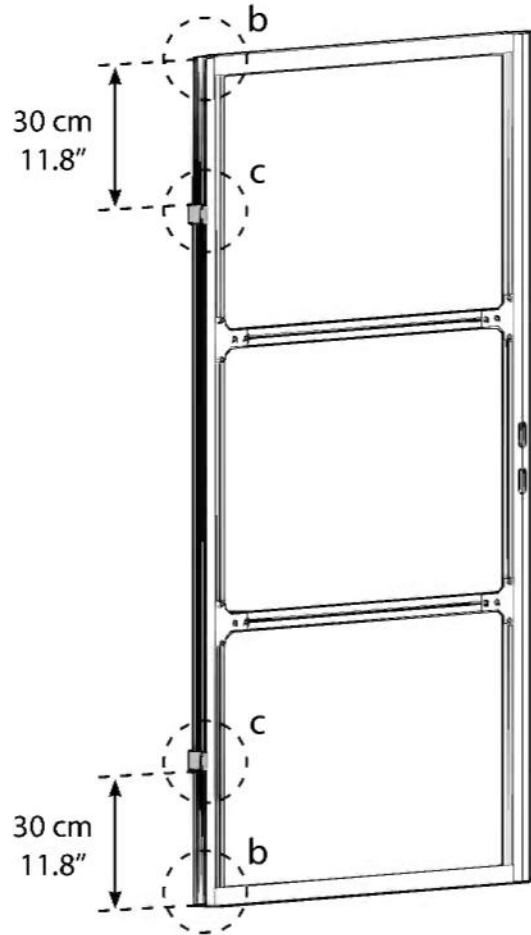


Item		Qty.
7953		1
7952		1
7445		2




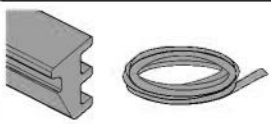


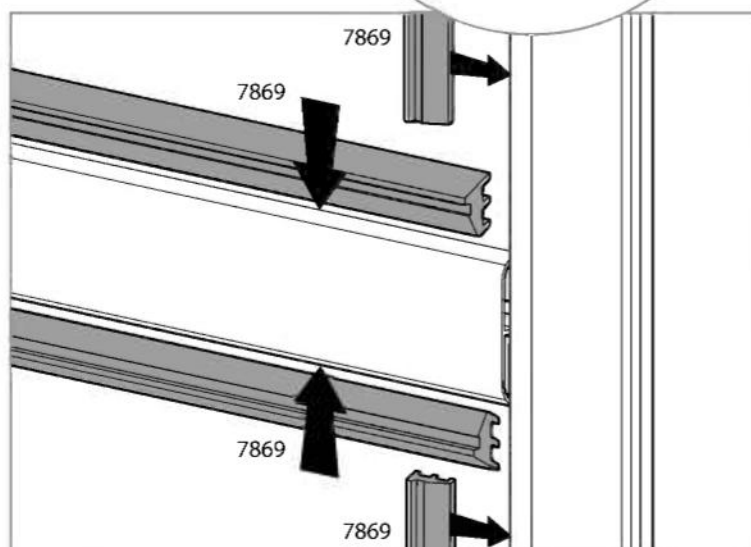
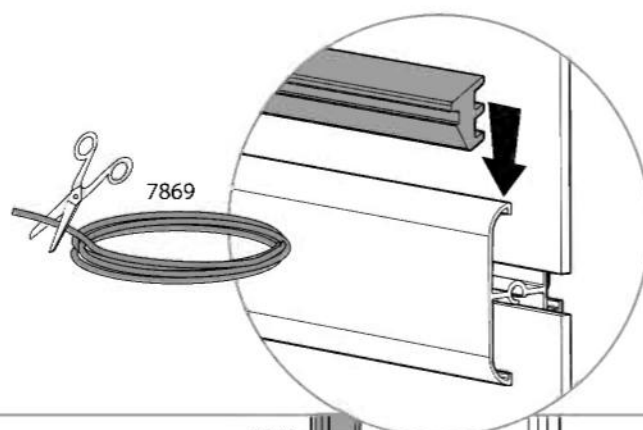
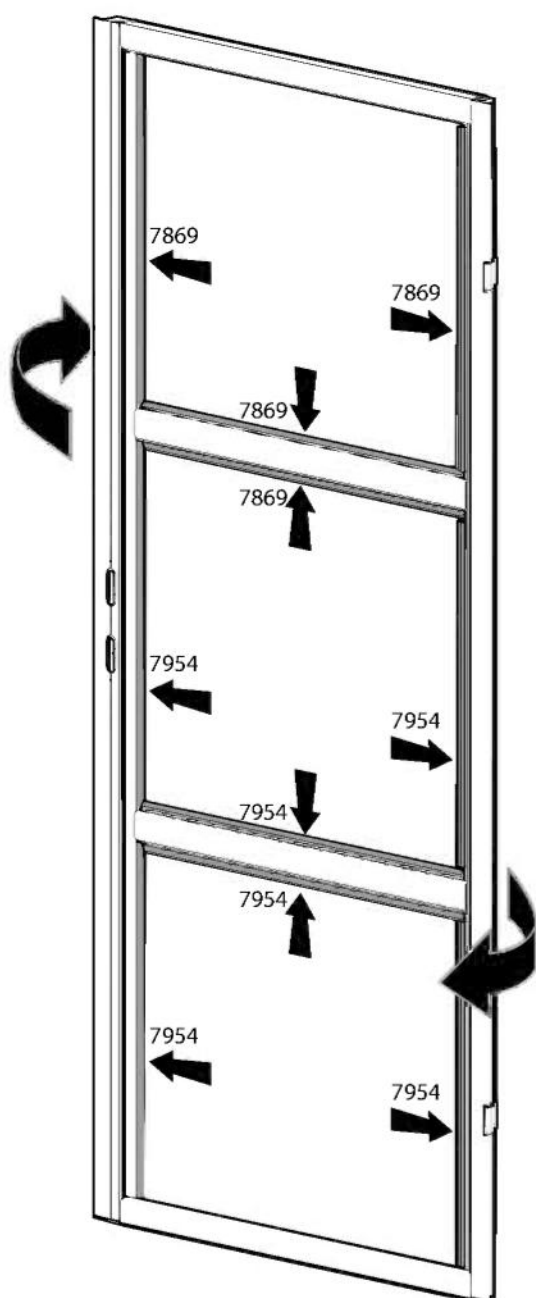
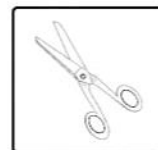
Item		Qty.
7918		2
7920		2
7924		4





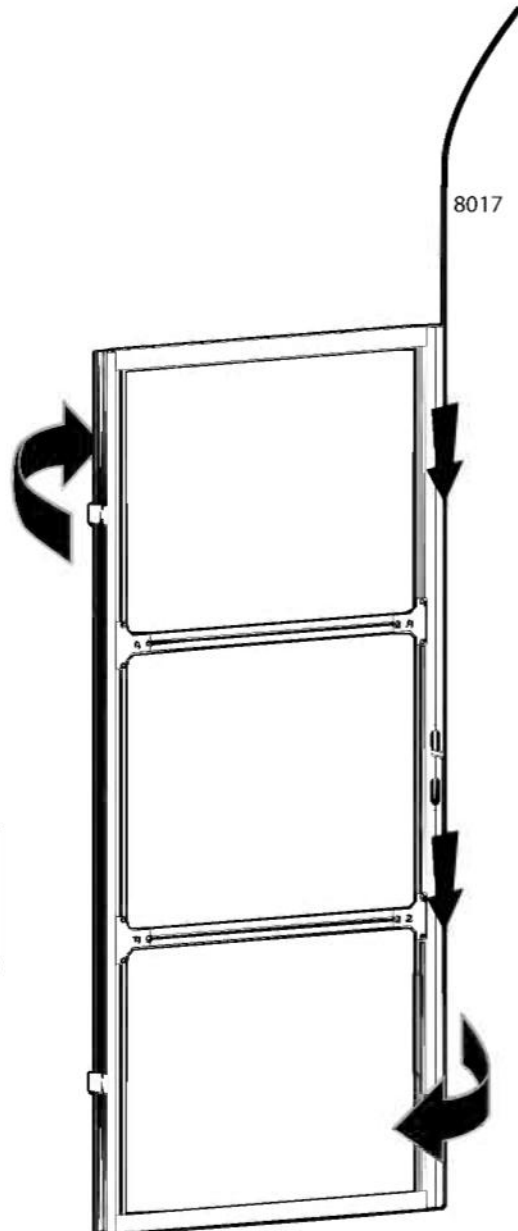
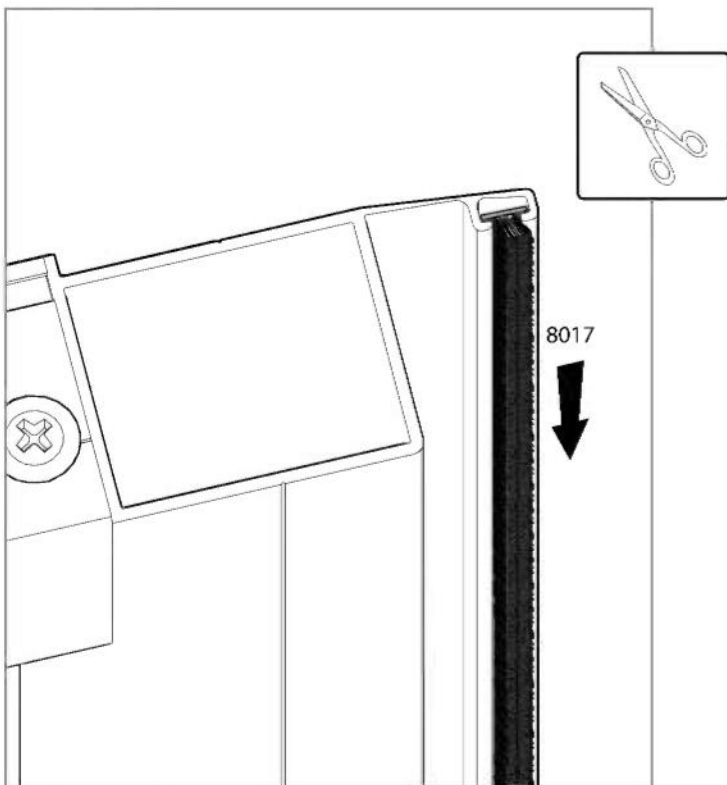
64  Insert the rubber strip, Part 7869, from the outside of the product. During this step, turn the door in order to insert the rubber strip correctly.

Item		Qty.
7869		




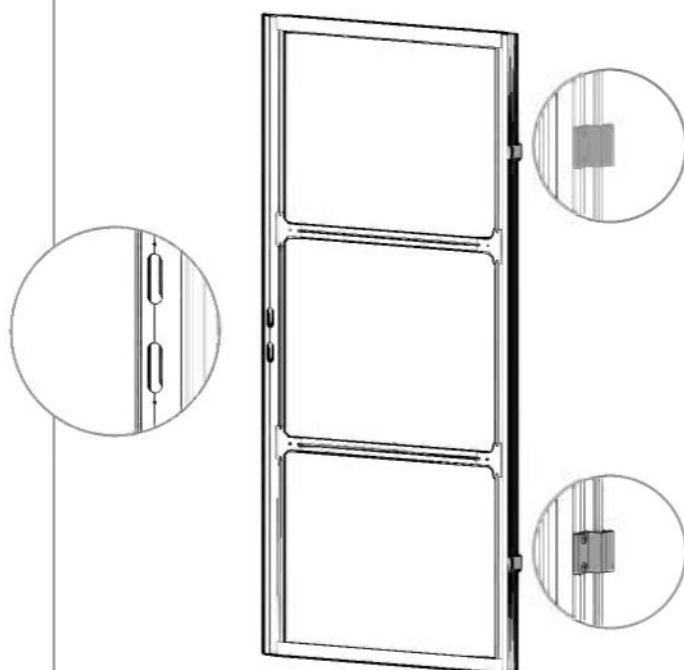
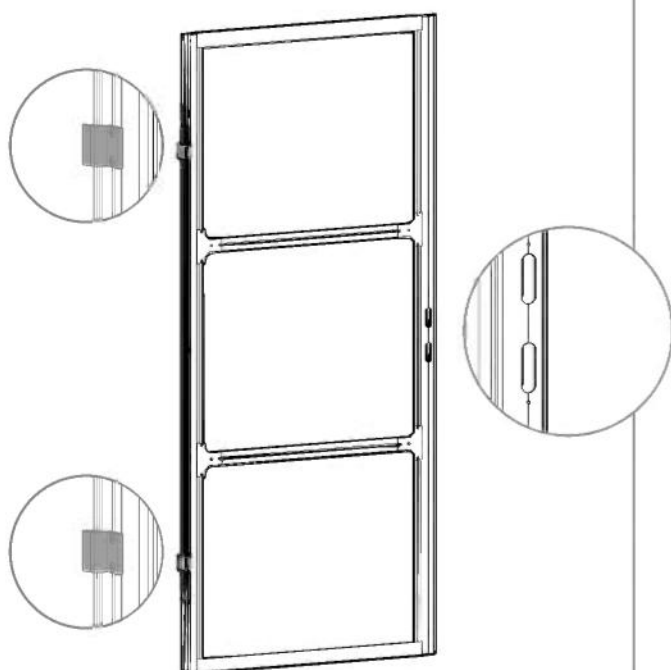
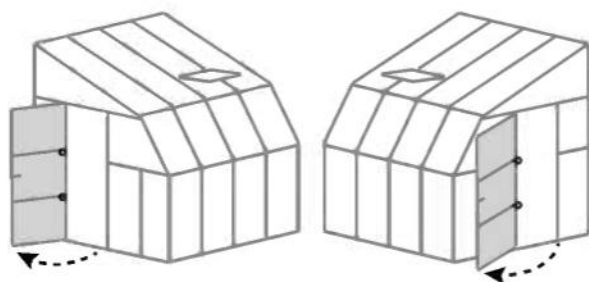
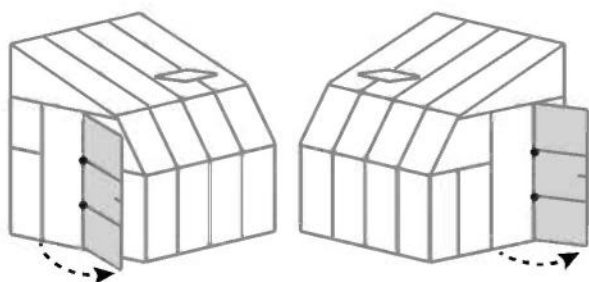


Item		Qty.
8017	A brush with a wooden handle and a coil of dark, flexible material.	1


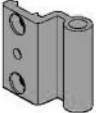





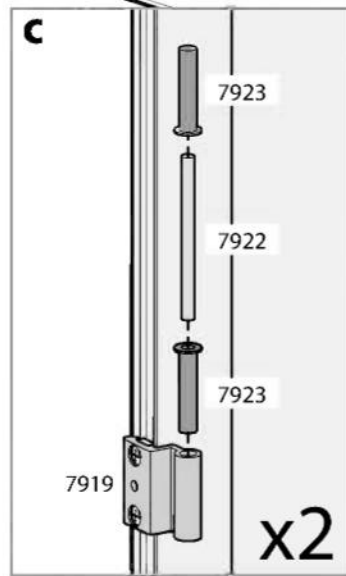
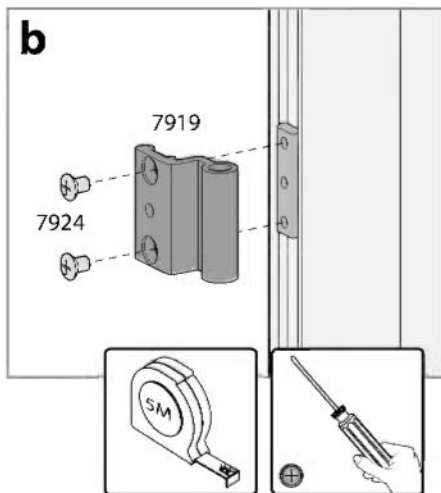
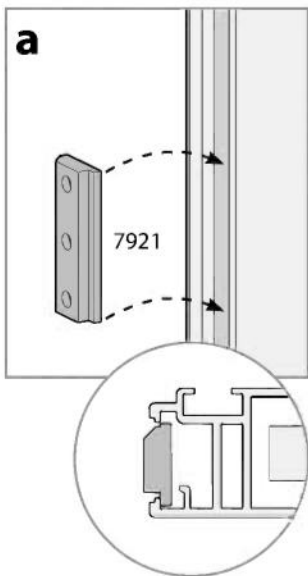
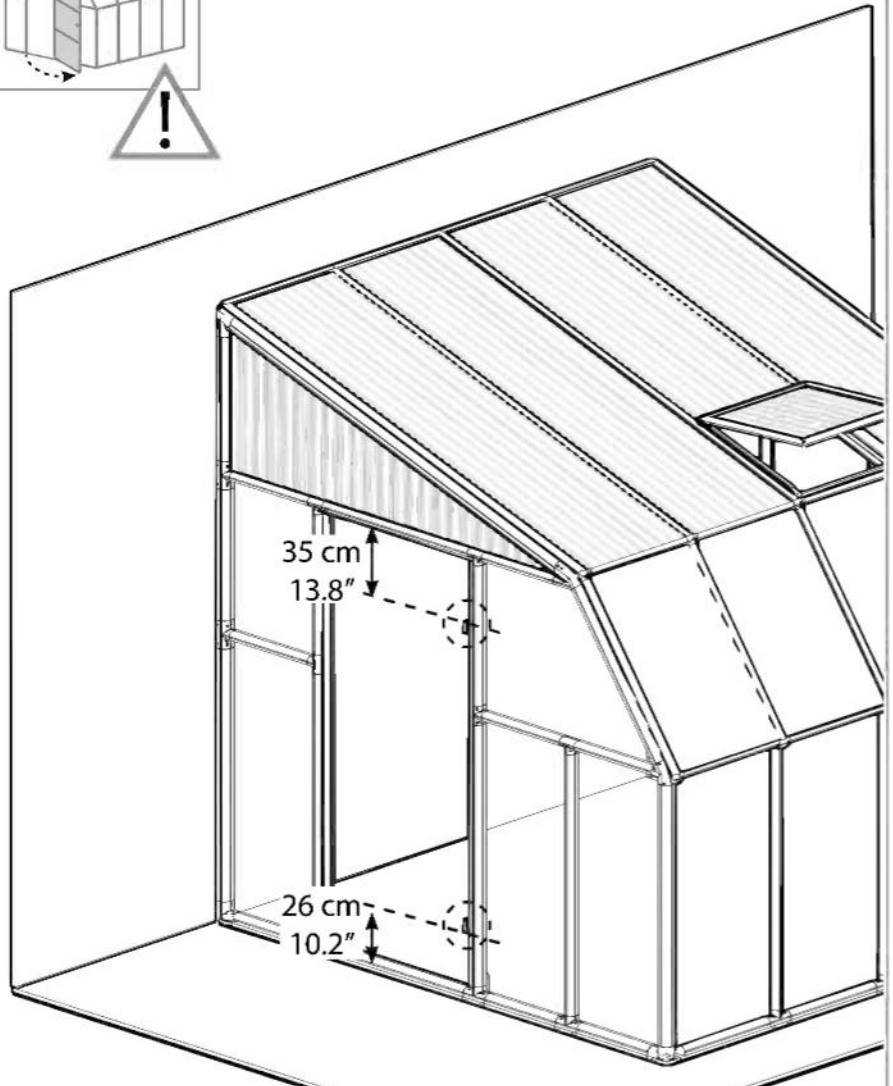
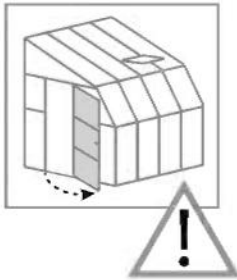


66  Determines door opening's direction. The door can be installed as a left or right hand door and can be opened either to the left or to the right.




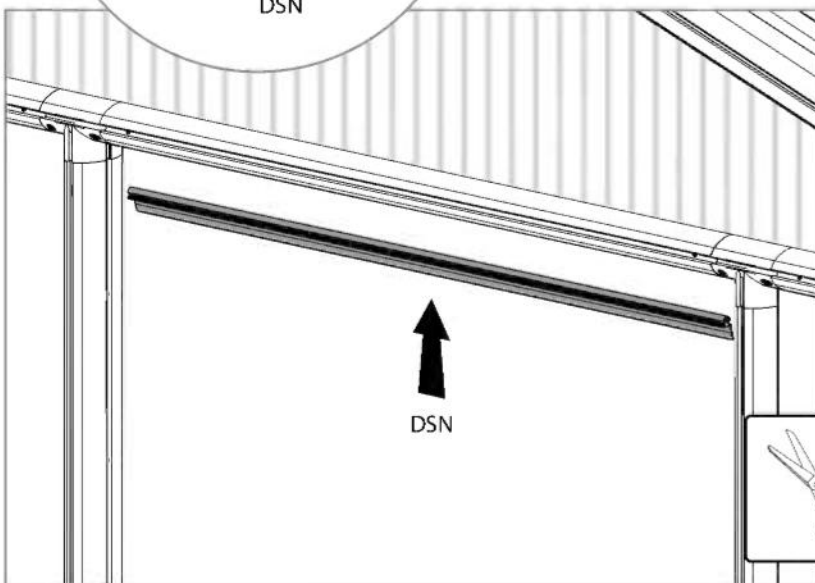
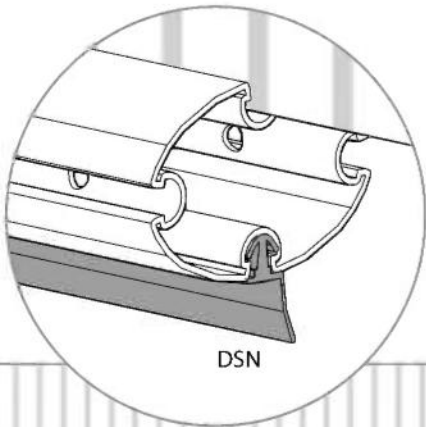
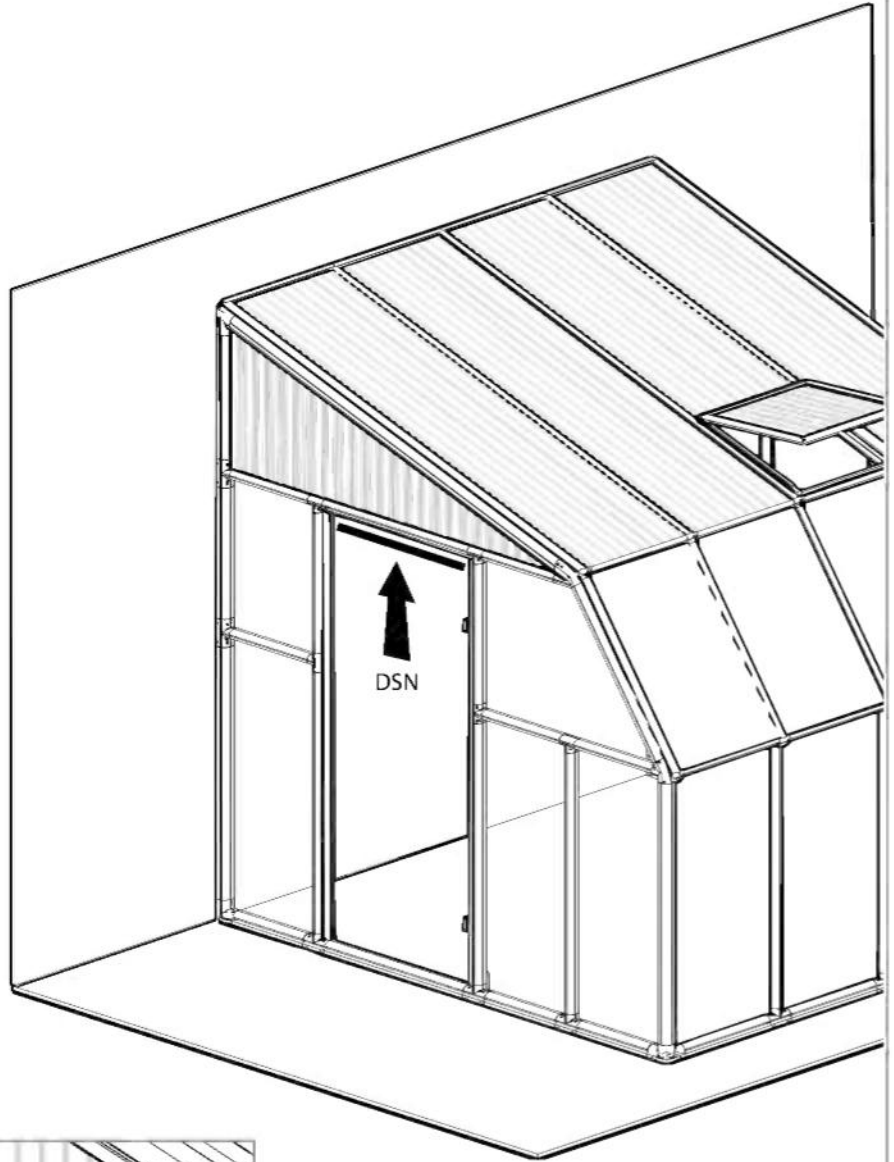


Item		Qty.
7923		4
7919		2
7921		2
7922		2
7924		4





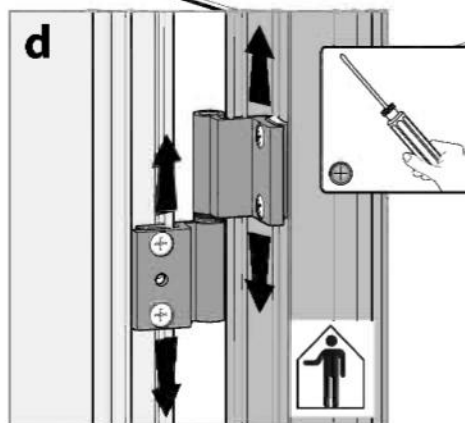
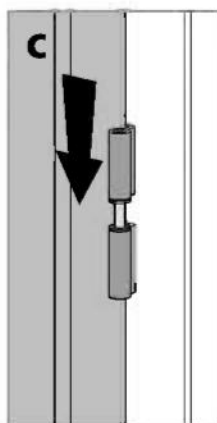
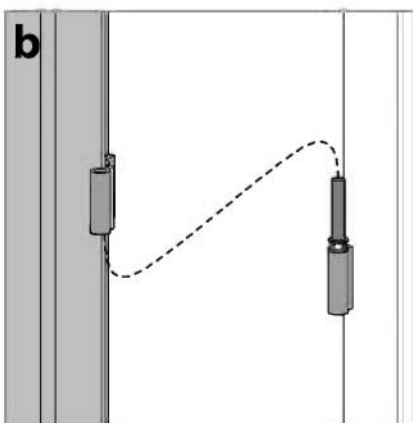
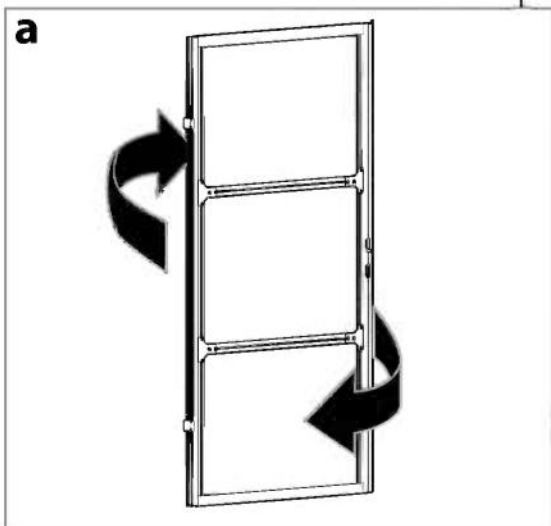
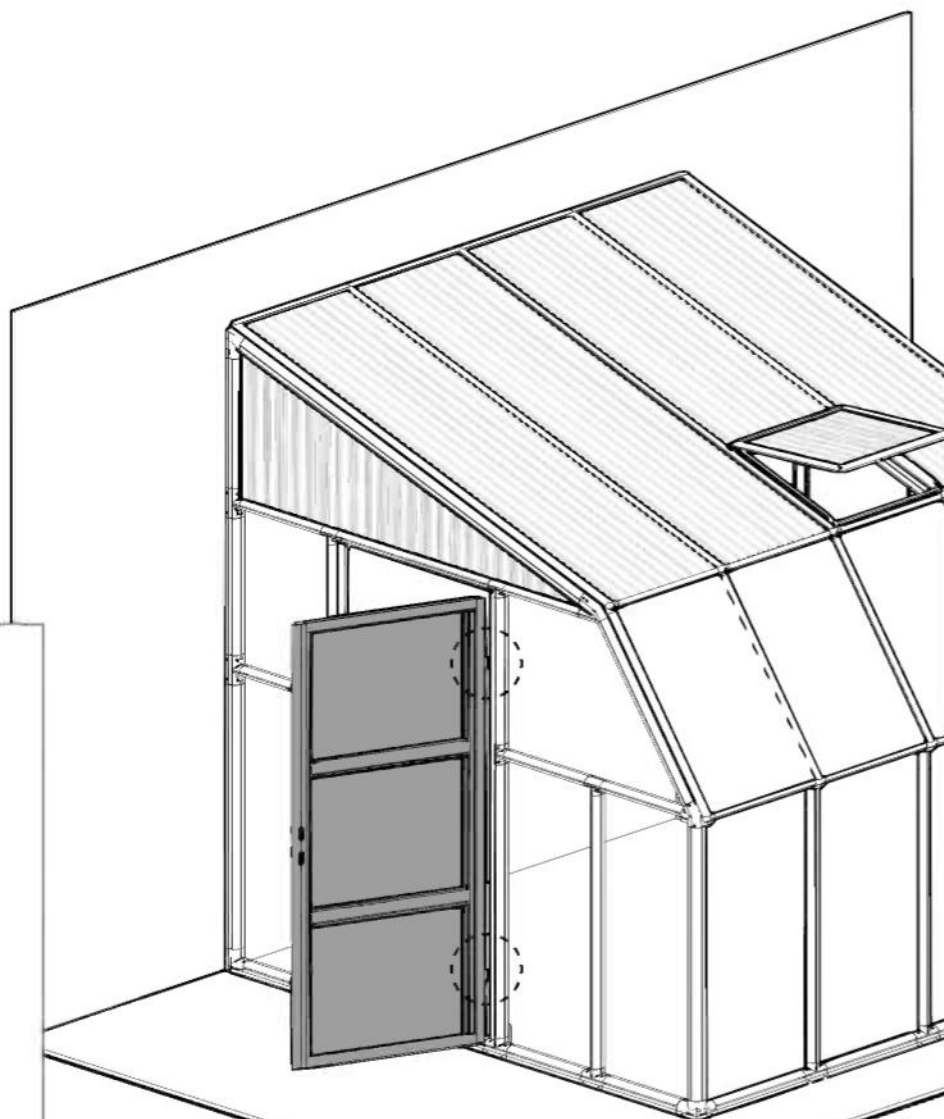
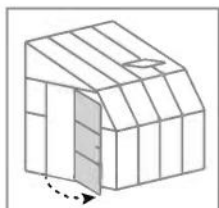
Item		Qty.
DSN		1




69

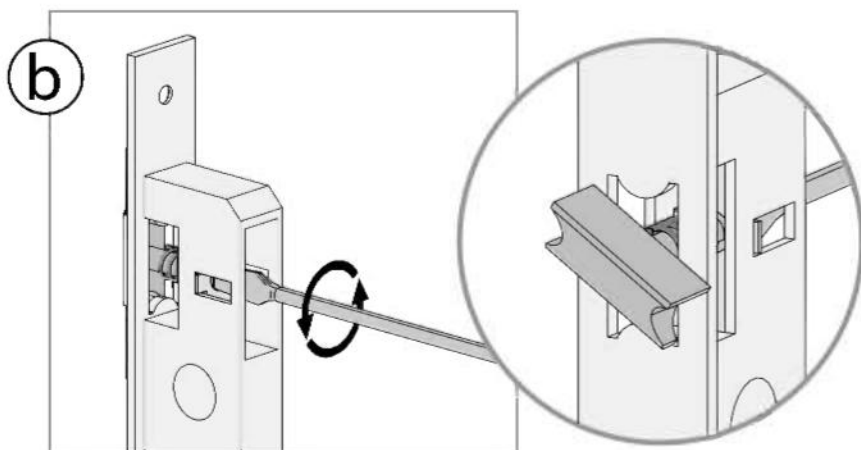
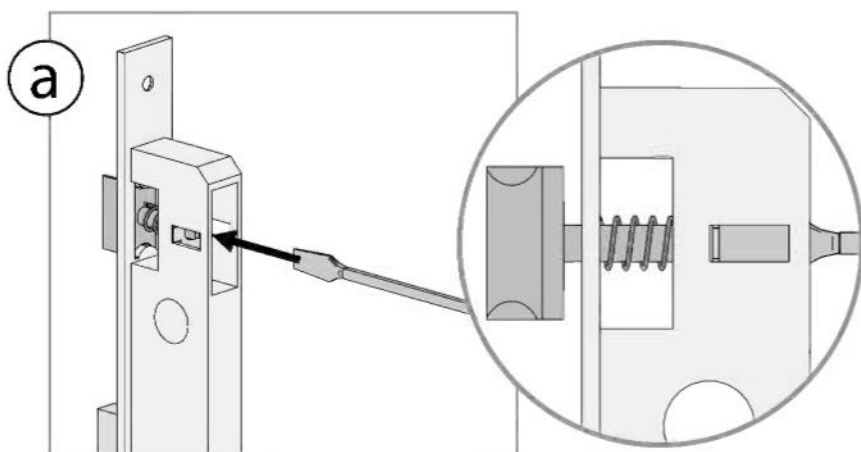
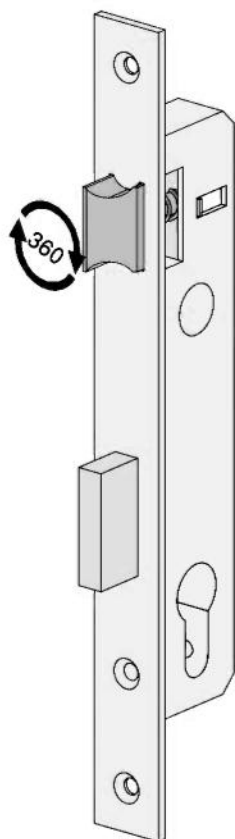


Adjust the hinges height in accordance with the upper post and lower ramp of the door aperture, as specified in *ilustracion c*.

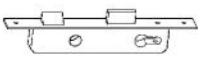

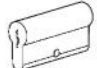



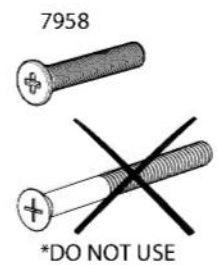
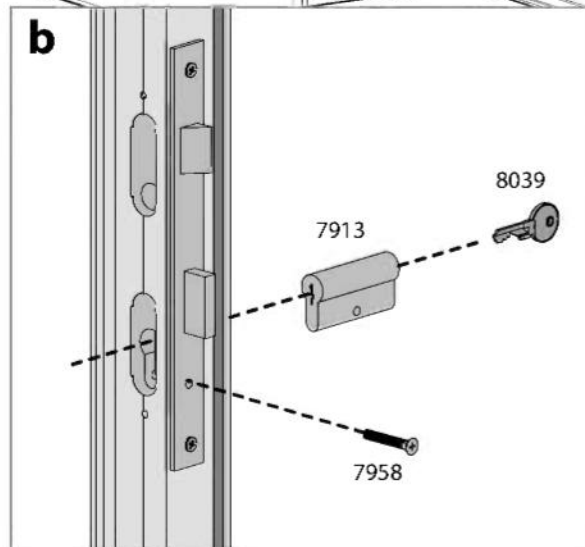
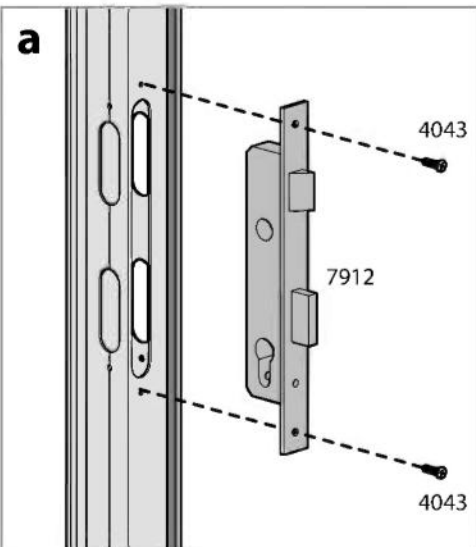
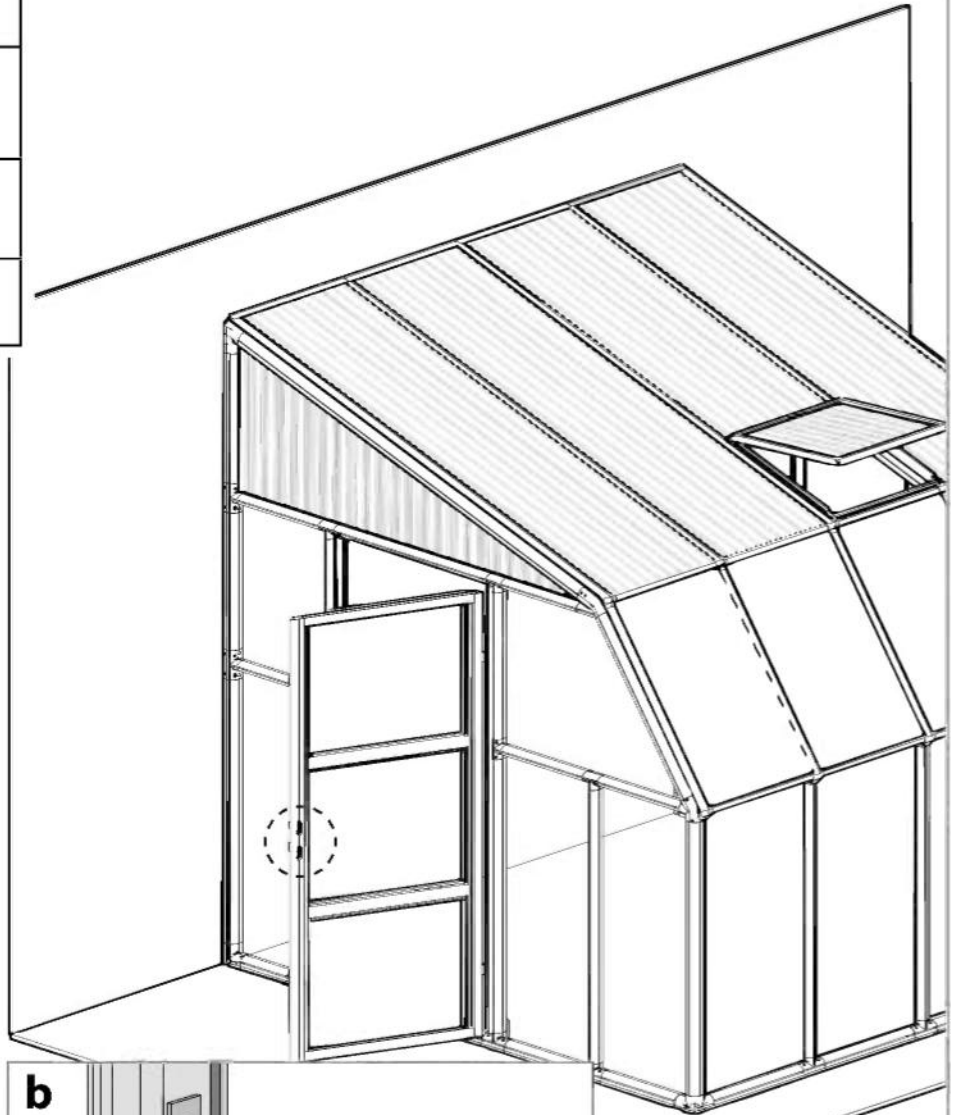
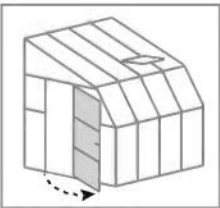


70  If necessary, you can rotate the cylinder tab. See Figures a + b.



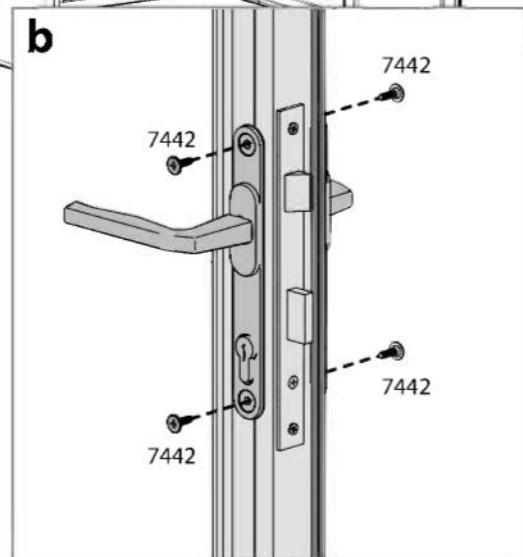
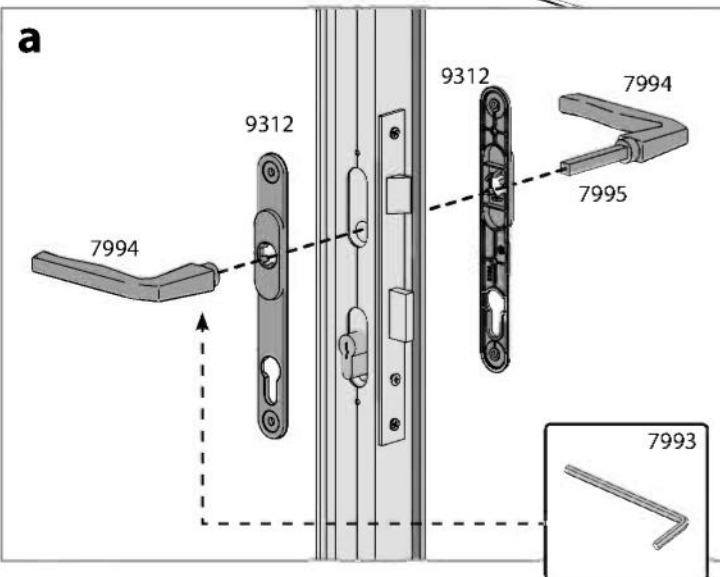
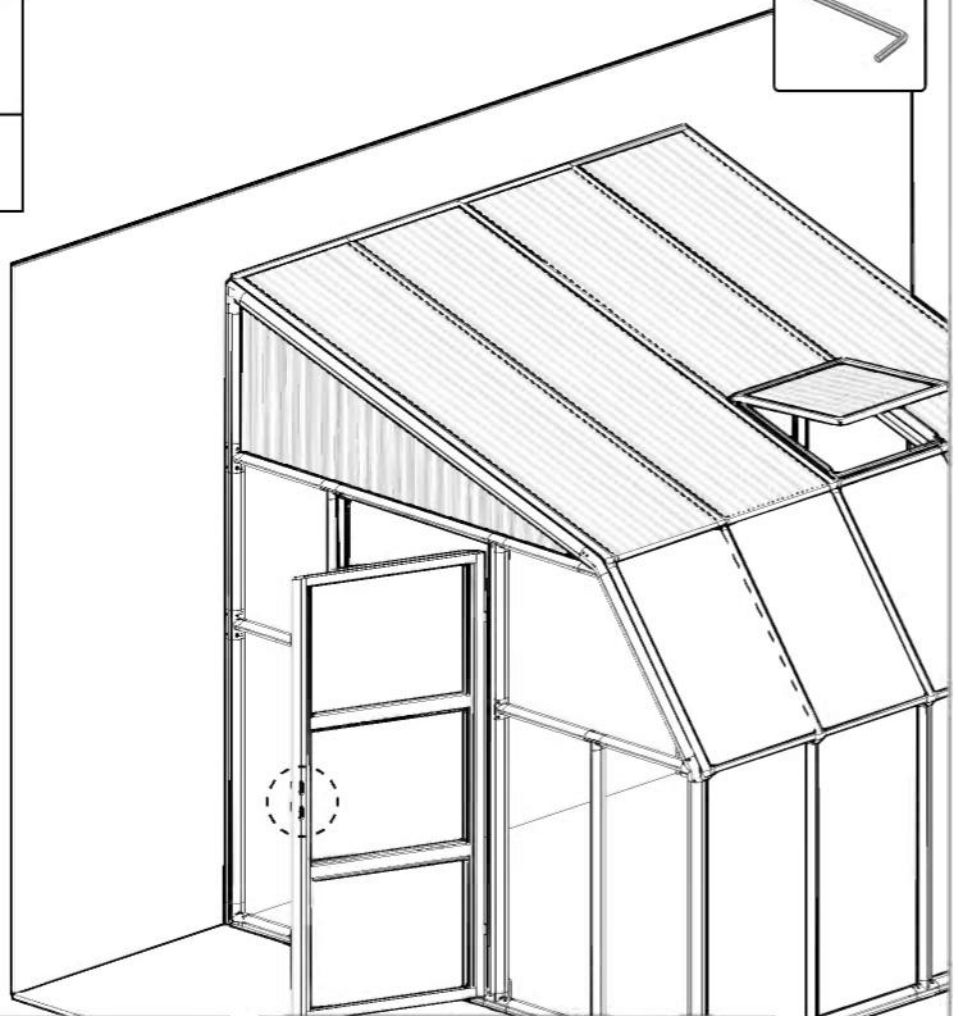
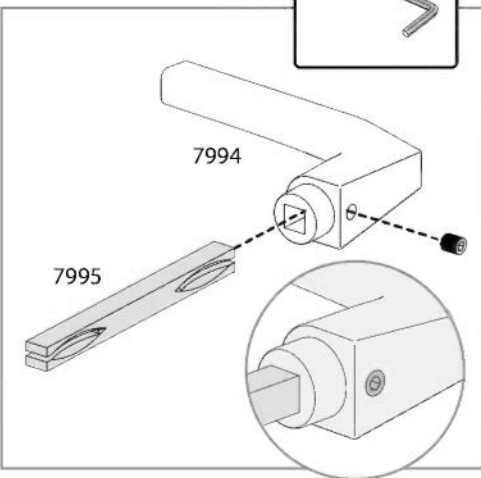
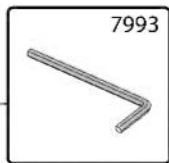
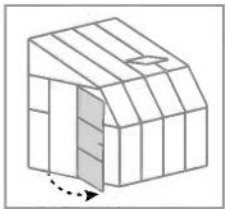
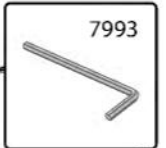
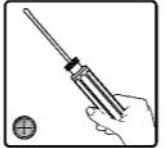


Item		Qty.
7912		1
8039		2
7913		1
7958		1
4043		2



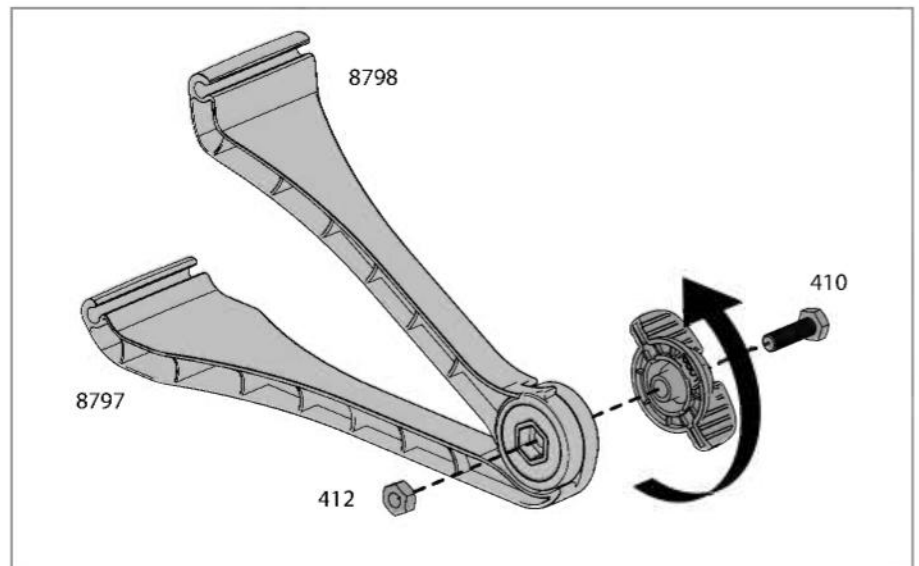
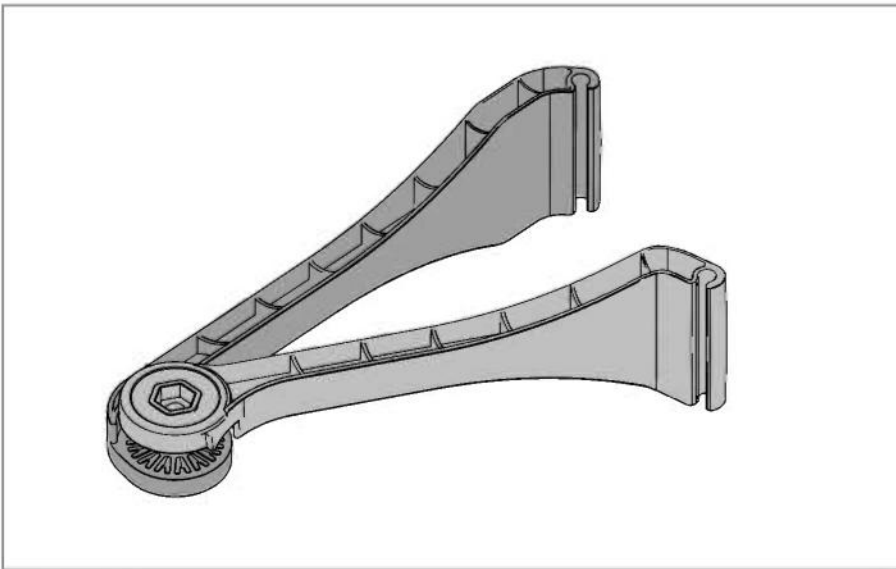


Item		Qty.
9312		2
7994		2
7995		1
7442		4





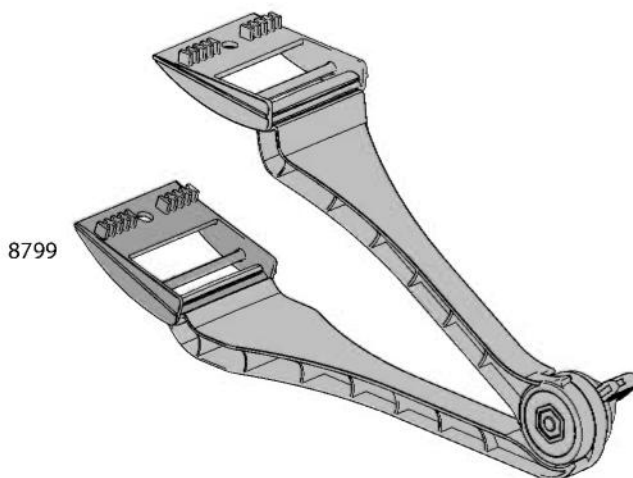
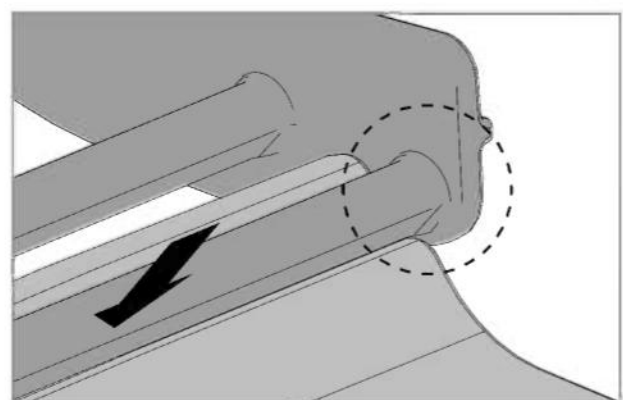
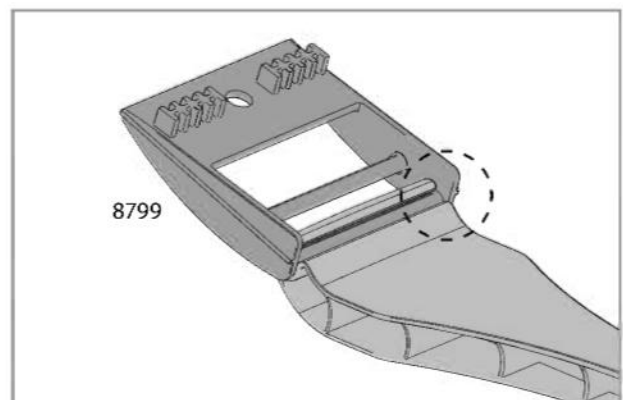
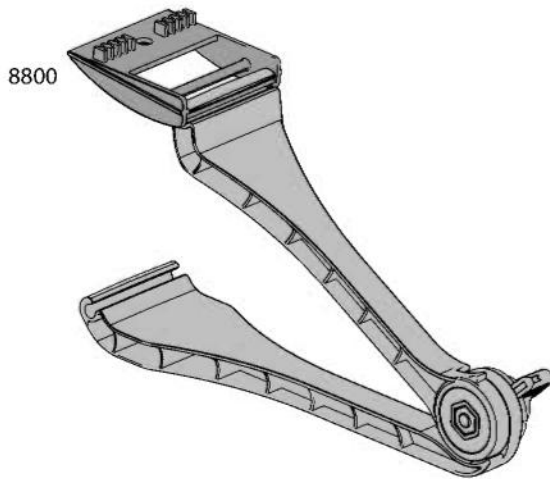
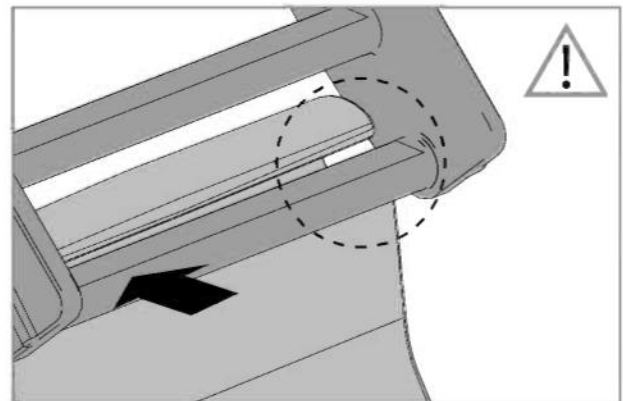
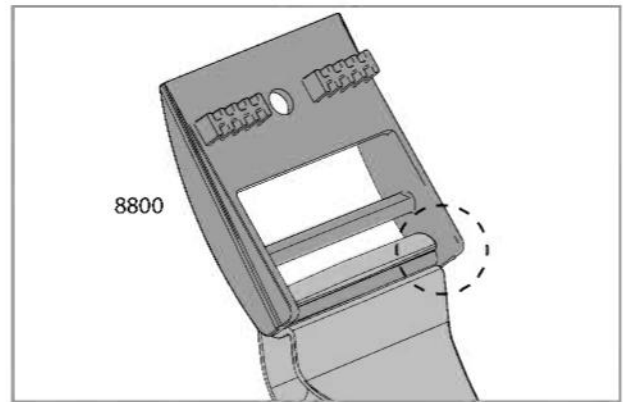


Item		Qty.
8797		1
8798		1
8801		1
410		1
412		1









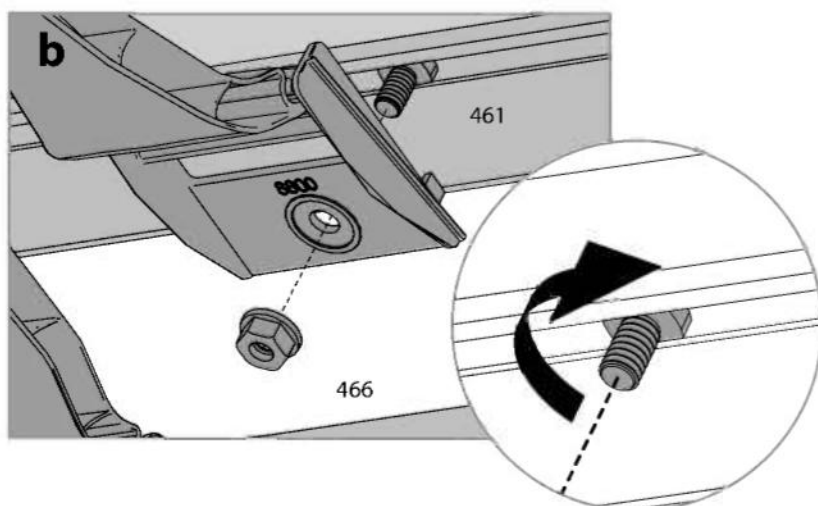
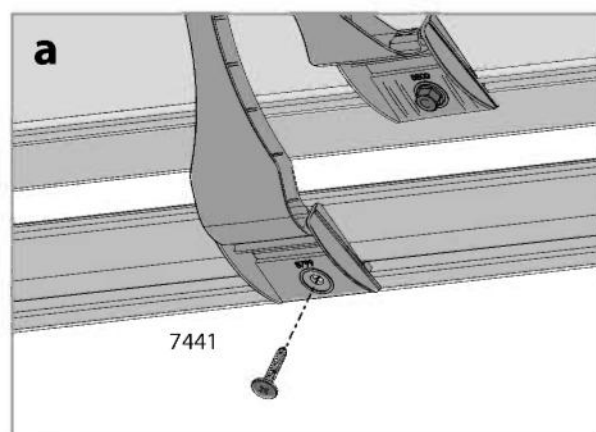
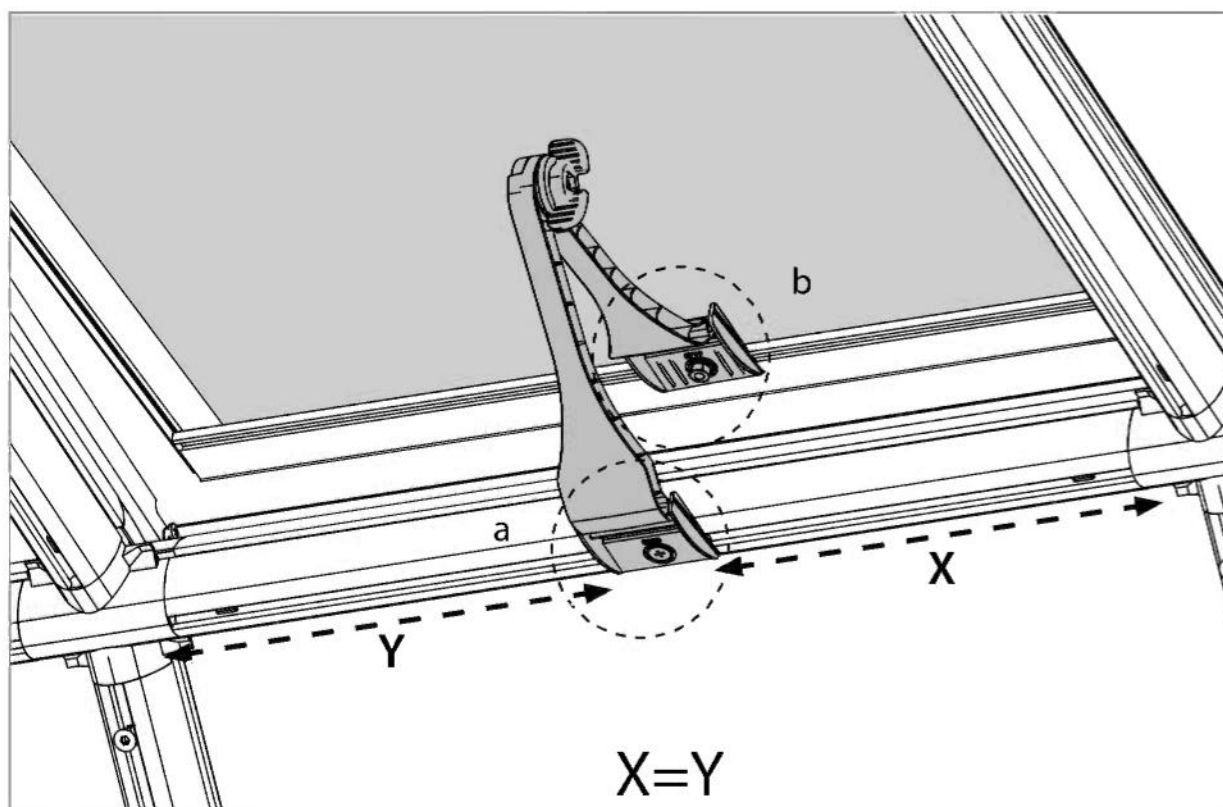
Item		Qty.
8799		1
8800		1





75  If the window doesn't close properly, please release the screws, adjust the profile and re-tighten the screws.

Item		Qty.
461		1
466		1
7441		1

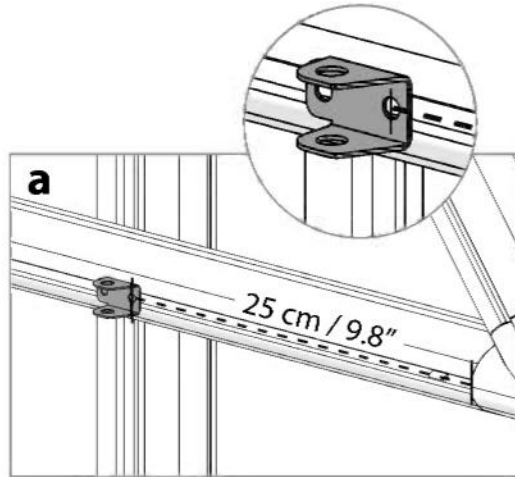
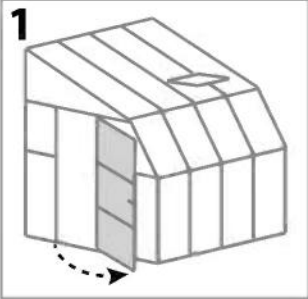


76

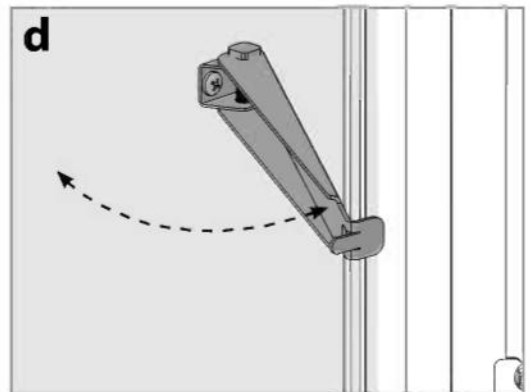
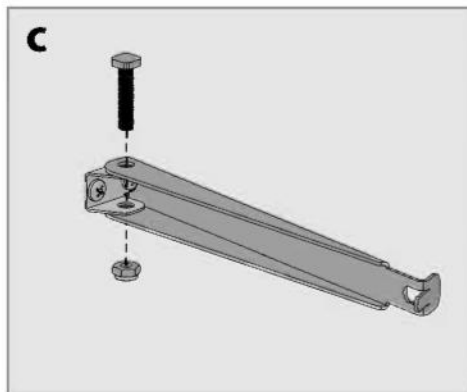
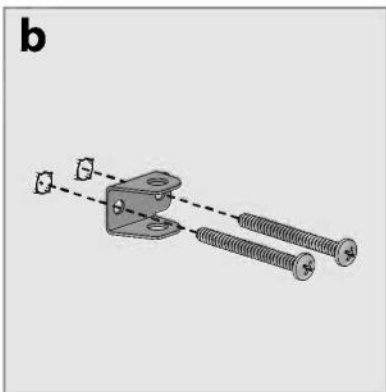
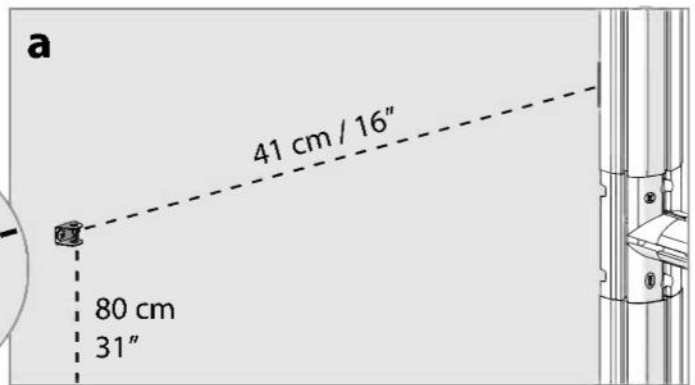
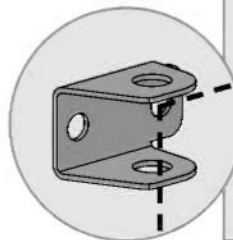
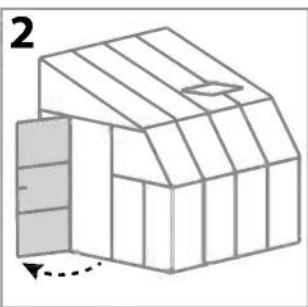
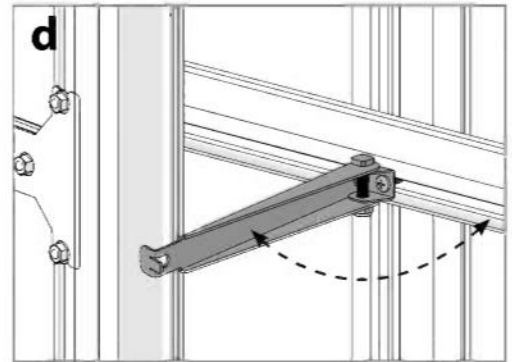
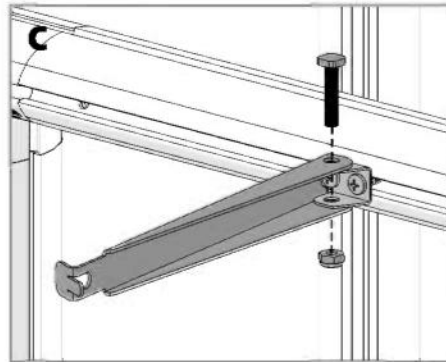
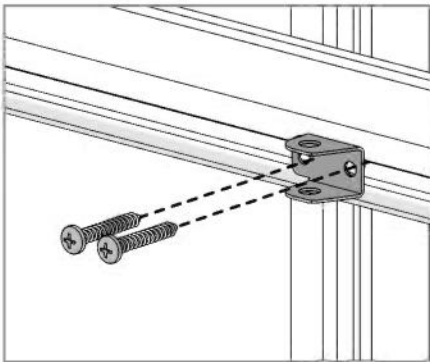


The door can be installed either as a right or left hand door. Choose one of the two depicted options.

*If you choose the option of the door opening to the wall, use suitable screws and plugs for your wall type.



Item		Qty.
8280		1
8279		1
7284		1
7279		1
450		2





PALRAM - CANOPIA | 7 YEAR LIMITED WARRANTY

Palram Canopia Ltd. (Company number: 512106824) whose registered office is at Teradion Industrial Park, M.P. Misgav 2017400, Israel ("Canopia") warrants that the product will be free from defects in material or workmanship for a period of 7 years from the original date of purchase. • This warranty is valid only if the product is installed, handled, cleaned, and maintained in accordance with Canopia's written specifications. • This warranty does not cover defects resulting from normal wear and tear including, but not limited to: damage caused by use of force, incorrect handling, inappropriate use, negligence, accidents, impact from foreign objects, vandalism, pollutants, alteration, painting, damage resulting from cleaning with incompatible detergents or minor deviations of the product. • This warranty does not apply to damage resulting from "acts of Nature", which includes but is not limited to hail, storm, tornado, hurricane, blizzard, flood, or fire. • Upon submitting proof of purchase and evidence of the claimed product failure, and subject to reporting the failure in writing within 30 days after discovery of the defect, Canopia, at its sole discretion, will replace defective parts of the Product, or refund you a prorated portion of the purchase price on a straight-line depreciated basis for the length of the warranty.

EN

GARANTIE LIMITEE À 7 ANS DE PALRAM - CANOPIA

Palram Canopia Ltd. (Compagnie n° 512106824) dont le siège social est adressé au Parc Industriel Teradion, M.P. Misgav 2017400, Israël ("Canopia") garantit que le produit est exempt de tout défaut de matériau ou de fabrication pendant une période de 7 ans à compter de la date d'achat initiale. • Cette garantie n'est valable que si le produit est installé, manipulé, nettoyé et entretenu conformément aux spécifications établies par écrit de Canopia. • Cette garantie ne couvre pas les défauts résultant de l'usure normale, y compris, mais sans s'y limiter, les suivants : dommages causés par le forçage du produit, une mauvaise manipulation, une utilisation incorrecte, la négligence, les accidents, l'impact de corps étrangers, le vandalisme, les contaminants, les modifications, l'application de peinture, le nettoyage avec des détergents incompatibles ou les modifications mineures du produit. • Cette garantie ne s'applique pas aux dommages résultant de "catastrophes naturelles", y compris, mais sans s'y limiter, la grêle, les tempêtes, les tornades, les ouragans, les blizzards, les inondations ou les incendies. • Sur présentation de la preuve d'achat du produit ainsi que de la preuve de la défaillance alléguée, et à condition que vous signaliez la défaillance par écrit dans les 30 jours suivant la découverte du défaut, Canopia remplacera, à sa seule discrétion, les pièces défectueuses du produit ou vous remboursera une partie proportionnelle du prix d'achat sur une base d'amortissement linéaire pour la durée de la garantie.

FR

7 JAHRE BESCHRÄNKTE GARANTIE VON PALRAM - CANOPIA

Palram Canopia Ltd. (Firmennummer: 512106824) mit Sitz in Teradion Industrial Park, M.P. Misgav 2017400, Israel ("Canopia") garantiert, dass das Produkt für einen Zeitraum von 7 Jahren ab dem ursprünglichen Kaufdatum frei von Material- und Verarbeitungsfehlern ist. • Diese Garantie ist nur gültig, wenn das Produkt gemäß den schriftlichen Spezifikationen von Canopia installiert, behandelt, gereinigt und gewartet wird. • Diese Garantie deckt keine Defekte ab, die auf normalen Verschleiß zurückzuführen sind, einschließlich, aber nicht beschränkt auf: Schäden, die durch Gewaltanwendung, falsche Handhabung, unsachgemäßen Gebrauch, Fahrlässigkeit, Unfälle, Einwirkungen von Fremdkörpern, Vandalismus, Schadstoffe, Veränderungen, Anstriche, Schäden, die durch Reinigung mit unverträglichen Reinigungsmitteln entstanden sind, oder geringfügige Abweichungen des Produkts. • Diese Garantie gilt nicht für Schäden, die durch "höhere Gewalt" entstanden sind, wie z.B. Hagel, Sturm, Tornado, Orkan, Schneesturm, Überschwemmung oder Feuer. • Bei Einreichung des Kaufbelegs und des Nachweises des beanspruchten Produktfehlers und vorbehaltlich der schriftlichen Meldung des Fehlers innerhalb von 30 Tagen nach Entdeckung des Fehlers ersetzt Canopia nach eigenem Ermessen die fehlerhaften Teile des Produkts oder erstattet Ihnen einen anteiligen Teil des Kaufpreises auf linearer Abschreibungsbasis für die Dauer der Garantie.

DE

GARANTÍA LIMITADA DE 7 AÑOS DE PALRAM - CANOPIA

Palram Canopia Ltd. (Número de la compañía: 512106824) cuya oficina registrada se encuentra en Teradion Industrial Park, M.P. Misgav 2017400, Israel ("Canopia") garantiza que el producto estará libre de defectos de material o de fabricación durante un periodo de 7 años a partir de la fecha inicial de compra. • Esta garantía solo es válida si el producto se instala, manipula, limpia y mantiene de acuerdo con las especificaciones por escrito de Canopia. • Esta garantía no cubre los defectos resultantes del desgaste normal, entre lo que se incluye, entre otras cosas, lo siguiente: daños causados al forzar el producto, al manipularlo de forma incorrecta, al emplearlo de forma inapropiada, por negligencia, por accidentes, por impactos de objetos extraños, por vandalismo, por contaminantes, por modificaciones, por haber sido pintado, por la limpieza con detergentes incompatibles o por pequeñas modificaciones del producto. • Esta garantía no se aplica a los daños que resulten de "fenómenos naturales", lo que incluye, pero no se limita, al granizo, las tormentas, los tornados, los huracanes, las ventiscas, las inundaciones o los incendios. • Al presentar el comprobante de compra del producto así como una prueba de la falla que se reclama, y a condición de reportar la falla por escrito dentro de los 30 días siguientes al descubrimiento del defecto, Canopia, a su sola discreción, sustituirá las partes defectuosas del Producto, o le reembolsará una porción prorrateada del precio de compra de acuerdo a una base de depreciación lineal según la duración de la garantía.

ES

BEGRÄNSNINGAR I PALRAM - CANOPIA 7-ÅRS GARANTI

Palram Canopia Ltd. (Bolagsnummer: 512106824) vars registrerade huvudkontor har adressen: Teradion Industrial Park, M.P. Misgav 2017400, Israel ("Canopia") garanterar att produkten är fri från material- och tillverkningsfel under en period av 7 år från det ursprungliga inköpsdatumet. • Garantin gäller endast om produkten installeras, hanteras, rengörs och underhålls i enlighet med Canopias skriftliga specifikationer. • Garantin täcker inte defekter som beror på normalt slitage, inklusive, men inte begränsat till: skador som orsakats av våld, felaktig hantering, olämplig användning, vårdslöshet, olyckor, påverkan från främmande föremål, vandalism, förorening, ändring, målning, skador som orsakats av rengöring med inkompatibla rengöringsmedel eller smärre avvikelser av produkten. • Denna garanti gäller inte för skador till följd av "naturkatastrofer", vilket inkluderar men inte är begränsat till hagel, storm, tornado, orkan, snöstorm, översvämning eller brand. • Mot uppvisande av inköpsbevis och bevis för det påstådda produktfelet, och under förutsättning att felet rapporteras skriftligen inom 30 dagar efter upptäckten av felet, kommer Canopia, efter eget gottfinnande, att byta ut defekta delar av produkten eller återbeta dig en proportionell del av inköpspriset på linjär avskrivningsbasis under garantins längd.

SV

PALRAM - CANOPIAS 7 ÅRS BEGRENSEDE GARANTI

Palram Canopia Ltd. (Selskapsnummer: 512106824) med hovedkontor i Teradion Industrial Park, M.P. Misgav 2017400, Israel ("Canopia") garanterer at produktet vil være uten defekter i materiale eller utførelse i en periode på 7 år fra den opprinnelige kjøpsdatoen. • Denne garantien gjelder bare hvis produktet er installert, håndtert, rengjort og vedlikeholdt i henhold til Canopias skriftlige spesifikasjoner. • Denne garantien dekker ikke feil som skyldes normal slitasje, inkludert, men ikke begrenset til: skade forårsaket av bruk av makt, feil håndtering, upassende bruk, uaktsomhet, ulykker, påvirkning fra fremmedlegemer, hærverk, miljøgifter, endring, maling, skade som følge av rengjøring med inkompatible vaskemidler eller mindre avvik i produktet. • Denne garantien gjelder ikke for skader som følge av naturfenomener, inkludert, men ikke begrenset til, hagl, storm, tornado, orkan, snøstorm, omveltning, flom eller brann. • Ved innlevering av kvittering på kjøp og bevis på den påståtte produktfeilen, og med forbehold om skriftlig rapportering av feilen innen 30 dager etter oppdagelsen av feilen, vil Canopia, etter eget skjønn, erstatte defekte deler av produktet, eller refundere deg en del av kjøpesummen beregnet ved bruk av lineær metode på grunnlag av garantiens varighet.

NN