

This article contains biocidal products to give protection against wood destroying insects & wood rotting fungi. Contents may vary. May contain : Basic copper carbonate (Copper (II) carbonate – Copper (II) hydroxide (1:1), Cupric oxide, Copper hydroxide carbonate, oxyethyl, ammoniumpropionate, Copper HDO, Propiconazole, Tebuconazole, Boric acid, Benzalkonium chloride. Wear gloves when handling freshly treated wood. Avoid breathing dust when cutting treated or untreated wood. Dispose of off-cuts responsibly – do not burn.

Pre-drill
for each screw
used.



Shiplap Small Garden Store OASBFP

Please make sure you quote from the parts list in the event you need to order replacements.

Tools Required

Not Supplied

Drill/Pozi Drive
Screwdriver



Hammer



Sharp Knife



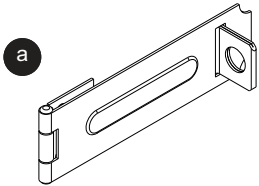
Tape Measure



Spirit Level



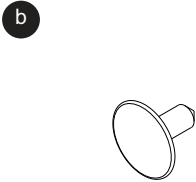
Fixing Pack Code = **OASBFP**



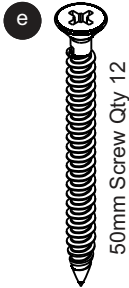
Hasp And Staple Qty 1



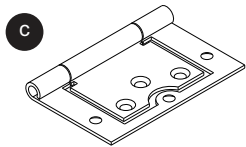
25mm Screw Qty 59



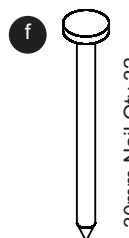
Felt Tacks Qty 30



50mm Screw Qty 12



Flush Hinge Qty 2



30mm Nail Qty 32

SPASGS PARTS LIST

Item	Document Number	Title	Quantity
1	HSBFRP	PTR HALF SENTRY BOX FRONT PANEL	1
2	SPMSSP	SLAP PTR MIDI STORE SIDE PANEL	3
3	PHSBDR	PTR HALF SENTRY BOX DOOR	1
4	44121255PPT	STRIP 44x12x1255mm PAR PTREAT	4
5	121120392AII70PT	BOARD 121x12x392mm ANGLED PTREAT	4
6	4823358	OSB 482x335x8mm	2
7	28280482	BATTEN 28x28x482mm	2
8	45280150PT	BATTEN 45x28x150mm PTREAT	4
9	121120282PAII70PT	BOARD 121x12x282mm PAR ANGLED PTREAT	4
10	5034478	OSB 503x447x8mm	1
11	28280503PT	BATTEN 28x28x503mm PTREAT	2
12	28280070PT	BATTEN 28x28x70mm PTREAT	4
13	121120481PPT	BOARD 121x12x481mm PAR PTREAT	2
14	85068	GREEN FELT 1.3x1 METRE	1

Attention:

- For Domestic Use Only.
- Must be built on a **solid** and **level** base.
- Regularly check that all fixing are tight and secure.
- Regularly check the felt for damage.

Important:

Assembly of this product requires a minimum of two adults.

Please check all parts prior to assembly.

This product is pressure treated to ensure longevity of all timber components and to protect against rot. This may leave a colour difference on some parts that will even out as the moisture content stabilises. This will not need additional treatment.

- Please keep all plastic bags and small parts away from children.
- The roof of this product is not a load bearing structure.
- Timber is a natural material and will shrink and swell as a result of varying moisture content.

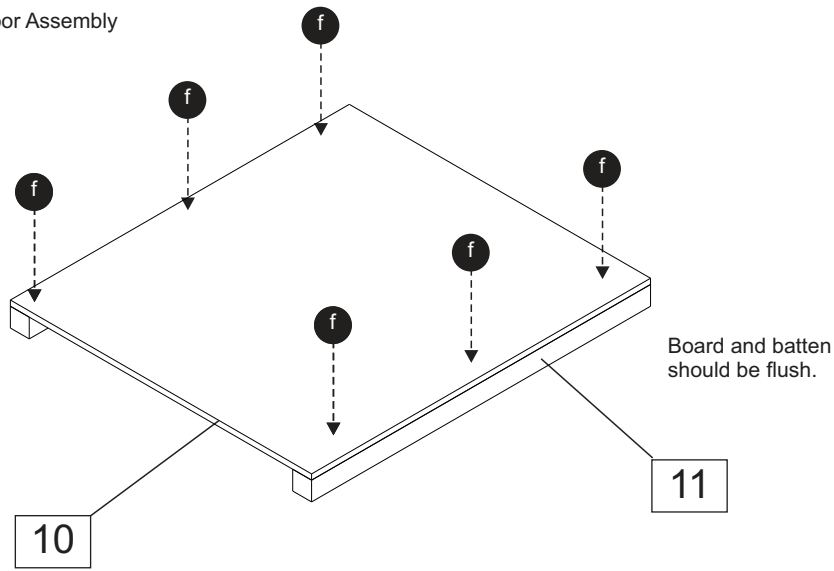
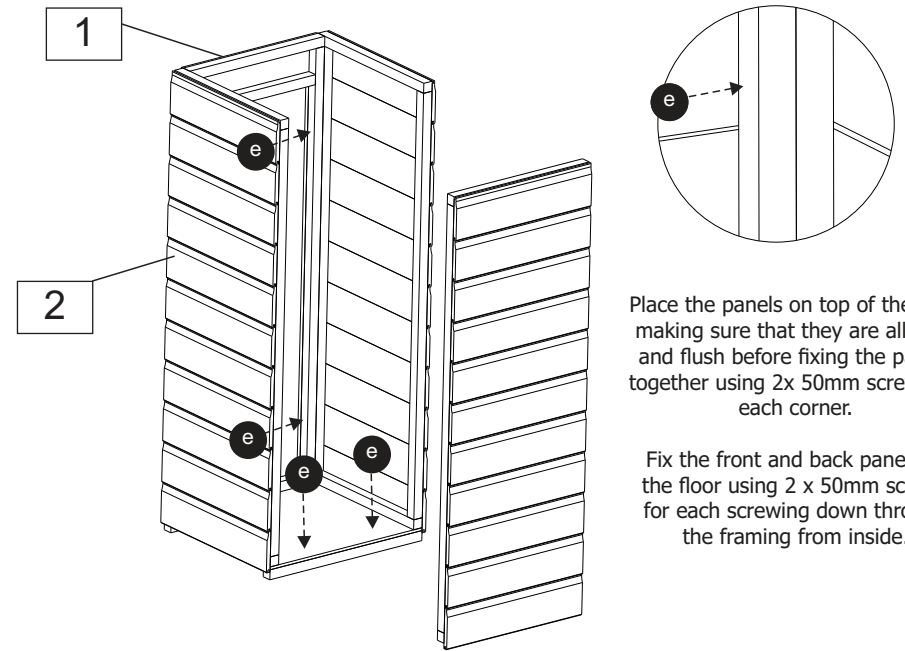
Assembly of damaged parts may be deemed to be acceptance and this may affect the remedies you are entitled to.

If the product is not constructed in accordance with the instructions, or is altered in anyway (e.g. painted), the manufacturer cannot be held liable for any resulting damage.

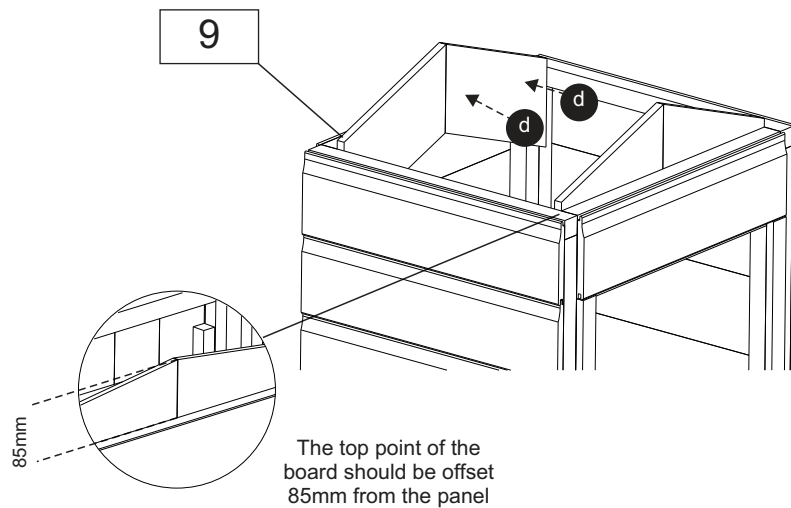
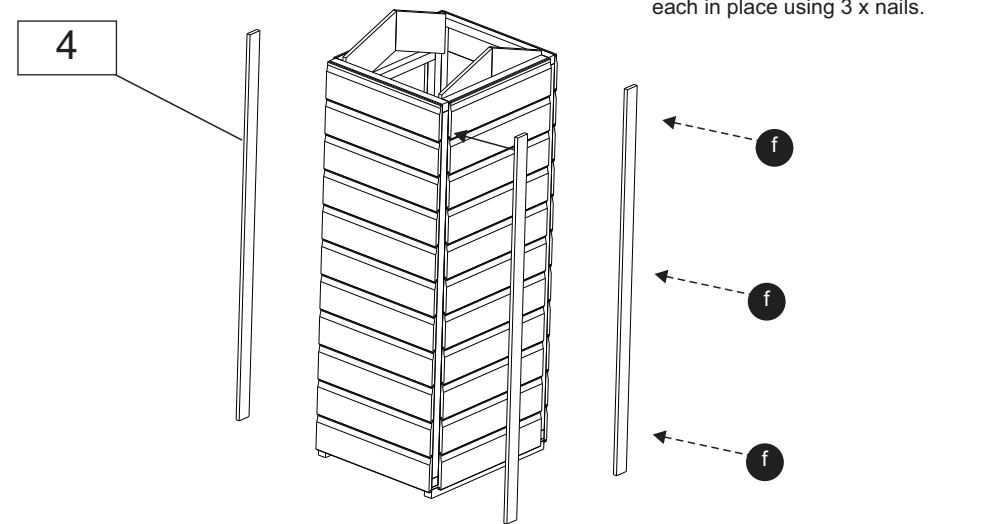
Help line: **0333 7777 089** 08:30 to 17:00 Monday to Friday

A

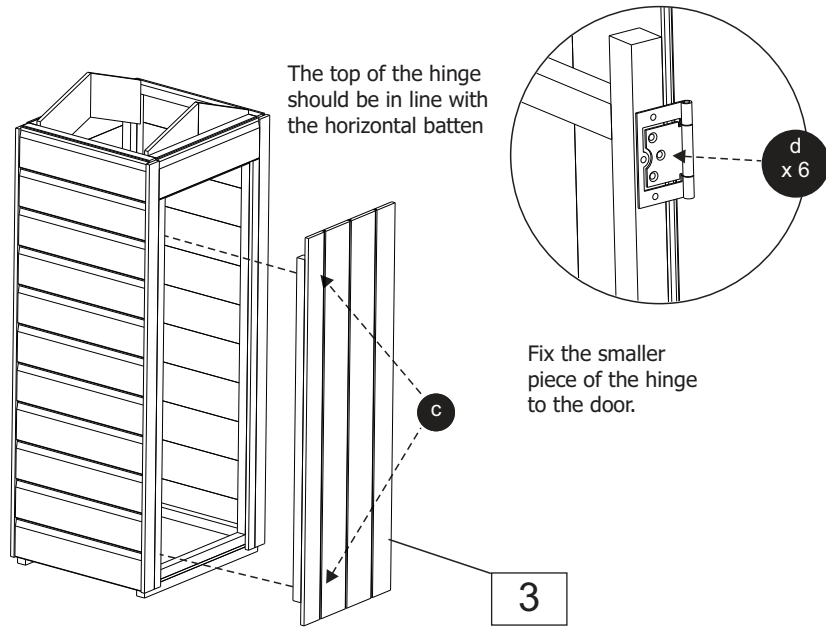
Floor Assembly

**B**PRE-DRILL **C**

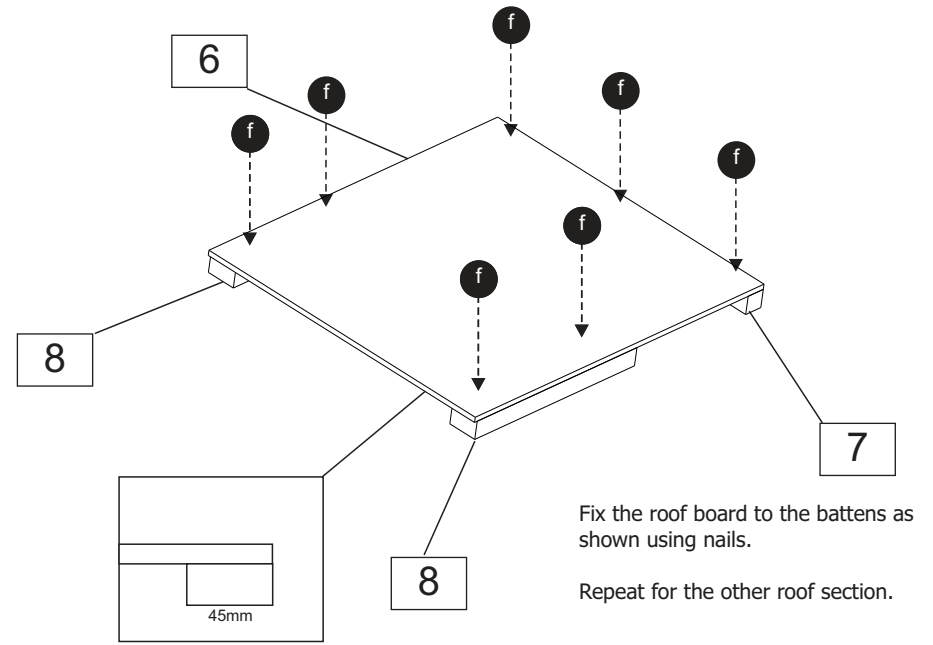
Place the angled boards against the front and back panels as shown to create an apex. Fix each board in place using 2 x 25mm screws.

PRE-DRILL **D**

E



F

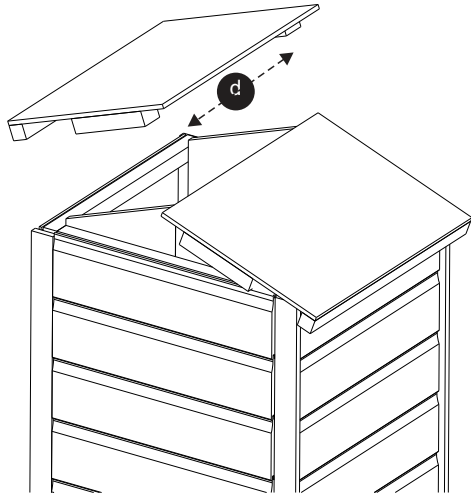


PRE-DRILL

PRE-DRILL

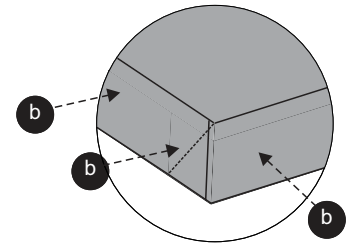
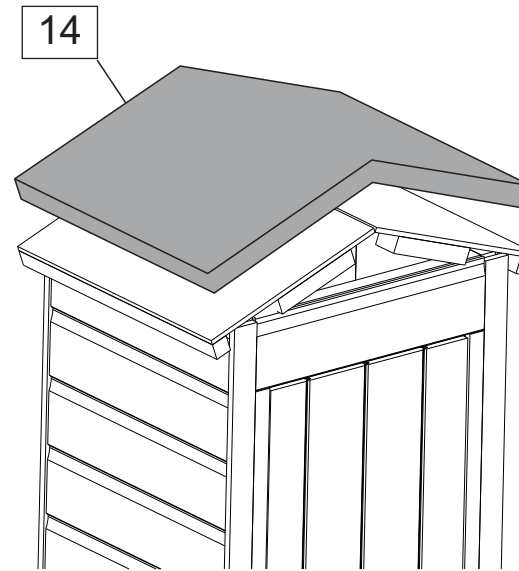
PRE-DRILL

G



Slot the roof sections so that they line up at the apex. Fix these from the inside screwing through the apex boards into the 150mm battens using 25mm screws for each.

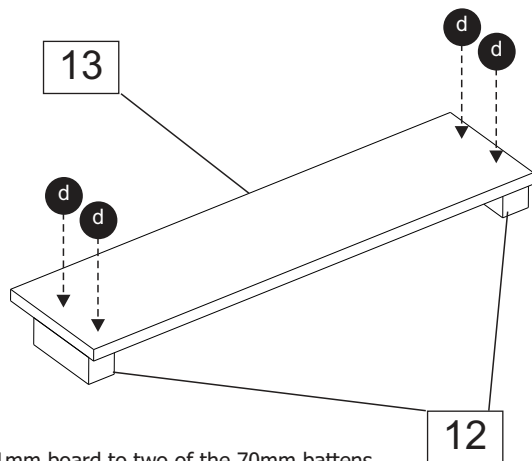
H



Place the felt over the roof so that there is approximately a 45mm overhang on all sides. Secure the felt to the roof, nailing into the battens from the sides using felt tacks placed at 150mm intervals.

Cut and fold the felt at the corners as shown.

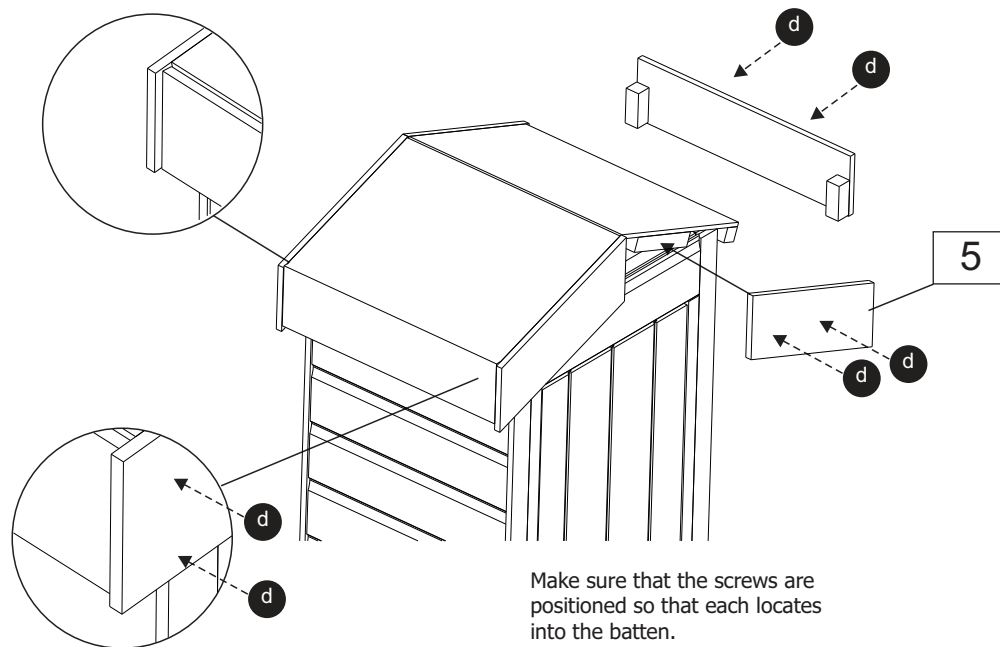
Take care when trimming the roof felt.

I

Fix the 481mm board to two of the 70mm battens. These should be flush on the short side and off set 10mm from the long side. Fix the battens in place using 2 x 25mm screws for each.


Repeat with the remaining blocks and 481mm board.

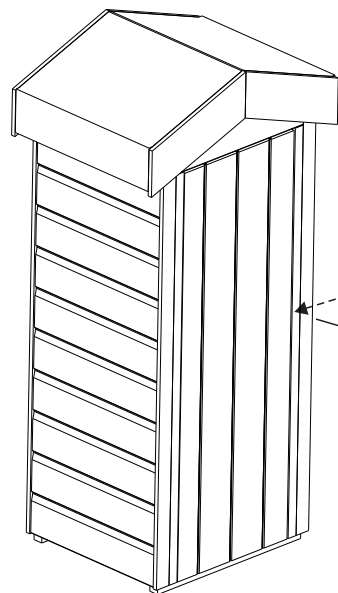
PRE-DRILL 

J

Make sure that the screws are positioned so that each locates into the batten.

PRE-DRILL 

PRE-DRILL 

K

Position and line up the hasp and staple with framing on the inside of the door.

