

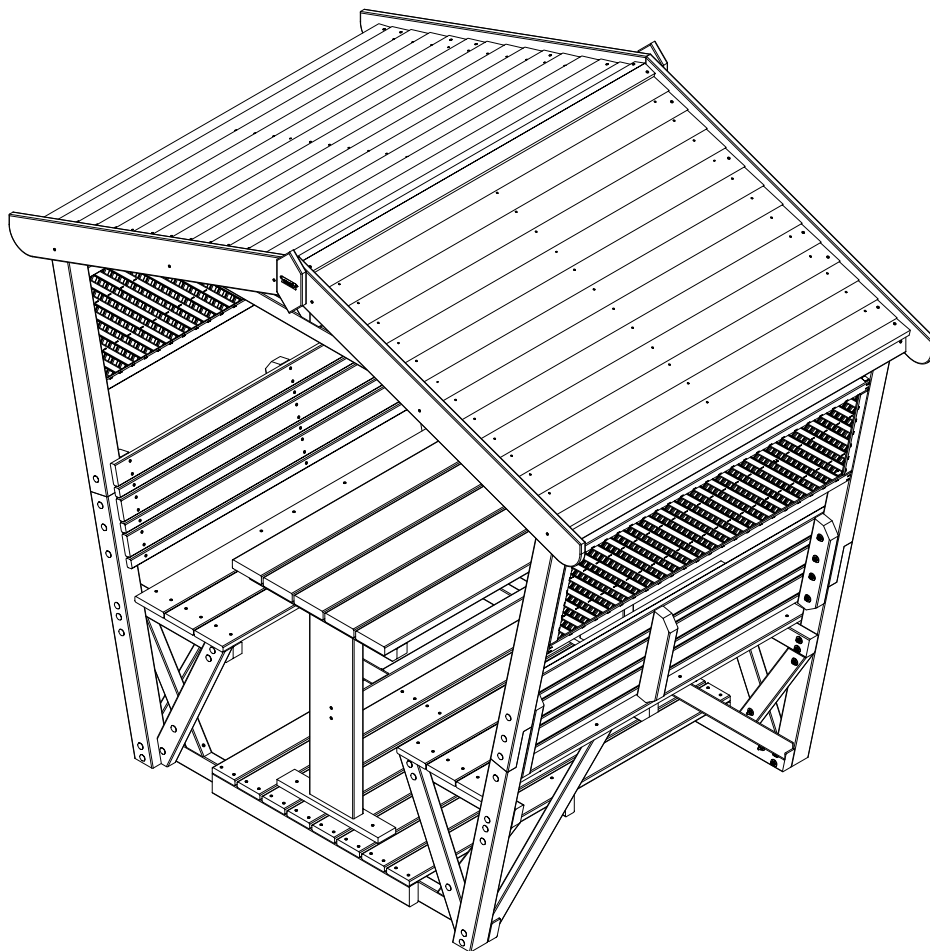


# Assembly Instructions

## Stirling Arbour

Code: 36094

V2 09 23



(W x D x H) 2.12m x 1.45m x 2.1m



**ONLINE ASSEMBLY VIDEO AVAILABLE**  
Please scan the QR code or visit [zestoutdoorliving.co.uk/assembly-search](https://zestoutdoorliving.co.uk/assembly-search)



**PLEASE KEEP THESE INSTRUCTIONS**



# Every Zest product is unique because each piece of timber has its own distinctive, natural features.

Zest sources all of its timber from responsibly-managed forests and everything it designs and produces meets the highest standards of sustainability. Zest ensures that all timber and timber-related products are certified to Programme for the Endorsement of Forest Certification (PEFC/16-37-1490).

This is vital not only for the health of the planet, but also shows Zest's commitment to the environment and to responsible sourcing. Timber is a natural material and, as such, will fit beautifully within any outdoor space. This also means that all Zest pieces are unique because every piece of timber has its own distinctive features.



## Natural and Unique...

Changes in temperature and humidity will cause expansion and contraction so Zest products need time to adjust to where the owners live. A few splits or cracks are part of the maturing process and will not affect strength or durability. Knots embedded in the wood are natural and tell the story of the tree which made them. Customers may notice variations in colour but, once out in the garden and exposed to the sun, colour and shading will even out.

Most Zest products are pressure treated which protects the timber from rot and means customers will be able to enjoy the products in their garden for many years.

Fresh pressure treatment sometimes leads to a small amount of green-spotting on the surface of new timber as the natural salt leaves the wood. This will fade away over time and is in no way detrimental to quality or durability.

Splits and cracks occur naturally in the timber grain due to changing temperatures and humidity levels. They are not usually a cause for concern as they don't affect the strength or durability of the product. If however, a 2p coin can fit into the split or crack there may be an issue so it should be reported to the retailer in writing with photographic evidence.

### The benefits of slow grown timber

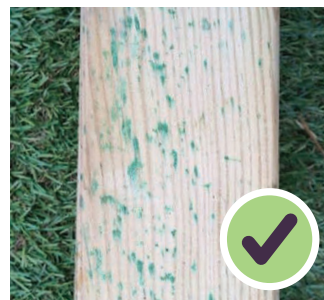
“ Slow grown timber from Eastern Europe is ideal for timber garden furniture. It produces a stronger grain in the wood giving it more durability and is said to be as strong as some hard woods. ”



Normal splits are characteristics of timber.



Knots are characteristics of timber.



Sun Bleaching & Green Spotting are not causes for concern and they will fade over time when items are placed outdoors.



Should you find a large split or dead knot, please email a photo to your retailer for investigation.

# Stirling Arbour Assembly Instructions

Requires 2 Person assembly

Tools required: Spanner & Socket set, Corded / Cordless Drill, Pozi-drive Bit / Screwdriver, 3mm Drill Bit required in order for you to drill all screw holes before construction.

We advise the product is situated on firm level ground.

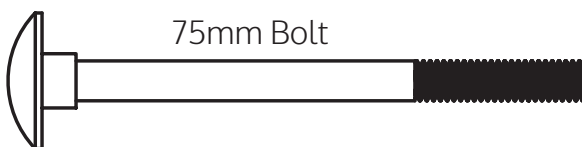
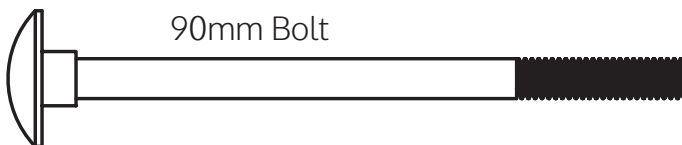
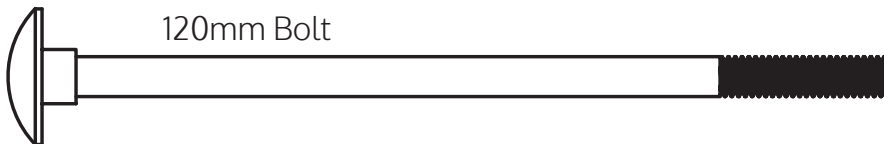
**Please take a few moments to check all pack contents listed**

Stirling Arbour Pack List			
Part Code	Item	Description	Quantity
38403	A	Post Brace	2
38404	B	Base Panel	1
38405	C	Post Bottom	4
38406	D	Seat	2
38407	E	Seat Leg	4
38408	F	Seat Brace	4
38409	G1	Post Top A	2
40140	G2	Post Top B	2
38410	H	Seat Back	2
38411	J	Trellis	2
38412	K1	Roof Brace Left	2
38432	K2	Roof Brace Right	2
38413	L	Horizontal Roof Brace	2
38414	M	Large Roof Panel	2
38415	N	Small Roof Panel	2
38416	P	Roof Cap	1
38417	Q	Fascia Board	4
38418	R	Finial	2
38419	S	Table Leg	2
38420	T	Table Top	1
38421	U	Table Brace	1
38422	V	Table Cross Brace	2
38423	W	Roof Cross Brace	4
38424	X	Roof Side Cap	2
38425	Y	Roof End Board	2
39543	Z	Under Seat Brace	4

This product is made from pressure-treated timber. It should not be painted or coated with any other treatment until at least 6 months after purchase

# Stirling Arbour Assembly Instructions

Code - 38426		Stirling Arbour Fixings List	
Item	Description	Quantity	
1	M8 x 120mm Dome Head Bolt	36	
2	M8 x 100mm Dome Head Bolt	4	
3	M8 x 90mm Dome Head Bolt	24	
4	M8 x 75mm Dome Head Bolt	8	
5	M8 Washer	72	
6	M8 Nut	72	
7	M8 Spring Washer	72	
8	M4 x 90mm Screw	14	
9	M3 x 60mm Screw	60	
10	M3 x 35mm Screw	16	



Washer



Spring Washer



Nut



90mm Screw

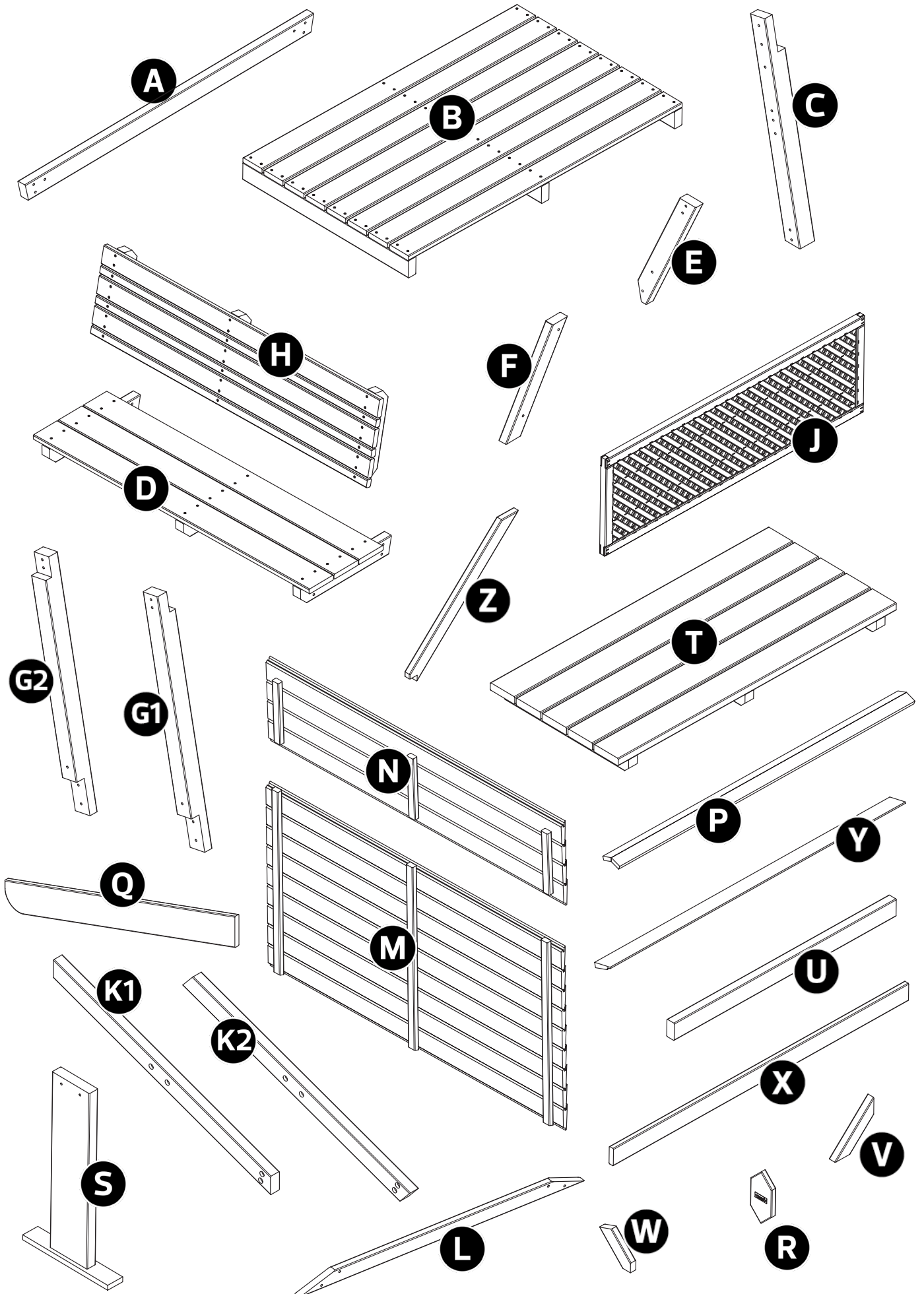


60mm Screw



35mm Screw

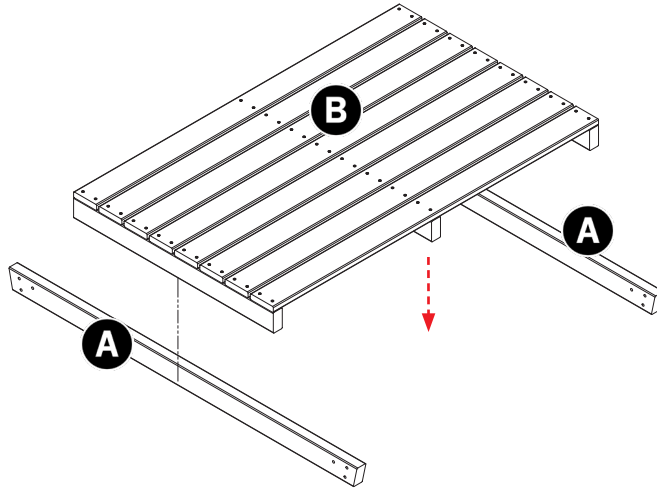
# Stirling Arbour Assembly Instructions



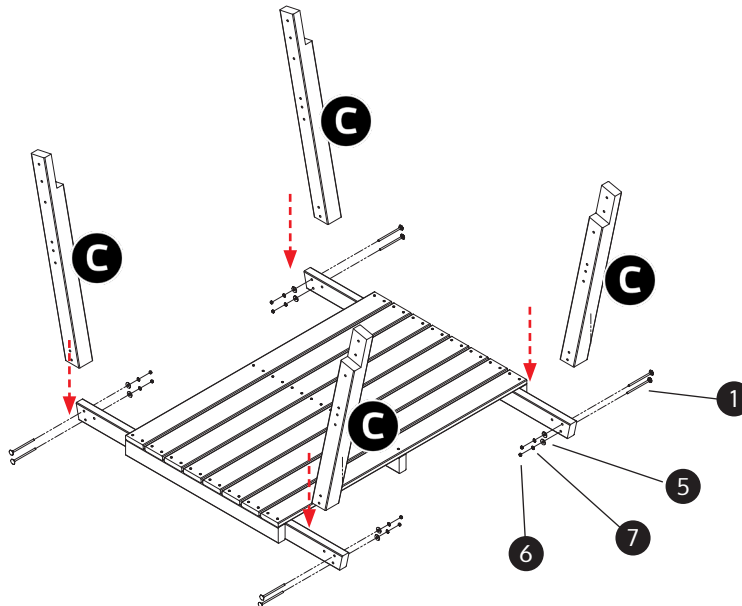






**Nuts & Bolts:** To allow ease of build, only tighten nuts & bolts by hand until the product is assembled. Once assembly is complete then tighten further with Spanner or Socket Set.

1

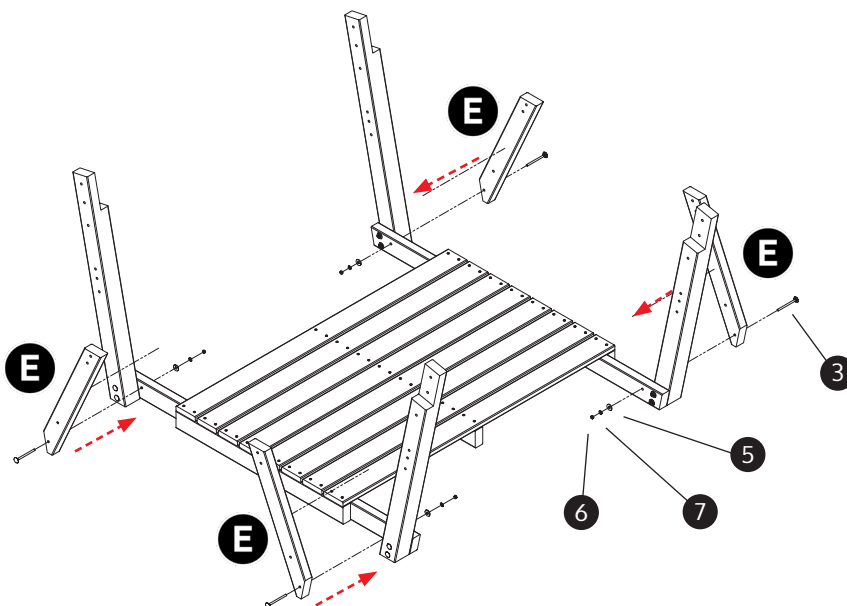


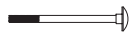



2



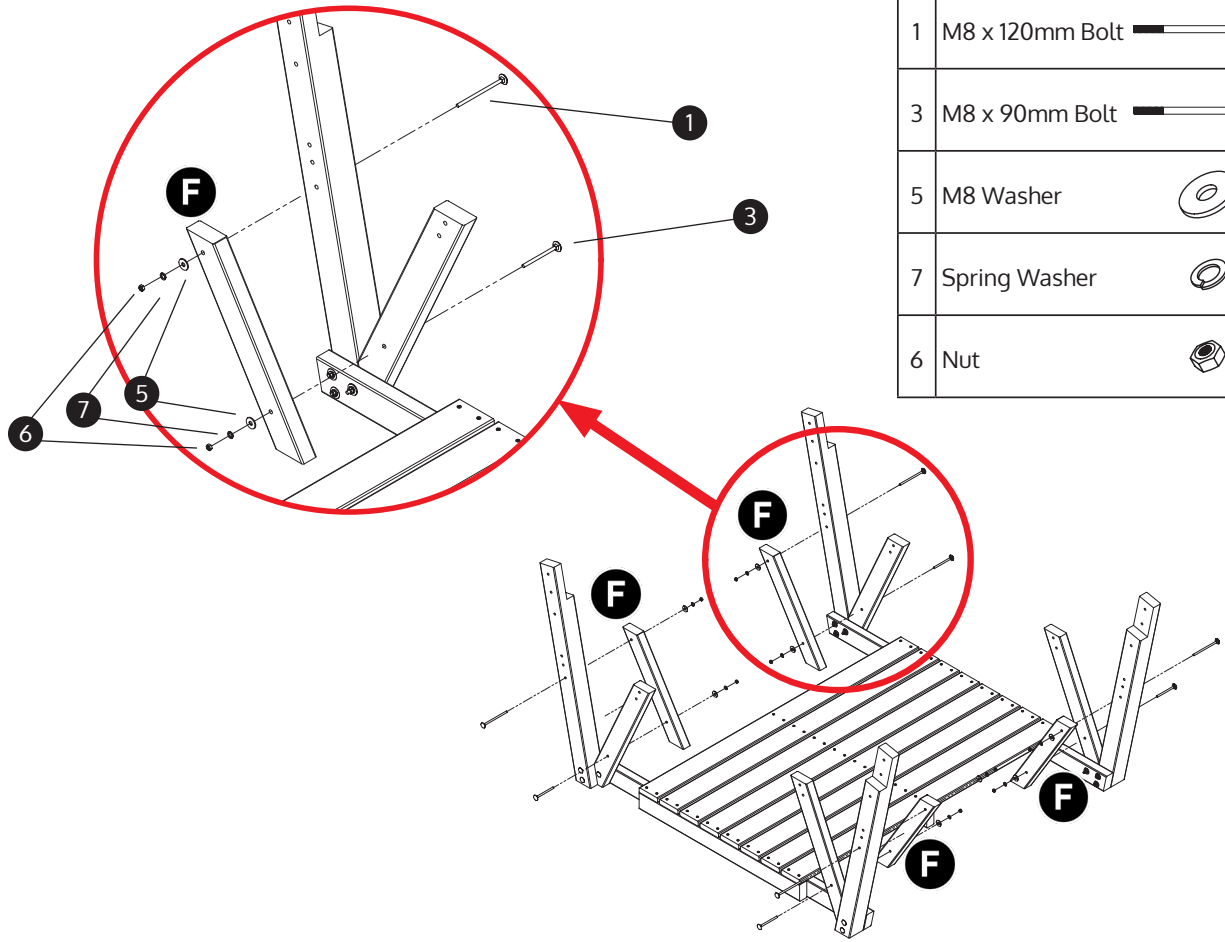
1	M8 x 120mm Bolt		x8
5	M8 Washer		x8
7	Spring Washer		x8
6	Nut		x8

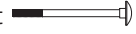




3



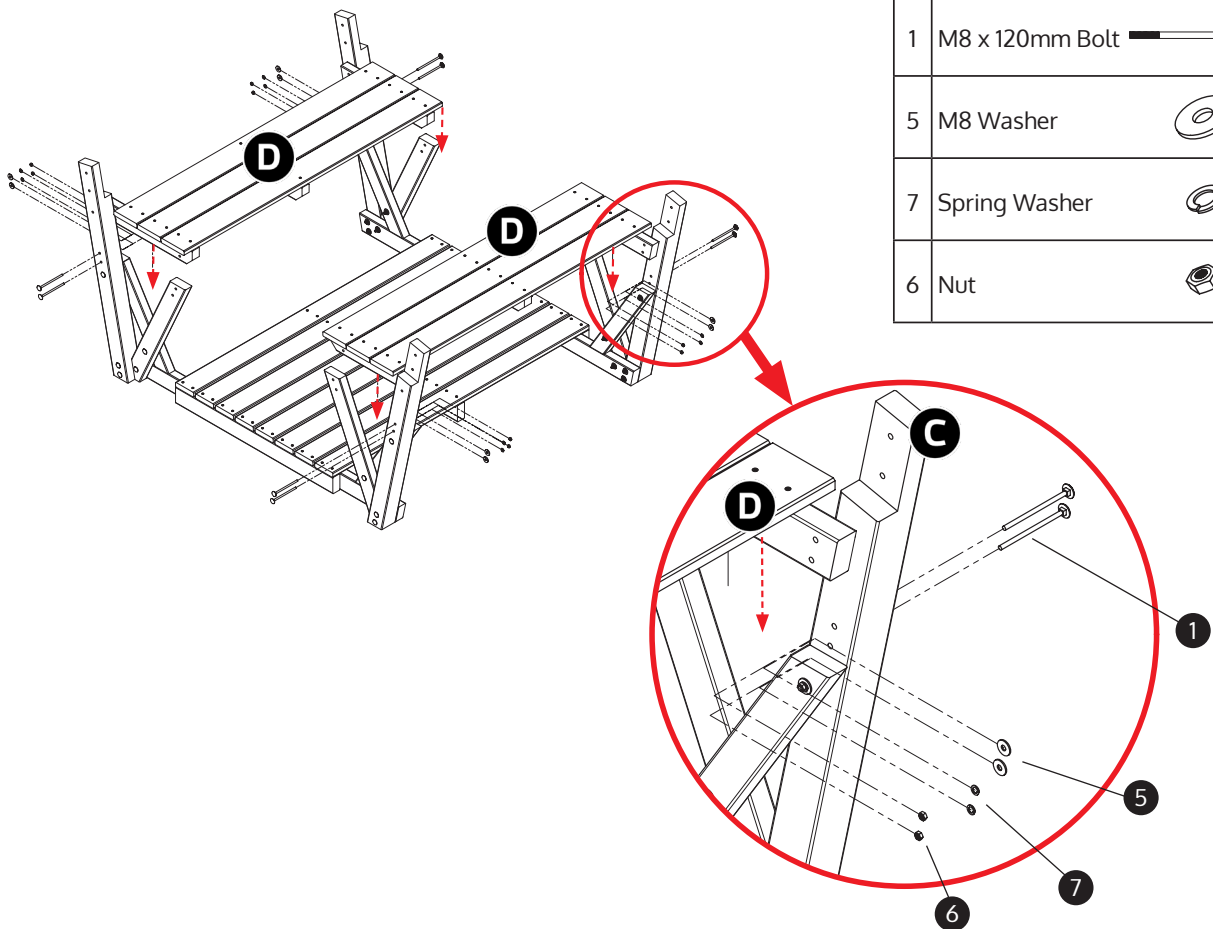
3	M8 x 90mm Bolt		x4
5	M8 Washer		x4
7	Spring Washer		x4
6	Nut		x4





4



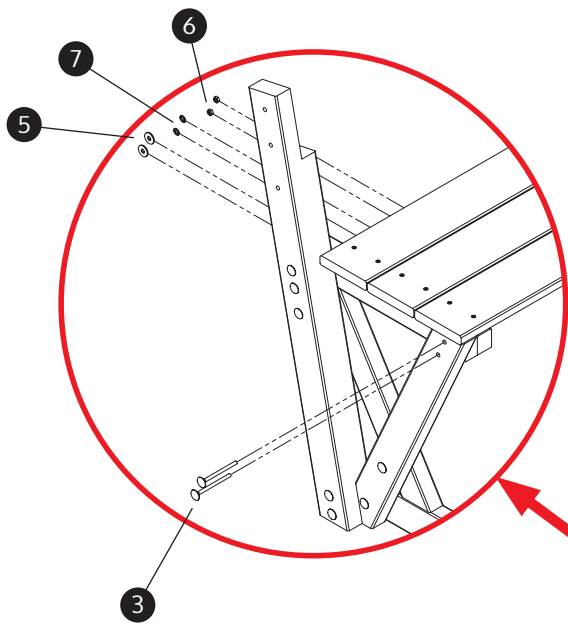
1	M8 x 120mm Bolt		x4
3	M8 x 90mm Bolt		x4
5	M8 Washer		x8
7	Spring Washer		x8
6	Nut		x8





5

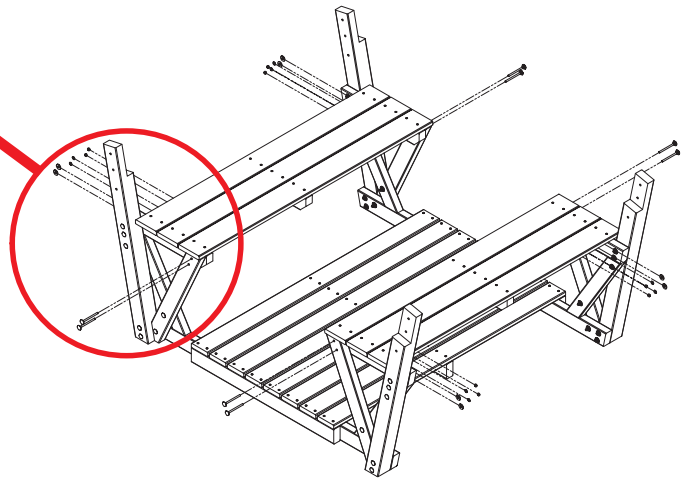


1	M8 x 120mm Bolt		x8
5	M8 Washer		x8
7	Spring Washer		x8
6	Nut		x8

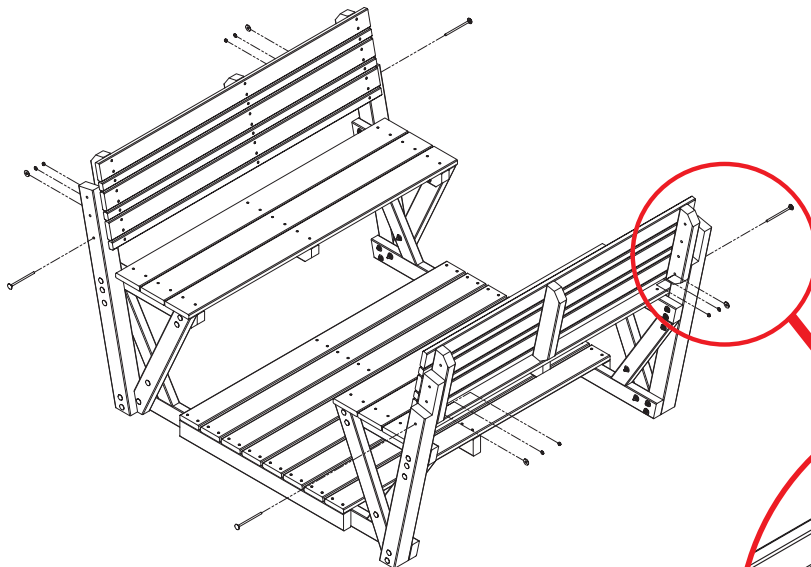
6







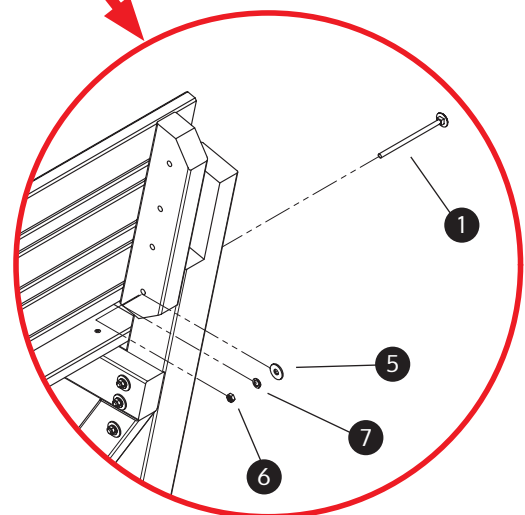
3	M8 x 90mm Bolt		x8
5	M8 Washer		x8
7	Spring Washer		x8
6	Nut		x8



7

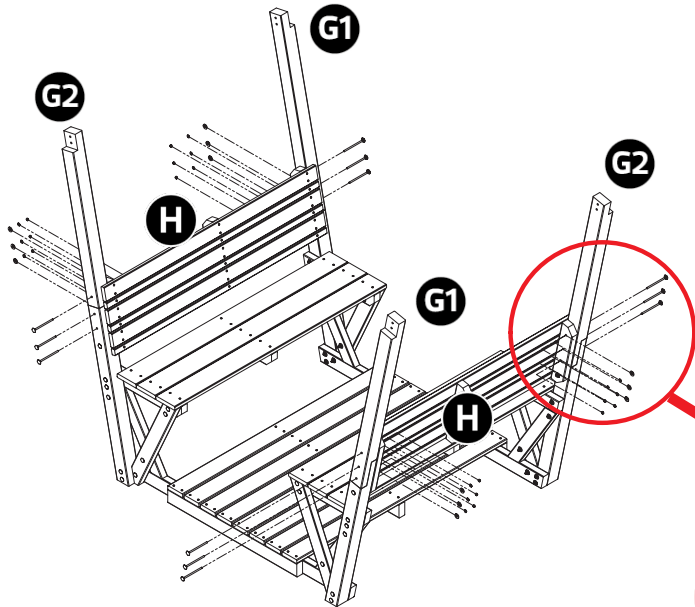






1	M8 x 120mm Bolt		x4
5	M8 Washer		x4
7	Spring Washer		x4
6	Nut		x4

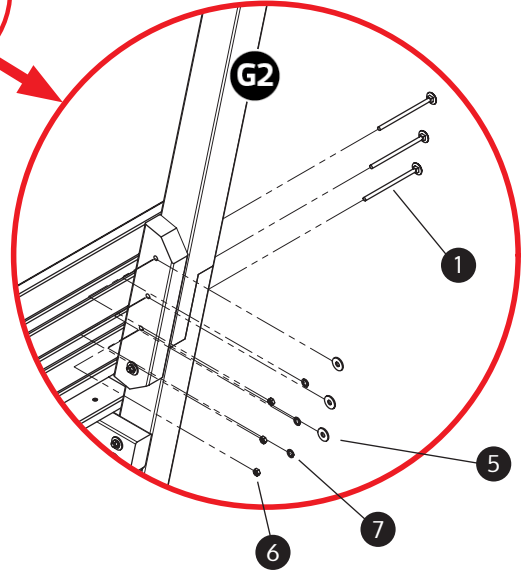




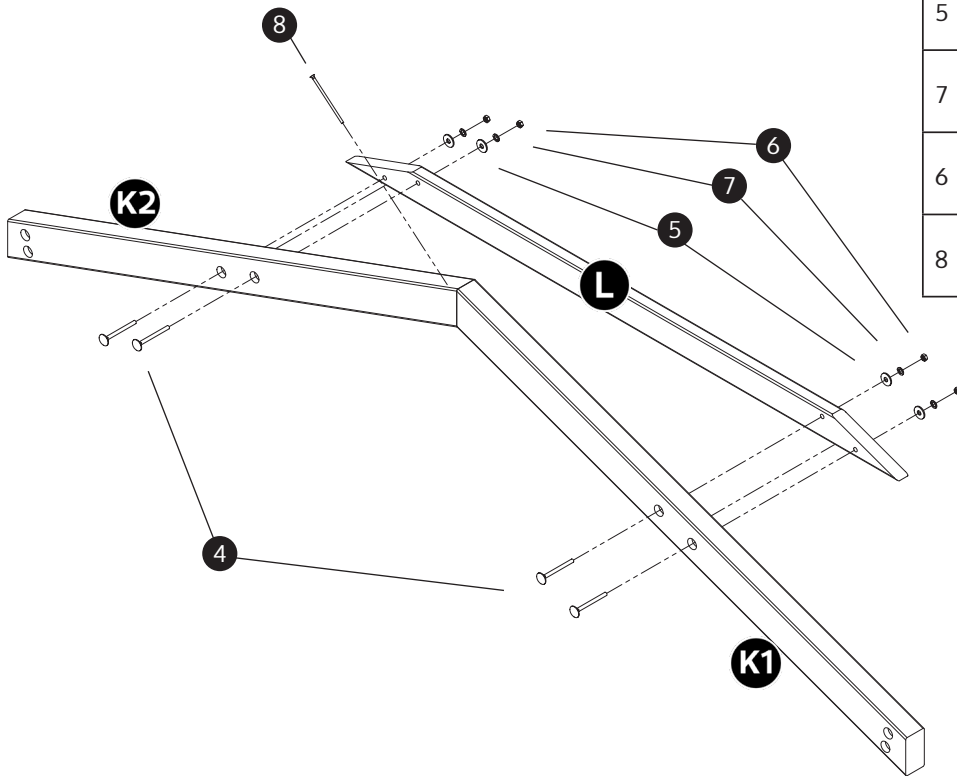
8








1	M8 x 120mm Bolt		x12
5	M8 Washer		x12
7	Spring Washer		x12
6	Nut		x12



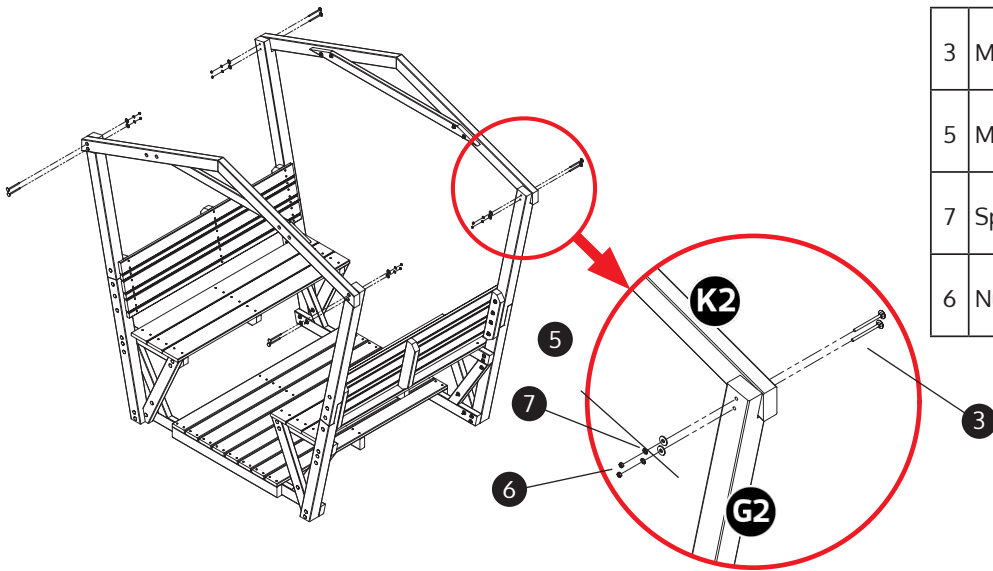
9







4	M8 x 75mm Bolt		x8
5	M8 Washer		x8
7	Spring Washer		x8
6	Nut		x8
8	90mm Screw		x2

Repeat assembly for remaining roof braces (K1, K2 & L).

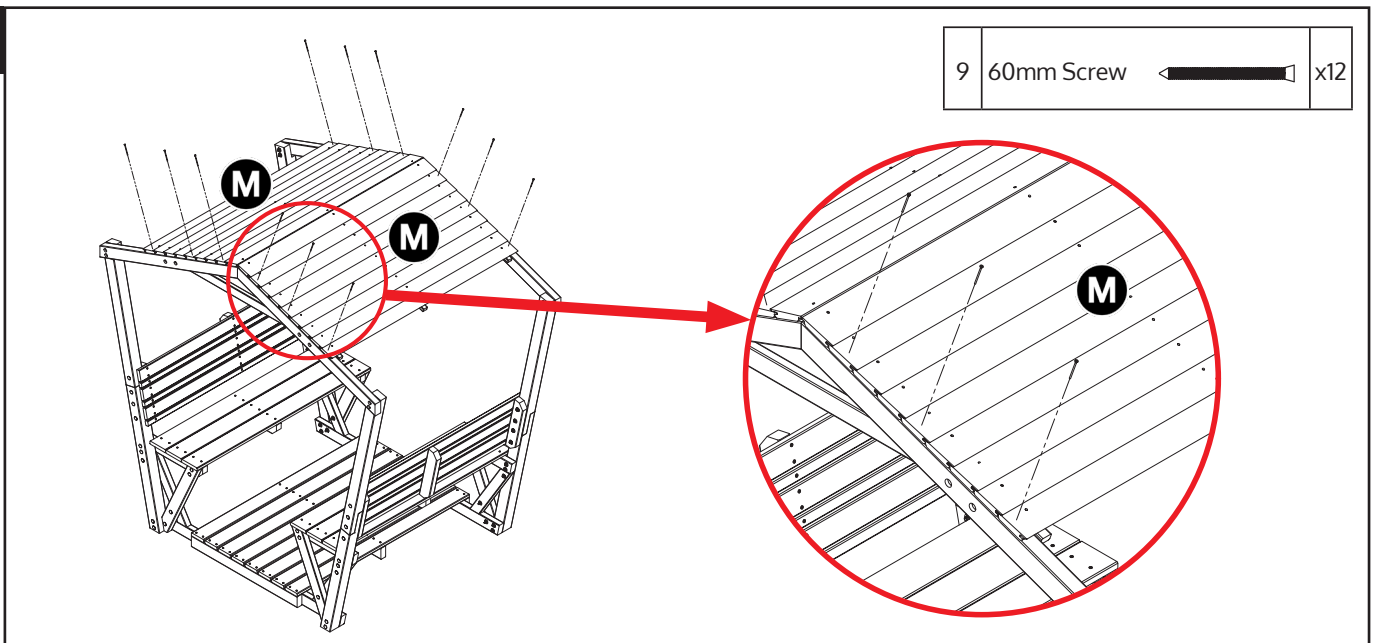
10



3	M8 x 90mm Bolt		x8
5	M8 Washer		x8
7	Spring Washer		x8
6	Nut		x8

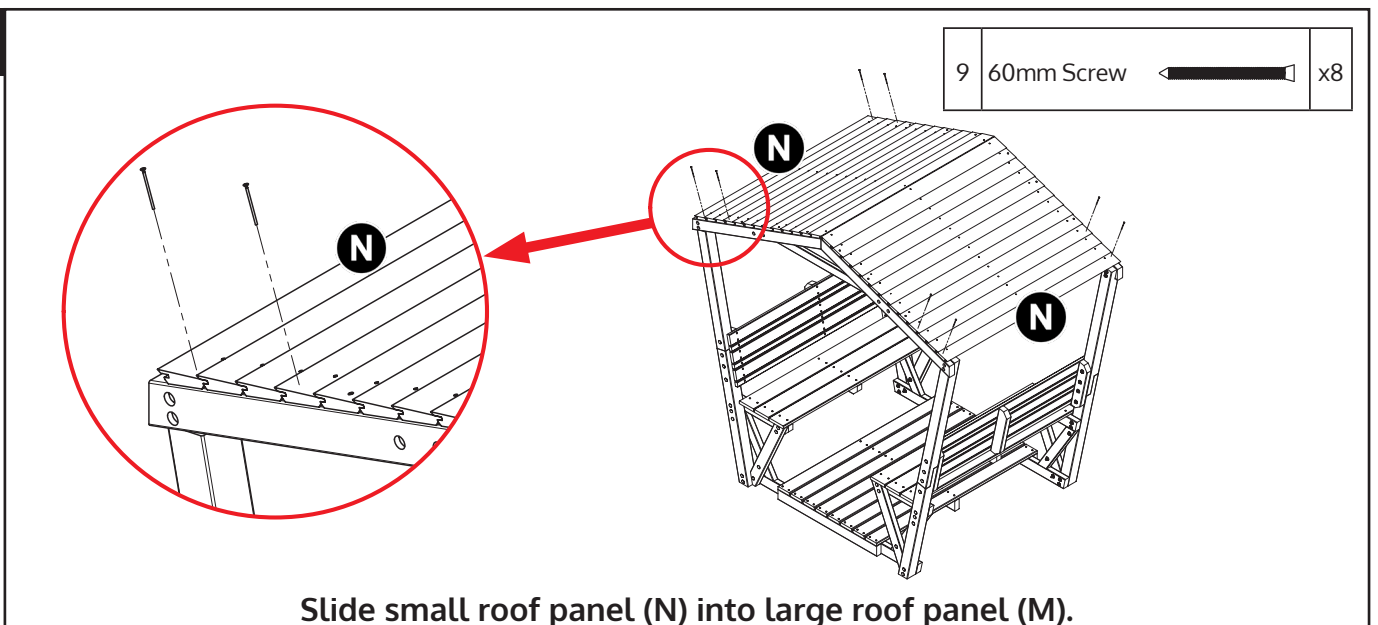
Fully tighten all previous bolts at this stage.

11



9	60mm Screw		x12
---	------------	---	-----

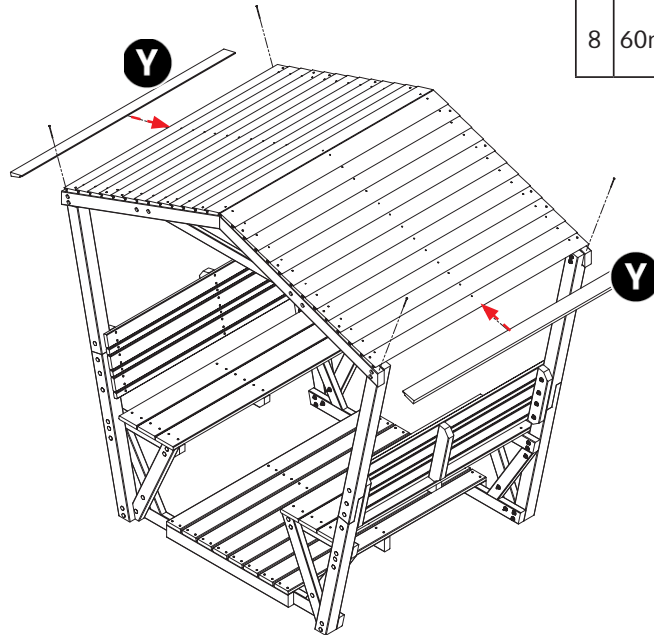
12



9	60mm Screw		x8
---	------------	---	----

Slide small roof panel (N) into large roof panel (M).

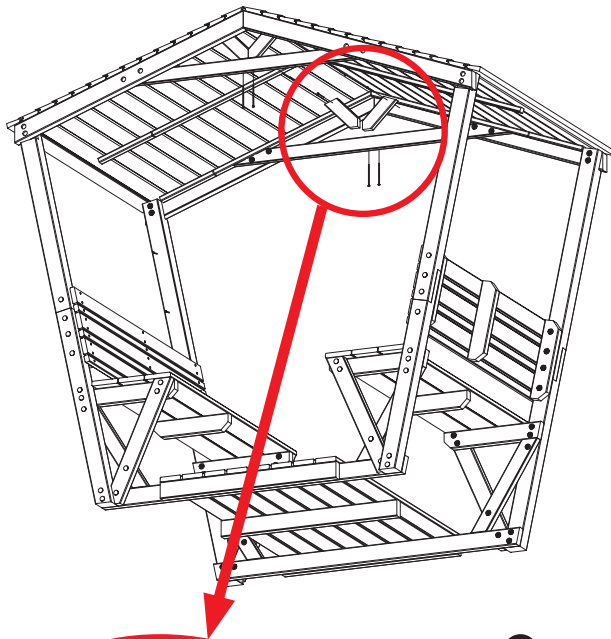
13





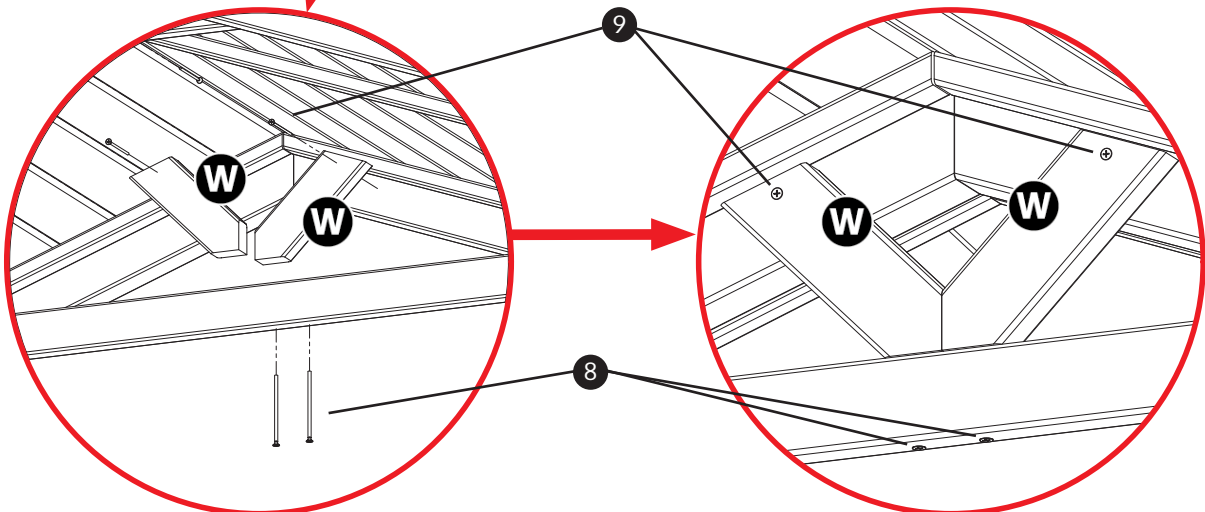
8	60mm Screw		x4
---	------------	---	----

Slide roof end boards (Y) into small roof panels (N).

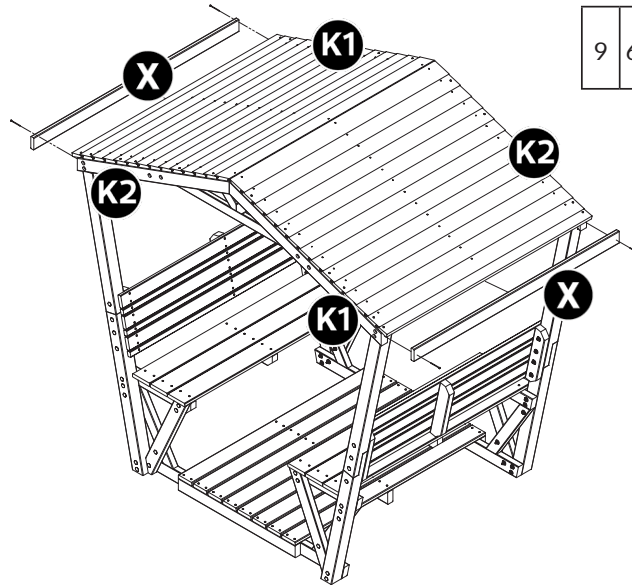
14



8	90mm Screw		x4
9	60mm Screw		x4



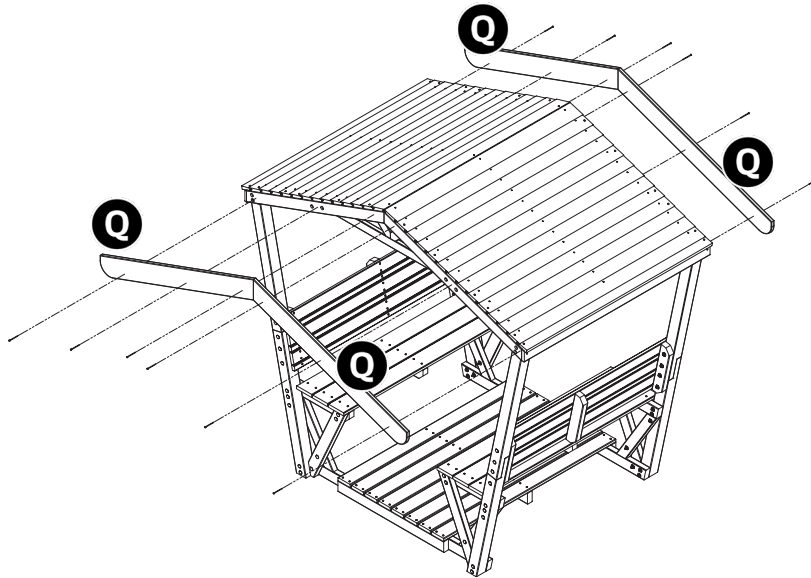
15



9	60mm Screw		x4
---	------------	---	----

Secure Roof Side Cap (X) into end of panels (K1 & K2).

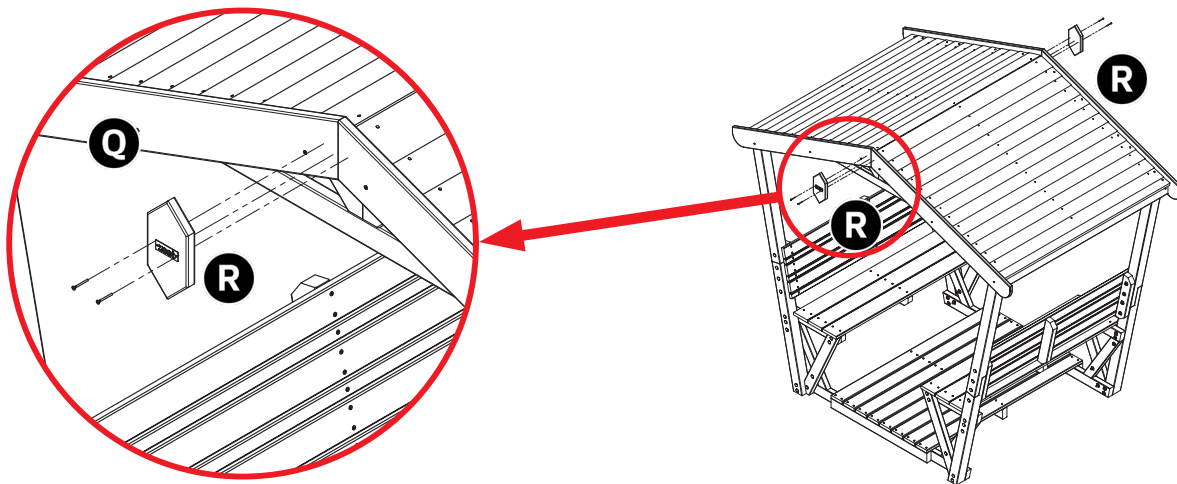
16



9	60mm Screw		x12
---	------------	---	-----

Fix Fascias (Q) using 3 x 60mm screws per panel - take care not to screw into the bolts.

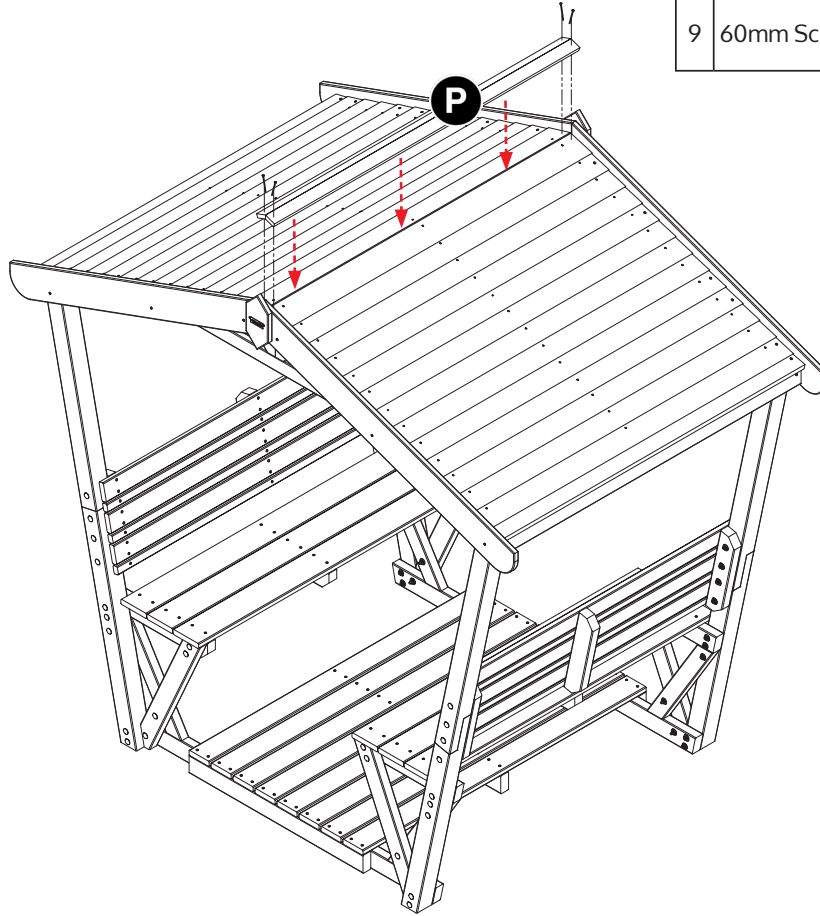
17



10	35mm Screw		x4
----	------------	---	----

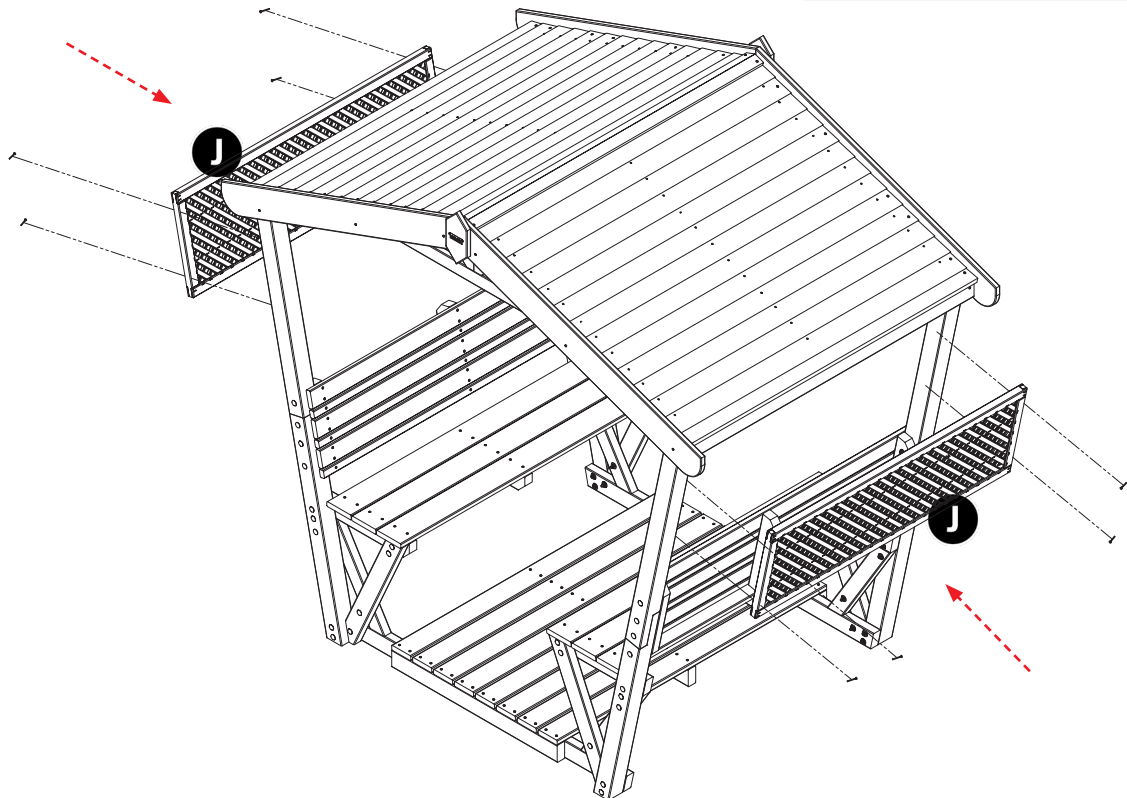
18

9	60mm Screw		x4
---	------------	---	----



19

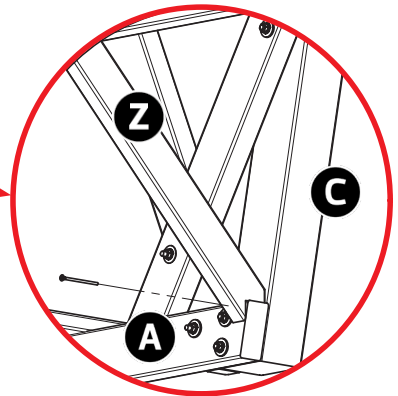
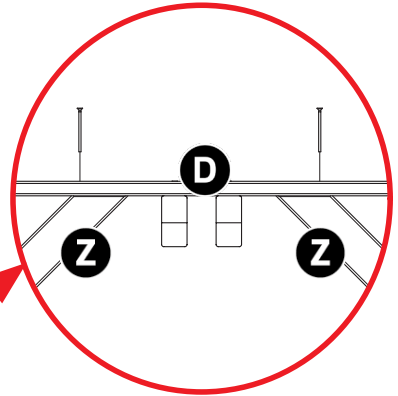
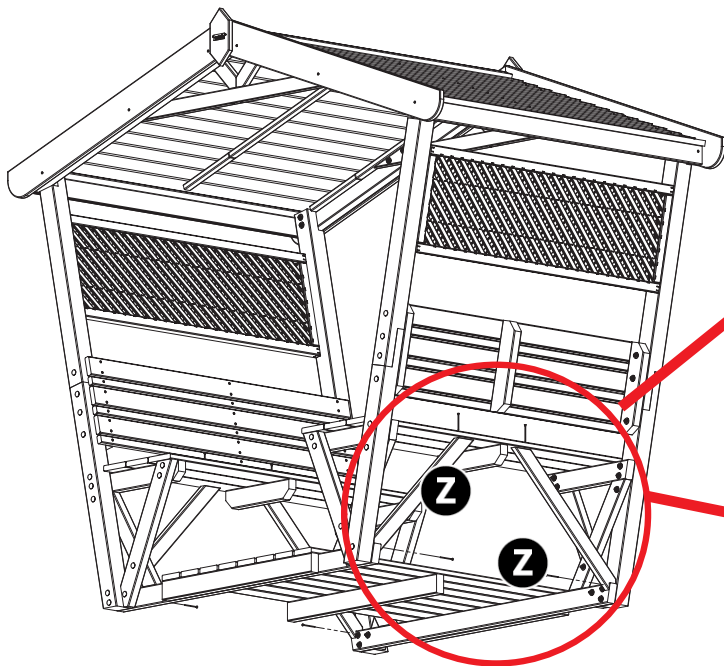
10	35mm Screw		x8
----	------------	---	----



Screw through the inside of the trellis frames (J) into posts (G1 & G2).

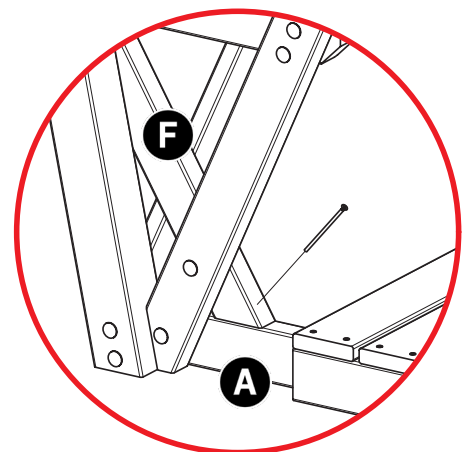
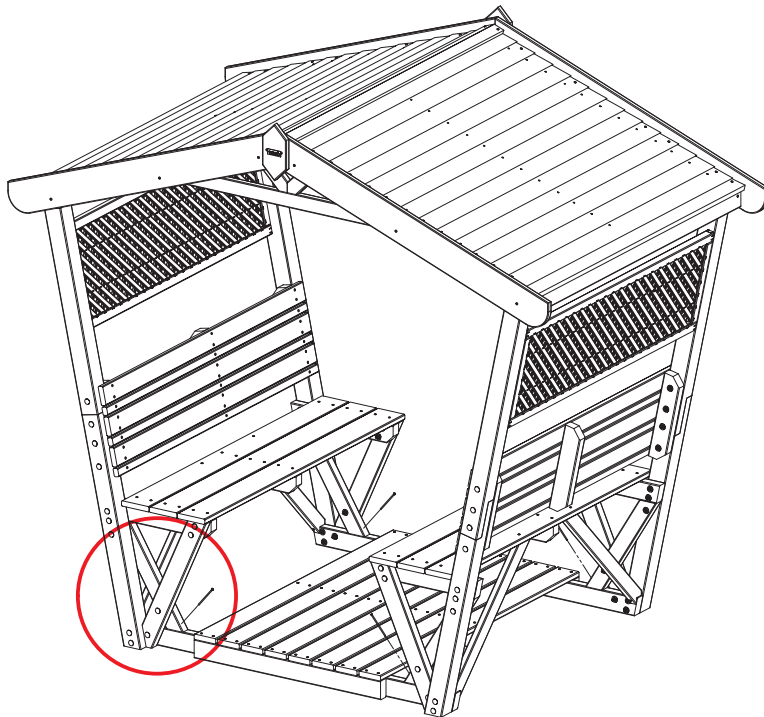


9	60mm Screw		x8
---	------------	---	----



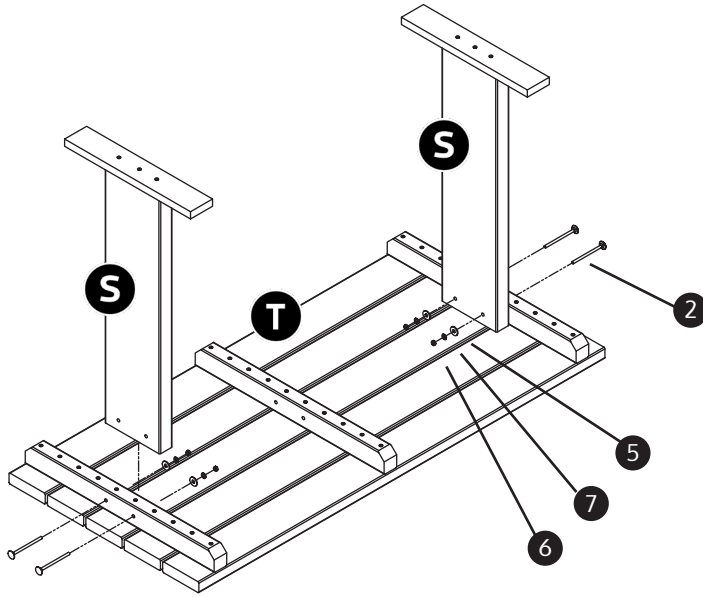
Fix Under Seat Brace (Z) under both seat assemblies.





8	90mm Screw		x4
---	------------	---	----



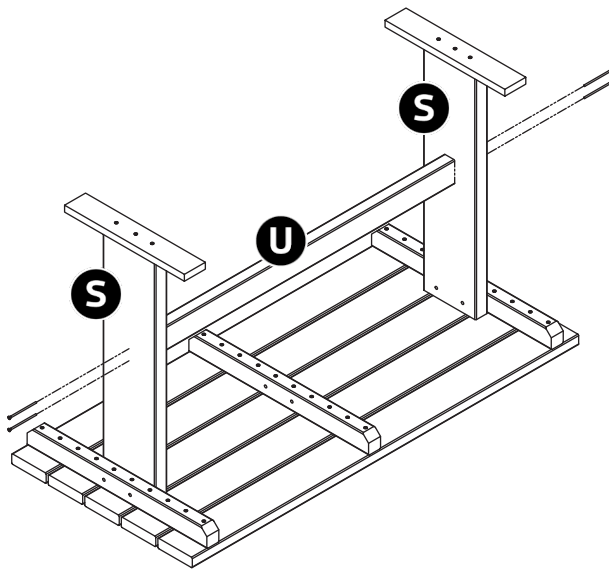
Secure Seat Brace (F) to Post Brace (A).

22

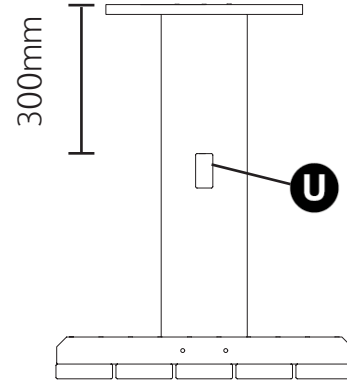


2	M8 x 100mm Bolt		x4
5	M8 Washer		x4
7	Spring Washer		x4
6	Nut		x4

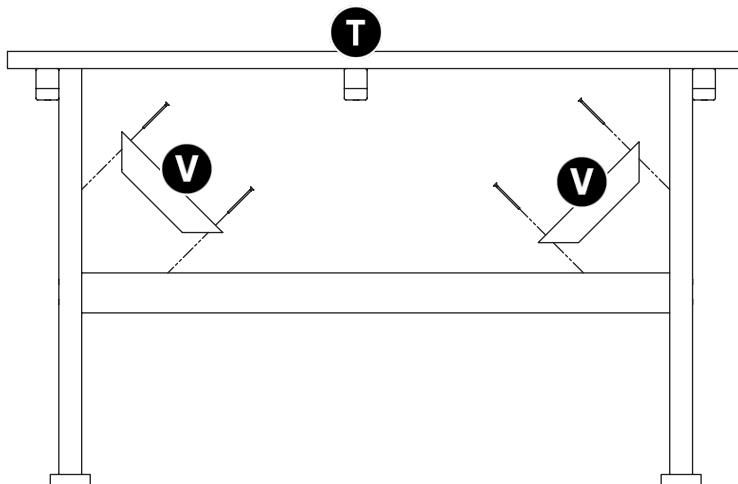
23



8	90mm Screw		x4
---	------------	---	----

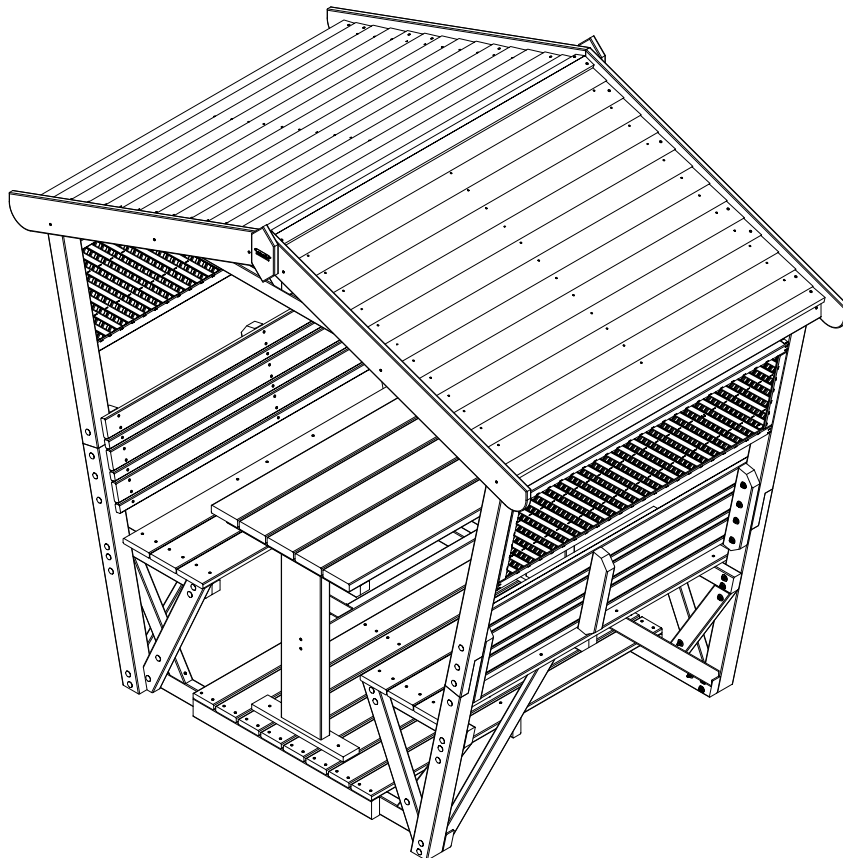
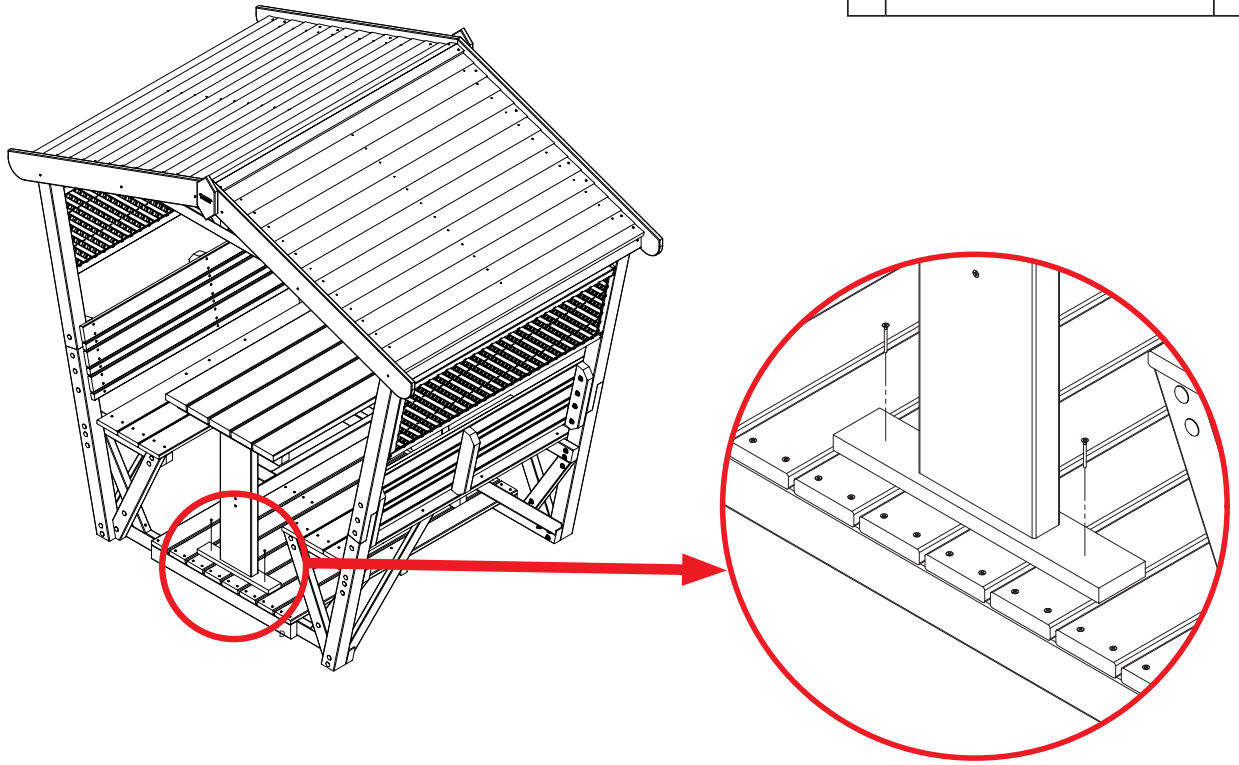


24



9	60mm Screw		x4
---	------------	---	----

10 35mm Screw  x4



NOTE: Periodically check and tighten nuts to maintain stability

**Your Stirling Arbour is now complete.**