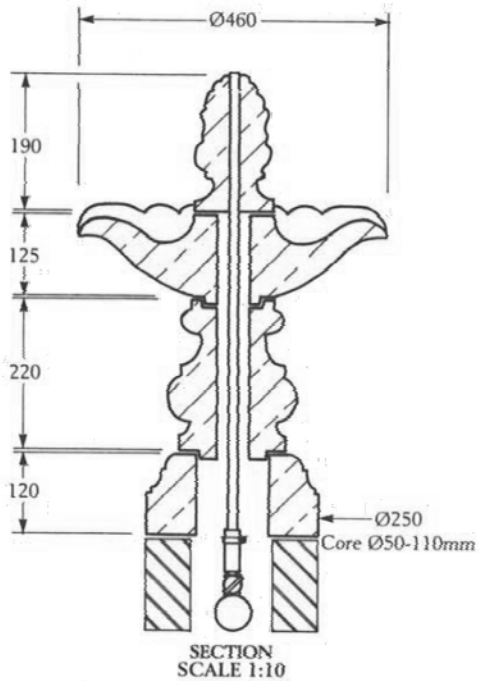
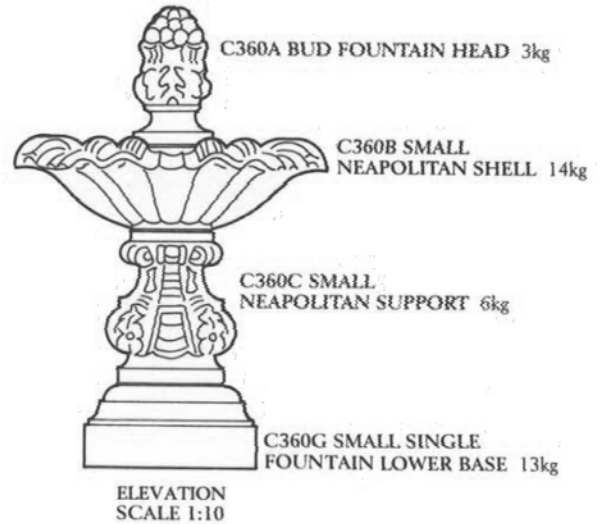


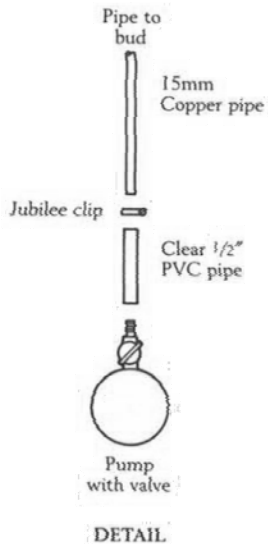
SMALL NEAPOLITAN FOUNTAIN C3750 WITH PLUMBING DETAIL (X341A)



Support to fountain to be supplied by others to suit site conditions and loadings.



To guard against frost damage, drain off the water at the beginning of November and do not replace it until the hard frosts are past in the following spring.



PLUMBING COMPONENT LISTING:

Jubilee clip 1/2"	x1
Clear 1/2" PVC pipe	1m
15mm Copper pipe	

All piping to be cut on site.

To ease connections, hot water may be used to soften PVC pipes.

BEDDING JOINTS - Use 1:1:6 cement/lime/sand mortar (sand to BS 882 grade F)
We recommend a water proofing agent is added to mortar.

POINTING - Joints should be pointed using our proprietary pre-prepared dry mix in accordance with the recommended instructions printed on bags.
Or use 1:1:6 cement/lime/sand mortar (sand to BS 882 grade F), colour-toned to suit (white cement may be necessary).

Note: For security and additional safety it is recommended that individual components are fixed together using a proprietary polyester or epoxy adhesive, eg. Fosroc Expandite Nitomortar PE Resin, SBD Certite or similar.

Unless otherwise stated, all materials other than stonework to be supplied by others.

Consult a qualified electrician to ensure electrical supply conforms with all regulations/codes.

Pump extra - see Price List

Allow 6mm for bedding joints.