

Shiplap Pent Shed

7' x 5'

IMPORTANT, RETAIN FOR FUTURE REFERENCE; READ CAREFULLY

This building is pre-treated with a factory base coat for protection during storage and transit. We recommend that you treat your new building as soon as possible after assembly using a wood preservative treatment. Apply in accordance with the manufacturers instructions.

- This product must be built on a solid level base.
- The roof of this building is not a load bearing structure.
- Timber is a natural material. It will shrink and swell as a result of varying moisture content.
- Due to the nature of the material the doors may need some trimming for a neater fit.
- Please keep all plastic bags and small parts away from children

Technical Helpline: **0333 7777 089** 8.30 am and 5.00 pm Monday to Friday.

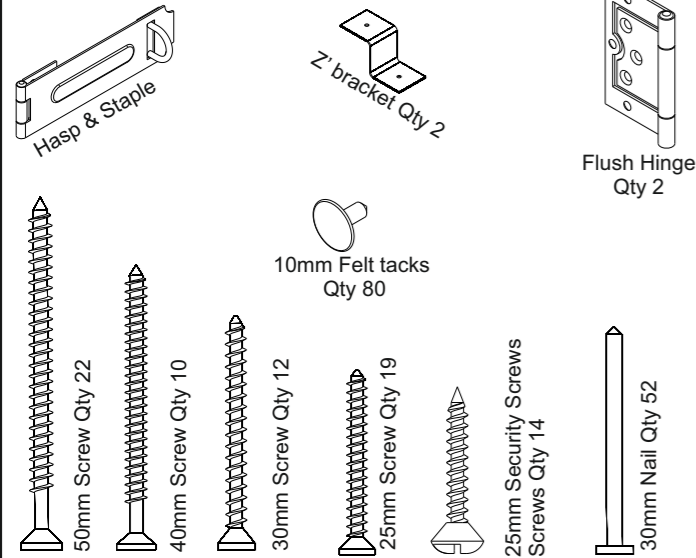
Please check all parts prior to assembly

Assembly of damaged parts may be deemed to be acceptance and this may affect the remedies you are entitled to. If the product is not constructed in accordance with the instructions, or is altered in any way (e.g. painted), the manufacturer cannot be held liable for any resulting damage.

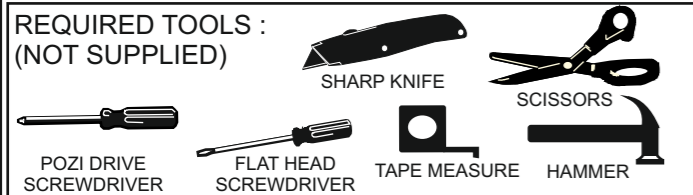
Fixing Pack (OPP75FP)

This fixing pack is used for several products. There may be additional fixings.

Not to Scale



REQUIRED TOOLS : (NOT SUPPLIED)



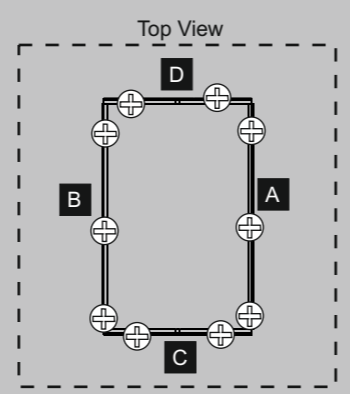
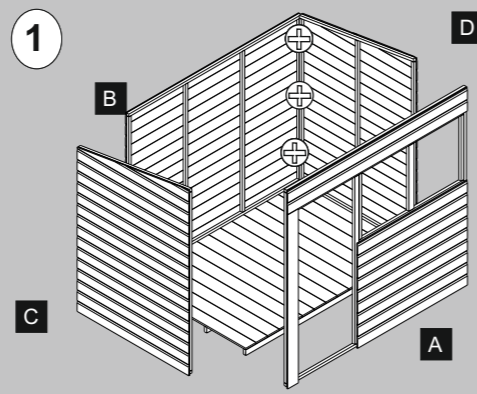
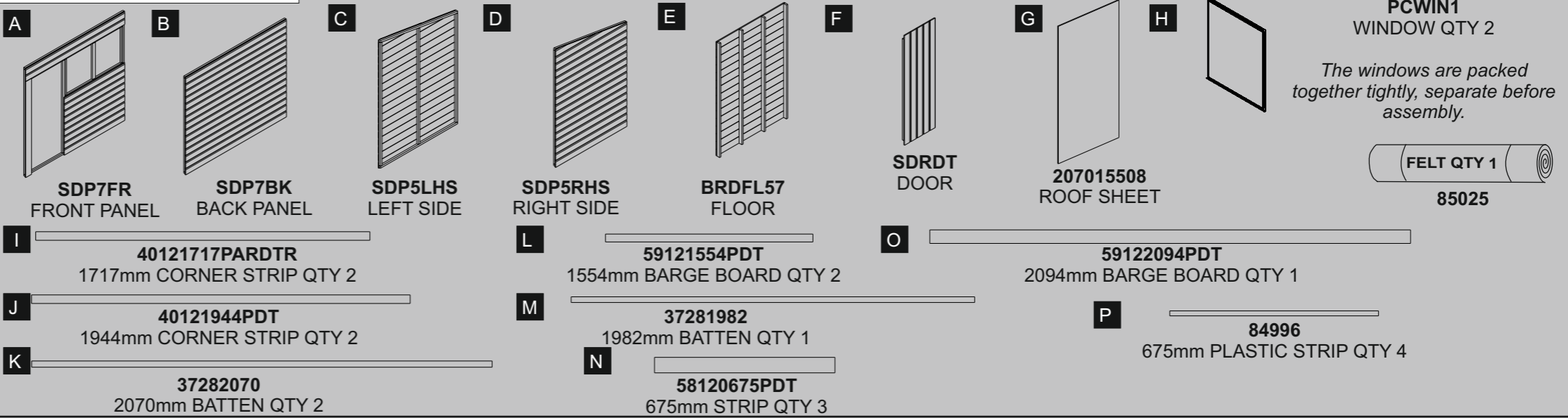
Important : Assembly of this shed requires a minimum of two adults.



Must Pre-drill for each screw used.



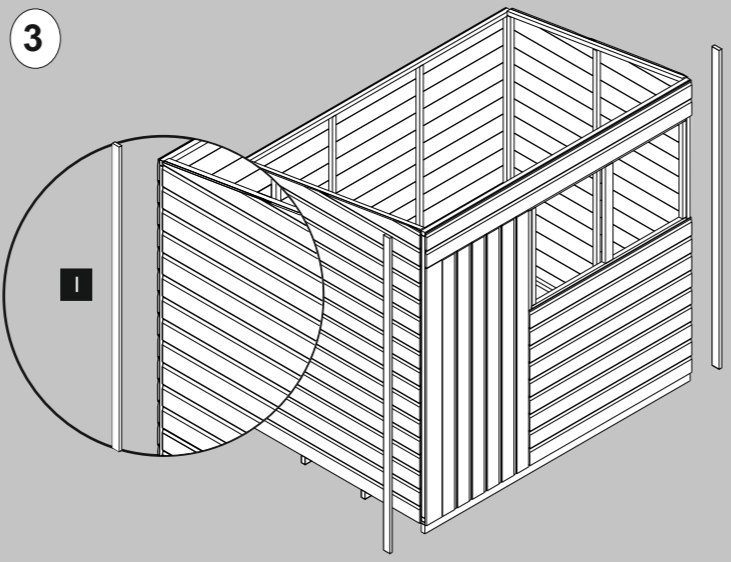
SDP75 PARTS LIST



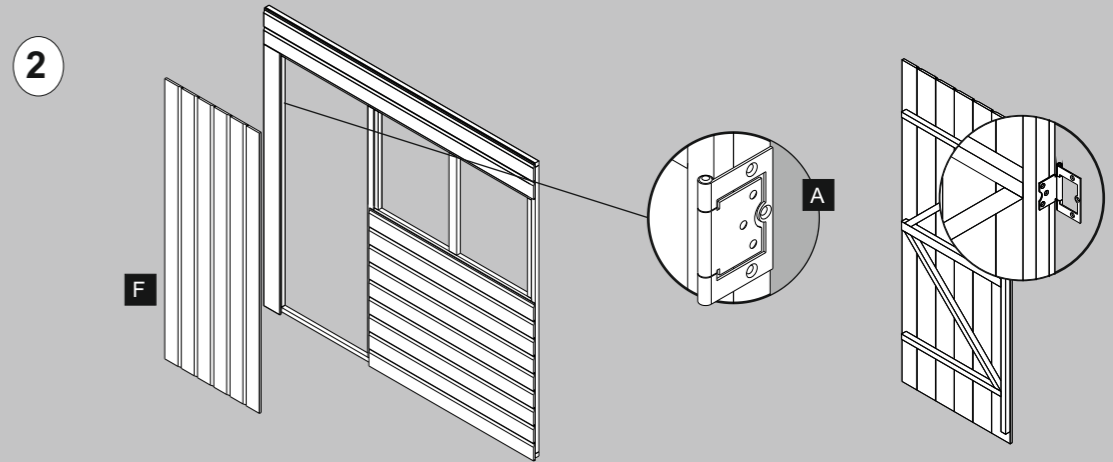
Place the panels on top of the floor. Make sure that all the panels are tight and flush before fixing them to each other using 3x50mm screws.

Before fixing the panels to the floor using 50mm screws, take care and make sure that they are all sitting flush. All of the screws should be positioned so that they screw into the bearers underneath.

3x50mm screws for the front and back panels.
2x50mm screws for the side panels.

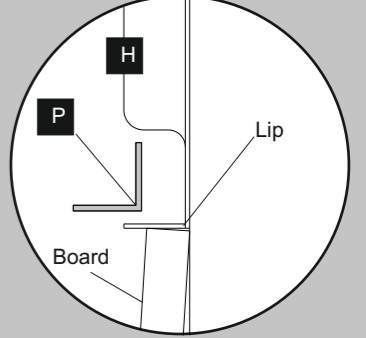
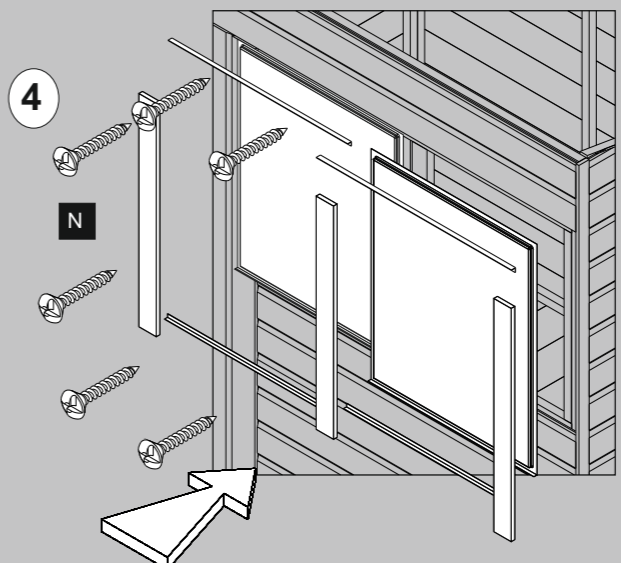


Place the corner strips so that they cover the joins between the panels. Fix each in place using 3 x 30mm screws



Place the hinge against the inside of the door frame and position the large section of the hinge so that it is flush with the inside of the framing as shown. Fix with 25mm screws.

Open the hinge and fix the smaller section to the door framing. Again make sure that the hinge is flush and that the holes are positioned so that the 25mm screws screw correctly into the batten.



Place the window from the outside so that the lip sits on the bottom board as shown.

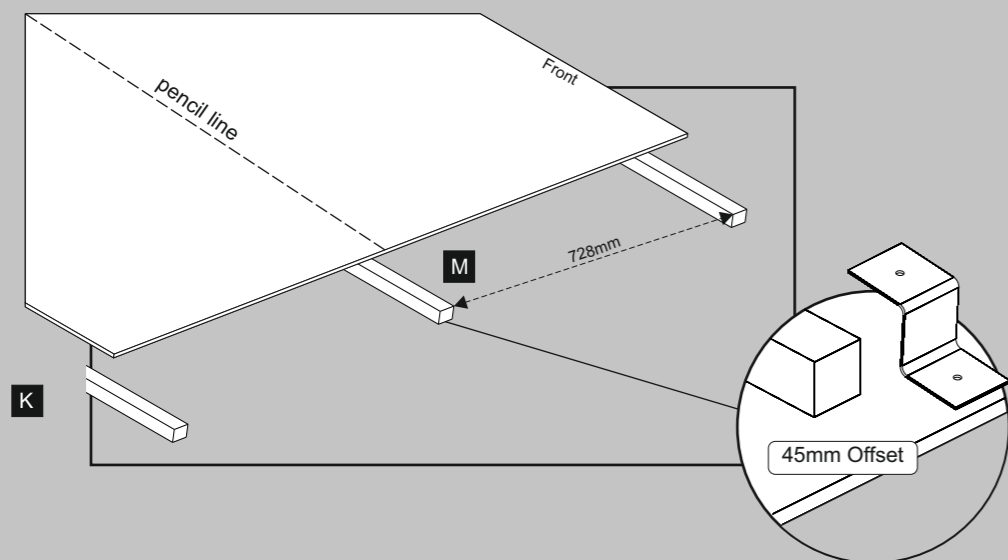
Place the plastic strips at the top and bottom of the window so that one side butts up against the cladding. Fix each strip in place using 2 x security screws.

Place one 675mm wooden strip in the middle so that it overlaps the window equally on both sides then place the two remaining strips either side of the windows. Again fix each wooden strip in place using 2 x security screws.

You may need to cut the plastic strips to size using a pair of scissors

Attention: Take care when placing the screws. These can not be backed out.

5

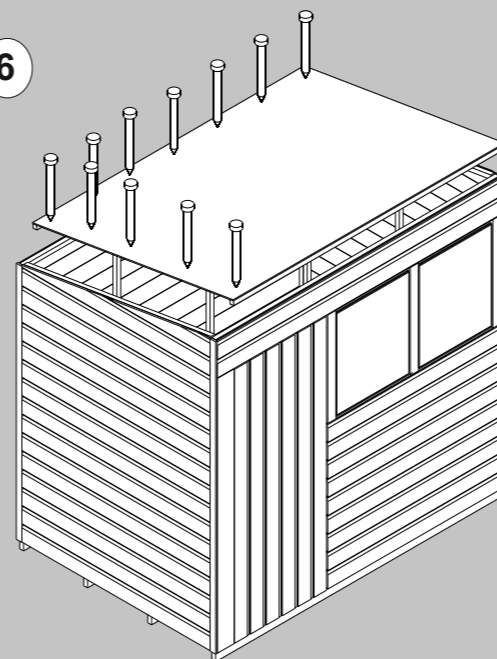


Nailing through the roof sheet into the battens. Position the battens as shown.

1. The 2070mm battens should be positioned so that they are flush on all sides of the roof sheet as shown. When fixing these use a nail at each end first to hold the batten in place.
 3. Place the 1982mm batten in 728mm apart from the front batten, and offset 45mm at each end. Fix each batten in place using 30mm nails spaced in 300mm intervals.

Fix a Z' bracket to each end of the centre batten using a 25mm screw for each.

6

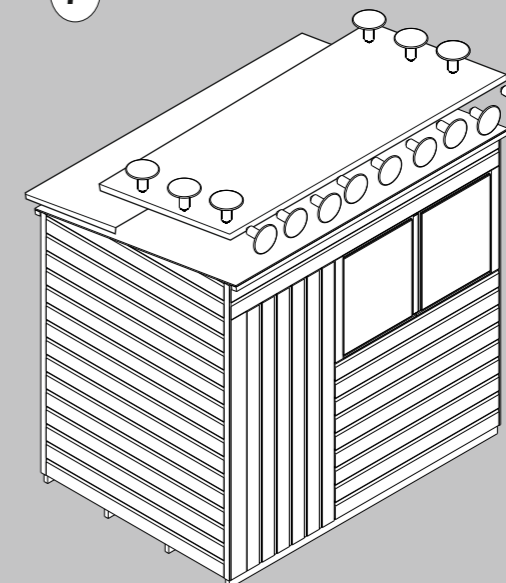


Lift the roof section into place making sure that it is in line with the sides. The middle batten on the roof should be in line with the central batten of the side sections.

Fix the roof in place using 30mm nails spaced in approximately 300mm intervals. (Make sure the nails locate into the framework of the panels)

- Be careful when working at height on ladders.
 - The roof is not a load bearing structure.

7

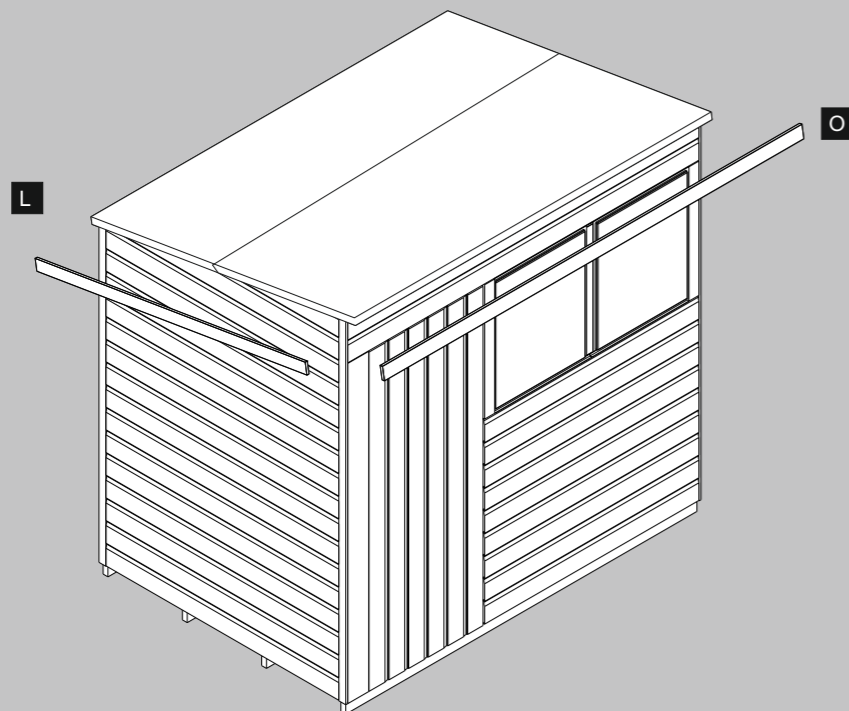


Cut the roof felt in to two equal lengths and place the first sheet on top of the roof at the back of the shed making sure there is equal overhang at the sides and approximately 50mm at the back. Fix the felt in place using the felt tacks spaced in 150mm intervals. Fold and tack the corners.

Repeat for the other sheet making sure it overlaps the first and use felt nails to fasten the seam.

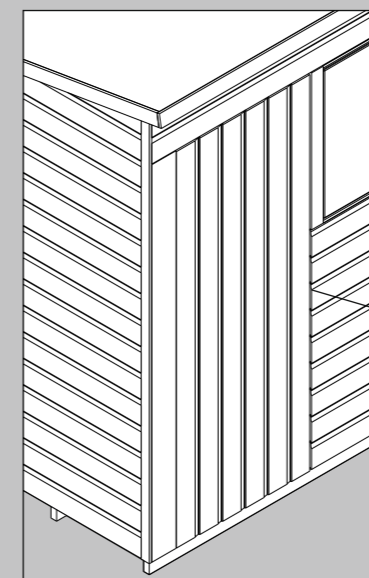
Attention
 Take care when cutting and trimming the roof felt.

8



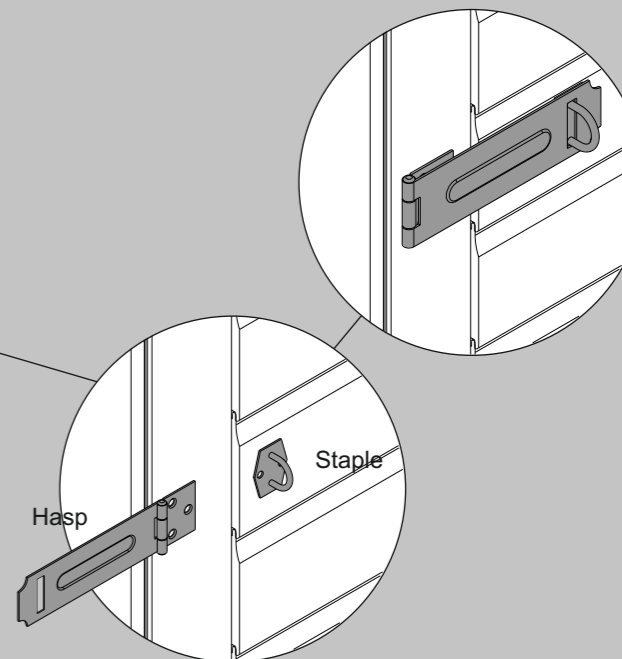
Place the 1550mm barge boards against the sides of the shed so that they are in line with the roof. Fix each in place using 3 x 40mm screws. Position the 2094mm barge board against the front of the shed again in line with the top of the roof and fix in place using 4 x 40mm screws.

9



Position the staple on the door end and in line with the centre batten on the reverse of the door. Make sure that the staple is in line with the framing behind and fix it in place using 2 x 25mm screws.

Before fixing the Hasp to the door make sure that it is in line with the framing on the reverse of the door and that it closes over the Staple. Fix this in place using 3 x 25mm screws.



Biocidal Product Regulation (EU 528/2012) Article 58 Information

This article contains timber treated with Celcure AC-500, incorporating biocidal products to give protection against wood destroying insects & wood rotting fungi.

Contains: Basic copper carbonate (Copper (II) carbonate – Copper (II) hydroxide (1:1)), Boric acid, Benzalkonium chloride.

Wear gloves when handling freshly treated wood. Avoid breathing dust when cutting treated or untreated wood. Dispose of off-cuts responsibly – do not burn.

Maintenance.

We recommend that you treat your shed at the beginning of each season with wood preservative treatment. Apply in accordance with the manufacturers instructions.

Regularly check (1) All fixings are secure (2) Roofing felt is free of holes and tears (3) Sand off any rough/sharp edges.