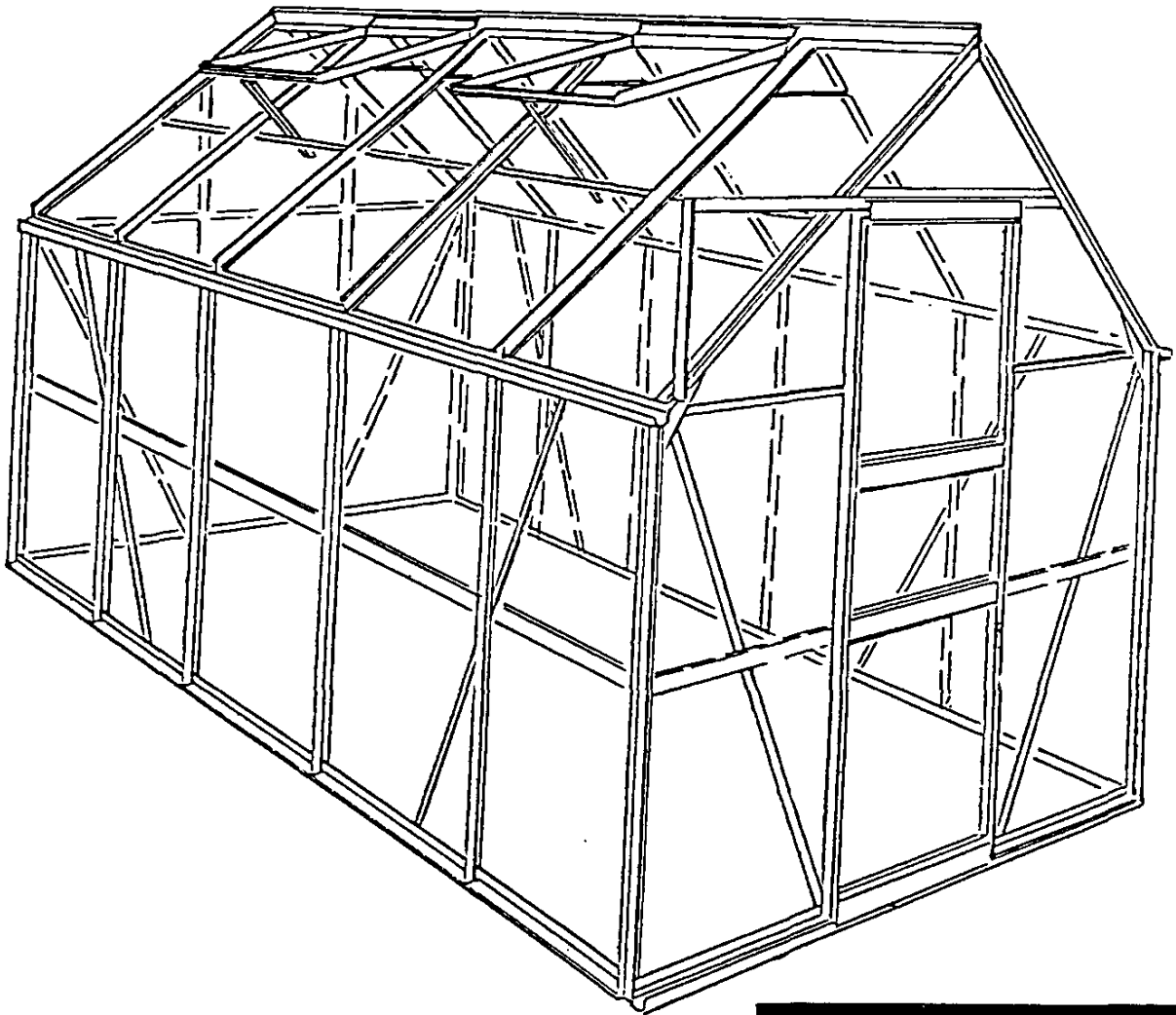

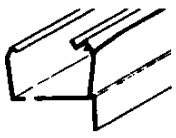
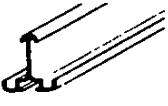
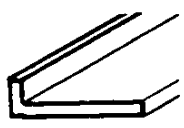


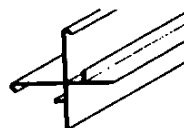
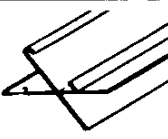
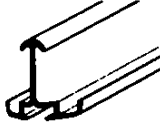

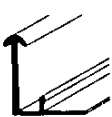

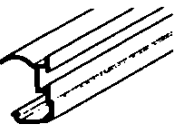



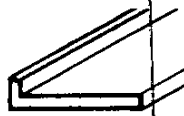
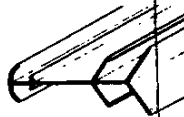
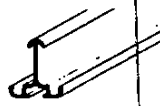



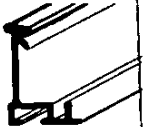
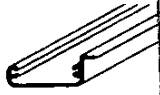

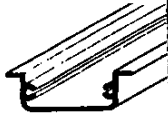

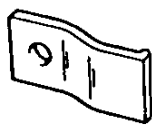
10 x 6
QU 30530 — 57035
30531 —
30532 — 47051
30533 —

Greenhouse Assembly Instructions


Model 106





No.	Section	mm	106	
12233	 1	3106	2	
12232	 1	3106	2	
01710	 1	1214	8	
01722	 1 2 3	1303 1303 1303	4 2 2	
01716	 2	1862	1	
01721	 2	1847	1	
01701	 2 3	1214 1214	2 2	
01704		2	1154	1
01705		2	1154	1
01702		3	1154	1
01703		3	1154	1
01708		2	1670.5	1
01709		2	1670.5	1
08613	 2 3		2 2	
01706		3	1650	1
01707		3	1650	1
01717	 3	1862	1	
08604	 3	1260	1	


No.	Section	mm	106
01712	 3	630.5	1
01723	 3	601.5	2
12231	 4	3106	1
01711	 4	1132.5	8
08560	 4		8
12237	 4		4
01719	 5	388	1
01720	 5	1610	2
08610	 5	626	1
01727	 5	626	1
01726	 5	626	2
08611	 5	618	1
08698	 5	15	2


No. Section mm 106


00401  5 No.6x19 16

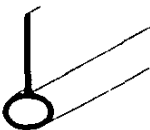
01745  5 M4x16 2


01747  5 M6x40 1


00699  5 M4 2

00681  5 M6 1


01645  5 M4 2

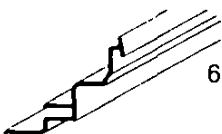
00333  5 1610 2

12224  5 2


00799  5 2


12223  5 1

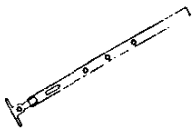
08615  6 642 2

01738  6 602 2


No. Section mm 106

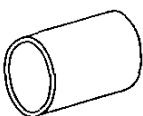
08632  6 602 2


01730  6 522 4

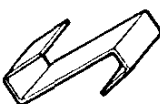
08617  6 2


08616  6 4

00402  6 No.6x6 12

08588  6 2


00453  7 232

00458  7 60

00411  7 74000 1

08589  4

00400  M6x10 124

00697  M6 124

A

1

2

3

4

5

6

7

SAFETY WARNING

- 1. Always wear protective glasses, shoes, gloves and headgear when handling glass – sharp edges can cause injury.**
- 2. Broken glass is a safety hazard. Clean up immediately – dispose of with care.**
- 3. Any difficulty in fitting glass, contact our customer service department for advice – do not use force.**

Site Selection - Important

Choose a sunny spot for your greenhouse, with as much protection from the wind as possible. In strong winds, close all vents and doors. In the event of heavy snowfall, clear the roof of the building or take suitable measures to support the roof. Observe all building regulations.

Tools Required

Screwdrivers (Normal and Crosshead), 10mm AF spanner or wrench.

Assembly - Important

Before starting the assembly, check the parts against the parts list. Remove packs from box in order to identify parts.

It is important that the open packs do not get mixed. If anything is missing, please contact our Customer Service Department using the form included at the back of these instructions

Maintenance

To keep your greenhouse clean, wash thoroughly with mild detergent solution. The glass may be cleaned

with any cleaning solution that does not adversely affect the aluminium frame or the glazing clips. Ensure that the upper and lower Door Tracks are regularly cleaned to prevent an accumulation of debris.

Notes

Retain these instructions for the future use. We recommend that you include your greenhouse in your house insurance.

A Base

Ensure base is square and level. A galvanised steel prefabricated base is available from stockists for all models (on very exposed sites, drill sills and steel base and secure with nuts and bolts). Should you wish to build a brick or concrete base follow the dimensions given in section A. Fix timber battens (29 x 18mm) as shown and drill through sill members in the centre of each bay (leaving adequate room to glaze) and fix using No. 12 x 50mm screws and plugs.

N.B. All illustrations are viewed from the inside. Except those marked **XX.**

1 Side

- Lay the parts on the ground and bolt loosely together remembering to slide one bolt into each vertical glazing bar **C** in order to fit brace.
- Repeat with the other side.

2 Plain Gable End

- Lay the parts on the ground and bolt loosely together remembering to slide one bolt into each vertical glazing bar **I** in order to fit brace.

3 Door Gable End

- Lay out the parts as before and bolt them together loosely in the same order as the plain gable end.
- Fix door track support **(01712)** to gable end bars. From the outside loosely fix two bolts and nuts to door track support and slide door track **(08604)** onto the heads of bolts **D**. Using same two nuts and bolts fix brackets **(08698)** to door track support ensuring hook locates into vertical glazing bars **N**.
- Fix nut and bolt to hole end of door track as door stop **P**.

4 Assembly

- Fit triangular end caps to joint between corner posts and gable end bars. **Q**
- Join the two sides to both gable ends.
- Fix ridge bar and roof glazing bars, remembering to slide a bolt into a pair of roof bars **U** in order to fit roof vent (if applicable).
- Lift frame onto prepared base, secure lightly.
- Check the building is square and vertical, then tighten all fixings.

5 Door

- Push door sliders **(12224)** into bottom rail at ends.
- Assemble door as in main illustration.
- Fit both wheels to wheelhousing **Z** using M4 nuts, bolts and washers.
- Fit wheelhousing to door assembly **AA**.
- Fit weather seals to both vertical door bars and trim to length **BB**.
- Slide door wheels onto door track ensuring bottom slide locates onto sill as in **CC**.
- Fit vertical door track support to gable end bar **DD** and door track **EE**.
- Adjust wheelhousing so door runs smoothly.

6 Roof Vent

- Use 6A or 6B.
- Bolt both side bars to roof vent hinge.
- Fit bolts to bottom of side bars.
- Slide glass into side bars **GG**.
- Fit roof vent bottom bar onto side bars and fix.
- Check roof vent frame is square and tighten nuts **HH**.
- Slide top bar of roof vent into ridge bar **II** and slide into position required.
- Position roof vent sill between roof glazing bars and fix to previously fitted bolts **JJ** and adjust to suit vent **KK**.
- Fit vent stay to vent bottom bar, using screws **(00402)**. Fit rubber end cap to end of stay. **(08588)**
- Fit both roof vent stay pegs to vent sill using screws **(00402)**.

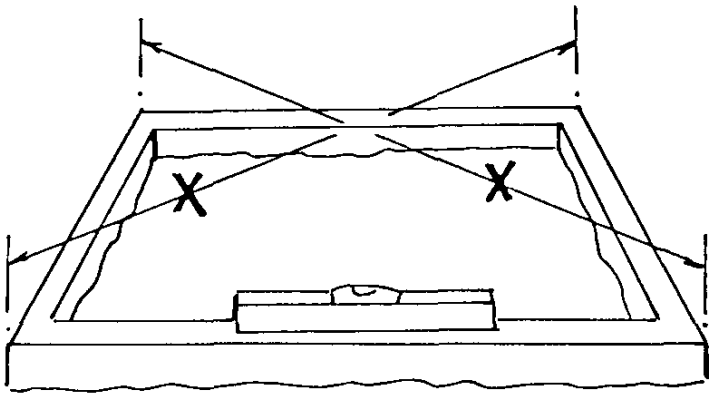
7 Glazing

PLEASE NOTE SAFETY WARNING ABOVE

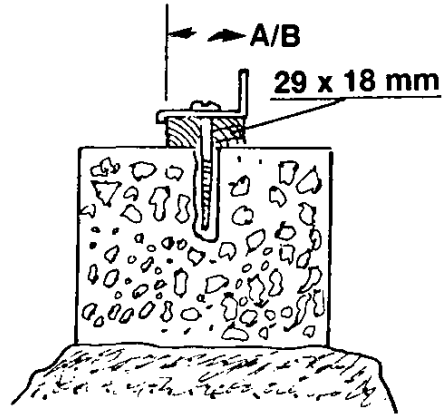
- Fit glazing strips to all glazing bars and trim to length **MM**.
- Starting at the ridge, glaze the roof using glazing clips **(00453)** and Z clips **(00458)** between panes as shown in glazing plan.
- Glaze rest of building starting from the bottom.
- If you have difficulty inserting the final panes check that the upper panes have not slipped down.

Finishing

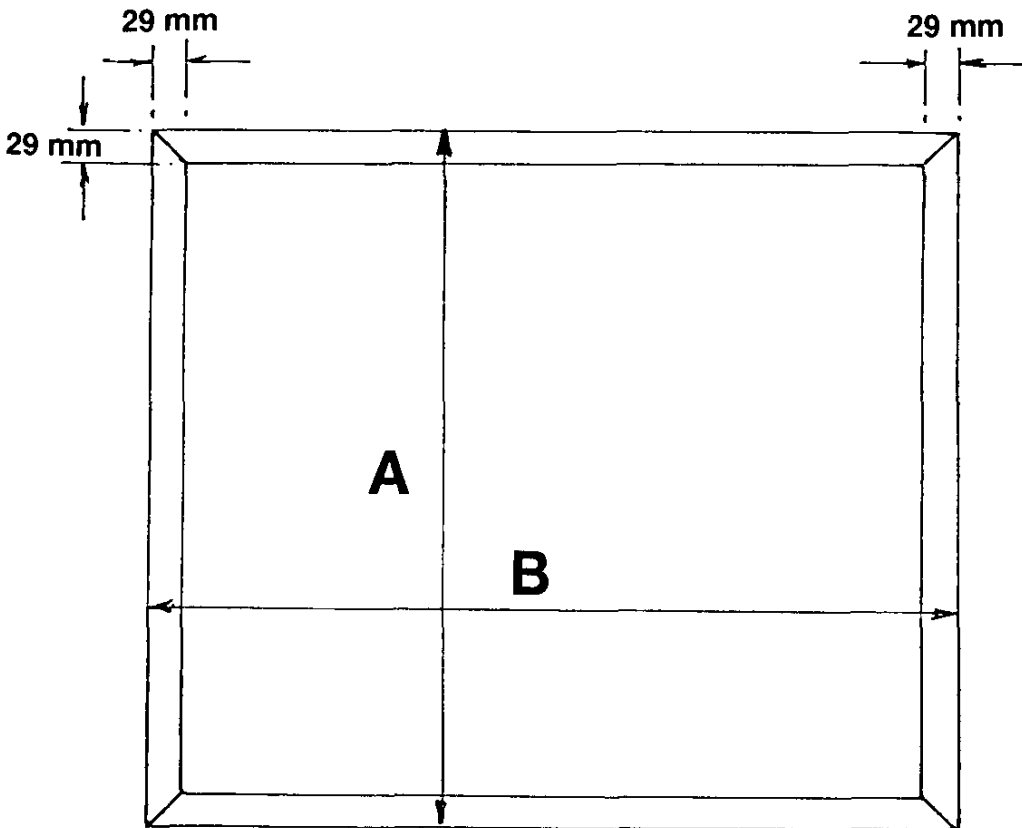
- If you require to seal your greenhouse, apply silicone sealant (not supplied) to all joints.
- Fit gutter end caps to gutter bars upon completion of erection.
- Affix Snow Clearance label to gutter bar inside building.
- A full range of accessories to suit this greenhouse is available from your stockist.



X = X

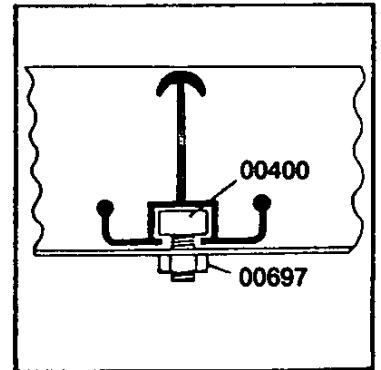
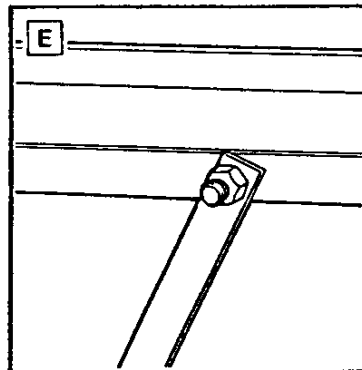
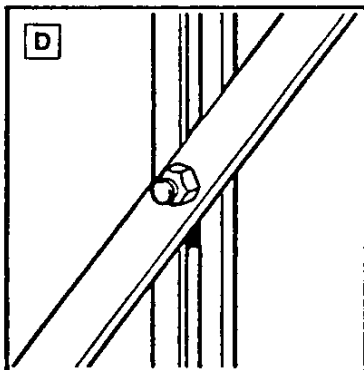
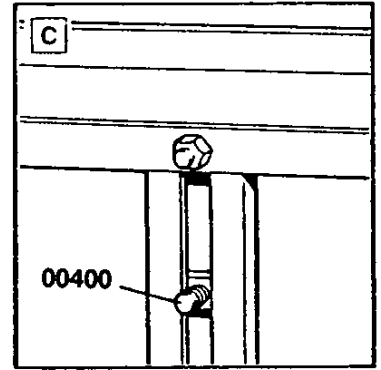
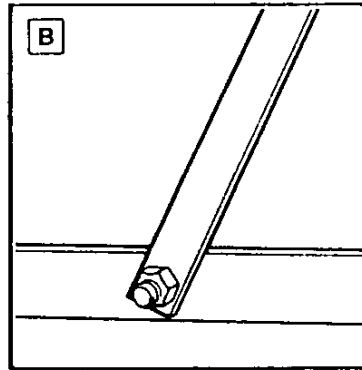
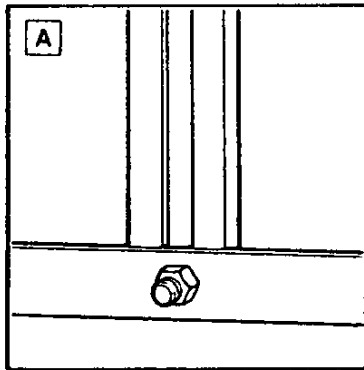
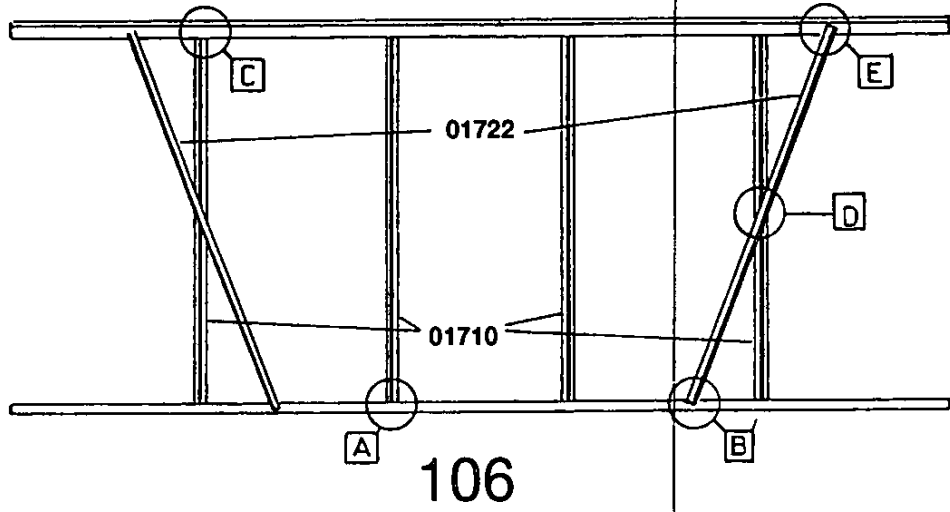


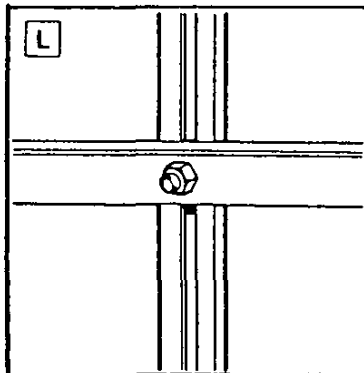
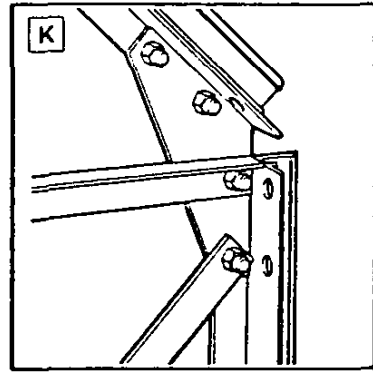
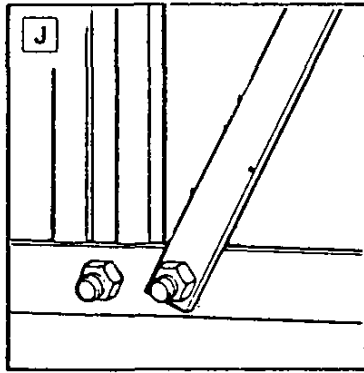
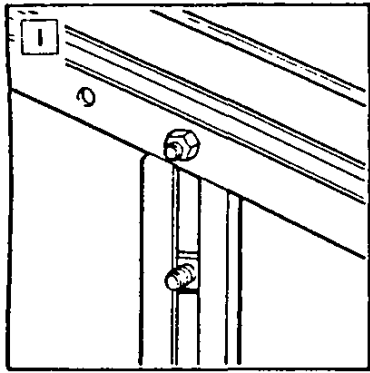
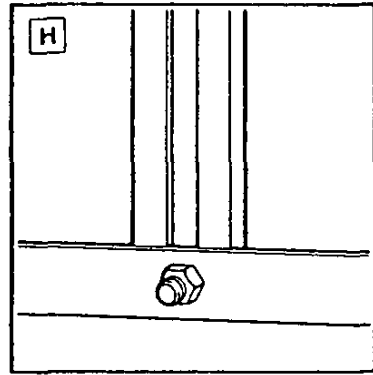
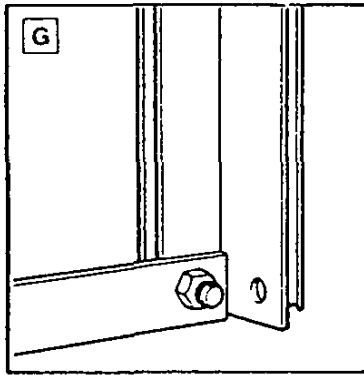
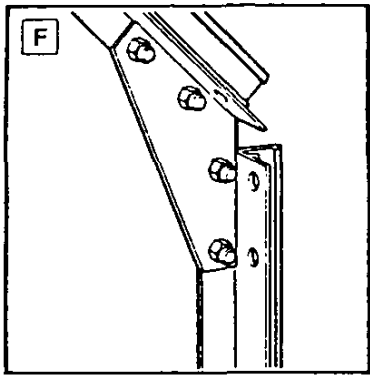
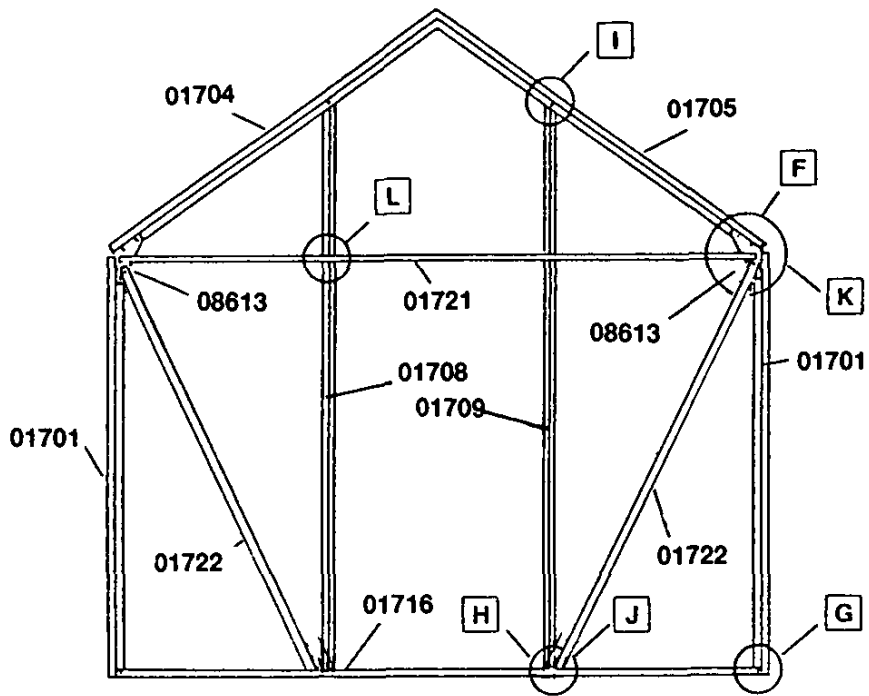
A



	106
A	1920mm
B	3164mm

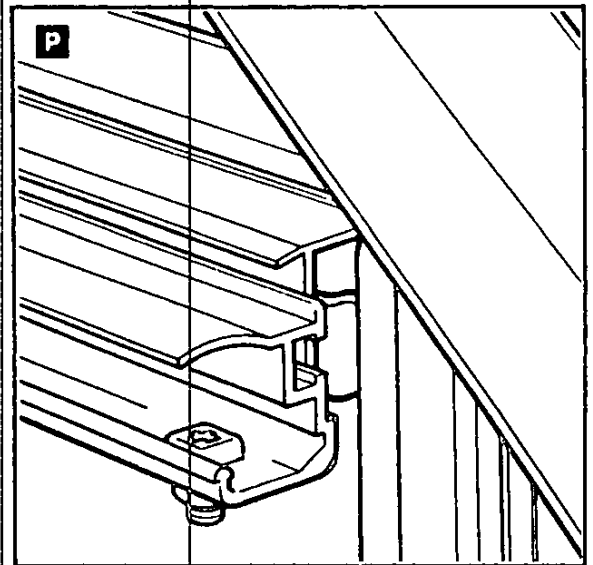
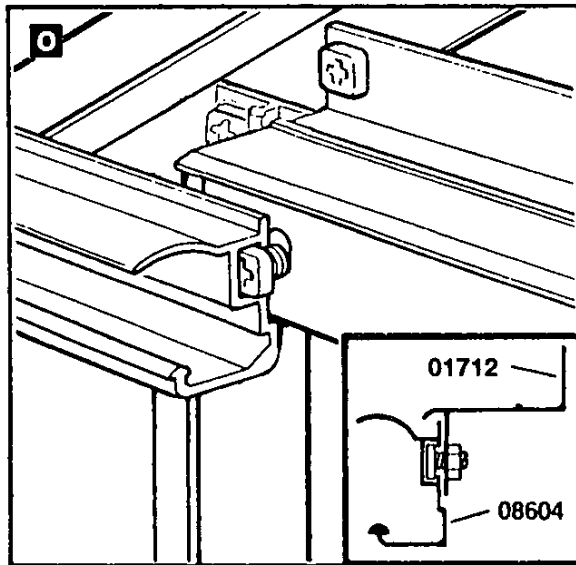
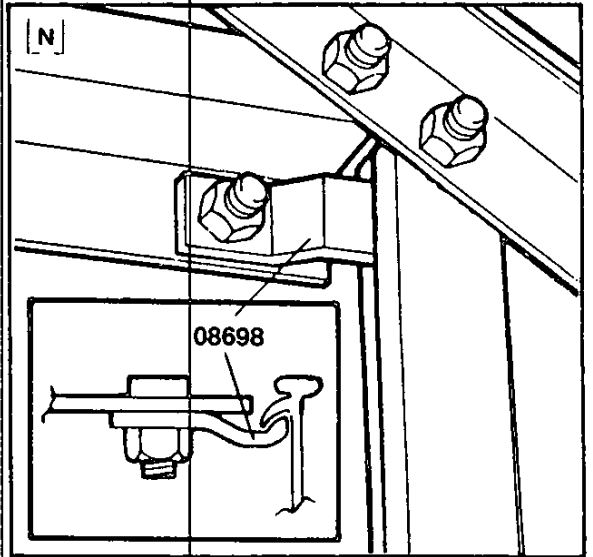
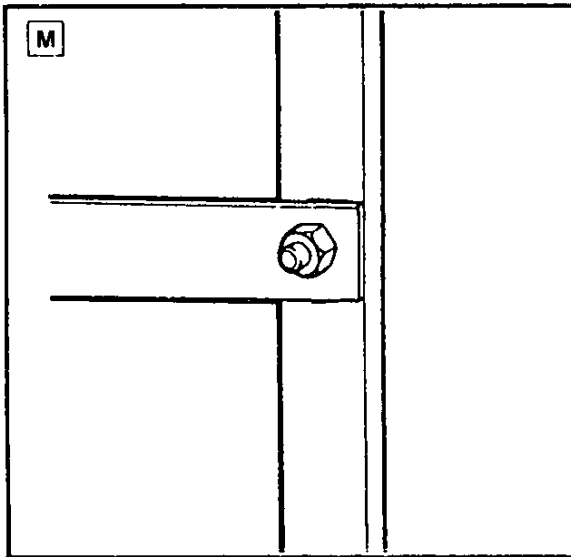
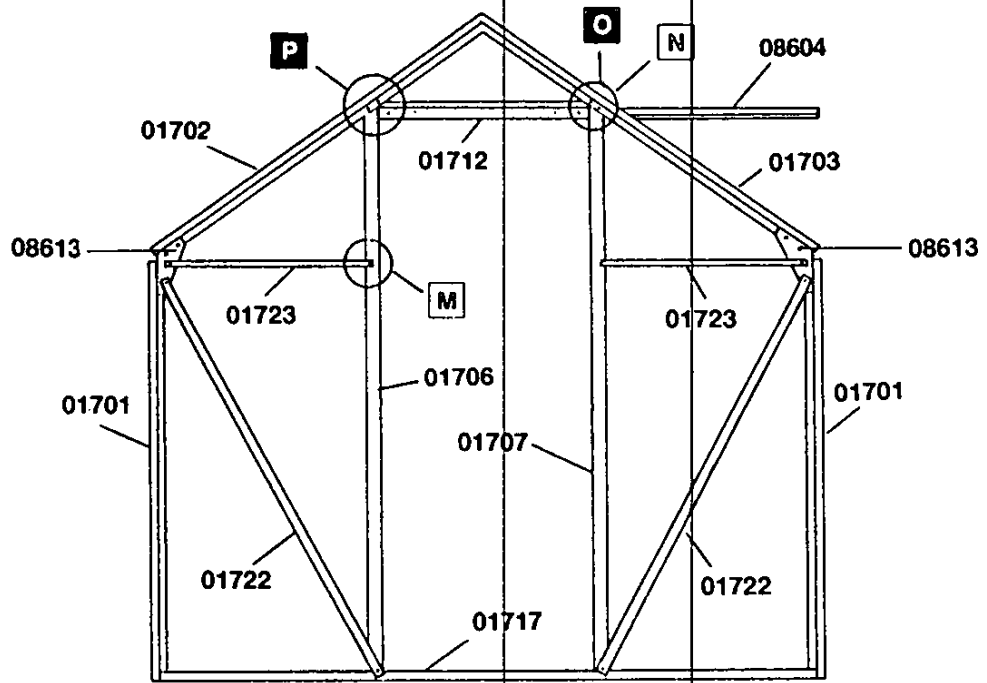
1



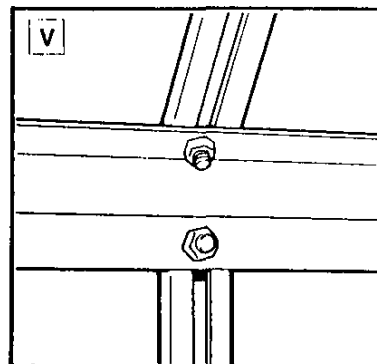
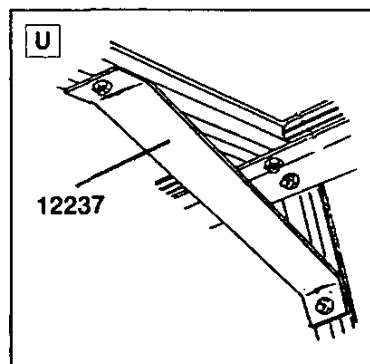
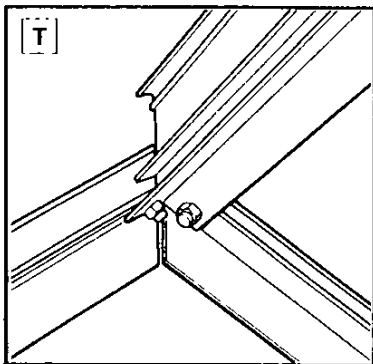
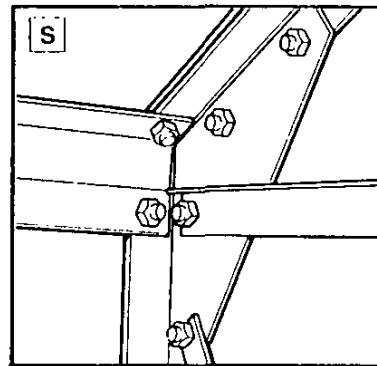
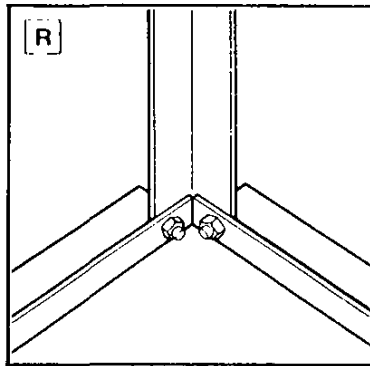
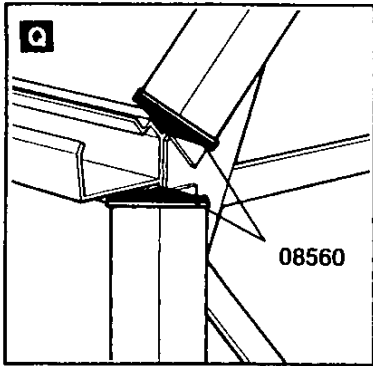
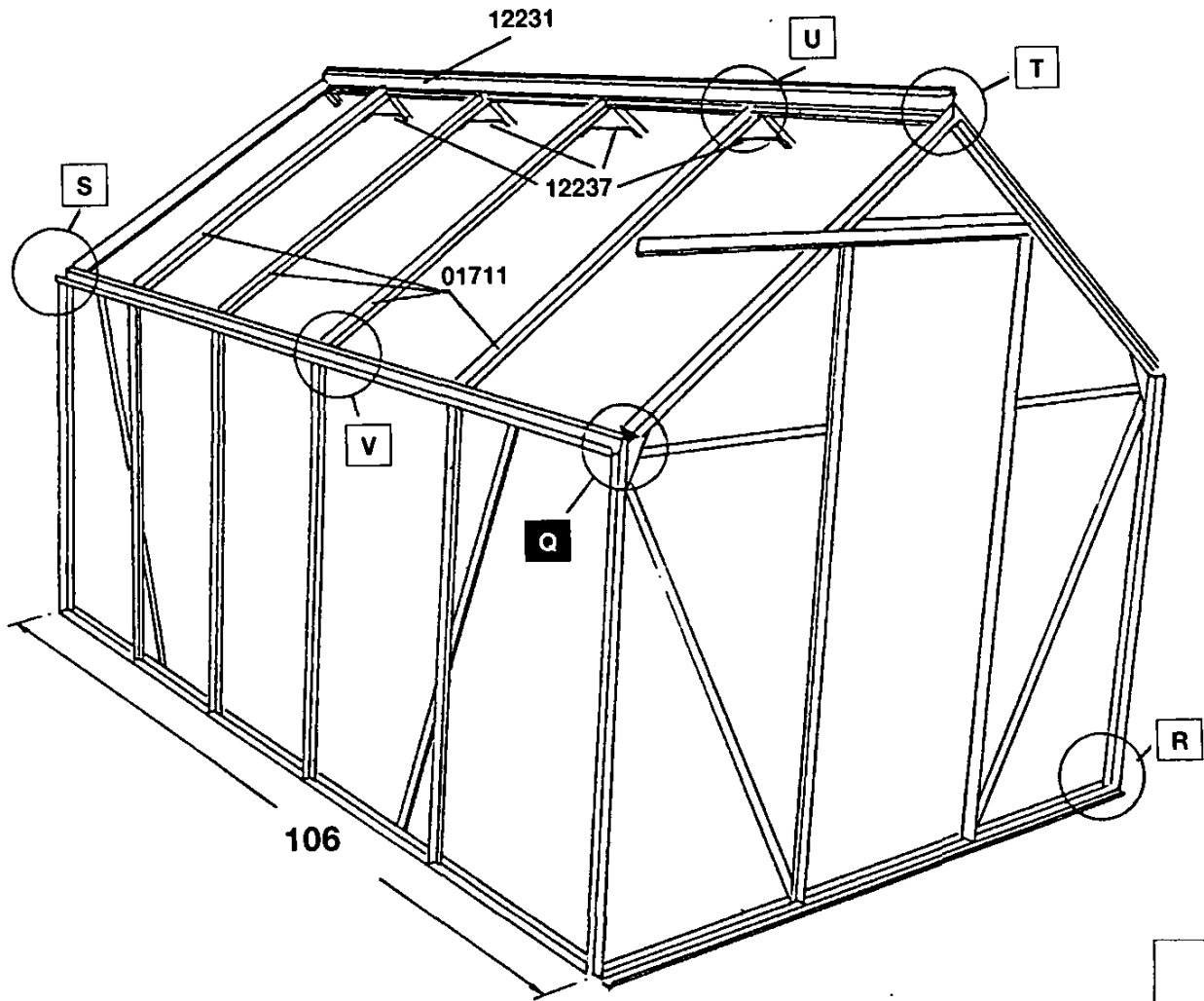


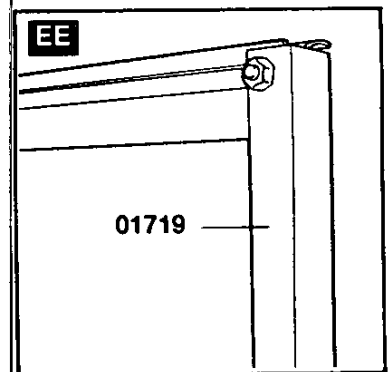
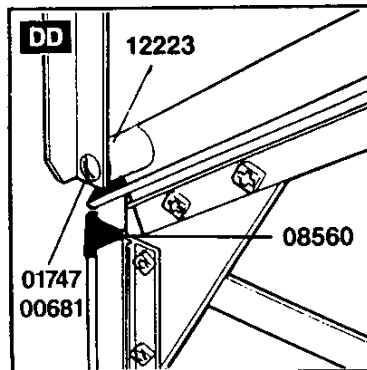
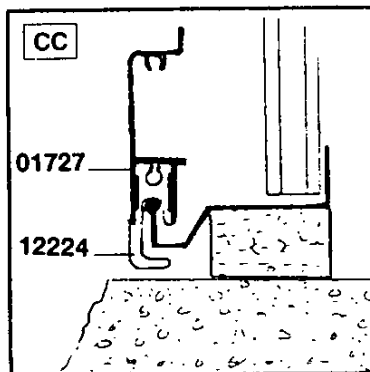
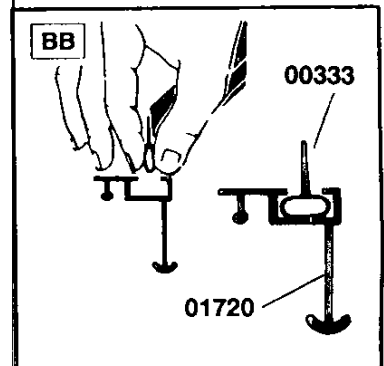
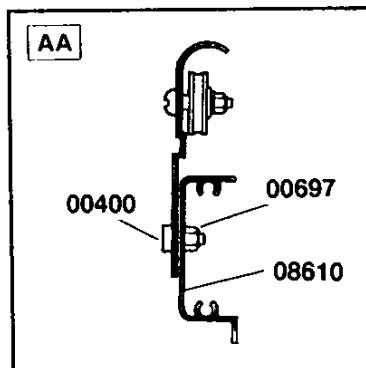
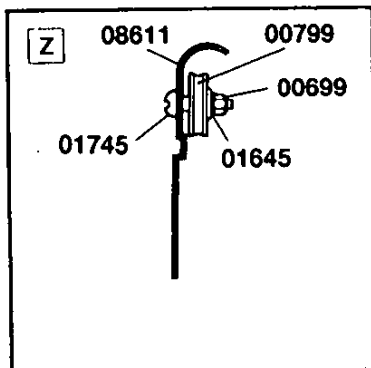
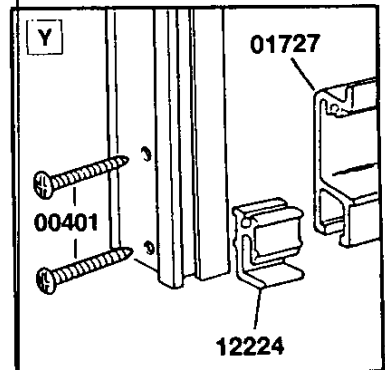
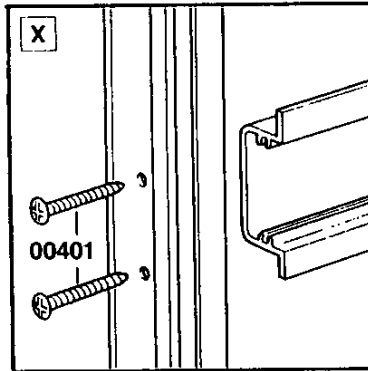
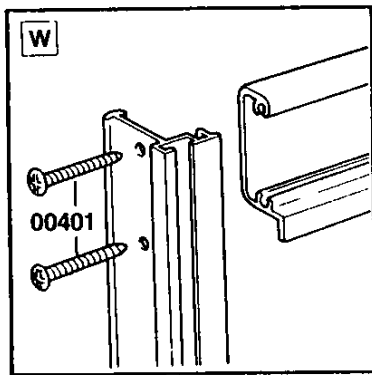
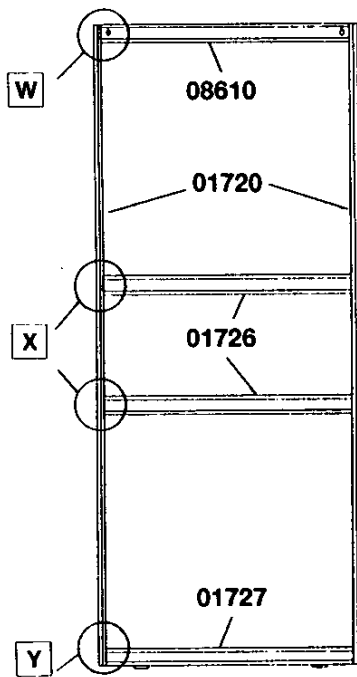
2



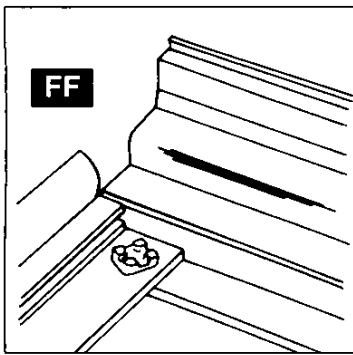


3

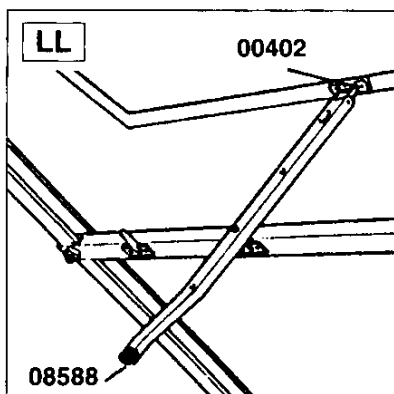
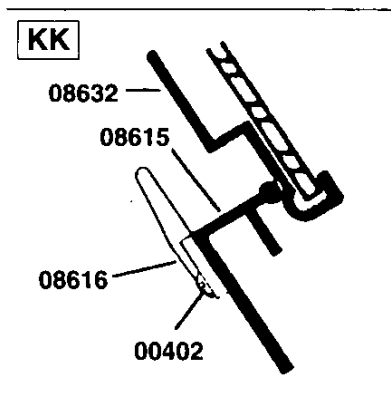
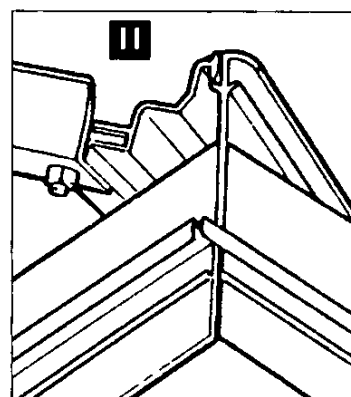
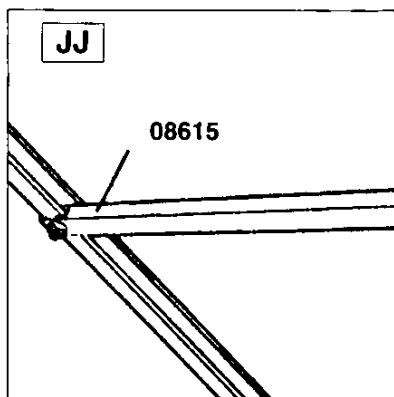
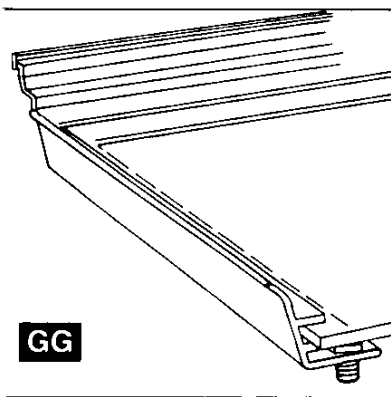
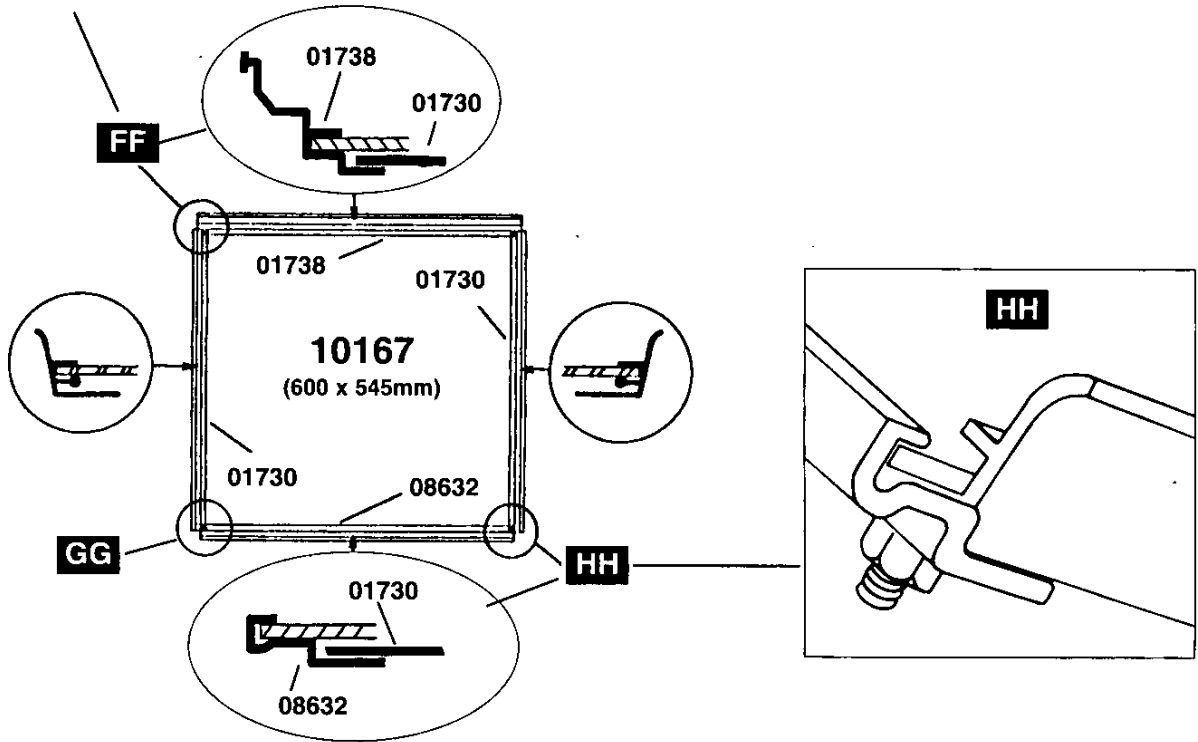




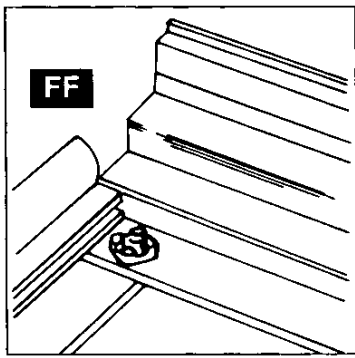
5



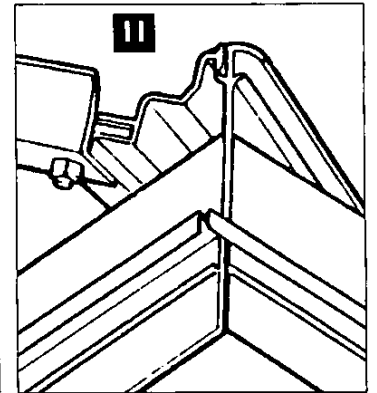
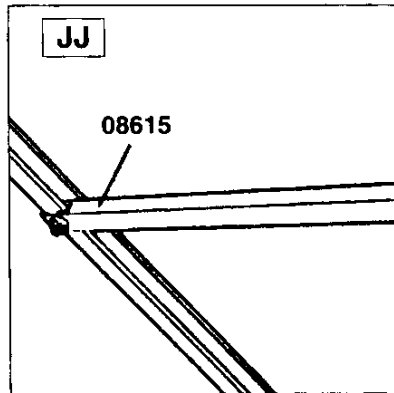
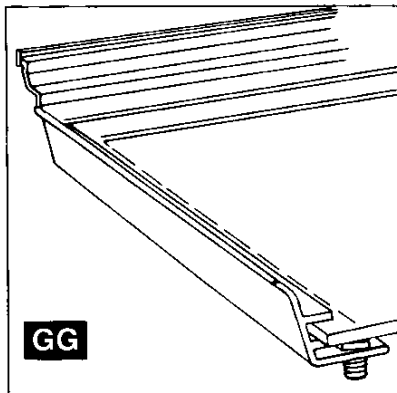
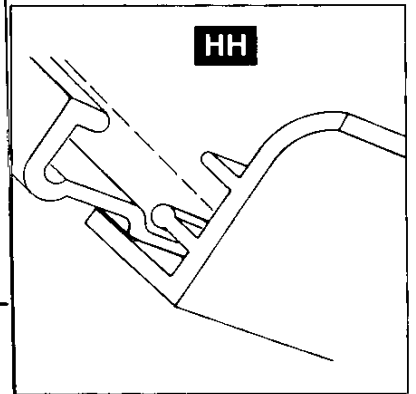
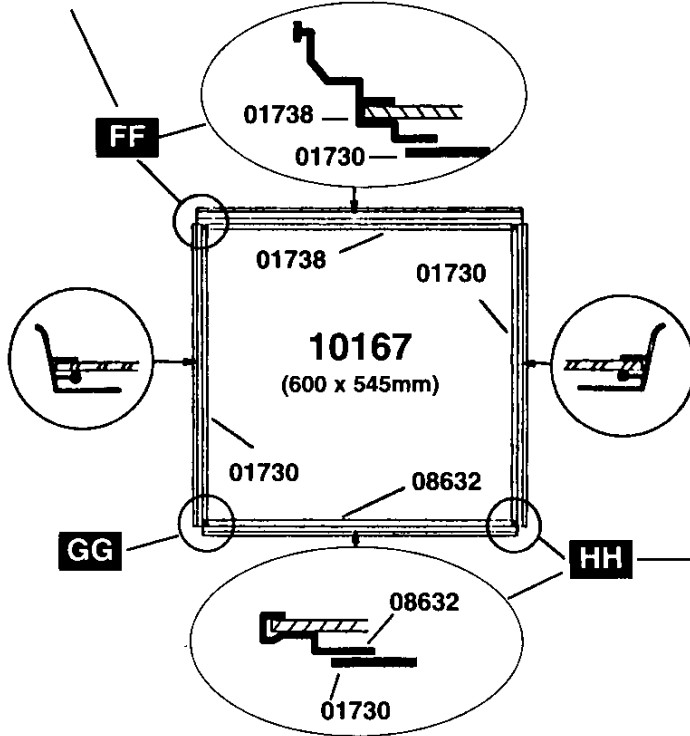
Assembly method for glazing materials up to 3.5 mm thick.
 Montagehinweis für Verglasungsarten bis 3,5 mm Dicke.
 Notice adaptée a des matériaux jusqu' à 3,5 mm d'épaisseur.
 Montage methode voor maximaal 3,5 mm dikke materialen.
 Metodo di montaggio con vetri o plastiche non superiori ai 3,5 mm di spessore.
 Montering af glas eller polykarbonat indtil 3,5 mm tykkelse.
 Montering av glas eller polycarbonat max. 3,5 mm.
 Monteringsmetode benyttes for glass inntil 3,5 mm tykkelse.
 Paksuudeltaan max. 3,5 mm lasitusmateriaalille.



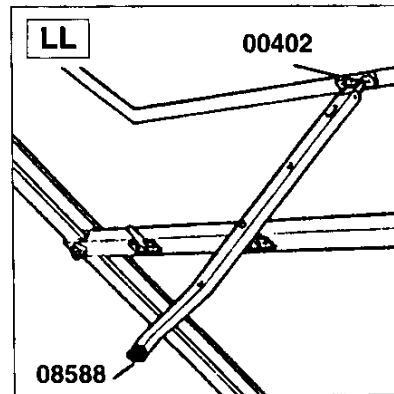
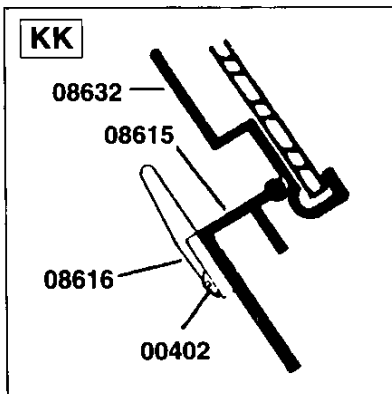
6
A

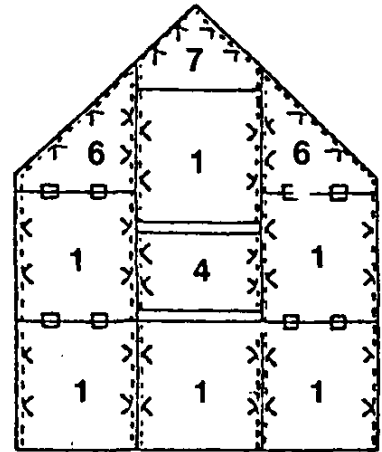
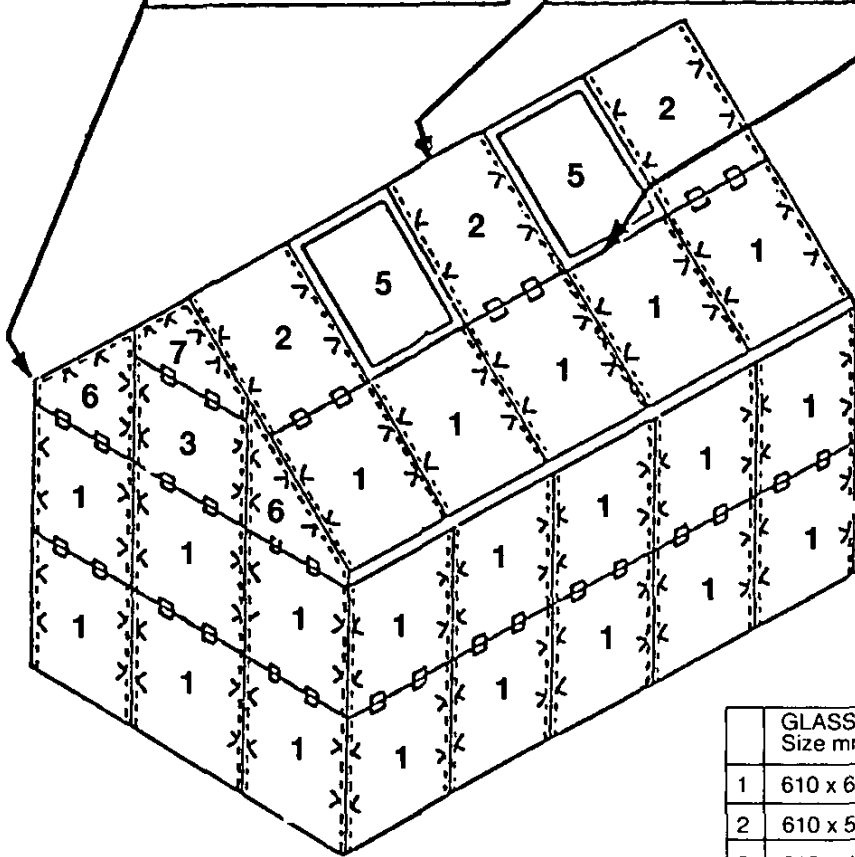
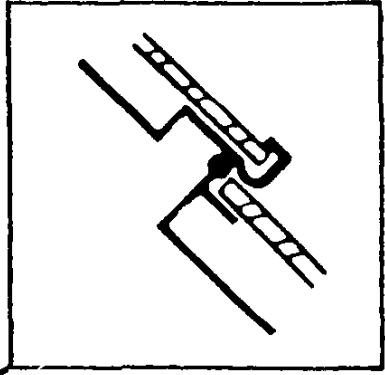
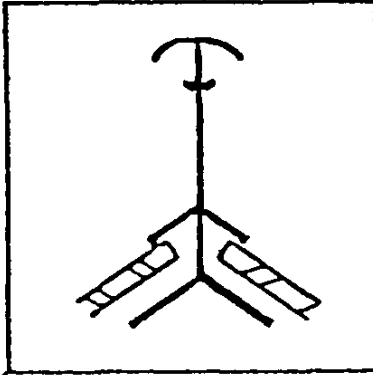
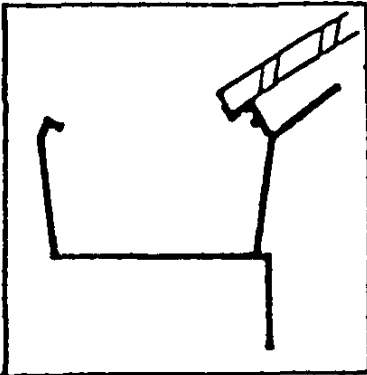


Assembly method for glazing materials from 3.6 mm to 4.5 mm thick.
 Montagehinweis für Verglasungsarten bis 3,6 mm bis 4,5 mm Dicke.
 Notice adapté a des matériaux compris entre 3,6 mm a 4,5 mm d'épaisseur.
 Montage methode voor materialen tussen 3,6 mm en 4,5 mm dikte.
 Metodo di montaggio con vetri o plastiche di spessore da 3,6 mm a 4,5 mm.
 Montering af glas eller polykarbonat fra 3,6 til 4,5 mm tykkelse.
 Montering av glas eller polycarbonat max. 3,6 mm till 4,5 mm.
 Monteringsmetode benyttes for glass fra 3,6 mm - 4,5 mm tykkelse.
 Paksuudeltaan max. 3,6 - 4,6 mm lasitusmateriaalille.



6 B





00458

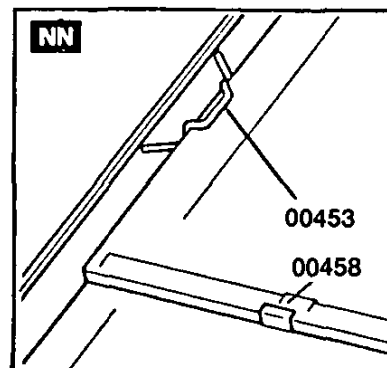
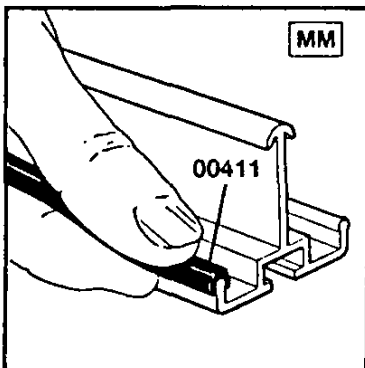


00411



00453

	GLASS Size mm	Code	No.
1	610 x 610	10155	42
2	610 x 544	10151	8
3	610 x 467	10141	1
4	610 x 228.5	10201	1
5	600 x 545	10167	2
6	610 x 464 x 38	10182	4
7	610 x 234 x 20	10181	2



Customer Advisory Service

The utmost care has been taken in the manufacture of this quality product to ensure that it gives complete satisfaction. To the best of our knowledge the contents were complete when despatched.

If for any reason an error has occurred in respect of shortage or damage in transit, please complete **Section B**. If you require specific advice on assembling the product please state the nature of your difficulty in **Section C**. Please complete **Section A** in all cases.

N.B. We cannot be held responsible for delays incurred in dealing with your problems through third parties. Therefore it is to your advantage to return the completed form to:

**Customer Service Department, P.O. Box 947, Aylesford, Kent ME20 7RT, England.
Tel: (01622) 791234 Fax: (01622) 791060**

WE RESERVE THE RIGHT TO DISALLOW CLAIMS FOR SHORTAGES OR DAMAGE UNLESS NOTIFIED TO US ON THIS FORM WITHIN SEVEN DAYS OF DELIVERY OF YOUR PRODUCT.

Our policy is one of continuous improvement and we reserve the right to change the specification without prior notice.

PLEASE USE BLOCK CAPITALS THROUGHOUT

SECTION A (Please complete in all cases)

1. Name
2. Address
3. Telephone Number
4. Date
5. Details of Product Purchased

Type

- 6 Name and address of outlet from whom purchased

7. Date of purchase
8. Quality Control Number

**SECTION B
CLAIMS FOR SHORTAGE, DAMAGE etc.**

Part Description	Shortage (State Quantity)	Damaged (State Quantity)	Other (Please detail)

SECTION C ADVISORY SERVICE

Please detail nature of advice required