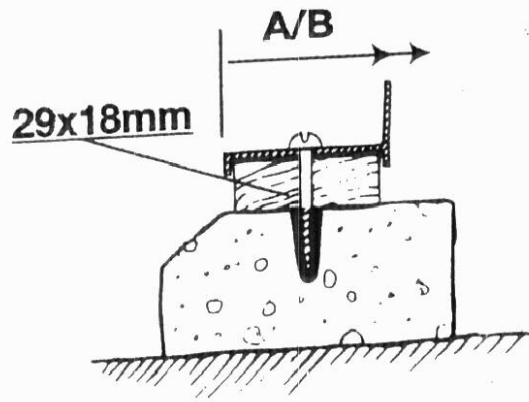
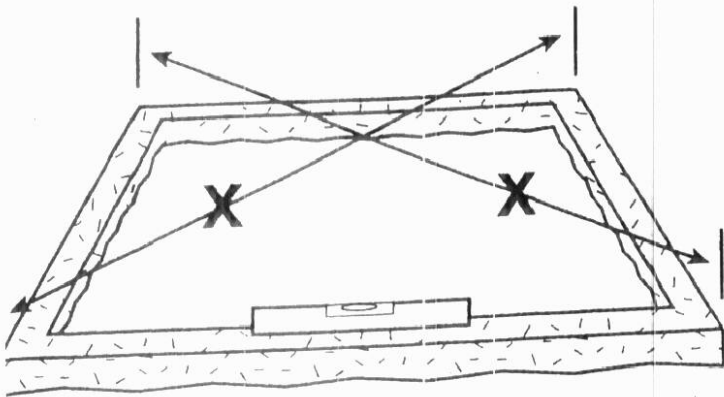
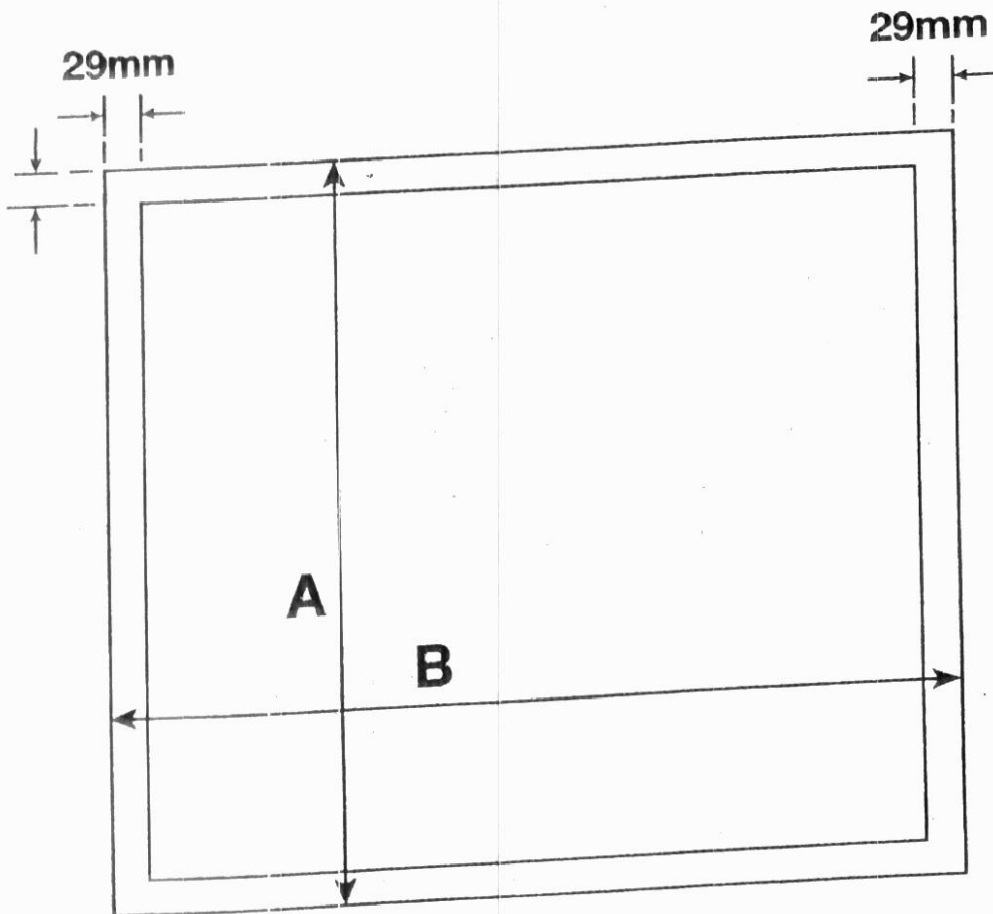


A**X = X**

| | 88 | 108 | 128 | 148 |
|---|--------|--------|--------|--------|
| A | 2560mm | 2560mm | 2560mm | 2560mm |
| B | 2560mm | 3182mm | 3804mm | 4426mm |