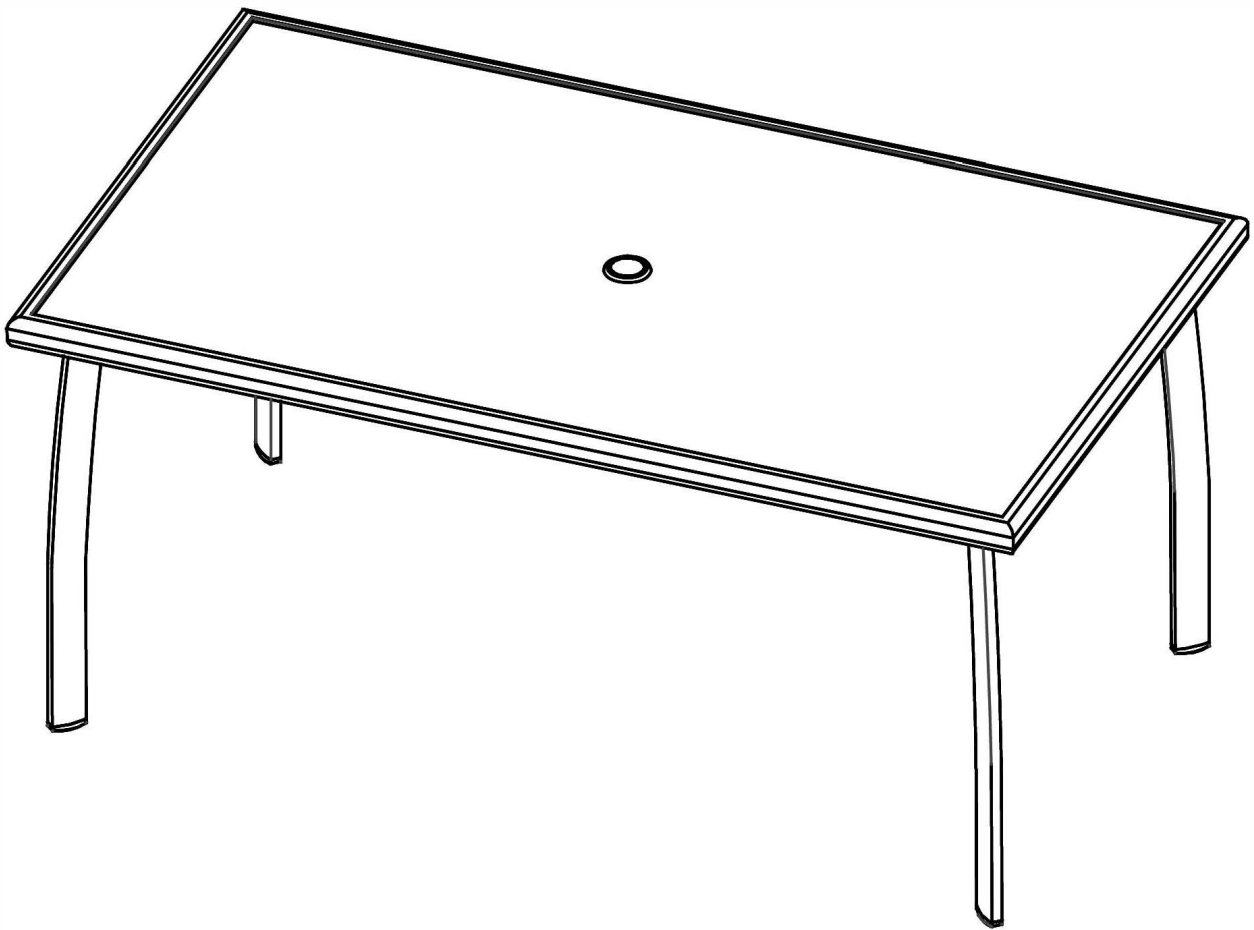


Product size:
L160*W94*H74cm



The intended use of this product is for domestic use only.

Important, please retain for future reference.

Read carefully.



Sorrento 160 x 94cm Table Assembly Instructions

Before you start



Warnings

IMPORTANT, RETAIN FOR FUTURE REFERENCE READ CAREFULLY

See enclosed instructions for assembly, safety and care information.

Failure to follow the warnings could result in serious injury.

Handle heavy parts with care.

Ensure that this product is fully assembled as illustrated before use.

This product should only be used on firm, level ground.

The product contains small parts which could pose a risk to young children. Keep small parts out of reach of children.

Do not stand or climb onto this product.

This product is intended for **domestic use** only.

Ensure the product is always placed on level ground.

Furniture can be dangerous if incorrectly used. No liability will be accepted for damage or injury caused by incorrect use of this product.

This table is not intended to support a parasol separately. A parasol base with suitable weight must be used to support your parasol.



Dos

When you are ready to start, make sure that you have the right tools, plenty of space and a clean, dry area for assembly.

Unwrap all packaging materials and place the components on suitable surface to prevent scratching your product.

Check the pack and make sure you have all of the parts listed.

Check all screws and bolts are tightened and inspect regularly.

We recommend the use of furniture covers to protect your product when not in use.

During bad weather or in winter months, the product should be stored in a cool, dry place. Before storage, ensure that the product is clean and dry.

To clean, wipe down with a sponge and warm soapy water and wipe with a clean, dry cloth.

When cleaning glass panels use a damp cloth or leather with

washing up liquid or soft soap if necessary;



Don'ts

Do not stand or climb onto the product.

Do not use power tools to construct this product.

Do not sit or lean onto the rims of this product.

Do not use this product if parts are missing, damaged or worn.

Never use scourers, abrasives or chemical cleaner.

Do not use this product as a ladder as this could lead to the product becoming unbalanced and overturning.

Do not place very hot or very cold items directly on the glass surfaces unless adequately thick table-mats are used to prevent such items from coming into contact with the glass.

Do not use the glass as a chopping surface.

Do not strike glass with hard or pointed items.

Do not use washing powders or any other substances containing abrasives since these substances scratch glass.

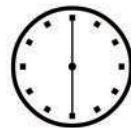
Do not use this product if the glass is chipped or broken.

Never drag furniture when moving it, always lift it.

Number of people required for assembly

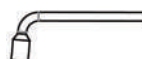
Two people.

Time to assemble



30 minutes




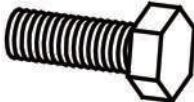

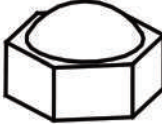
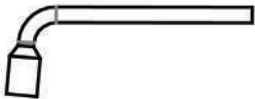
Tools required

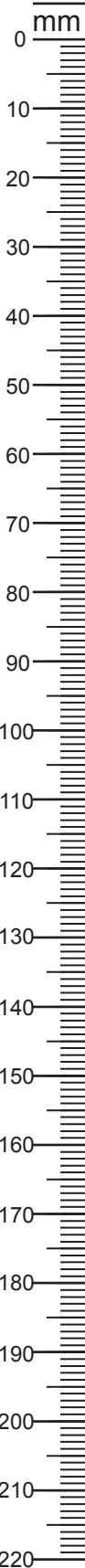


Sorrento 160 x 94cm Table

Assembly Instructions

Components, fixtures & fittings (not actual size)

Parts List					
Part No.	Diagram	Qty	Part No.	Diagram	Qty
A		1 PC	B		4 PCS
C		1 PC	D	 M6*25mm	16 PCS
E		16 PCS	F		16 PCS
G		1PC			



Sorrento 160 x 94cm Table

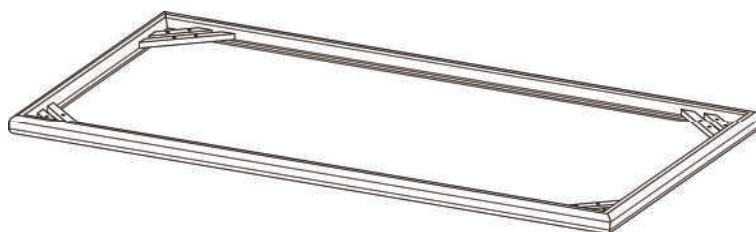
Assembly Instructions

Step by step assembly instructions

Step One

Place the Glass Top (C) at a safe, flat surface, don't let it hinder the assembly of other components.

With the help of another person, place Table Top Frame (A) upside down on a flat, non-abrasive surface to avoid scratching the table surface or rim.

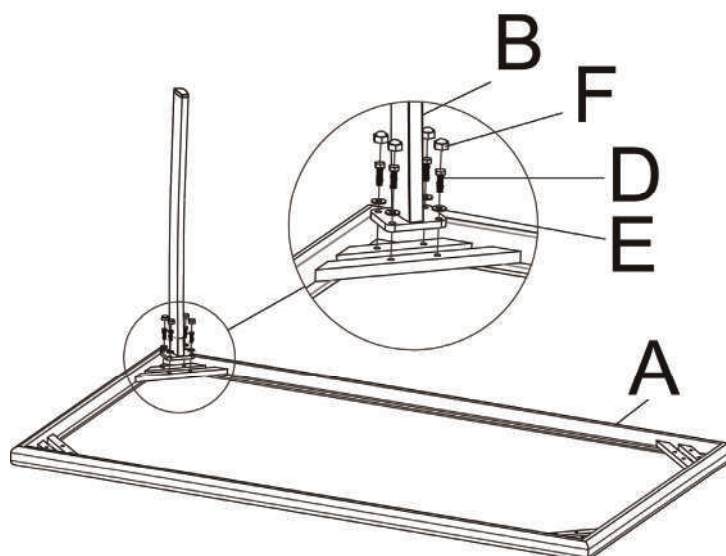


Step Two

Locate the assembly position on the bottom side of the Table Top Frame(A).

Attach the Table Legs (B) onto the assembly position, aligning holes in each part.

Loosely attach the Table Legs to the Table Top using Flat Washers (E) and Bolts (D).



Sorrento 160 x 94cm Table

Assembly Instructions

Step Three

Repeat above steps to finish assembling four legs using Flat Washers (E) and Bolts (D).

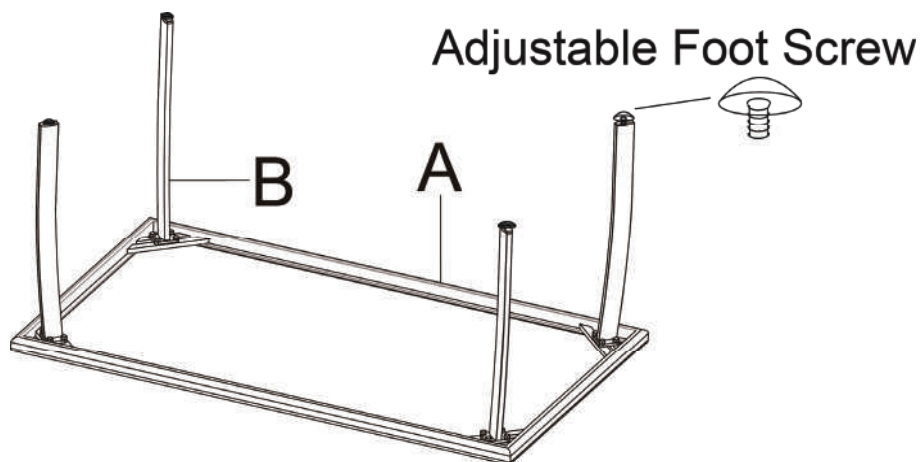
Tighten only enough to hold legs in place. Do not tighten completely at this time. Some adjustments may be necessary to ensure the table legs are aligned properly.

Only tighten the bolts when all bolts and washers are in place and turn freely. Once you are satisfied with the alignment of the components, carefully tighten all bolts using Socket Wrench (G). Do not over-tighten.

Cover each bolt with Bolt End Cap (F).

There are adjustable feet screws at the bottom of the legs.

Make sure there is no wobbling by adjusting the feet screws when the table is placed on the flat ground.



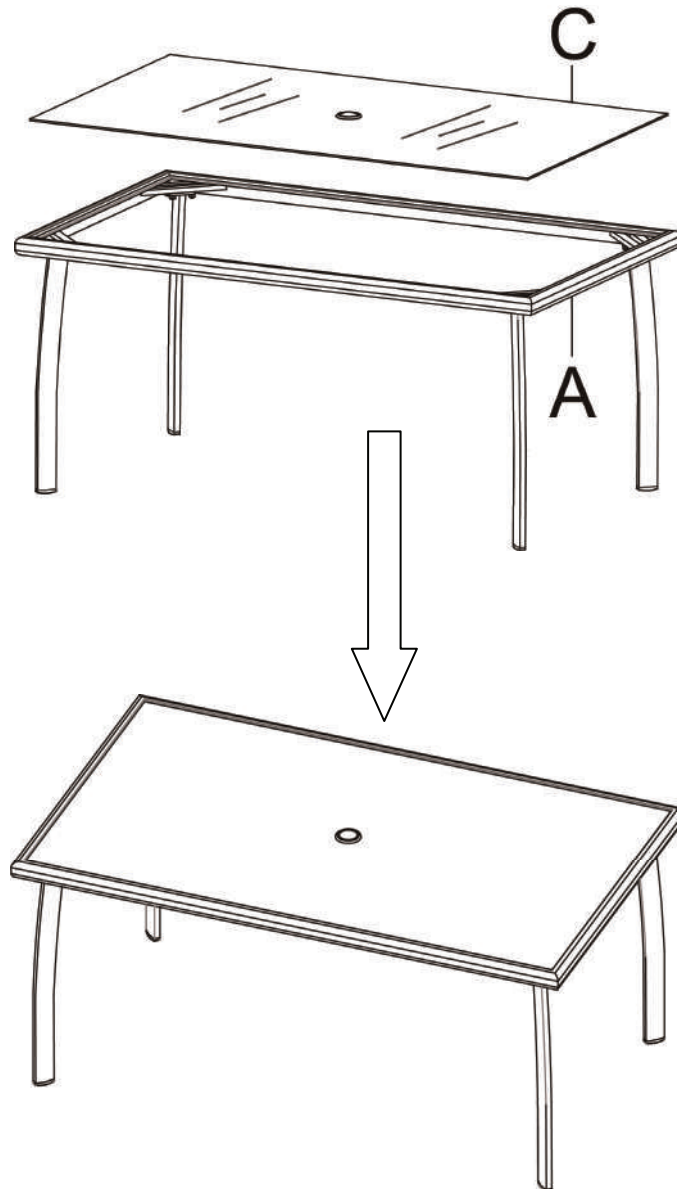
Sorrento 160 x 94cm Table

Assembly Instructions

Step Four

With the help of another person, carefully turn over the table and place it in the upright position. Carefully place the Glass Top (C) onto the Table Top Frame (A), make sure they match each other.

Your table is now ready for use.



Note: This table is not designed to hold the parasol separately.
Parasol base with suitable weight should always be used.