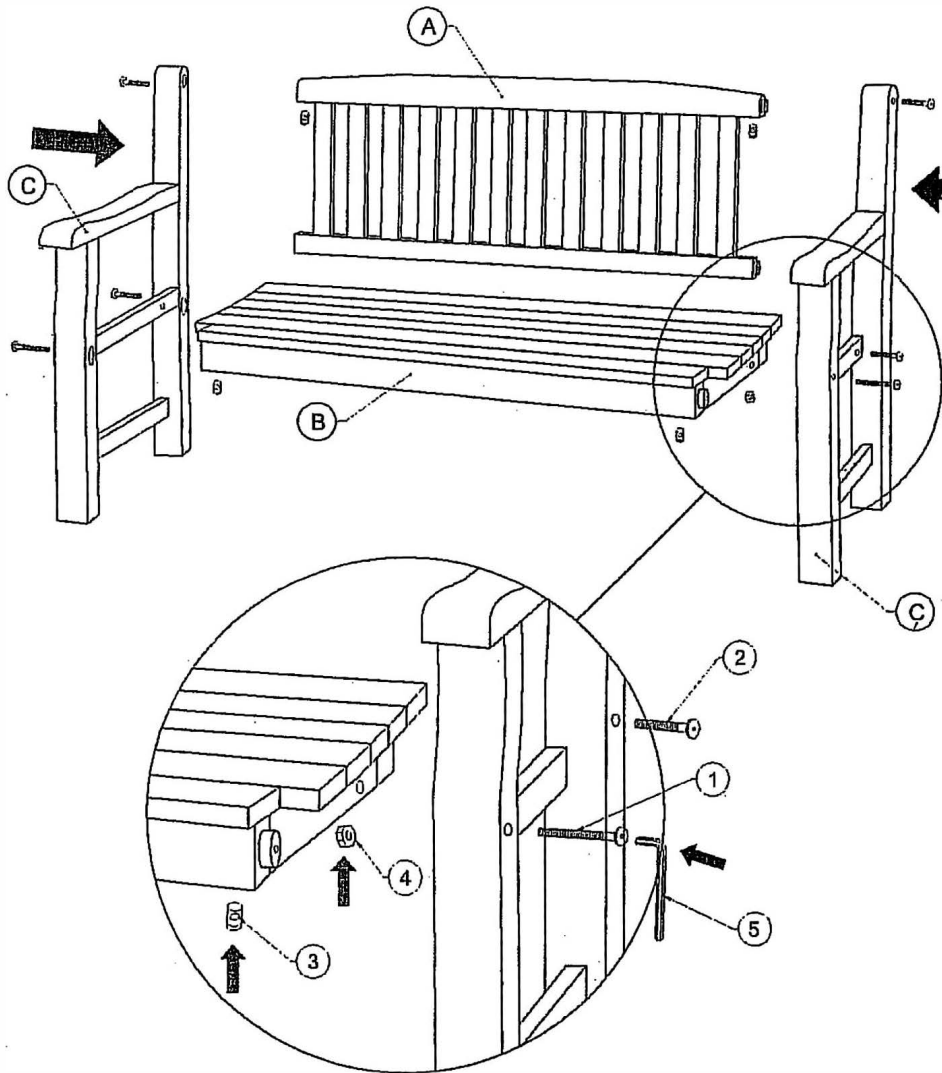


ASSEMBLY INSTRUCTIONS

PORTO TURNBURY GREEN 2 SEATER BENCH

STEP 1



COMPONENT PART	
A	BACK REST
B	SEAT
C	SIDE ARM

HARDWARE			
1	JCBC M6X100mm		4 PCS
2	JCBC M6X55mm		2 PCS
3	BARREL NUT M6X16		4 PCS
4	LOCK NUT		2 PCS
5	ALLEN KEY		1 PC

STEP 2

