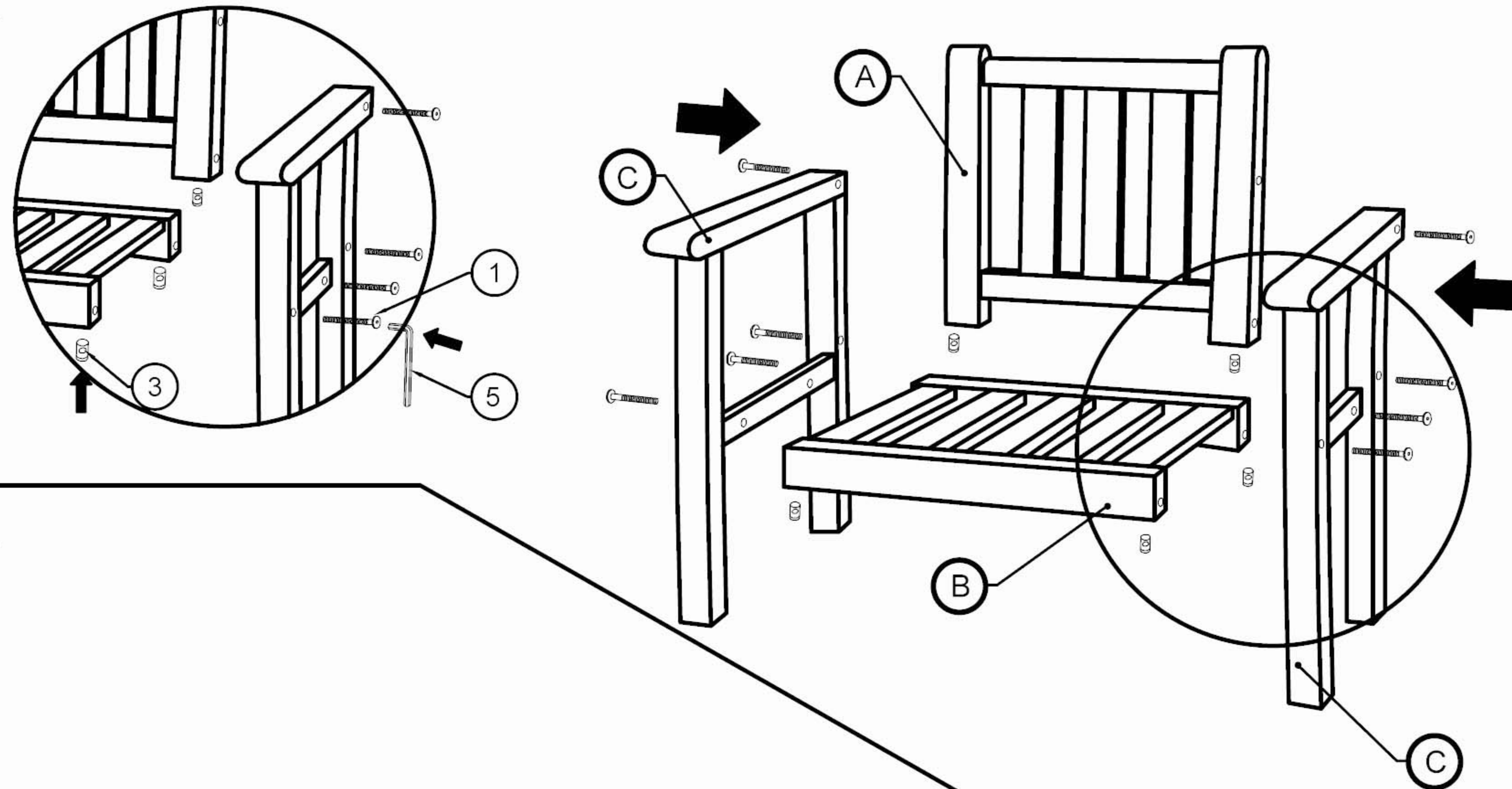


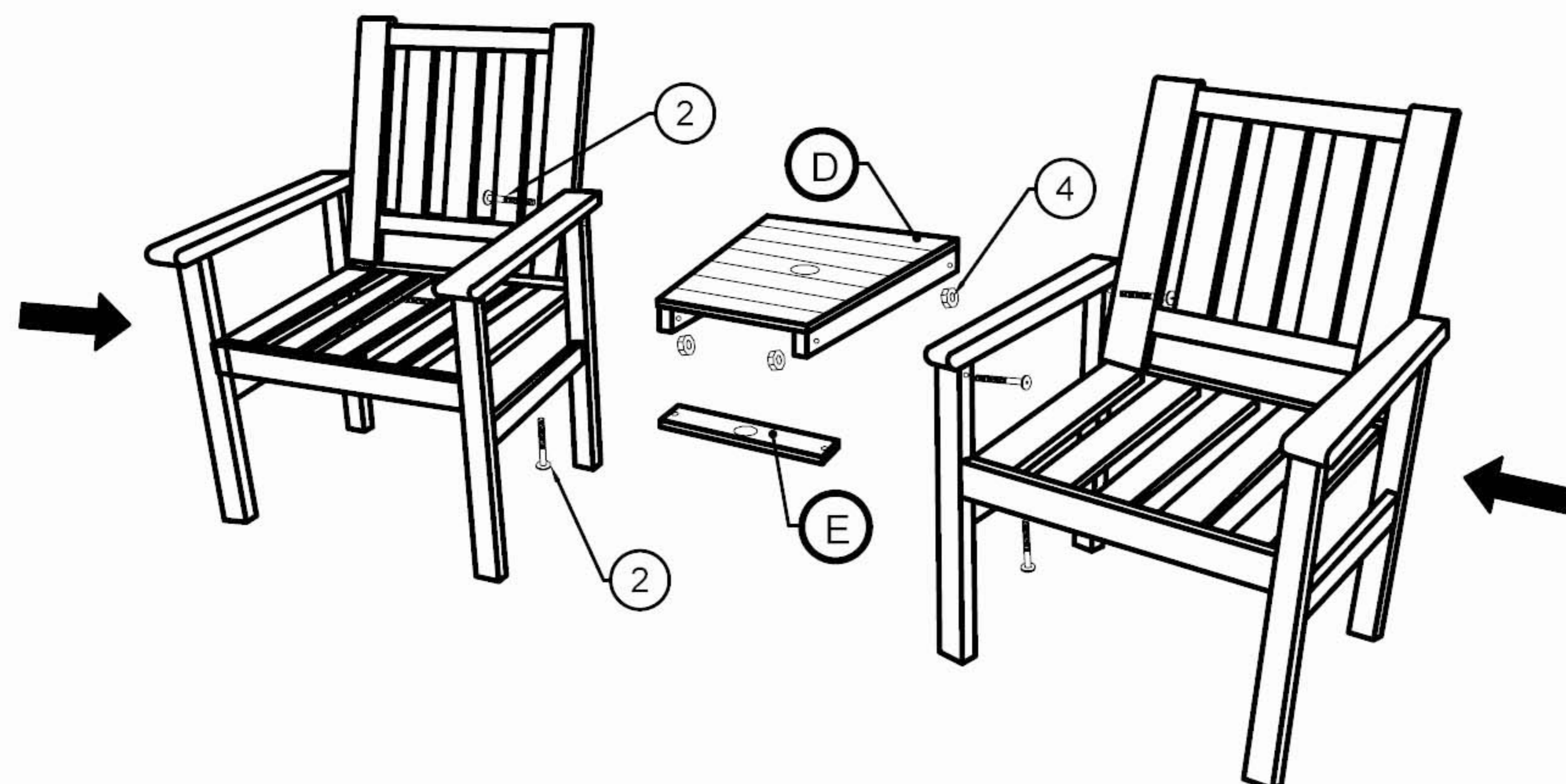
ASSEMBLY INSTRUCTIONS

PORCOMH

STEP 1



STEP 2



STEP 3



HARDWARE			
1	JCBC M6X80mm		8 PCS
2	JCBC M6X55mm		6 PCS
3	BARREL NUT M6X16		8 PCS
4	LOCK NUT		6 PCS
5	ALLEN KEY		1 PC

COMPONENT PART	
A	BACK REST
B	SEAT
C	SIDE ARM
D	SHELF
E	CROSS BAR