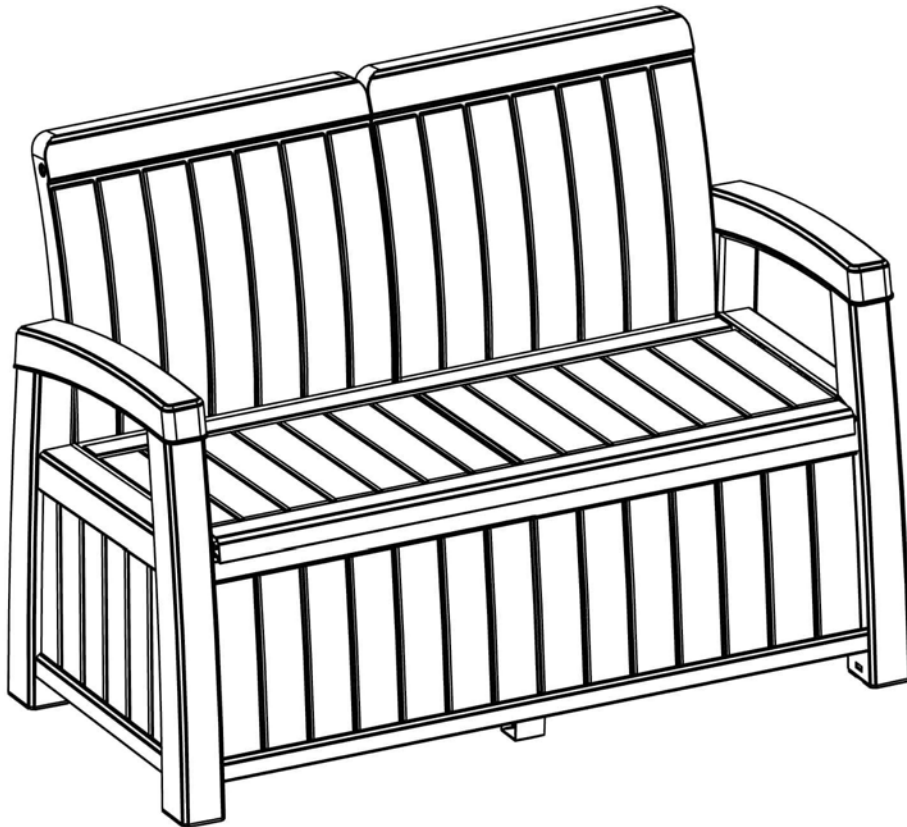


Product size: W124.3\*D65.8\*H89.8 cm



An environment-friendly product made of polypropylene  
which can be recyclable after end of use.

The intended use of this product is for domestic use only.

Important, please retain for future reference.

Read carefully.

# Faro Black Storage Bench

## Assembly Instructions

### Before you start

#### Warnings

##### **IMPORTANT, RETAIN FOR FUTURE REFERENCE READ CAREFULLY**

See enclosed instructions for safety and care information.  
Failure to follow the warnings could result in serious injury.  
Handle heavy parts with care.

This product is intended for **Domestic Use** only.

This product should only be used on firm, level ground.  
Ensure the product is always placed on level ground.

Furniture can be dangerous if used incorrectly or maintained poorly. Keep your furniture in a good condition at all times. No liability will be accepted for damage or injury caused by failure to follow the care and maintenance guidelines.

#### Dos

Unwrap all packaging materials and place the components on suitable surface to prevent scratching your product.

We recommend the use of furniture covers to protect your product when not in use.

Cushions should be cleaned following the care instruction on the label.

If the set is stored outside then we recommend that cushions are brought inside for storage and protection.

To clean the product, a pressure washer or jet wash on a wide spray can be used at a minimum distance of 1m from the product. Do not aim this directly at the joints of the furniture. Alternatively it can simply

be wiped down by hand with a damp sponge and a weak solution of soap and water.

We would recommend lifting the products to move the items instead of dragging them which may cause some damage to either the product or the area in which you choose to use them.

#### Don'ts

Never drag furniture when moving it, always lift it.  
Never tilt the product use.  
Do not stand or climb onto the product.  
Do not sit or lean onto the arms/rims of this product.  
Never use scourers, abrasives or chemical cleaner.

#### Number of people required for assembly

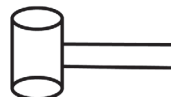
Two people



#### Time to assemble

30 Minutes

#### Tools required

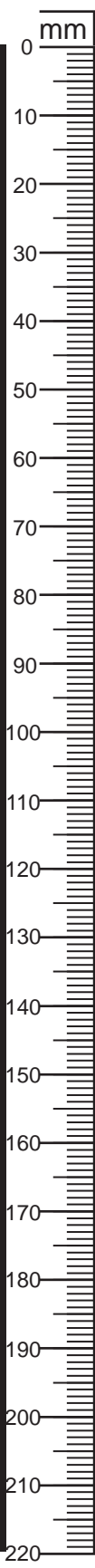


(Rubber Hammer may be required, not provided)

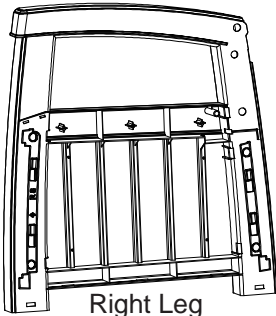
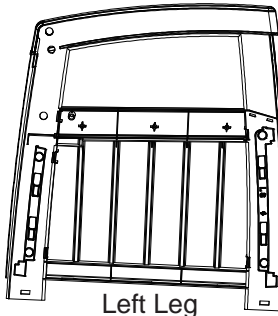
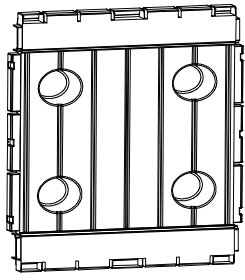

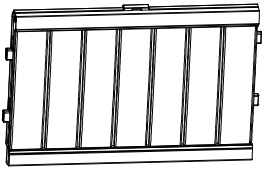
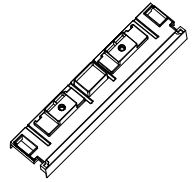
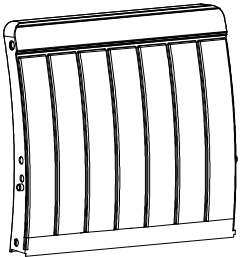
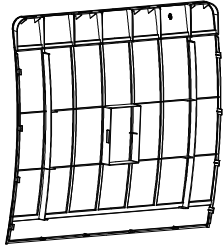
# Faro Black Storage Bench

## Assembly Instructions

Components, fixtures & fittings (not actual size)



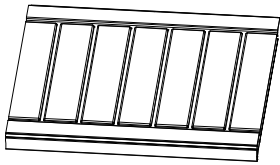
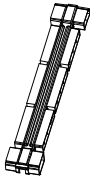
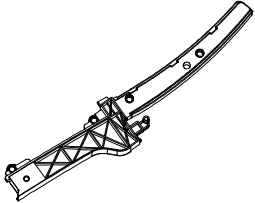
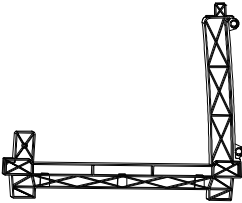
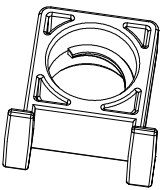



### Parts List

Part No.	Diagram	Qty.	Part No.	Diagram	Qty.
RS	 Right Leg	1 PC	LS	 Left Leg	1 PC
D	 Box Bottom Panel	2 PCS	R	 Box Rear Panel	2 PCS
F	 Box Front Panel	2 PCS	H	 Connecting Bar for Backrest	2 PCS
BC	 Front Panel for Backrest	2 PCS	B	 Rear Panel for Backrest	2 PCS

[www.royalcraft.co.uk](http://www.royalcraft.co.uk)

# Faro Black Storage Bench

## Assembly Instructions

I	 Seat Panel	2 PCS	ML3	 Connecting Bar for Seat Panel	1 PC
ML2	 Middle Leg Backrest Pole	1 PC	ML1	 Middle Leg	1 PC
M	 Nut	1 PC	N	 Bolt	23 PCS
O	 Cap	2 PCS	P	 Spanner	1 PC

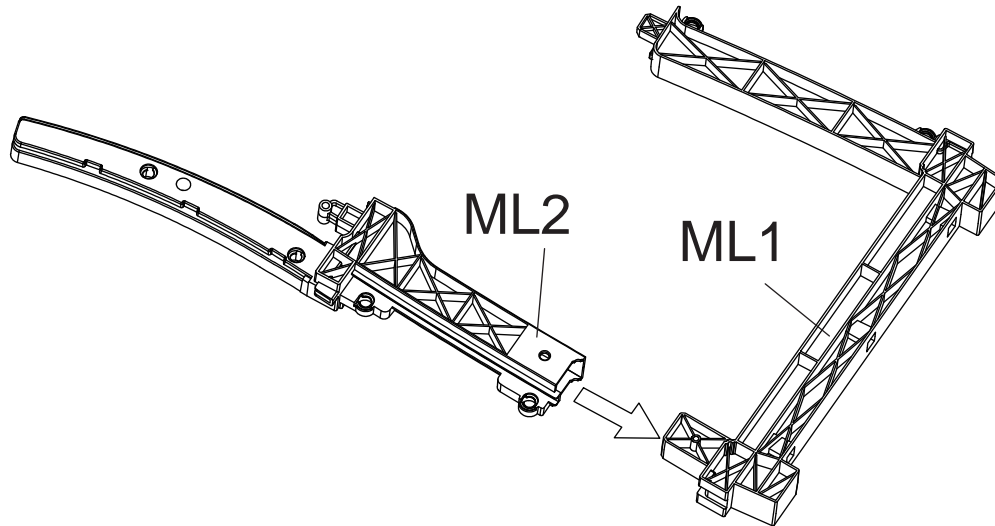
**Step by step assembly instructions**

# Faro Black Storage Bench

## Assembly Instructions

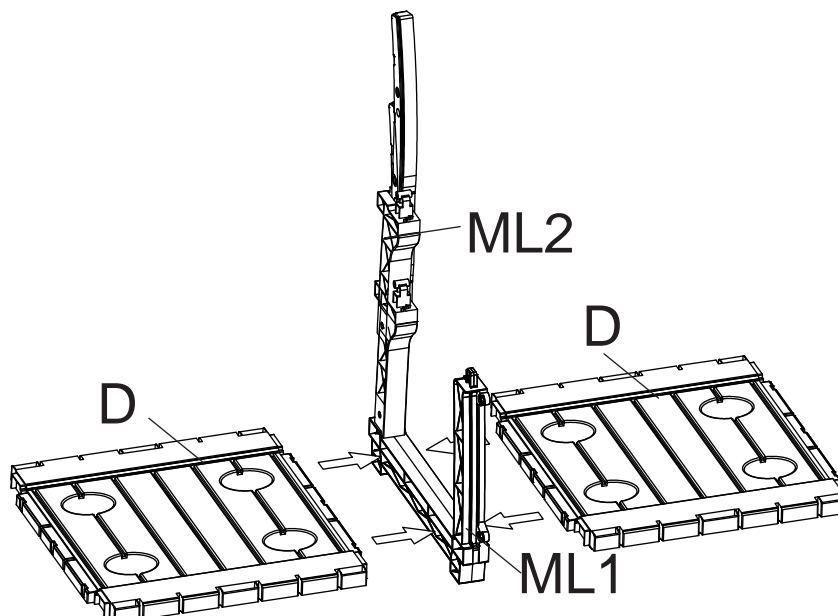
### Step One

Attach Part (ML2) to Part (ML1).



### Step Two

Attach the Box Bottom Panels (D) to the Part (ML2) & (ML1).

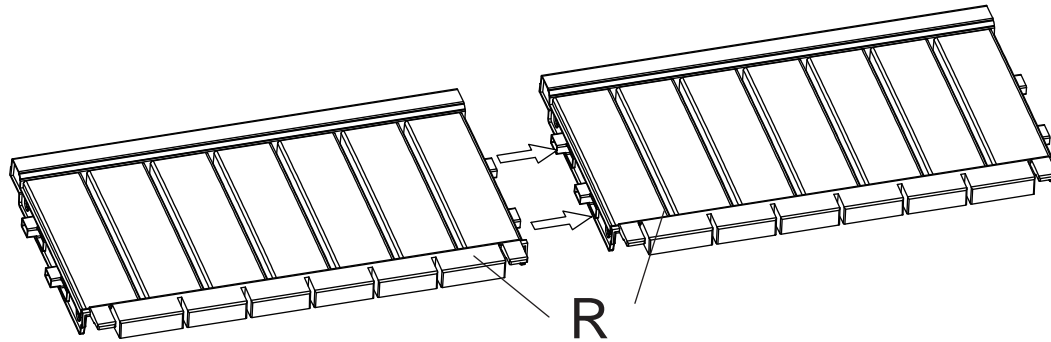


# Faro Black Storage Bench

## Assembly Instructions

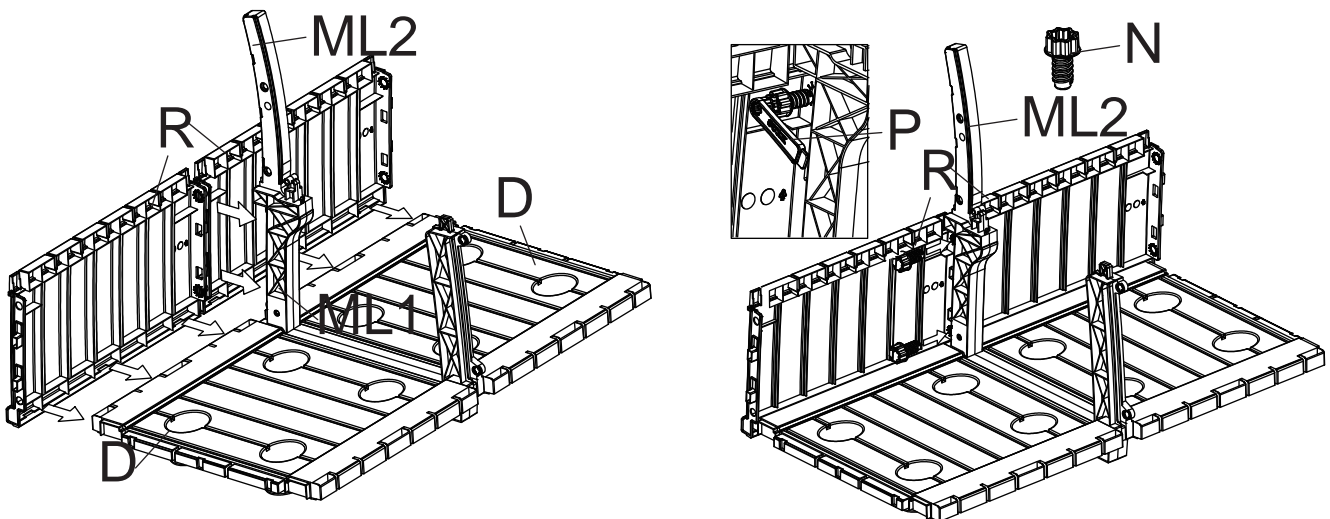
### Step Three

Attach Box Rear Panel (R) to each other.



### Step Four

Attach Box Rear Panel (R) to the Part (ML2) and (ML1) using Bolts (N).  
2 Bolts are used in this Step.

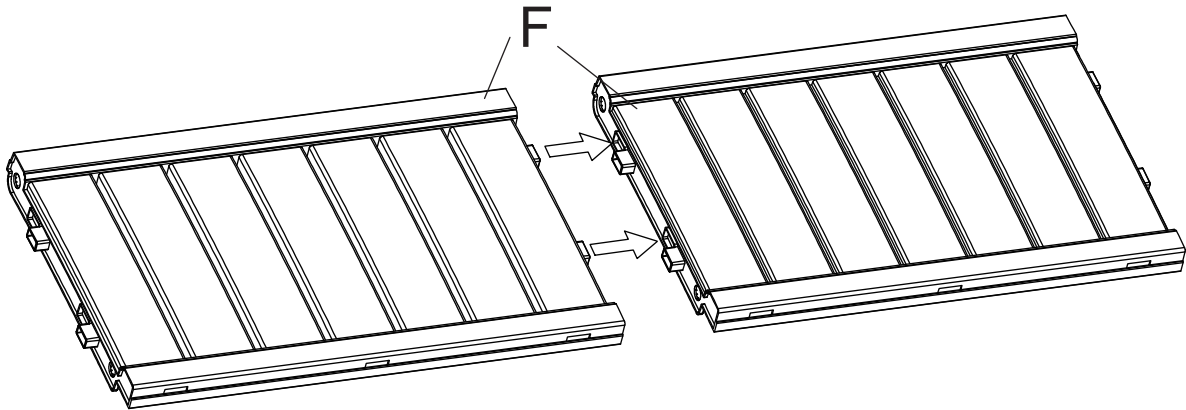


# Faro Black Storage Bench

## Assembly Instructions

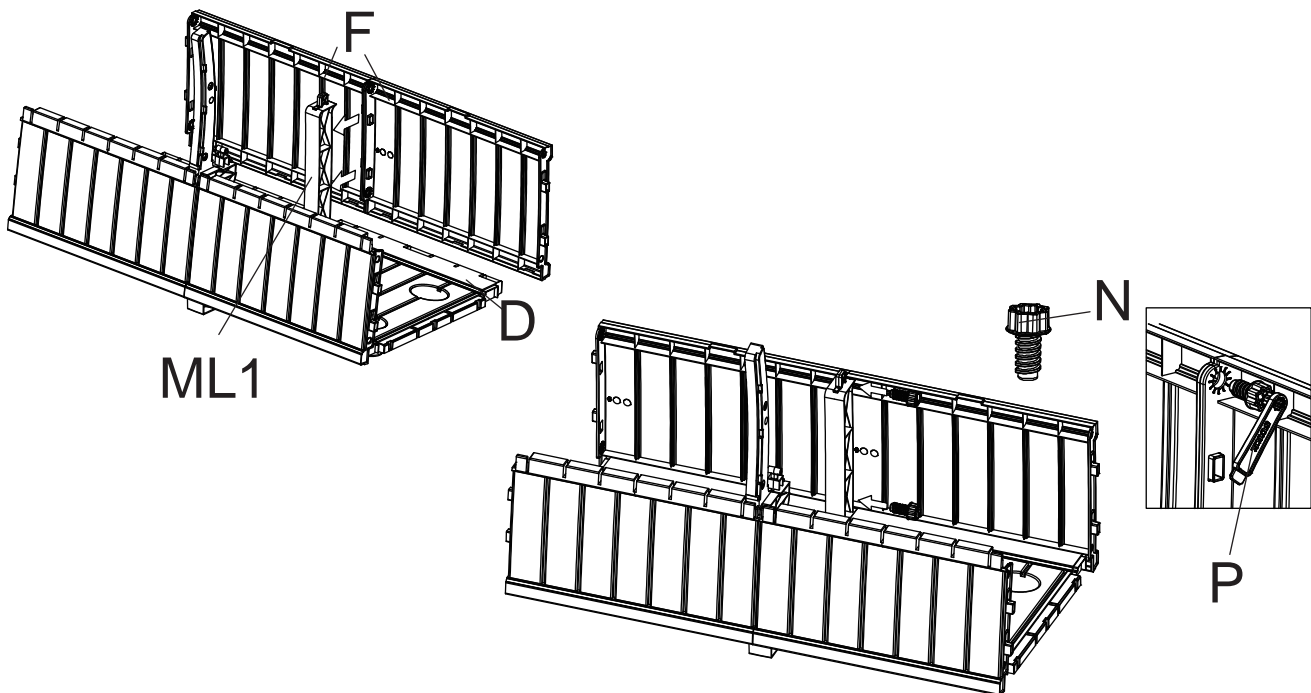
### Step Five

Attach Box Front Panel (F) to each other.



### Step Six

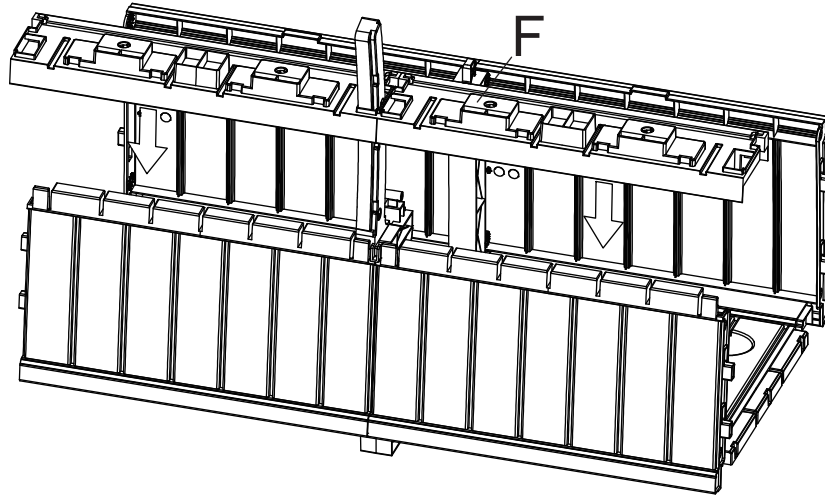
Attach Box Front Panel (F) to the Part (ML1) and (D) using Bolts (N).  
2 Bolts are used in this Step.





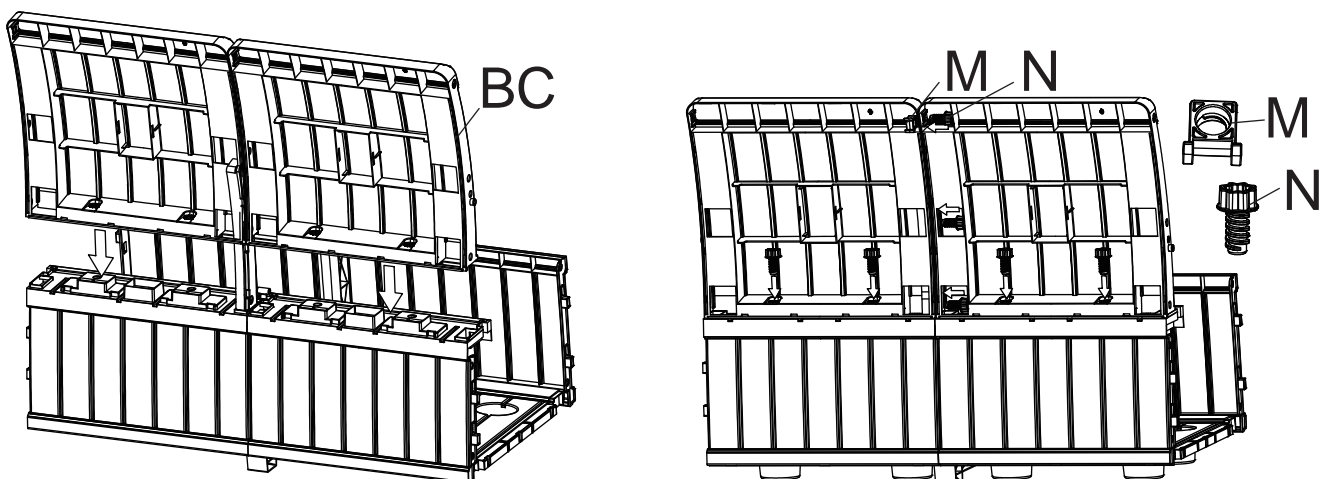
### Step Seven

Attach Connecting Bar for Backrest (H) to the assembled Parts.



### Step Eight

Attach Front Panel for Backrest (BC) to the assembled Parts using Nut (M) and Bolts (N).  
7 Bolts are used in this Step.





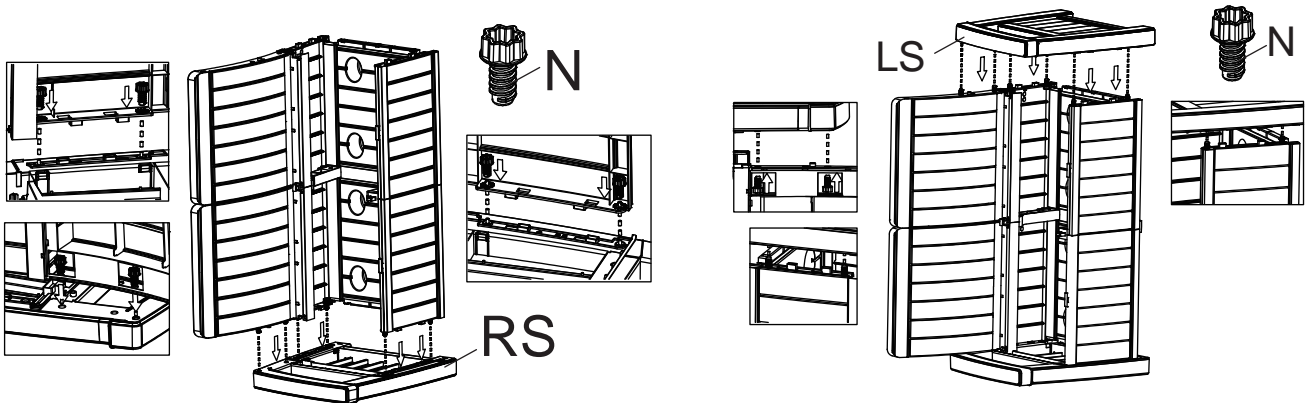
# Faro Black Storage Bench

## Assembly Instructions

### Step Nine

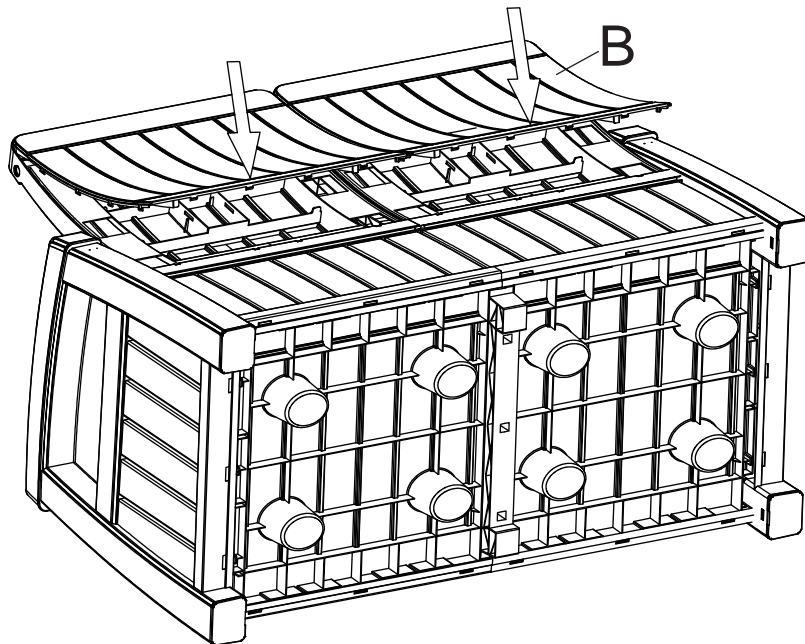
Attach Right Leg (RS) to the assembled Parts using Bolts (N).  
 Attach Left Leg (LS) to the assembled Parts using Bolts (N).

12 Bolts are used in this Step.



### Step Ten

Attach Rear Panel for the Backrest (B) to the assembled Parts.

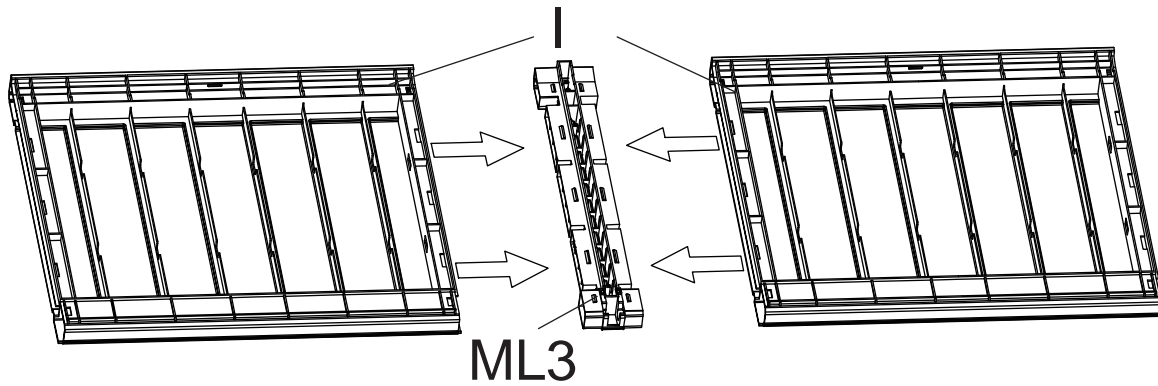


# Faro Black Storage Bench

## Assembly Instructions

### Step Eleven

Attach Seat Panel (I) to Connecting Bar for Seat Panel (ML3).

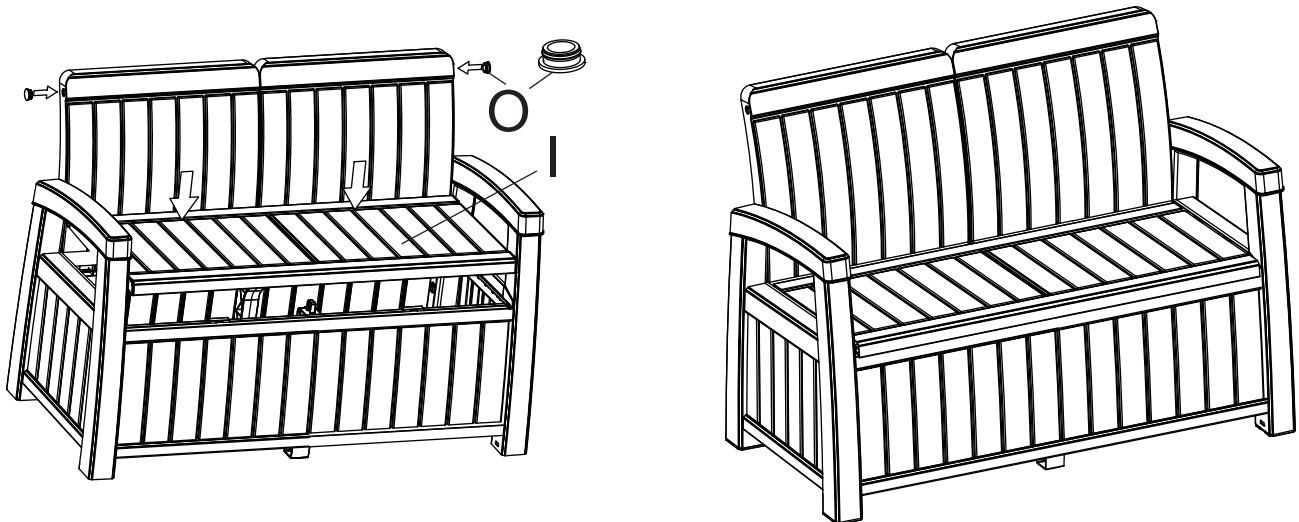


### Step Twelve

Place the Seat Panels (I) onto the assembled parts.

Plug in the Caps (O).

Your Storage Bench is ready for use.



Never tilt the products during use.

Ensure the product is always placed firmly on the ground.

**PLEASE KEEP THESE INSTRUCTIONS FOR FUTURE REFERENCE**