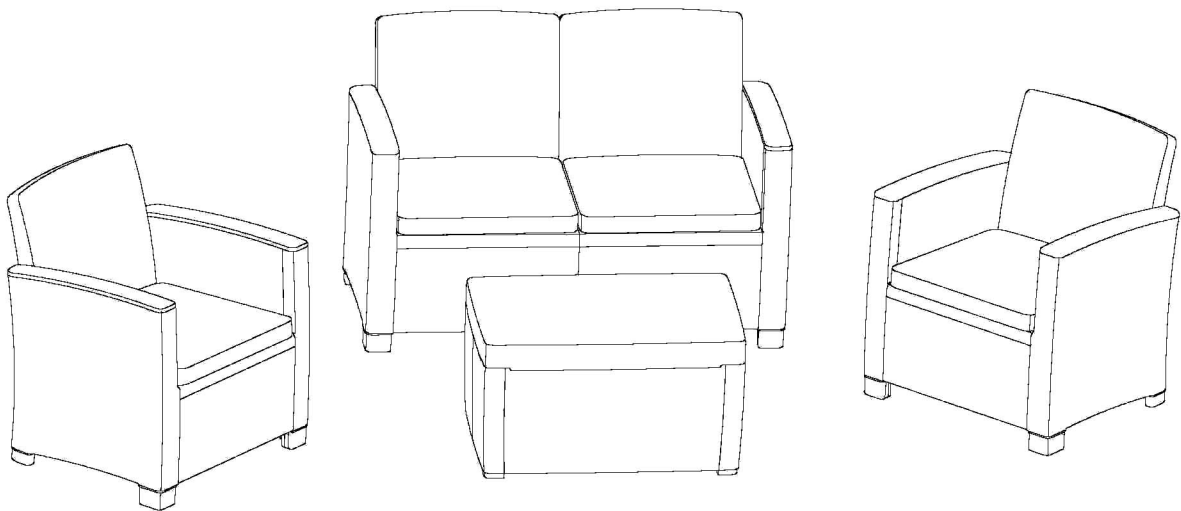


Product size:

Arm Chair: W69*D69.6*H78.2 cm X 2

Two Seater Sofa: W122*D69.6*H78.2 cm X 1

Coffee Table: L76.5*W52*H42.2 cm X 1



An environment-friendly product made of polypropylene
which can be recyclable after end of use.

The intended use of this product is for domestic use only.

Important, please retain for future reference.

Read carefully.

Before you start

Warnings

IMPORTANT, RETAIN FOR FUTURE REFERENCE READ CAREFULLY

See enclosed instructions for assembly, safety and care information.

Failure to follow the warnings could result in serious injury.

Handle heavy parts with care.

Ensure that this product is fully assembled as illustrated before use.

This product should only be used on firm, level ground.

Keep small parts out of reach of children.

Do not stand or climb onto this product.

This product is intended for **domestic use** only.

Furniture can be dangerous if incorrectly used. No liability will be accepted for damage or injury caused by incorrect use of this product.

Dos

When you are ready to start, make sure that you have the right tools, plenty of space and a clean, dry area for assembly.

Remove all packaging and banding and place the components carefully on suitable surfaces to prevent damaging or scratching them.

Check the pack and make sure you have all of the parts listed.

Check all screws and bolts are tightened and inspect regularly.

This product is suitable for all year outdoor use, but we recommend that a furniture cover be used to add additional protection to your product when not in use.

PLEASE NOTE - All cushions should be stored indoors after use. The cushions are not waterproof.

During severe weather conditions and in the winter months we recommend moving your furniture inside into a cool, dry place.

Before storage, ensure that the product is clean and dry.

To clean, wipe down with a sponge and warm soapy water and wipe with a clean, dry cloth.

Cushions should be cleaned following the care instruction on the label.

Don'ts

Do not use scourers, abrasives, washing powders, chemical cleaners or any other substances containing abrasives since these substances can damage the product, including the glass panel.

Never tilt the chair during use.

Do not place very hot or very cold items on the glass surface unless adequately thick table-mats are used to prevent such items from coming into contact with the glass.

Do not use the glass as a chopping surface. Do not strike glass with hard or pointed items.

Do not strike the glass with hard or pointed items.

Do not use power tools to construct this product.

Do not use this product if parts are missing, damaged or worn.

Do not sit or lean on the table.

Do not stand or climb onto the product and do not use it as a ladder, as this could lead to it unbalancing and overturning.

Never drag furniture when moving it, always lift it.

Number of people required for assembly

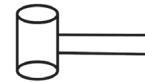
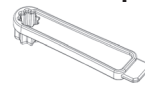
Two people



Time to assemble

60 minutes

Tools required



(Rubber Hammer may be required, not provided)

Tips:

Do NOT fully tighten bolts before all components are connected.

Only fully tighten once you are satisfied with the alignment of all components.

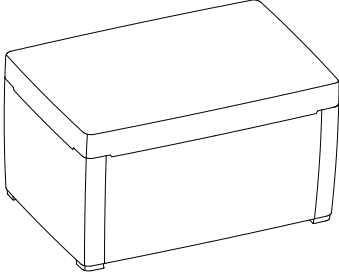
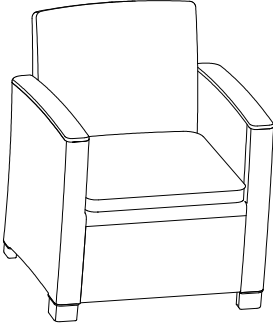
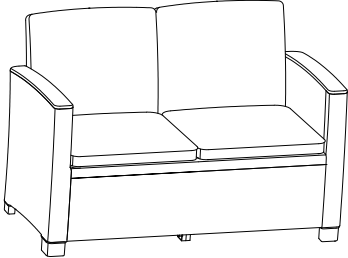
Do not overtighten bolts.

Faro 4pcs Conversation Set

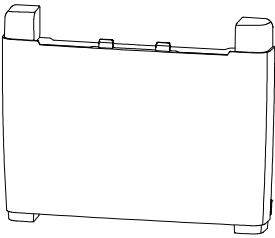
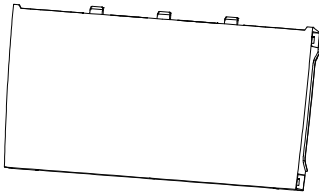
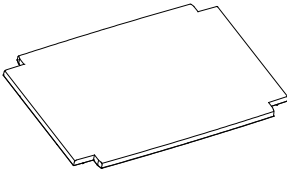
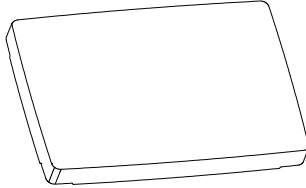
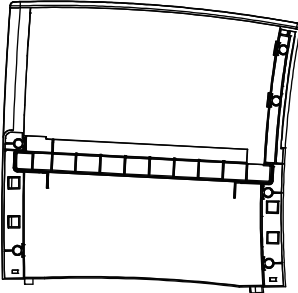
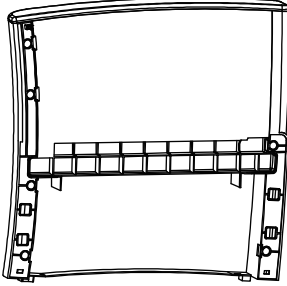
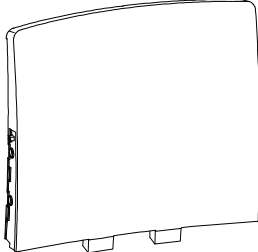
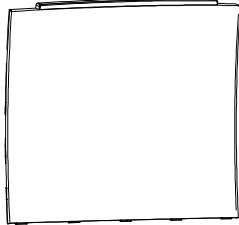
Assembly Instructions

This Set is composed of 4 pieces.

Please find the member parts.

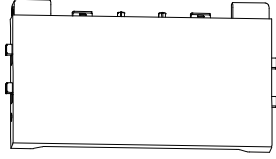
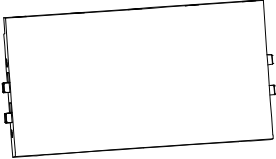
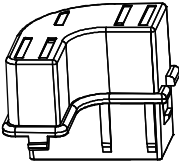
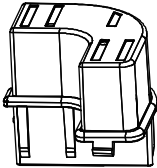
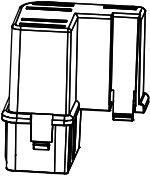
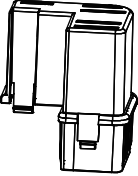
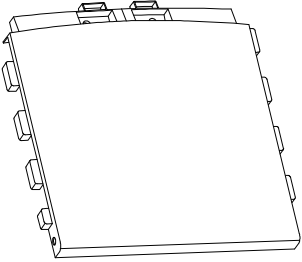
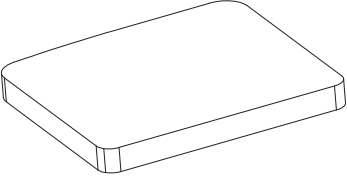
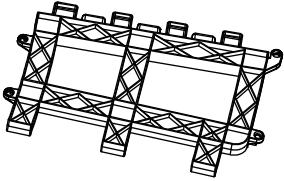

| Member Part | | | |
|-------------|---|-----------------|-------|
| Part No. | Diagram | Name | Qty. |
| MP1 |  | Coffee Table | 1 PC |
| MP2 |  | Arm Chair | 2 PCS |
| MP3 |  | Two Seater Sofa | 1 PC |

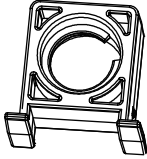
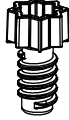
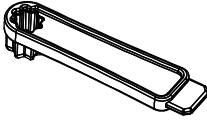
Components, fixtures & fittings (not actual size)

| Parts List | | | | | |
|------------|---|-------|----------|--|-------|
| Part No. | Diagram | Qty. | Part No. | Diagram | Qty. |
| NST |  Coffee Table Leg | 2 PCS | LST |  Side Panel | 2 PCS |
| FT |  Coffee Table Bottom Panel | 1 PC | T |  Coffee Table Top | 1 PC |
| RS |  Right Leg/Armrest | 3 PCS | LS |  Left Leg/Armrest | 3 PCS |
| CB |  Front Backrest | 4 PCS | CBC |  Rear Backrest | 4 PCS |

Faro 4pcs Conversation Set

Assembly Instructions

| | | | | | |
|----|---|-------|-----|---|-------|
| CF |  | 4 PCS | CR |  | 4 PCS |
| | Front Panel | | | Rear Panel | |
| BR |  | 3 PCS | BL |  | 3 PCS |
| | Rear Right Foot Cap | | | Rear Left Foot Cap | |
| LF |  | 3 PCS | RF |  | 3 PCS |
| | Front Left Foot Cap | | | Front Right Foot Cap | |
| CS |  | 4 PCS | A |  | 4 PCS |
| | Seat Panel | | | Cushion | |
| ML |  | 1 PC | ML1 |  | 1 PC |
| | Seat Joint Bar | | | Backrest Joint Bar | |

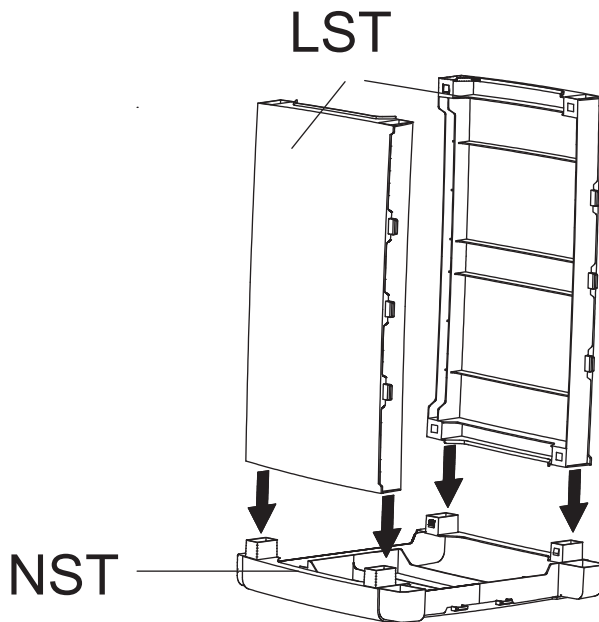
| | | | | | |
|---|--|-------|---|---|--------|
| N |  Nut | 8 PCS | B |  Bolt | 58 PCS |
| S |  Spanner | 2 PCS | | | |

Step by step assembly instructions

MP1 – Coffee Table

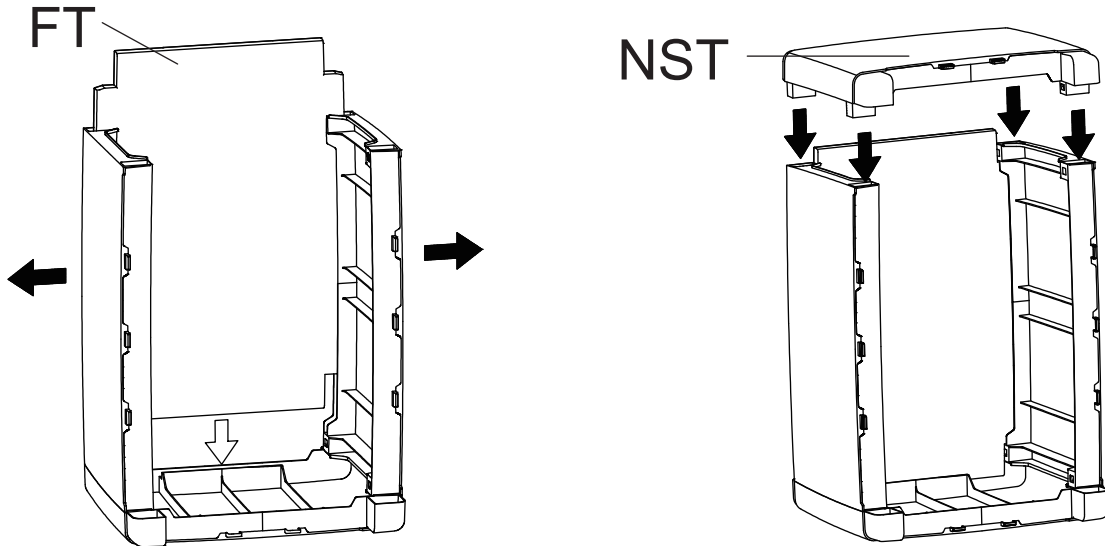
Step One

Attach Side Panels (LST) to the Coffee Table Leg (NST).



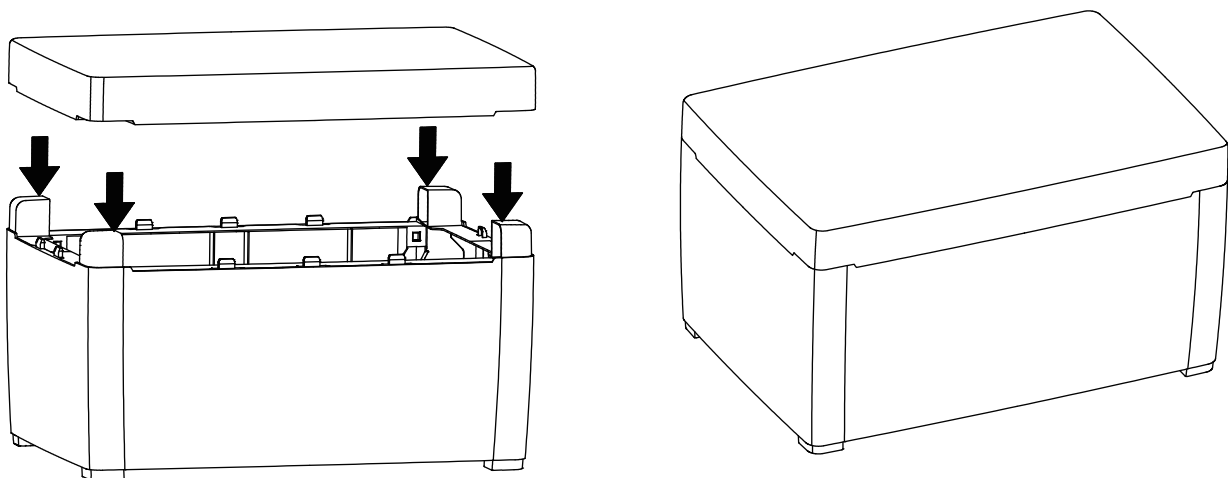
Step Two

Attach Coffee Table Bottom Panel (FT) to the above partly-assembled parts.
 Attach another Coffee Table Leg (NST) to the above partly-assembled parts.
 Place the assembled parts in the upright position.



Step Three

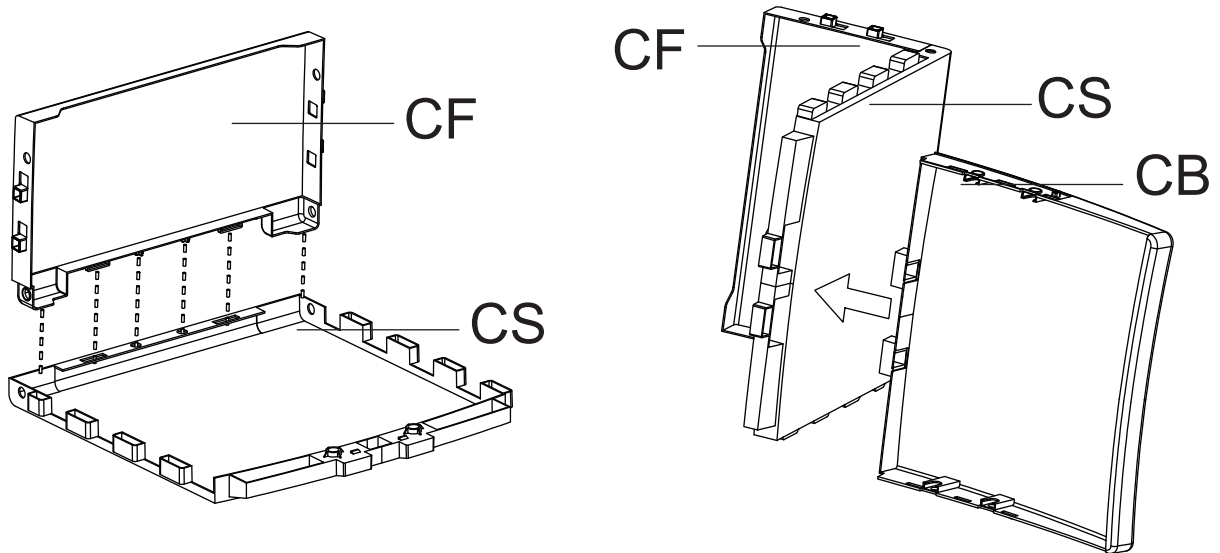
Attach the Coffee Table Top (T) to the above partly-assembled parts.
 Your Coffee Table is now ready for use.
 Note: This Coffee Table is with Storage Facility.



MP2 – Arm Chair

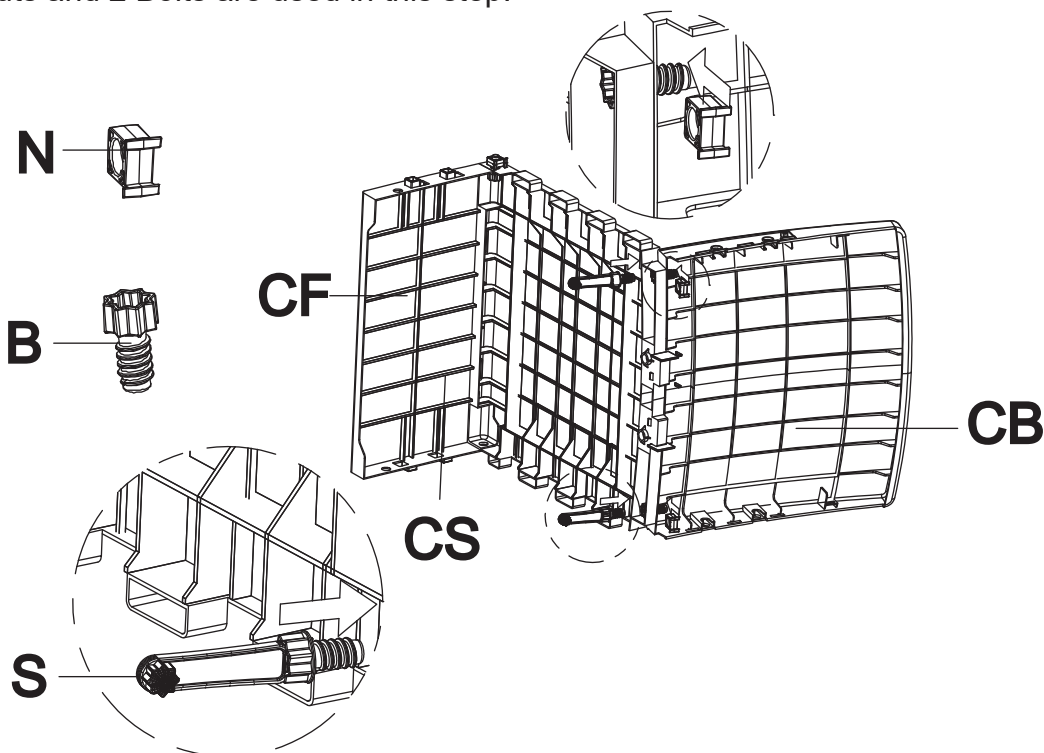
Step One

Attach Front Panel (CF) to the Seat Panel (CS).
Attach Front Backrest (CB) to the Seat Panel (CS).



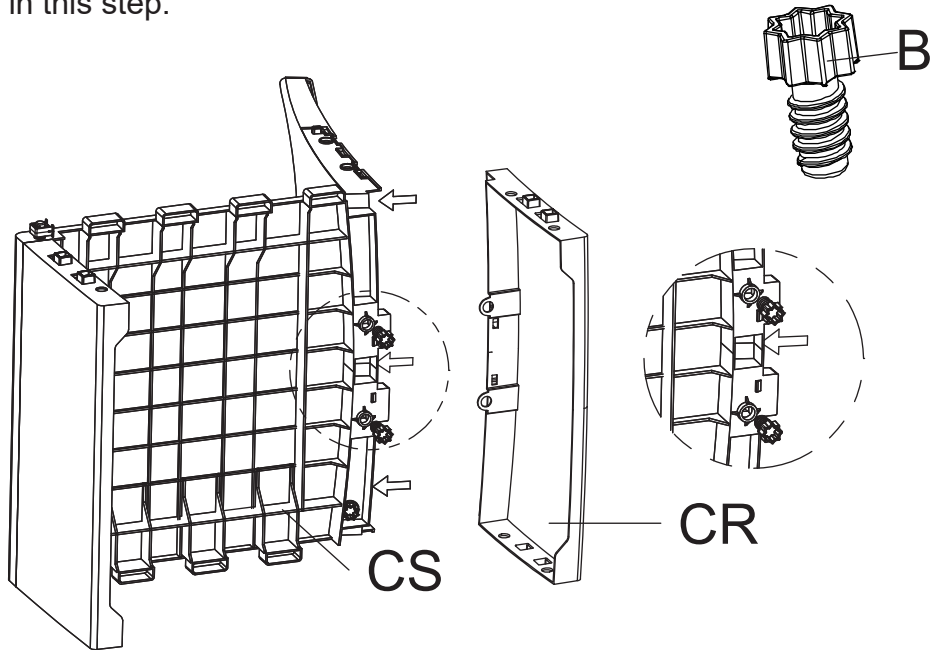
Step Two

Tighten the parts using Nuts (N), Bolts (B) by Spanner (S).
2 Nuts and 2 Bolts are used in this step.



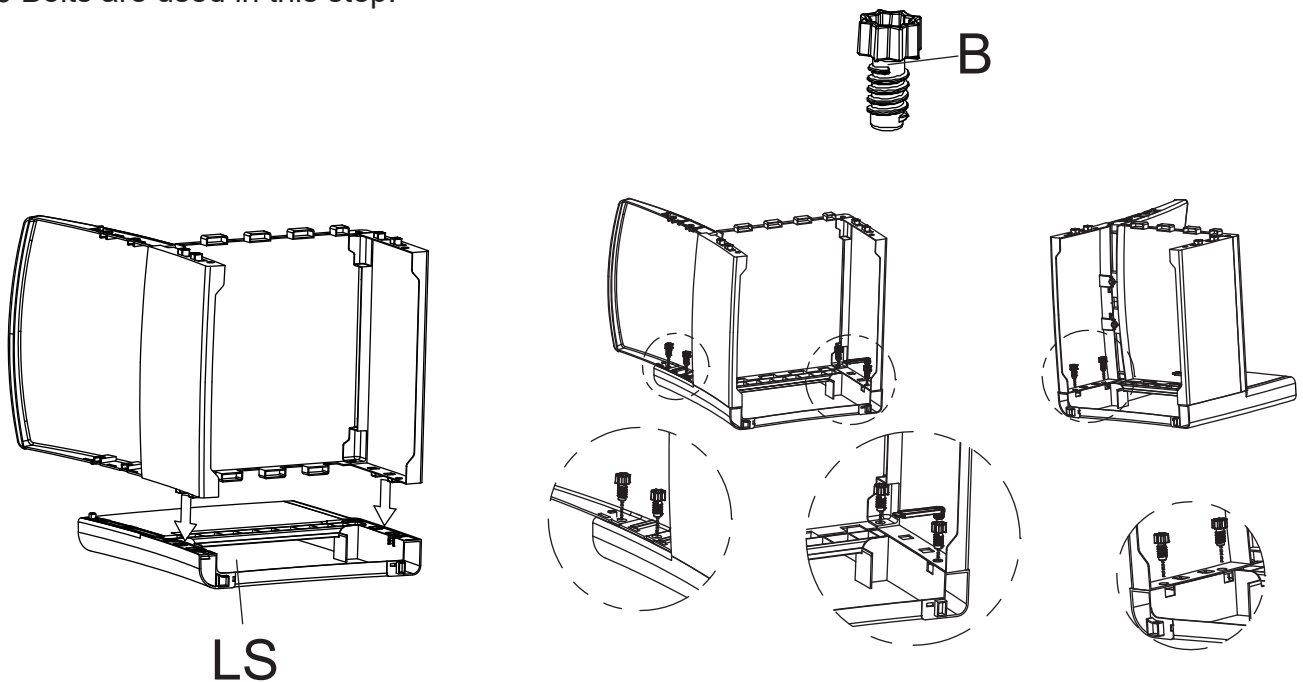
Step Three

Attach the Rear Panel (CR) to the Seat Panel (CS) using Bolts (B).
2 Bolts are used in this step.



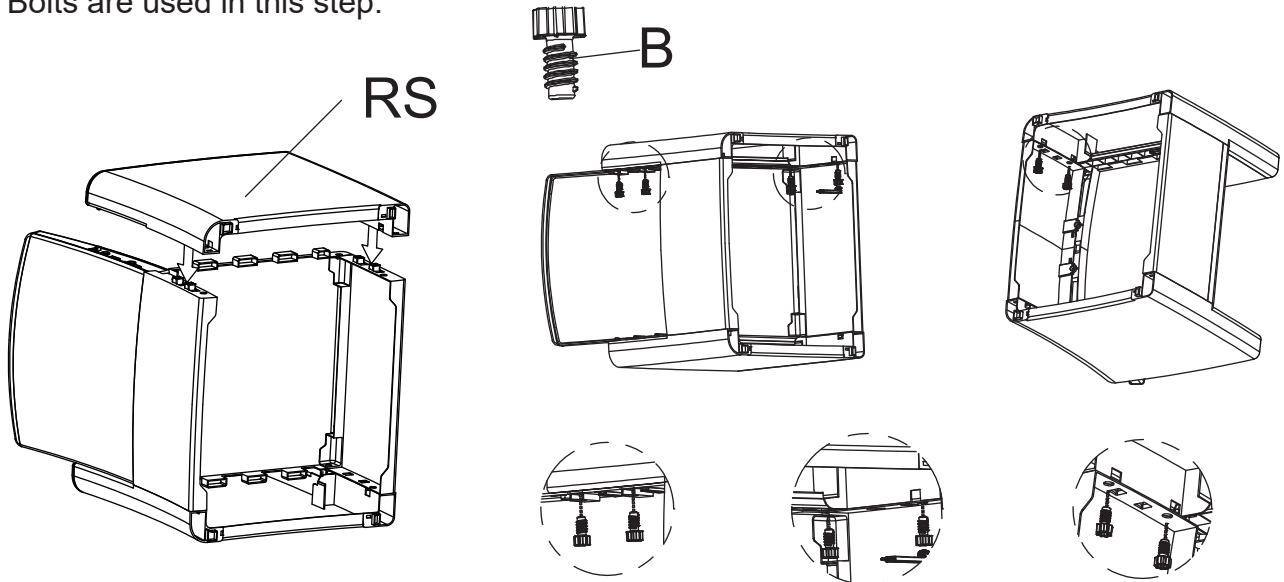
Step Four

Attach above partly-assembled parts to the Left Leg/Armchair (LS) using Bolts (B).
6 Bolts are used in this step.



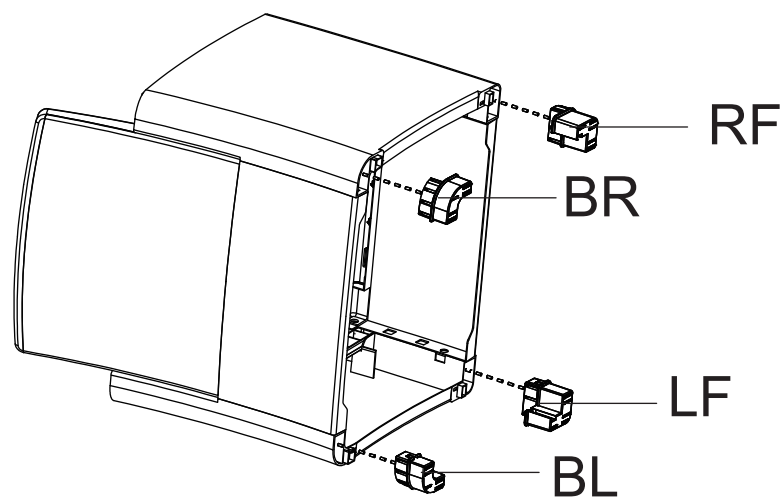
Step Five

Attach above partly-assembled parts to the Right Leg/Armchair (RS) using Bolts (B).
6 Bolts are used in this step.



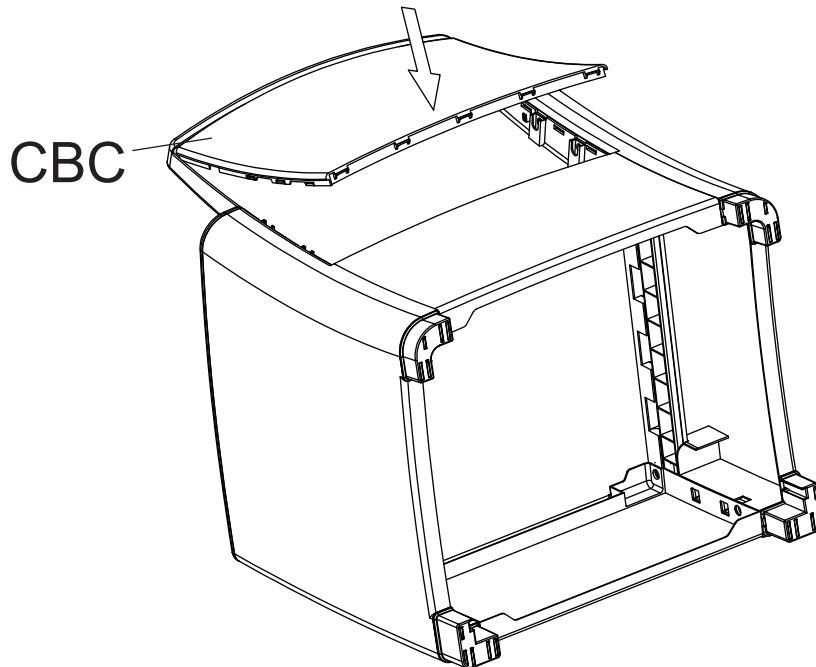
Step Six

Attach Rear Right Foot Cap (BR), Rear Left Foot Cap (BL), Front Left Foot Cap (LF) and Front Right Foot Cap (RF) to the bottom side of the Legs.



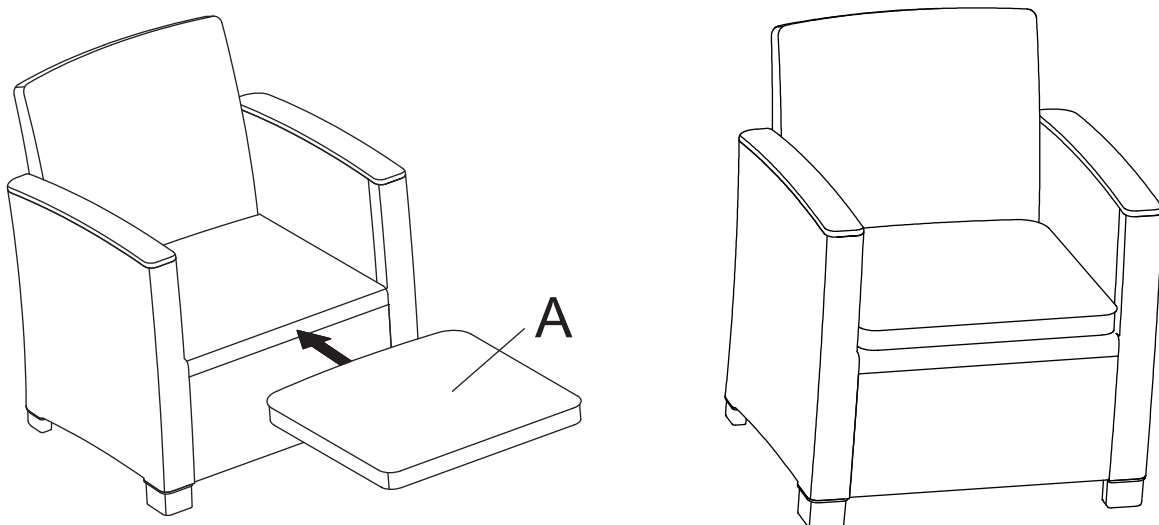
Step Seven

Attach Rear Backrest (CBC) to the above partly-assembled parts.



Step Eight

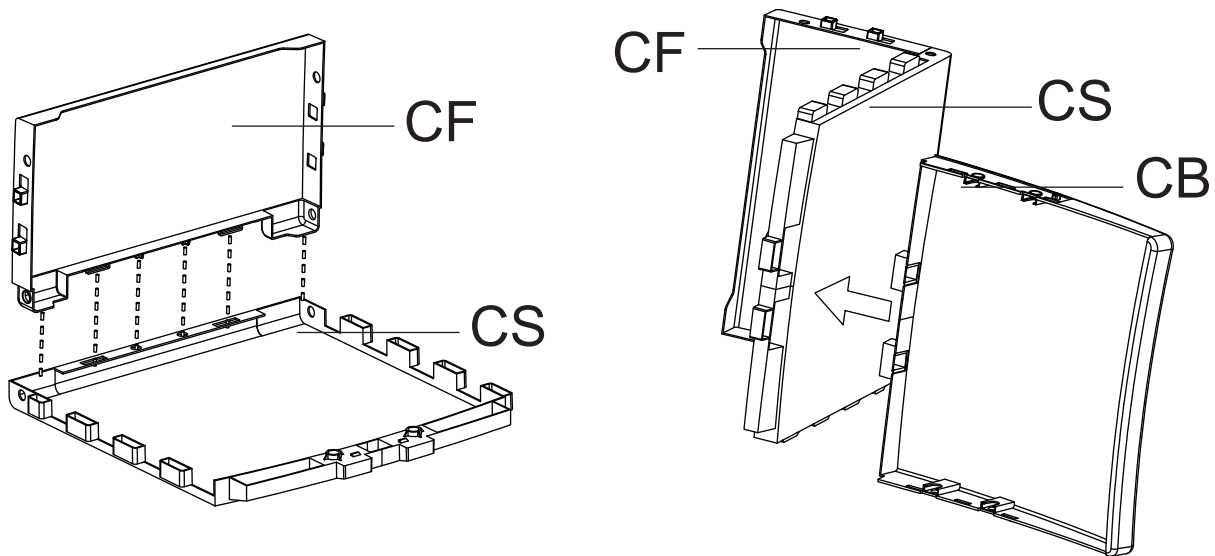
Place the Arm Chair in the upright position. Attach Cushion (A) to the Seat Panel (CS). Your Arm Chair is now ready for use.



MP3 – Two Seater Sofa

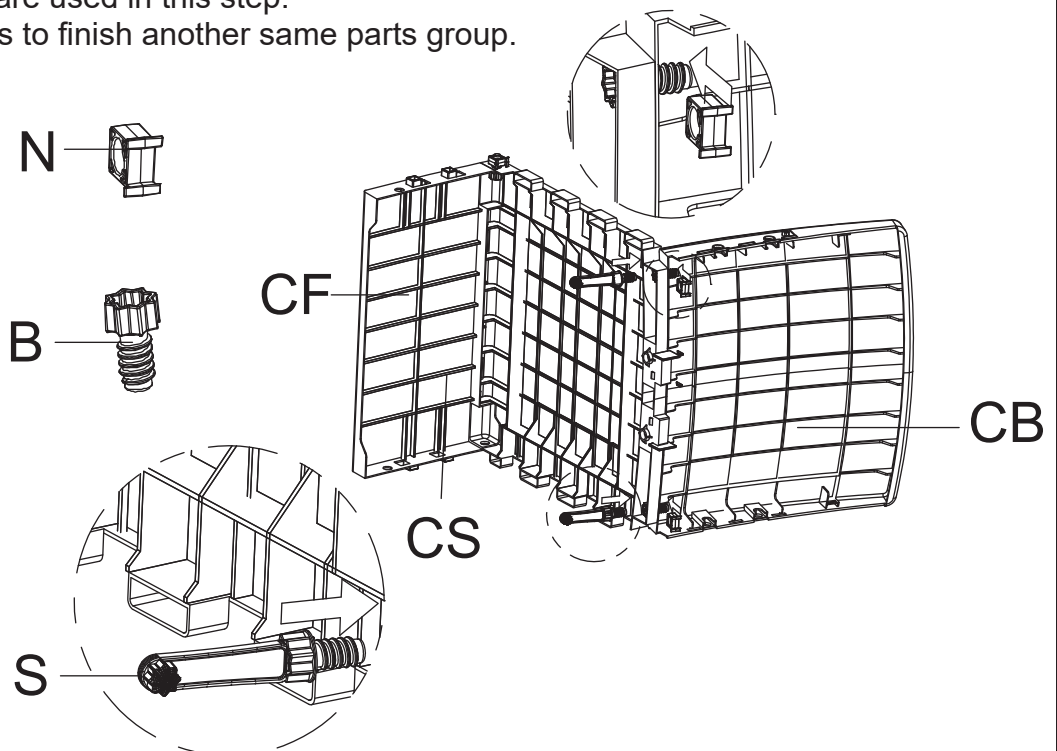
Step One

Attach Front Panel (CF) to the Seat Panel (CS).
 Attach Front Backrest (CB) to the Seat Panel (CS).
 Repeat above Steps to finish another same parts group.



Step Two

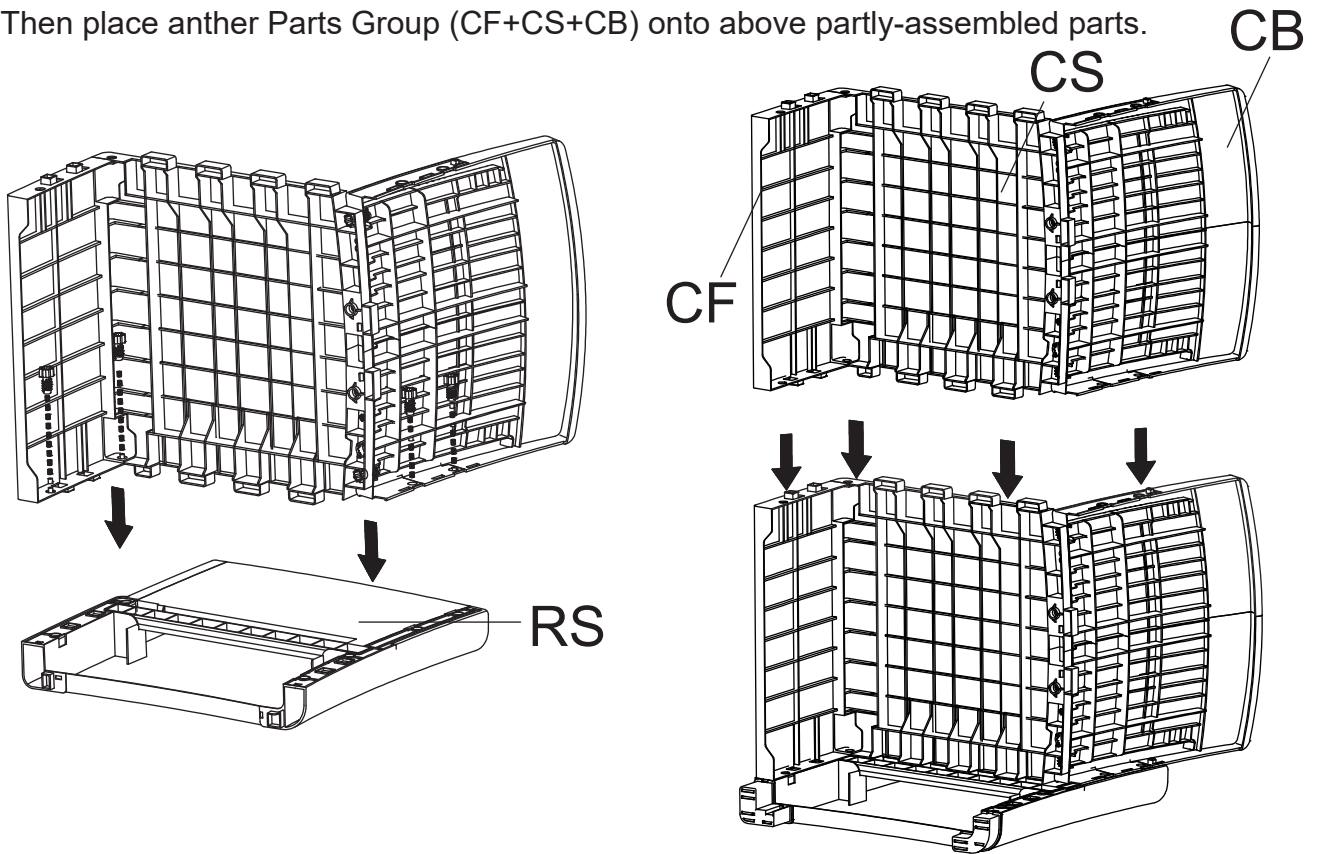
Tighten the parts using Nuts (N), Bolts (B) by Spanner (S).
 2 Nuts and 2 Bolts are used in this step.
 Repeat above Steps to finish another same parts group.



Step Three

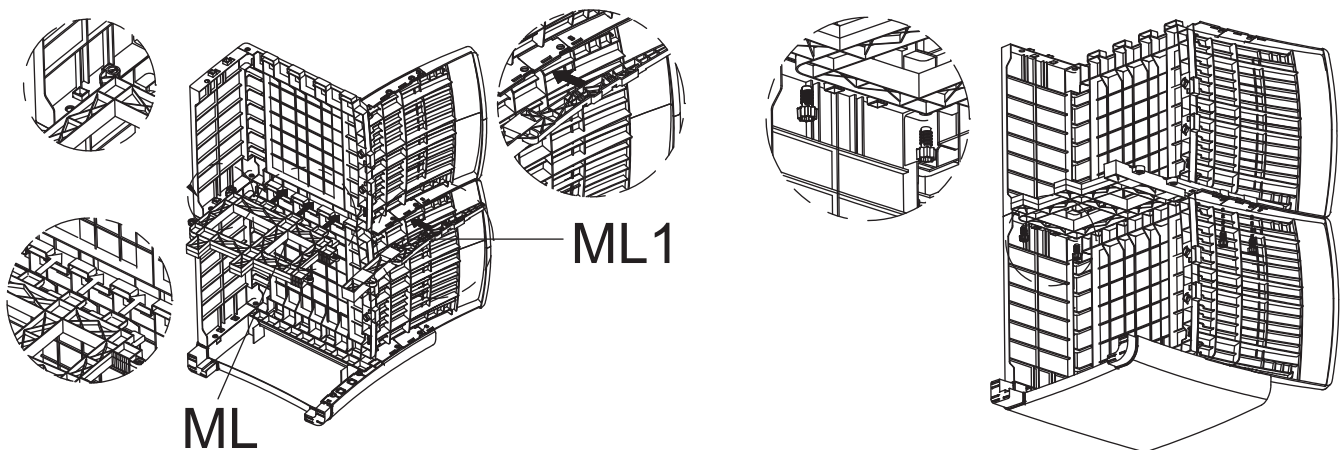
Attach the above partly-assembled parts to the Right Leg/Armrest (RS) using Bolts (B).
4 Bolts are used in this step.

Then place another Parts Group (CF+CS+CB) onto above partly-assembled parts.



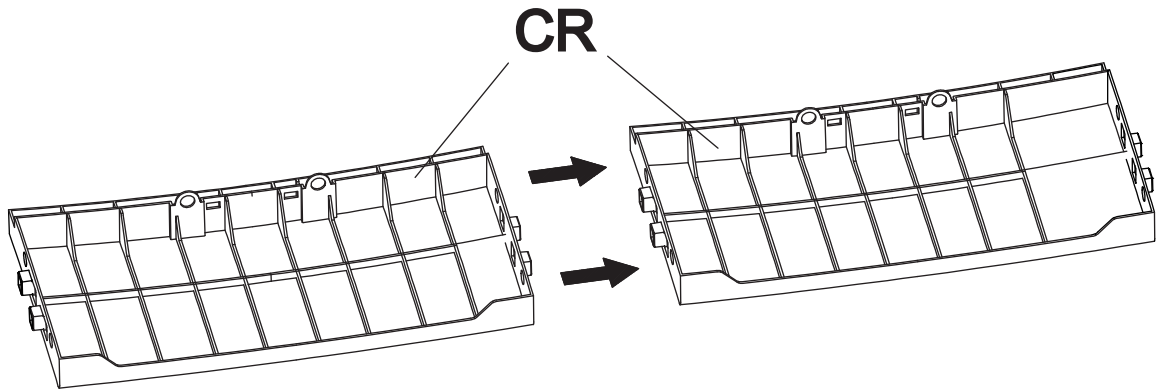
Step Four

Attach Seat Joint Bar (ML) and Backrest Joint Bar (ML1) to the above partly-assembled parts using Bolts (B).
4 Bolts are used in this step.



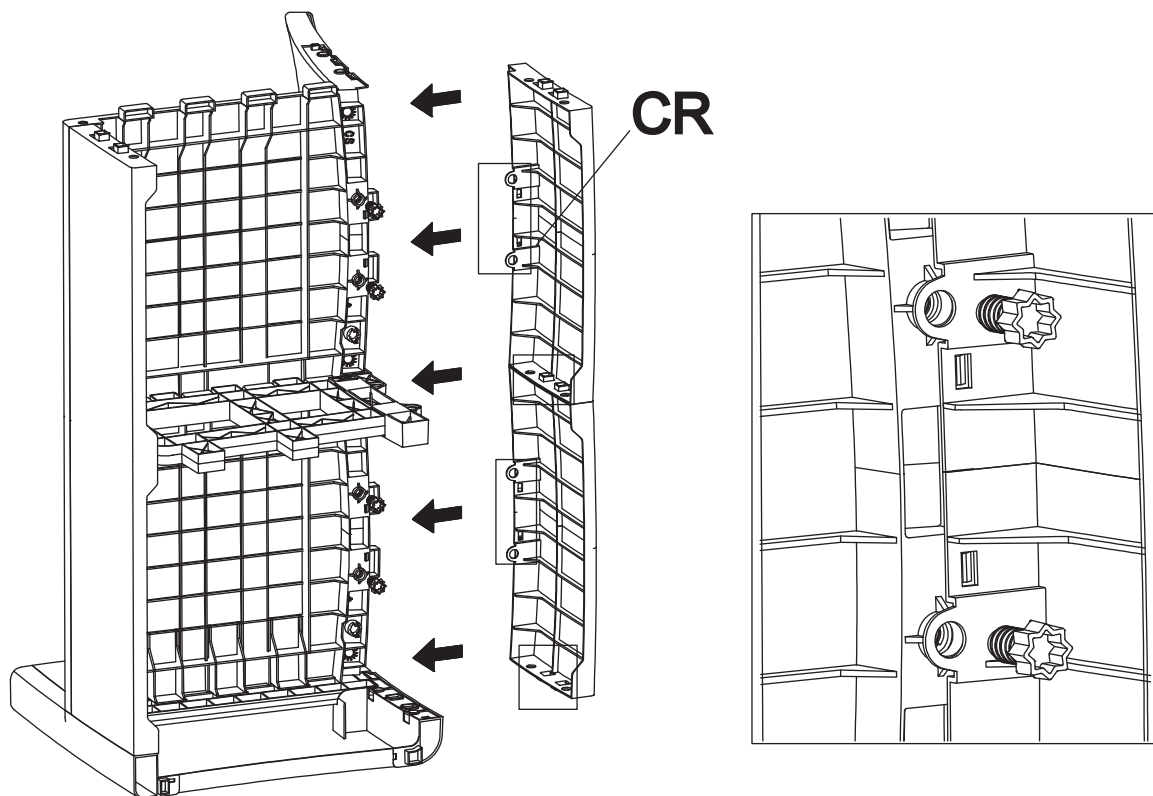
Step Five

Attach the Rear Panels (CR) together.



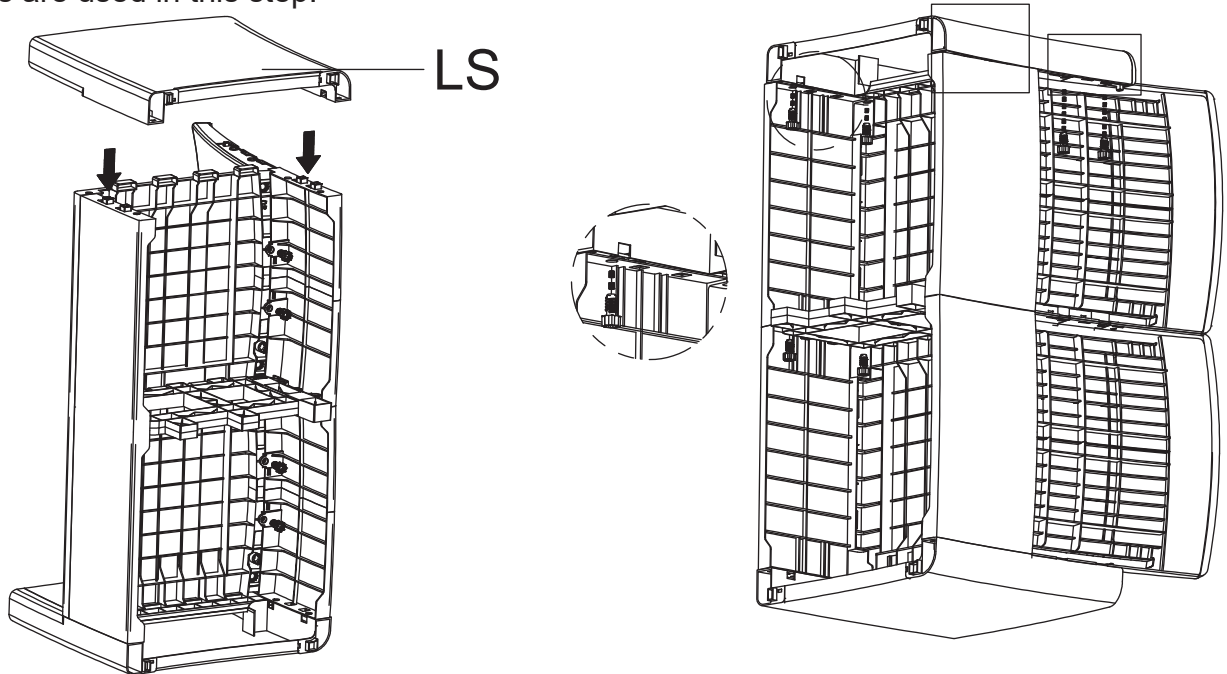
Step Six

Attach Rear Panels Group (CR+CR) to the above partly-assembled parts using Bolts (B). 8 Bolts are used in this step.



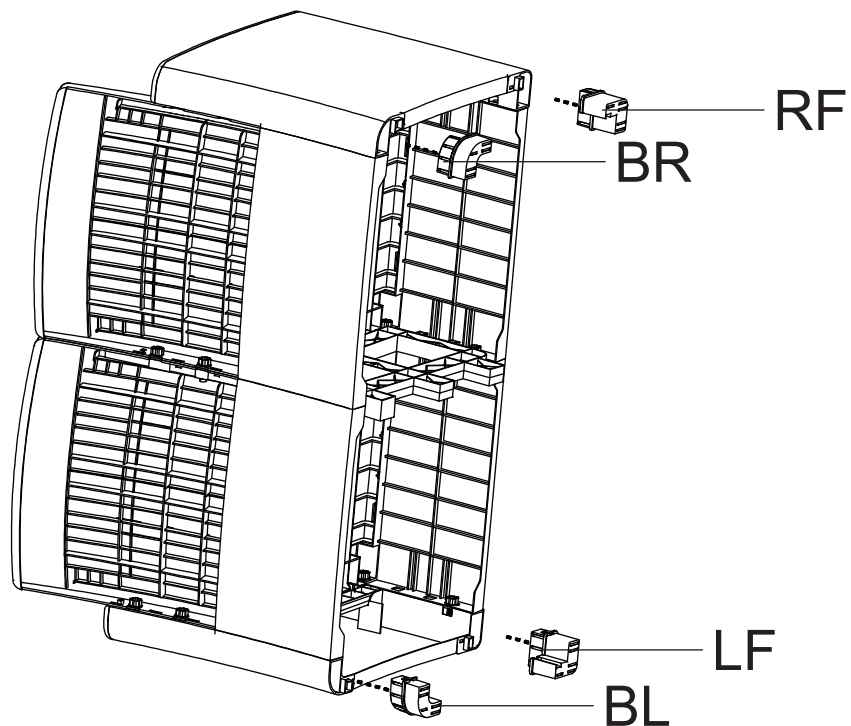
Step Seven

Attach the Left Leg/Armchair (LS) to above partly-assembled parts using Bolts (B).
6 Bolts are used in this step.



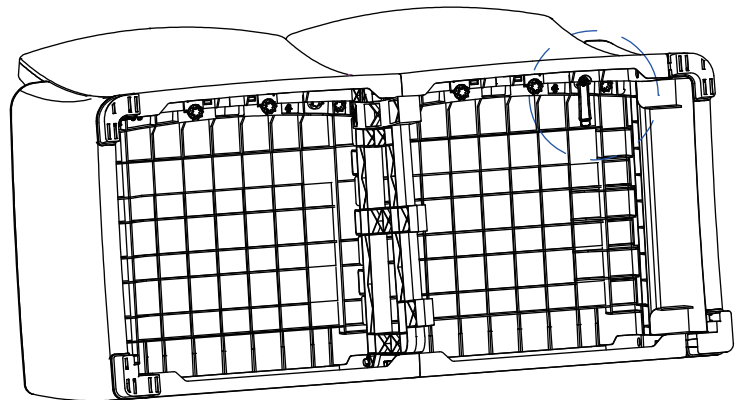
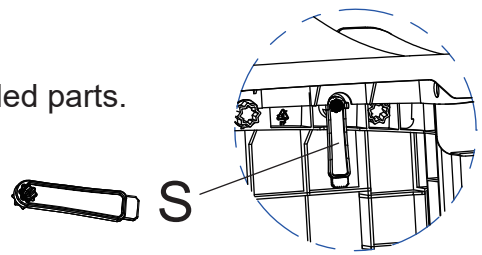
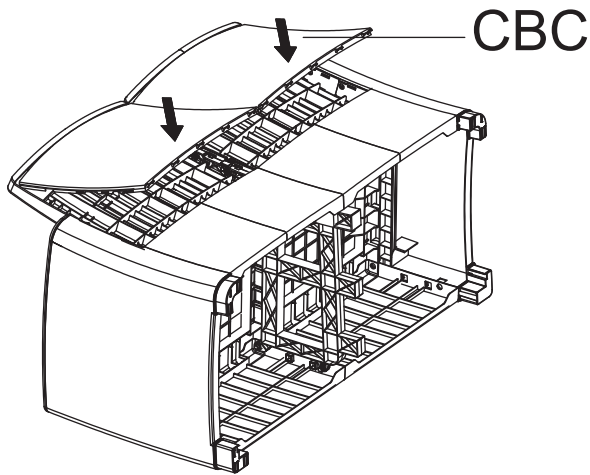
Step Eight

Attach Rear Right Foot Cap (BR), Rear Left Foot Cap (BL), Front Left Foot Cap (LF) and Front Right Foot Cap (RF) to the bottom side of the Legs.



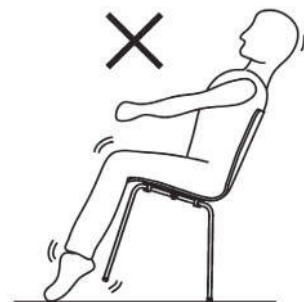
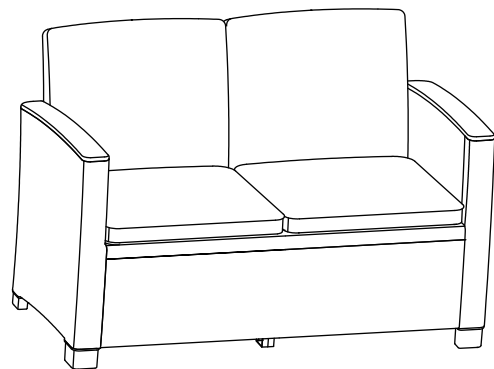
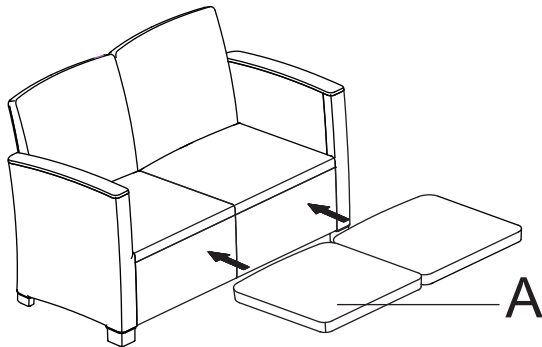
Step Nine

Attach Rear Backrest (CBC) to the above partly-assembled parts.
Tighten other Bolts with Spanner (S).



Step Ten

Place the Two Seater Sofa in the upright position. Attach Cushion (A) to the Seat Panel (CS).
Your Two Seater Sofa is now ready for use.



Never tilt the product during use.
Ensure the product is always placed firmly on the ground.

PLEASE KEEP THESE INSTRUCTIONS FOR FUTURE REFERENCE