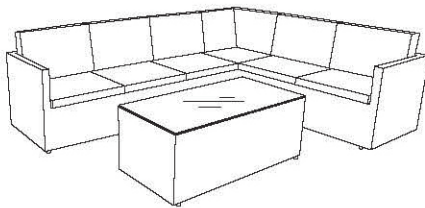
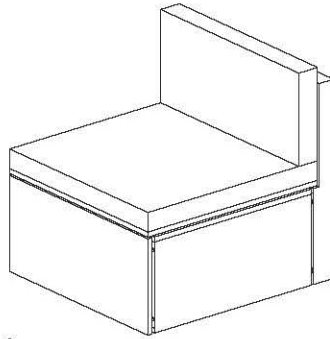
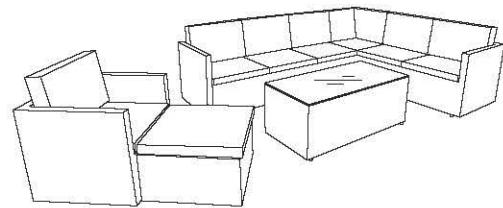


Product size:  
W60\*D65\*H60/75 cm



**(4PCS Corner Lounging Sofa Set)**



**(6PCS Corner Lounging Sofa Set)**

**Furniture should be covered/stored whilst not in use to prolong its longevity.**

**(It should also be covered in adverse weather.)**

The intended use of this product is for domestic use only.

Important, please retain for future reference.

Read carefully.



# Armless Sofa for Berlin 4 or 6PCS Corner Lounging Sofa Set Assembly Instructions

## Before you start



### Warnings

#### IMPORTANT, RETAIN FOR FUTURE REFERENCE READ CAREFULLY

See enclosed instructions for assembly, safety and care information.

Failure to follow the warnings could result in serious injury.

Handle heavy parts with care.

Ensure that this product is fully assembled as illustrated before use.

This product should only be used on firm, level ground.

Keep small parts out of reach of children.

Do not stand or climb onto this product.

This product is intended for **domestic use** only.

Furniture can be dangerous if incorrectly used. No liability will be accepted for damage or injury caused by incorrect use of this product.

### ✓ Dos

When you are ready to start, make sure that you have the right tools, plenty of space and a clean, dry area for assembly.

Unwrap all packaging materials and place the components on a suitable surface to prevent scratching your product.

Check all contents are present prior to assembly as per the parts list provided. In the event of problems or missing parts, please contact the seller.

Check all screws and bolts are tightened and inspect regularly.

Cover furniture when not in use to add additional protection to your product.

Store all cushions indoors after use as they are not waterproof.

During severe weather conditions, including high winds, rain, hail, thunderstorms, extreme heat and cold temperatures, the product should be stored inside in a cool, dry place.

To best preserve the synthetic rattan, please use a protective cover when your furniture is not in use. We would also recommend using a gazebo or parasol over your furniture during the summer period and prolonged sunny spells. This will help prevent harmful UV rays from damaging and discolouring the material.

Ensure that the product is clean and dry before storage.

Clean your product with a sponge and warm soapy water then wipe with a clean, dry cloth.

Cushions should be cleaned following the care instruction on the label.

Where instructions as to the; storage, commissioning, installation, use and maintenance of the goods or (if there is none) good trade practice are not followed and a defect arises this will void the 12 month manufacturer's guarantee on the product.

### ✗ Don'ts

Never tilt the chair during use.

Do not stand or climb onto the product.

Do not use power tools to construct this product.

Do not sit or lean onto the arms of this product.

Do not use this product if parts are missing, damaged or worn.

Do not use scourers, abrasives, washing powders, chemical cleaners or any other substances containing abrasives since these substances can damage the product.

Do not use this product as a ladder as this could lead to the product becoming unbalanced and overturning.

Do not place very hot or very cold items on this product surface.

Never drag furniture when moving it, always lift it.

### Number of people required for assembly

Two people



### Time to assemble

15 minutes

### Tools required



### Tips:

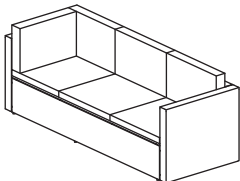
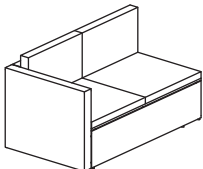
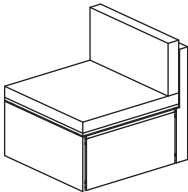
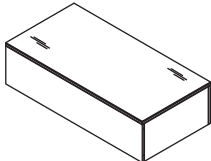
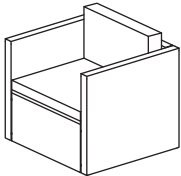
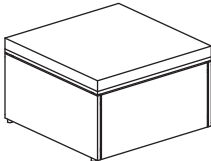
**Do NOT fully tighten bolts before all components are connected. Only fully tighten once you are satisfied with the alignment of all components. Do not overtighten bolts.**



# Armless Sofa for Berlin 4 or 6PCS Corner Lounging Sofa Set

## Assembly Instructions

Please find the Components for the whole set.  
This Carton contains Component 3.

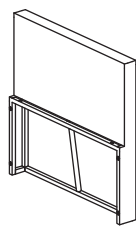
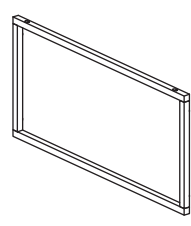
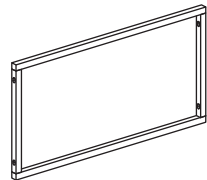
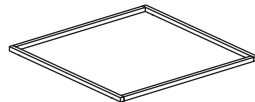

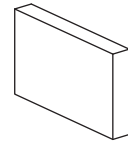
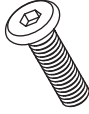


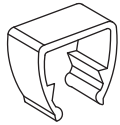
No.	Diagram	Name	Qty.
1		3-Seater Sofa	1 PC
2		2-Seater Sofa	1 PC
3		Armless Sofa	1 PC
4		Coffee Table	1 PC
5	 Only for 6PCS Corner Lounging Sofa Set	Armchair	1 PC
6	 Only for 6PCS Corner Lounging Sofa Set	Footstool	1 PC

[www.royalcraft.co.uk](http://www.royalcraft.co.uk)

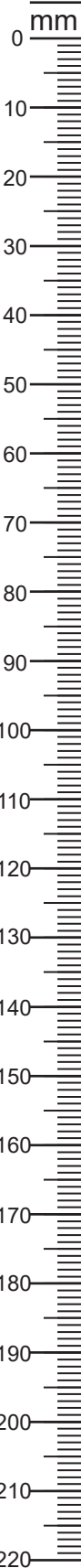
# Armless Sofa for Berlin 4 or 6PCS Corner Lounging Sofa Set

## Assembly Instructions

Parts, fixtures & fittings (not actual size)

Parts List					
Part No.	Diagram	Qty.	Part No.	Diagram	Qty.
A	 Backrest	1 PC	B	 Front Panel	1 PC
C	 Side Panel	2 PCS	D	 Seat	1 PC
E	 Seat Cushion	1 PC	F	 Backrest Cushion	1 PC
N35	 M6*35mm Bolt	12 PCS	AK	 Allen Key	1 PC
F2	 Washer	12 PCS	CL	 Clip	4 PCS

[www.royalcraft.co.uk](http://www.royalcraft.co.uk)



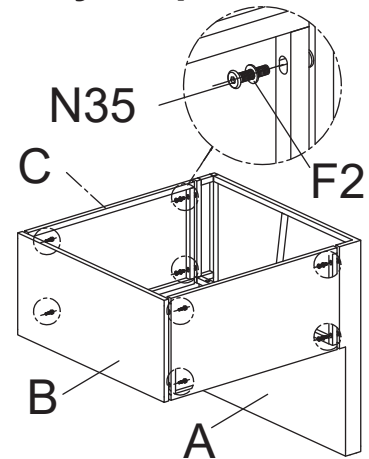
# Armless Sofa for Berlin 4 or 6PCS Corner Lounging Sofa Set

## Assembly Instructions

### Component 3 – Armless Sofa: Assembly Steps

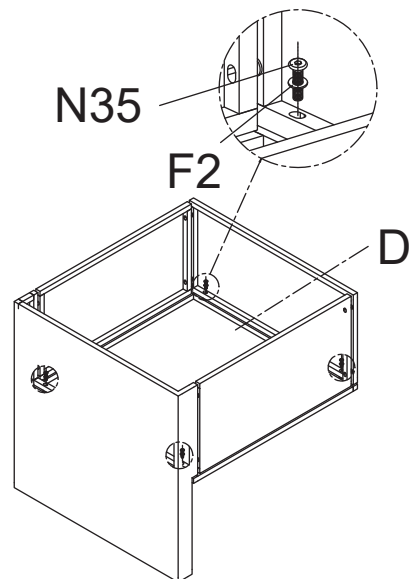
#### Step One

Loosely attach the Backrest (A), Front Panel (B) Side Panels (C) to each other using Washers (F2) and Bolts (N35).



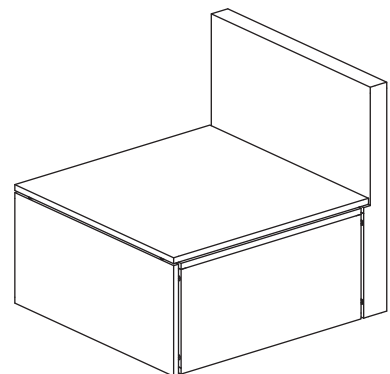
#### Step Two

Loosely attach the Seat (D) to above partly-assembled parts using Washers (F2) and Bolts (N35).



#### Step Three

With the help of another person, turn over and move the Armless Sofa to the intended location for use,



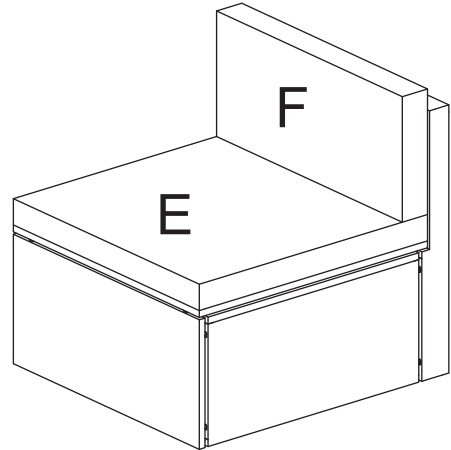
# Armless Sofa for Berlin 4 or 6PCS Corner Lounging Sofa Set

## Assembly Instructions

### Step Four

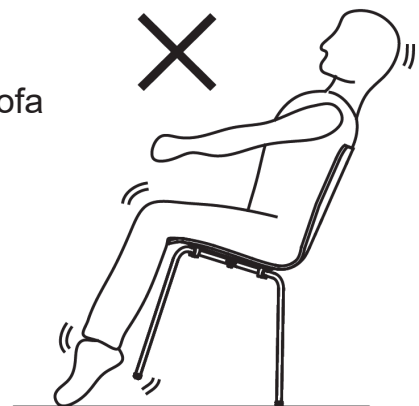
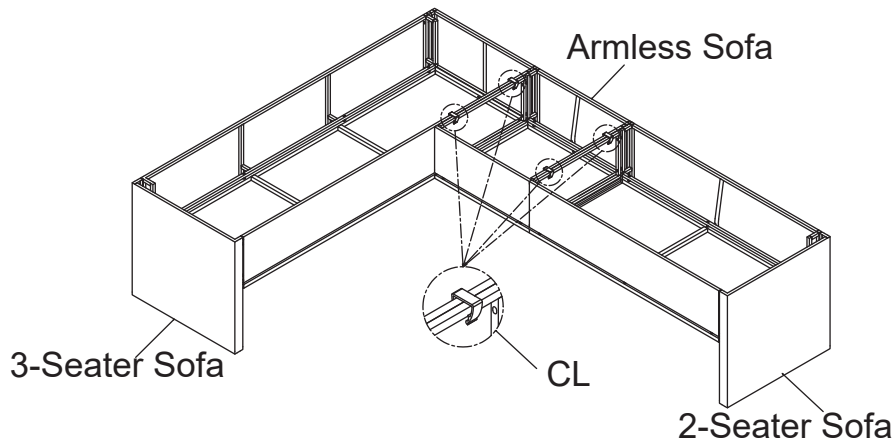
Place the Seat Cushion (E) and Backrest Cushion (F) onto the seat.

Your Armless Sofa is now ready for use.



### Step Five

Please note this Sofa should be combined together with other parts with Clips (CL) like below diagram.



Never tilt the products during use.  
Ensure the product is always placed firmly on the ground.

Ensure the product is always placed firmly on the ground.

**PLEASE KEEP THESE INSTRUCTIONS FOR FUTURE REFERENCE**

[www.royalcraft.co.uk](http://www.royalcraft.co.uk)