

Before assembly

- We recommend that time is taken to read the instructions before starting assembly, then follow the easy step by step guide. The instruction sheet is only a guide to the assembly. Certain items may not be shown to scale.
- Check all components prior to assembly
- This product should be assembled by no less than two people.
- Never attempt to erect the assembly in high winds.
- Drill components where indicated.



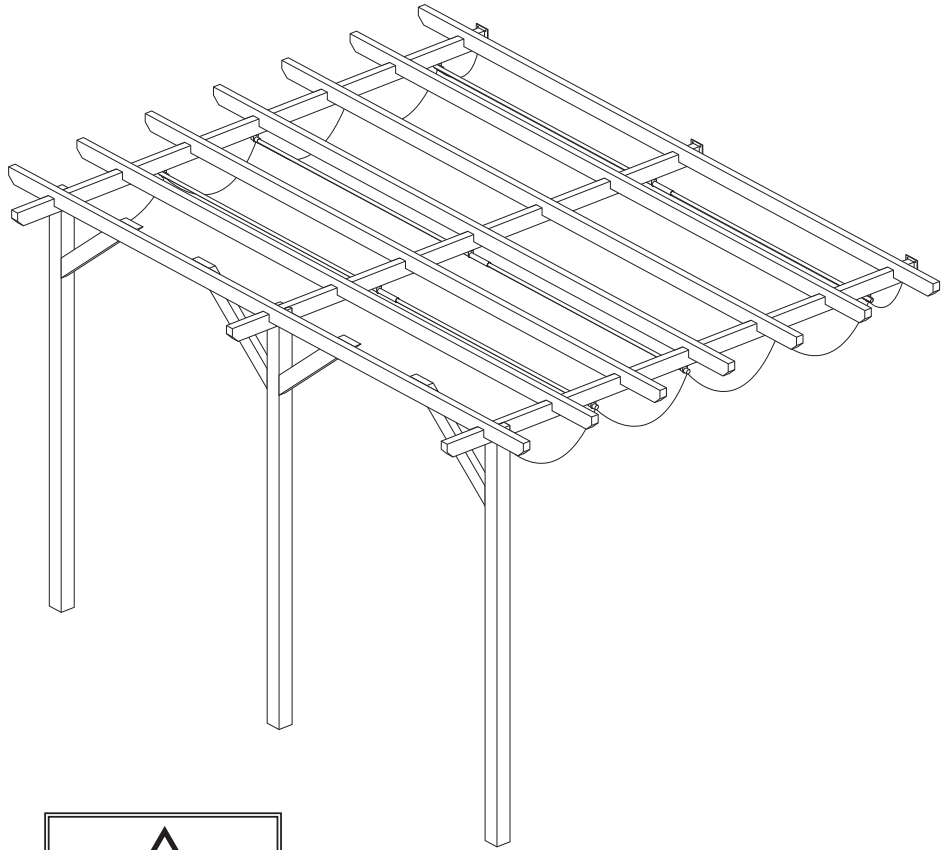
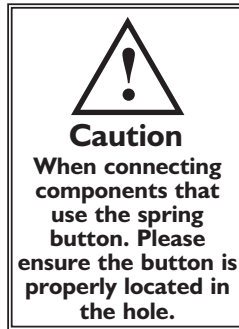
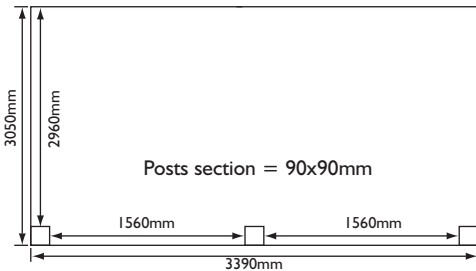
Recommended tools for assembly

- Spirit level
- Step ladder
- Drill
- 3mm dia. drill bit
- 10mm dia. wood drill bit
- 12mm dia. masonry drill bit
- Screw driver
- Spanner/socket set
- Spray lubricant

Overall dimensions

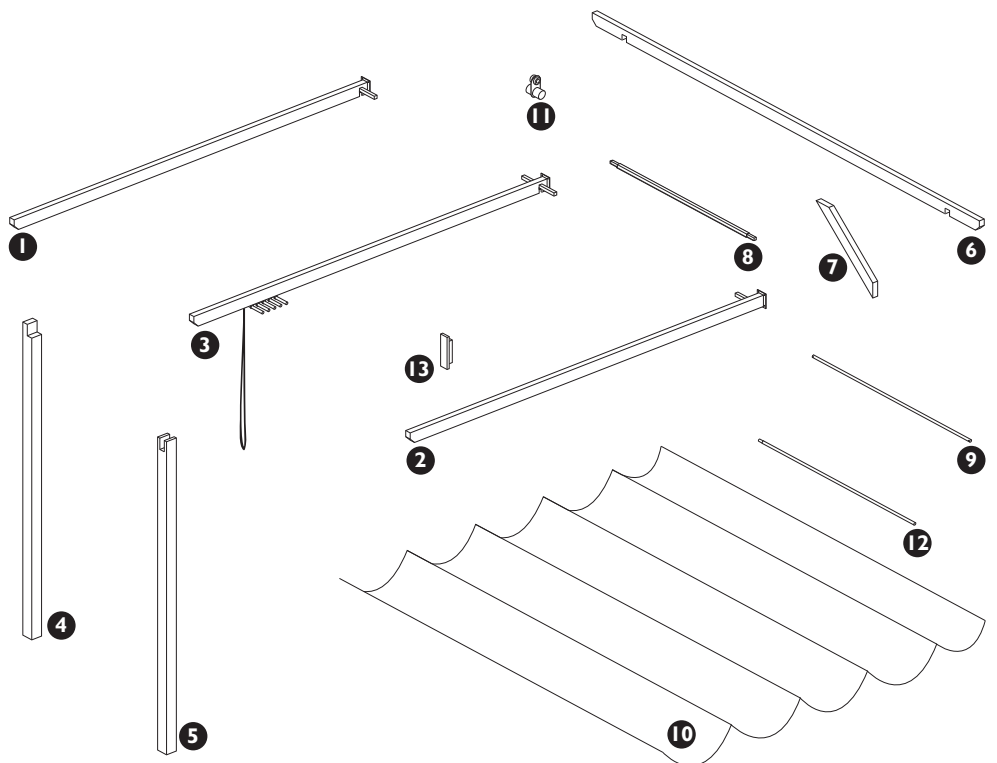
- H= 2540mm
- W= 3900mm
- D= 3330mm

Footprint dimensions



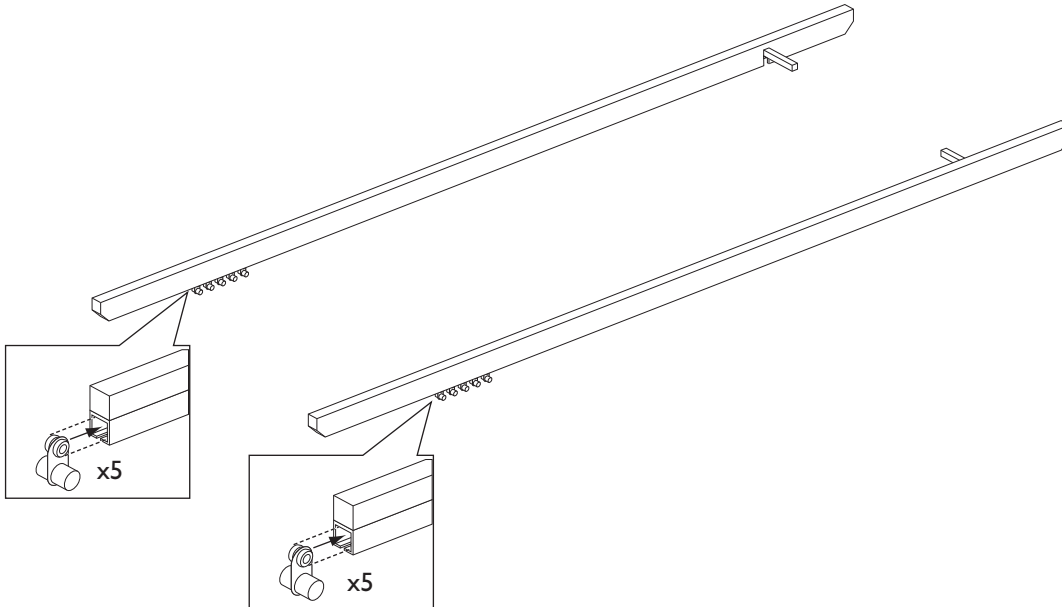
No.	Components	Qty.
1	Left-hand track	1
2	Right-hand track	1
3	Centre track and pulley mechanism	1
4	Outer Legs	2
5	Centre leg	1
6	Rafters	7
7	Corner braces	4
8	Square metal tubes	2
9	Fixed canopy tubes	2
10	Polyester canopy	1
11	Runners	10
12	Canopy tubes	10

No.	Fixings	Qty.
13	Cleat	1
14	115mm bolt	6
15	10mm washer	6
16	6mm washer	4
17	Nut	6
18	30mm bolt	4
19	12mm bolt	4
20	70mm screw	33
21	40mm black screw	2
22	Wall fixing	12



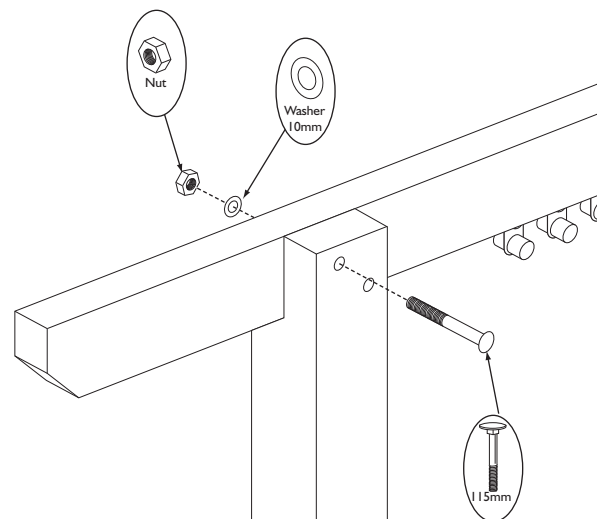
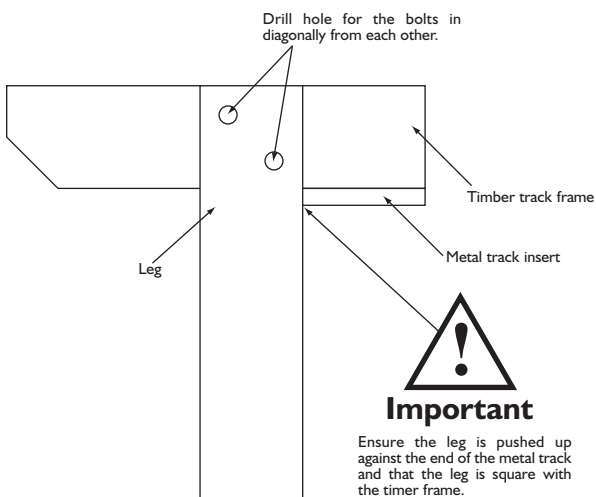
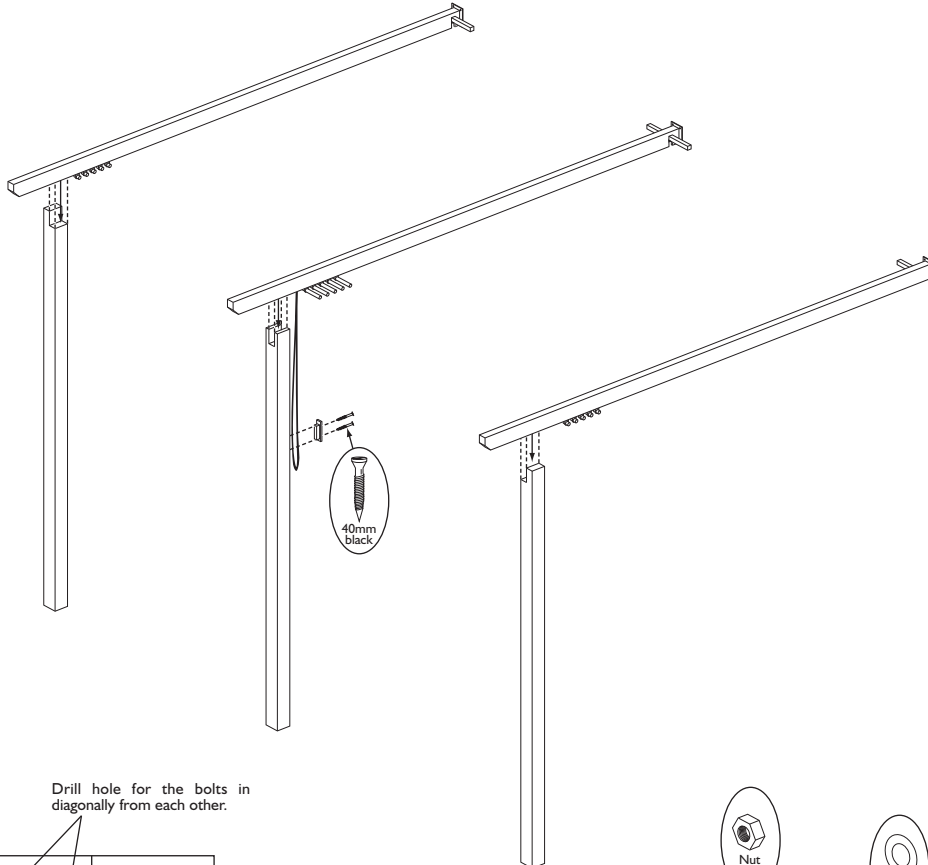
1. Outer track runners

To the underside of both outer tracks components, insert five runners into the metal tracks.



2. Tracks to legs

Position a leg on the ends of each track section. Note that the centre leg is fitted to the centre track and the outer legs fit to the outer track sections, ensuring that the rebate in each of the outer leg faces inward. For each leg make sure it is pushed up against the ends of the metal track section and right angles to the tracks, drill using a 10mm drill bit, through the leg and timber of the track sections and secure using 2 x 115mm bolts nuts and 10mm washers per leg. Fit the cleat to the inside of the front middle leg where the pulley chord hangs down, position so that the chord can be wrapped around the cleat when not in use. Secure the cleat using 2 x 40mm black screws.



3. Connecting frame to the wall

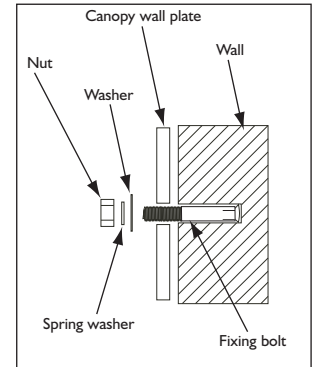
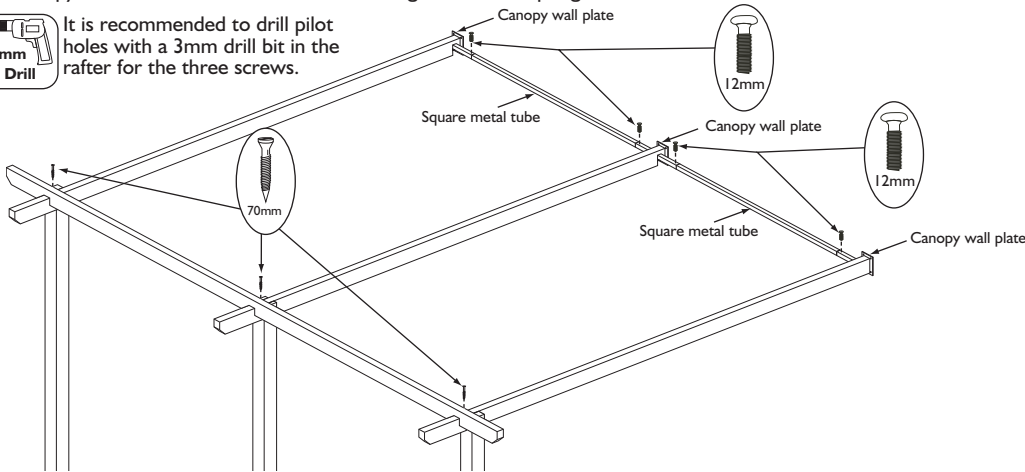
When erecting the canopy frame, judgement should be used to determine the most appropriate fixing component to attach the metal plates to the exterior wall, bearing in mind the strength and condition of the wall. If deemed appropriate, substitute the included wall fixing.

Lock into position the two square metal tubes using 4 x 12mm bolts with the four metal brackets at the wall end of the canopy. At the opposite end position a Rafter on top of the track sections up against the outside of the legs and secure in place with 3 x 70mm screws as shown. Put the canopy frame into position, ensure that feet are flat on the floor and the tracks are level using a spirit level. Mark the wall with the position of the 4 holes of each wall plate.

For the fixings included, remove the frame work and drill 10mm diameter holes at positions marked to a depth of 50mm. Gently tap the fixing bolts into the hole. Reposition the canopy frame on to the studs and secure using the washer, spring washer and the nut.



It is recommended to drill pilot holes with a 3mm drill bit in the rafter for the three screws.

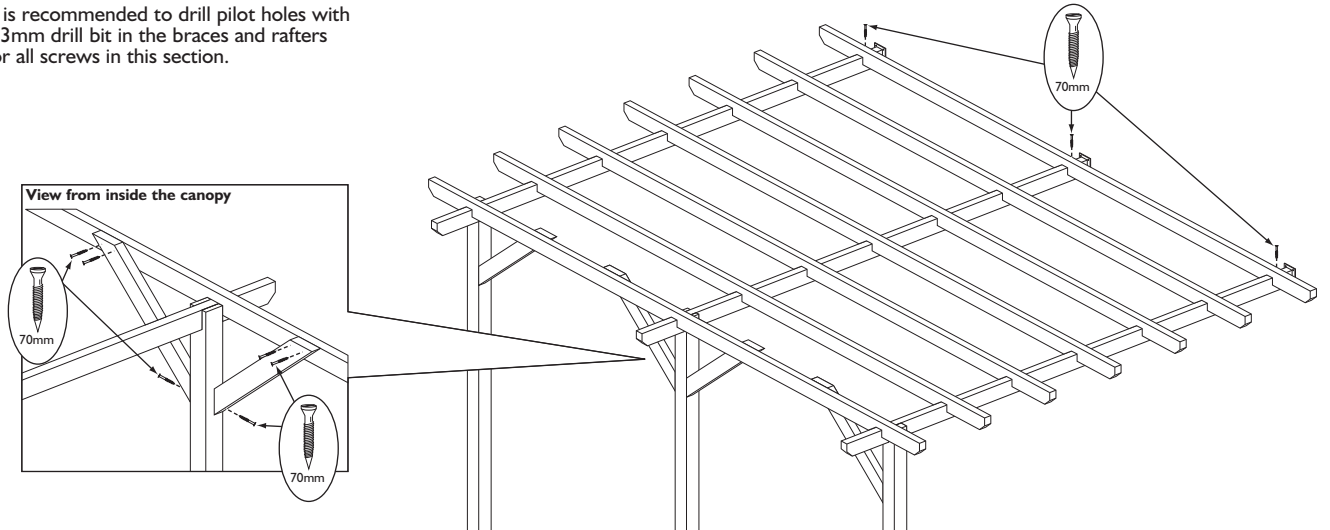


4. Rafters and corner supports

Position the remaining six rafters on top of the track sections as shown and distributed evenly along the length of the tracks. When all rafters are in position, secure each rafter with 3 x 70mm screws. Position the four corner braces as shown, secure each to the rafters using 2 x 70mm screws and secure to the legs using 1 x 70mm screw.

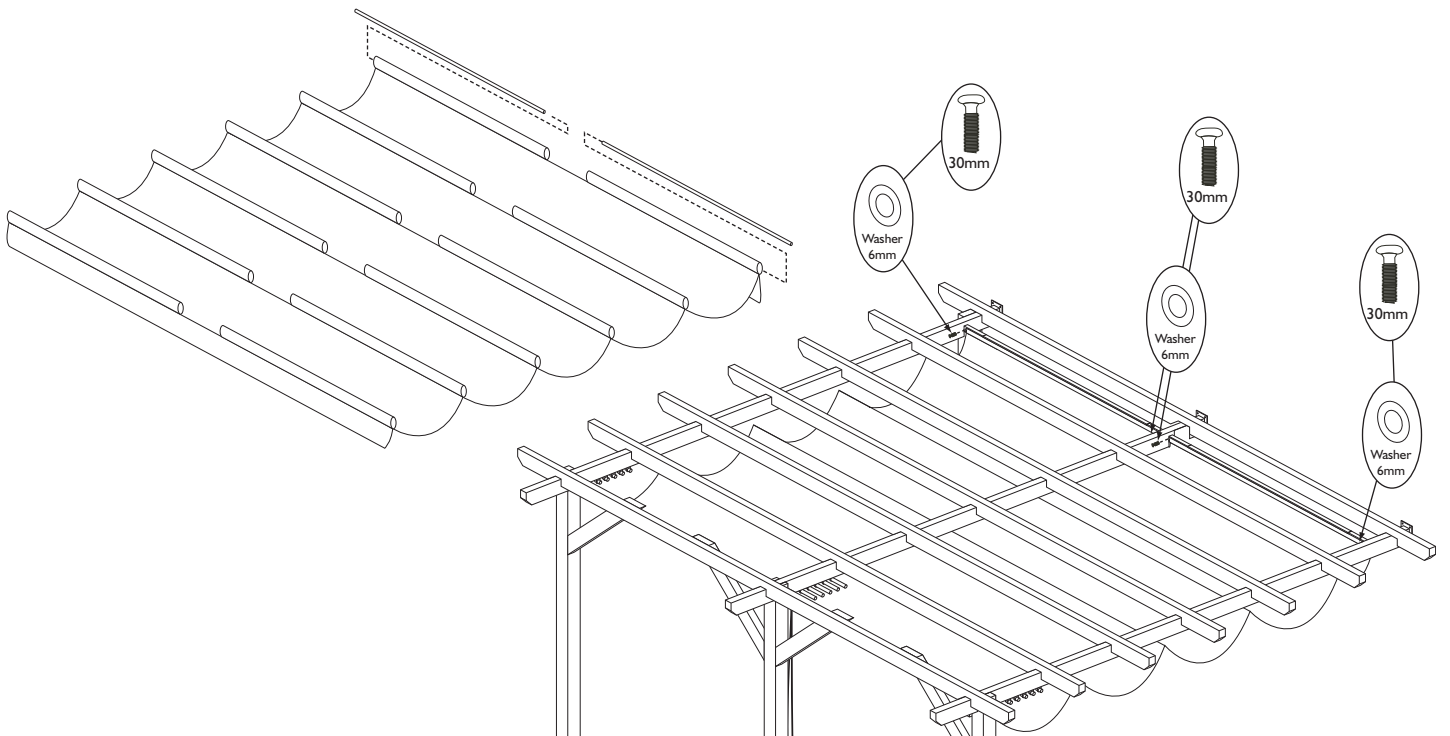


It is recommended to drill pilot holes with a 3mm drill bit in the braces and rafters for all screws in this section.



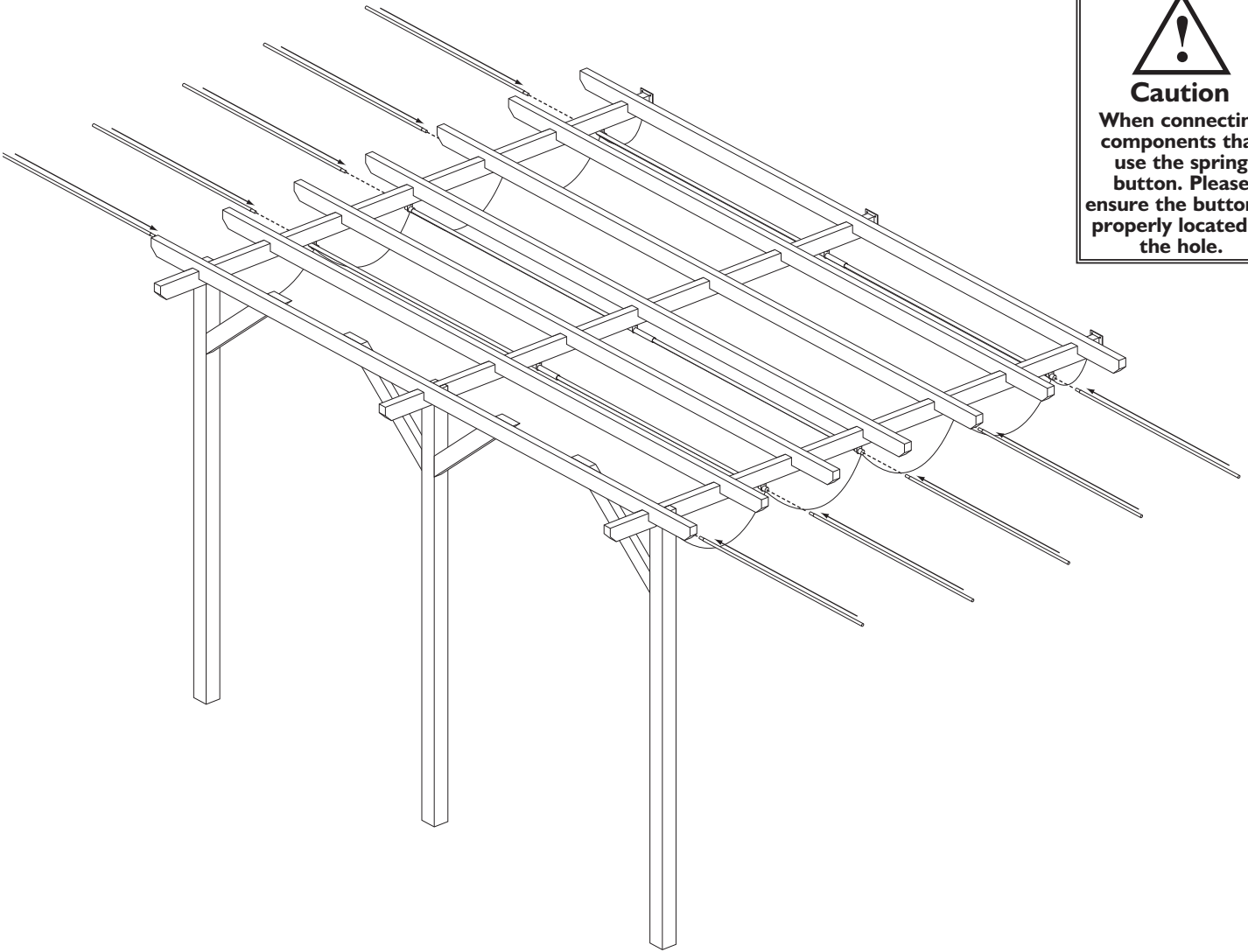
5. Attaching the canopy

Before attaching the canopy very lightly lubricate each of the three tracks with spray lubricant. Wipe away any excess lubricant before proceeding to fit the canopy. Insert the two fixed canopy tubes in the end sleeves of the canopy as shown. Fix these two canopy tubes to the metal brackets on the inside of each track section. Secure the ends of each tube using 1 x 6mm washer and 1 x 30mm bolt.



6. Attaching the polyester canopy to the runners

Push each of the 10 canopy tubes through the tube holders of the runners on the outer tracks, then through the sleeves in the canopy and connect to the centre runners, ensuring that the push button mechanism properly locates to lock components together.



Caution

When connecting components that use the spring button. Please ensure the button is properly located in the hole.

Important Information

- Please ensure that the canopy is erected on a stable, level and sturdy surface.
- Ideally, the canopy should be fixed to a level concrete patio base using appropriate post fixings suitable to hold a 90mm x90mm post. If the canopy is to stand on grass, it is important that the canopy is level in order to ensure a smooth retracting mechanism, and the canopy should be secured into place.
- Please note that this canopy is not designed to be used as a rain shelter, despite the polyester canopy being shower proof.
- We recommend that the polyester canopy be fully retracted when not in use.
- The polyester canopy should be fully removed in anticipation of strong winds and during the winter period.
- The polyester canopy must be completely dry before storage.
- Eyelets in the canvas are drain holes to prevent water collecting and stretching the canvas.

Maintenance

- To clean the polyester canopy, sponge clean using a mild soap and water solution and leave to dry naturally. Do not use bleach, acid or other solvents.
- Do not machine wash.
- Do not tumble dry.

Safety

In order to gain the most from your new canopy, attention should be paid to the following safety precautions:

1. Periodically check bolts and fittings for tightness as they may work loose over time.
2. Please note that the canopy frame is not to be used as a climbing frame.

FIRE PRECAUTIONS

- PLEASE NOTE THAT THE CANOPY IS NOT FIRE RETARDANT AND CAN BURN
- DO NOT USE NAKED FLAMES IN THE VICINITY OF THE CANOPY
- BARBECUES AND/OR PATIO HEATERS SHOULD NOT BE USED EITHER UNDERNEATH OR IN THE VICINITY OF THE CANOPY

If in doubt of any aspect regarding the assembly, use or safety of your canopy please contact us :

Help Line: (Normal Office Hours) 01829 261 121

Email: support@rowgar.co.uk

ROWLINSON GARDEN PRODUCTS LIMITED
Green Lane
Wardle Nr. Nantwich
Cheshire
CW5 6BN
www.rowgar.co.uk

We constantly improve the quality of our products, occasionally the components may differ from the components shown and are only correct at time of printing. We reserve the right to change the specification of our products without prior notice.

2015 © Rowlinson Garden Products Ltd