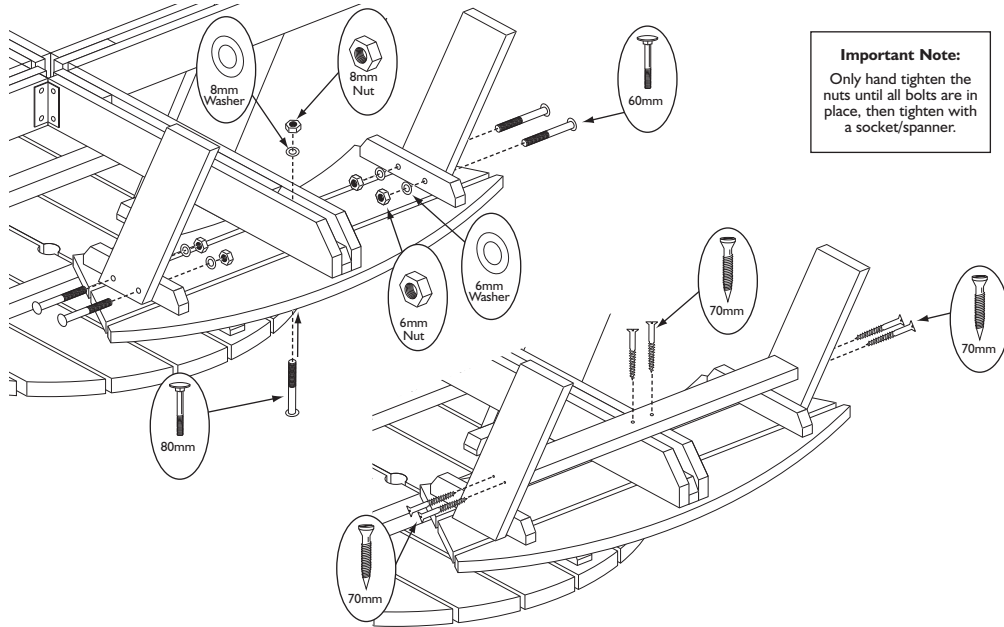


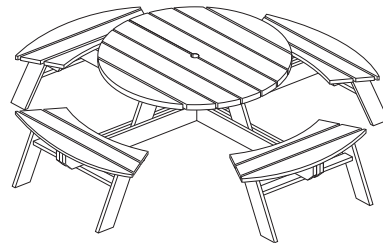
5. Seat legs

Attach two seat legs to each seat as shown using 2 x 60mm bolt per leg. Secure each bolt using a 6mm washer and 6mm nut. Push 1 x 80mm bolt through the hole in the centre of the top of the seat and secure using an 8mm washer and 8mm nut. Position a leg brace between each set of legs. Secure through the pre-drilled holes in the legs into the ends of the brace using 4 x 70mm screws per brace. Secure the brace to the frames using 2 x 70mm screws per brace.



6. Tighten all bolts

To finish the assembly tighten all bolts and turn the table over



Safety information

IMPORTANT, RETAIN FOR FUTURE REFERENCE: READ CAREFULLY

Periodically check all fastenings for tightness

For contract and domestic use

If in doubt of any aspect regarding the assembly, use or safety of your Picnic Bench please contact us :

Help Line: (Normal Office Hours) 01829 261 121

Email: support@rowgar.co.uk

ROWLINSON GARDEN PRODUCTS LIMITED
Green Lane
Wardle Nr. Nantwich
Cheshire
CW5 6BN
www.rowgar.co.uk

We constantly improve the quality of our products, occasionally the components may differ from the components shown and are only correct at time of printing. We reserve the right to change the specification of our products without prior notice.

2015 © Rowlinson Garden Products Ltd

ROWLINSON
GARDEN PRODUCTS

Round Picnic Bench

English SS306B

Assembly Instructions

Before assembly

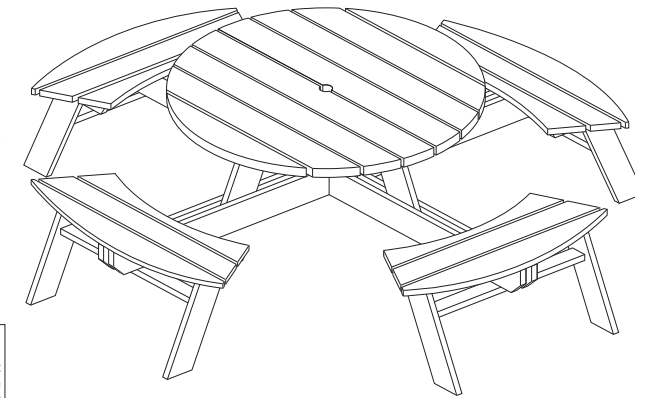
- We recommend that time is taken to read the instructions before starting assembly, then follow the easy step by step guide. The instruction sheet is only a guide to the assembly. Certain items may not be shown to scale.
- Check all components prior to assembly
- This product should be assembled by no less than two people
- Drill all components where indicated



Biocidal Products Regulation EU 528/2012
Wolmanit® CX treated wood is a treated article that incorporates biocidal products: copper hydroxide carbonate/II and boric acid. They protect wood against fungal decay /rot/ and insect attack. Keep away from food, drink and animal feeding stuffs. Avoid breathing dust when cutting treated wood.

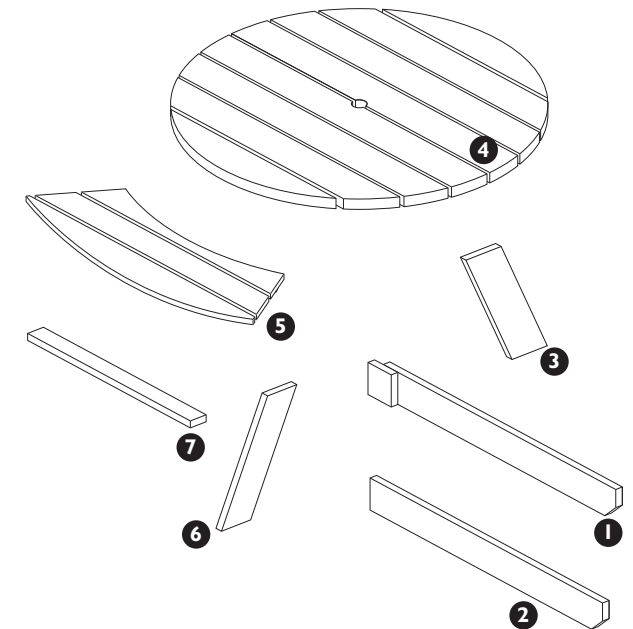
Recommended tools for assembly

- Socket set or spanner
 - 10mm Socket/spanner
 - 13mm Socket/spanner
- Power drill/screwdriver
 - Cross head screwdriver bit



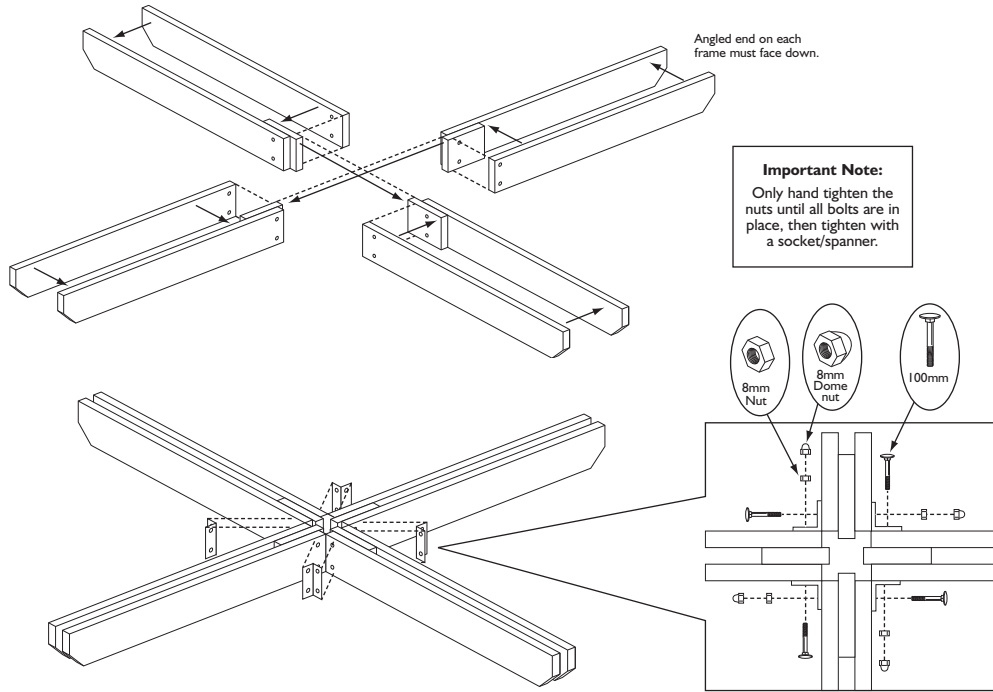
No.	Components	Qty.
1	Frame with centre block	4
2	Frame	4
3	Table top support	4
4	Table top	1
5	Seat	4
6	Seat legs	8
7	Leg brace	4

No.	Fixing kit	Qty.
8	Angle brackets	4
9	100mm (M8) bolt	8
10	90mm (M8) bolt	16
11	80mm (M8) bolt	4
12	60mm (M8) bolt	8
13	60mm (M6) bolt	16
14	8mm dome nut	32
15	8mm nut	12
16	6mm nut	16
17	8mm washer	28
18	6mm washer	16
19	70mm screws	24



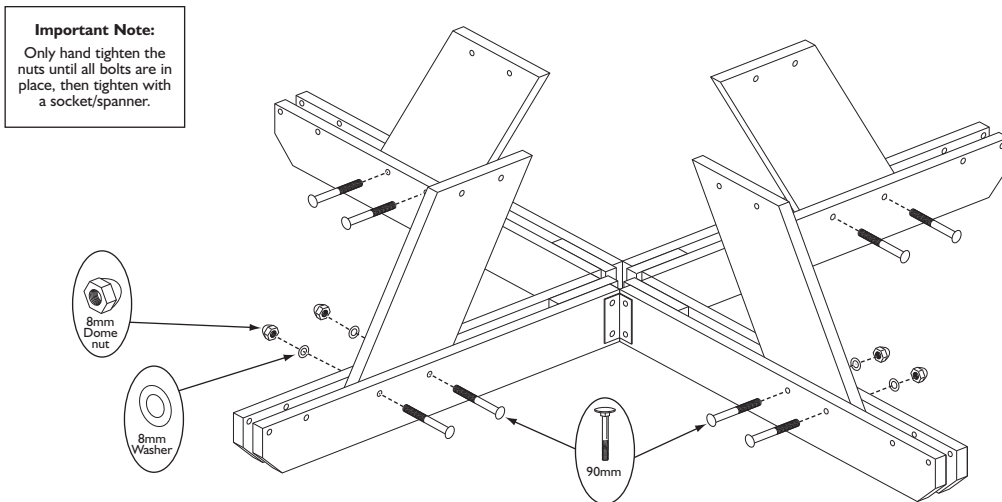
1. Frame assembly

Position the frames as shown. Ensure the angled end of each frame are all facing down. Into each corner position an angle bracket. Using 8 x 100mm bolts, push the bolts first through a bracket then the frames and through the bracket on the other side and secure each one with an 8mm nuts and 8mm dome nut. For ease of assembly only hand tighten the nuts until all bolts are in place.



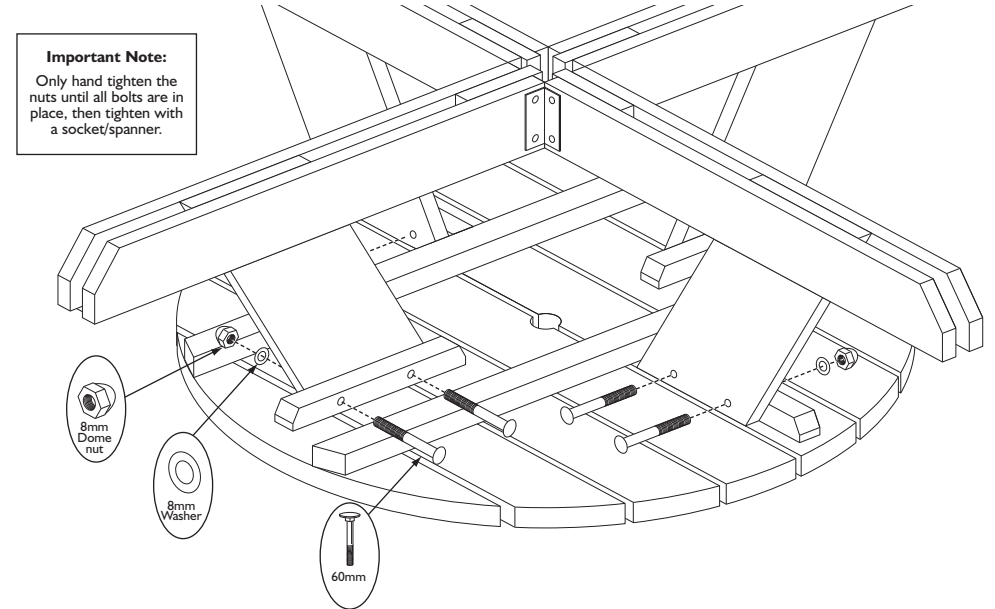
2. Table top supports

Slide a table top support into the centre of each frame, with the top of the leg angled towards the centre of the assembly. Align the holes on the frames with the holes in the legs and secure using 2 x 90mm bolts per support. Push a bolt through each hole, and secure with an 8mm washer and an 8mm dome nut. Only hand tighten the nuts at this stage.



3. Table top

Lay the table top upside down on a soft surface to avoid scratching the top. Turn over the frame and leg assembly and position centrally onto the table top. Secure the table supports to the table using 2 x M8 60mm bolts per leg. Secure each bolt with an 8mm washer and an 8mm dome nut.



4. seats

With the assembly still upside down, attach the four seats. Insert the middle seat bearer between the frames as shown. Align the holes and secure using 2 x 90mm bolts per seat, secure each bolt with an 8mm washer and 8mm dome nut.

