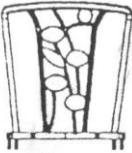
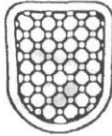


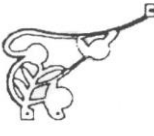
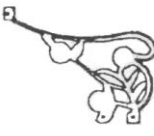


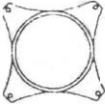








3 PIECE ROSE ARM CHAIR PATIO SET 4176 Bronze and 4267 Gun Metal Grey

PARTS LIST FOR THE CHAIRS:







No. 1	No. 2	No. 3
		
2 X Chair Back	2 x Chair Seat	4 x Front Leg

No. 4	No. 5	No.6
		
4 x Back Leg	2 x Right Arm	2 x Left Arm

No.7	No.8	No.9
		
2 x Chair Brace	16 x Medium nut	8 x large nut

No. 10	No.11	No.12	No.13
			
12 x metal nut	12 x Washer	1 x Plastic Spanner	1 x metal spanner

PARTS LIST FOR THE TABLE:

			
TABLE TOP	TABLE LEG	TABLE CENTRE BRACE	MEDIUM NUT
1 PC	3 PCS	1 PC	6 PCS
			
SMALL NUT	PLASTIC SPANNER		
3 PCS	1 PC		

NOTES TO CUSTOMERS:

- Please check that your parcel contains all the parts listed below.
- Please keep all the packaging for the product until you are satisfied with your purchase as we cannot accept any returned item not in the original packaging.
- For the protection of your furniture we recommend that the product is placed on a protected surface during assembly to prevent any damage.
- Please ensure that you read the instructions before assembling the product.
- Please do not force or over tighten the nuts. If a nut becomes stuck, unscrew it and start again.
- Ensure you have plenty of space to assemble the item in, it is also recommended that you assemble the item close to where it will be kept.

CHAIR ASSEMBLY:

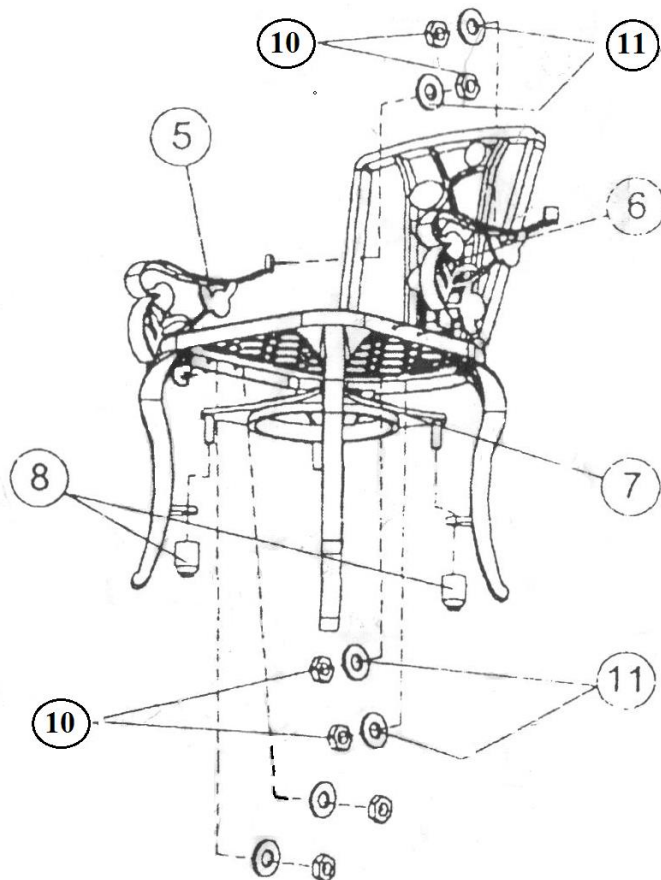
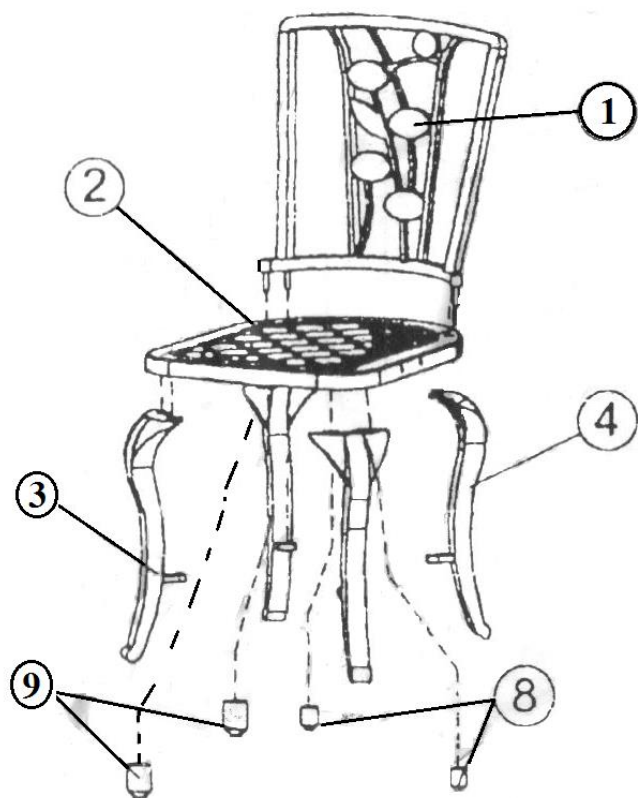
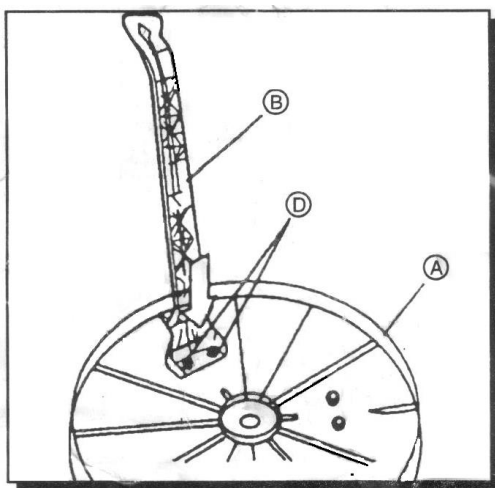
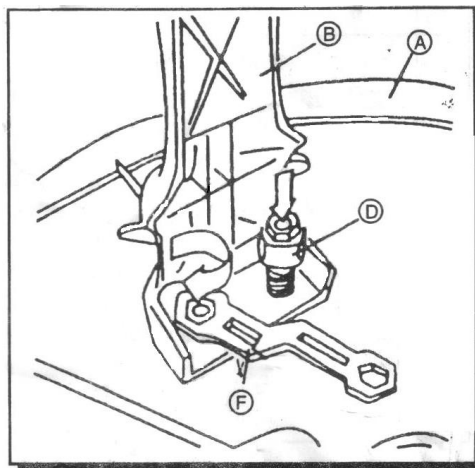


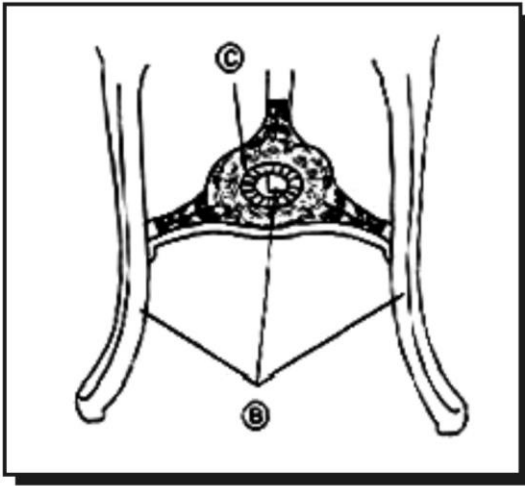
TABLE ASSEMBLY:



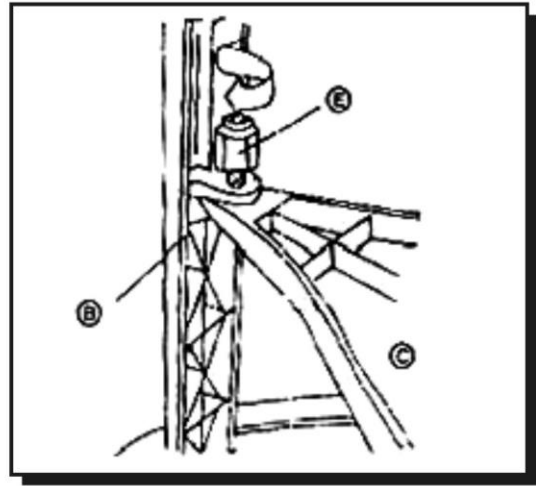
Step1:
Place the table top face down on a clean surface. Fit the three legs onto the appropriate threads.



Step2:
Screw the medium nuts onto the appropriate threads.
Tighten with the plastic spanner



Step 3:
Place the centre brace among the three legs.
Insert the threads through the tabs on each leg



Step 2:
Screw the small nuts onto each of the centre brace threads.
DO NOT FORCE OR THIGHTEN THE NUTS. IF A NUT BECOMES STUCK, UNSCREW IT AND START AGAIN.

CARE AND MAINTENANCE

- This set has been tested for a maximum load of 250lbs static weight only.
- Please ensure that all components are fitted correctly before using either the table or the chair.
- Under no circumstances should you abruptly sit or jump on the chair.
- Do not stand or kneel on the chair.
- Under no circumstances should you sit, stand or jump on the table.
- Please check all the assembly work before you sit on the chair.
- Make sure all the screws and bolts are tightened properly.
- Periodically check all fixings to ensure they remain secure.
- Prolonged exposure to the elements will inevitably lead to weathering – store away indoors throughout winter to preserve appearance.
- Do not leave the furniture out in excessively windy conditions as the furniture is light and may blow away.
- Clean using a mild detergent – do not use abrasive cleaners
- When sitting in the chairs do not lean back and put excessive pressure on the back rest.
- Keep all four chair legs on the floor when using the chair.

CUSTOMER SERVICE

For further advise, customer care or request for spare parts please contact our customer service department on (01562 753040)

GABLEMERE LTD. DY11 7FB