

 Protect · a · cycle[®]

ASSEMBLY INSTRUCTIONS



IMPORTANT ATTENTION

- A Before commencing assembly check parts in box with illustrations on components page and thoroughly read the assembly instructions.
- B These products must be secured to a hard concrete base (see Step 1).
- C Extra care should be taken to avoid cuts and abrasions from exposed edges during assembly. We strongly recommend the use of protective gloves.
- D We recommend that two people work on the assembly.
- E Precautions should be taken when storage units are being used in exposed areas subject to high wind speeds. In these circumstances the products should be locked and care should be taken if they are to be opened to avoid damage. Please ensure that children are always supervised when using this product
- F For additional weatherproofing we recommend the use of a mastic type sealant that can be used to create a seal between panels.
- G In the unlikely event that this product has been delivered damaged, there are any parts not included or you are having difficulties with assembly please contact Trimetals direct NOT THE RETAILER. We will endeavour to correct any problems as quickly as possible.

HELP LINE:

Tel: +44(0)1258 459441
Fax: +44(0)1258 480408


ASSEMBLY INSTRUCTIONS (to be read in conjunction with illustrations)

FOR FASTER ASSEMBLY WE RECOMMEND THE USE OF AN ELECTRIC SCREWDRIVER

STEP 1

- For ease of assembly we recommend that the base be assembled on a flat surface and care must be taken to ensure the base is square before the fasteners are fully tightened. Check squareness by measuring from corner to diagonal corner - and then repeat for the other side - the measurements should be the same.
- The product is designed to be bolted down onto a flat and level concrete base with a recommended thickness of 100mm (4"). The concrete used must be of a grade offering compatible resistance to attack.

STEP 2

- From now on all fasteners should be loosely fixed. Do not fully tighten them until you are told to do so.
- **When you see the Red Spanner icon tighten indicated fasteners.** 
- All bolts on this page are part 14 and all nuts are part 36.

STEP 3

- Remember to only loosely fix the fasteners until you are told to tighten them.
- Be sure to place part 34 the correct way round - see small detailed diagram.

STEP 4

- See illustration

STEP 5

- See illustration

STEP 6

- All bolts on this page are part 14 and all nuts are part 36.
- Make sure part 20 (top back panel) is inserted into top rail (part 34) as illustrated.

STEP 7

- The left hand link arm part 12L (which is marked by a circle of coloured tape) must be fitted to the left hand side of the unit as shown in the diagram.
- Identify part 12L and feed one washer (part 13) onto it followed by a link arm bracket (part 11). Push both round until they are on the length of tube that has two holes pierced through it and so that the raised end of the bracket (part 11) will be facing away from the unit when attached. Feed the link arm (part 12L) through the hole in the left hand side panel (part 4L) from the outside and then through the side panel stiffener located on the inside of the side panel (part 4L) then feed another washer (13) onto the link arm (part 12L) from the inside and secure the assembly with two clips (part 19) through the two holes provided in the link arm (12L), one on the outside of the unit and one on the inside. Secure the link arm bracket (part 11) with parts 14 and 36.
- Repeat the above procedure to attach the right hand link arm (part 12R).
- In stage 7d make sure the hook on part 16 is facing the side panel (part 4) and do not over tighten the nut (part 35) at any time as the spring lever (part 16) must move freely.

STEP 8

- Slide part 9 into the top rail (part 34) and secure with the end stop (part 23) and thread forming screw (part 17).

STEP 9

- Note that part 27 is placed on the back of door panel.
- The torsion bar (part 25) should already be in place at the back of the door.
- Push the left hand link arm (12L) through the hole in the side of the door panel (part 9) and into the torsion bar (part 25), repeat this on the right hand side and twist the bar to line up with the holes (either end) in the link arms then screw in the thread forming screws (part 17) to secure. Do not close the door until these screws are fully tightened.
- Identify the weatherstrip (part 22) and apply to side panels (part 4) along both the top and front edges. Strip the backing off a little at a time and starting at the top of the side panel butt the strip up against the top rail (part 34) and stick along the top edge of the side panel down to the plastic corner moulding. Cut weatherstrip (part 22) and continue from below the corner moulding down to the front base section. Repeat for the other side.
- Both springs (part 18) are identical; one hooks upwards and the other hooks downwards.
- Note that as fastener packs are standard for all units you may have some fasteners spare after completion of assembly.

STEP 10

- Completed assembly view

STEP 11

- Move the assembled unit on top of the concrete base (using two people) and use a pencil to mark the position of the four holes in the product's base (two holes in each of the long bases). Carefully move the unit to one side as you will now need to drill the holes you have marked on the concrete. Firstly drill holes (always wear goggles) with a 10mm ø masonry drill to a depth of 10mm then re-drill the holes with a 14mm ø masonry drill to a depth of 70mm. Vacuum the dust from the holes.
- Select the four M8 anchor bolts (these are gold in colour) and unscrew the bolts from their expanding anchors. Place the bolts (with washers) to one side and then firmly push the four anchors into the holes you have drilled.

STEP 12

- Carefully move the unit back into place lining up the holes in the base with those you have drilled. Place the right hand metal base inside the unit as shown (make sure that the two large holes punched in the metal floor are toward the front of the unit as this is where the ground anchor will be placed).
- Place the left hand metal base inside the unit (again with the two large holes nearest the front of the unit) then move both floors so the four holes on the long edges line up with the holes you have drilled in the concrete (the metal floors will overlap slightly).

STEP 13

- Select the four M8 bolts (with washers) and place them through the metal floors and down through the base then screw into the expanding anchors. Using a spanner tighten the bolts (it is recommended that you tighten each bolt evenly in turn until all are as tight as possible to ensure the base lays flat).

STEP 14

- You now need to drill through the center of the two large holes in the metal bases (always wear goggles). Use a 12mm ø masonry drill go down to a depth of 10mm then re-drill holes using a 16mm ø masonry drill to a depth of 75mm. Vacuum the dust from the holes. Unscrew the two bolts from the expanding anchors and place the bolts through the ground anchor then reattach the anchors on the other side by a few turns. Place the ground anchor over the metal base and align with your drilled holes. Push the two M10 anchor bolts through the ground anchor into the holes then use the Allen key provided to fully tighten evenly. Place the steel ball bearings on top of the two socket heads and hammer into place (this prevents the bolts from being undone).

STEP 15

- The security cable is then used to secure your bike(s) to the ground anchor. Place the cable through both the frame and wheel of the bike(s) for increased security.

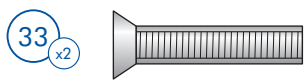
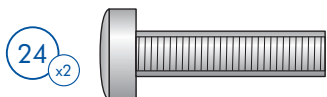
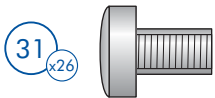
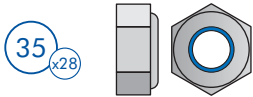
STEP 16

- With the door held open measure in 250mm from the side of the door (on the inside) and place the hasp centrally on this point. Hold the hasp against the bottom section of the door (on the inside) and keeping it level mark where the two holes are to be drilled. Remove the hasp and drill carefully through the part of the section you have marked (with the drill bit provided). Drill through the section on the back of the door – do not drill through the door itself.
- Secure the hasp in position using the bolts and locknuts provided as shown above (make sure you place the backplate in position).
- Close the door and hold the staple against the base. Line the staple up centrally with the hole in the hasp and mark the four holes. Remove the staple and drill through the base using these four holes as a guide.
- Secure the staple as shown (make sure you place the backplate in position). Repeat for other side.

Should you have any problems then please ring our helpline: 01258 459441.

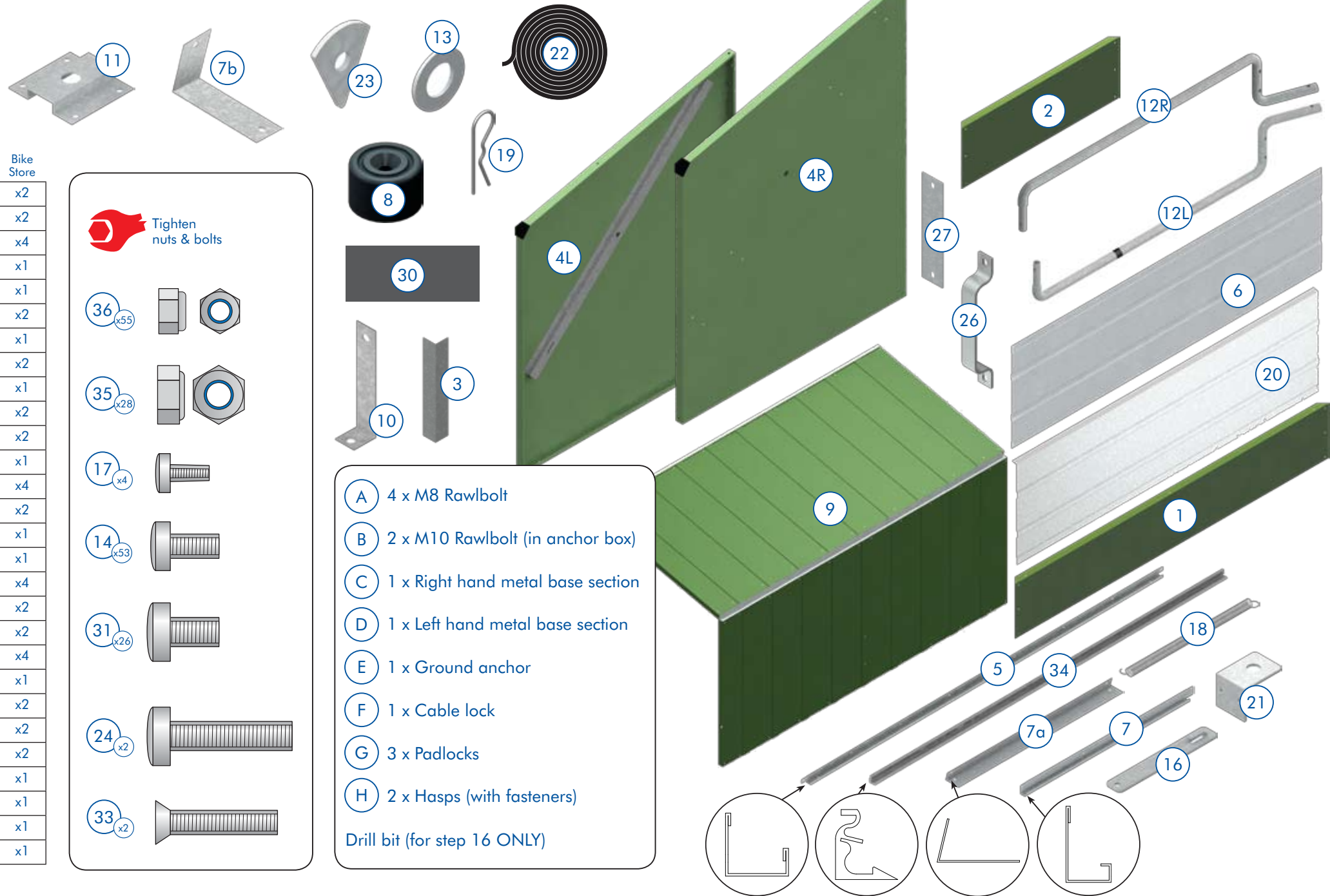
Part No	Bike Store
1	x2
2	x2
3	x4
4L	x1
4R	x1
5	x2
6	x1
7	x2
7a	x1
7b	x2
8	x2
9	x1
10	x4
11	x2
12L	x1
12R	x1
13	x4
16	x2
18	x2
19	x4
20	x1
21	x2
22	x2
23	x2
26	x1
27	x1
30	x1
34	x1

 Tighten nuts & bolts

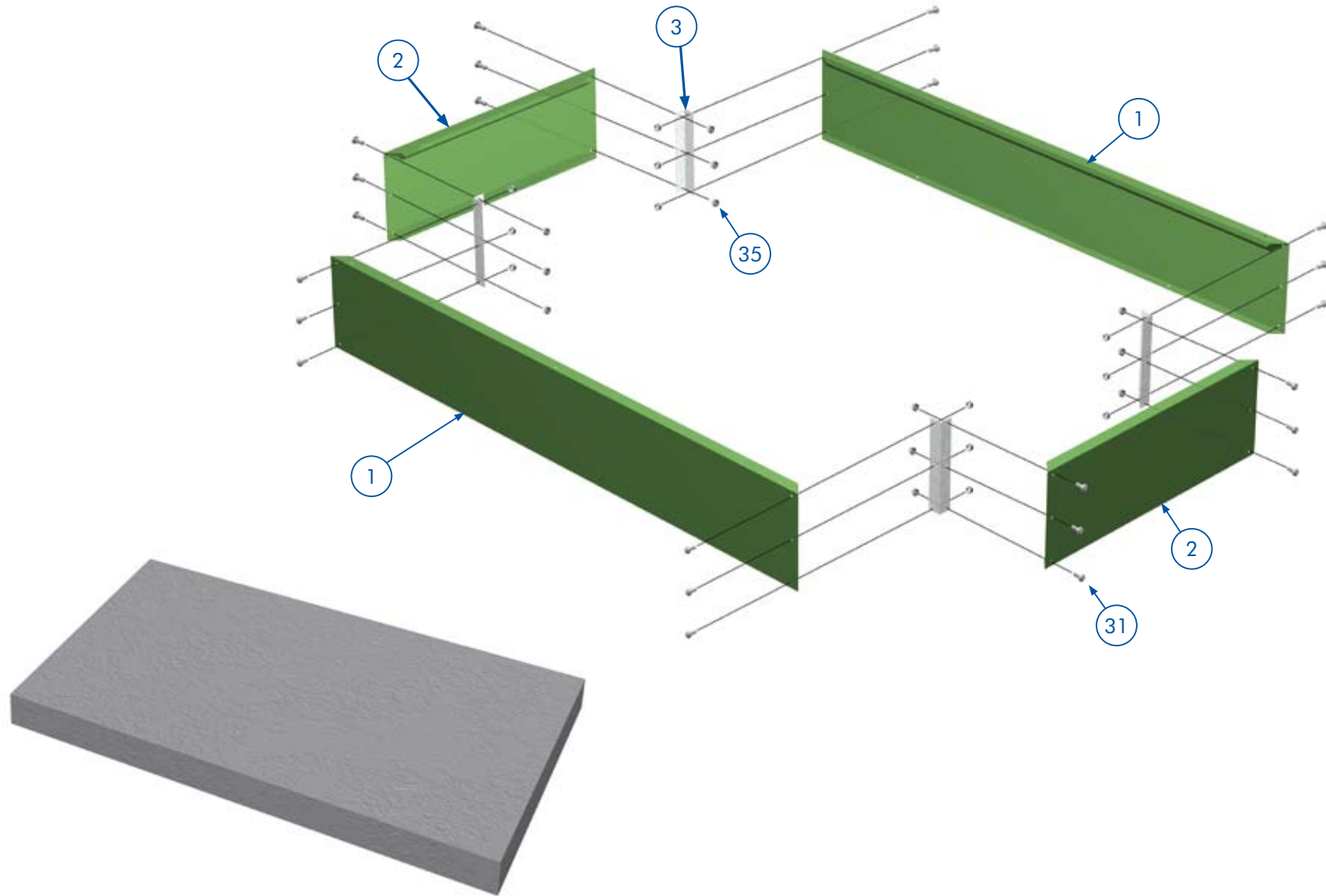


- (A) 4 x M8 Rawlbolt
- (B) 2 x M10 Rawlbolt (in anchor box)
- (C) 1 x Right hand metal base section
- (D) 1 x Left hand metal base section
- (E) 1 x Ground anchor
- (F) 1 x Cable lock
- (G) 3 x Padlocks
- (H) 2 x Hasps (with fasteners)

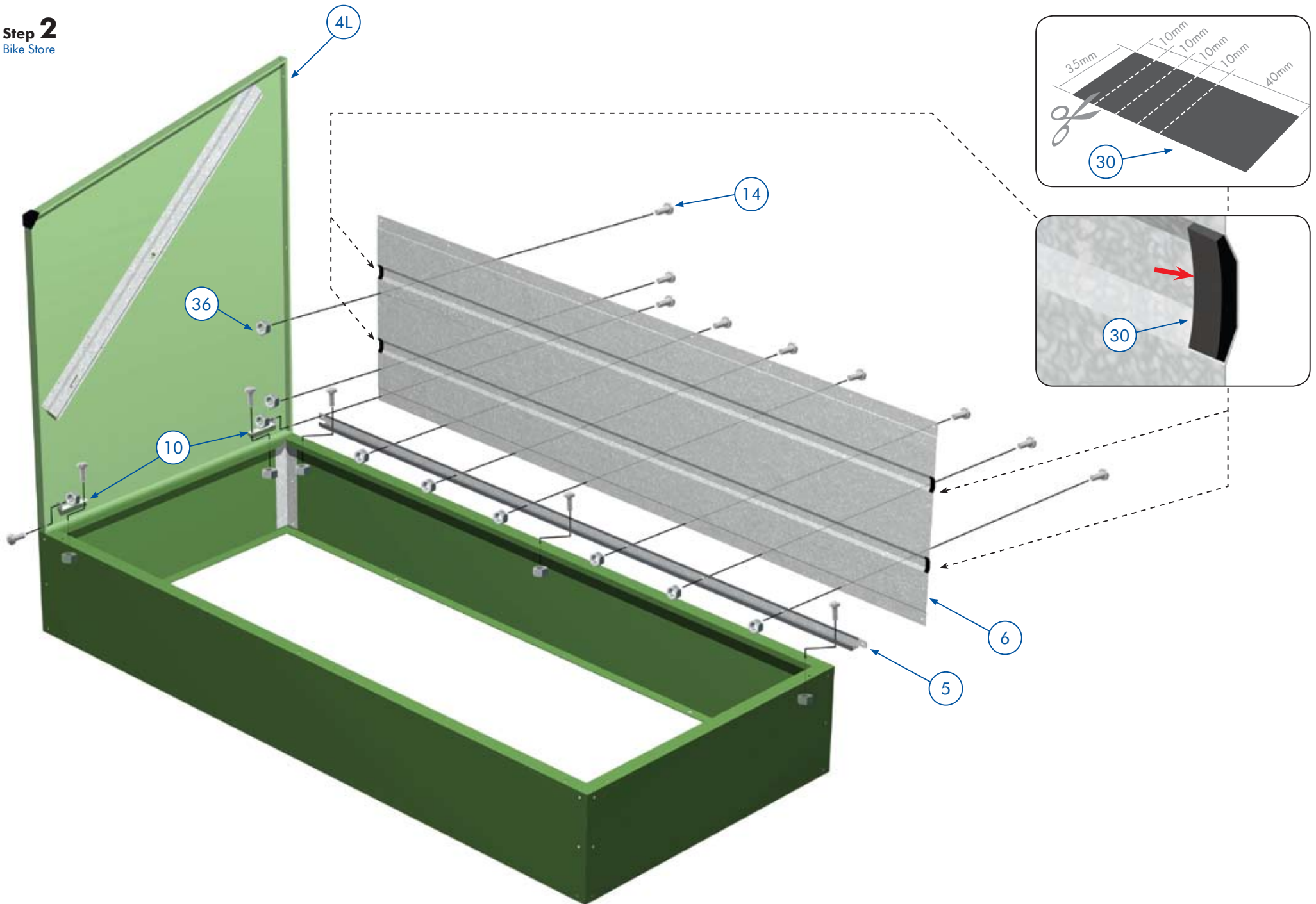
Drill bit (for step 16 ONLY)



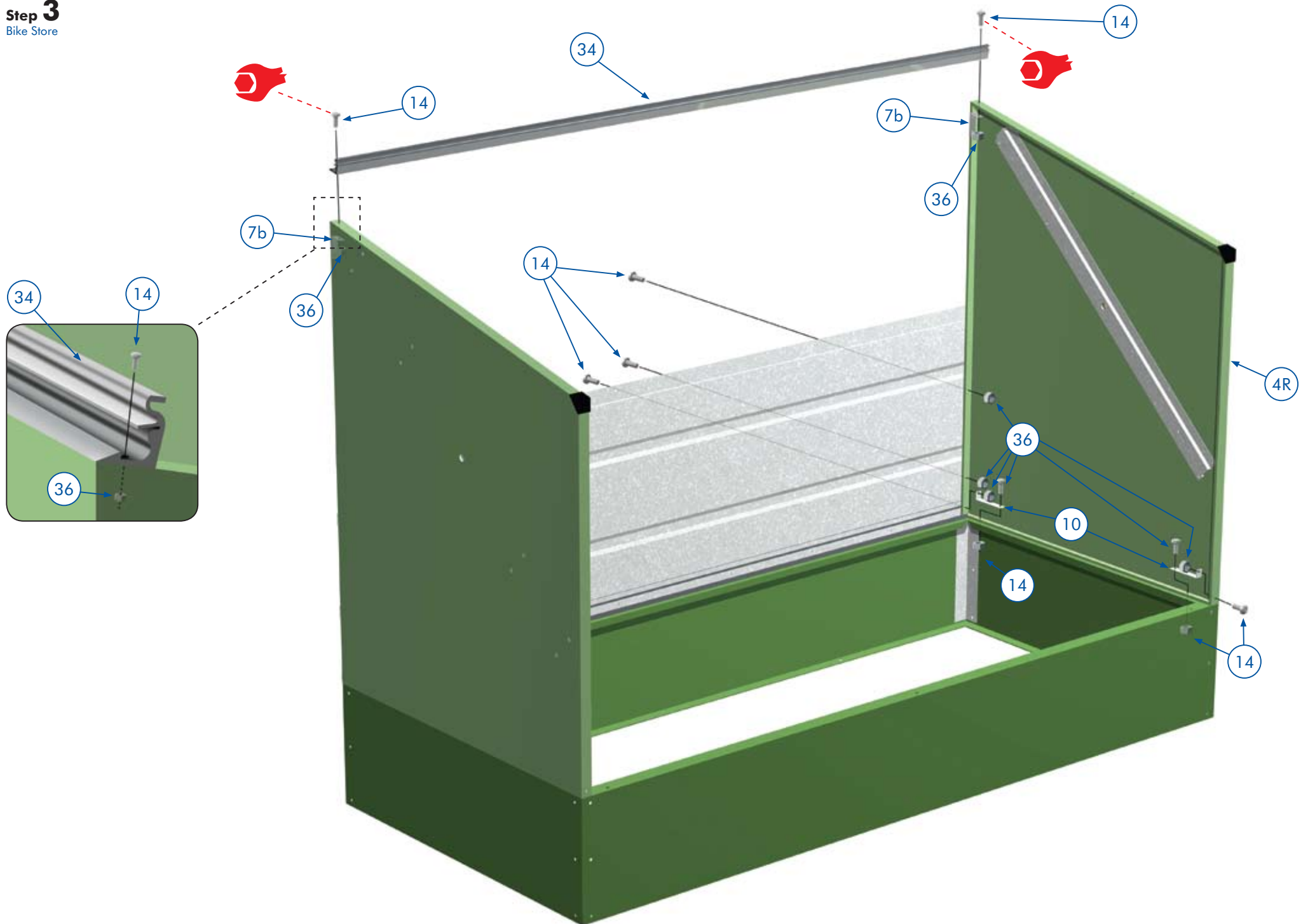
Step 1
Bike store



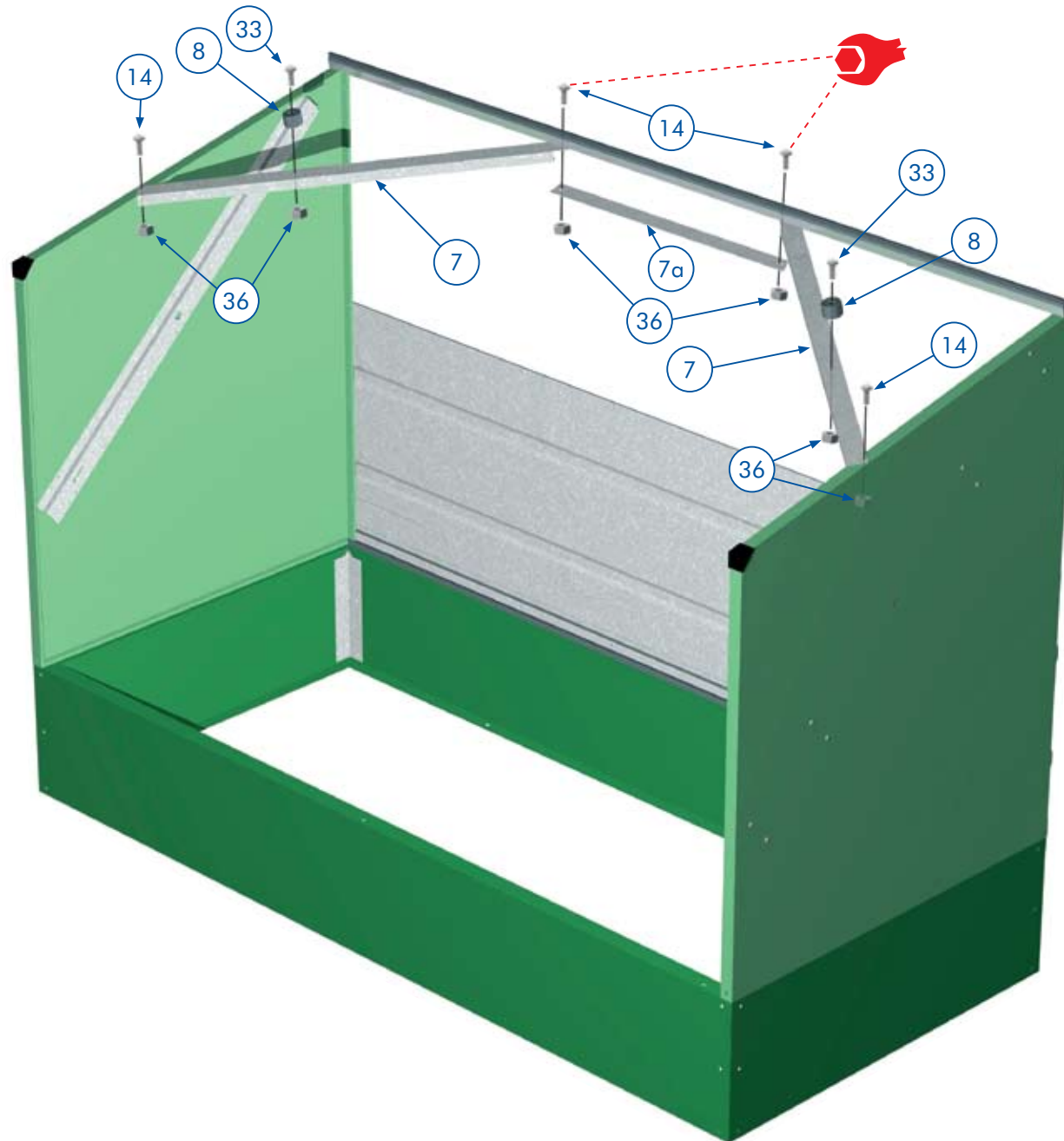
Step 2
Bike Store



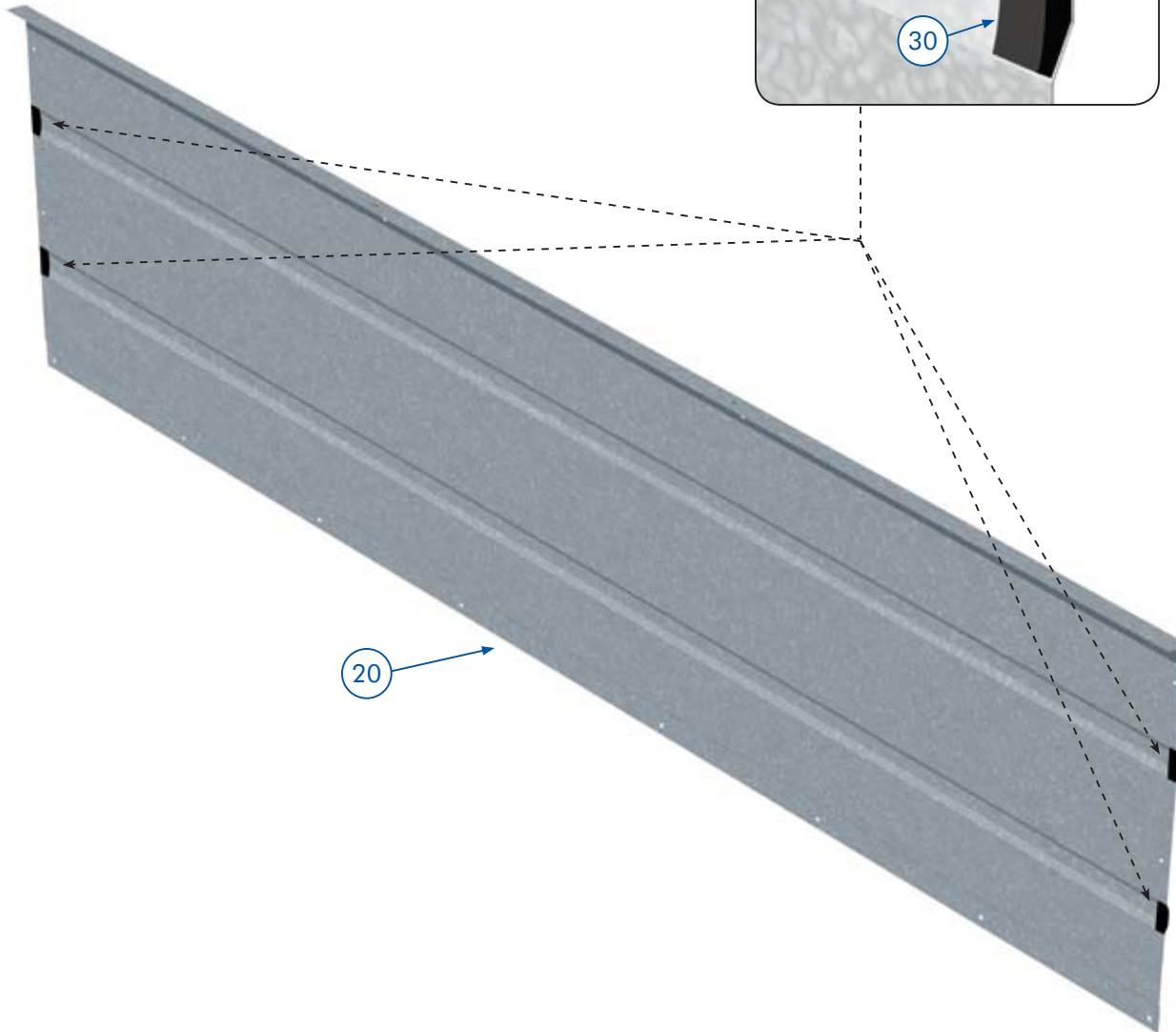
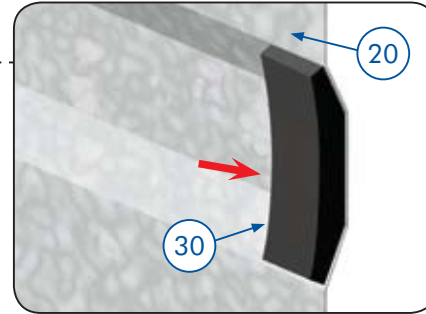
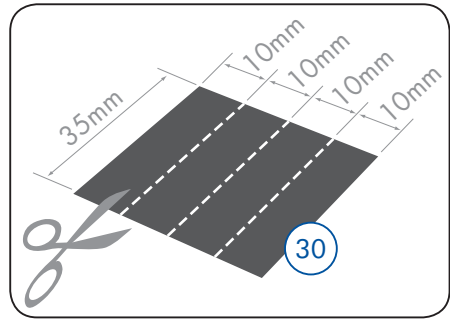
Step 3
Bike Store



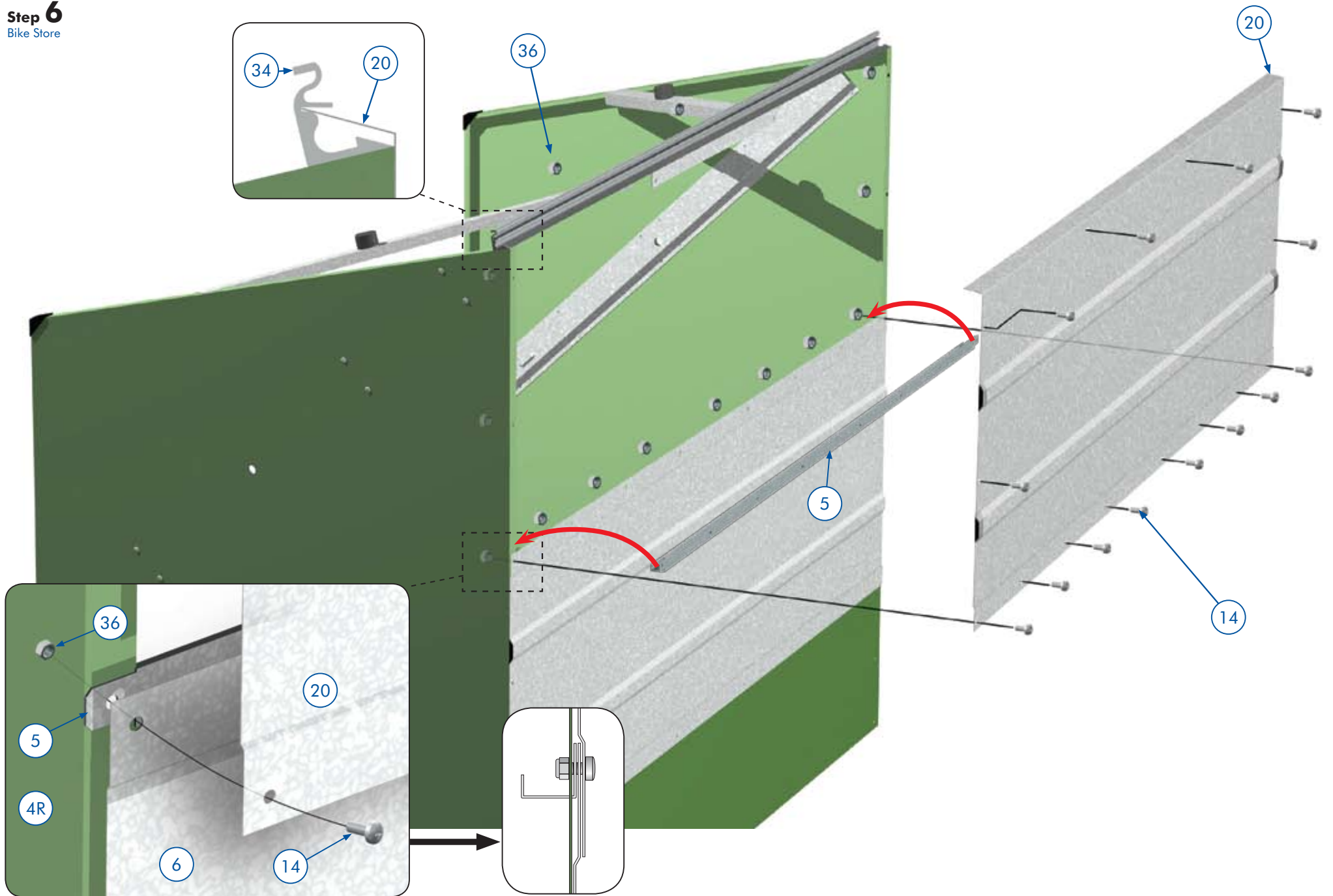
Step 4
Bike Store



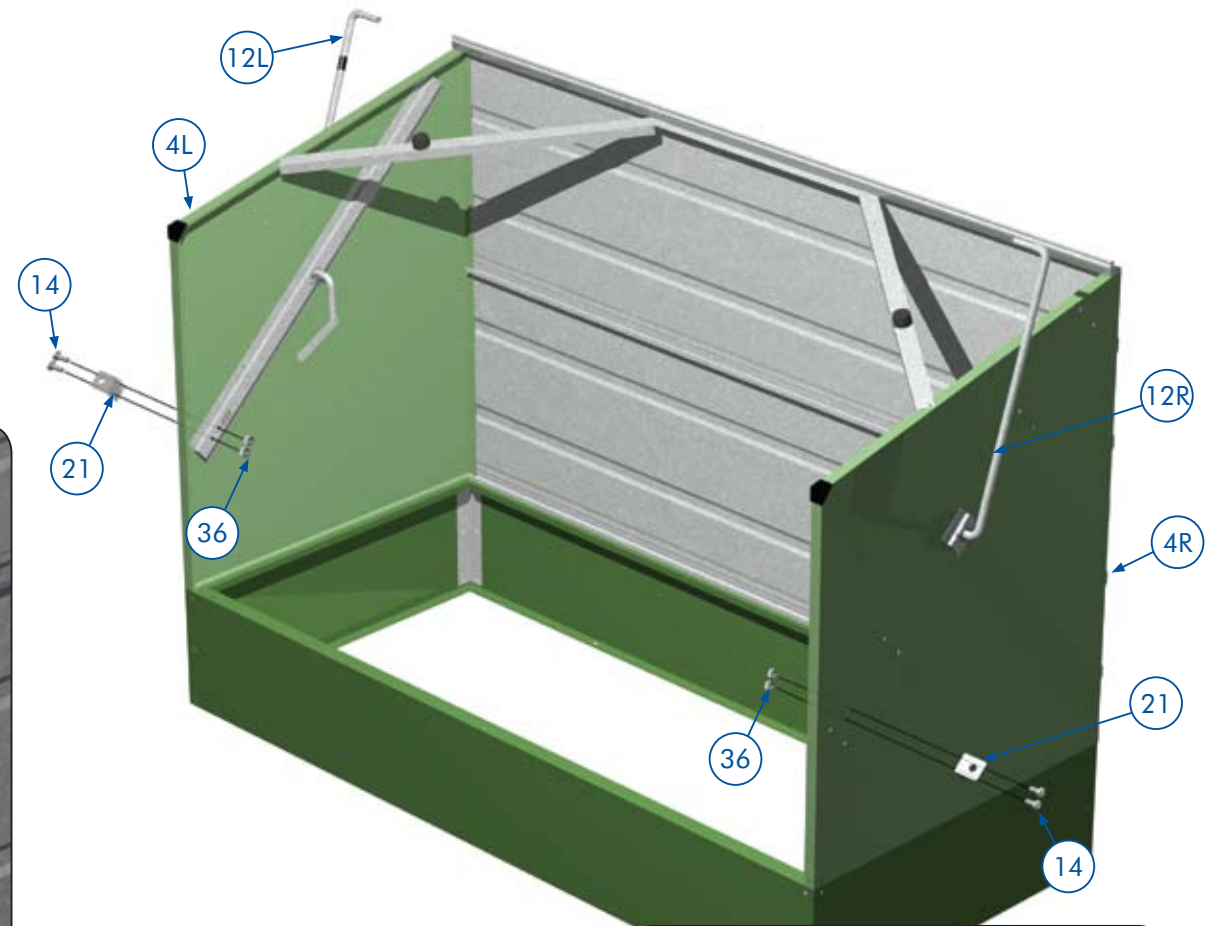
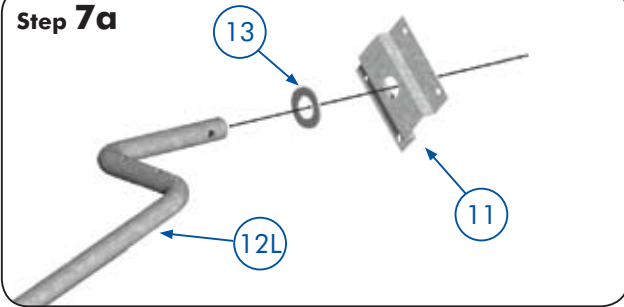
Step 5
Bike Store



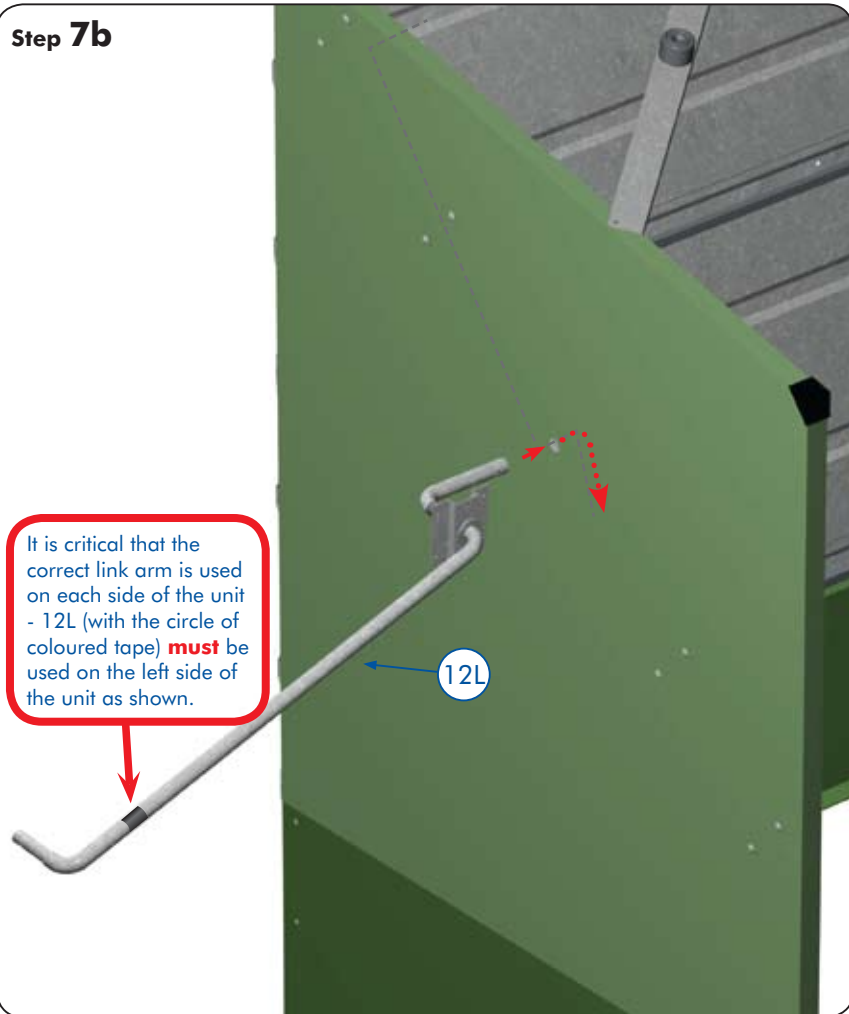
Step 6
Bike Store



Step 7a

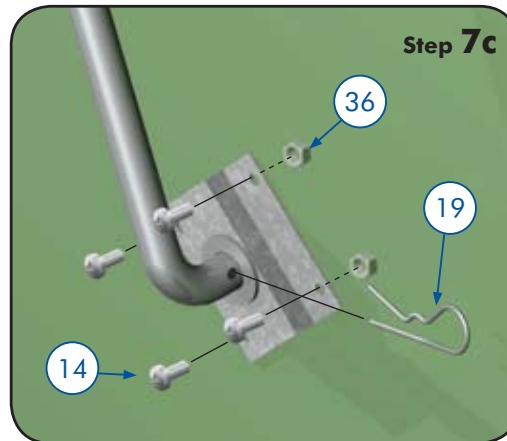


Step 7b

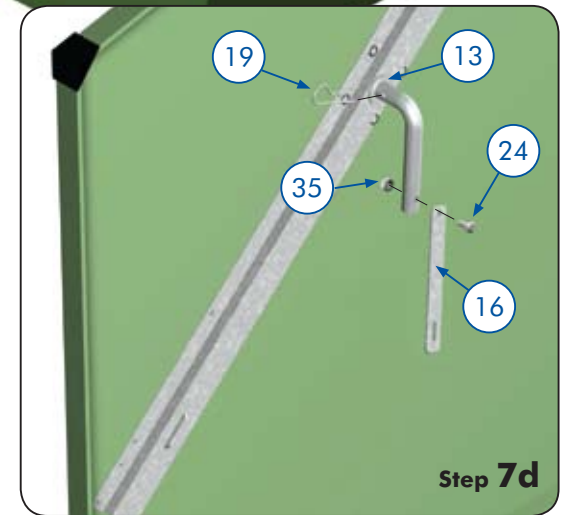


It is critical that the correct link arm is used on each side of the unit - 12L (with the circle of coloured tape) **must** be used on the left side of the unit as shown.

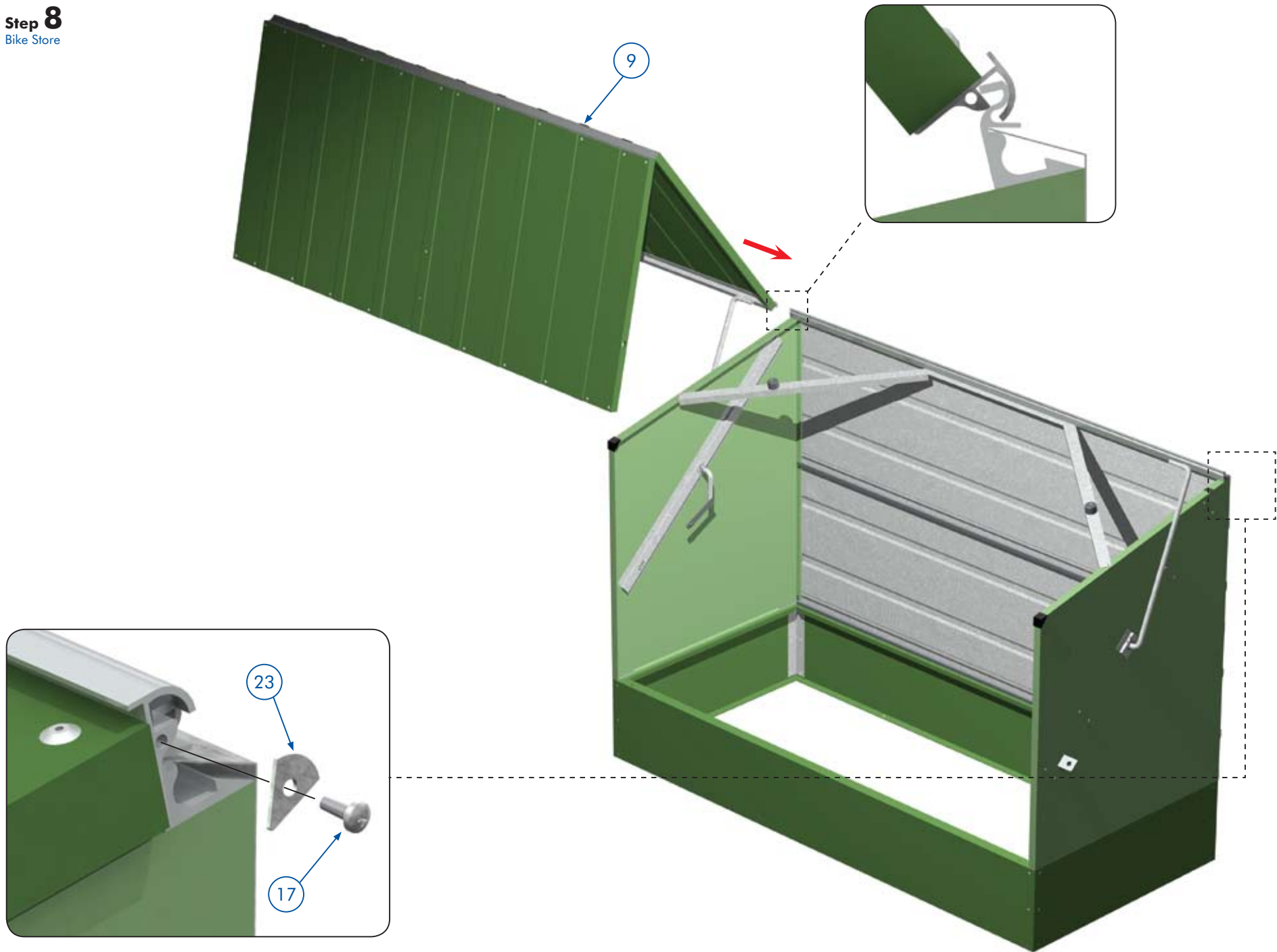
Step 7c

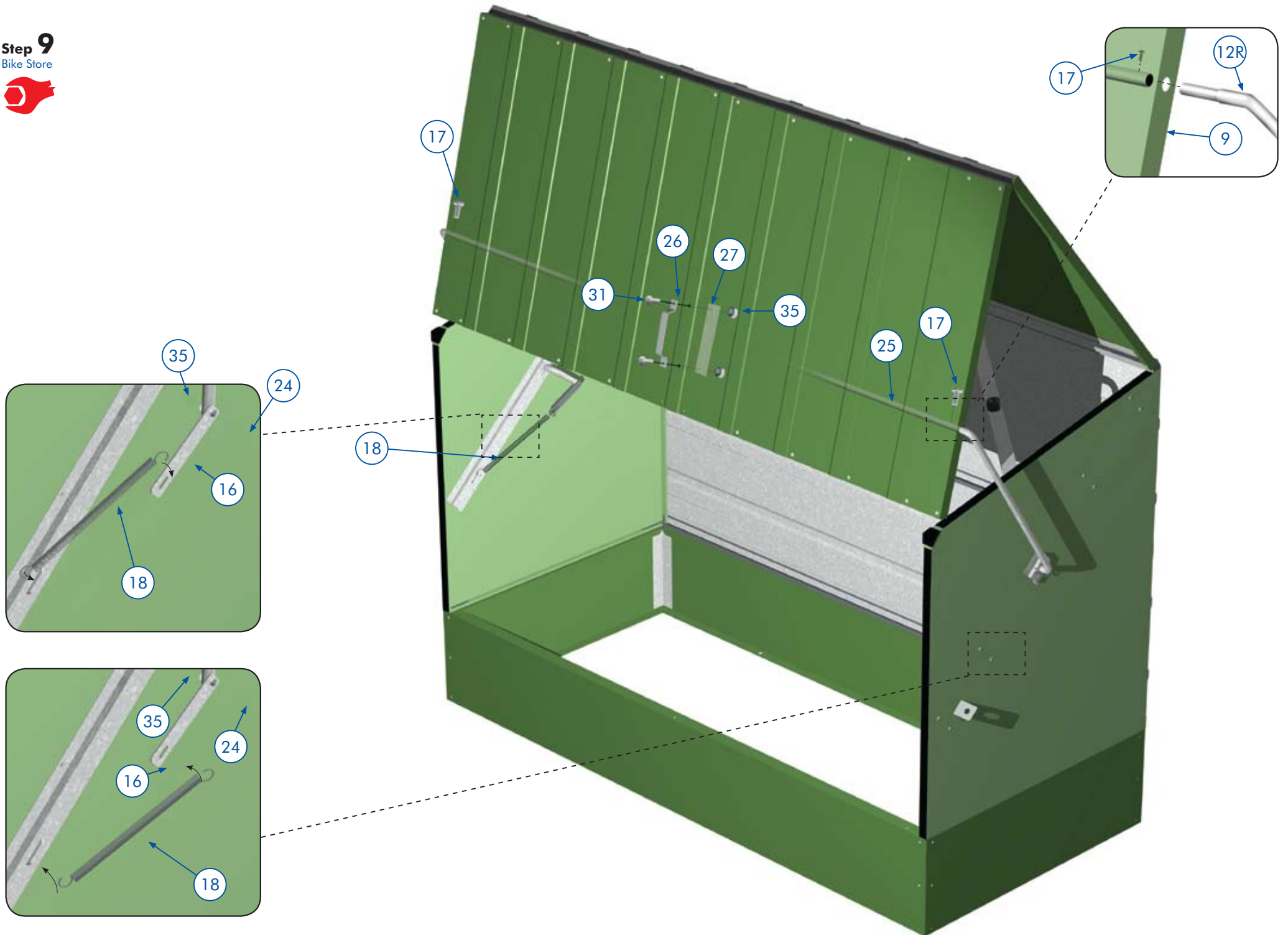


Step 7d



Step 8
Bike Store

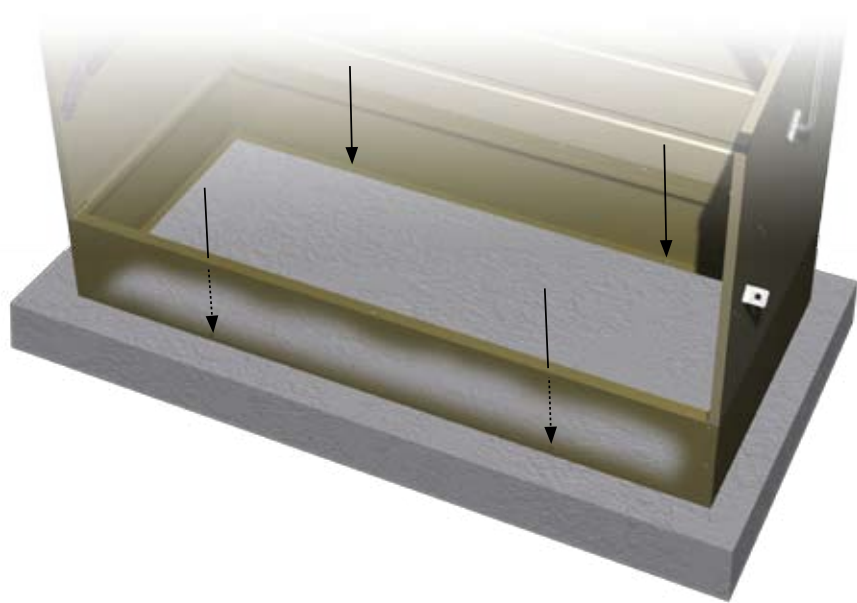




Step 10
Bike Store



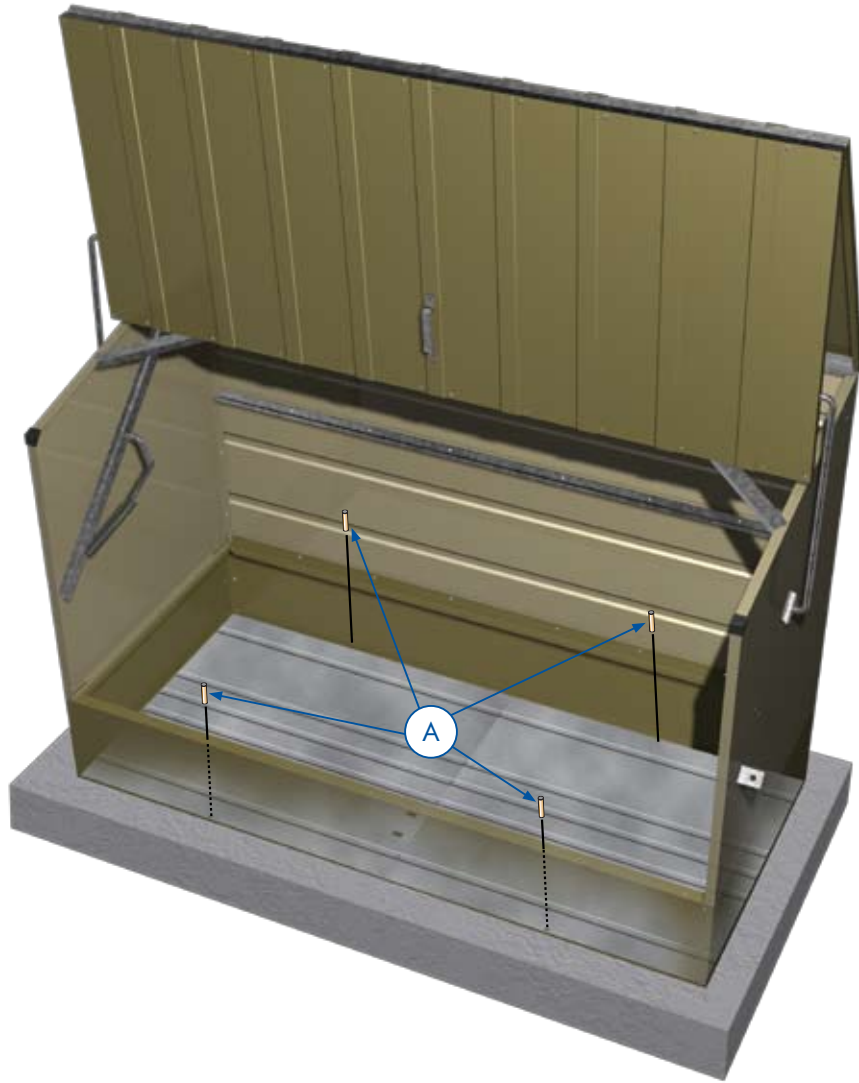
Step 11
Bike Store



Step 12
Bike Store



Step 13
Bike Store

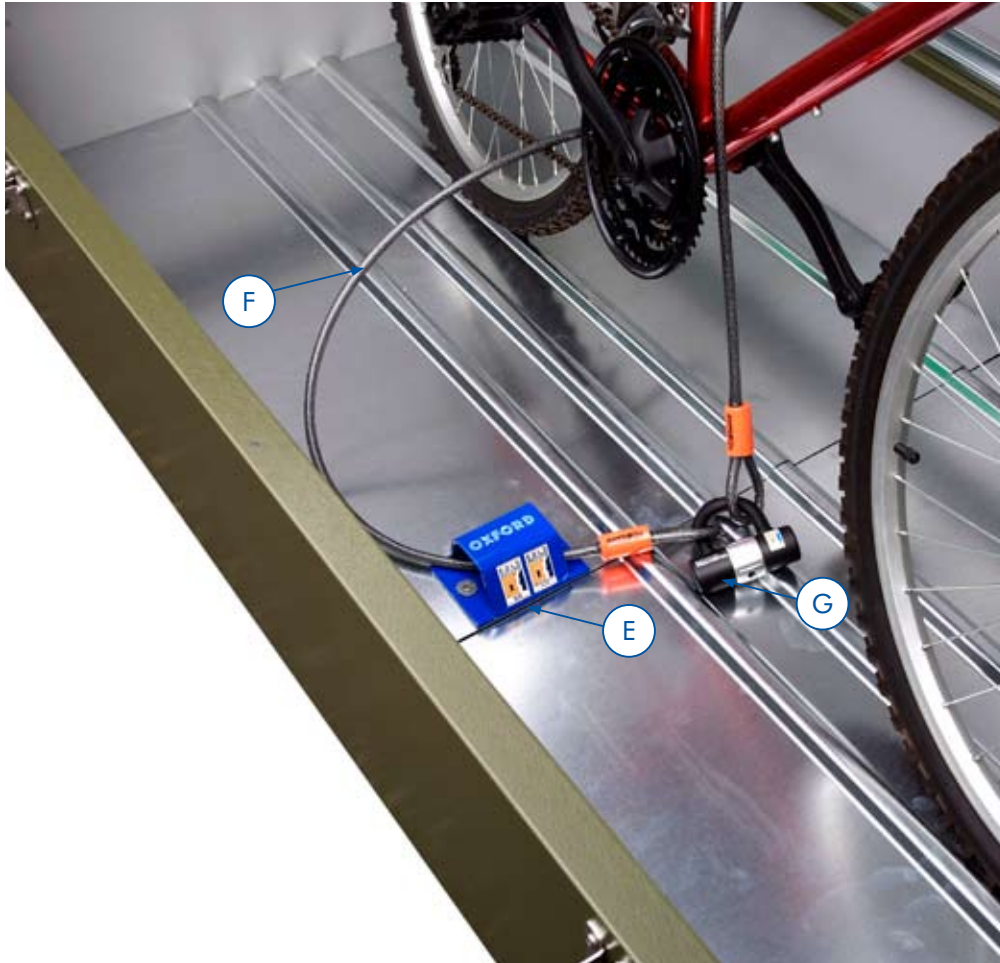


Step 14
Bike Store



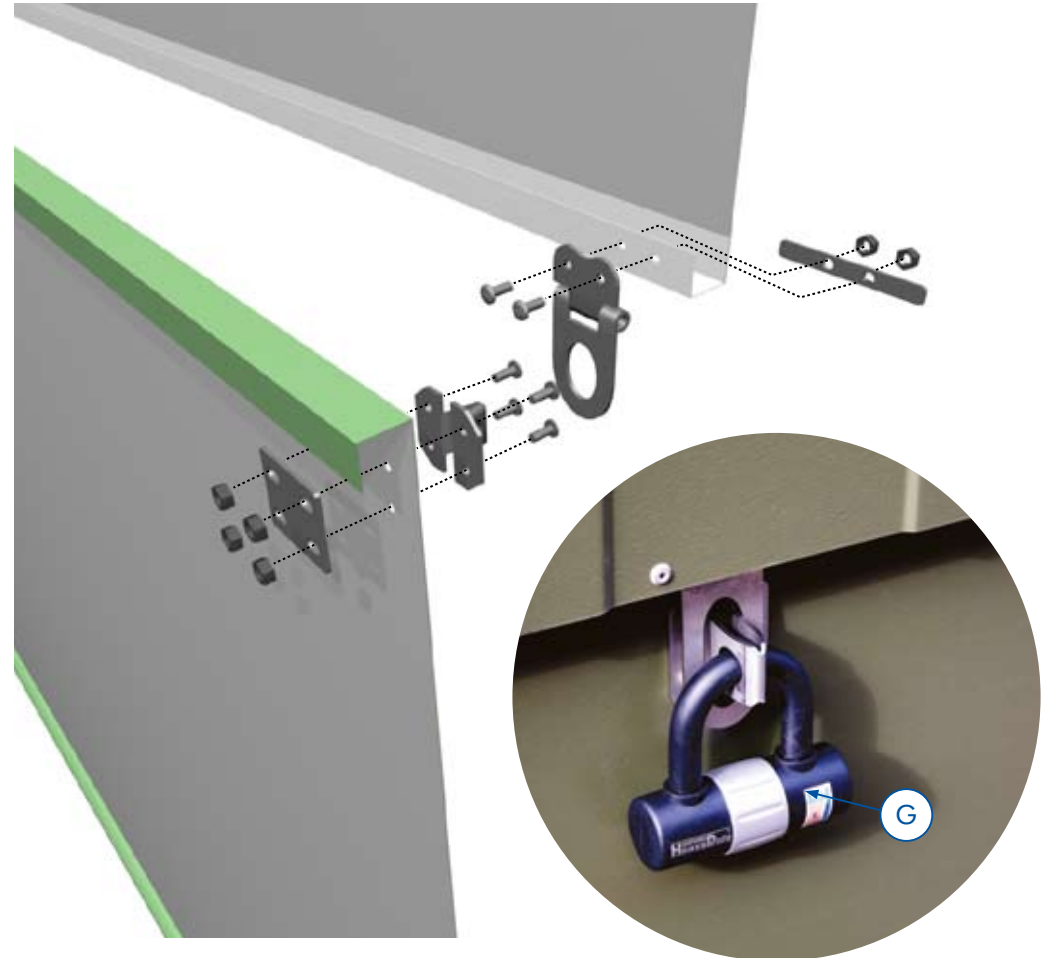
Step 15

Bike Store



Step 16

Bike Store



GUARANTEE

EXCLUSIONS

Trimetals Ltd will not be liable under the Guarantee for:

- 1.1 Explosion, Fire Lightning, Theft and those other perils normally provided by household contents insurance.
 - 1.2 Accidental damage including scratching, bruising or denting or from the direct application of a tool.
 - 1.3 Mishandling or neglect by the Registration Holder or any member of his family, household or staff or use of the product not in accordance with the manufacturer's instructions.
 - 1.4 Failure of the Registration Holder to maintain or service the product in accordance with the manufacturer's instructions.
 - 1.5 Spillage of chemicals or hazardous substances causing erosion or discolouration of parts, or storage of items that are not done in accordance with the manufacturer's written instructions and normal laid down codes of practice.
 - 1.6 War, Civil War, Hostilities (whether war declared or not), riots, strikes or civil commotion.
 - 1.7 Ionising radiations, the hazardous properties of nuclear material or sonic bangs.
 - 1.8 All fixings and fasteners.
-
- 2 Normal wear and tear, the cost of routine maintenance, adjustments or modifications or loss or damage arising therefrom.
 - 3 Loss of use of the appliance or consequential loss of any nature.
 - 4 The cost of materials and labour charges for which any manufacturer, supplier or any other person may be held responsible under the terms of the Sale of Goods Act or any Guarantee or Warranty.
 - 5 Cost incurred outside the United Kingdom.
 - 6 If the goods have been signed for as being received in good condition.

CONDITIONS

- 1 In the event of failure of the product Trimetals Ltd or their agents may at their option repair or replace the defective part(s) or pay in cash for the cost of repair excluding labour and transport charges. In the event of the product as a result of failure being deemed beyond economic repair Trimetals Ltd will pay the market value of the product immediately prior to breakdown.
- 2 Trimetals Ltd shall in no case be bound to accept notice of any transfer of interest and nothing contained in our Guarantee shall give any rights against Trimetals Ltd to any other person than the original Registration Holder who shall be a private individual.
- 3 At the request of Trimetals Ltd the Registration Holder shall do and concur in doing all such acts and things as Trimetals Ltd may reasonably require with a view to obtaining compensation for failure covered by this guarantee and to enforce any rights that the Registration Holder may have against anyone in respect of any failure whether or not payment has been made by Trimetals Ltd.
- 4 The Certificate of Registration will be rendered void in the event of the Certificate Holder's fraud, non-disclosure, alteration of risk or any attempt threat, or the use of the product other than normal domestic purposes.
- 5 These conditions in no way affect your statutory rights.
- 6 Terms and Conditions are governed by English law and you submit to the non-exclusive jurisdiction of the English Court.

CLAIMS PROCEDURE

In the event of damage contact Trimetals Ltd on +44 (0)1258 459441. Please have the Model and Serial numbers available when you call plus the details of your registration card and copy of payment receipt. You will then be advised of the procedure in your area.

Trimetals has been established for 40 years and is firmly placed as Europe's leading producer of quality metal storage buildings and metal garden sheds.

The unique designs which maximise strength and rigidity are unmatched by any other manufacturer and our 25 year panel guarantee is your assurance that our range of buildings are the very best available.

Please do not confuse our products with cheap and flimsy substitutes or plastic alternatives. Our buildings are strong, secure, fire resistant and maintenance free, giving you real value for money. We pride ourselves in our reputation for superior products and are sure you will be completely satisfied with any product in our extensive range.

www.protectacycle.co.uk



Sunrise Business Park, Higher Shaftesbury Road,
Blandford Forum, Dorset, DT11 8ST. UK

Tel: +44(0)1258 459441
Fax: +44(0)1258 480408
Email: trimetals@btconnect.com
Web: www.trimetals.co.uk