

Power

Decking Instructions

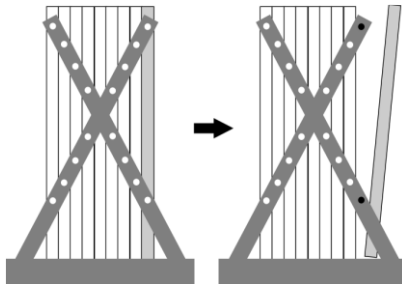
WARNING

UNPACKING SAFELY

Please follow these instructions to unpack your decking kit safely



- Two people minimum to unpack
- Place the pallet on firm level ground
- Cut the plastic banding – beware of tension in the banding, which could snap back
- Remove each component by removing screws one column at a time as indicated below
- Be careful of loose components inside the pack when unpacking.
- Check all the components prior to install



FIXING PACK

Your fixing kit will be within the pack – you may need to fully unpack the pallet to find it.



Power Decking Product Instructions

Contents

Page 3 – Before You Start

Page 4 – Timber & Base Details

Page 5 – Pre-Assembly

Page 6 – Lay Your Timber Framing

Page 7/8 – Attach Your Newel Posts

Page 9/10/11/12 – Measure & Cut the Decking Boards

Page 13/14 – Install the Decking Boards

Page 15/16 – Install the Handrails

Page 17 – Aftercare & Maintenance

Page 18 - Returns

Before You Start

Most accidents are the result of negligence and carelessness, usually caused by the failure of the operator to follow simple but necessary safety precautions.

Do **not** install the Power Decking before carefully reading this manual and ensuring all components are accounted for and have been checked for any damage.

Visit www.Powersheds.com to check the base size for your decking and any other dimensions you may need.

Health & Safety

Every effort has been made during the manufacturing process to eliminate splinters from the timber. You are strongly advised to wear gloves when working with or handling timber.



2 persons recommended



Power Sheds Ltd cannot be held responsible for any damage or injury sustained due to incorrect unloading, unpacking, or assembly of any of our products.

Tools Required

(Not Supplied)



Spirit Level



Combi Drill



Adjustable
Spanner



Saw

Timber

As timber is a natural product, it is prone to changes in appearance, including some movement, warping, and splitting, particularly in extreme weather conditions. There may be the occasional split, knot, or similar visual imperfections in the timber.

Whilst every effort is made to hand pick timber without visible knotholes or splits there may be occasions where timber is selected in good faith that contains what appears to be a solid knot which over the course of time / during movement of the product it may occur that these small knot holes are then dislodged from the timber leaving a small knot or crack.

Unfortunately, we cannot be held responsible for this maturing of the product and can only offer our best advice as how to deal with this situation in the unlikely event that it should occur which would be to apply some wood filler to the area affected or in extreme circumstances to change the board over.

Tanalised timber can expand and contract depending on the moisture content, which can slightly impact the measurements of some of your components. We have provided information on how to trim down your handrails should these be affected (Page 15). Feel free to contact us if you have any concerns prior to assembling.

None of this should affect the structural integrity of the product.

Firm & Level Surrounding Base

All our garden decking requires a firm and level base.

When thinking about where the garden decking and the surrounding base is going to be constructed:

- Ensure that there will be access to all sides for maintenance work.
- Ensure the surrounding base is level and is built on firm ground, to prevent distortion. If your surrounding base is not level, you must amend or pack out the timber framing unit to ensure it is.
- Refer to PowerSheds.com for base dimensions.
- Consider when placing the surrounding base next to trees or large bushes, especially if these are likely to grow and come into contact with the decking in the future.
- You may wish to consider a damp proof membrane/course prior to fitting your decking.
- Any decision to build your base kit on a raised platform is at the discretion of the customer and Power Sheds will not accept any liability for any issues that may occur as a result of doing so.

It is recommended that the floor is at least 25mm above the surrounding ground level to avoid flooding. Suitable bases would include a concrete base (75mm of concrete on top of 75mm of hardcore) or a paving slab base (slabs laid on top of 50mm of sharp sand).

The Fixing Pack

Your fixing pack will include:

70mm Wood Screws – for securing base components and handrails

60mm Decking Screws – for securing decking boards

M10 Carriage Bolts – All M10 components are for the securing of the Newel Posts

M10 Washers

M10 Nuts

10mm Drill Bit

On the very rare occasion that not enough screws are provided please contact us and make us aware so we can send more out to you.

Please be aware we are unable to reimburse if you purchase your own.

Pre-Assembly

Safely unpack your components and check that you have all the parts required.

Please check your components are correct for the size of decking you have ordered. You will receive a separate plan/drawing specific to the kit size you have ordered; this will contain a component checklist.

You will need to ensure all components are present prior to starting installation.

Carefully remove the pallet and any packing timber.

Drilling

In the instructions we will talk about screwing components together. We recommend this is done with a drill.

You will need to use a 10mm drill bit (provided) to create a pilot hole on the Newel Posts (Page 8). You will not be able to fit the carriage bolts without creating the pilot hole.

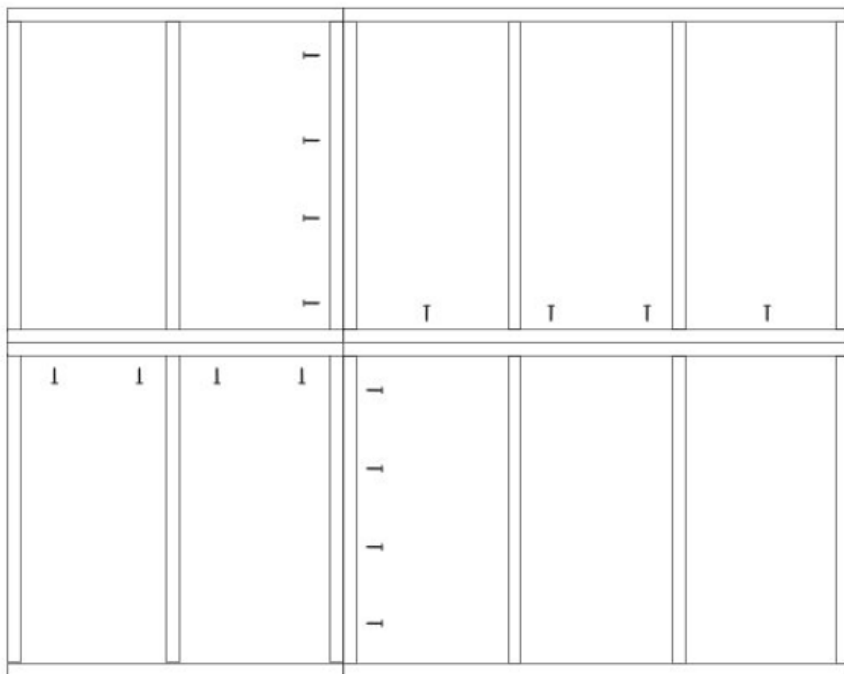
Lay Your Timber Framing

Lay down your timber framing according to the plan supplied. If you do not have a separate plan showing the layout, please contact Power Sheds prior to starting your build. The timber framing will have arrived in pre-assembled modular sections. The timber framing needs to be laid on a firm and level base which should already be prepared.

If your timber framing layer is not completely level, you will find the decking boards could be uneven when they are laid. Please use a large spirit level to check.

Depending on the chosen size of your decking, the components will be a variety of sizes. Please check the supplied plan which will contain a size specific component checklist. This can be used to identify the parts and layout for your size of kit.

Secure the timber framing together using the provided 70mm wood screws from your fixing pack. The image below shows an *example* of how to secure your timber framing, please refer to your individual build plan to confirm the layout.



You will want to use **four** screws per section to join the pre-assembled components together.

Attach the Newel Posts onto the Framing

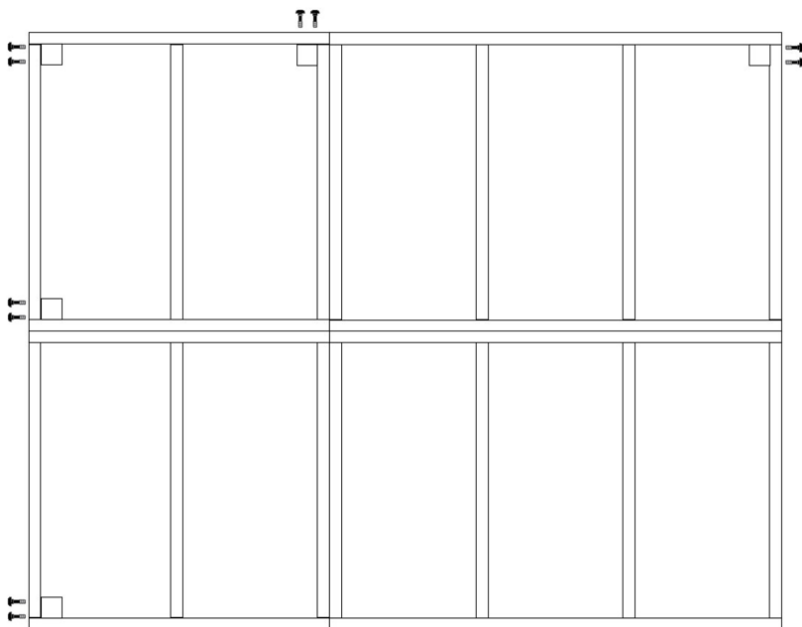
If you do not have handrails with your kit, you can skip ahead to the next step

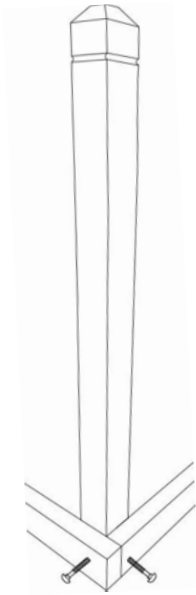
Each Newel Post will now need securing in the corners of your framing. Please refer to your individual build plan to confirm the placement of the Newel Posts.

Hold the Newel Post in position and use the 10mm drill bit provided to drill through the external timber framing and into the Newel Post. This will create the pilot hole. You may wish to remove the Newel Post and continue to pre-drill further into the component if the drill bit has not gone far enough through.

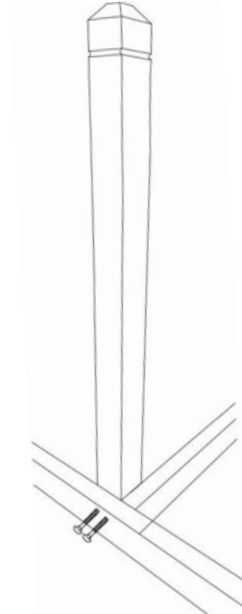
Put the Newel Post back in position and tap the 150mm Carriage Bolts provided through the pilot holes, making sure they go through the timber framing and into the post. Once the bolt is through the post, fit the washer and nut, then tighten the nut using a spanner.

Don't forget to refer to your individual build plan when installing the remaining Newel Posts. The carriage bolts can be secured in two different ways, depending on if the posts are in the corners, please see page 8 for more information on this.





Option 1: If the post is in the corner, secure one carriage bolt to each side.



Option 2: If the post is in the middle of a section, secure both carriage bolts from the same side.

Measure and cut the Decking Boards

USEFUL TIP!

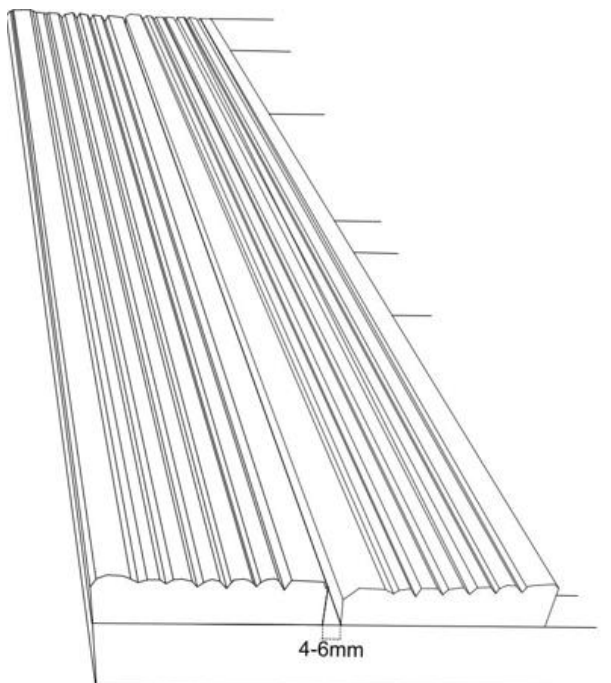
Make sure you double check all measurements prior to cutting, as any replacements requested for incorrectly cut boards may incur a charge.

The decking boards will need to be laid on the frame prior to fitting to confirm the spacing. You will need to leave a small gap (approx. 4-6mm) between each board. This will allow the timber adequate space to shrink and expand as the temperature and moisture levels change throughout the seasons.

USEFUL TIP!

You may wish to use a spacer to ensure the gap is consistent. While we do not provide one, you can use almost anything as long as it remains the same size. This could be a few coins, a thin piece of timber, or something else!

The decking boards can be fitted with either side facing up (ridged or smooth). Most customers opt to have the ridged side facing up, as this allows for optimal water run-off and air flow which reduces the risk of a slippery surface.



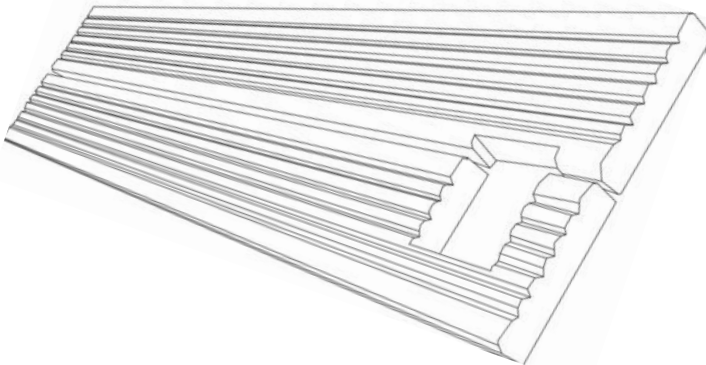
Depending on what size decking kit you have purchased, you may find your end boards overhang the base timbers slightly. If this is the case, you can either:

- Cut down the end decking board to meet the edge of the base timbers. You can use a hand saw or a jigsaw, and you can use the grooves on the boards to ensure you're cutting a straight line.
- Leave them overhanging and cover this with the 'cover boards' during the final stages of installation.
- Increase or decrease the size of the gaps between each board.

You will need to cut out holes in the decking boards to accommodate the Newel Posts. This can be done one of two ways:

Method 1:

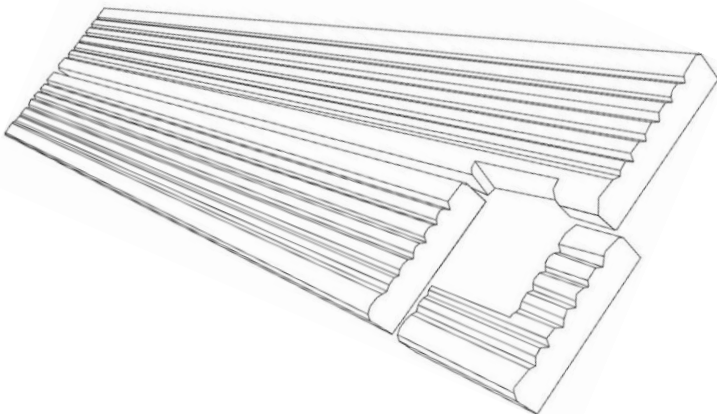
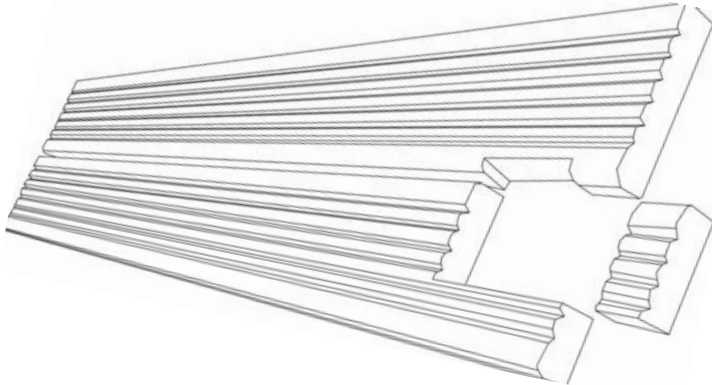
Double check the position of the Newel Posts and draw your cut lines onto the decking boards (remember to consider the gap between each decking board when measuring). If the Newel Post is positioned across two decking boards, these will be U-shaped guidelines (as pictured below).



Using these guidelines and a saw (potentially a jigsaw), cut out the holes in the decking boards.

Lay the cut boards back into position and check that there is sufficient space to accommodate the Newel Posts.

There are several potential cutting patterns for this method, as demonstrated in the diagrams below.

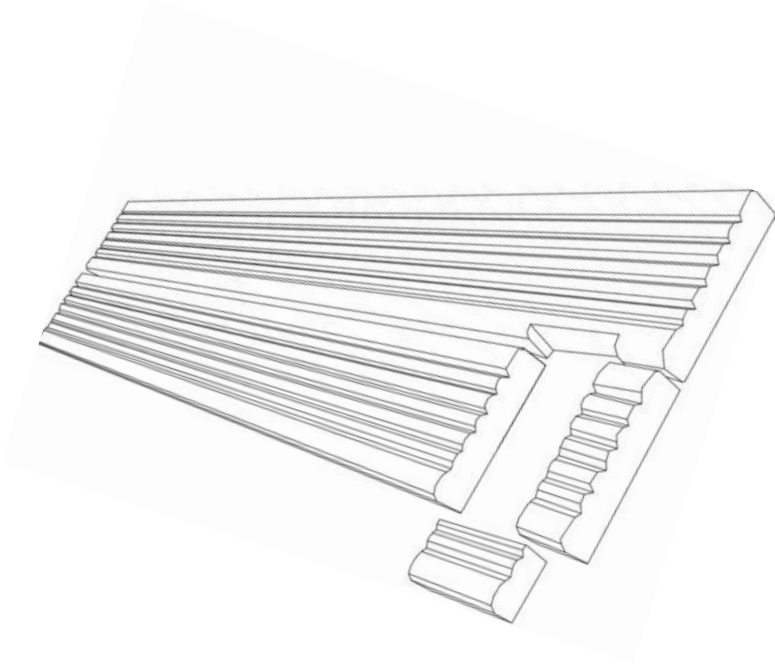


Method 2:

Double check the position of the Newel Posts and draw your cut lines onto the decking boards (remember to consider the gap between each decking board when measuring).

For this method, rather than creating a U-shaped hole for the Newel Posts, you will simply cut a full section out of each board (as pictured below).

You can then use the off cuts to fill any gaps. Depending on where the Newel Posts are positioned on your individual build plan.



You may need to still make a small U-cut on the 2nd board, depending on where you're putting the Newel post.

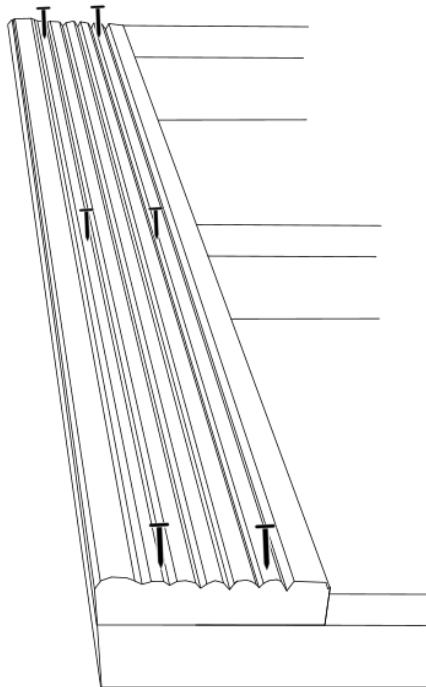
Lay the cut boards back into position and check that there is sufficient space to accommodate the Newel Posts.

Install the Decking Boards

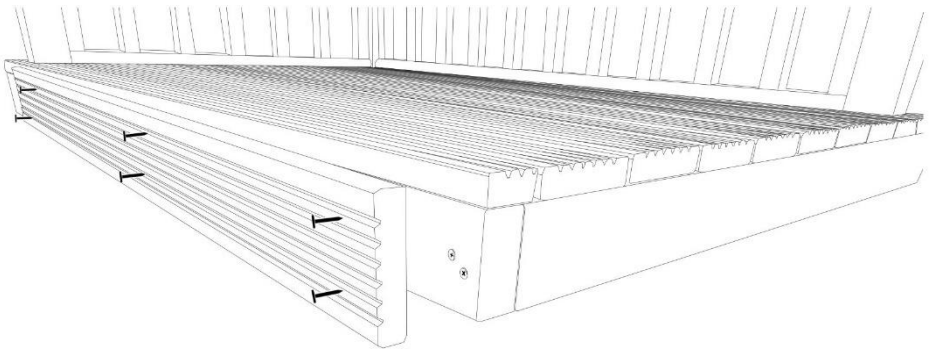
Once you have confirmed the layout and made any required cuts, you can start to fit your decking boards to the timber framing.

Starting from the rear of the decking (where the rails will go if applicable), screw the boards into position using the 60mm screws provided.

The screws should go through the decking boards and into the framing timbers. You should use **two screws per board, per piece of framing (as per diagram below)**.



Once you have screwed all boards into position, you can now secure the 'cover boards' to the outer edges of the decking using the 60mm screws provided. Cover boards will be provided for only two sides of the decking.



USEFUL TIP!

Some customers may wish to consider anti-slip measures depending on their plans for the decking kit. Some of the ways you can add anti-slip measures are using Rubber Mats, applying non-slip decking strips or tape, or apply non-slip decking oil. Timber is a natural product and is porous, which means water can collect between the wood fibres and can result in algae formation, which can be a slip hazard.

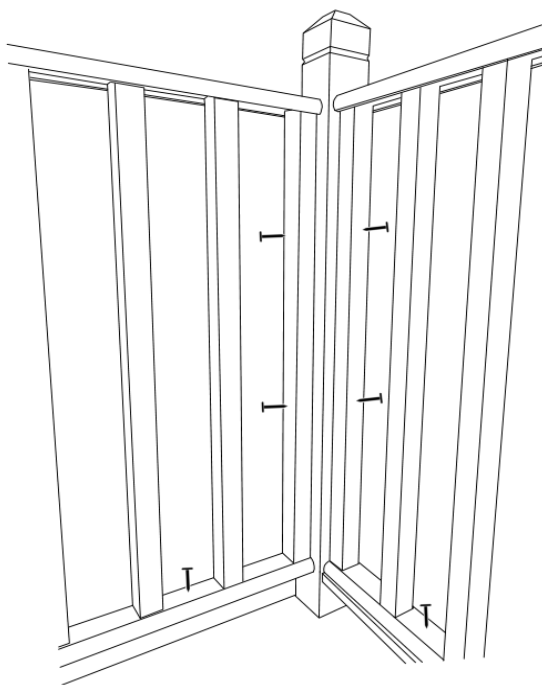
Install the Handrails

The handrails will arrive pre-assembled to help make your Power Decking as easy to install as possible.

You will need to use the 70mm screws to attach the handrails to the newel posts and decking boards (as pictured below).

Use four screws per newel post, two on each side. Use three screws per handrail (when screwing into the decking boards), one at either end and one towards the middle.

Due to the layout of the components, you may find you need to screw at an angle to accommodate your equipment.

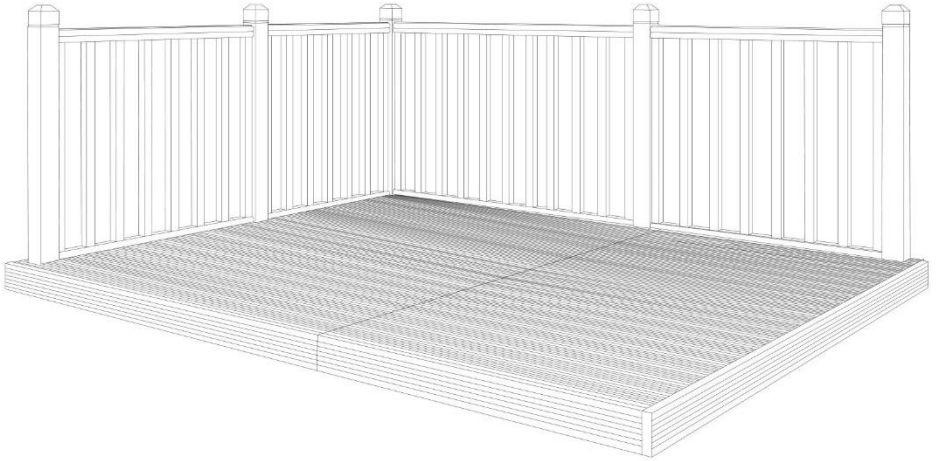


Your individual build plan will show the handrail layout in detail, showing which sections are to be used in what position.

Useful Tip!

Depending on the moisture content in the timber, you may find the handrails don't quite fit in and may need trimming down.

Your decking kit is now complete!



Aftercare and Maintenance

General Maintenance

Make sure you keep your decking free from debris and pooling water by regularly sweeping the area. Do not allow plants/weeds to grow onto/underneath the decking kit.

Decking Preserver

All our decking comes pressure treated.

It is however important that you re-treat your Power decking annually with a high-quality wood preserver to keep it at its best!

Feel free to change the colour of the decking, giving you the 'power' to style it your own way.

Check Your Base

Although your base should be level at the time of assembly, some bases can move over time and if you find this occurs then the decking can twist.

Should this occur, you may need to check the base to keep the decking level.

Share Your Decking

Here at Power, we love to see your decking!

Send us photos of your finished decking to our social media channels using the following handles –

@PowerSheds

#PowerSheds



Instagram



Twitter



Facebook

Returns

If Power is not for you and you'd like to return your decking within 14 days of delivery, then we will collect the item from you without charging a collection fee. No fuss, no fees!

All we ask is that you **do not unpack** the decking or take the decking off the pallet. You will be able to see the decking components on the pallet if you want to double check the quality of the decking.

You need to notify the company you ordered your decking from to arrange a cancellation or return.

If you have unpacked the decking or have taken the decking off the pallet, then you can still return the product to us providing it is within 14 days of delivery, but you will have to cover the cost of returning the item. This will either need to be by arranging the delivery yourself (to our manufacturing unit in West Yorkshire) or repacking and securing the goods back onto the pallet and we can arrange a pallet collection for you. The cost of this will depend on your location and the item bought – please contact us if you would like us to advise the cost of this. In this case we will not profit from any courier charges but simply pass on the cost we receive to you.

Any delivery surcharges you have paid (such as a quicker delivery, Saturday delivery, or a timed delivery) will not be refunded.

Once your item has been returned it will be checked to ensure it is complete and in a re-sellable condition. If we deem that the product is not in a re-sellable condition, we shall deduct a reasonable amount to cover any costs to use or return them to you. Where a refund is to be paid, we will usually refund any money received from you using the same method originally used by you to pay for your purchase.

Contact Us

If you have any queries or issues with your decking, then you can:

- Check out our FAQ page on www.PowerSheds.com
- Email us at hello@PowerSheds.com
- Please provide photographs of any reported issues
- Any replacement parts can take 1-3 working days.
- Contact us via the telephone – 01274 036 577 (Mon-Fri 08:00 - 16:30)
- Write to us at: Power Sheds Ltd
21 Comondale Way
Euroway Trading Estate
Bradford
BD4 6SF

*On the rare occasion that something is missing, please contact us to make us aware so we can send out any replacements. Replacement parts will be dispatched within 1-3 working days.

*Please be aware we are unable to reimburse you if you purchase your own materials.

*We also cannot compensate for subsequential losses such as installation work.