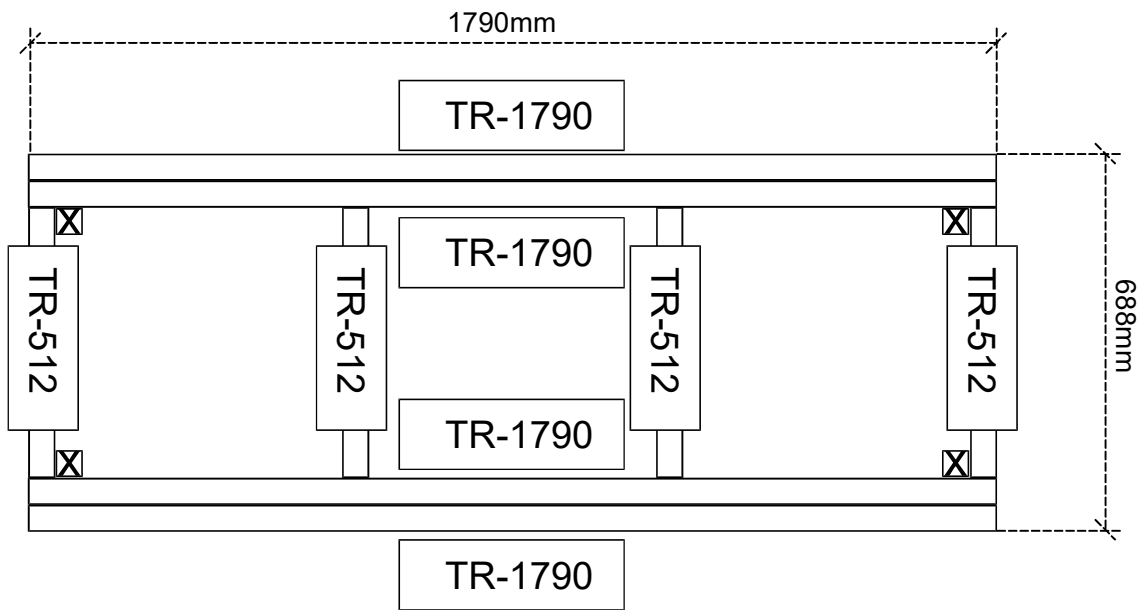


2x6w Power Base. 700mm x 1790mm

TR-1790	Treated Rail	4
TR-512	Treated Rail	4
TR-300 ☒ = Stake	Treated Rail	4



Power Base Installation Instructions

We recommend watching our installation video before starting assembly of your Power Base.



www.Powersheds.com/faqs/how-do-you-assemble-the-power-sheds-base-kit/

The Power Base will be made up from the pressure treated timbers in the pack.
This is the 100mm x 50mm timber.

Note – We suggest pre-drilling the timber with a 3mm drill bit before inserting screws to minimise the chances of the timber splitting.

1. Layout the timber as per the diagram on the other side of this sheet. You will have one timber frame section per floor panel. The timber should be 100mm high and 50mm wide (therefore the floor of the shed will be 100mm off the ground).

2. Screw the timber together using the 80mm and 100mm screws one floor section at a time ensuring two screws per join are used.
Once all the floor sections are complete you can screw each floor section together. There will be two additional bearers to screw at each end.

3. Measure the constructed base from corner to corner ensuring the base is square. The two measurements from corner to corner should be equal.

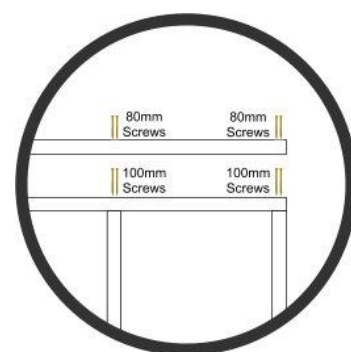
4. Now is the time to attach the wooden stakes (unless your base is going onto hard ground). Ensure the base is positioned exactly where you want it and on the inside of the highest corner, drive the wooden stake into the ground at the with a hammer.

Note - We recommend placing some scrap timber between the stake and hammer to stop the stake being damaged when hammering it.

5. When you are happy with the height of the stake, secure this to the base with the 80mm screws.

6. Repeat this process in all other corners by going to the next highest corner of each base section - 4 stakes per base section. Keep ensuring base is level using a spirit level until all corners have their stake attached and in the ground.

Note - If the stakes are not suitable and are going into hard ground, the stakes can be cut down to pack up the base to ensure it is level.



Please turn over for diagram