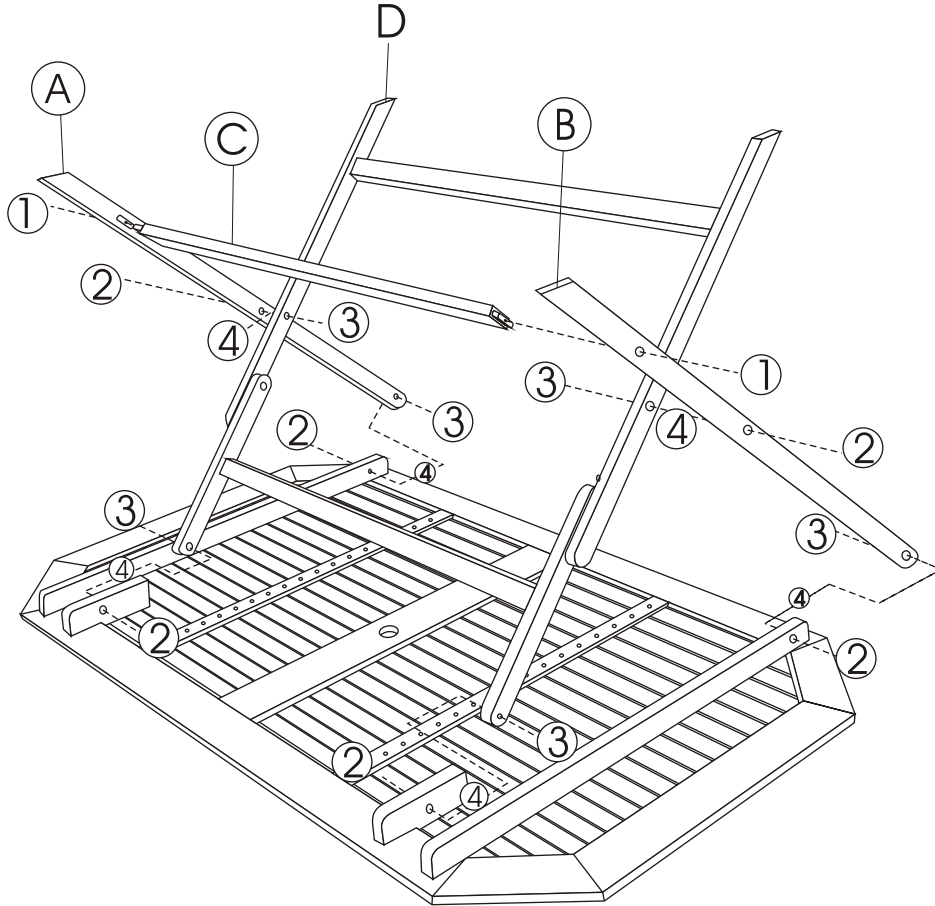




**IMPORTANT, RETAIN FOR FUTURE
REFERENCE: READ CAREFULLY**

For outdoor use only.
For domestic use only.

PLUMLEY TABLE 140 x 85cm
Assembly instruction and caresheet



- | | |
|-----------------|--|
| <p>A</p> | <p>1</p> <p>(M7 x 60) mm x 2 Pcs</p> |
| <p>B</p> | <p>2</p> <p>(M8x35) : 6pcs</p> |
| <p>C</p> | <p>3</p> <p>(M8x15)mm : 6pcs</p> |
| <p>D</p> | <p>4</p> <p>PLAIN WASHER (8.5x20x2)x6Pcs</p> |
| | <p>5</p> <p>2pcs</p> |