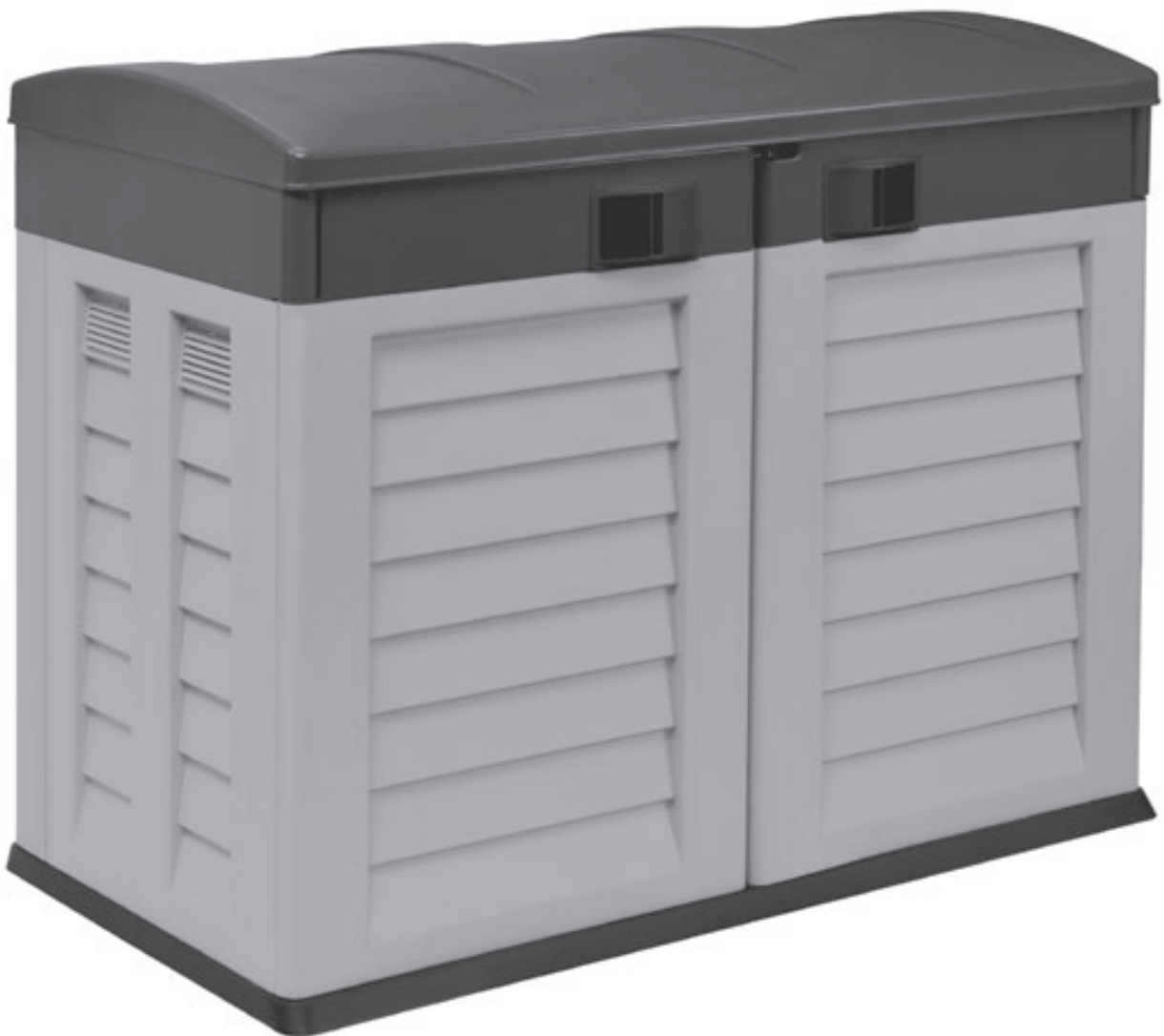


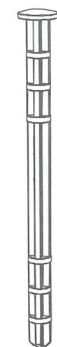
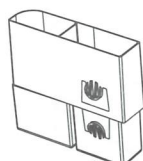
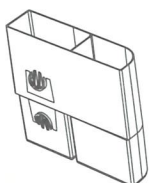
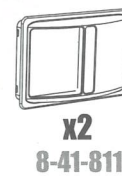
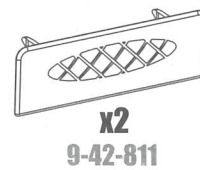
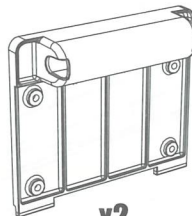
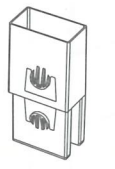
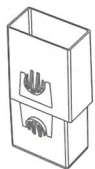
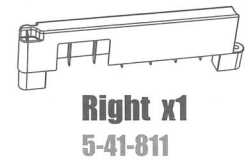
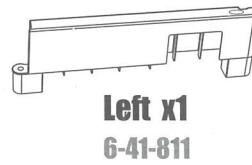
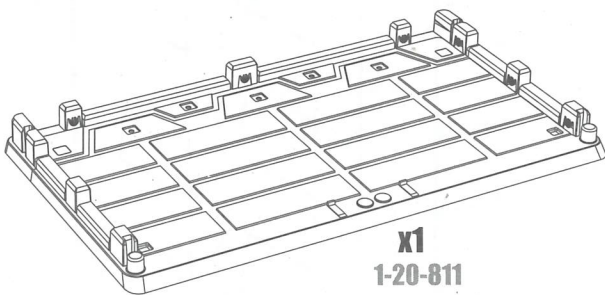
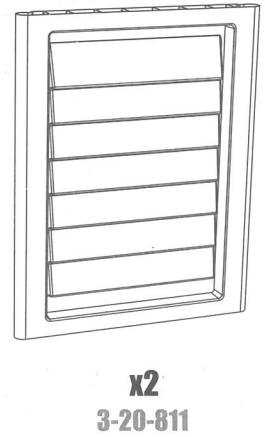
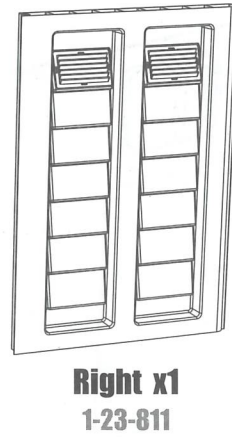
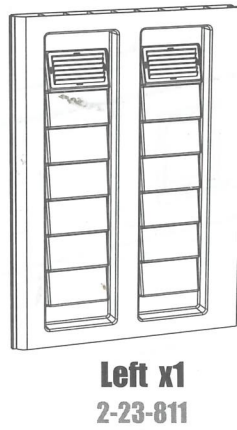
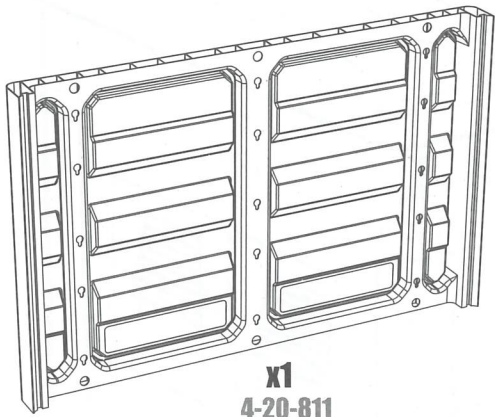
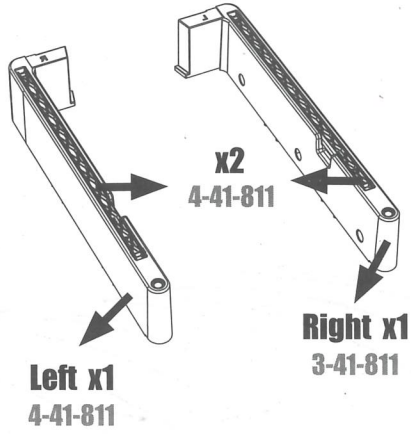
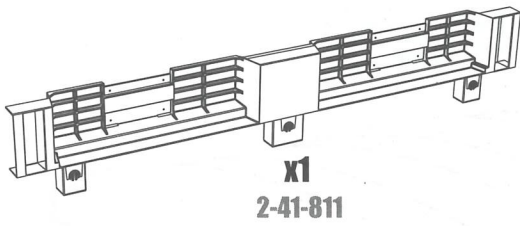
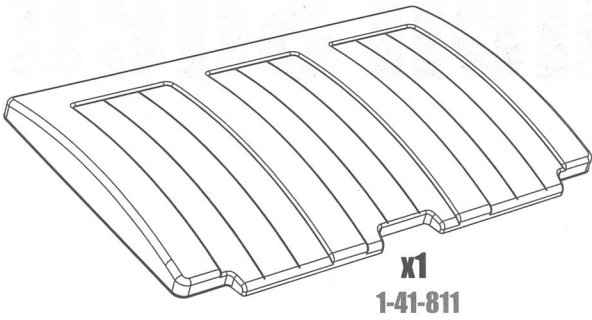
SS267

Garden Shed

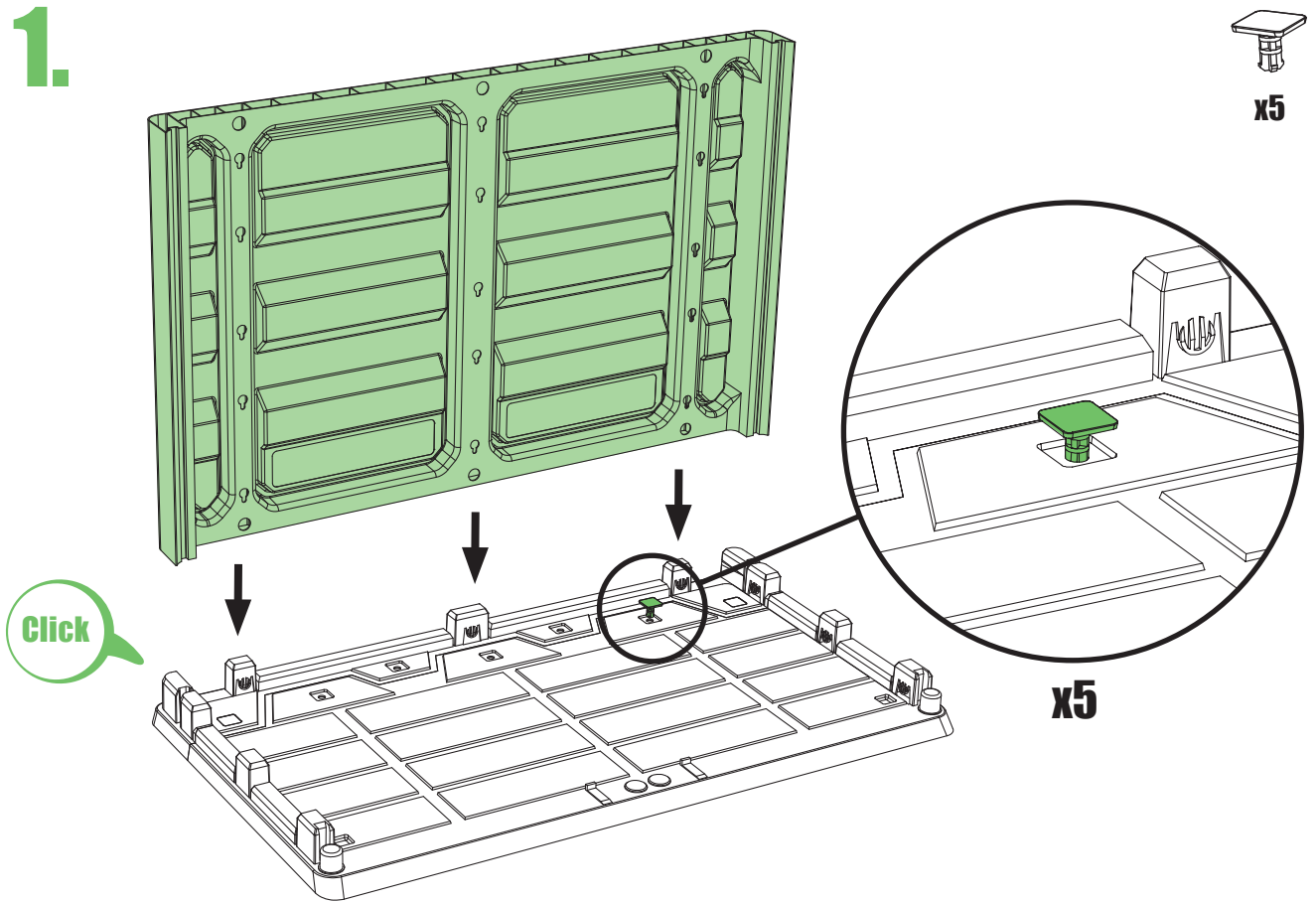


parts

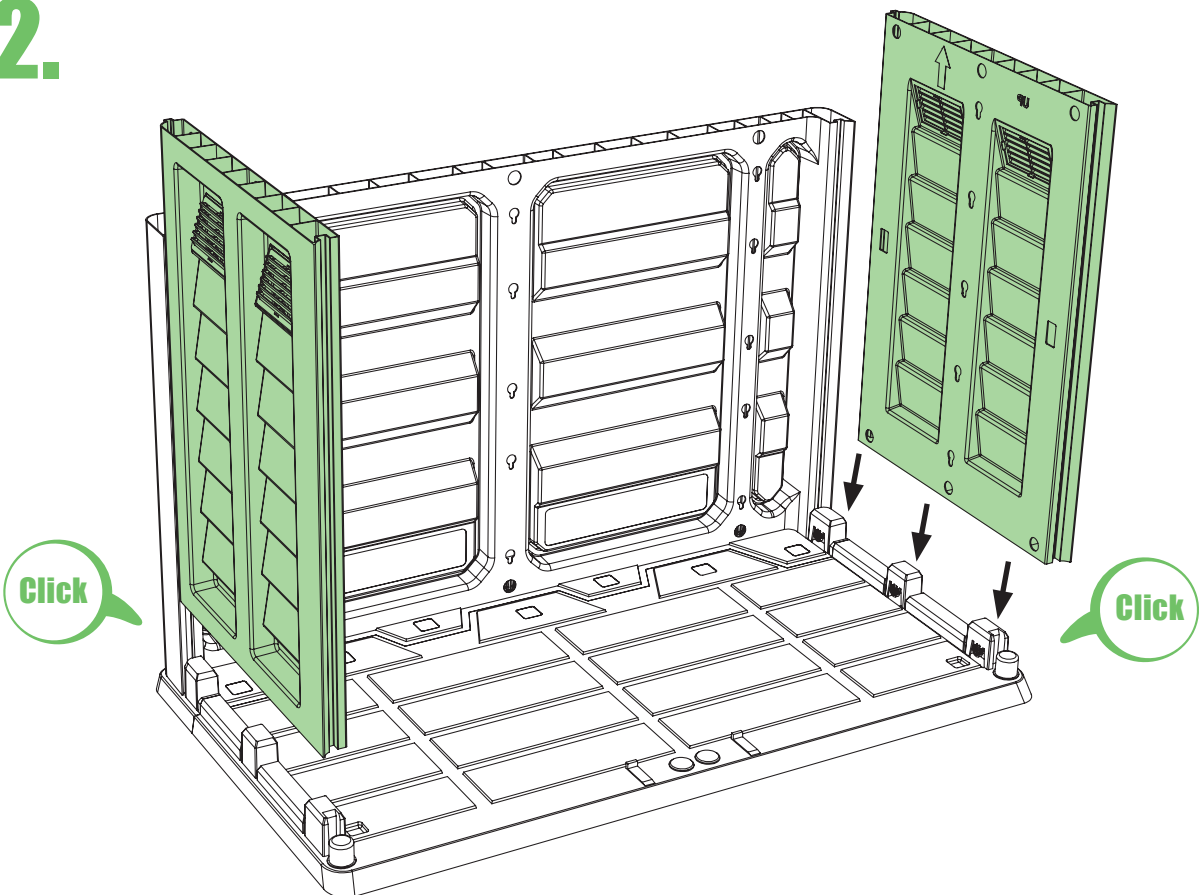
Instructions not include spare parts



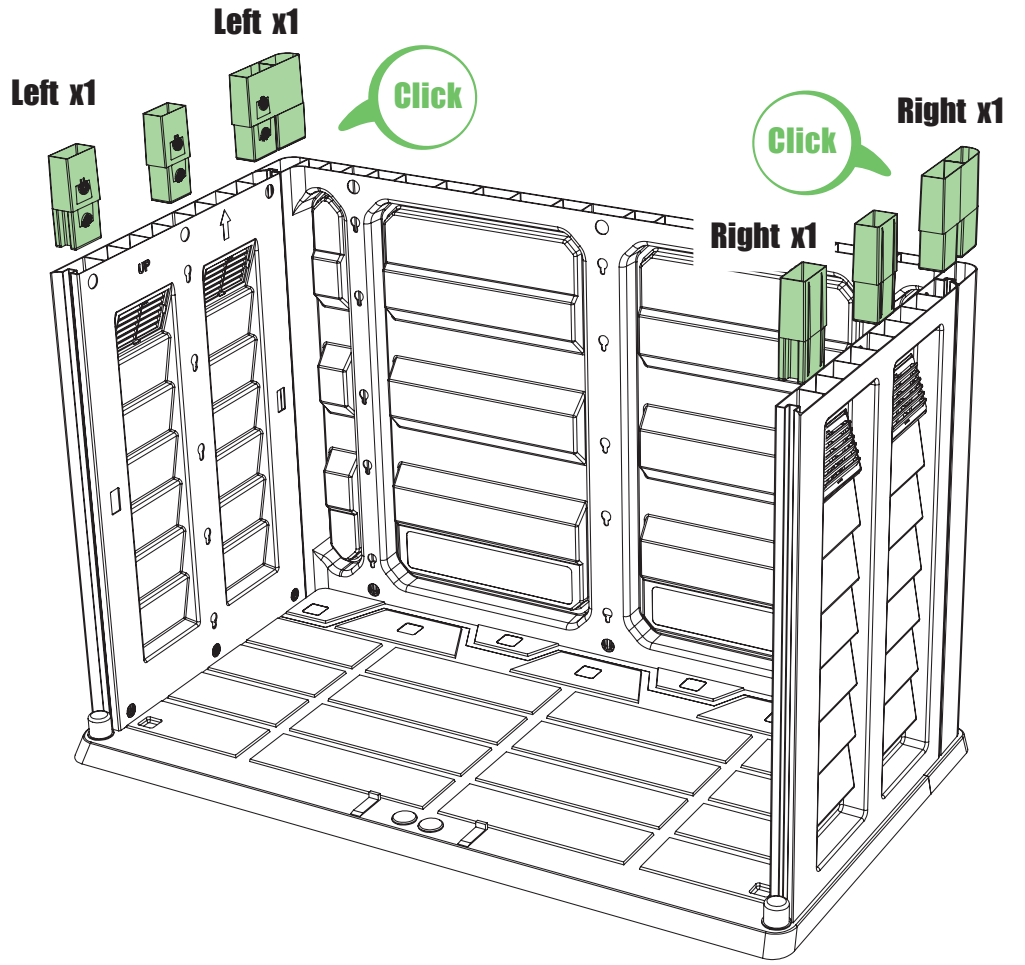
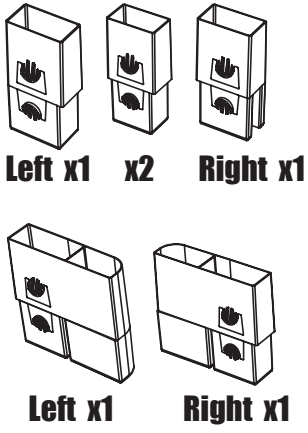
1.



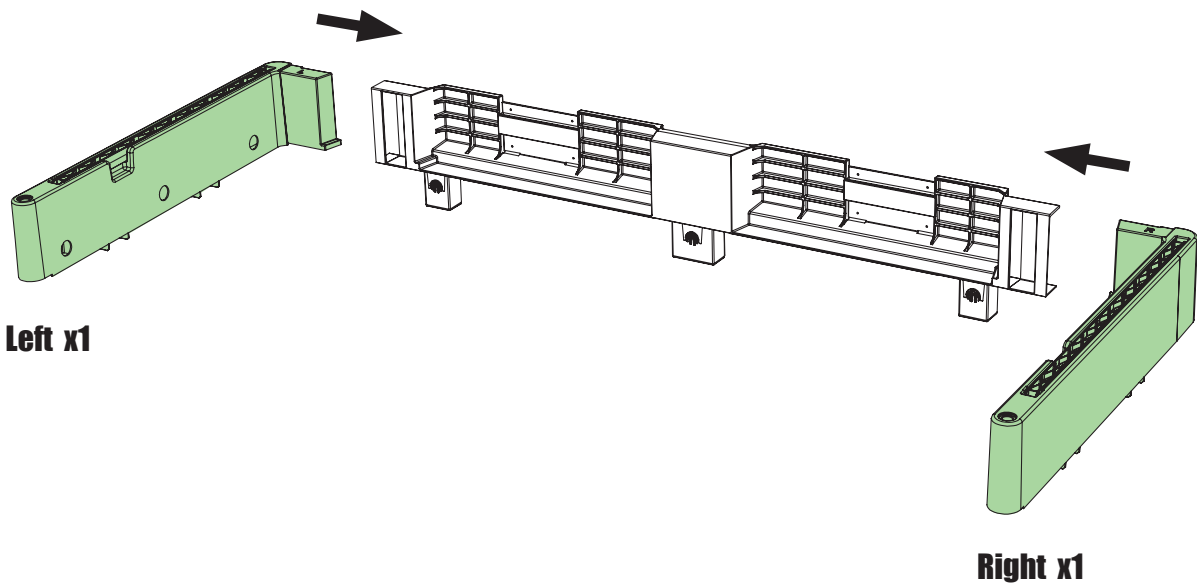
2.



3.

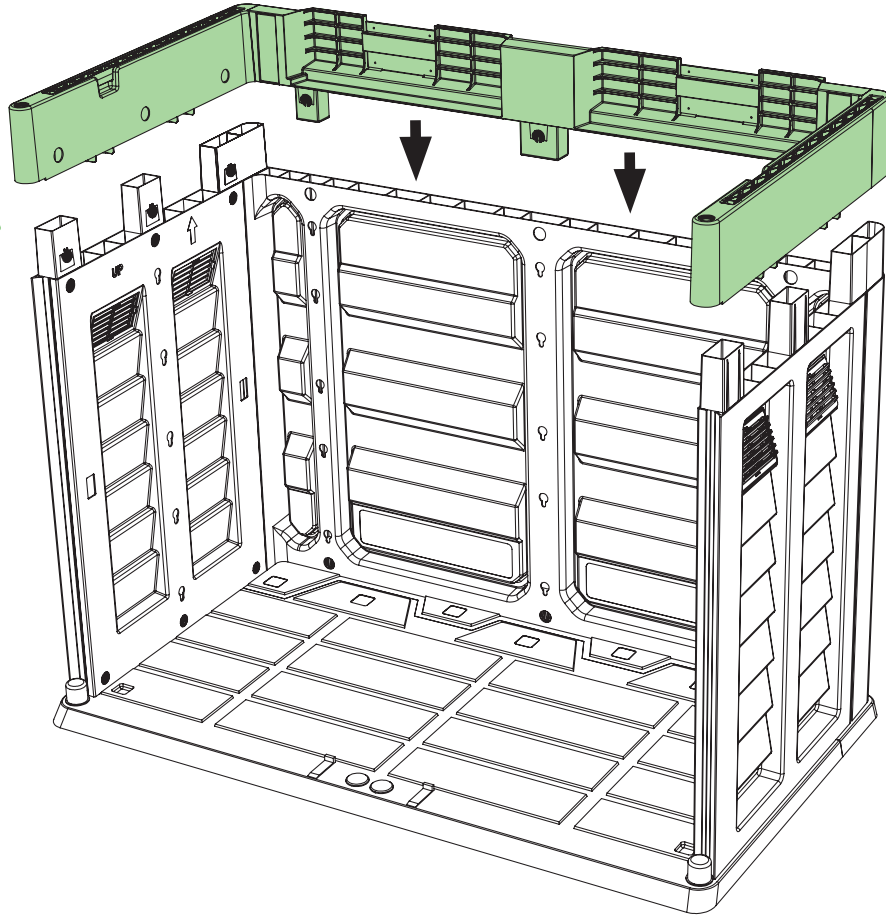


4.

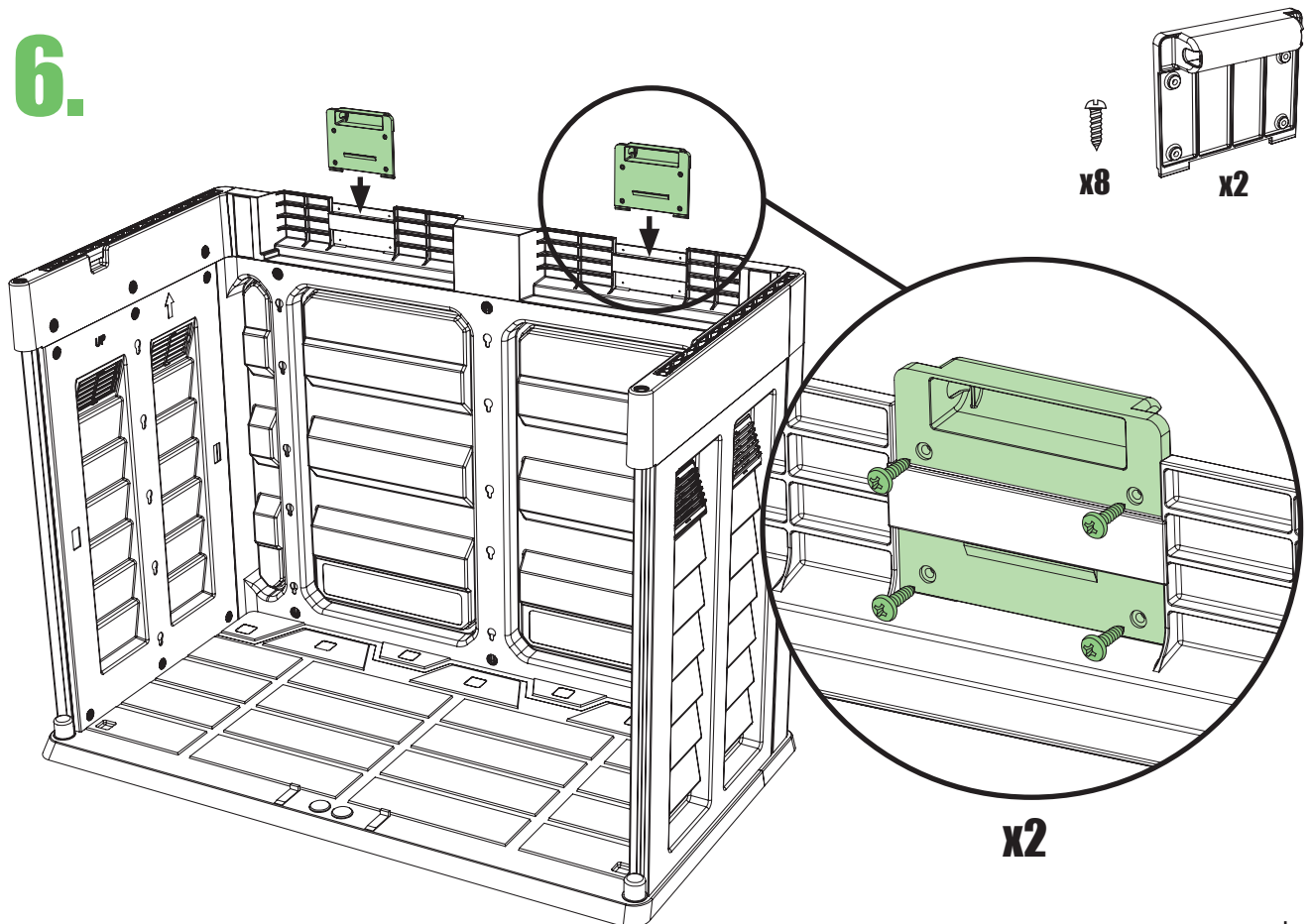


5.

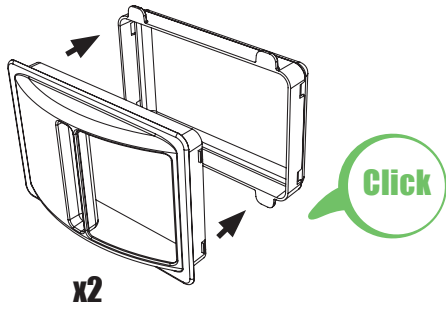
Click



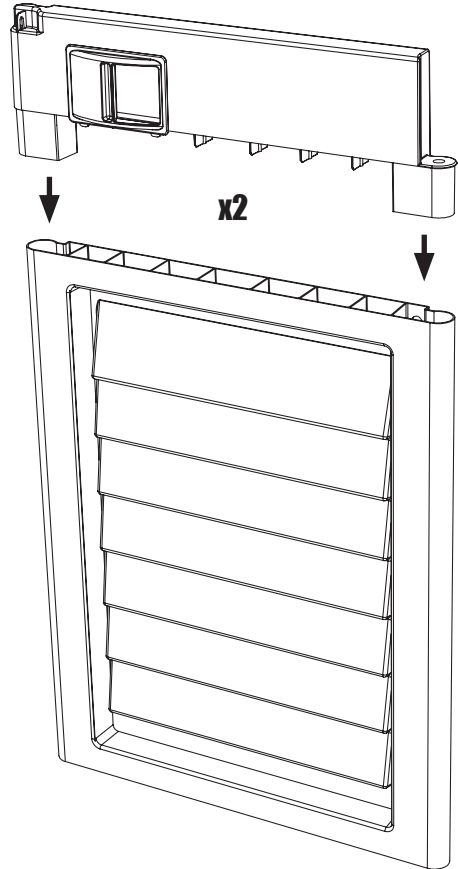
6.



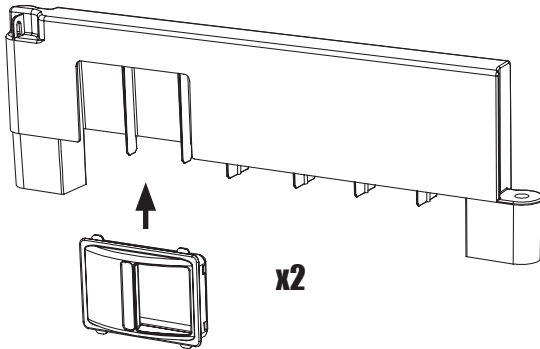
7.



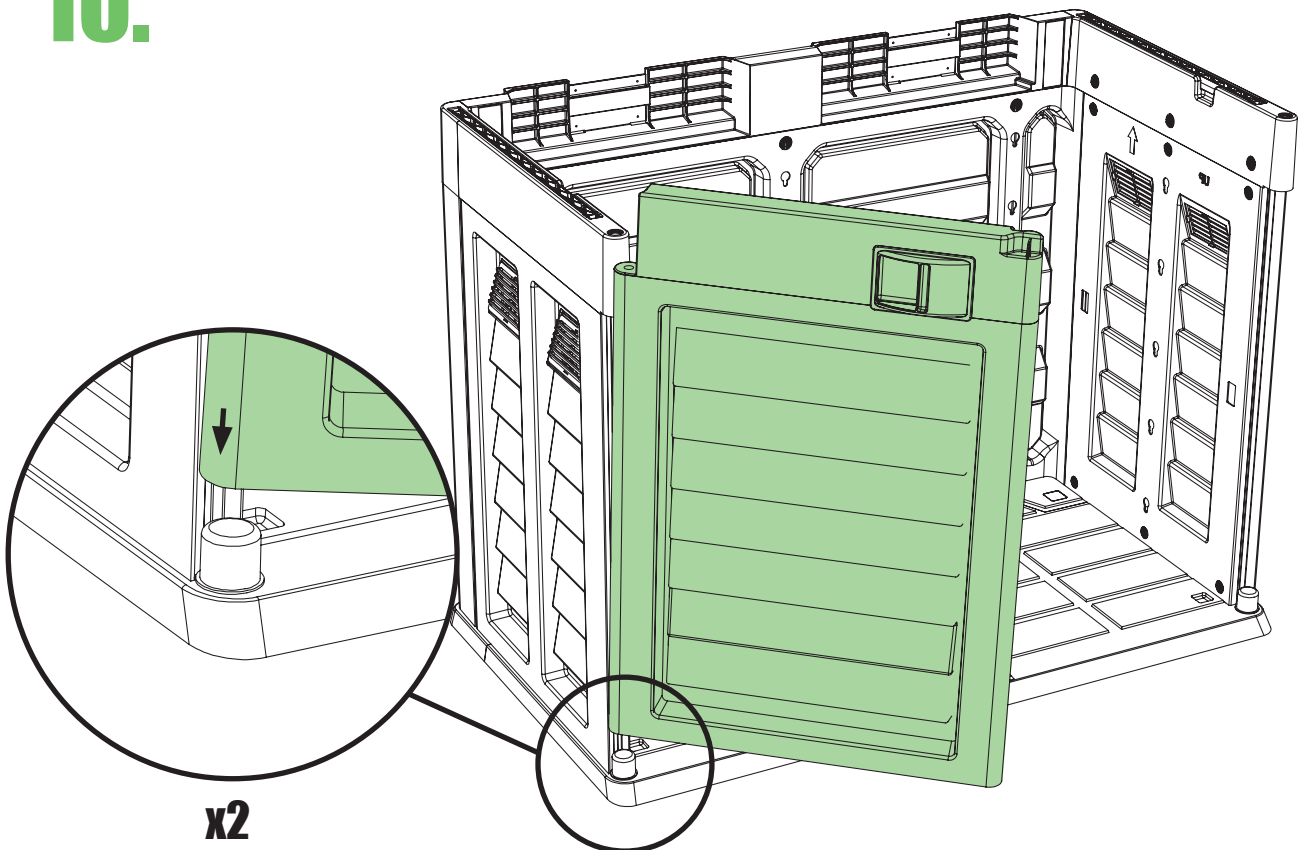
9.



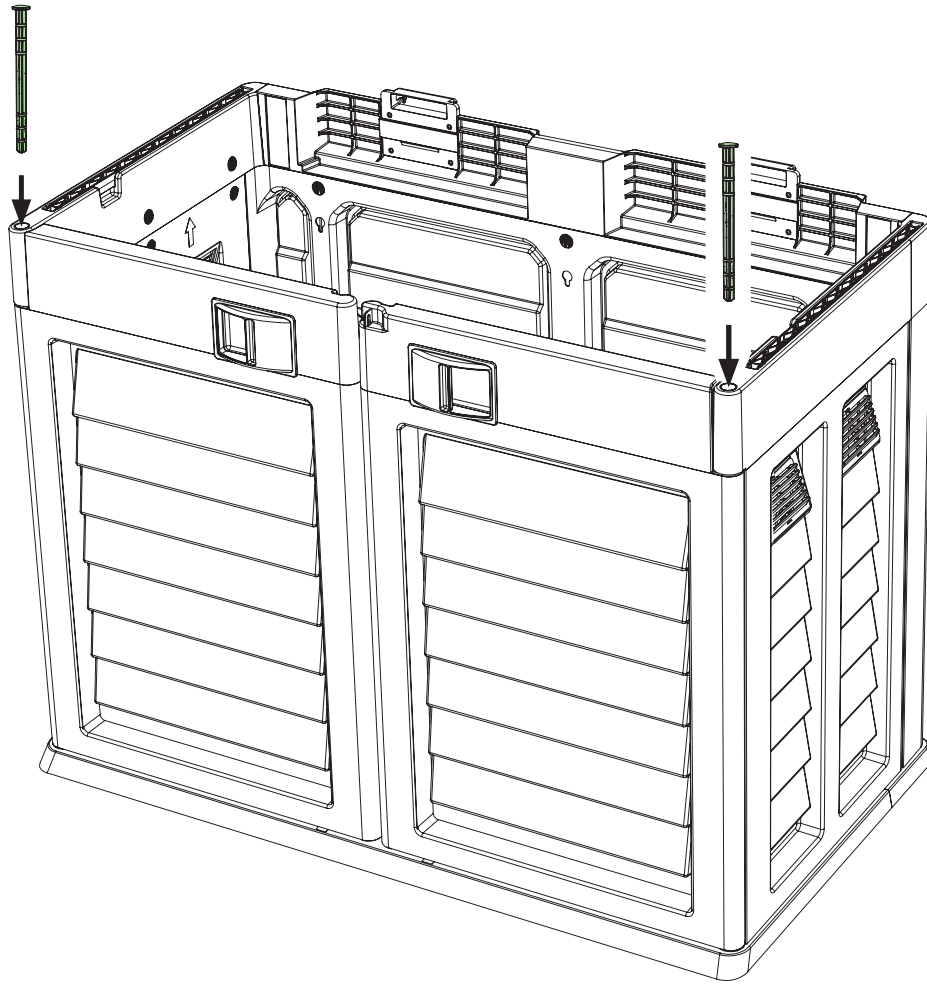
8.



10.

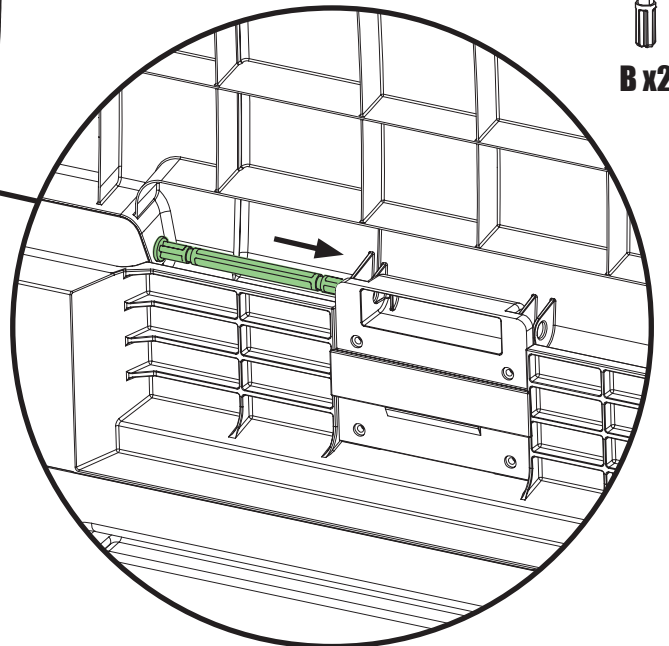
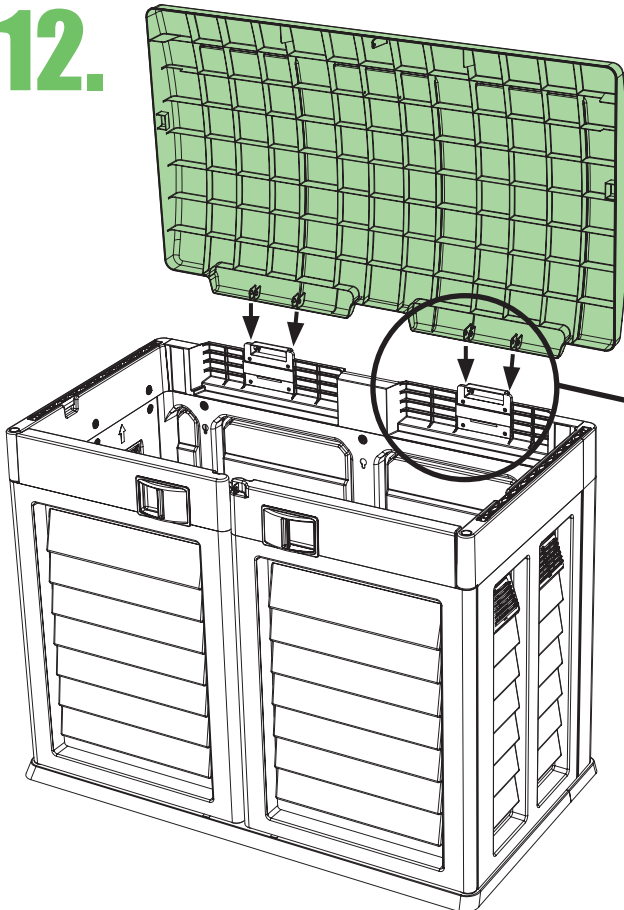


11.



A x2

12.



B x2

x2

13.

