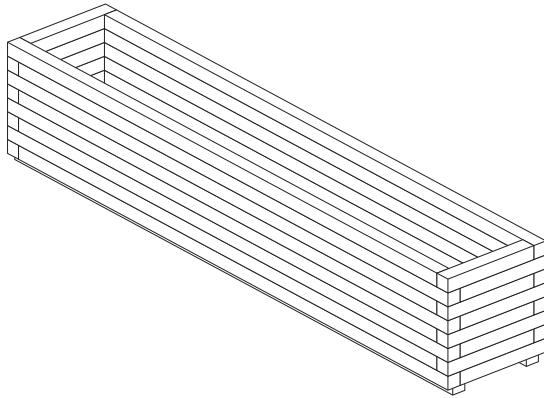


# Patio Planter

# English SS237A

## Assembly Instructions



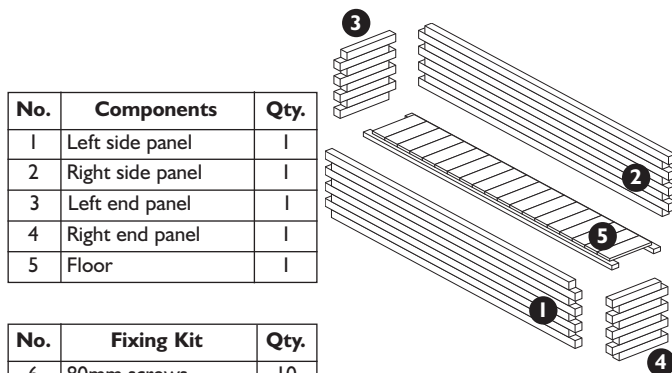
### Before assembly

- We recommend that time is taken to read the instructions before starting assembly, then follow the easy step by step guide. The instruction sheet is only a guide to the assembly. Certain items may not be shown to scale.
- Check all components prior to assembly
- Drill all components where indicated.
- This product should be assembled by two people
- Never attempt to erect the assembly in high winds.



### Recommended tools for assembly

- Cross head screw driver
- Drill with 3mm diameter drill bit



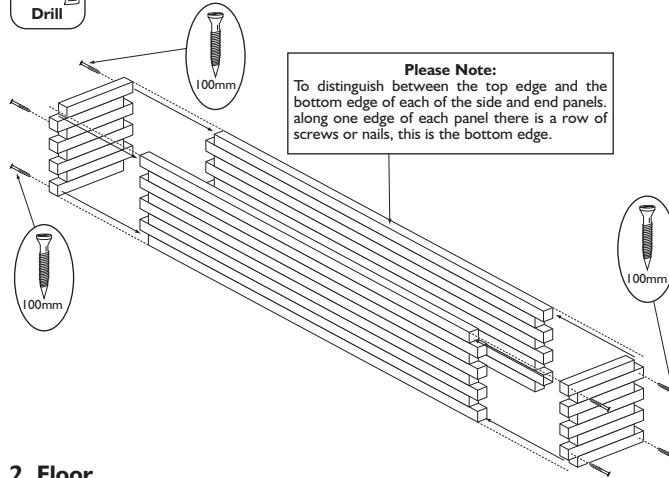
No.	Fixing Kit	Qty.
6	80mm screws	10
7	100mm screws	8

### 1. Connect the ends and side panels

Interlock the ends and side panels as shown. If necessary use a mallet and tap them till they are fully inter-locked. Secure using 4 x 100mm screws in each corner, screw through the end panels into the ends of the side panels.



Drill pilot holes in the end panels with a 3mm drill bit for each screw in this section.

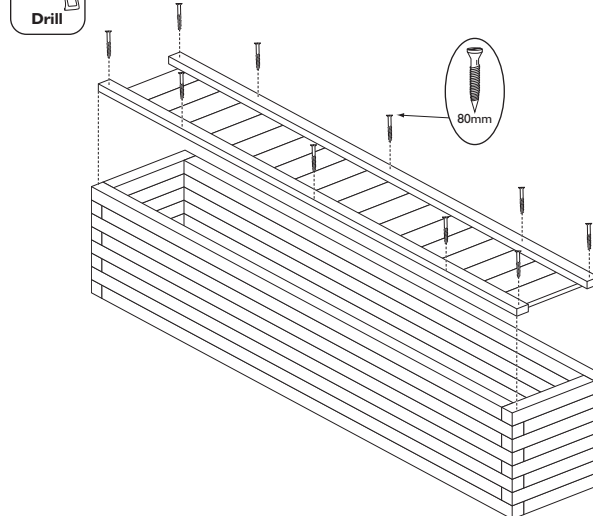


### 2. Floor

Place the floor onto the planter, ensure that the floor boards fit within the side panels, tap into place with a mallet if necessary. Secure the floor using 10 x 80mm screws as shown



Drill pilot holes in the end panels with a 3mm drill bit for each screw in this section.



### 3. Turn planter over

With a person at each end carefully turn the planter the right way up.

