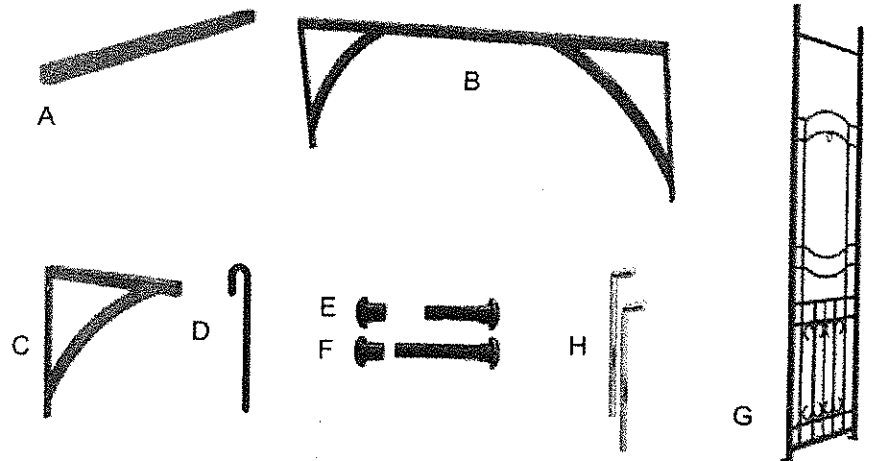


# PANACEA™ Irving Flat Arbor

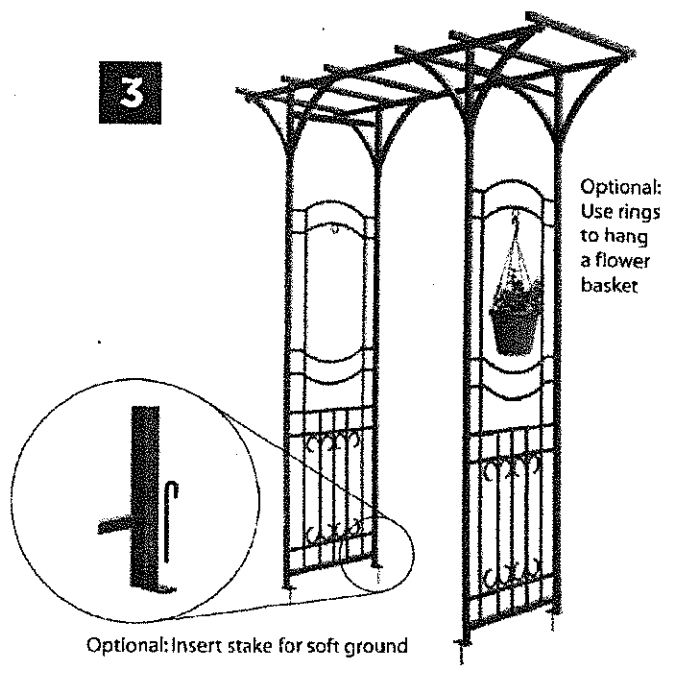
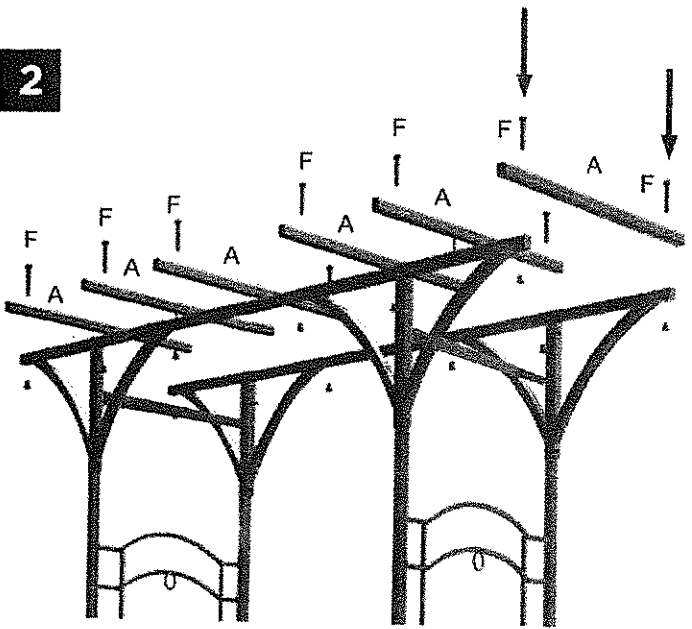
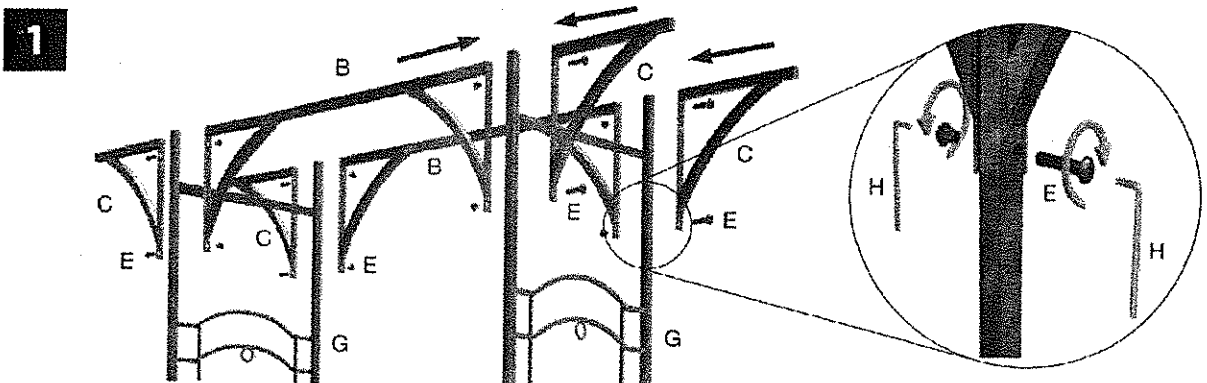
Assembly Instructions  
Item # 84337

## PACKAGE CONTENTS

Part	Description	Qty
A	Bar	6
B	Middle Brace	2
C	Side Brace	4
D	Stake	4
E	Short Bolt with Nut	8
F	Long Bolt with Nut	12
G	Side Panel	2
H	Hex Wrench	2



## ASSEMBLY INSTRUCTIONS



Questions, problems, missing parts? Before returning to your retailer, call our customer service department at 1-800-543-0031, 9 a.m. - 5 p.m., EST, Monday - Friday.