



HOW TO ASSEMBLE

VOYAGER™ 3x5 / 1.4x1

IMPORTANT!

Please read these instructions carefully before starting assembly.
Keep these instructions in a safe place for future reference.

www.canopia.com



A member of
Palram Industries Ltd.





AFTER SALES SERVICE

WE´VE GOT YOU COVERED

NOUS NOUS OCCUPONS DE VOUS | NOS OCUPAMOS DE UD | WIR HELFEN IHNEN GERNE

EN

Our self-service form makes it convenient and fast.
Go to the URL below or scan the QR code with your phone to submit your request.

FR

Notre formulaire en ligne est pratique et rapide.
Rendez vous sur l'URL ci-dessous ou scannez le code QR avec votre téléphone pour soumettre votre demande.

ES

Nuestro formulario de autoservicio lo hace conveniente y rápido. Vaya al URL de abajo o escanee el código QR con su teléfono para enviar su solicitud.

DE

Nutzen Sie schnell und bequem unser Kontaktformular.
Rufen Sie die untenstehende URL auf oder scannen Sie den QR-Code mit Ihrem Handy, um Ihre Anfrage zu übermitteln.

Missing a part or need a new one?

Il vous manque une pièce ou vous avez besoin d'une pièce supplémentaire?
Me falta una pieza o necesito una nueva?
Fehlt ein Teil oder benötigen Sie ein Ersatzteil?



canopia.shop/part_request

SCAN ME

Need help assembling your product?

Besoin d'aide pour monter votre produit?
Necesito ayuda para montar mi producto?
Benötigen Sie Hilfe bei der Montage Ihres Produkts?



canopia.shop/support

SCAN ME



CUSTOMER SUPPORT

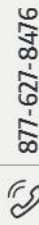


SCAN ME

WE ARE HERE TO HELP

For general questions: canopia.com/contact-us

USA



877-627-8476



generalsupport@poly-tex.com

GERMANY



0180-522-8778



customer.serviceDE@palram.com

ITALY • NETHERLANDS • PORTUGAL • SPAIN



+33-169-791-094



customer.serviceFR@palram.com

CANADA



905-5646007



sales@footprintproducts.com

FRANCE • BELGIUM



+33-169-791-094



customer.serviceFR@palram.com

AUSTRIA • LUXEMBURG • LIECHTENSTEIN



+49-180-522-8778



customer.serviceDE@palram.com

UNITED KINGDOM • IRELAND



01302-380775



customer.serviceUK@palram.com

ISRAEL



04-848-6816



customer.service@palram.com

AUSTRALIA



03-9219-4444



salesvic@palram.com

NORWAY • SWEDEN • ARGENTINA • GREECE • GREENLAND • ICELAND • ESTONIA • JAPAN • LATVIA • LITHUANIA
MAURITIUS • MEXICO • ROMANIA • RUSSIA • TURKEY • UZBEKISTAN • UKRAINE • SWAZILAND • KOREA



+972-4-848-6816



customer.service@palram.com



CUSTOMER SUPPORT



SCAN ME

WE ARE HERE TO HELP

For general questions: canopia.com/contact-us

AUSTRALIA - GREENHOUSES



03-9544-6-999



info@mazedistribution.com.au

HUNGARY · SLOVAKIA



+420-493-523-523



servis@garland.cz

NEW ZEALAND



0800 800 880



customer.service@palram.com

DENMARK



07-575 42 70



post@nshnordic.com

SOUTH AFRICA



011-397-7771



receptionza@palram.com

CROATIA · SLOVENIA



0599-37-057



info@ms-viscom.com

CZECH REPUBLIC



0493-523-523



servis@garland.cz

FINLAND



Neuvonta: 09-6866720
Tuki / Varaosat: 050-3715350



www.horisontenterprises.fi
tuki@horisontenterprises.fi

POLAND



Infolinia: 801-011-929
22-349-93-36



kontakt@ogrodosfera.pl

CYPRUS



0224-971-13



alpaco@alpacodomica.com
www.alpacodomica.com

SWITZERLAND

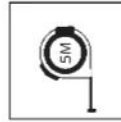
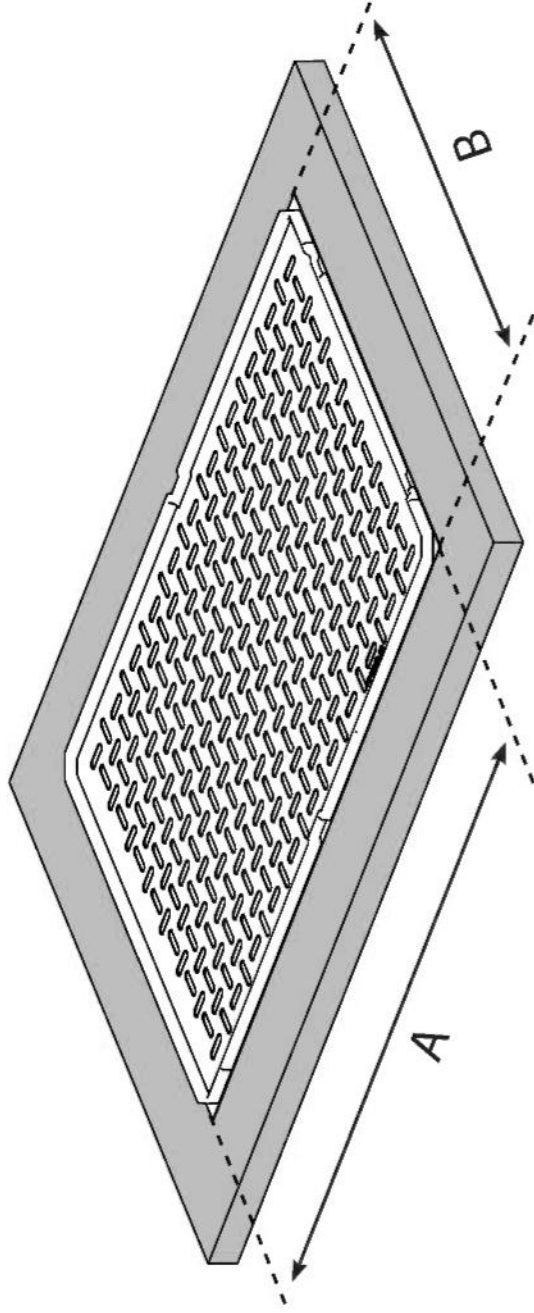


062-287-33-77



info@ritter.ch

BASE DIMENSIONS VOYAGER GARDEN SHED



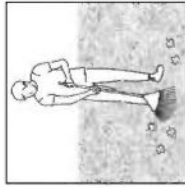
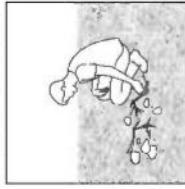
MODEL	WIDTH	LENGTH
3x5 / 1.4x1	A 138 cm / 4'6"	B 82 cm / 2'8"

SITE PREPARATION & FOUNDATION

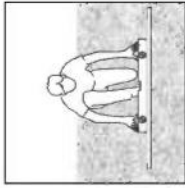
A - PREPARE THE SITE

The product must be positioned and fixed on a flat level surface.

1 - Clear the site



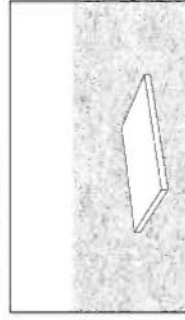
2 - Level the ground



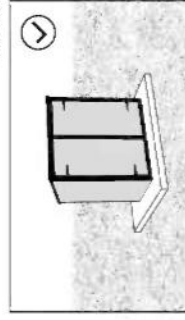
B - CHOOSE YOUR FOUNDATION TYPE

For a foundation, we recommend using three material types : Concrete / Pressure treated wood / wood deck / Paver blocks

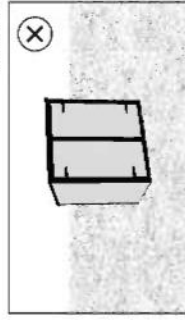
Solid foundation



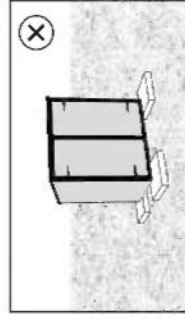
Preferred



Not possible



Not possible



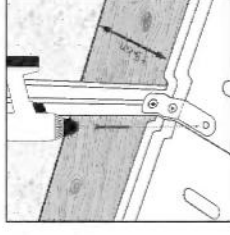
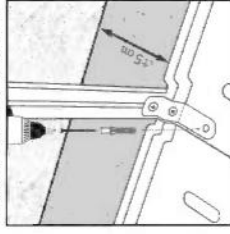
* The size of the product displayed is for illustration purposes only and may not reflect the size of your product.

IMPORTANT

We recommend checking for restrictions or covenants for building this product in your area. In addition we advise to check if you need to submit any forms or if any permit is required prior to building the product.

C - ANCHOR TO FOUNDATION

On a solid foundation



Secure the product to the foundation of your choice using suitable screws & plugs or masonry anchors (not supplied).

Make sure you have at least 5 cm | 2" between the product base and the edges of your foundation - **on all sides.**

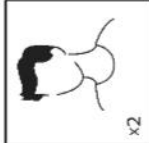







SAFETY ADVICE

- It is of utmost importance to assemble all of the parts according to the directions. Do not skip any steps.
- We strongly recommend using work gloves during panel sliding.
- Always wear shoes and safety goggles when working with extruded aluminium.
- If using a step ladder or power tools make sure that you follow the manufacturer's safety advice.
- Do not touch overhead power cables with the aluminium profiles.
- Do not attempt to assemble the product in windy or wet conditions.
- Dispose of all plastic bags. Keep them out of reach of small children.
- Keep children away from the assembly area.
- Do not lean against or push the products during construction.
- Do not position your product in an area exposed to excessive winds.
- Do not attempt to assemble this product if you are tired, have taken drugs or alcohol or if you are prone to dizzy spells.
- Hot items such as recently used grills, blowtorches etc. must not be stored in the product.
- Make sure there are no hidden pipes or cables in the ground before anchoring to foundation.
- This product is designed to be used mainly as a garden shed.
- To prevent water from seeping through the floor, the product must be mounted on a raised surface from the ground.
- **Make sure to anchor the product directly to a solid foundation to increase the product's stability and wind resistance in areas with severe weather conditions. Make sure that there are no obstructions between the assembly area and the final position of the product. The Palram - Canopia Anchoring kit is available for purchase separately.**

CARE & MAINTENANCE

- When your product needs to be cleaned, use a mild detergent solution and rinse with cold clean water.
- DO NOT use acetone, abrasive cleaners or other special detergents to clean the panels.
- Clean the product once assembly is complete.

TOOLS & EQUIPMENT

- | | | | | | |
|---|---|---|---------------------------------------|--|--|
|  | <input type="checkbox"/> 2 people needed |  | <input type="checkbox"/> Work gloves |  | <input type="checkbox"/> Phillips head Screwdriver |
|  | <input type="checkbox"/> Wrench
10 mm 13/32" |  | <input type="checkbox"/> Tape Measure |  | <input type="checkbox"/> Cordless drill
Phillips head |
|  | <input type="checkbox"/> Electric Drill
With Drill Bit
4 mm 5/32" |  | <input type="checkbox"/> Ladder | | |

BEFORE ASSEMBLY

- Selecting a site:
 - Choose your site carefully before beginning assembly.
 - Choose a sunny position away from overhanging trees.
 - The product must be positioned and fixed on a flat level surface.
- The product must be secured directly to a solid foundation.
- This is a multi-part assembly best achieved by two people. Allow at least half a day for the assembly process.
- Take all components & parts out of the packages. Sort the parts and check against the content parts list.
- Parts should be laid out close at hand. Keep all small parts (screws etc.) in a bowl so they do not get lost.
- Please note multi-sided profiles are used in this product. As a result: some holes in the profiles are not used during assembly.
- Please review entire instructions before starting. Carry out the assembly steps in exact order.
- Please consult your local authorities if any permits are required prior to constructing the product.
- Please ensure you have sufficient side space for inserting the roof panels during the assembly process.

IMPORTANT!

- Firmly connect the product to a level surface immediately after completion of the assembly.
- Anchoring this product to the ground is essential to its stability and rigidity. It is required to complete this stage in order for your warranty to be valid.
- During assembly use a soft surface below the parts to avoid scratches and damages.

DURING ASSEMBLY

- During assembly, you will encounter different icons for different products. Please see below for more information:



- During assembly you will encounter the information icon, please refer to the relevant assembly step for additional comments and assistance.
- You may use silicone lubricant spray on the frame in order to help you slide the panels into the profiles. Do not spray the panels.



- Use a rubber mallet if necessary.



- Make sure you remove covering plastic film from both sides of the panel.



- All panels with the stamped words "THIS SIDE OUT" must be facing out to create full UV protection. Remove plastic sticker as panels are locked in place.



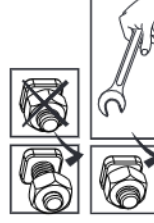
- This icon indicates that the installer should be inside the product.



- This icon indicates that the installer should be outside the product.



- Steps marked with dashed outlines refer to Extensions only.
- Some of the steps are irrelevant for an assembly of a single product.
- When assembling a single or an extended product, some parts may be surplus.



- These 2 icons below indicate if screw's tightening is required or not.
- Temporary tightening of a few screws may be needed to prevent a profile from sliding out.
- Tighten all screws once assembly is completed.



IMPORTANT ASSEMBLY STEPS

When encountering this information icon during assembly, please refer to the relevant assembly step for important additional comments.

Step 1:

Please note the base's direction.

Step 17:

Note that panels and profiles are connected in the right direction and that profile holes are placed correctly as illustrated.

Step 22:

Door Assembly

Note the panels, profiles and holes directions.















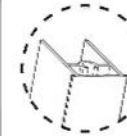






Steps

24+25:

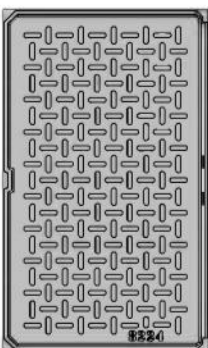
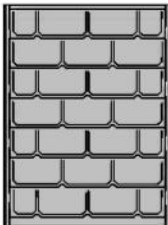



















Attach side profiles to the door panel before inserting screws no. 7444.

Step 28:

Anchor the shed on to a solid surface such as concrete, asphalt or wood deck; use suitable screws and plugs. (Screws and plugs are not supplied).

Item	Qty.	Item	Qty.	Item	Qty.
8239	2		1	8219	1
8240	2		2	8220	1
8241	1		1	8221	1
8242	2		4	8222	1
8243	2		1	8251	2
8244	1		2	7775	2
8245	1		2	7720	3
8246	1			8247	2
8247	2			8248	1
8248	1			8249	1
8249	1			7726	4
7726	4			8250	1
8250	1			8223	2
8223	2				

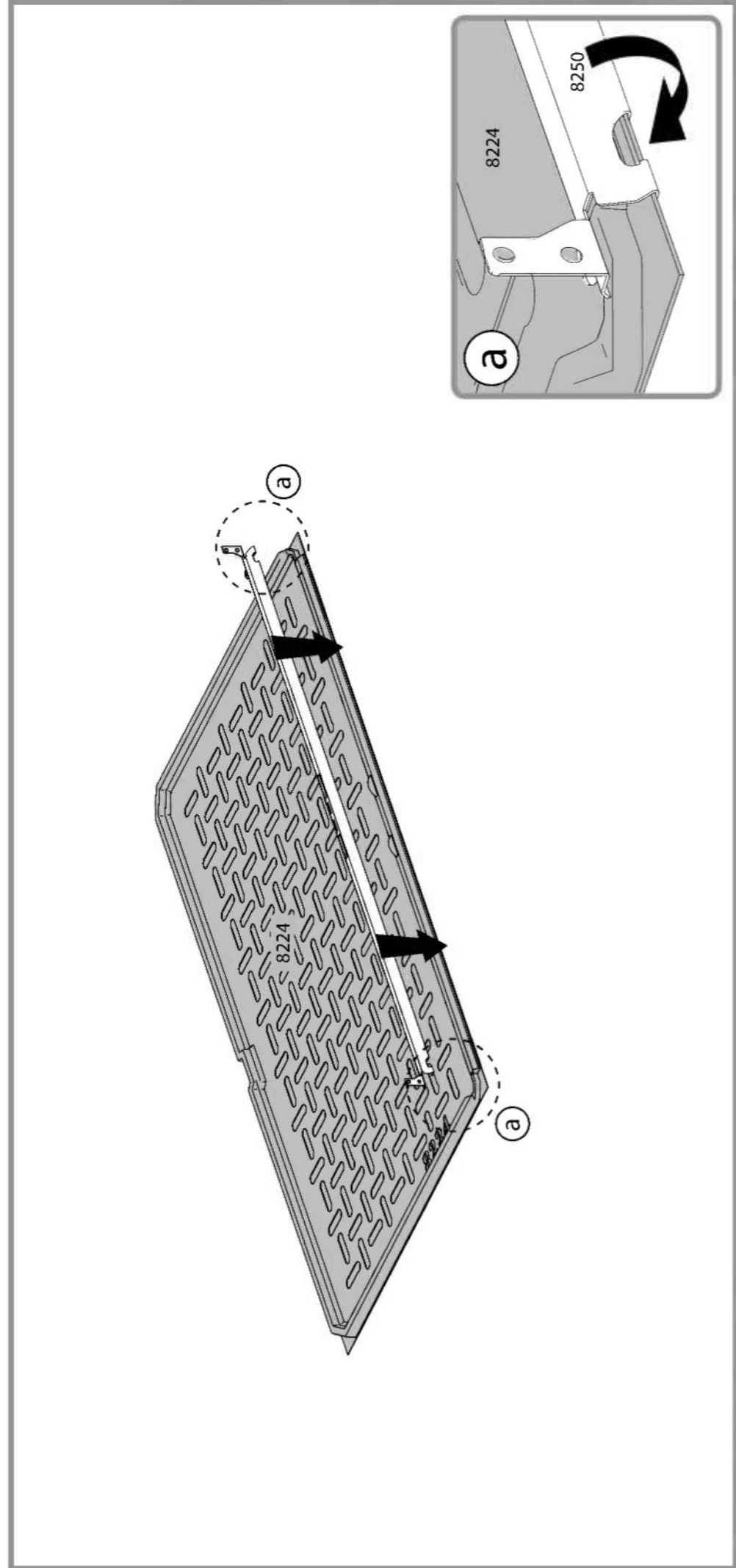
Contents

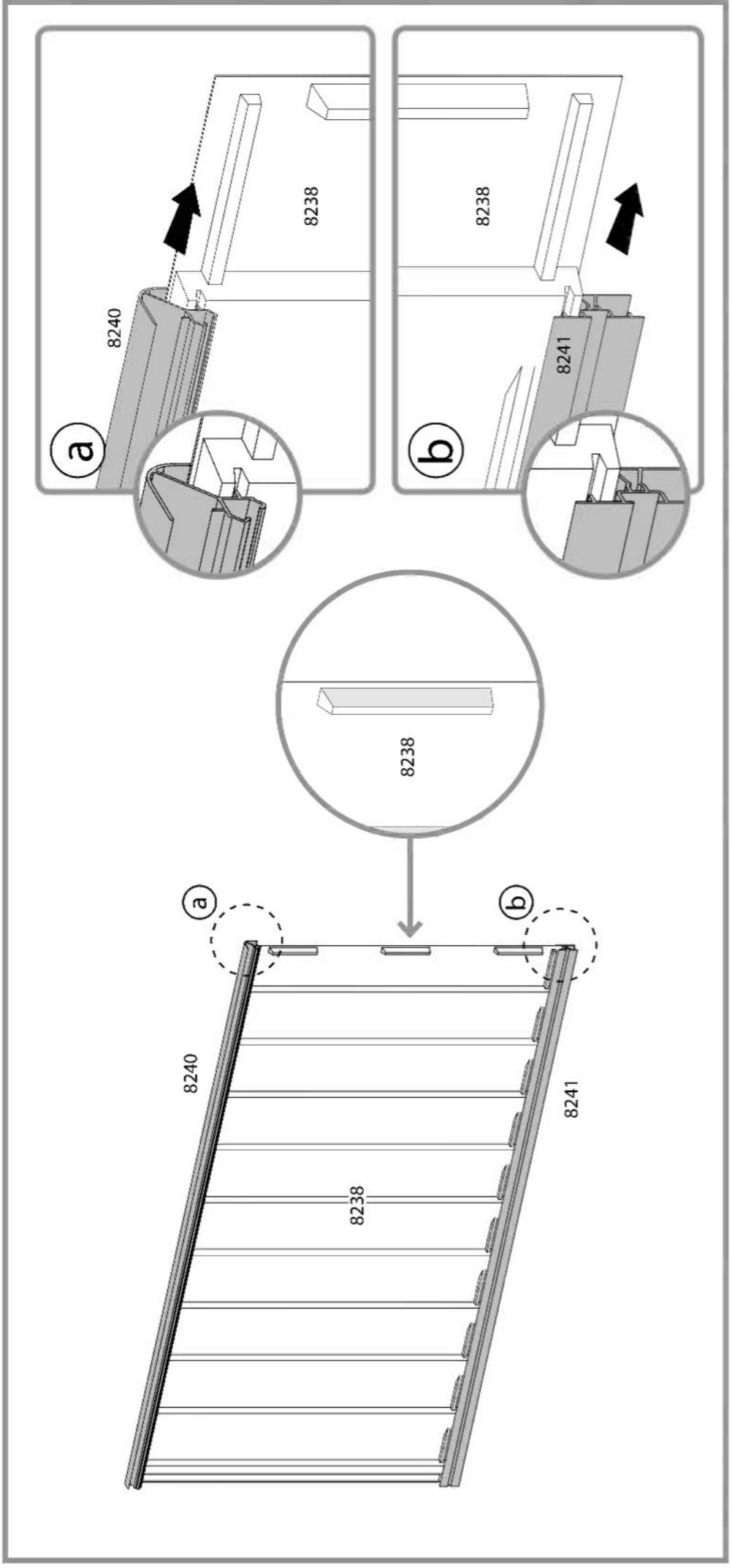
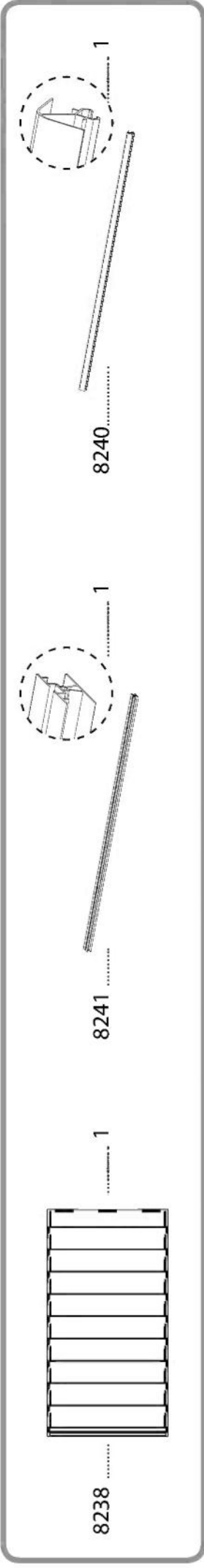
8224		1	Item	Qty.
8235		2	Item	Qty.
8237		1	Item	Qty.
8236		1	Item	Qty.
8238		2	Item	Qty.
8232		2	Item	Qty.
411		24 (+2)	Item	Qty.
466		24 (+2)	Item	Qty.
7441		3	Item	Qty.
7442		10 (+1)	Item	Qty.
7444		26 (+2)	Item	Qty.
7524		8	Item	Qty.
4008 Black		4	Item	Qty.
4008 Silver		2	Item	Qty.
431		10 (+1)	Item	Qty.
422		10 (+1)	Item	Qty.
428		10 (+1)	Item	Qty.
7356		4	Item	Qty.
8480		1	Item	Qty.
7870		2	Item	Qty.
7871		2	Item	Qty.

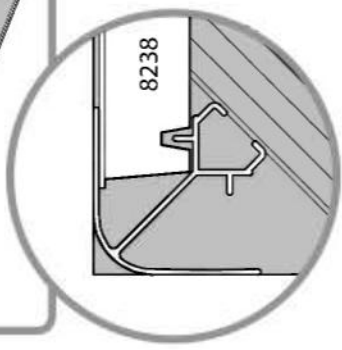
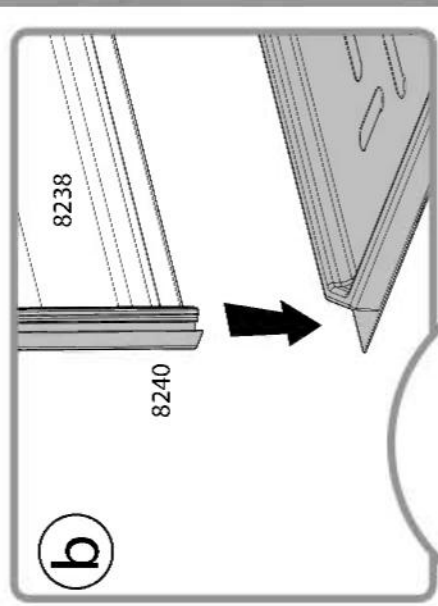
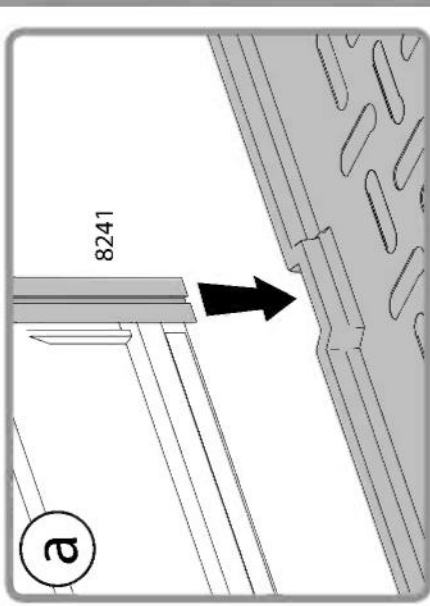
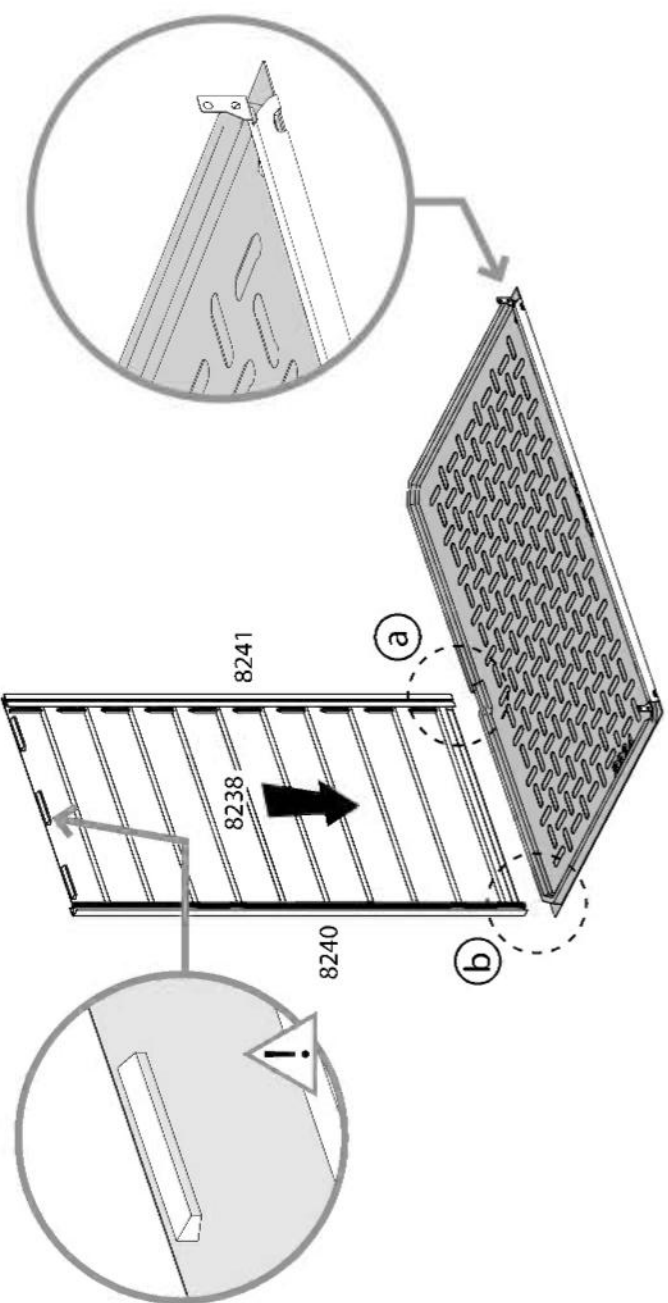
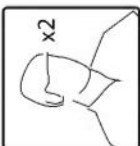
1



Please note the base's direction.

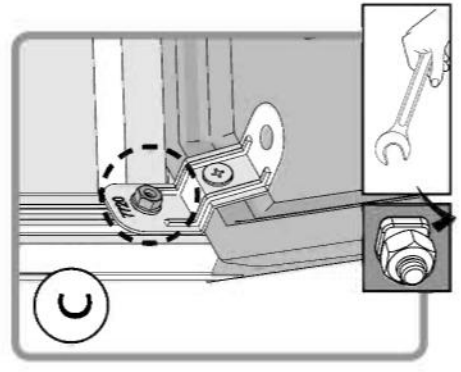
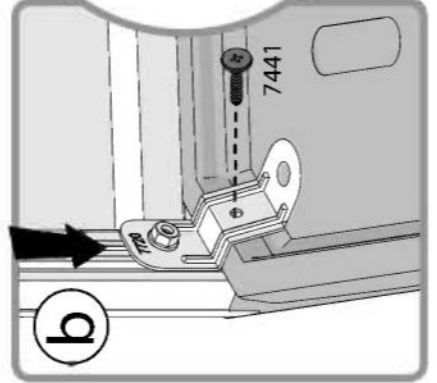
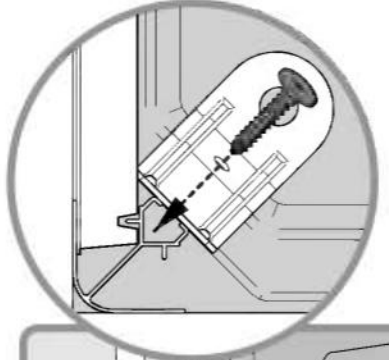
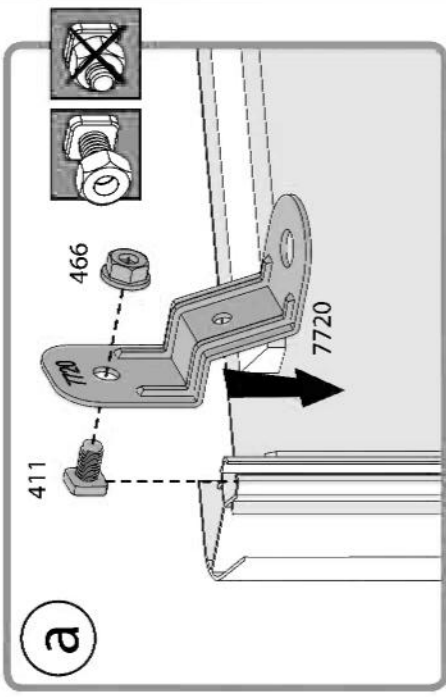
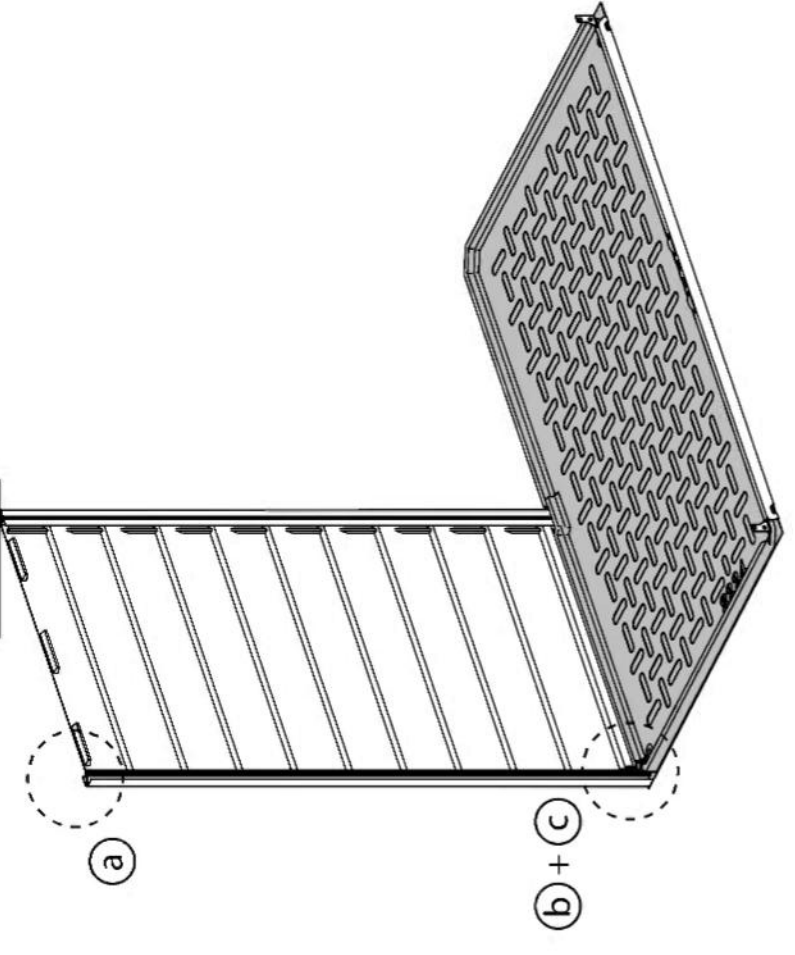







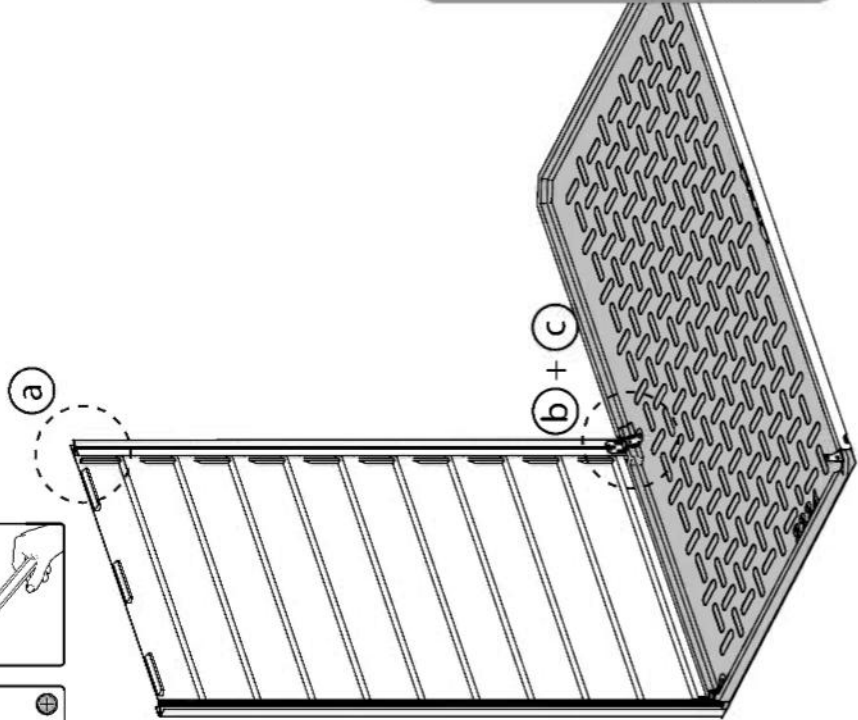
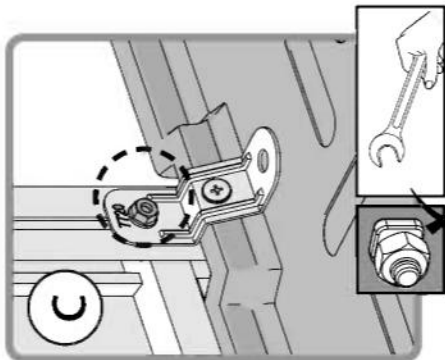
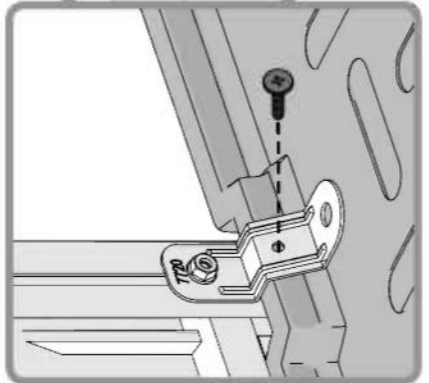
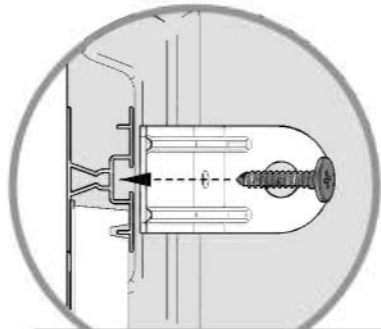
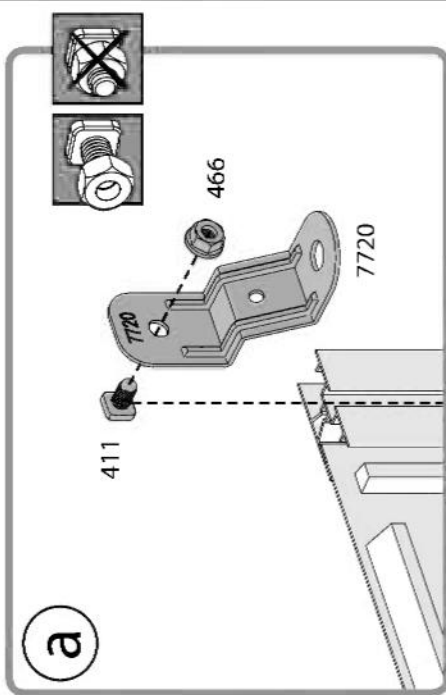


- 
 7720 1
- 
 411 1
- 
 466 1
- 
 7441 1

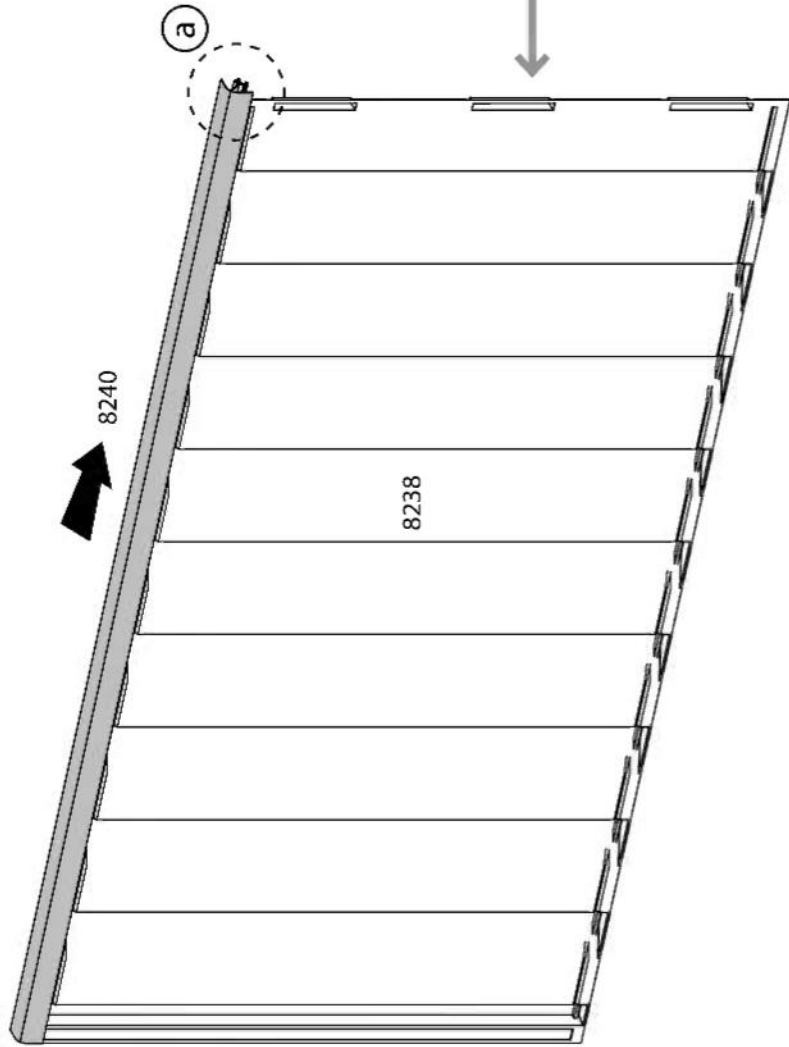
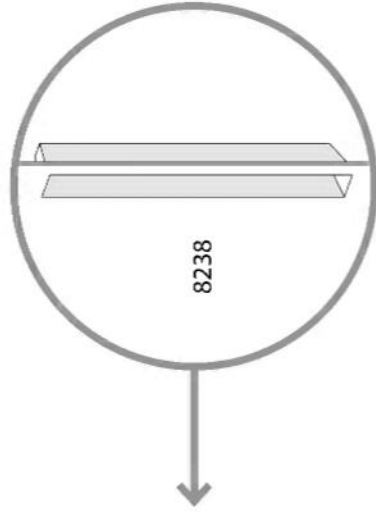
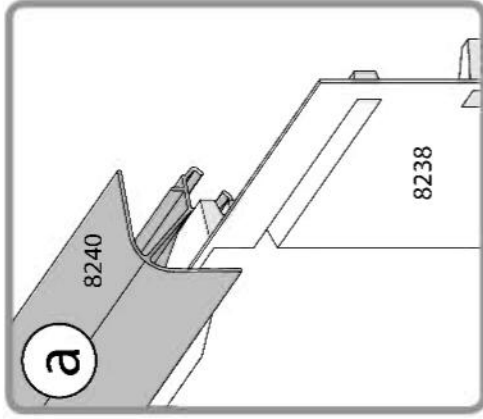




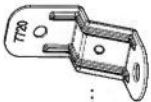



- 7720 1  1  1
- 411 1  1  1

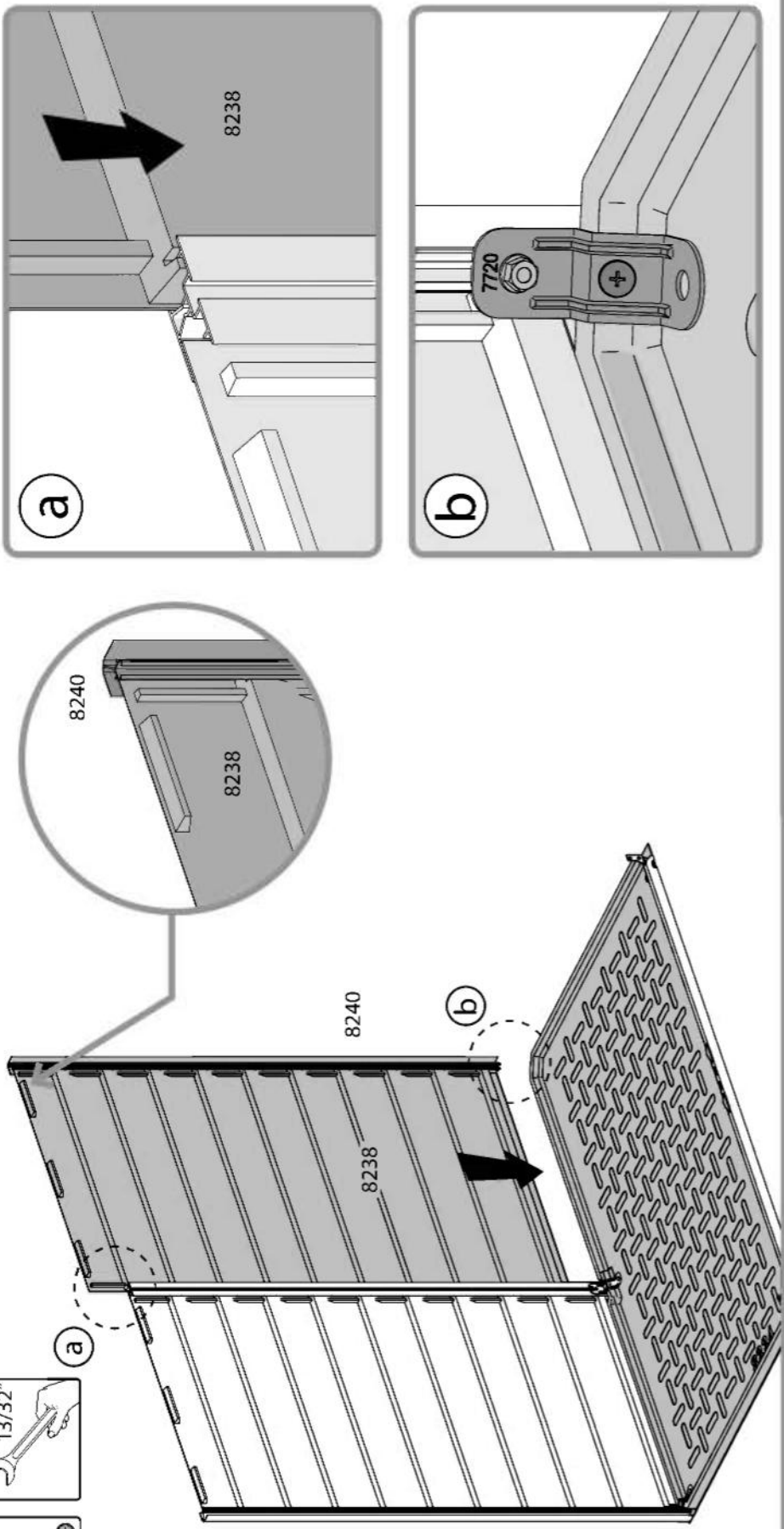


6





- 7720 1 
- 411 1 
- 466 1 
- 7441 1 



10mm
13/32"



x2

a

8240

8238

8240

8238

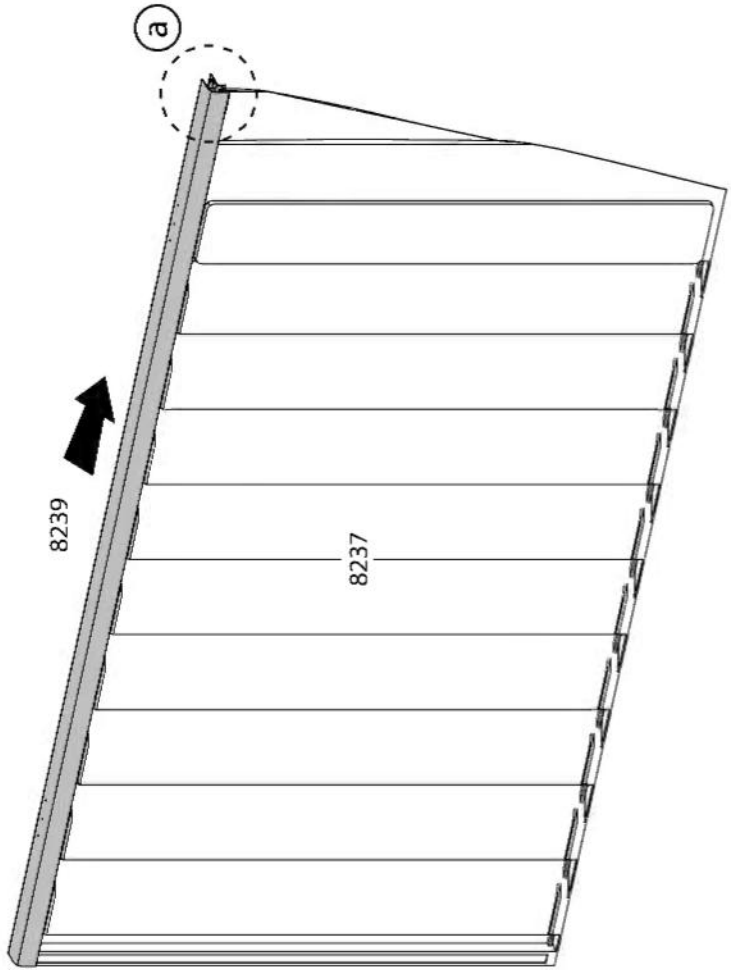
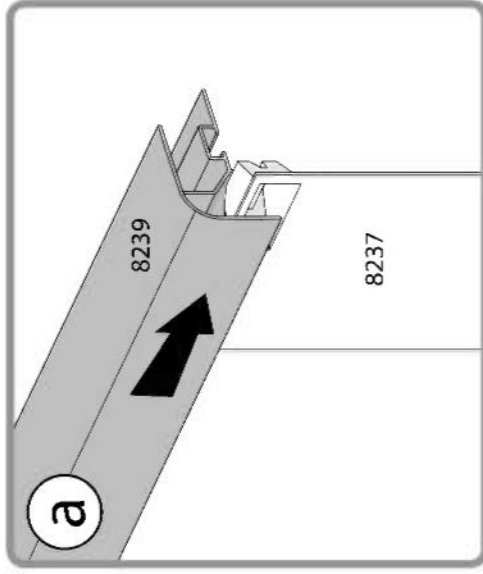
b

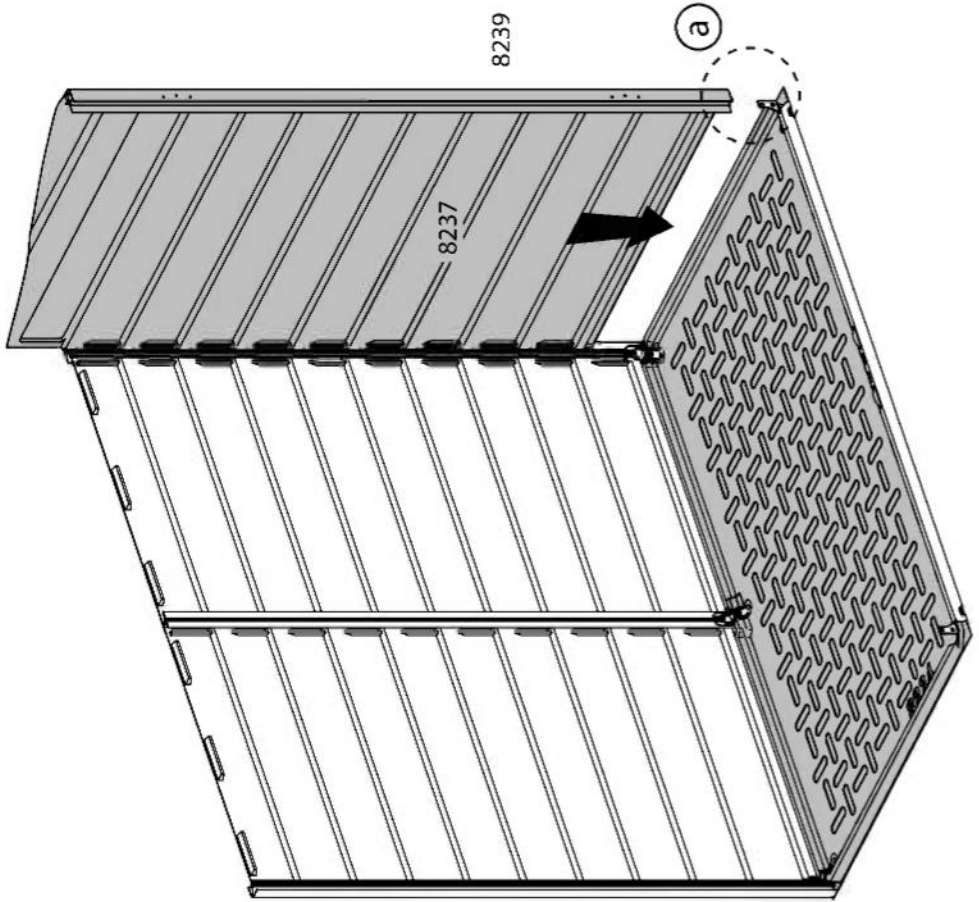
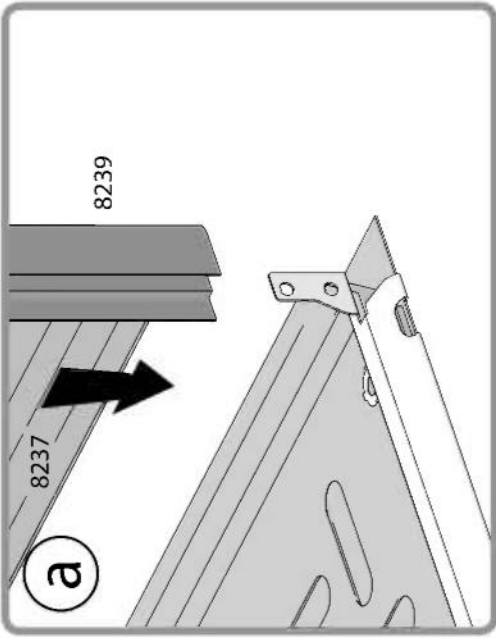
a

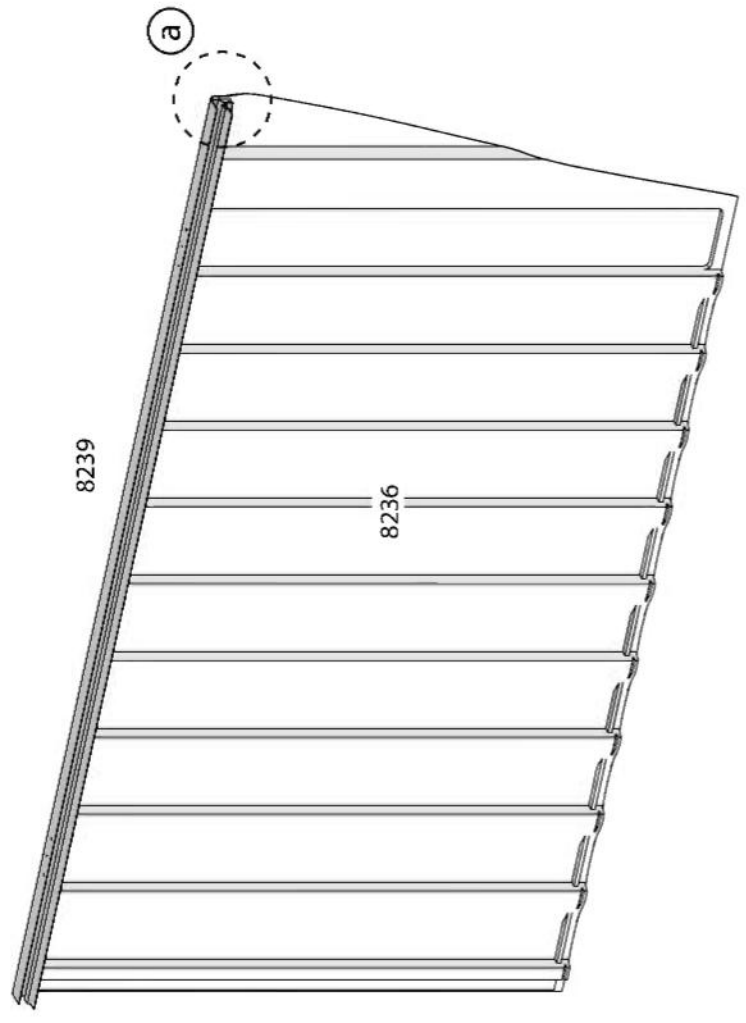
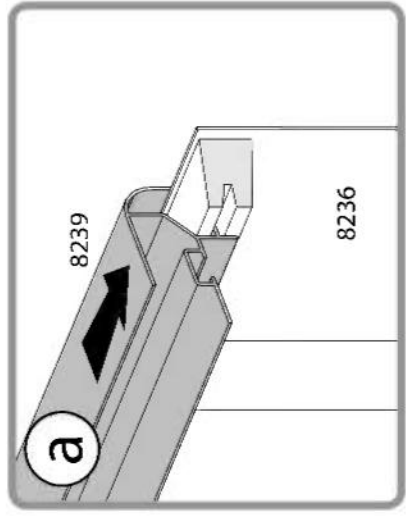
8238

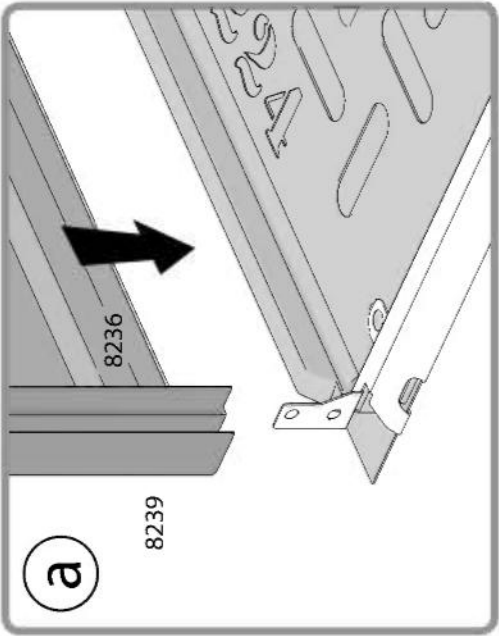
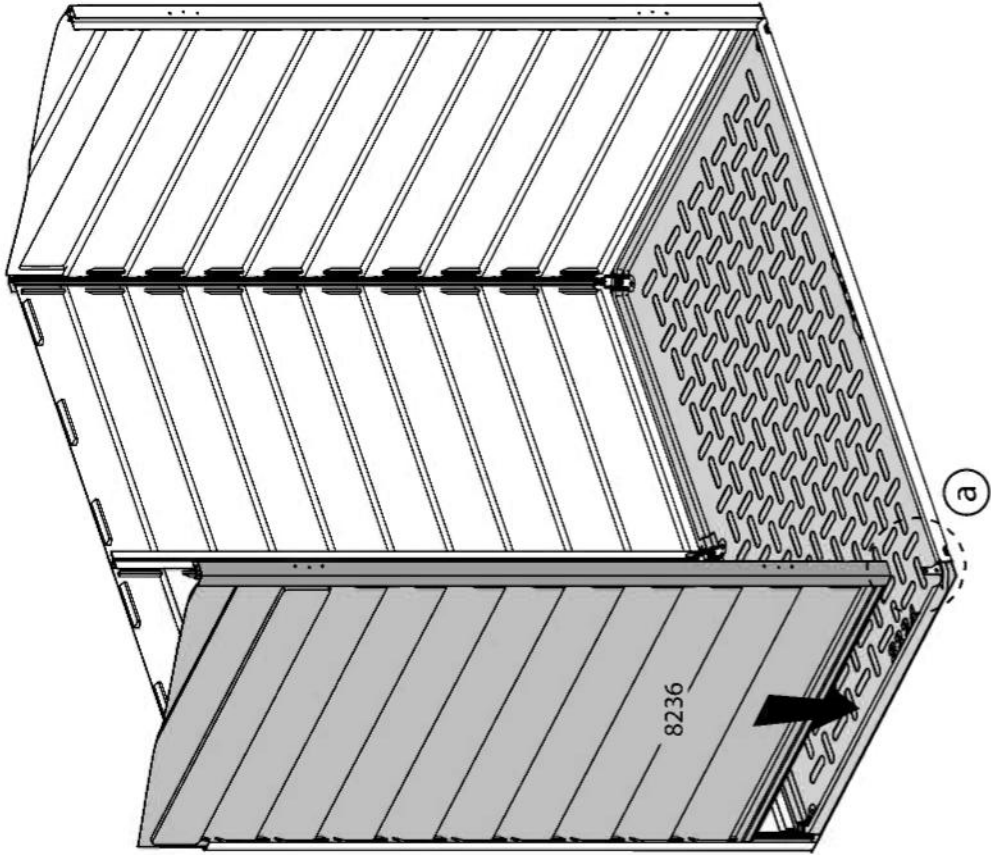
b

7720



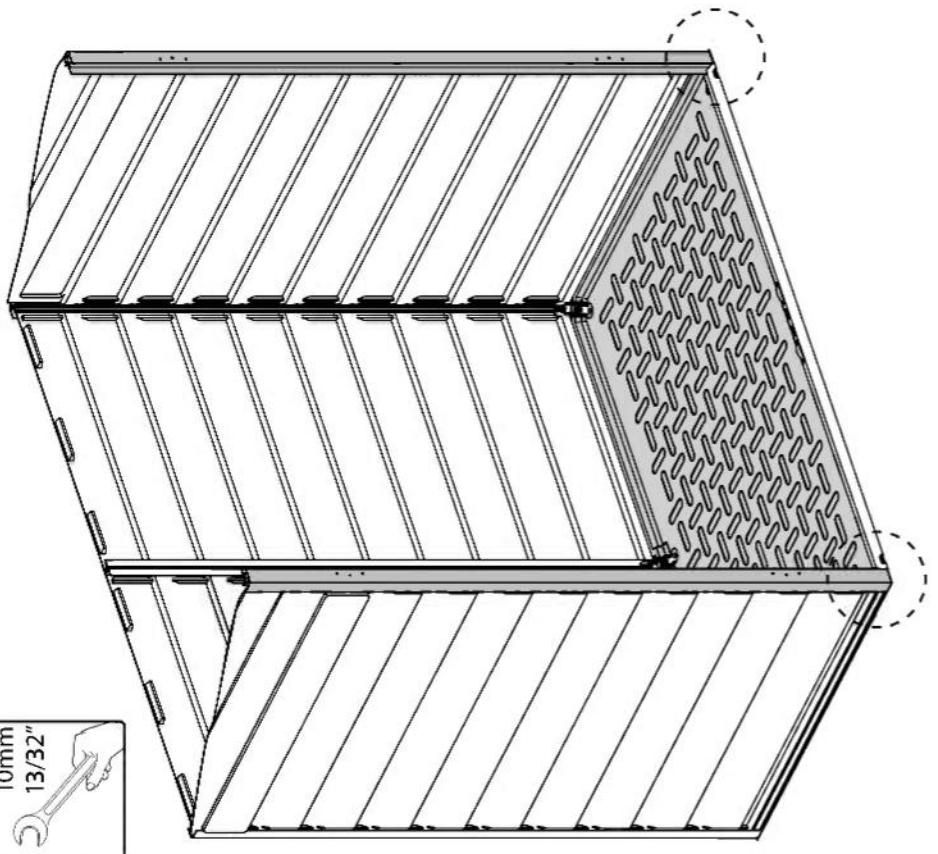
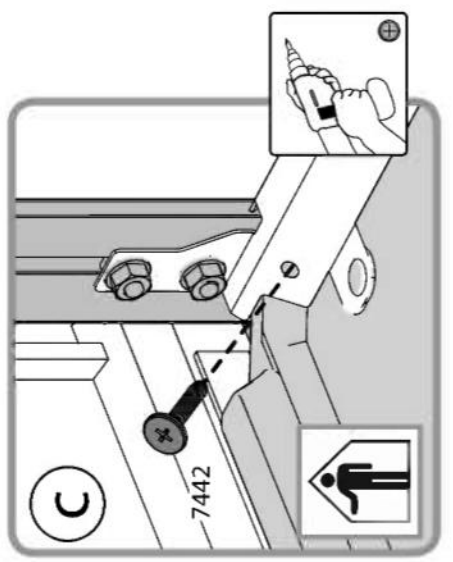
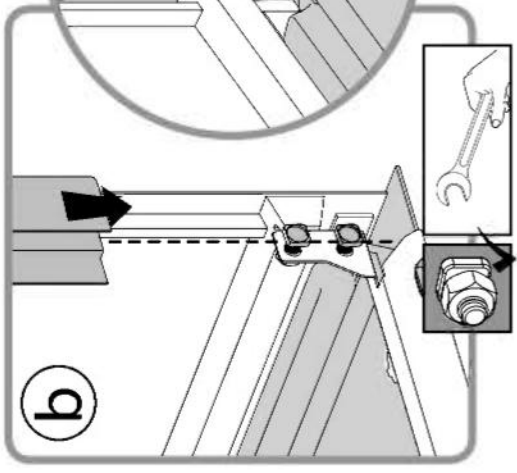
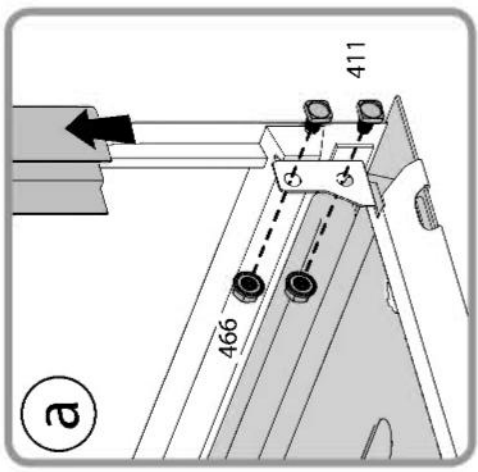






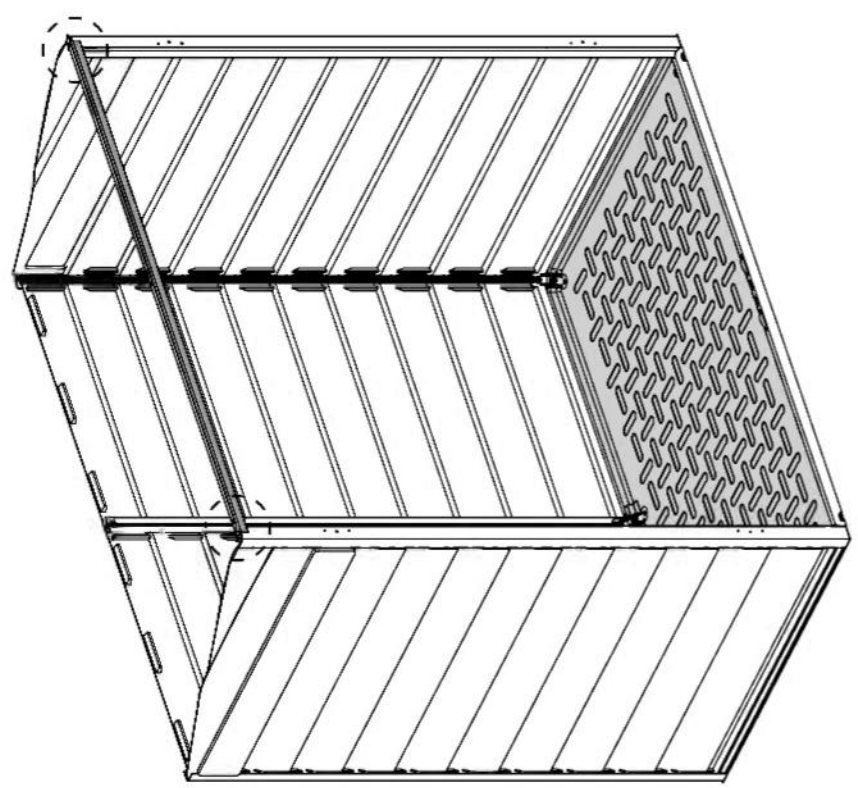
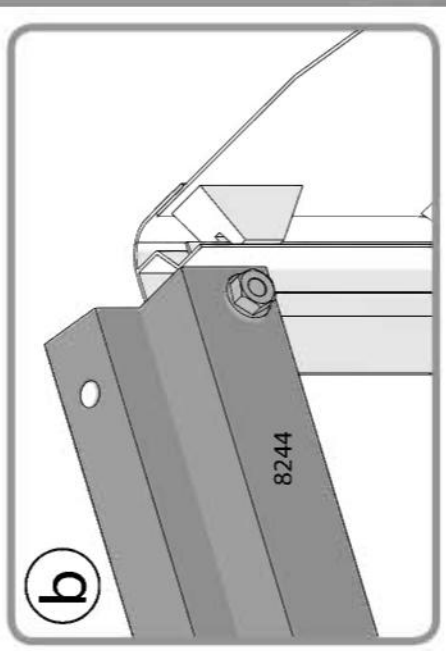
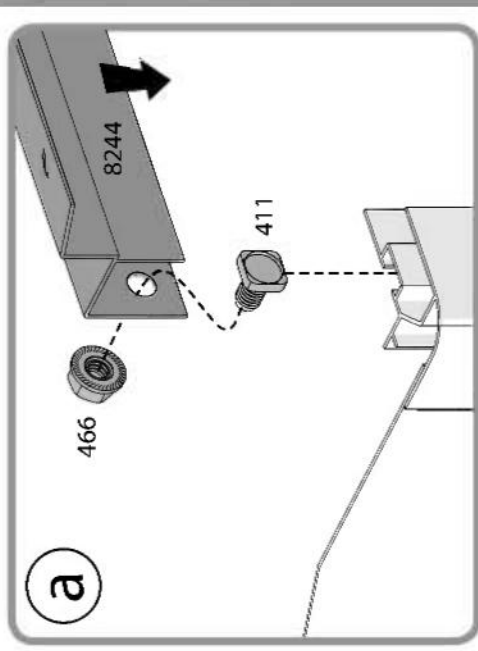


- 411 4  4
- 466 4  4
- 7442 2  2





- 8244  1
- 411  2
- 466  2





8245



..... 1



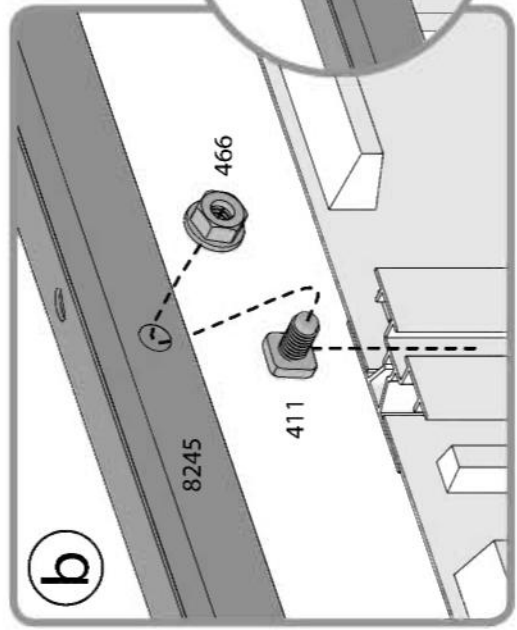
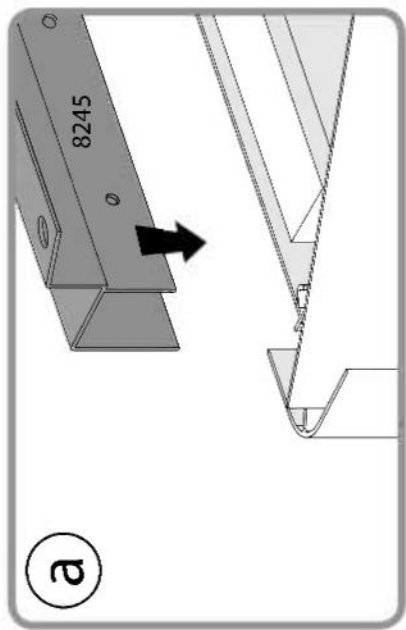
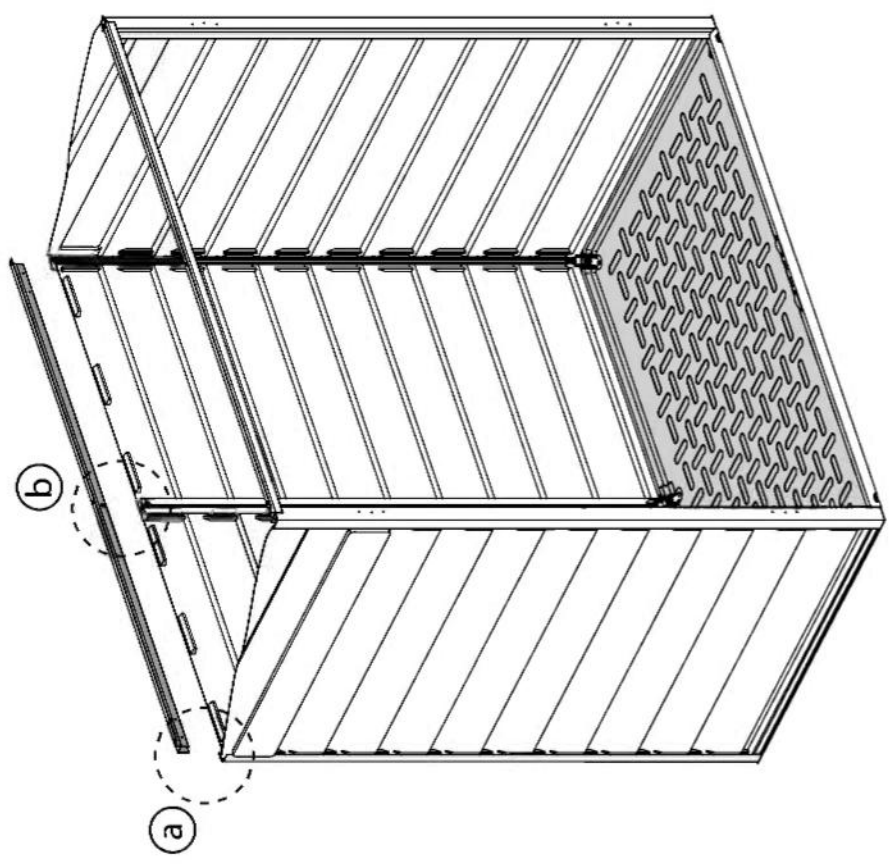
411

..... 1

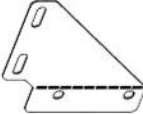





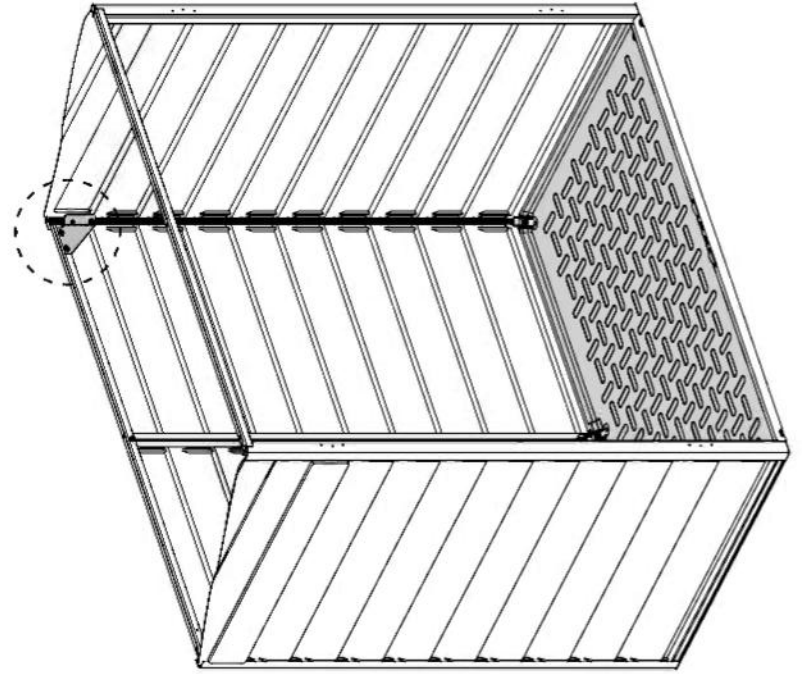
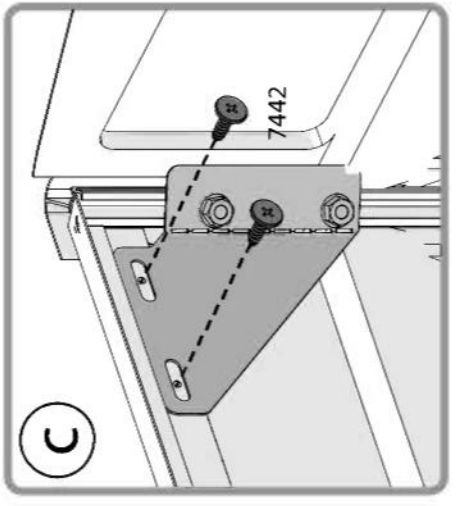
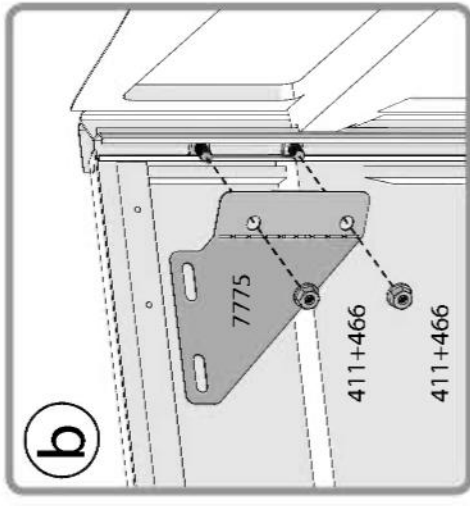
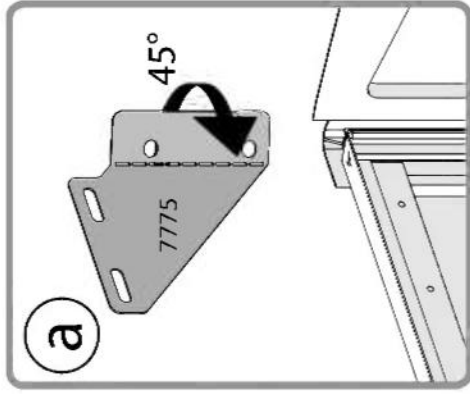
466

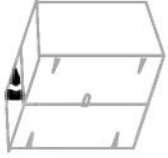
..... 1

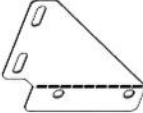





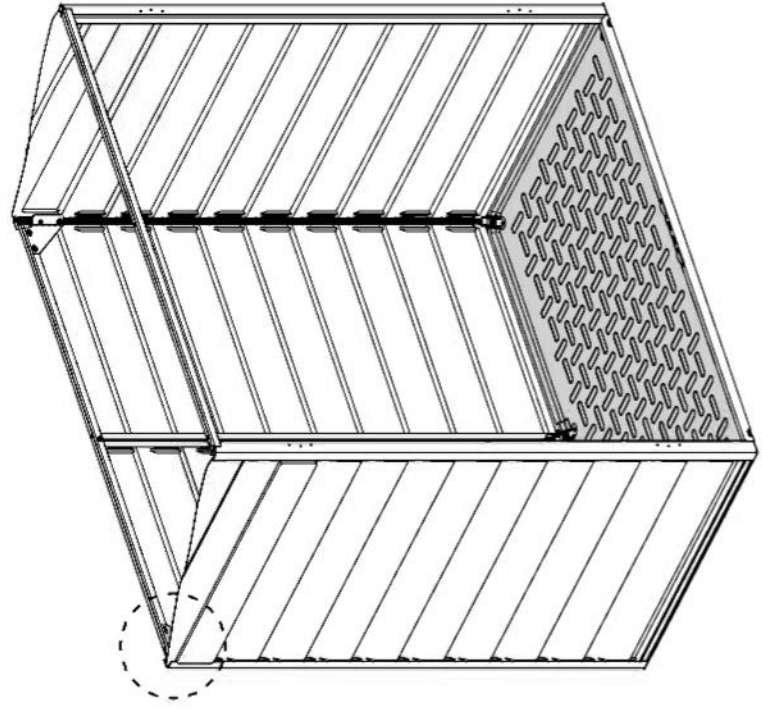
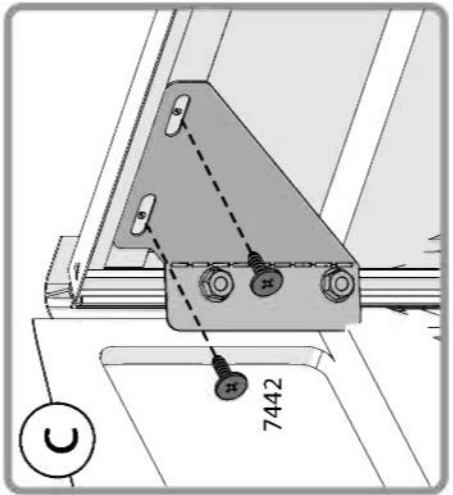
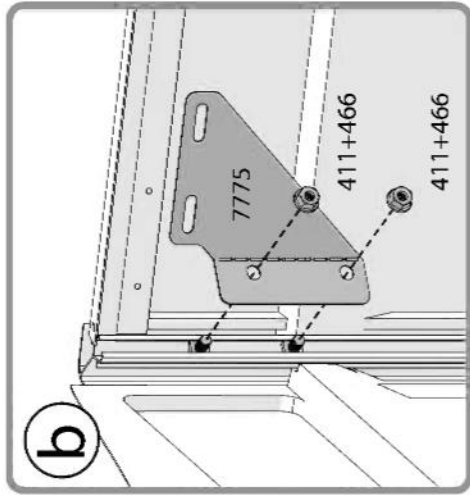
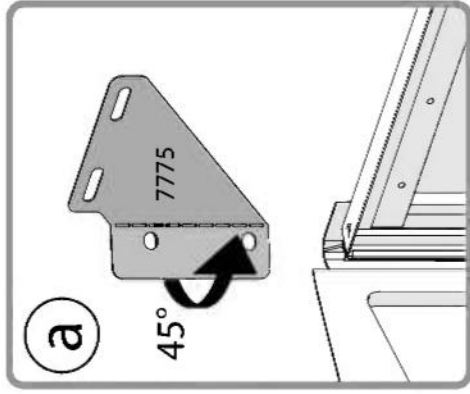


- 7775 1 
- 411 2 
- 466 2 
- 7442 2 










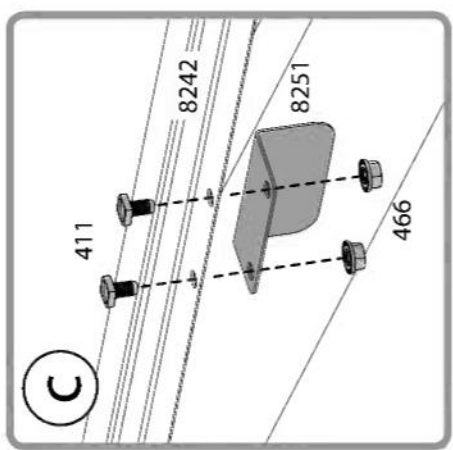
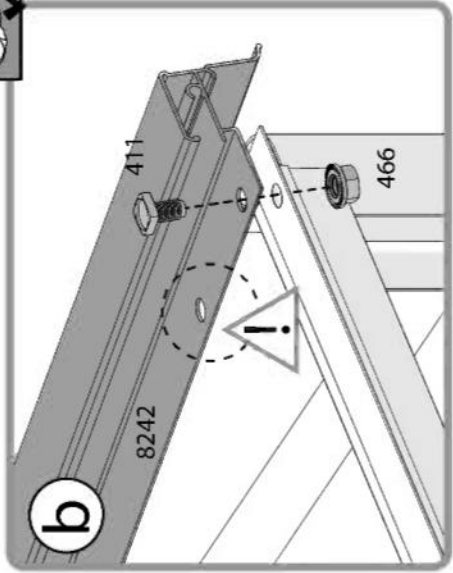
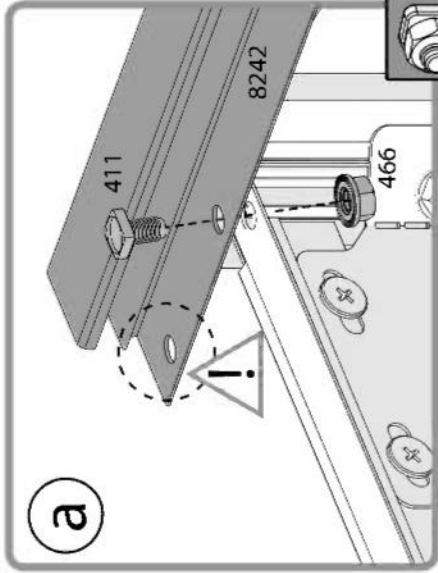
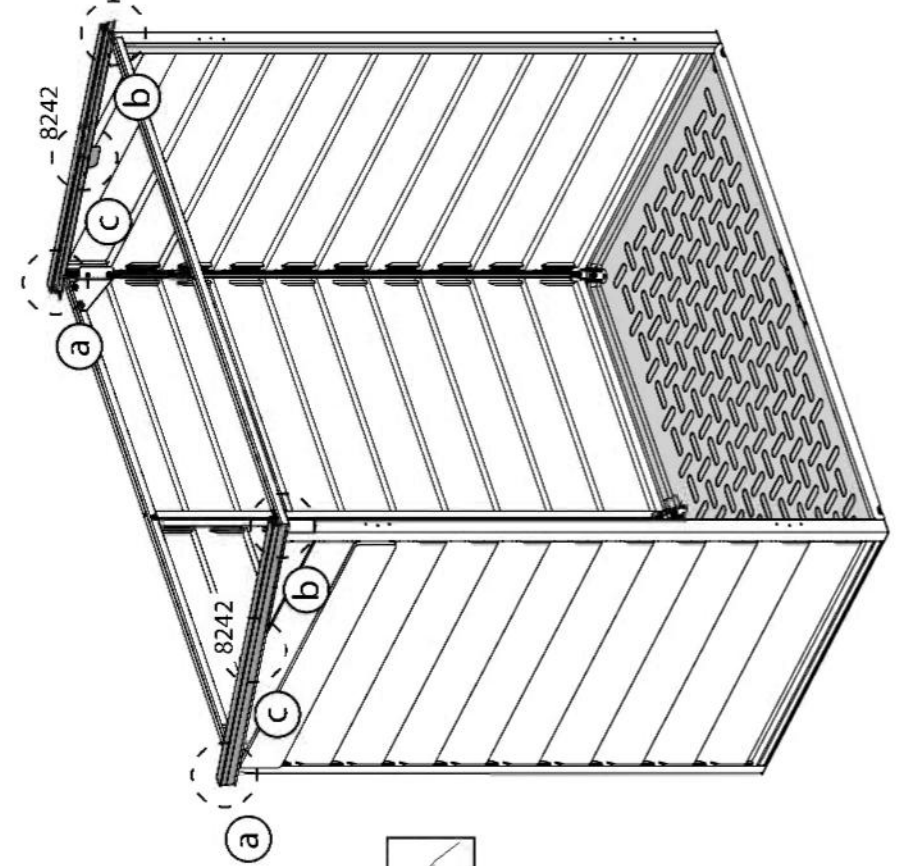
- 7775 1 
- 411 2 
- 466 2 
- 7442 2 

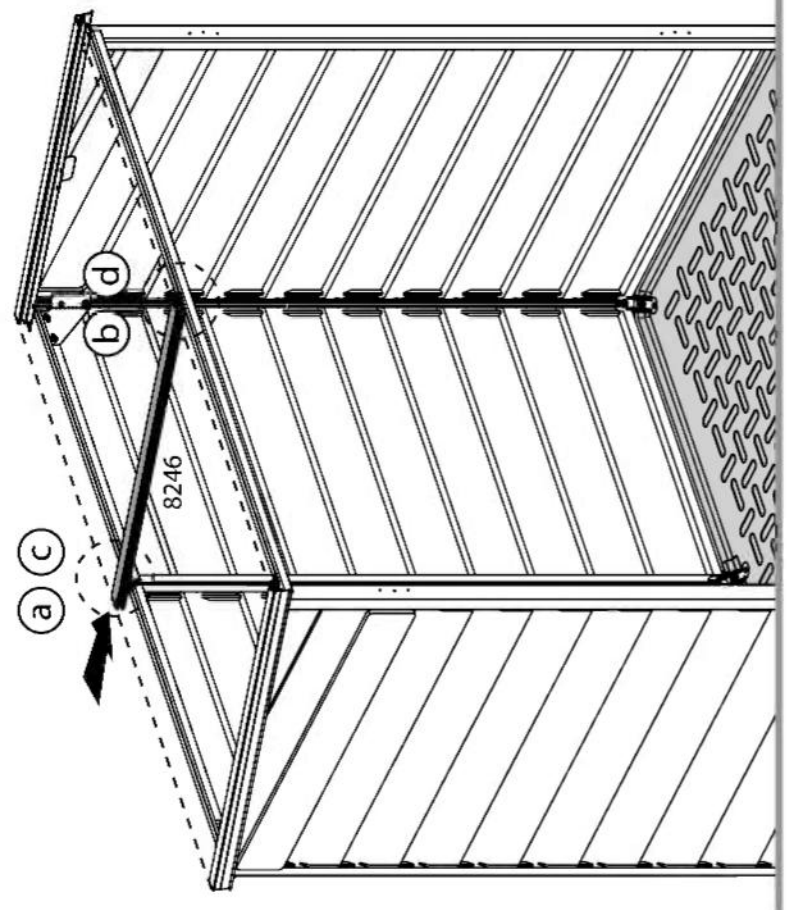
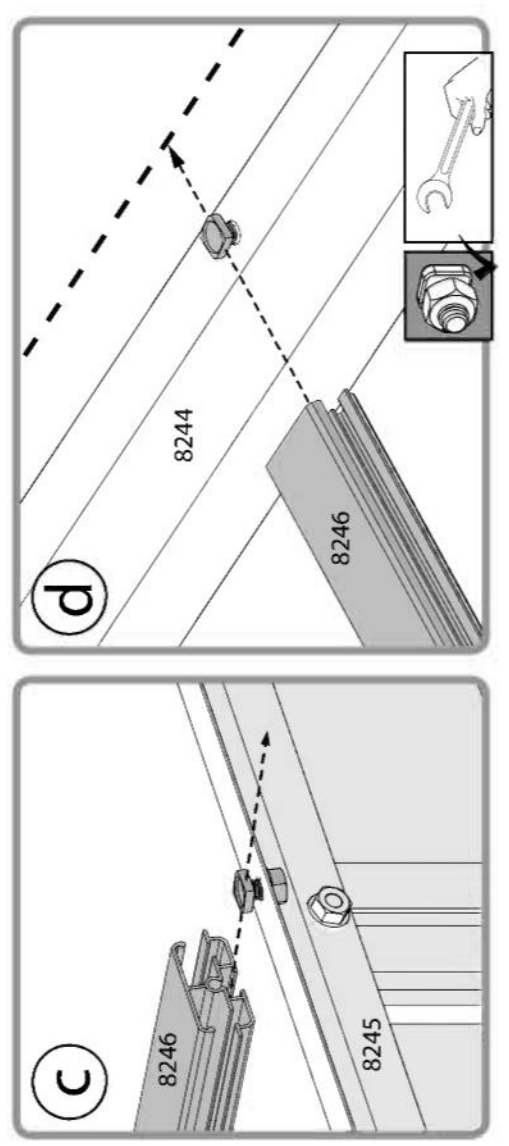
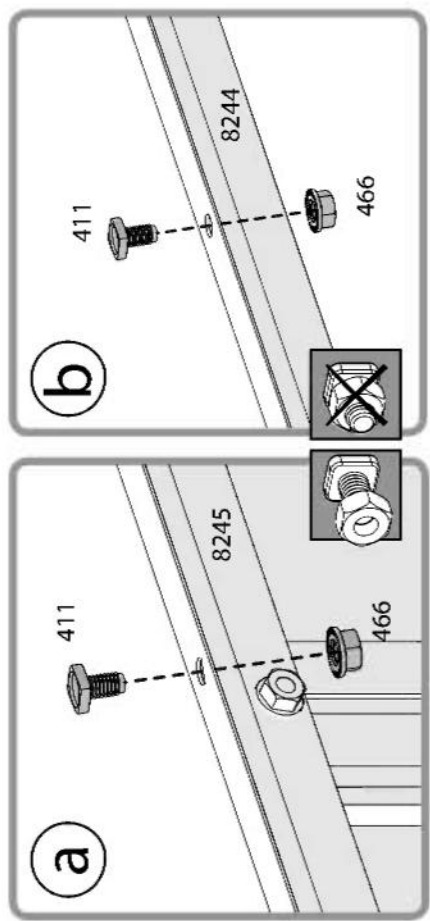


i Note that panels and profiles are connected in the right direction and that profile holes are placed correctly as illustrated.



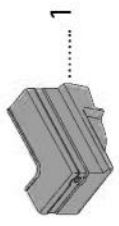
- 8242 2 
-  8251 2
- 411 8 
- 466 8 
- 8 8 







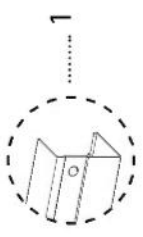
- 4008 ... 1
Silver
- 4008 ... 2
Black



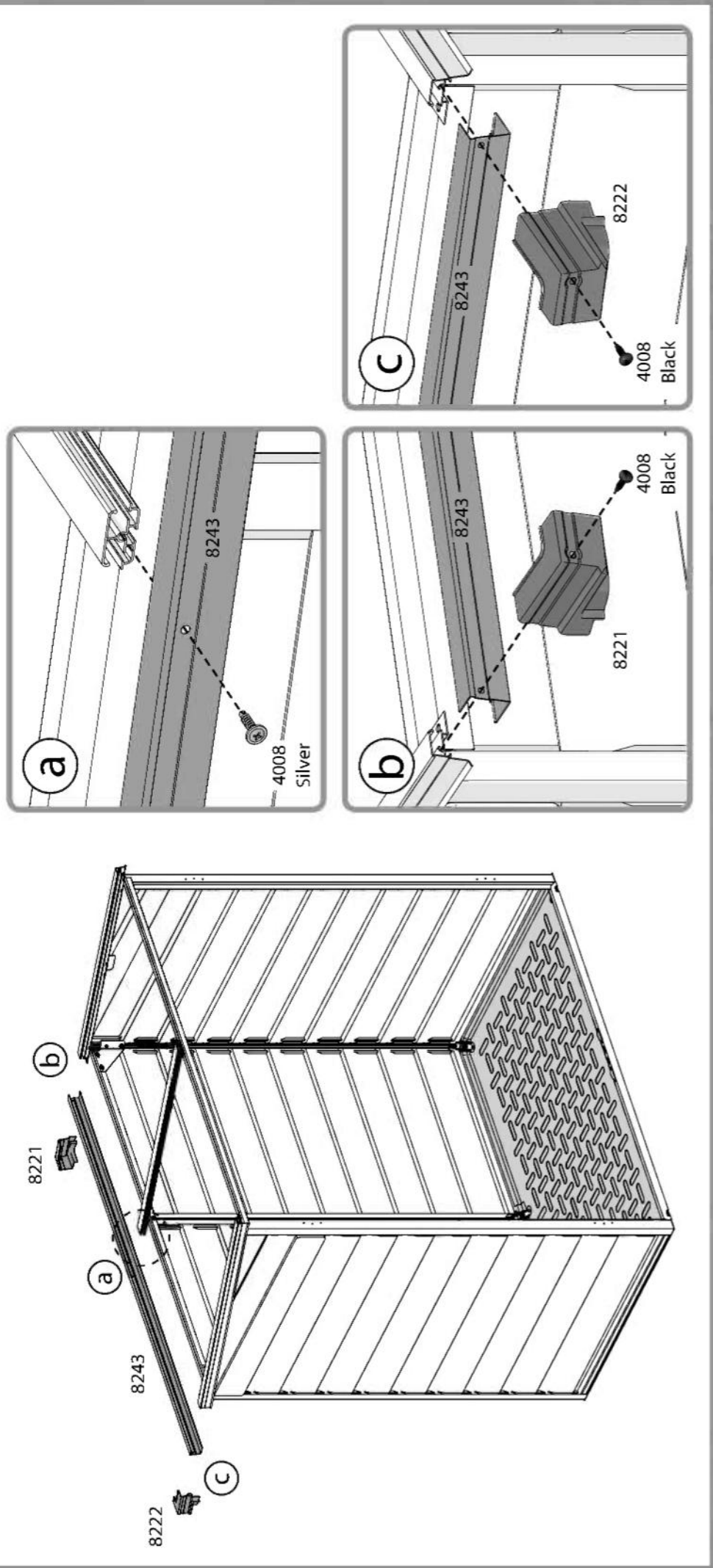
8222

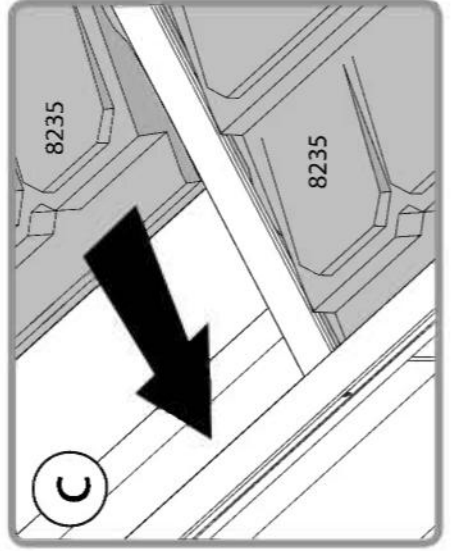
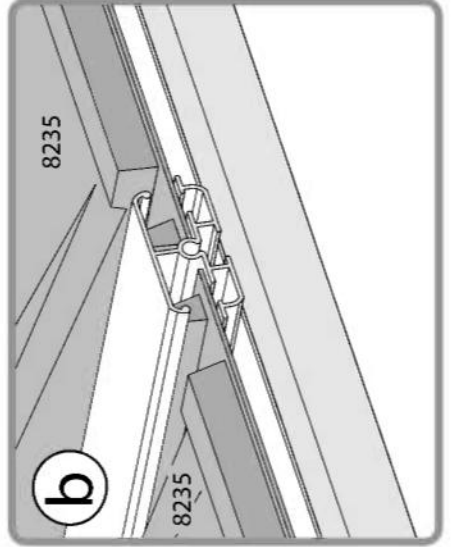
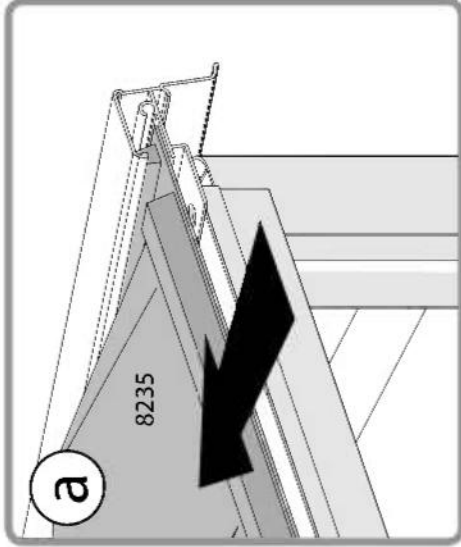
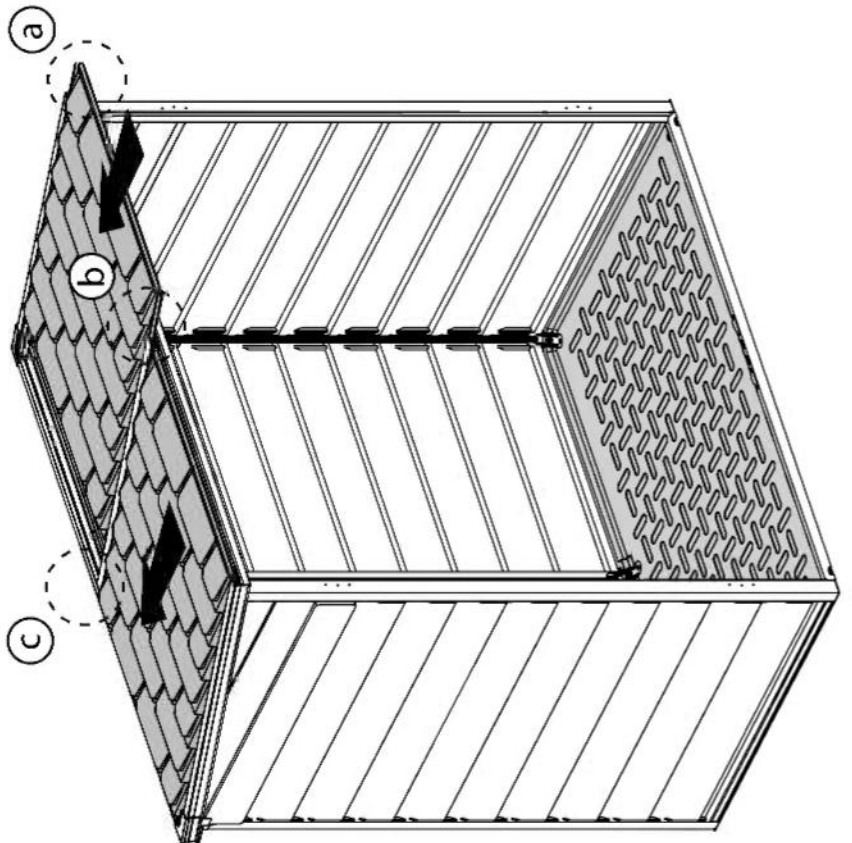
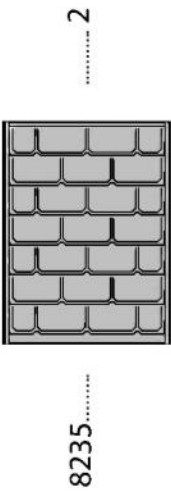


8221



8243

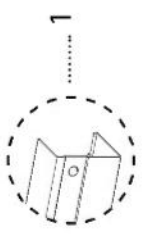






8243

 1



8219





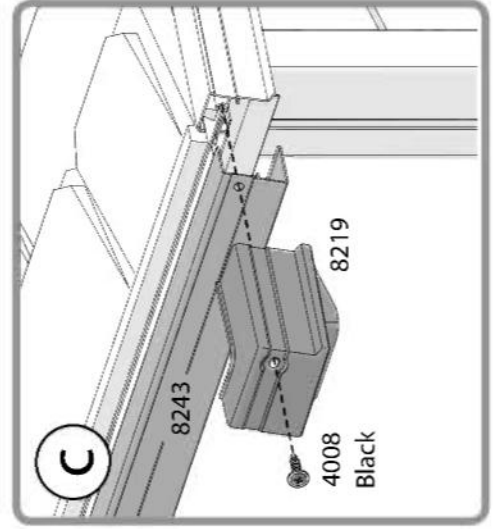
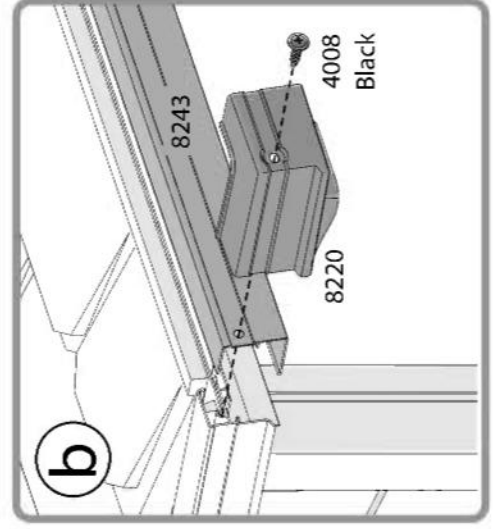
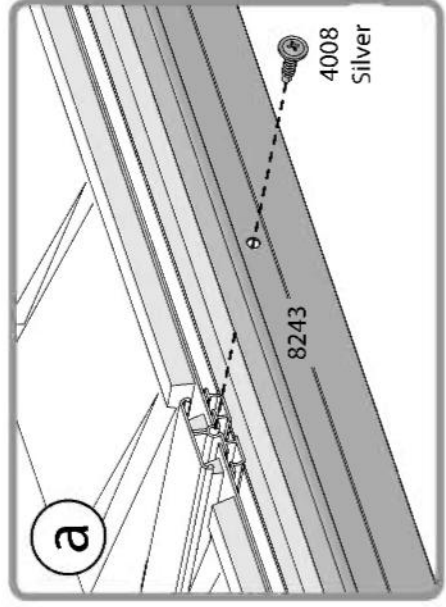
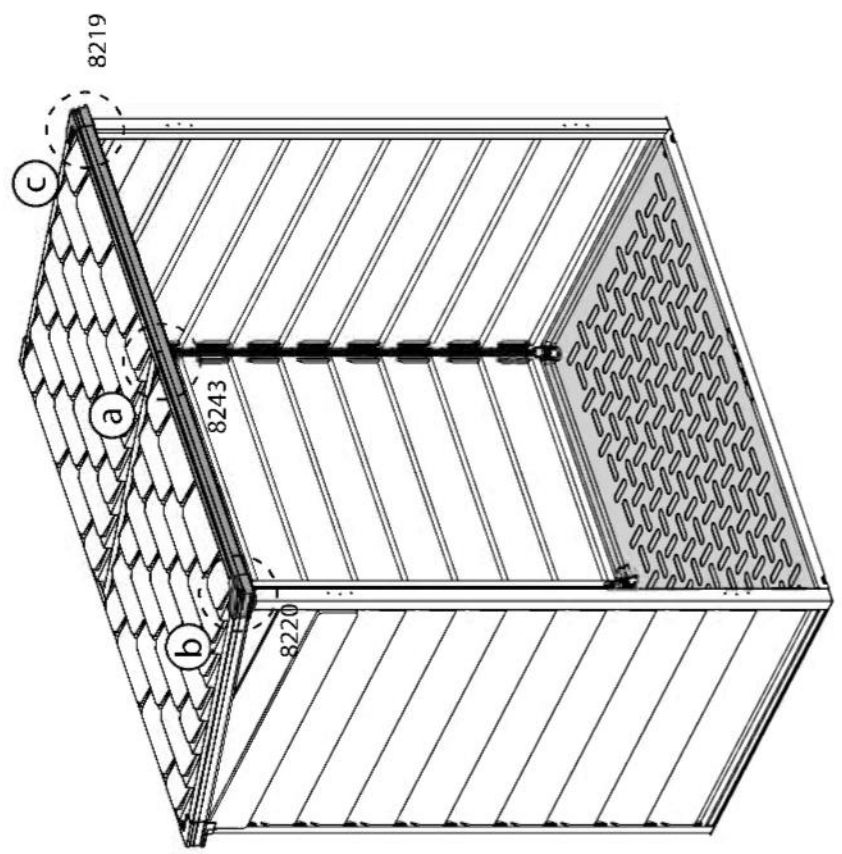
..... 1

8220

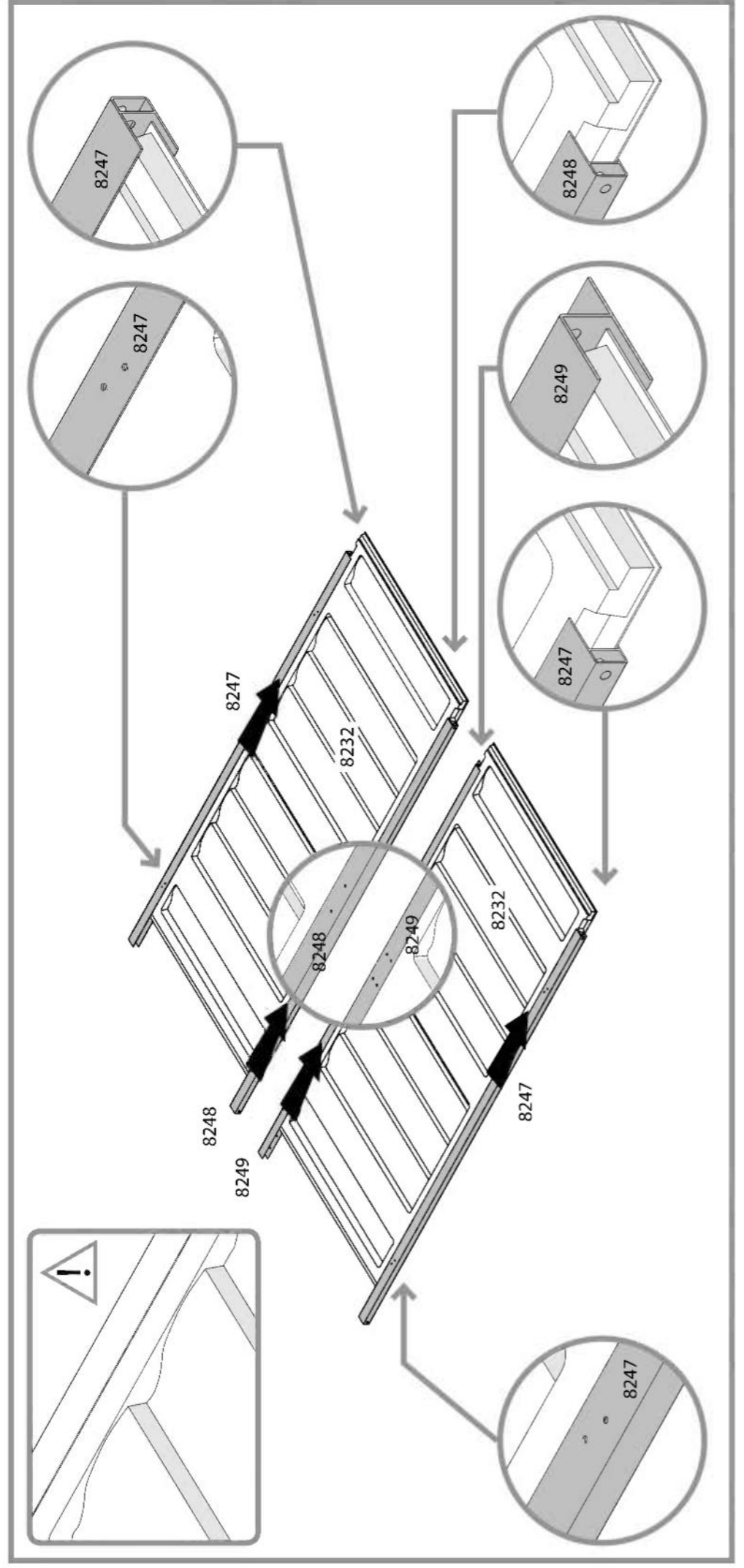
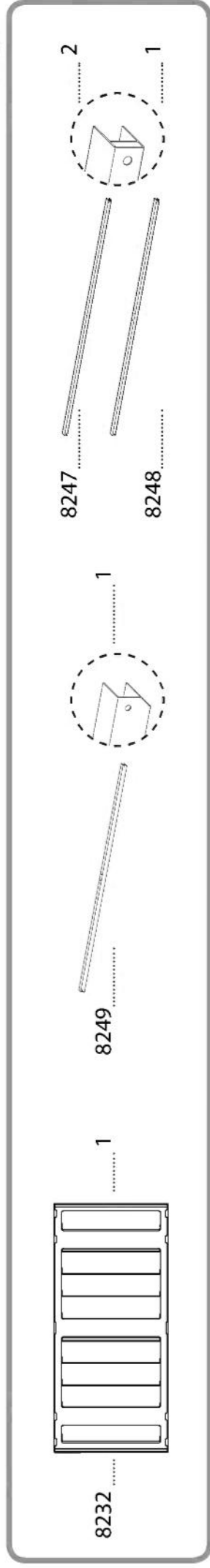


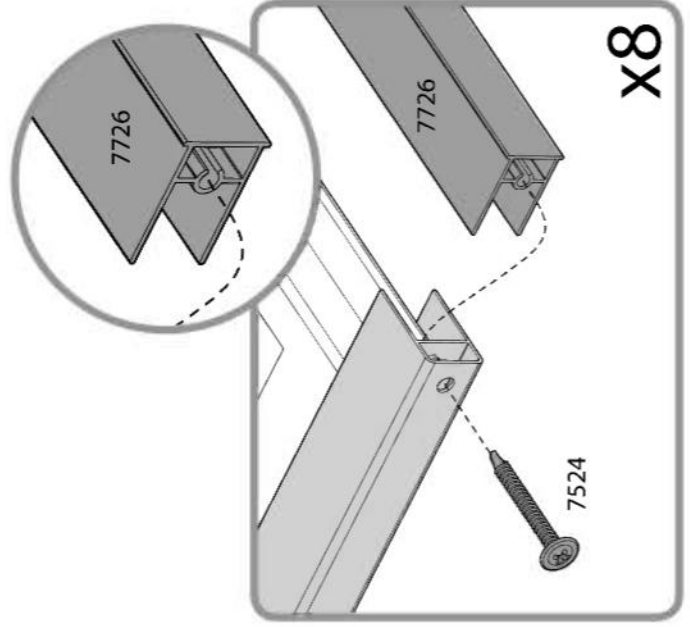
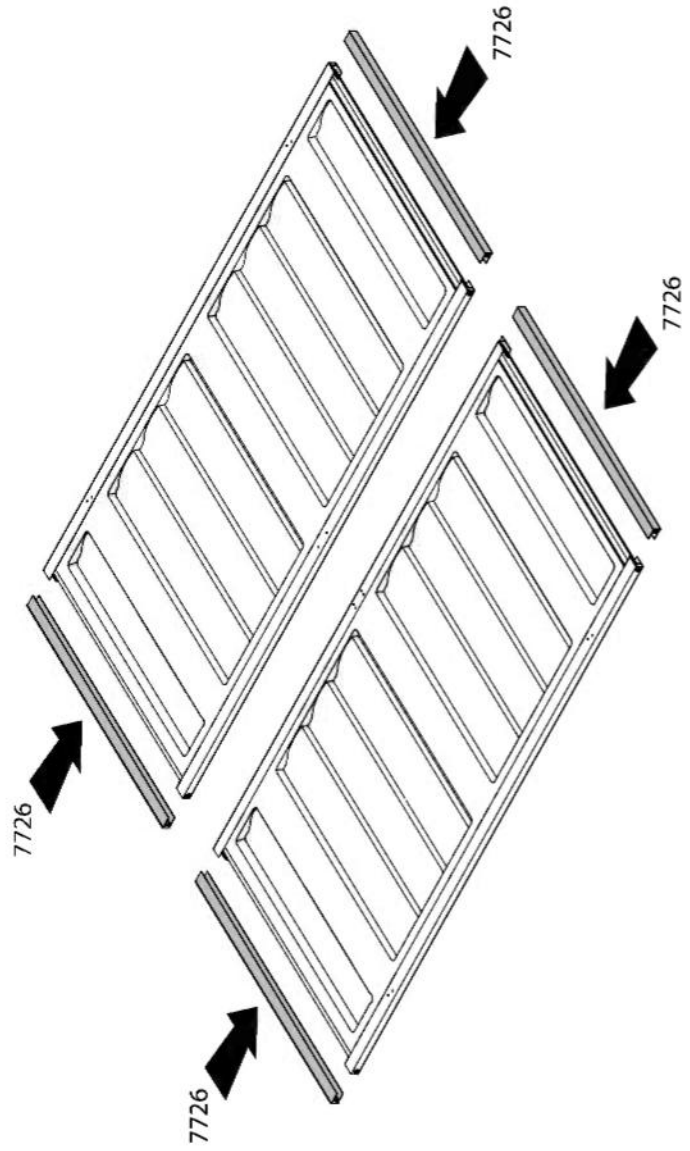
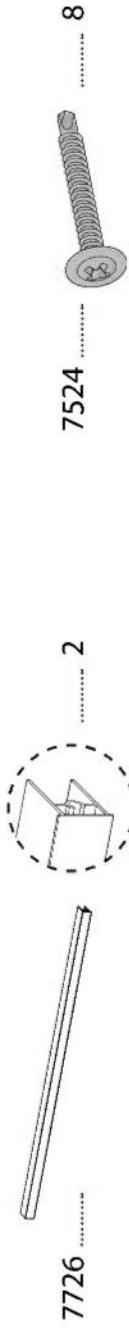
..... 1

4008 1
 Silver

 4008 2
 Black




i Door Assembly: note the panels, profiles and holes directions.





i Attach side profiles to the door panel before inserting screws no. 7444.



7356

..... 4



7444

..... 8

428



..... 8

431

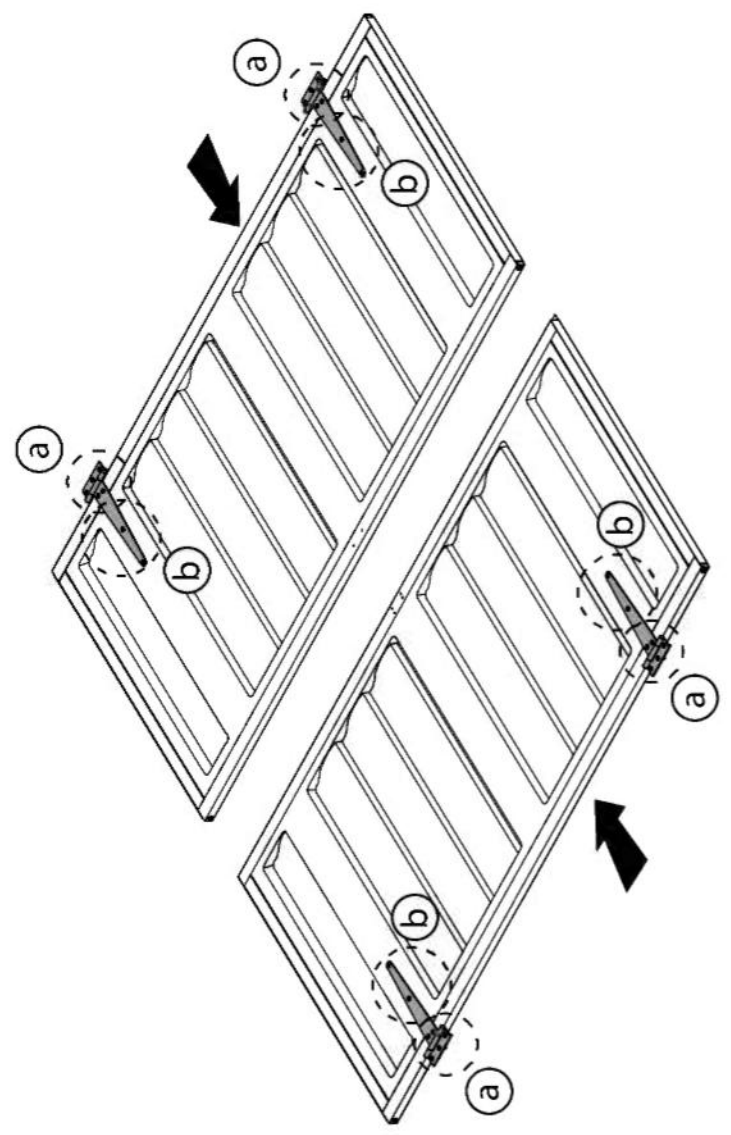
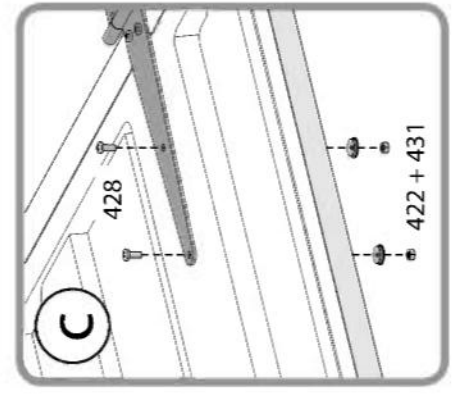
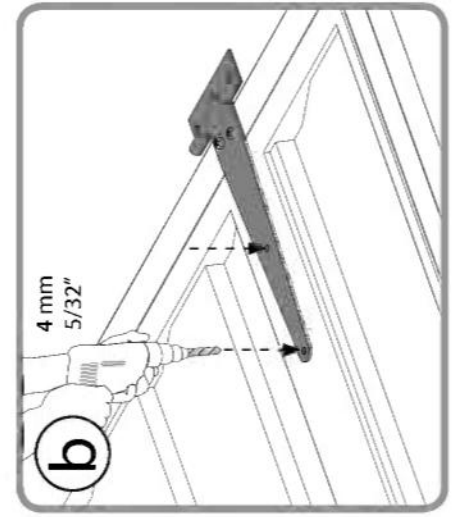
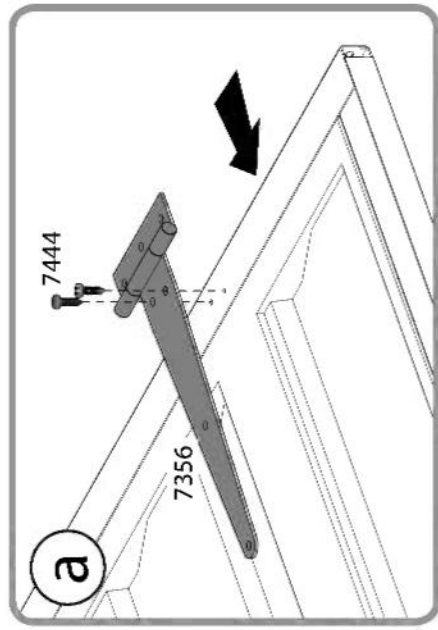
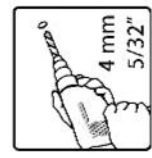


..... 8

422



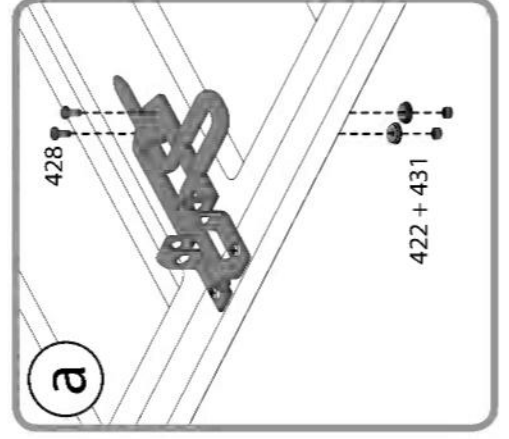
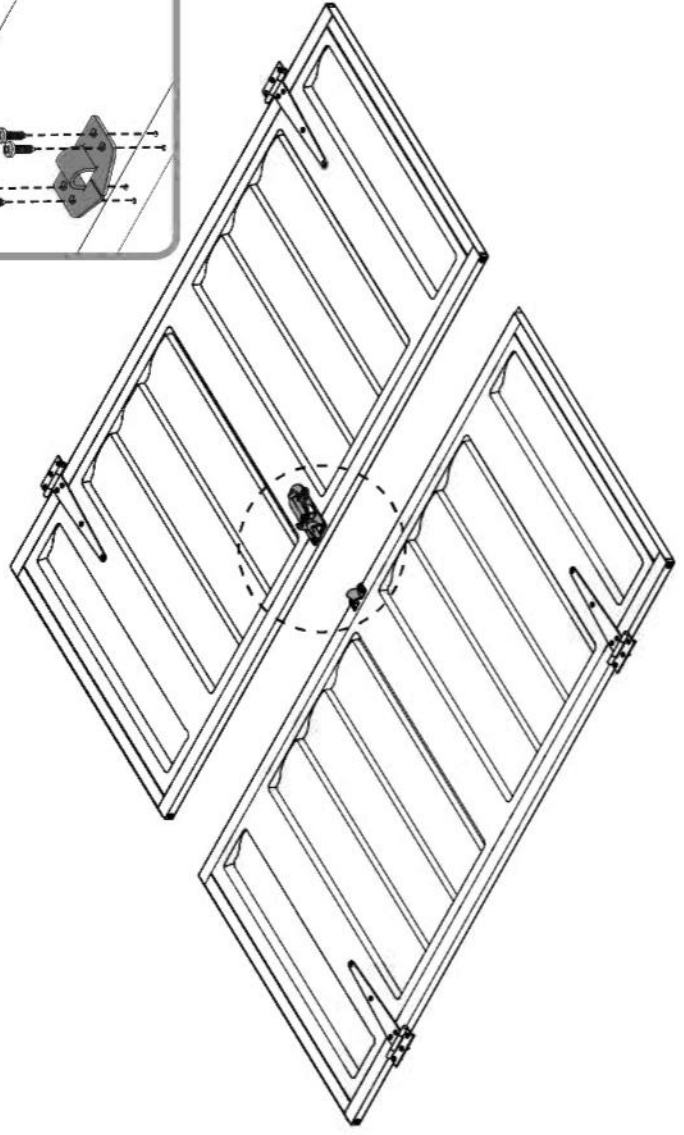
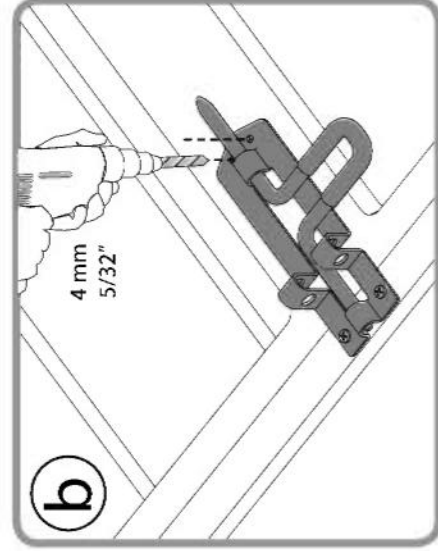
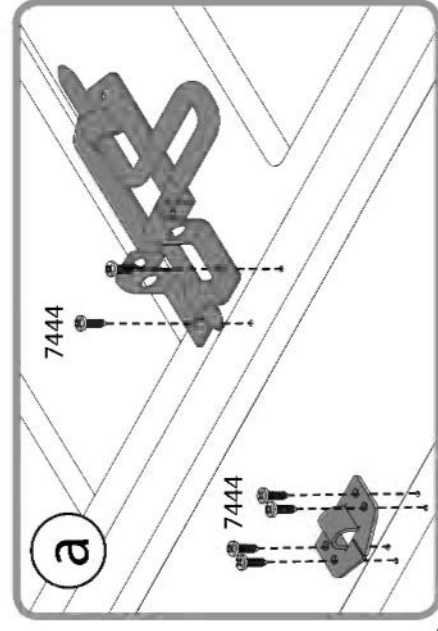
..... 8



i Attach side profiles to the door panel before inserting screws no. 7444.

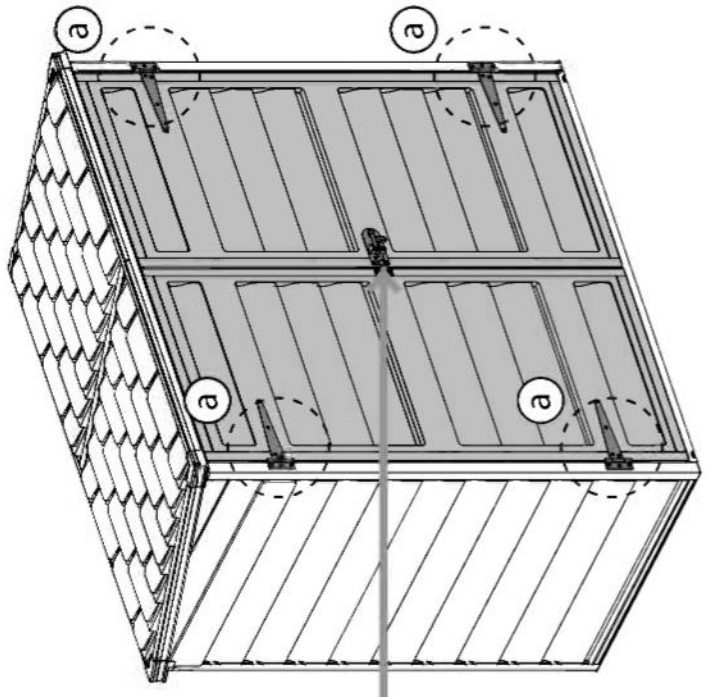
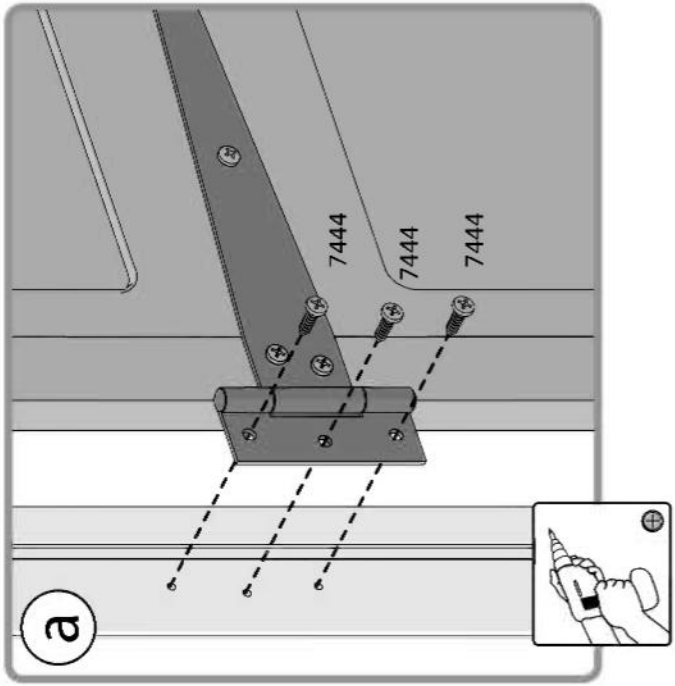


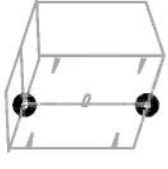
- 8480 1  1
- 7444 6  6
- 428 2  2
- 431 2  2
- 422 2  2



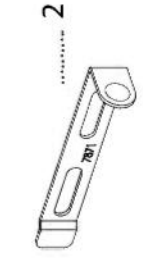


7444
12





7870 2

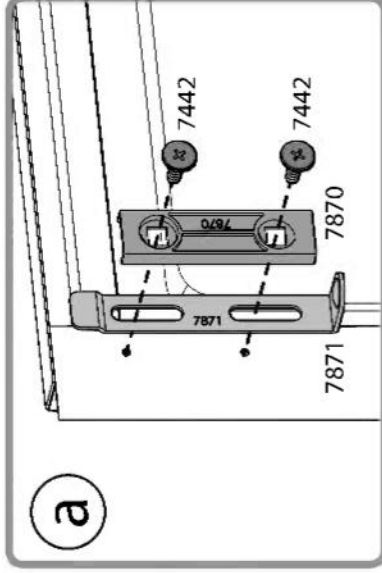


7871 2

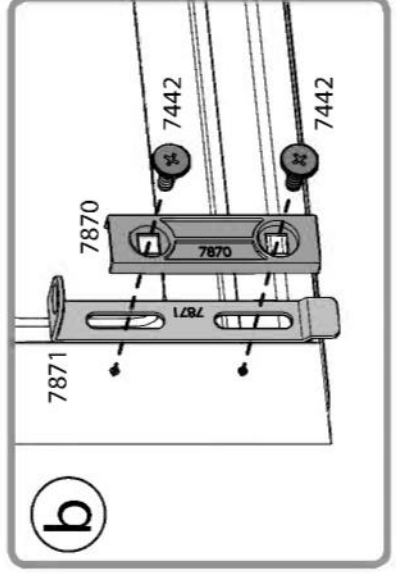


7442 4

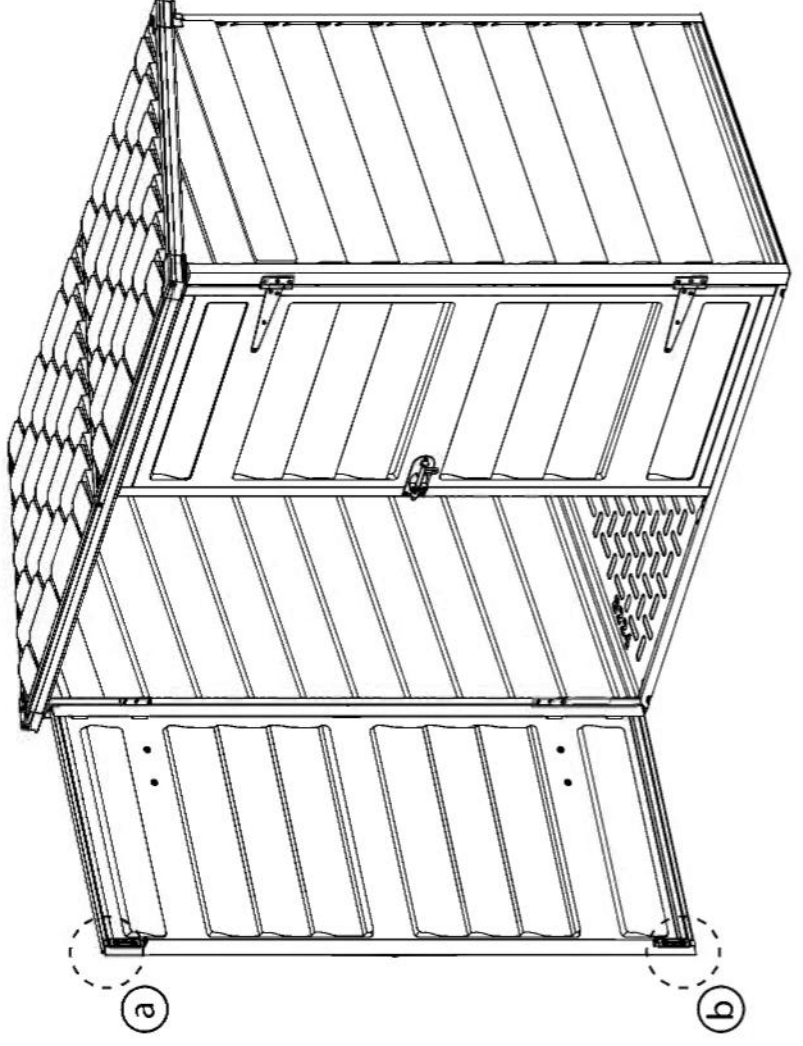
4



a



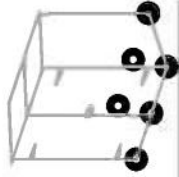
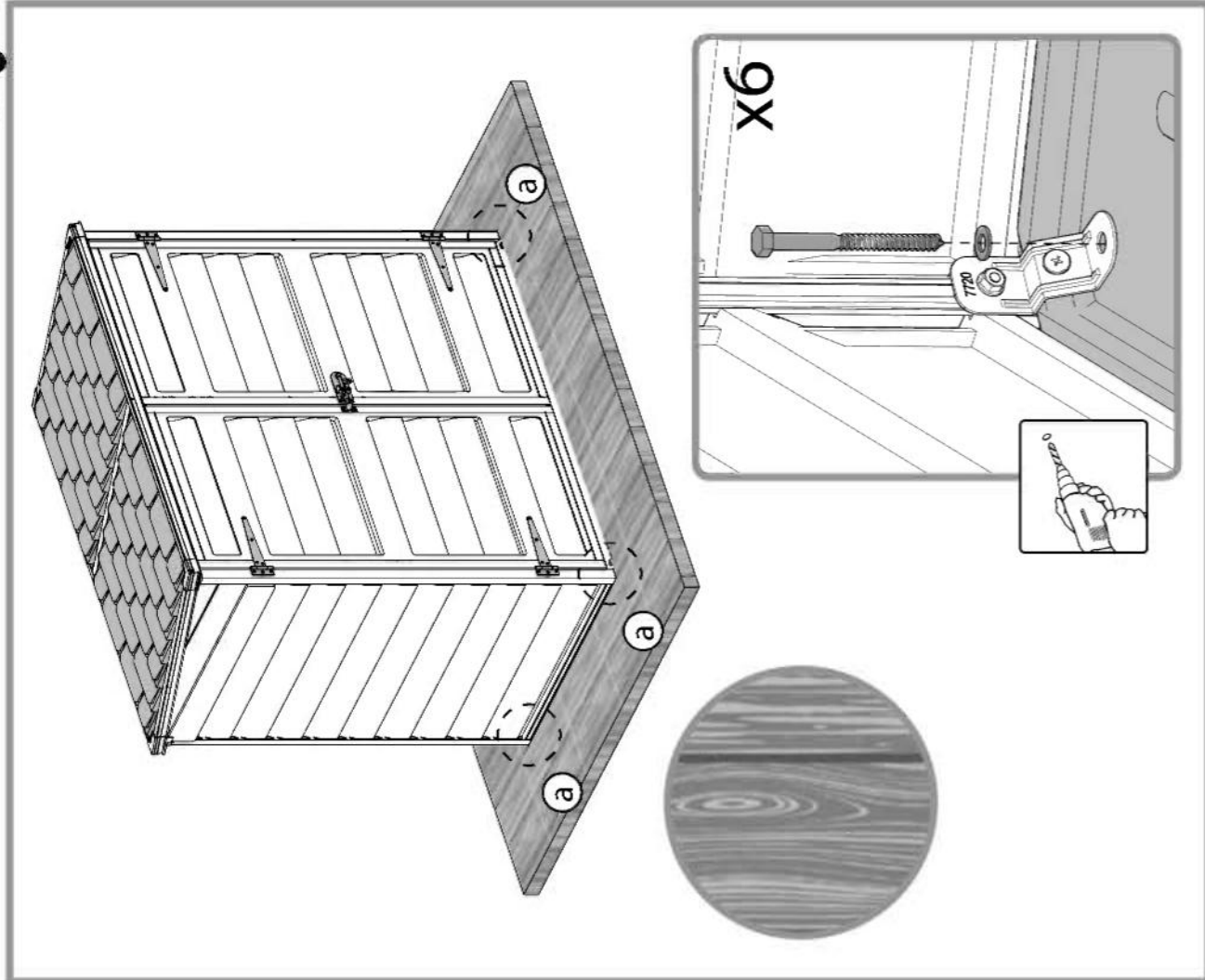
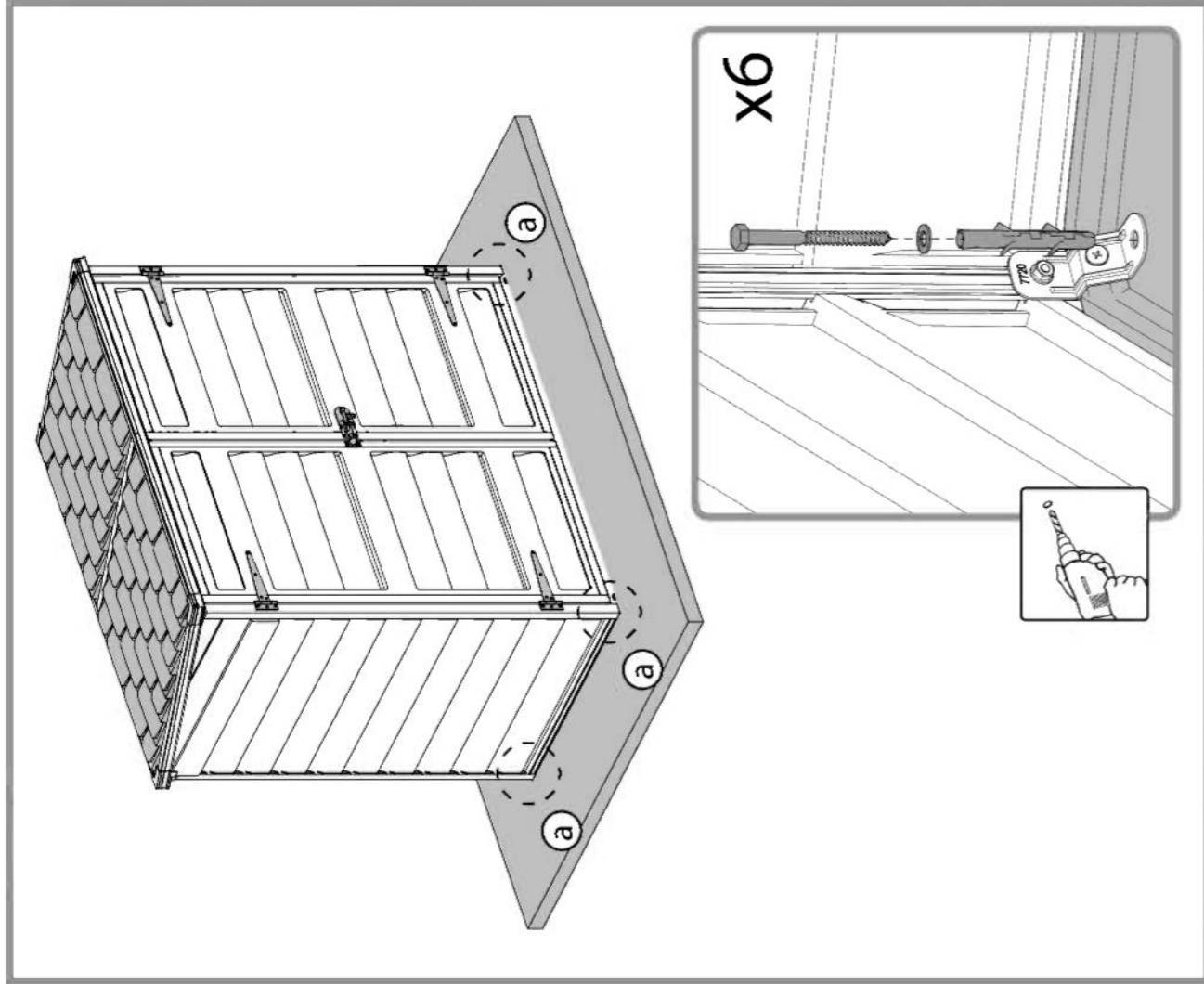
b



a

b

i Anchor the shed on to a solid surface such as concrete or asphalt, use suitable screws and plugs. (Screws and plugs are not supplied).



PALRAM - CANOPIA | 10 years Limited Warranty

Product Details: Canopia Garden Sheds

Palram Canopia Ltd (Company number: 512106824) whose registered office is at Teradon Industrial Park, M.P. Misgav 2074, Israel ("Canopia") warrants that the product will be free from defects in material or workmanship for a period of 10 years from the original date of purchase subject to the definitions, terms and conditions contained in this warranty.

1. Conditions

- 11 This warranty shall be valid only if the product is installed, cleaned, handled and maintained in accordance with Canopia's written recommendations (Recommended User: Hobby Gardening).
- 12 Without derogating from the above, damage caused by use of force, incorrect handling, inappropriate use, negligent use or assembly or maintenance, accidents, impact from foreign objects, vandalism, alteration, painting, connecting, gluing, sealing not in accordance with the user's manual, or damage resulting from cleaning with incompatible detergents and minor deviations of the product are not covered by this warranty.
- 13 This warranty does not apply to damage resulting from "force majeure", which includes but is not limited to, hail, storm, tornado, hurricane, blizzard, flood, fire effects.
- 14 This warranty is void if structural parts and components used are not compatible with Canopia's written recommendations.
- 15 This Warranty applies only to the original purchaser of the product. It does not extend to any other purchaser or user of the product (including, but not limited to, any person who acquires the product from the original purchaser).
- 16 Any other use for any other purpose is under user's sole responsibility. Canopia disclaims and assumes no liability for any use not recommended by this warranty.

2. Claims and Notifications

- 21 Every warranty claim must be notified in writing to Canopia within 30 days after the discovery of the defective product, enclosing the original sales receipt and this warranty.
- 22 The claimant must allow Canopia to inspect the product involved and the installation site. If while the product is still in its original position and has not been removed or altered in any way and/or return the product to Canopia for testing.
- 23 Canopia reserves the right to investigate independently the cause of any failure.

3. Compensation

- 31 If a claim under this Warranty is properly notified and approved by Canopia, the purchaser, at Canopia's option, may either: (a) purchase a replacement product or part(s); or (b) receive a refund of the original product or part(s) purchase price, all in accordance with the following schedule:

Period After Purchasing	Replacement Product or Parts	Refund
From date of purchase up to end of 1 st year	Free of charge	100%
End of 1 st Year up to end of 2 nd year	purchaser will pay 10% of the original purchase price	90%
End of 2 nd year up to end of 3 rd year	purchaser will pay 20% of the original purchase price	80%
End of 3 rd year up to end of 4 th year	purchaser will pay 30% of the original purchase price	70%
End of 4 th year up to end of 5 th year	purchaser will pay 40% of the original purchase price	60%
End of 5 th year up to end of 6 th year	purchaser will pay 50% of the original purchase price	50%
End of 6 th year up to end of 7 th year	purchaser will pay 60% of the original purchase price	40%
End of 7 th year up to end of 8 th year	purchaser will pay 70% of the original purchase price	30%
End of 8 th year up to end of 9 th year	purchaser will pay 80% of the original purchase price	20%
End of 9 th year up to end of 10 th year	purchaser will pay 90% of the original purchase price	10%

- 32 For avoidance of any doubt, calculation for determination regarding compensation for defective parts, according to the schedule above, will be based on the contribution of the defective part to the original cost of the product. Canopia reserves the right to provide substitutions if the product or any part of it is unavailable or obsolete.

- 33 This warranty does not cover any costs and expenses of removal and installation of the product or laws or shipping cost or any other direct or indirect loss(es) which may result from the product failure.

4. General Conditions and Limitations

- 41 OTHER THAN HAS BEEN SPECIFICALLY STATED IN THIS WARRANTY, ALL OTHER WARRANTIES, WHETHER EXPRESS OR IMPLIED, INCLUDING ALL IMPLIED WARRANTIES OF MERCHANTABILITY OR FITNESS FOR A PARTICULAR PURPOSE ARE EXCLUDED SO FAR AS THE LAW PERMITS.
- 42 EXCEPT WHERE WE HAVE SPECIFICALLY STATED IN THIS WARRANTY, CANOPIA SHALL NOT BE LIABLE FOR ANY LOSSES OR DAMAGES THE PURCHASER SUFFERS DIRECTLY, INDIRECTLY, OR AS A CONSEQUENCE OF USING, OR IN ANY OTHER WAY CONNECTED TO THE PRODUCT.
- 43 IF CANOPIA IS PROHIBITED UNDER ANY APPLICABLE LAW FROM EXCLUDING THE IMPLIED WARRANTIES OF MERCHANTABILITY OR FITNESS FOR A PARTICULAR PURPOSE IN RELATION TO THE PRODUCT, THE DURATION OF ALL SUCH IMPLIED WARRANTIES IS EXPRESSLY LIMITED TO THE DURATION OF THIS WARRANTY OR, IF LONGER, THE MAXIMUM PERIOD REQUIRED BY APPLICABLE LAW.
- 44 THE PURCHASER IS SOLELY RESPONSIBLE FOR DETERMINING WHETHER THE HANDLING, STORAGE, ASSEMBLY, INSTALLATION OR USE OF THE PRODUCT IS SAFE AND APPROPRIATE IN ANY LOCATION, FOR ANY GIVEN APPLICATION OR IN ANY GIVEN CIRCUMSTANCE. CANOPIA IS NOT RESPONSIBLE FOR ANY DAMAGES OR INJURY TO THE PURCHASER, ANY OTHER PERSON OR ANY PROPERTY RESULTING FROM THE IMPROPER HANDLING, STORAGE, INSTALLATION, ASSEMBLY OR USE OF THE PRODUCT OR THE FAILURE TO FOLLOW THE WRITTEN INSTRUCTIONS REGARDING THE HANDLING, STORAGE, INSTALLATION, ASSEMBLY AND USE OF THE PRODUCT. UNLESS OTHERWISE EXPRESSLY INDICATED BY CANOPIA, THE PRODUCT IS INTENDED FOR NORMAL RESIDENTIAL AND COMMERCIAL USE ONLY. CANOPIA IS NOT RESPONSIBLE FOR ANY LOSS, DAMAGE, COST OR EXPENSE RESULTING FROM ANY USE OF THE PRODUCT FOR ANY PURPOSE THAT IS NOT RECOMMENDED BY THE WRITTEN INSTRUCTIONS OR THAT IS NOT PERMITTED BY ANY APPLICABLE LEGISLATION OR OTHER CODES IN EFFECT IN THE LOCATION WHERE THE PURCHASER WILL USE THE PRODUCT.
- 45 PLEASE NOTE: ANCHORING THIS PRODUCT TO THE GROUND IS ESSENTIAL TO ITS STABILITY AND RIGIDITY. IT IS REQUIRED TO COMPLETE THIS STAGE IN ORDER FOR YOUR WARRANTY TO BE VALID.

10 Jahre beschränkte Garantie von PALRAM - CANOPIA

Angaben zum Produkt: Canopia Gerätehäuser

Palram Canopia Ltd (Firmennummer: 512106824) mit Sitz in Teradon Industrial Park, M.P. Misgav 2074, Israel ("Canopia") garantiert, dass das Produkt für einen Zeitraum von 10 Jahren ab dem Kaufdatum frei von Mängeln in Material und Verarbeitung wird, und den Definitionen, Begriffen und Bedingungen die in dieser Garantie enthalten sind unterliegt.

1. Bedingungen

- 11 Diese Garantie ist nur gültig, wenn das Produkt in Übereinstimmung mit den schriftlichen Empfehlungen von Canopia installiert, gereinigt, behandelt und gepflegt ist (Empfohlene Verwendung: Hobby Gartener).
- 12 Ohne Abweichung von oben genannten, Schäden, die durch Anwendung von Gewalt, unsachgemäße Behandlung, unsachgemäße Verwendung, nachlässige Nutzung, Montage oder Wartung, Unfälle, Auswüchungen von Fremdkörpern, Vandalismus, Verschmutzung, Veränderung, Malerei, Verbinden, Kleben und Dichten, nicht in Übereinstimmung mit der Bedienungsanleitung, verursacht werden, oder Schäden, die bei Reinigung mit inkompatiblen Reinigungsmitteln entstehen, so wie geringfügige Abweichungen des Produkts, werden durch diese Garantie nicht abgedeckt.
- 13 Diese Garantie gilt nicht für Schäden, die durch höhere Gewalt verursacht werden (beinhaltet aber nicht beschränkt auf: Hagel, Sturm, Tornado, Hurrikan, Schneesturm, Überschwemmungen, Feuer Auswüchungen).
- 14 Diese Garantie erlischt, falls Bauteile und Komponenten, die nicht mit den schriftlichen Empfehlungen von Canopia kompatibel sind, verwendet werden.
- 15 Diese Garantie gilt ausschließlich für den ursprünglichen Käufer des Produkts. Sie erweitert sich nicht auf keine anderen Käufer oder Benutzer des Produkts (einschließlich, aber nicht beschränkt auf irgendeine andere Person die das Produkt von den ursprünglichen Käufer erwirbt).
- 16 Jede andere Verwendung, für einen anderen Zweck, liegt in der alleinigen Verantwortung des Benutzers. Canopia lehnt jede Haftung ab, die von dieser Garantie nicht gedeckt wird, bzw. übernimmt keine Haftung dafür.

2. Ansprüche und Mitteilungen

- 21 Jeder Gewährleistungsanspruch muss Canopia innerhalb von 30 Tagen nach Entdeckung des fehlerhaften Produkts schriftlich vorgelegt werden. Hierzu rechnen Sie bitte auch den Original Kaufvertrag und diese Garantie mit ein.
- 22 Der Antragsteller muss Canopia erlauben den betroffenen Produkt und den Aufstellungsorort selbst zu überprüfen, während das Produkt noch in seiner ursprünglichen Position ist und nicht entfernt oder verschoben oder in irgendeiner Weise verändert wurde, und/oder den Produkt an Canopia zum Testen zu senden.
- 23 Canopia behält sich das Recht vor die Fehlersachen unabhängig zu untersuchen.

3. Entscheidung

- 31 Ist ein Anspruch gemäß dieser Garantie ordnungsgemäß angemeldet und hat Canopia genehmigt worden, kann der Käufer, nach eigenem Ermessen von Canopia, entweder (a) ein Ersatzprodukt oder Teile erwerben; oder (b) eine Erstattung des ursprünglichen Produkts oder Teile Kaufpreises erhalten, alles in Übereinstimmung mit dem folgenden Schema:

Zeitraum nach Erwerbung	Ersatzprodukt bzw. Ersatzteile	Rückerstattung
Ab Kaufdatum bis zum Ende des 1. Jahr	Kostenlos	100%
Ende des 1. Jahr bis zum Ende des 2. Jahr	Käufer zahlt 10% des ursprünglichen Kaufpreises	90%
Ende des 2. Jahr bis zum Ende des 3. Jahr	Käufer zahlt 20% des ursprünglichen Kaufpreises	80%
Ende des 3. Jahr bis zum Ende des 4. Jahr	Käufer zahlt 30% des ursprünglichen Kaufpreises	70%
Ende des 4. Jahr bis zum Ende des 5. Jahr	Käufer zahlt 40% des ursprünglichen Kaufpreises	60%
Ende des 5. Jahr bis zum Ende des 6. Jahr	Käufer zahlt 50% des ursprünglichen Kaufpreises	50%
Ende des 6. Jahr bis zum Ende des 7. Jahr	Käufer zahlt 60% des ursprünglichen Kaufpreises	40%
Ende des 7. Jahr bis zum Ende des 8. Jahr	Käufer zahlt 70% des ursprünglichen Kaufpreises	30%
Ende des 8. Jahr bis zum Ende des 9. Jahr	Käufer zahlt 80% des ursprünglichen Kaufpreises	20%
Ende des 9. Jahr bis zum Ende des 10. Jahr	Käufer zahlt 90% des ursprünglichen Kaufpreises	10%

- 32 Um jegliche Zweifel auszuschließen, wird sich die Berechnung für die Bestimmung über Entschädigungen für defekte Teile, entsprechend der obigen Schema, auf dem Betrag des defekten Teils an den ursprünglichen Kosten des Produktes beruhen. Canopia behält sich das Recht vor für ein Ersatz zu sorgen, falls der Produkt oder ein Teil davon nicht verfügbar oder veraltet ist.

- 33 Diese Garantie erstreckt sich nicht auf Kosten und Ausgaben für Aus- und Einbau des Produkts oder Steuern oder Versandkosten oder sonstige direkte oder indirekte Verluste, die sich von einem Produktfehler ergeben können.

4. Allgemeine Bedingungen und Einschränkungen

- 41 ANDERS ALS BESONDERS IN DIESER GARANTIE ANGEBOGEN, ALLE ANDEREN GARANTIE, OB AUSDRÜCKLICH ODER IMPLIZIT, EINSCHLIESSLICH ALLER ANGESCHLOSSENEN GARANTIELEISTUNGEN DER MARKTGÄNGIGKEIT ODER EIGNUNG FÜR EINEN BESTIMMTEN ZWECK SIND SO WEIT DIES RECHTLICH MÖGLICH IST AUSGESCHLOSSEN.
- 42 AUSSER ALS AUSDRÜCKLICH IN DIESER GARANTIE ANGEBOGEN, HÄLTET CANOPIA NICHT FÜR IRGENDWELCHE VERLUSTE ODER SCHÄDEN DIE DER KÄUFER, DIREKT ODER INDIREKT ODER ALS FOLGE DER NUTZUNG ODER IN IRGENDWELCHEN ANDEREN MIT DEM PRODUKT VERBUNDENEN WIEBELIED.
- 43 FALLS CANOPIA EIN AUSSCHLUSS DER STILLSCHWENKENDEN GARANTIE DER MARKTGÄNGIGKEIT ODER EIGNUNG FÜR EINEN BESTIMMTEN ZWECK IN BEZUG AUF BESCHADIGT ODER FALLS LÄNGER, RECHT NICHT GESTATET IST, WIRD DIE DAUER ALLER SOLCHER VERGEBLICHEN HOCHSTAUER.
- 44 DER KÄUFER IST ALLEIN DAUFÜR VERANTWORTLICH FÜR DIE DAUER DER HANDHABUNG, LAGERUNG, MONTAGE, INSTALLATION ODER VERWENDUNG DES PRODUKTS AN BELIEBIGEN STANDORT UND FÜR JEDE GEEBENE ANWENDUNG ODER SITUATION, SICHER UND ANGEWESEN IST. CANOPIA IST NICHT VERANTWORTLICH FÜR SCHÄDEN ODER VERLETZUNGEN DES KÄUFERS, ANDERER PERSONEN ODER DES EIGENTUMS, DIE IN FOLGE EINER UNSACHGEMÄSSEN HANDHABUNG, LAGERUNG, EINBAU, MONTAGE ODER NUTZUNG DES PRODUKTES ENTSTANDEN SIND.
- 45 DIE WARE IST BESTIMMT AUSSCHLIESSLICH ZUR NORMALEN PERSÖNLICHEN UND KOMMERZIELLEN NUTZUNG, SOFERN NICHT AUSDRÜCKLICH ETWAS ANDERES DURCH CANOPIA VERBIBERT WURDE. CANOPIA HÄLT NICHT FÜR VERLUSTE, SCHÄDEN, KOSTEN ODER AUSGABEN, DIE AUS EINER NICHT VON DEN ANWEISUNGEN EMPFOHLENE VERWENDUNG DES PRODUKTS ZU IRGENDWELCHEN ZWECK ENTSTEHEN ODER DIE VON KEINEM GELTENDEN RECHTSVORSCHRIFTEN ODER ANDEREN CODES ERLAUBT SIND DIE AN DEM KÄUFER DEN PRODUKT BENUTZEN WIRD IN KRAFT SIND.
- 46 DIE VERANKERUNG DIESER GARANTIE IM UMGEBUNG IST WESENTLICH KR SEINE STABILITÄT UND FESTIGKEIT. SIE IST UNABBLASSLICH, URN DISEN ARBEITSSCHRITT ZU BEENDEN, DAMIT IHRE GARANTIE GÜLTIG BLEIBT.