



# HOW TO ASSEMBLE

LEAN TO™  
4x2 / 0.6x1.3

Clear Glazing

## IMPORTANT!

Please read these instructions carefully before starting assembly.  
Keep these instructions in a safe place for future reference.

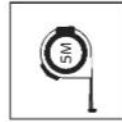
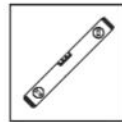
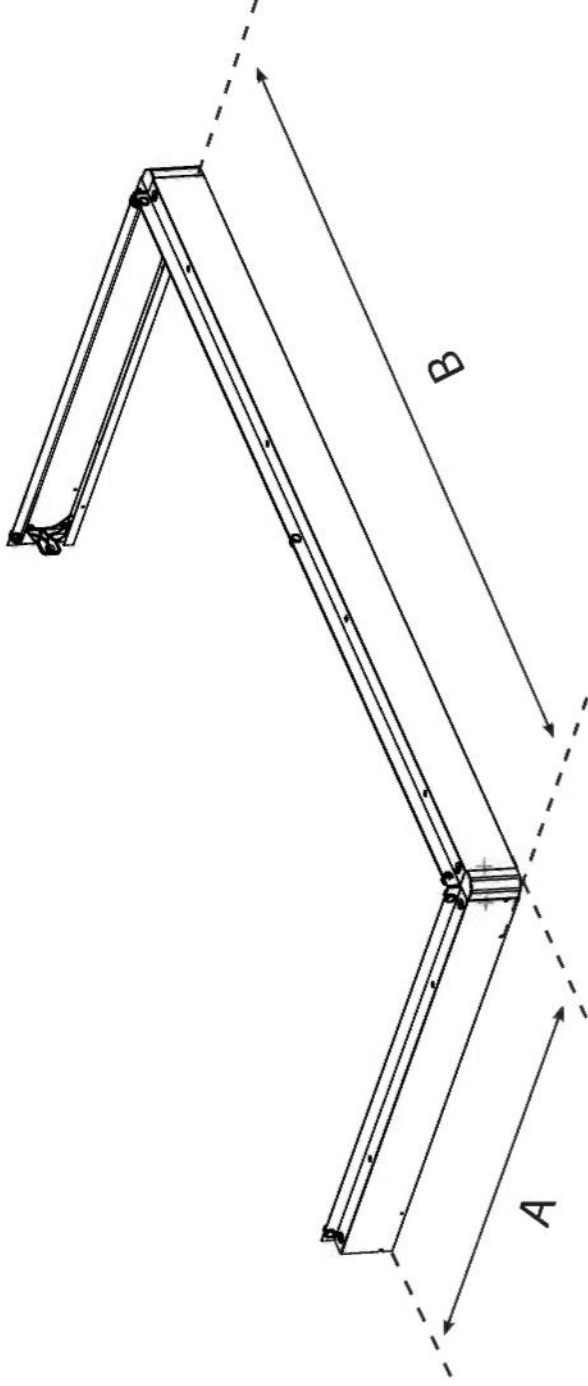


A member of  
Palram Industries Ltd.

[www.canopia.com](http://www.canopia.com)



BASE DIMENSIONS LEAN TO CLEAR



MODEL	WIDTH	LENGTH
4x2 / 0.6x1.3	63.5 cm / 2'1"	124 cm / 4'1"



AFTER SALES SERVICE

# WE´VE GOT YOU COVERED

NOUS NOUS OCCUPONS DE VOUS | NOS OCUPAMOS DE UD | WIR HELFEN IHNEN GERNE

**EN**

Our self-service form makes it convenient and fast.  
Go to the URL below or scan the QR code with your phone to submit your request.

**FR**

Notre formulaire en ligne est pratique et rapide.  
Rendez vous sur l'URL ci-dessous ou scannez le code QR avec votre téléphone pour soumettre votre demande.

**ES**

Nuestro formulario de autoservicio lo hace conveniente y rápido. Vaya al URL de abajo o escanee el código QR con su teléfono para enviar su solicitud.

**DE**

Nutzen Sie schnell und bequem unser Kontaktformular.  
Rufen Sie die untenstehende URL auf oder scannen Sie den QR-Code mit Ihrem Handy, um Ihre Anfrage zu übermitteln.

## Missing a part or need a new one?

Il vous manque une pièce ou vous avez besoin d'une pièce supplémentaire?  
Me falta una pieza o necesito una nueva?  
Fehlt ein Teil oder benötigen Sie ein Ersatzteil?



[canopia.shop/part\\_request](https://canopia.shop/part_request)

SCAN ME

## Need help assembling your product?

Besoin d'aide pour monter votre produit?  
Necesito ayuda para montar mi producto?  
Benötigen Sie Hilfe bei der Montage Ihres Produkts?



[canopia.shop/support](https://canopia.shop/support)

SCAN ME



## CUSTOMER SUPPORT

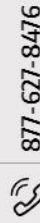


SCAN ME

# WE ARE HERE TO HELP

For general questions: [canopia.com/contact-us](https://canopia.com/contact-us)

### USA



877-627-8476



[hobbyservice@poly-tex.com](mailto:hobbyservice@poly-tex.com)

### GERMANY



0180-522-8778



[customer.serviceDE@palram.com](mailto:customer.serviceDE@palram.com)

### ITALY • NETHERLANDS • PORTUGAL • SPAIN



+33-169-791-094



[customer.serviceFR@palram.com](mailto:customer.serviceFR@palram.com)

### CANADA



905-5646007



[sales@footprintproducts.com](mailto:sales@footprintproducts.com)

### FRANCE • BELGIUM



+33-169-791-094



[customer.serviceFR@palram.com](mailto:customer.serviceFR@palram.com)

### AUSTRIA • LUXEMBURG • LIECHTENSTEIN



+49-180-522-8778



[customer.serviceDE@palram.com](mailto:customer.serviceDE@palram.com)

### UNITED KINGDOM • IRELAND



01302-380775



[customer.serviceUK@palram.com](mailto:customer.serviceUK@palram.com)

### ISRAEL



04-848-6816



[customer.service@palram.com](mailto:customer.service@palram.com)

### AUSTRALIA



03-9219-4444



[salesvic@palram.com](mailto:salesvic@palram.com)

NORWAY • SWEDEN • ARGENTINA • GREECE • GREENLAND • ICELAND • ESTONIA • JAPAN • LATVIA • LITHUANIA  
MAURITIUS • MEXICO • ROMANIA • RUSSIA • TURKEY • UZBEKISTAN • UKRAINE • SWAZILAND • KOREA



+972-4-848-6816



[customer.service@palram.com](mailto:customer.service@palram.com)



CUSTOMER SUPPORT



SCAN ME

# WE ARE HERE TO HELP

For general questions: [canopia.com/contact-us](https://canopia.com/contact-us)

## AUSTRALIA - GREENHOUSES



03-9544-6-999



[info@mazedistribution.com.au](mailto:info@mazedistribution.com.au)

## HUNGARY · SLOVAKIA



+420-493-523-523



[servis@garland.cz](mailto:servis@garland.cz)

## NEW ZEALAND



0800 800 880



[customer.service@palram.com](mailto:customer.service@palram.com)

## DENMARK



07-575 42 70



[post@nshnordic.com](mailto:post@nshnordic.com)

## SOUTH AFRICA



011-397-7771



[receptionza@palram.com](mailto:receptionza@palram.com)

## CROATIA · SLOVENIA



0599-37-057



[info@ms-viscom.com](mailto:info@ms-viscom.com)

## CZECH REPUBLIC



0493-523-523



[servis@garland.cz](mailto:servis@garland.cz)

## FINLAND



Neuvonta: 09-6866720  
Tuki / Varaosat: 050-3715350



[www.horisontenterprises.fi](http://www.horisontenterprises.fi)  
[tuki@horisontenterprises.fi](mailto:tuki@horisontenterprises.fi)

## POLAND



Infolinia: 801-011-929  
72-349-93-36



[kontakt@ogrodosfera.pl](mailto:kontakt@ogrodosfera.pl)

## CYPRUS



0224-971-13



[alpaco@alpacodomica.com](mailto:alpaco@alpacodomica.com)  
[www.alpacodomica.com](http://www.alpacodomica.com)

## SWITZERLAND



062-287-33-77



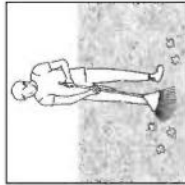
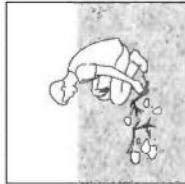
[info@ritter.ch](mailto:info@ritter.ch)

## SITE PREPARATION & FOUNDATION

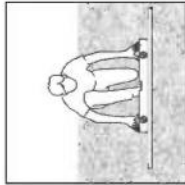
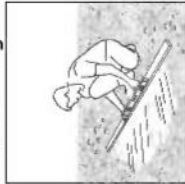
### A - PREPARE THE SITE

The product must be positioned and fixed on a flat level surface.

#### 1 - Clear the site



#### 2 - Level the ground



### IMPORTANT

We recommend checking for restrictions or covenants for building this product in your area. In addition we advise to check if you need to submit any forms or if any permit is required prior to building the product.

### B - CHOOSE YOUR FOUNDATION TYPE

For a foundation, we recommend using three material types: Concrete / Pressure treated wood / wood deck / Paver blocks

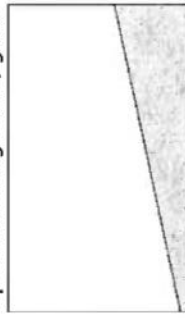
#### Option 1: Solid foundation



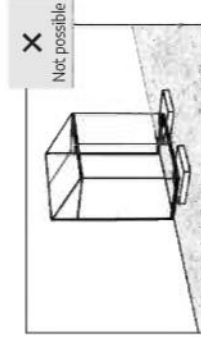
#### Option 2: Solid frame



#### Option 3: Firm ground / grass

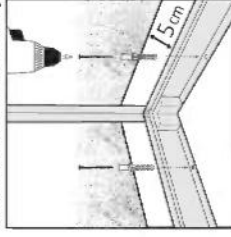


\* The size of the greenhouse displayed is for illustration purposes only and may not reflect the size of your greenhouse.



### C - ANCHOR TO FOUNDATION

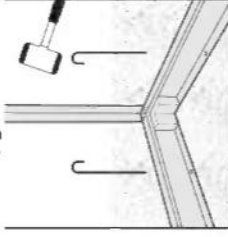
#### On a solid foundation / frame



Secure the product to the foundation of your choice using suitable screws & plugs or masonry anchors (not supplied).

Make sure you have at least 5 cm / 2" between the product base and the edges of your foundation - on all sides.

#### On soil / grass



Secure the product to the ground surface using suitable long pegs (not supplied). Please consult with an expert regarding which fasteners are suitable for other surface types.

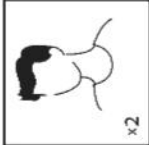




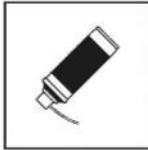





## SAFETY ADVICE

- It is of utmost importance to assemble all of the parts according to the directions. Do not skip any steps.
- Always wear work gloves during panel sliding.
- Always wear shoes and safety goggles when working with extruded aluminium.
- If using a step ladder or power tools make sure that you follow the manufacturer's safety advice.
- Do not touch overhead power cables with the aluminium profiles.
- Do not attempt to assemble the product in windy or wet conditions.
- Do not climb or stand on the roof.
- Dispose of all plastic bags. Keep them out of reach of small children.
- Keep children away from the assembly area.
- Do not lean against or push the products during construction.
- Do not position your product in an area exposed to excessive winds.
- Do not attempt to assemble this product if you are tired, have taken drugs or alcohol or if you are prone to dizzy spells.
- Hot items such as recently used grills, blowtorches etc. must not be stored in the product.
- Make sure there are no hidden pipes or cables in the ground before anchoring to foundation.
- This product is designed to be used mainly as a greenhouse.
- **Make sure to anchor the product directly to a solid foundation to increase the product's stability and wind resistance in areas with severe weather conditions. Make sure that there are no obstructions between the assembly area and the final position of the product. The Paltram - Canopia Anchoring kit is available for purchase separately.**

## CARE & MAINTENANCE

- When your product needs to be cleaned, use a mild detergent solution and rinse with cold clean water.
- DO NOT use acetone, abrasive cleaners or other special detergents to clean the panels.
- Clean the product once assembly is complete.

## TOOLS & EQUIPMENT

- |                                                                                       |                                          |                                                                                       |                                                                           |                                                                                       |                                                          |                                                                                     |                                                 |
|---------------------------------------------------------------------------------------|------------------------------------------|---------------------------------------------------------------------------------------|---------------------------------------------------------------------------|---------------------------------------------------------------------------------------|----------------------------------------------------------|-------------------------------------------------------------------------------------|-------------------------------------------------|
|   | <input type="checkbox"/> 2 people needed |   | <input type="checkbox"/> Work gloves                                      |   | <input type="checkbox"/> Spirit Level                    |   | <input type="checkbox"/> Wrench<br>10 mm   3/8" |
|  | <input type="checkbox"/> Scissors        |  | <input type="checkbox"/> Lubricant Spray                                  |  | <input type="checkbox"/> Cordless drill<br>Phillips head |  | <input type="checkbox"/> Wrench<br>7 mm   9/32" |
|  | <input type="checkbox"/> Tape measure    |  | <input type="checkbox"/> Electric Drill With<br>Drill Bit<br>7 mm   9/32" |  | <input type="checkbox"/> Phillips head<br>Screwdriver    |                                                                                     |                                                 |

## BEFORE ASSEMBLY

1. Selecting a site:
  - Choose your site carefully before beginning assembly.
  - Choose a sunny position away from overhanging trees.
  - The product must be positioned and fixed on a flat level surface.
2. The product must be secured directly to a solid foundation.
3. This is a multi-part assembly best achieved by two people. Allow at least half a day for the assembly process.
4. Take all components & parts out of the packages. Sort the parts and check against the content parts list.
5. Parts should be laid out close at hand. Keep all small parts (screws etc.) in a bowl so they do not get lost.
6. Please note multi-sided profiles are used in this product. As a result some holes in the profiles are not used during assembly.
7. Please review entire instructions before starting. Carry out the assembly steps in exact order.
8. Please consult your local authorities if any permits are required prior to constructing the product.

## IMPORTANT!

- Firmly connect the product to a level surface immediately after completion of the assembly.
- Anchoring this product to the ground is essential to its stability and rigidity. It is required to complete this stage in order for your warranty to be valid.
- During assembly use a soft surface below the parts to avoid scratches and damages.

## DURING ASSEMBLY

- During assembly, you will encounter different icons for different products. Please see below for more information:



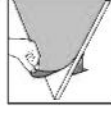
- During assembly you will encounter the information icon, please refer to the relevant assembly step for additional comments and assistance.



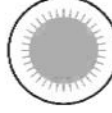
- You may use silicone lubricant spray on the frame in order to help you slide the panels into the profiles. Do not spray the panels.



- Use a rubber mallet if necessary.



- Make sure you remove covering plastic film from both sides of the panel.



- All panels with the stamped words "THIS SIDE OUT" must be facing out to create full UV protection. Remove plastic sticker as panels are locked in place.



- This icon indicates that the installer should be inside the product.



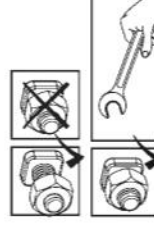
- This icon indicates that the installer should be outside the product.



- Steps marked with dashed outlines refer to Extensions only.

- Some of the steps are irrelevant for an assembly of a single product.

- When assembling a single or an extended product, some parts may be surplus.



- These 2 icons below indicate if screw's tightening is required or not.

- Temporary tightening of a few screws may be needed to prevent a profile from sliding out.

- Tighten all screws once assembly is completed.





## IMPORTANT ASSEMBLY STEPS

When encountering this information icon during assembly, please refer to the relevant assembly step for important additional comments.

### Step 7:

Please note the assembly direction of profile #7857.

### Steps 14a + 18b:

You may use silicon lubricant spray in order to help you slide the rubber seal into the profiles.

### Step 17:

A 7mm hole (3/8") must be drilled through the pre-drilled hole in profile #7853 (Detail a) and through the Polycarbonate panel.

### Step 20:

Nut (#466) should be fully tightened and then slightly loosened in order to allow smoother motion of the pulley.

### Step 21:

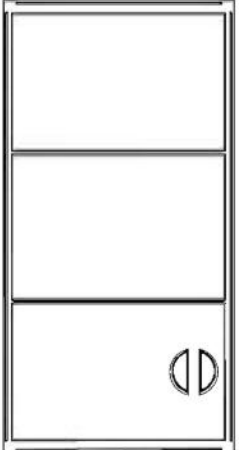
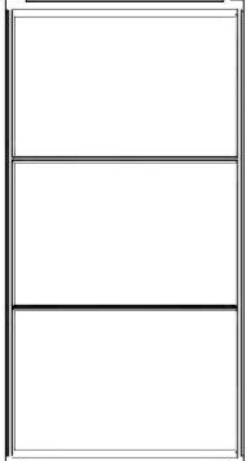
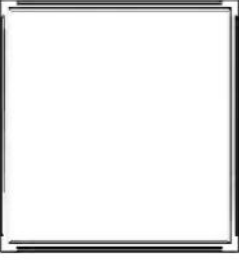
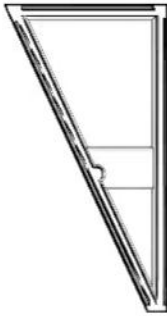
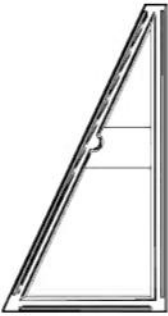














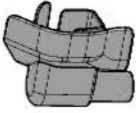
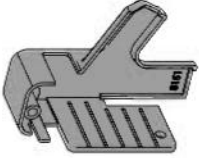


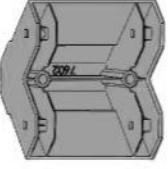
Please note, while assembling the door, make sure it is parallel to the upper rail thus allowing easier motion. If it is not parallel, the nuts should be a bit loosened, repositioned and tightened again.

### Step 24:

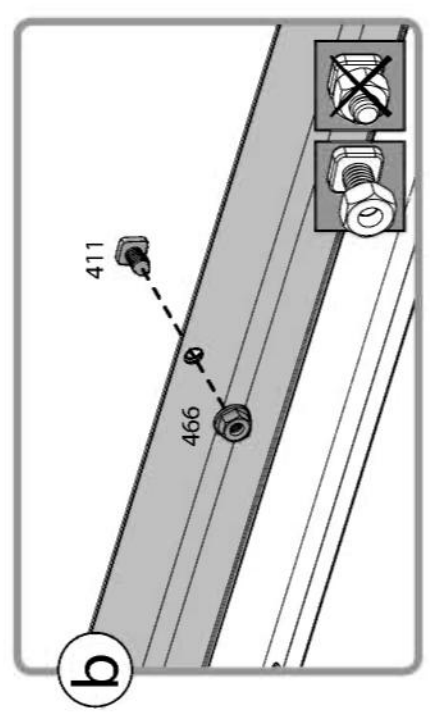
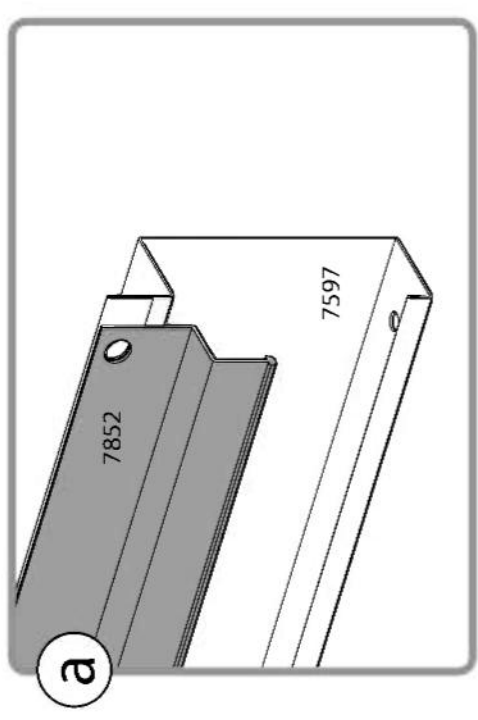
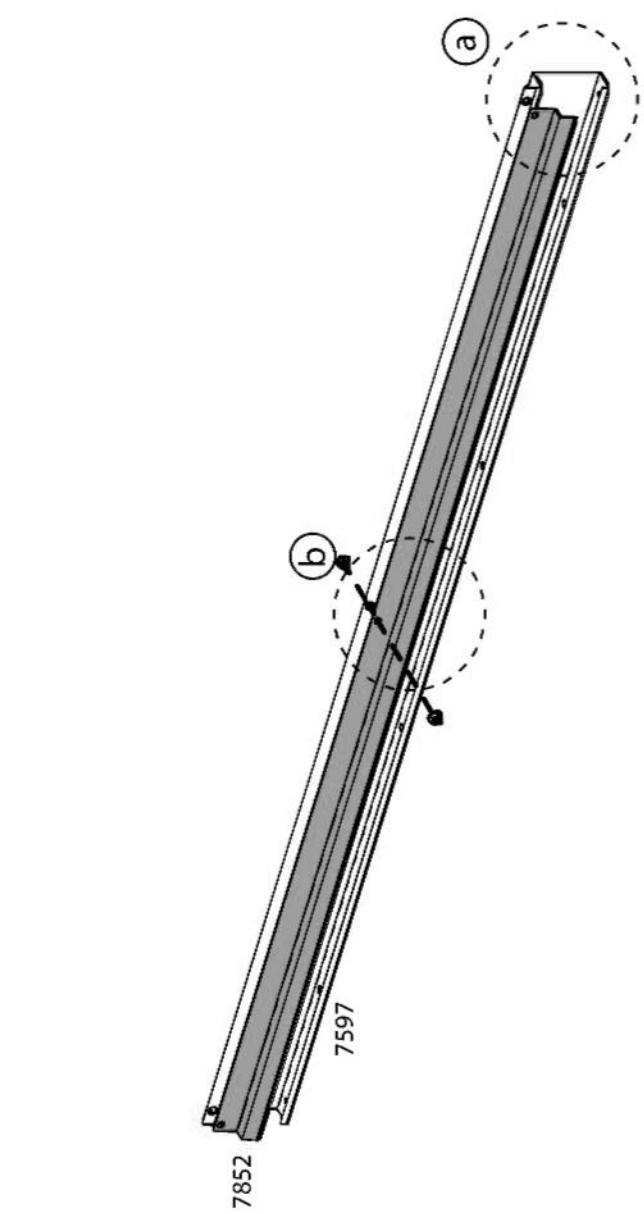
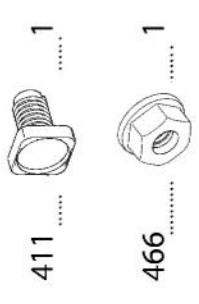
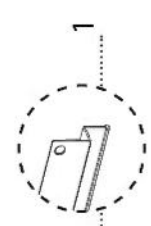
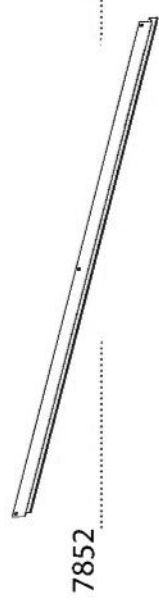
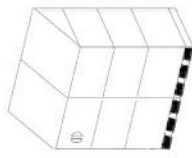
Anchoring the product to the wall (**Details a, b & c**).  
Choose the appropriate screws for the type of wall you want to attach the product to. (Screws and screw anchors are not supplied with the product).

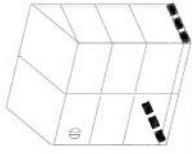
**Contents**

Item	Qty.	Item	Qty.	Item	Qty.
7859	2	7854	2	7846	2
7597	1	7862	2	8004	2
7853	2	7856	2	8003	4
996	2	7849	1		
7852	1	7850	1		
7857	4	7855	1	8011	1
7851	1	999	2	8008	1
7848	1	8549	2		
7847	1				

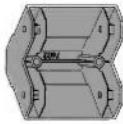
7992		1
7011		3
7842		2
7841		1
7840		1
411		46 (+4)
466		46 (+3)
7442		12 (+2)
7445		2
4008		10 (+2)
447		2
4044		2
421		6 (+1)
7183		2
7175		2
423		6 (+1)
8050		2
304		4
344R		1
344L		1
8151		1
8152		1
8153		2
7602		2

**1**





7602 .....

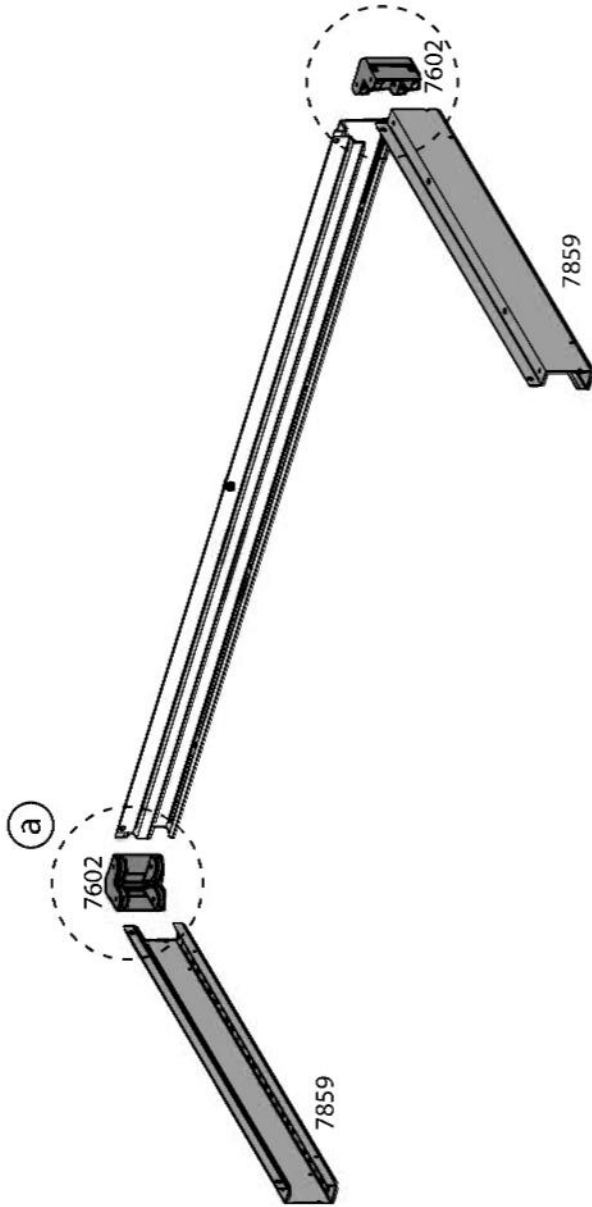
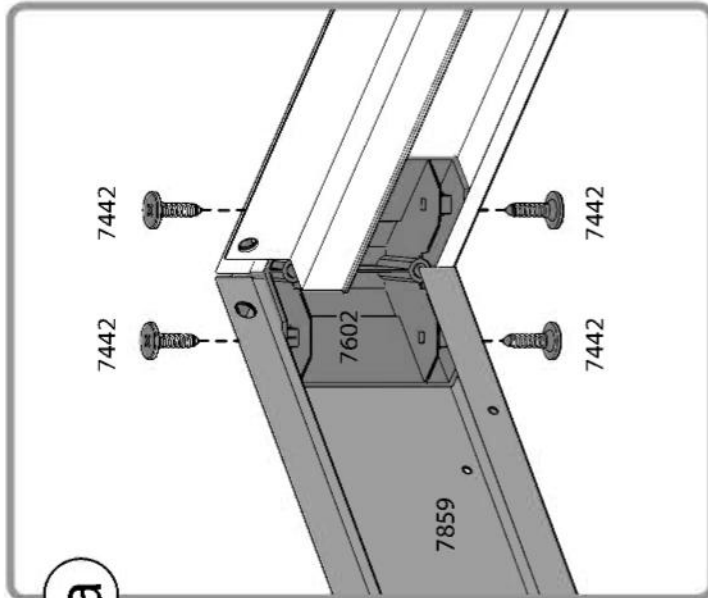


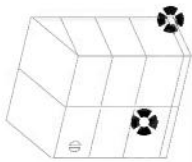
2 .....



7442 .....

8 .....





8153 .....

2 .....



7442 .....

4 .....



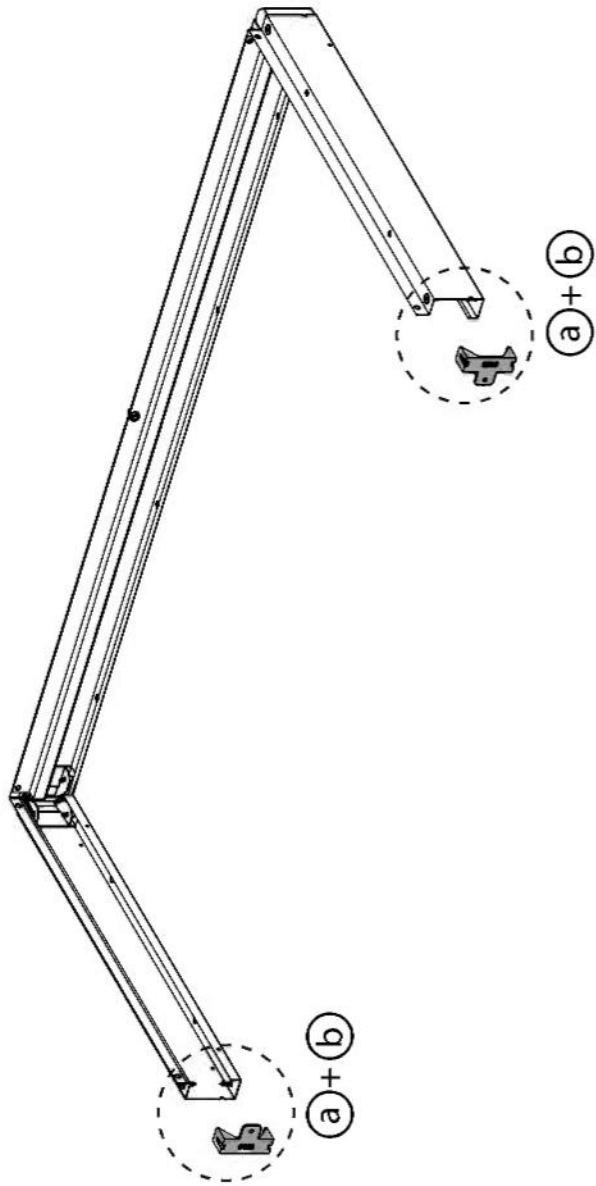
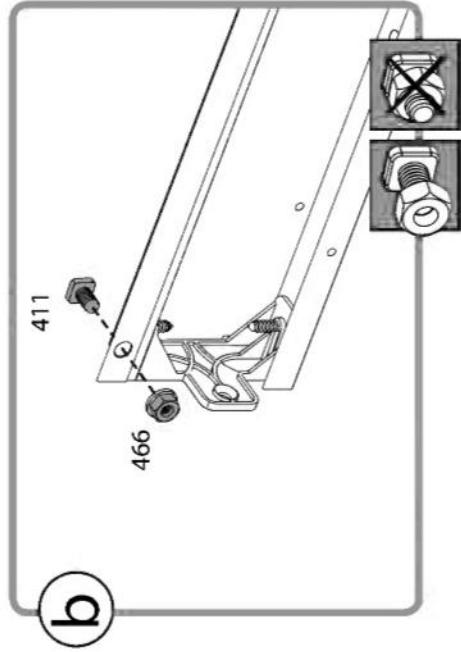
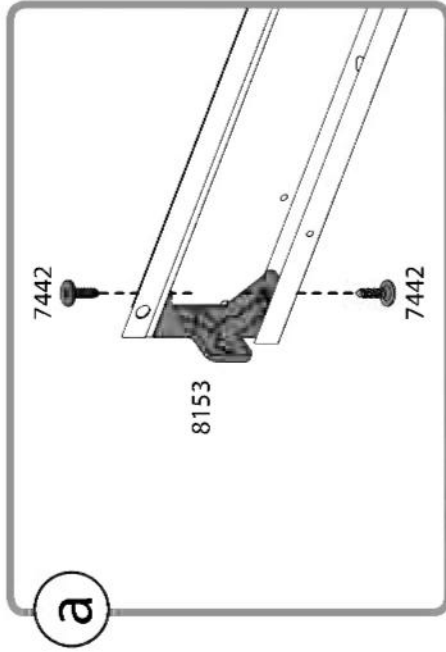
411 .....

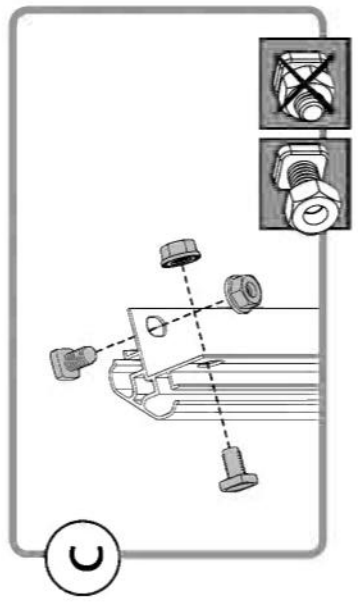
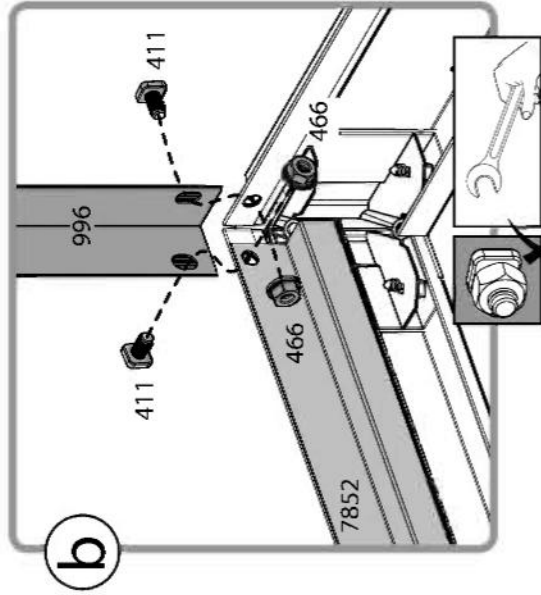
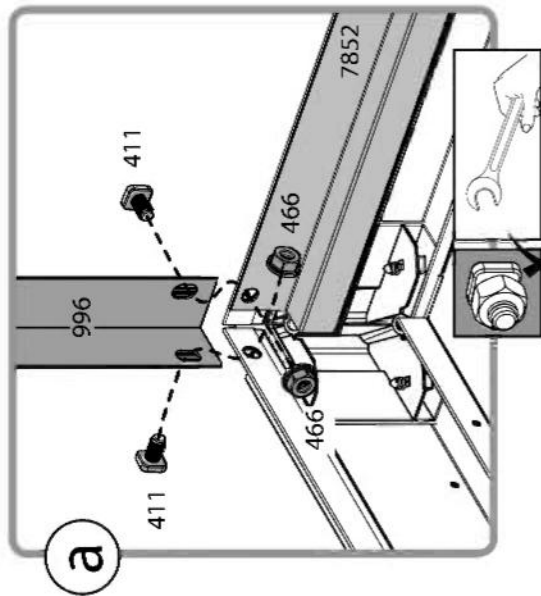
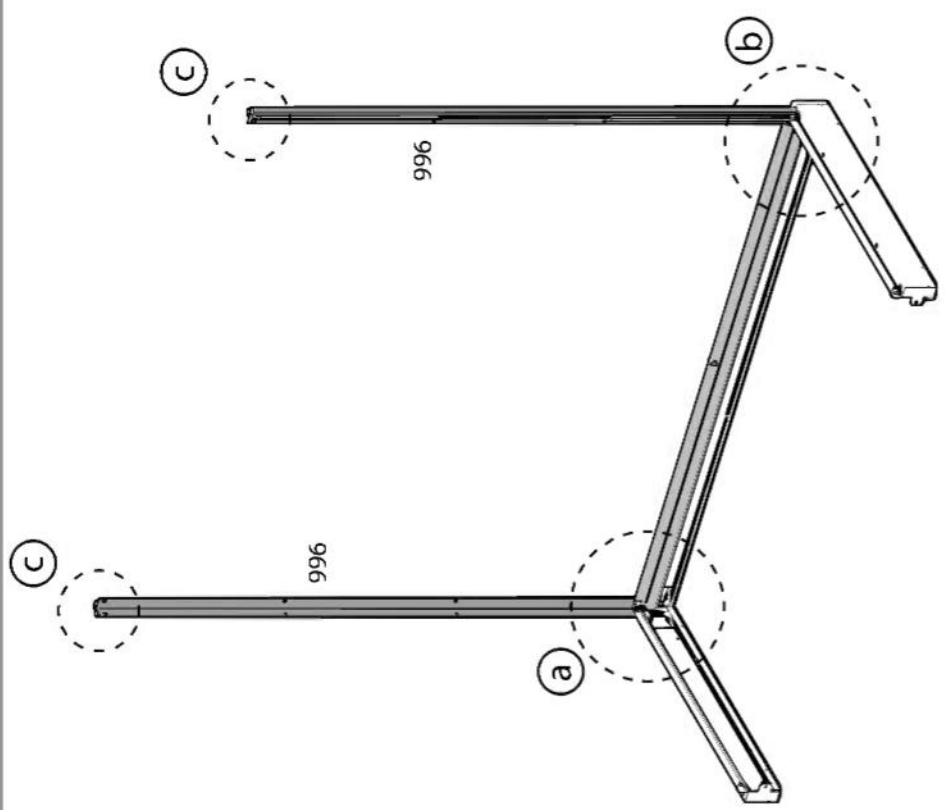
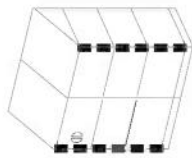
2 .....

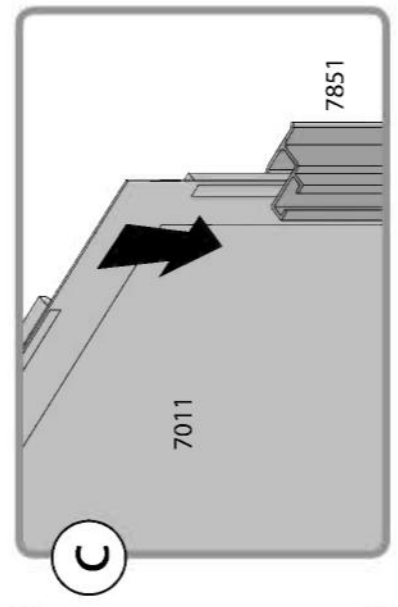
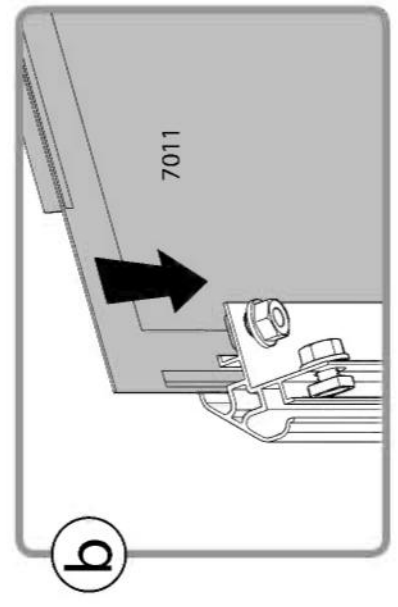
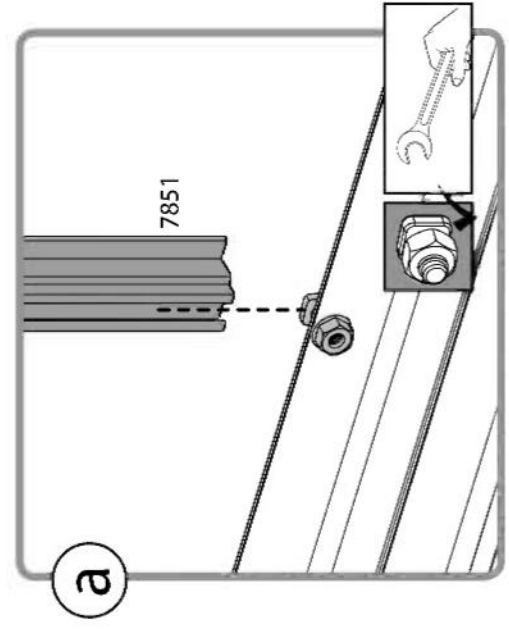
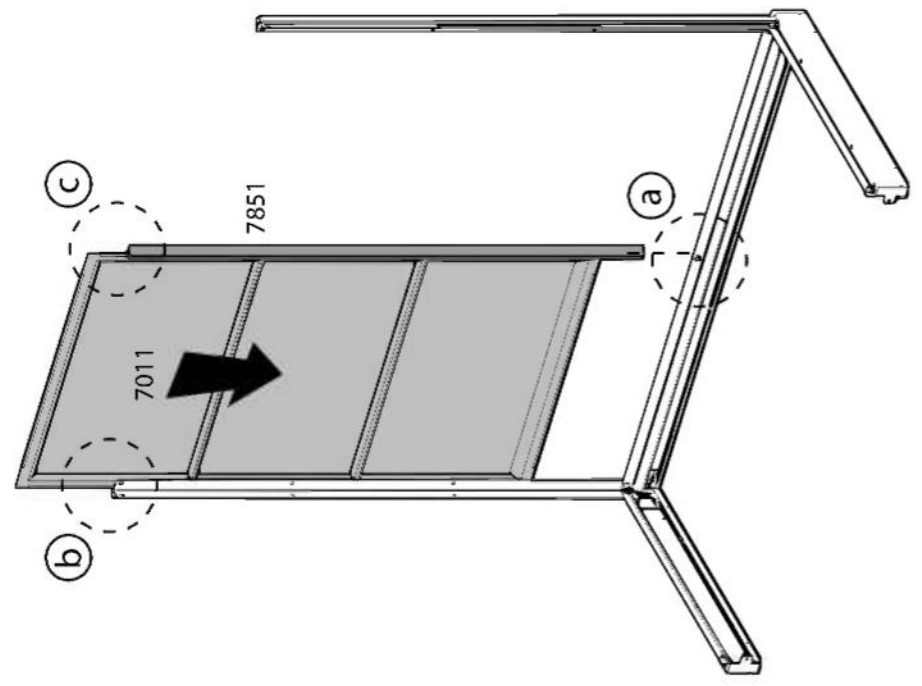
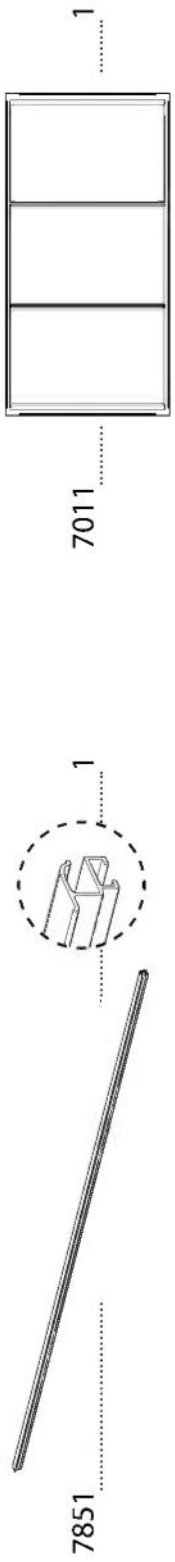
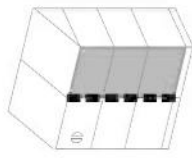


466 .....

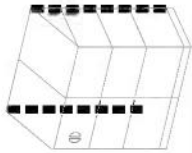
2 .....











7857



4



8004

2



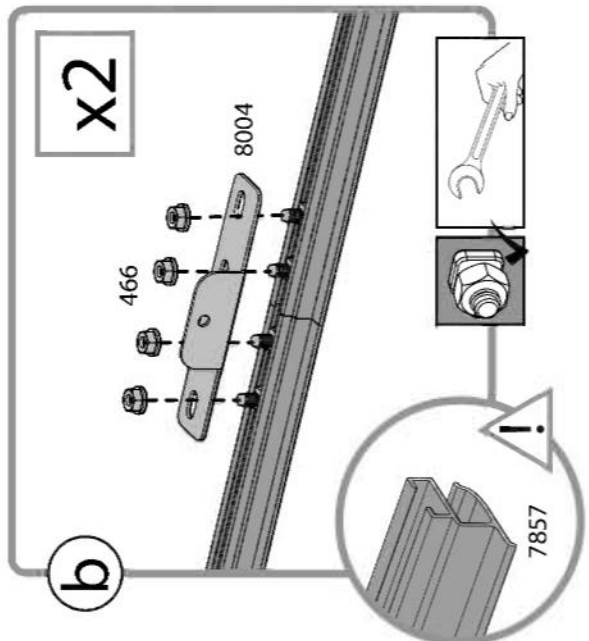
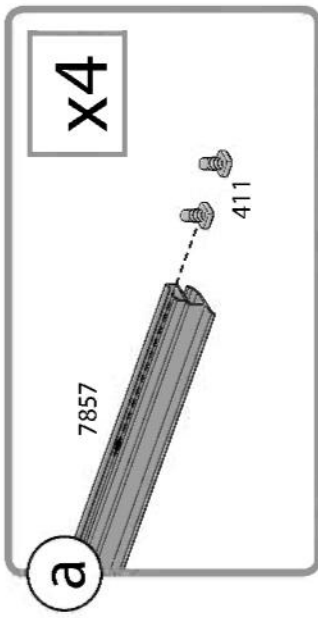
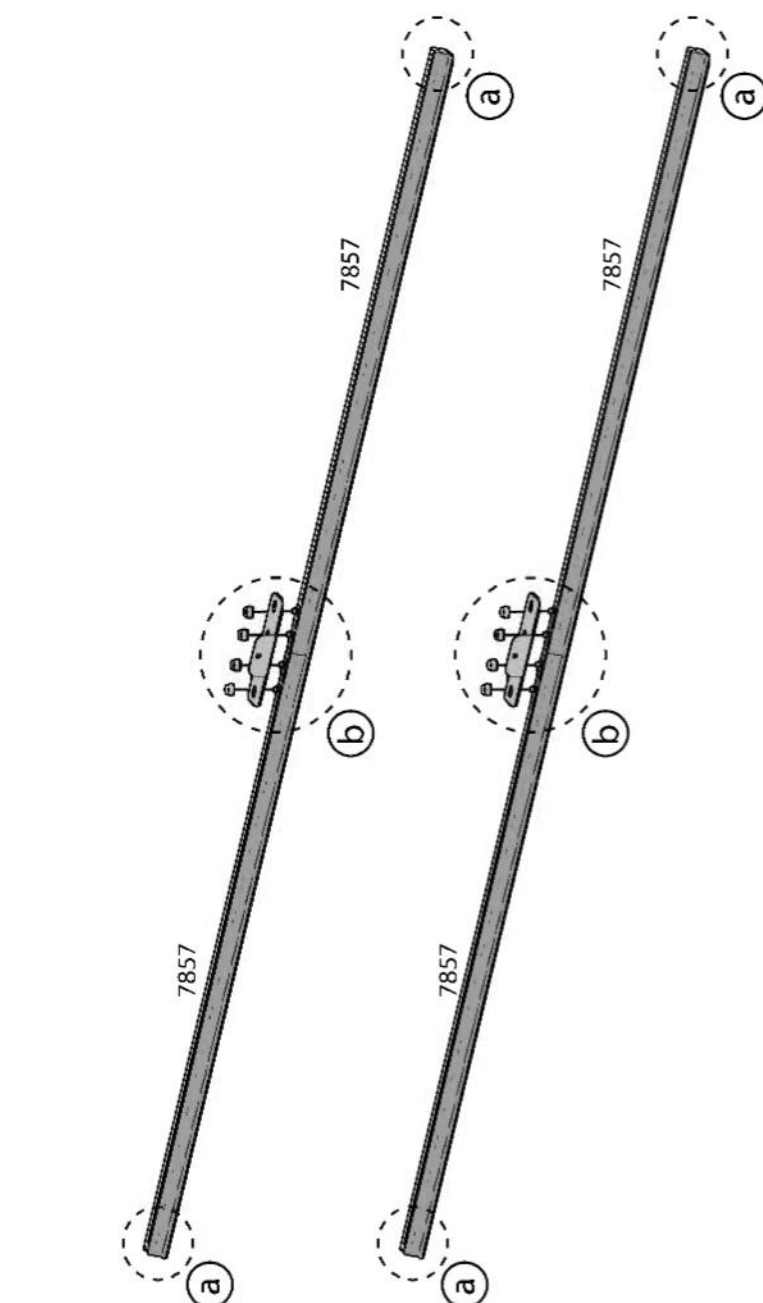
411

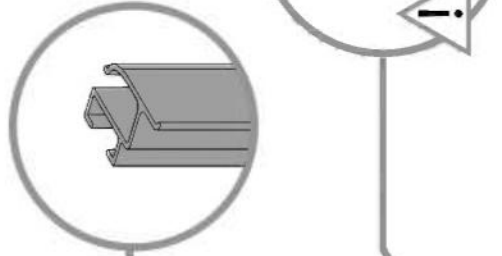
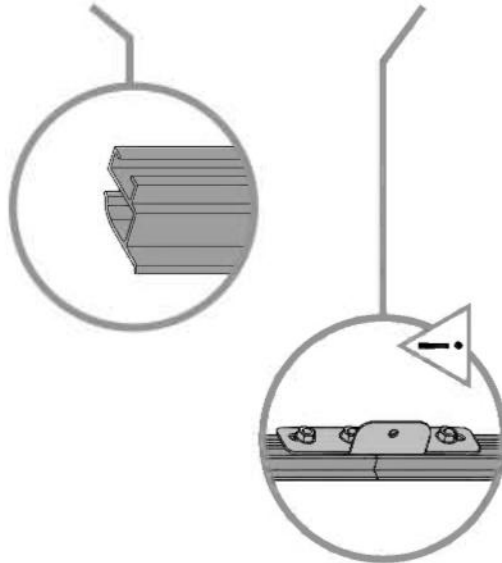
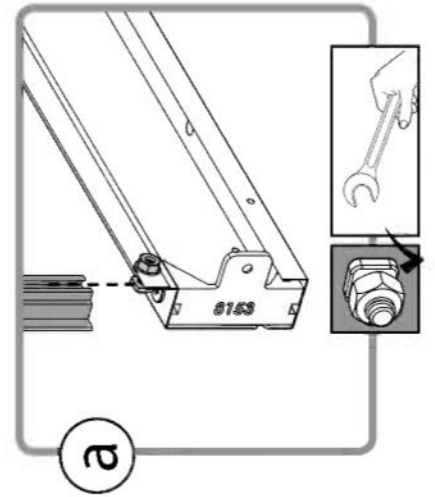
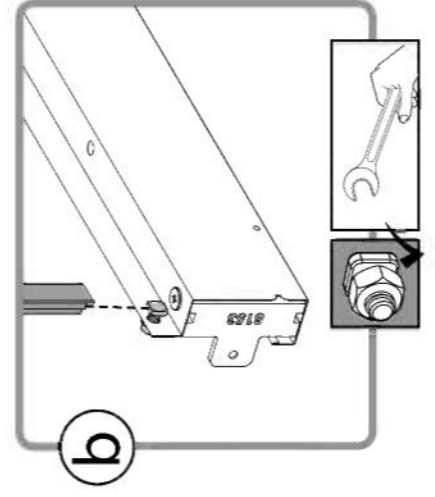
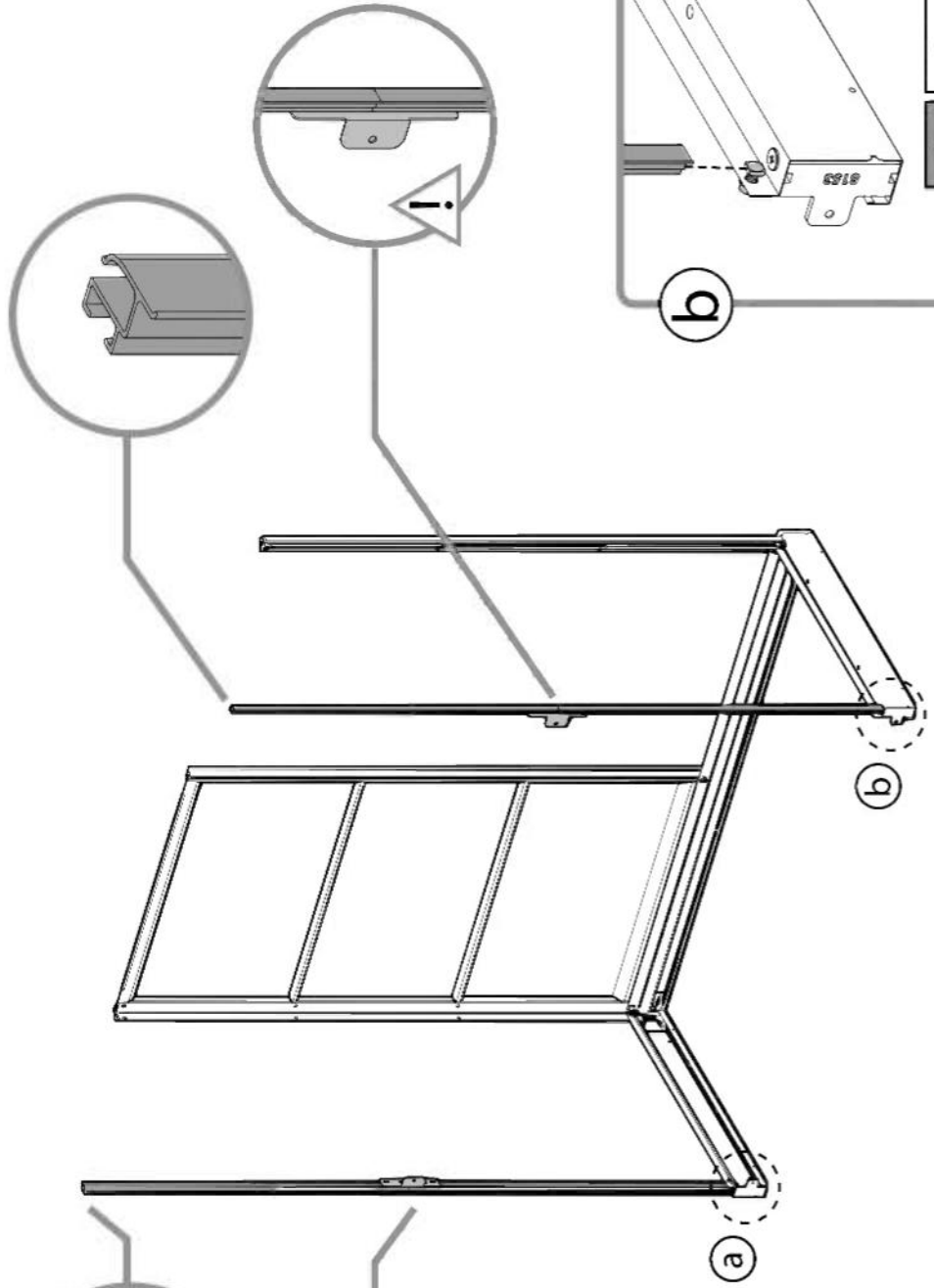
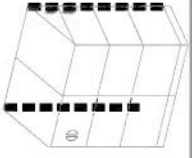
8

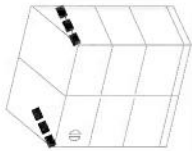


466

8







8549 .....

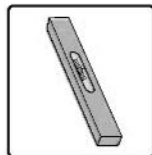
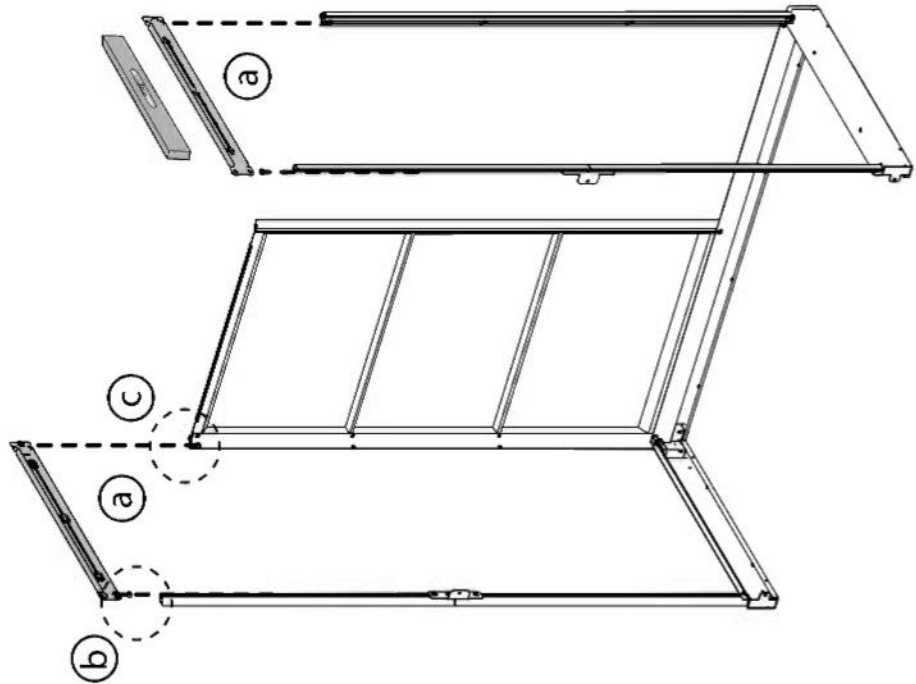
2 .....



411 ... 4 .....

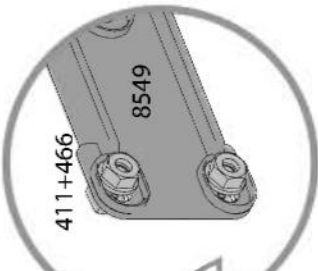


466 ..... 4 .....

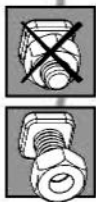


x2

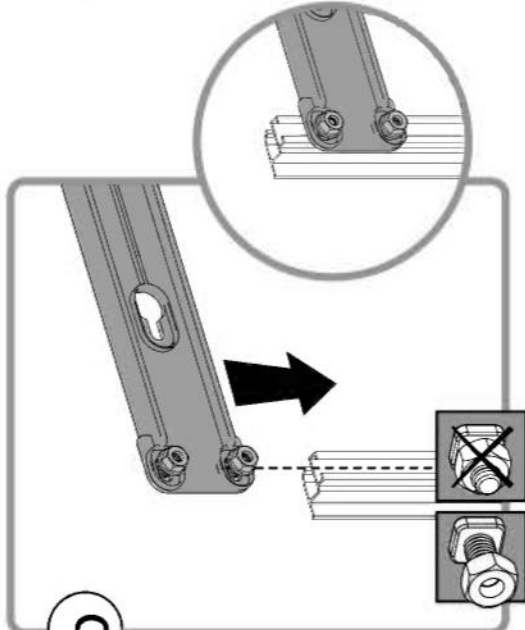
a



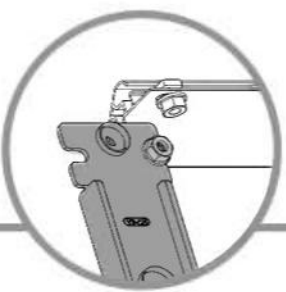
411+466  
8549

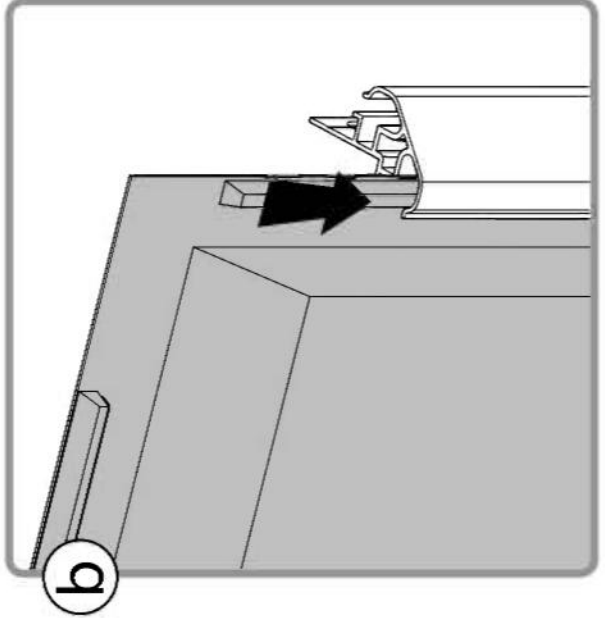
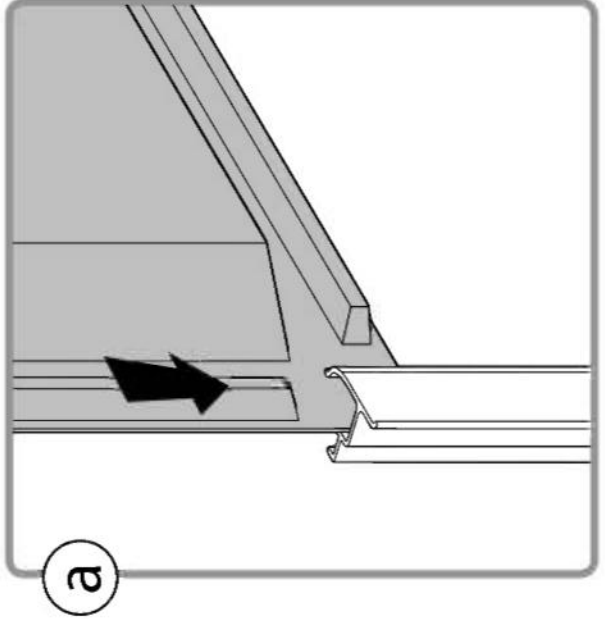
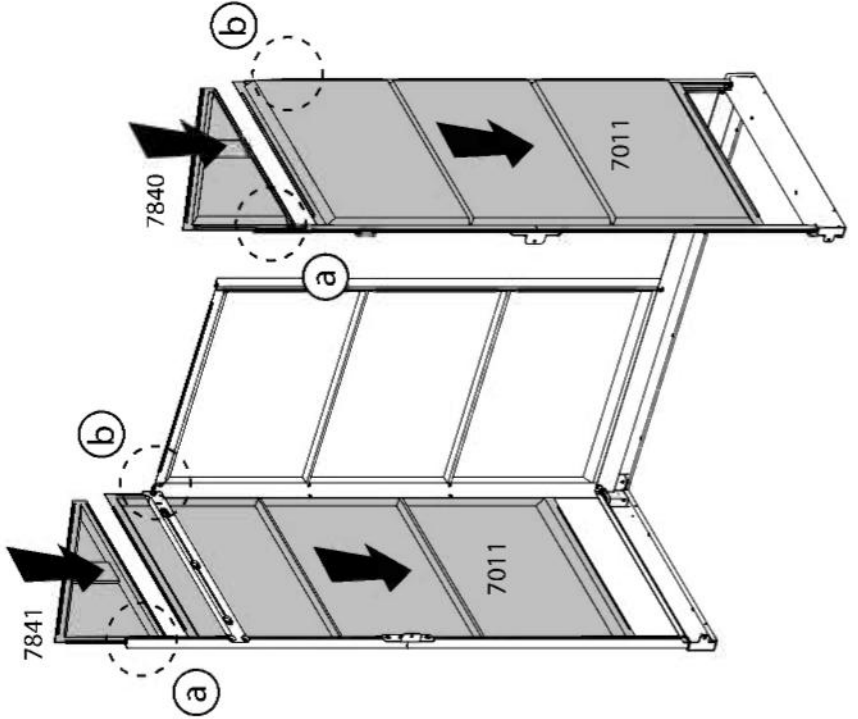
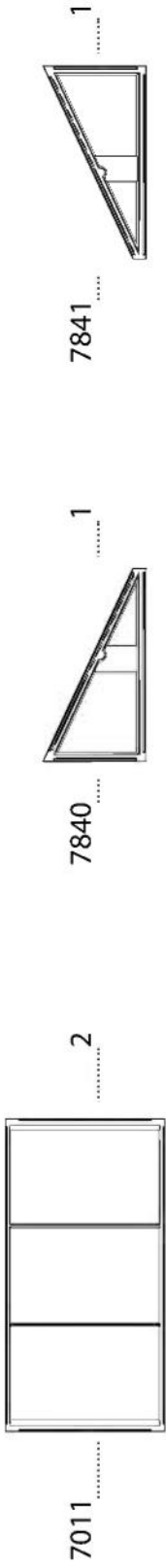
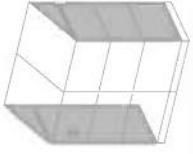


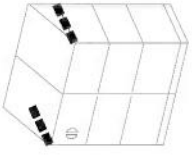
b



c







999 ..... 2

411 ..... 6

466 ..... 6

a

999

411+466

999

b

999

c

d

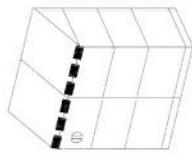
e

(a+b)

(c+e)

(d)

(e)



466 ..... 1



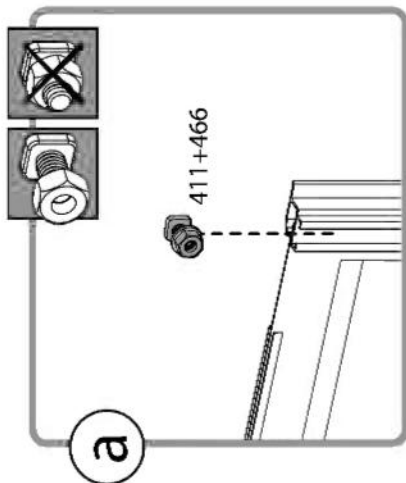
411 ... 1



7848 ..... 1

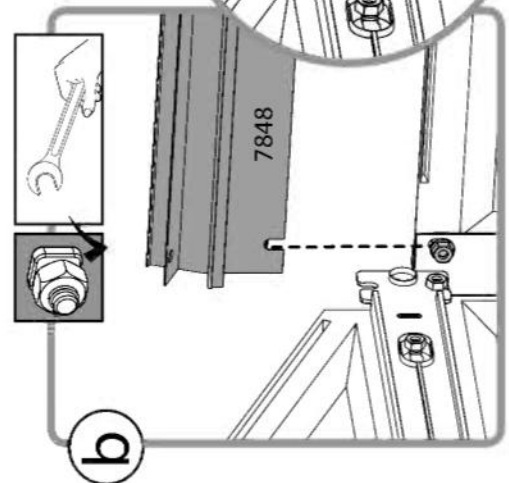


7848 .....



a

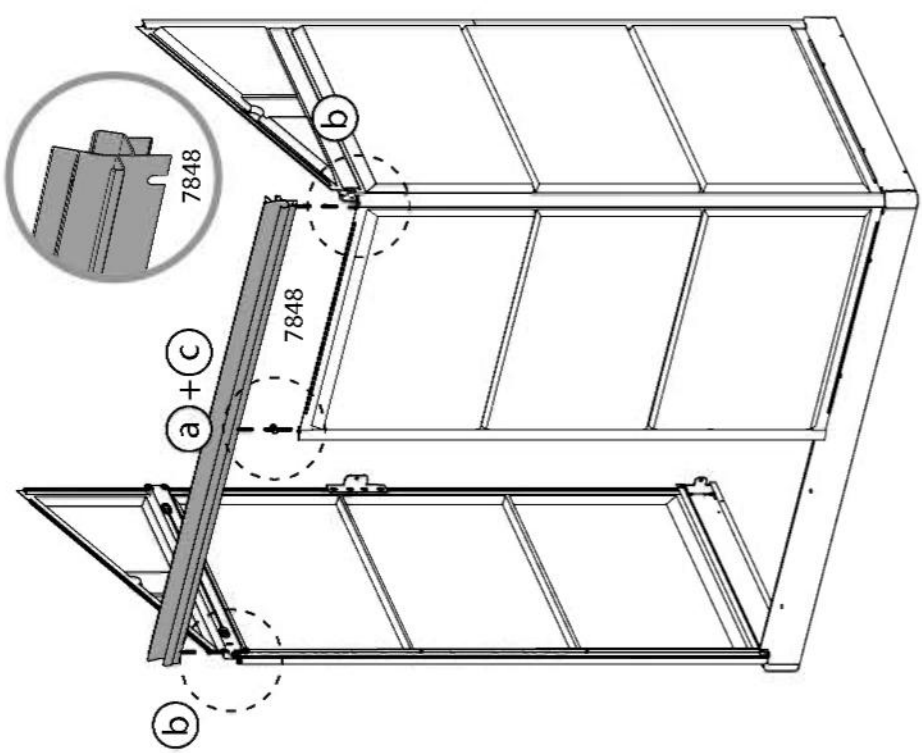
411+466



b

7848

7848

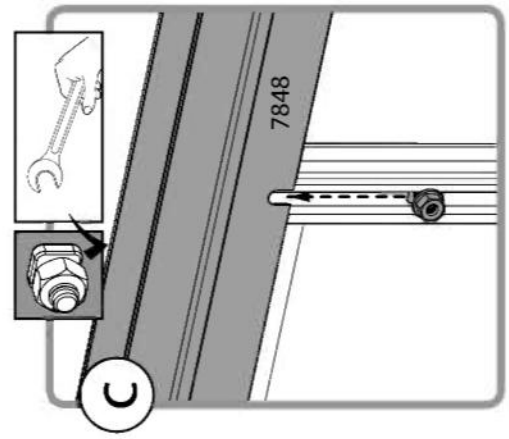


b

a + c

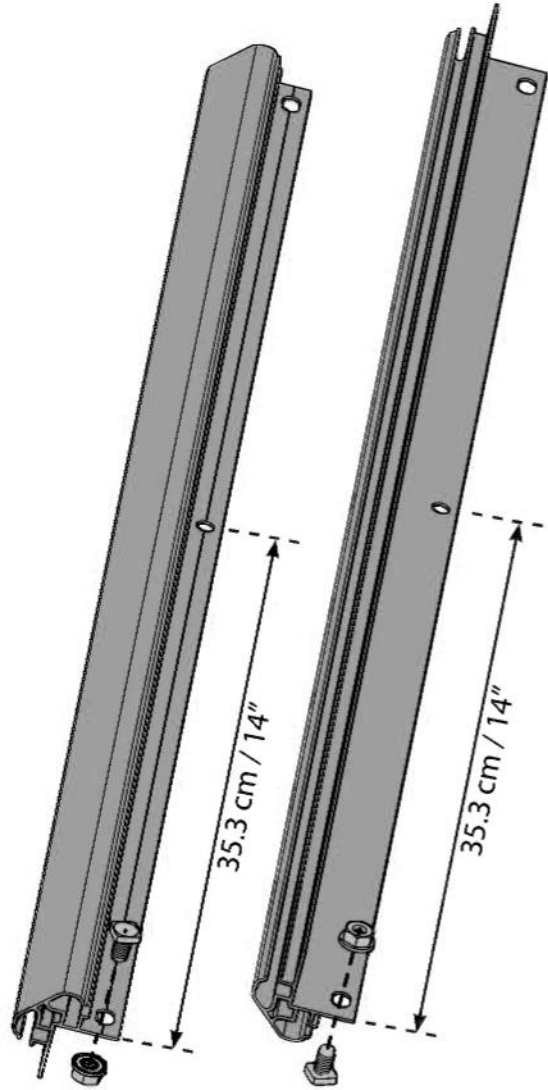
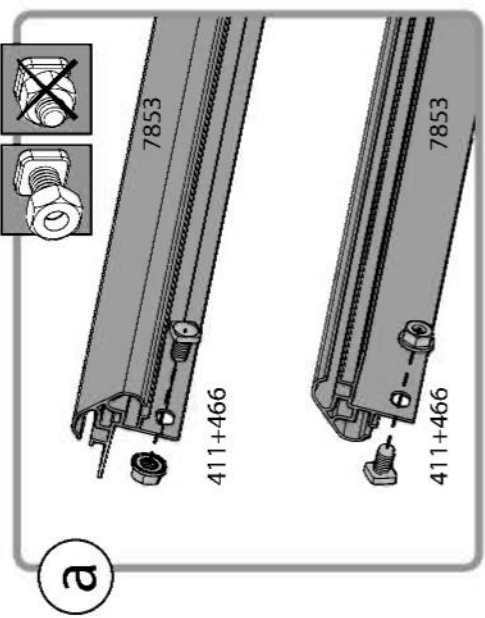
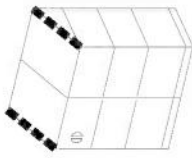
7848

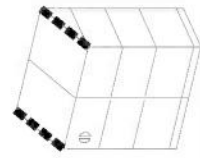
7848



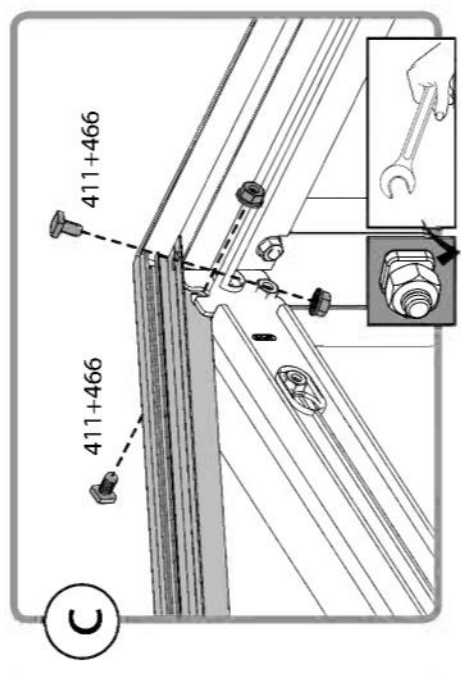
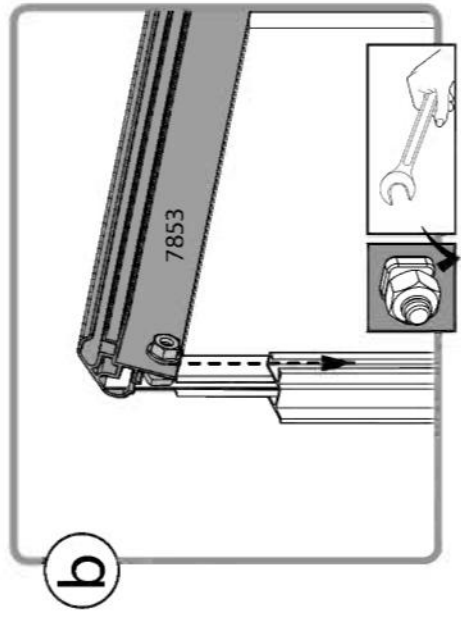
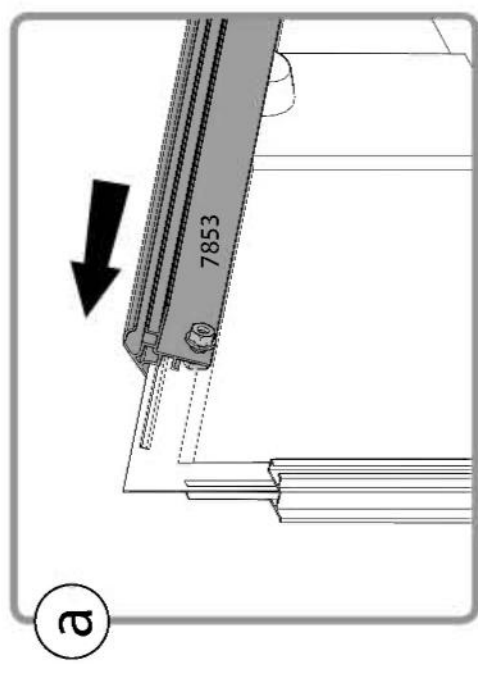
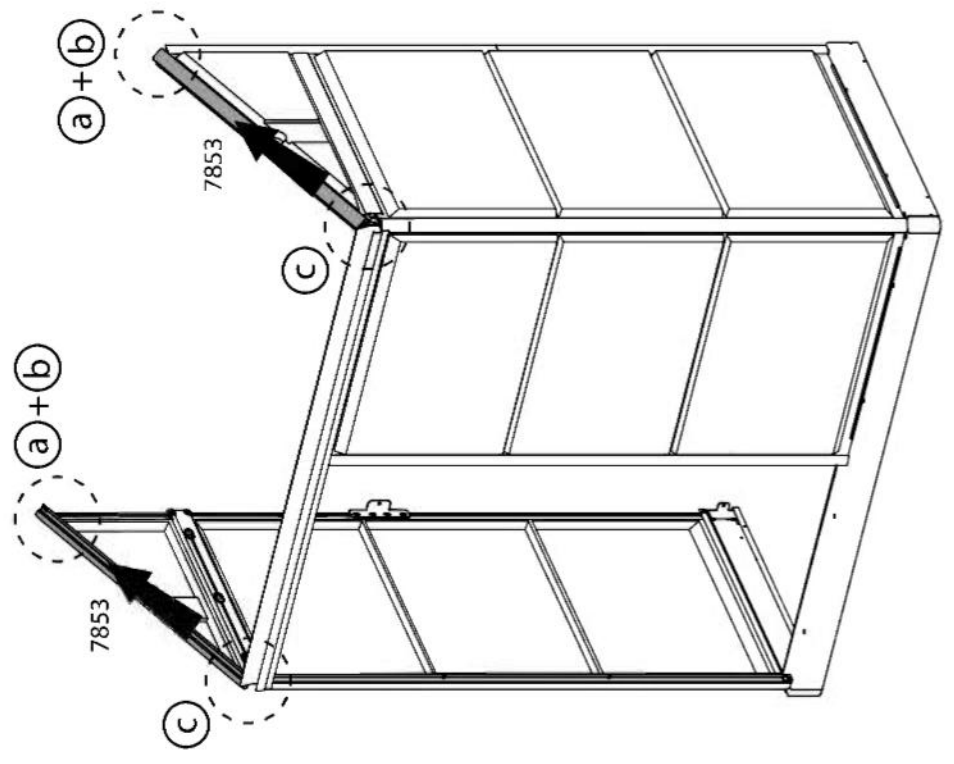
c

7848

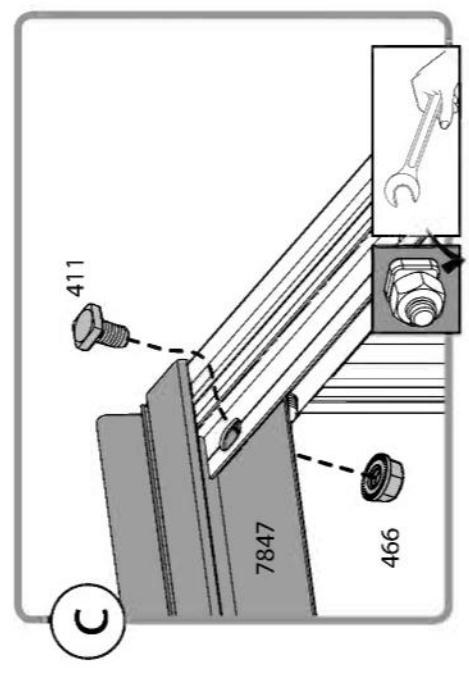
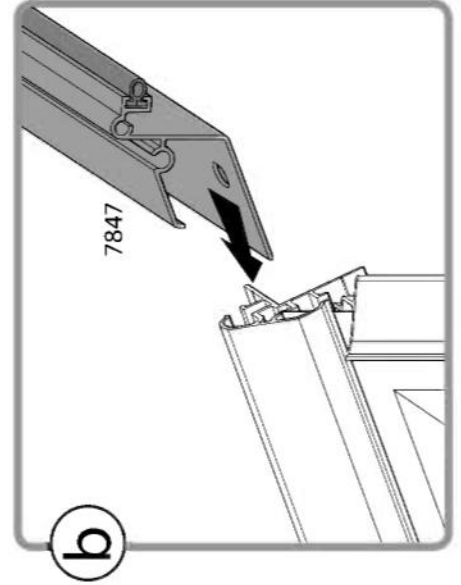
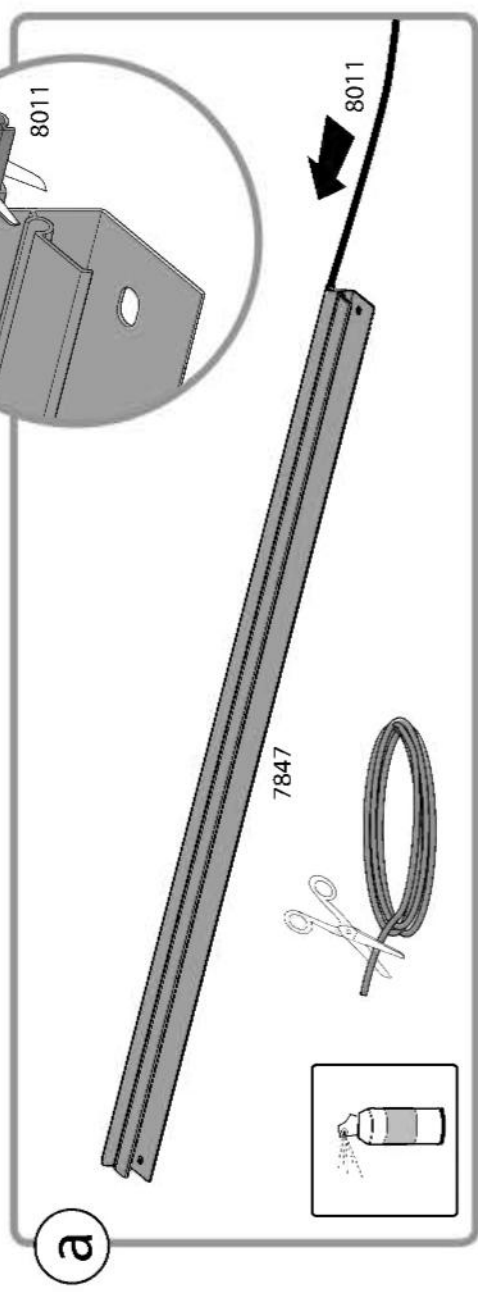
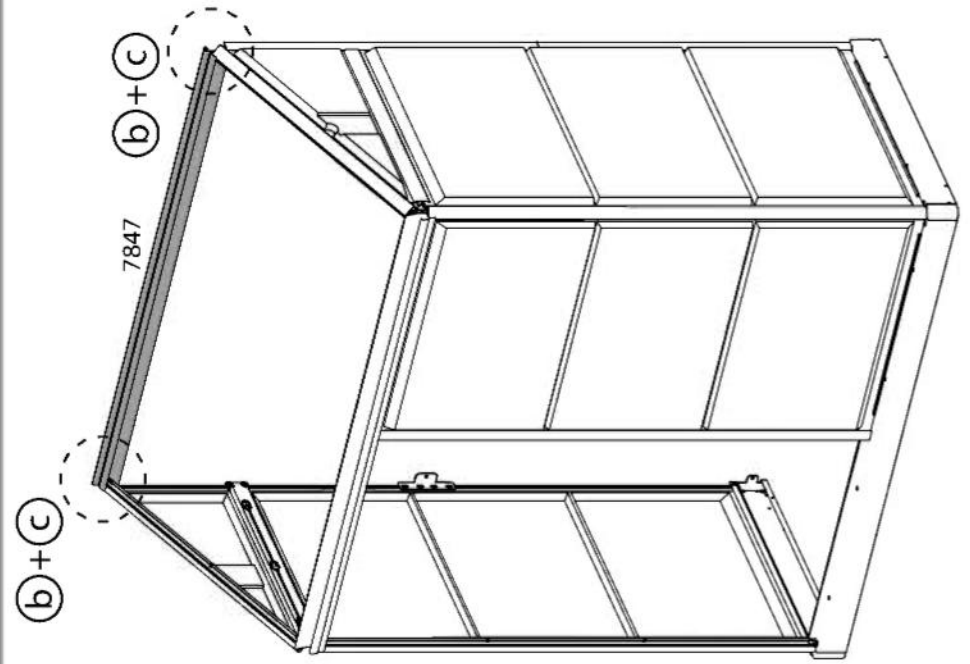
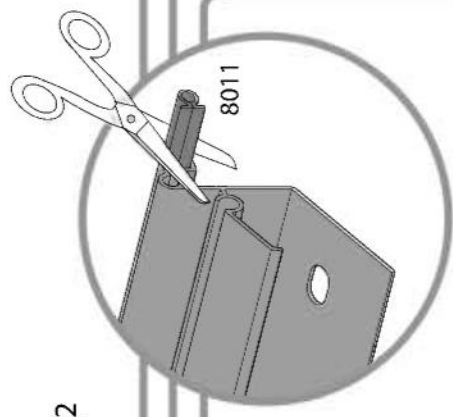
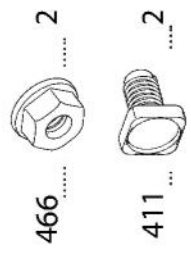
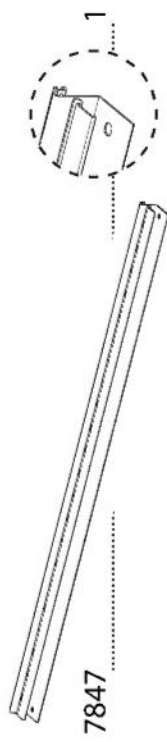
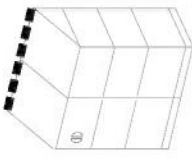


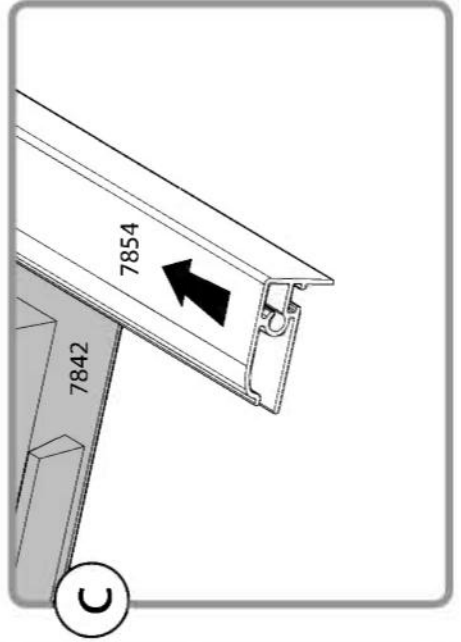
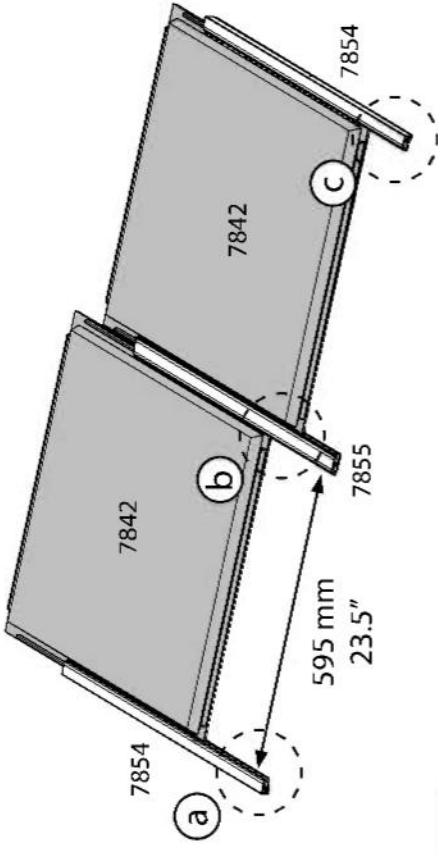
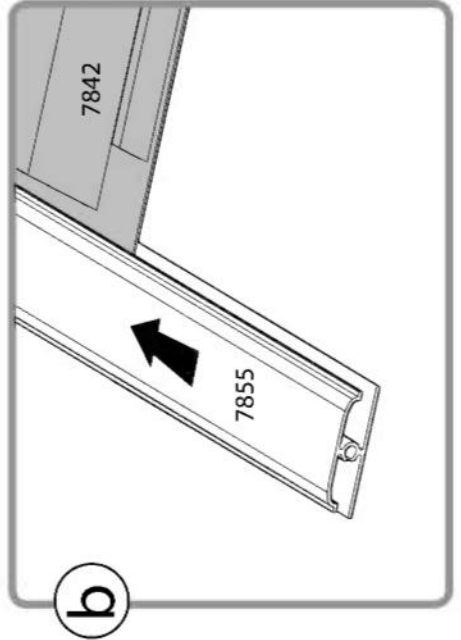
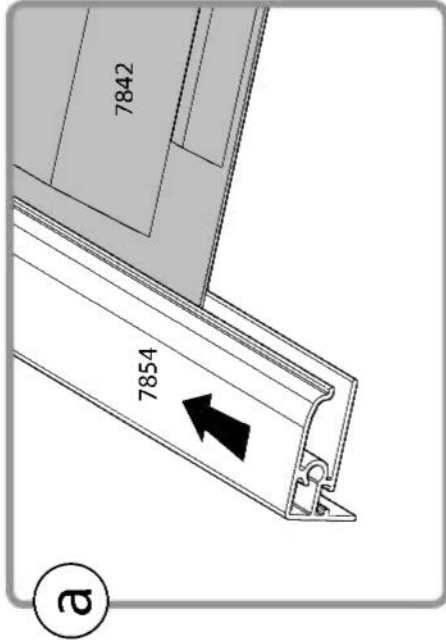
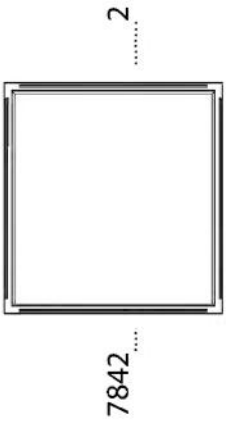
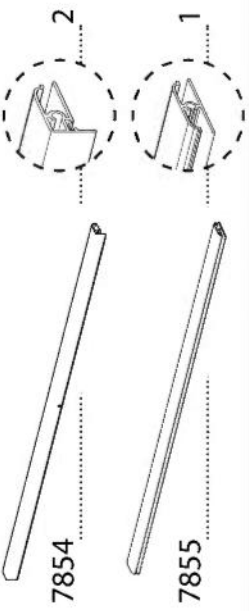
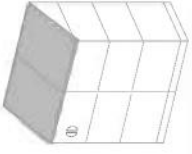


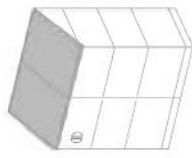
- 411 ... 4  .....
- 466 ..... 4  .....







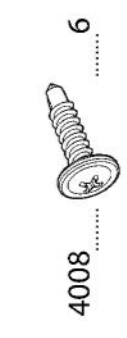




7850

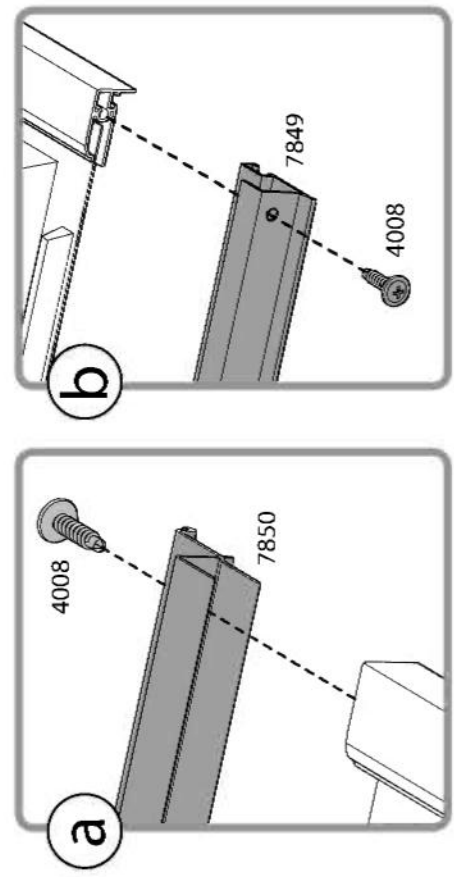


7849



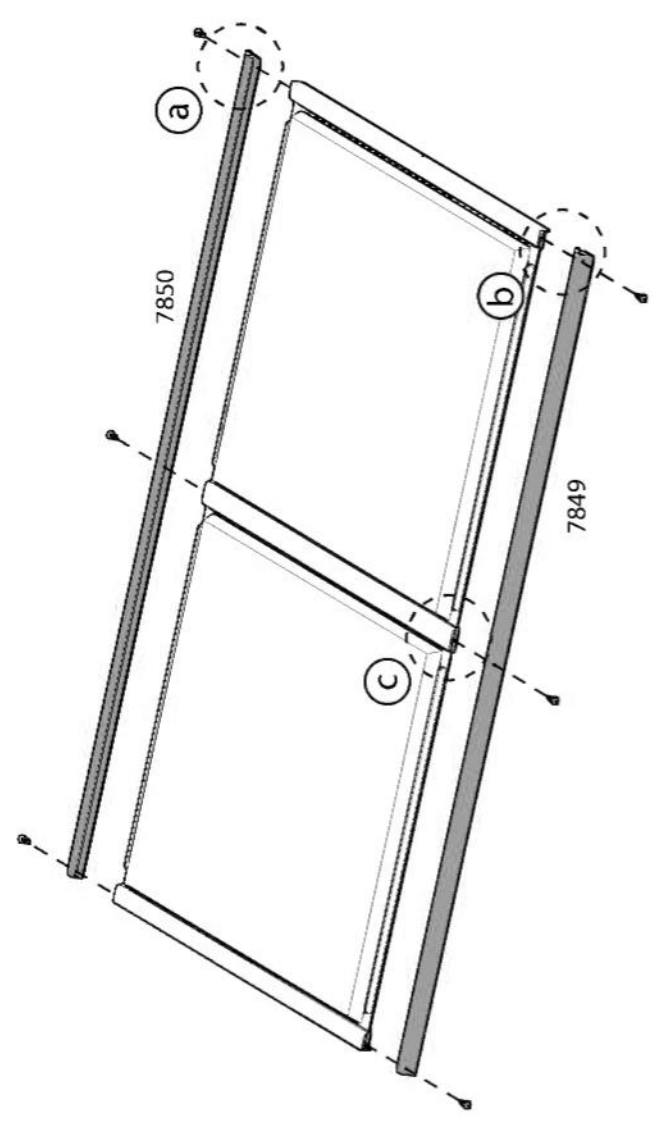
4008

6



a

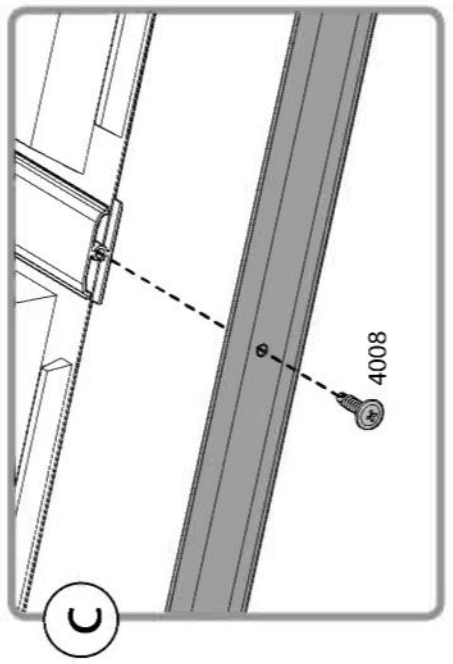
b



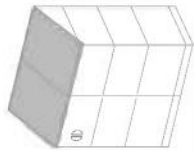
a

b

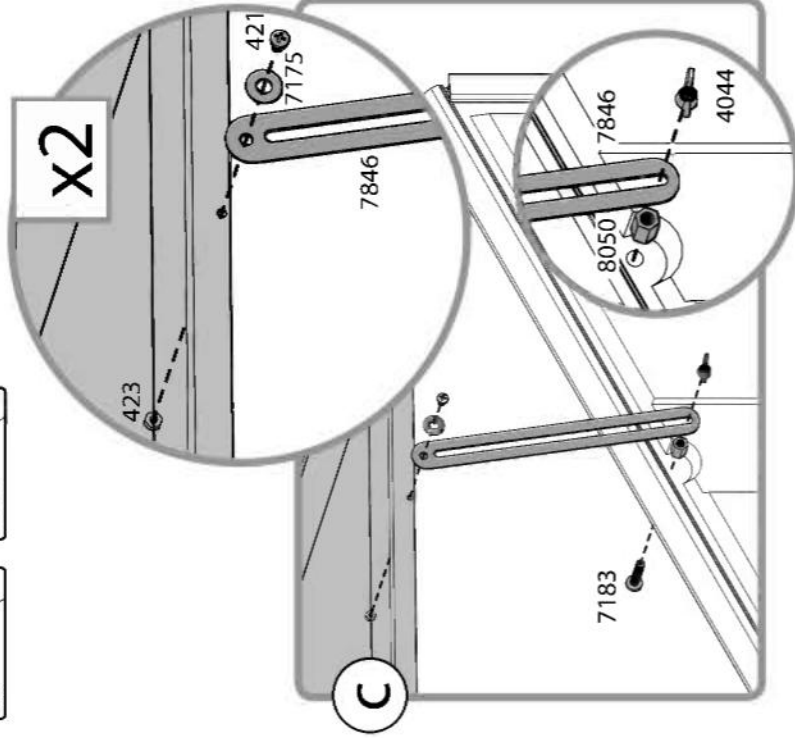
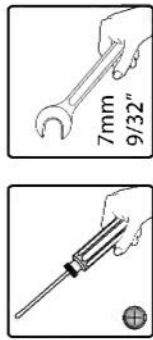
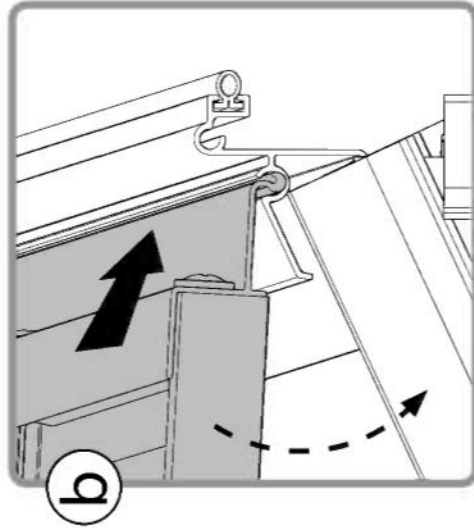
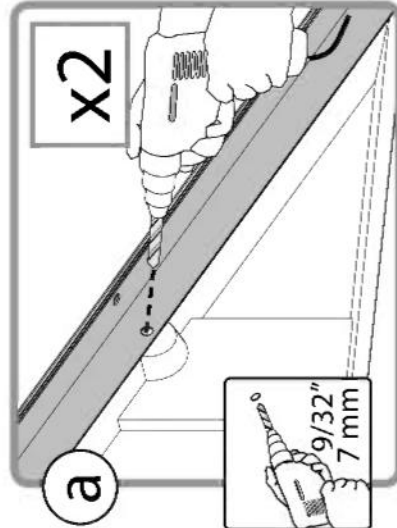
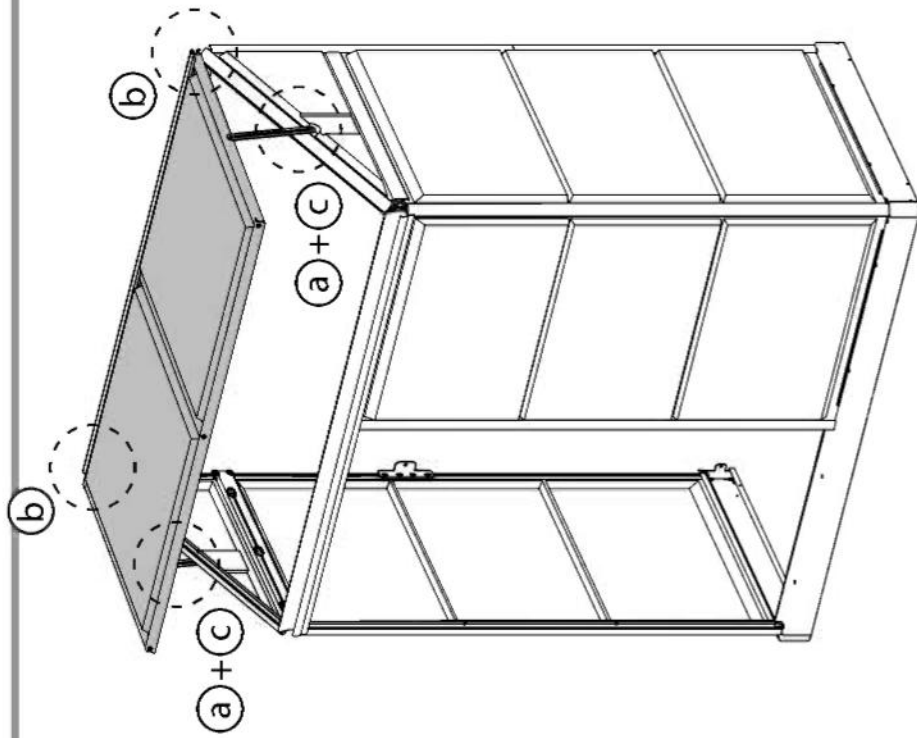
c

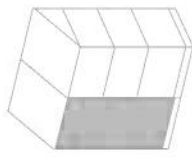


c



- 7846 ..... 2
- 4044 ..... 2
- 423 ..... 2
- 7175 ..... 2
- 421 ..... 2
- 7183 ..... 2
- 8050 ..... 2





7992 .... 1

8008 ..... 1

7862 ..... 2

7862

8008

3 cm  
1.18"

8008

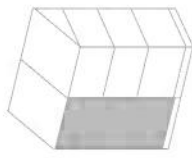
7862 + 8008

7992

7862

7992

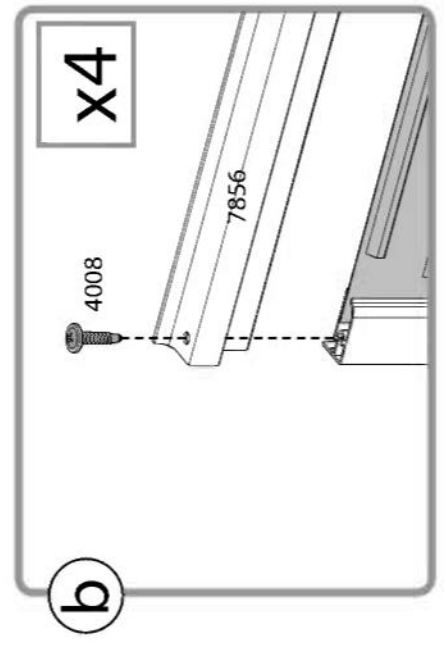
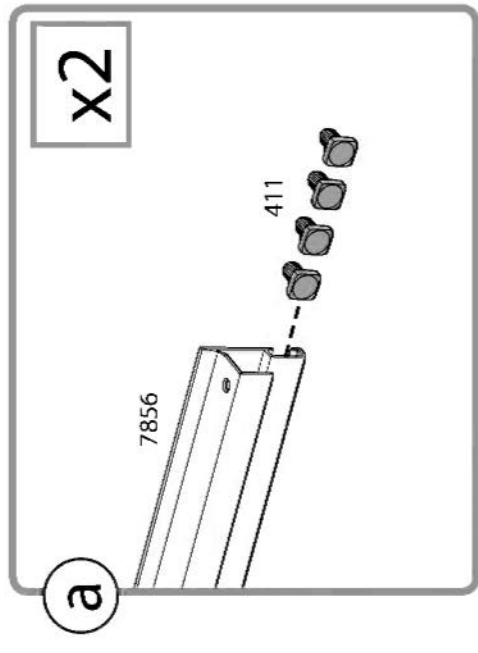
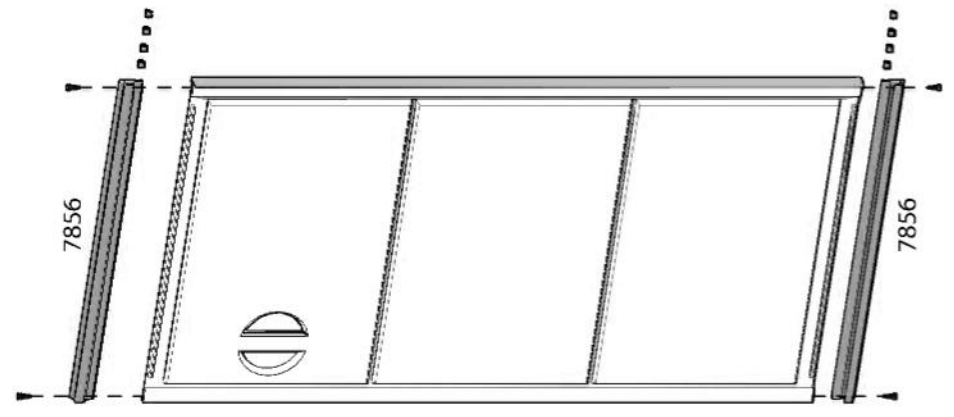
7862 + 8008

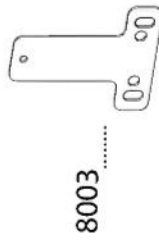
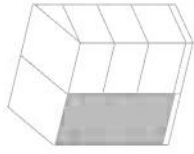


- 7856 .....  

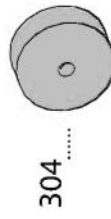
-  ..... 2
- 411 ..... 8  

- 4008 ..... 4  



8003 ..... 4



304 ..... 4

421 ..... 4



4 ..... 4

423 ..... 4



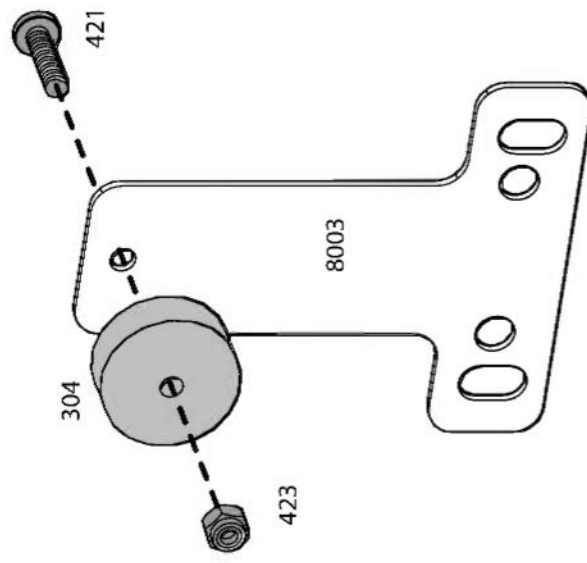
4 ..... 4



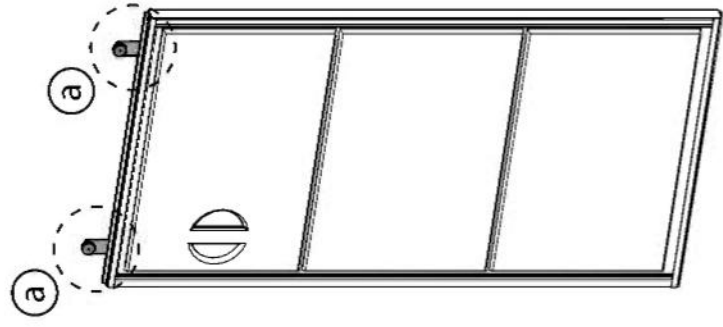
466 ..... 4

4 ..... 4

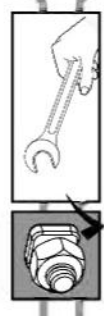
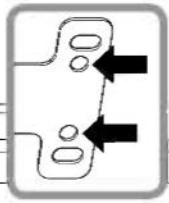
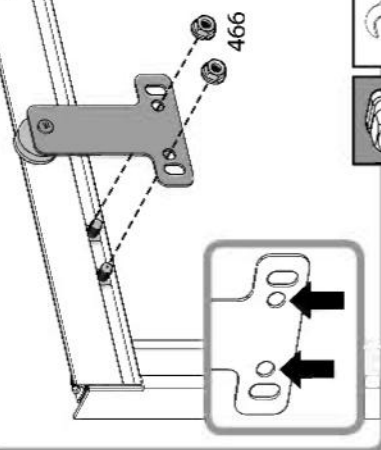
**X4**



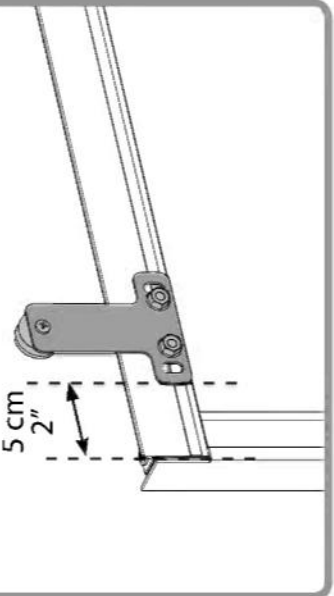
**a**



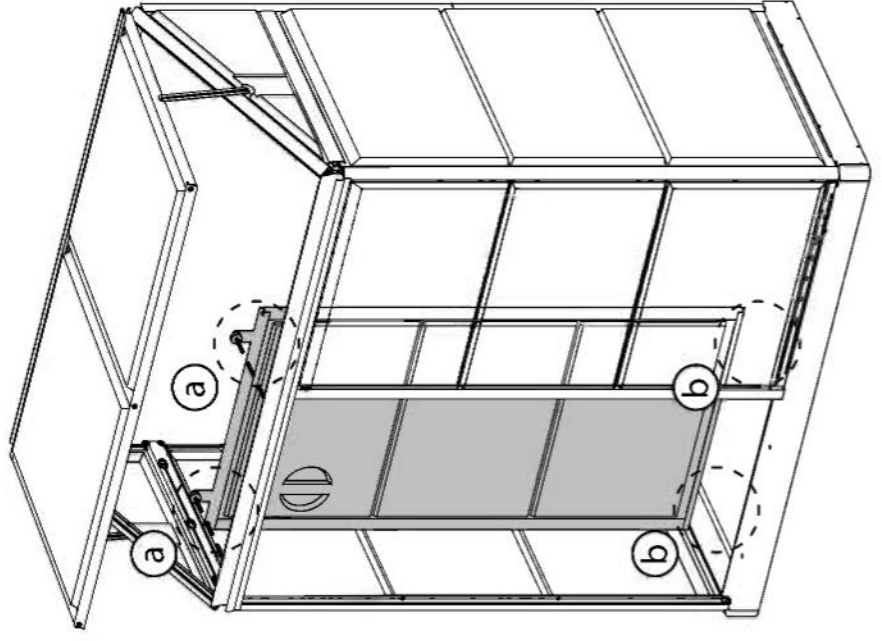
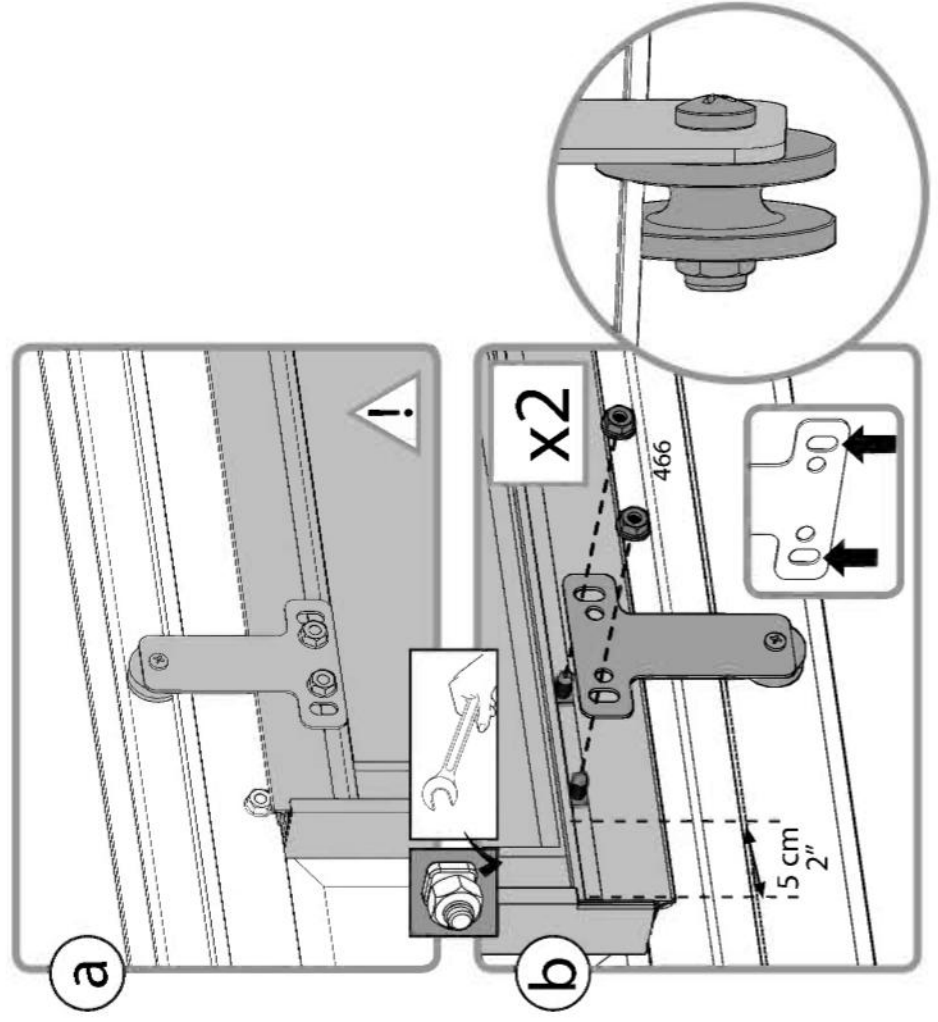
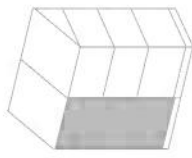
**X2**



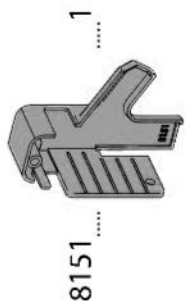
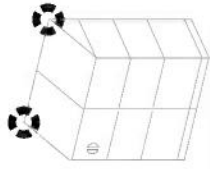
5 cm  
2"



466 ..... 4 

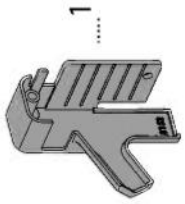






8151 .....

1 .....



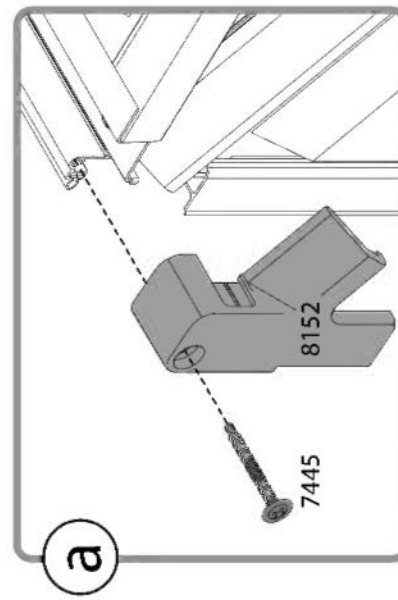
8152 .....

1 .....

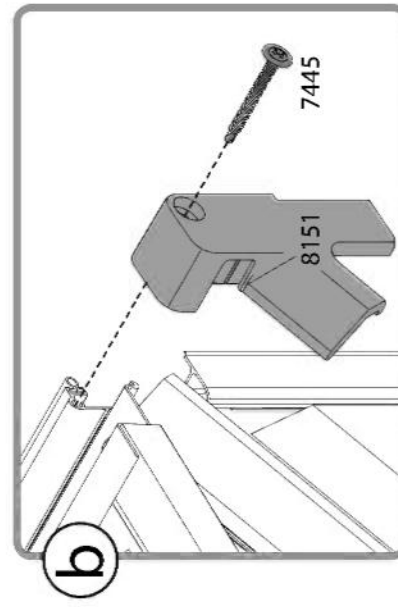
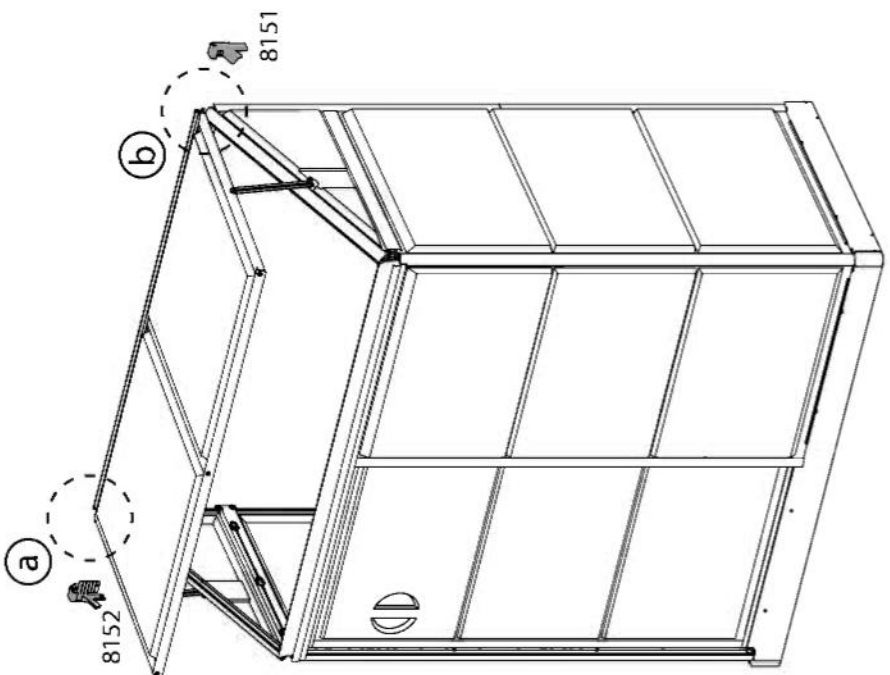
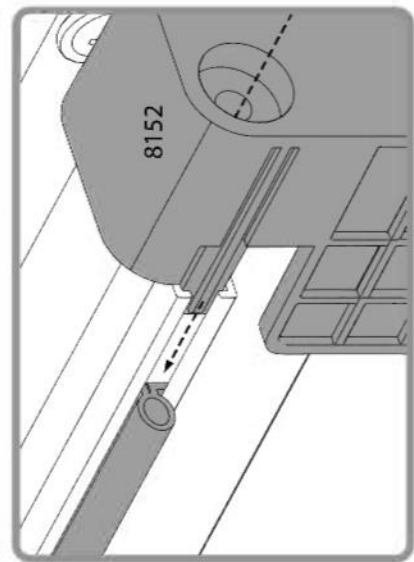


7445 .....

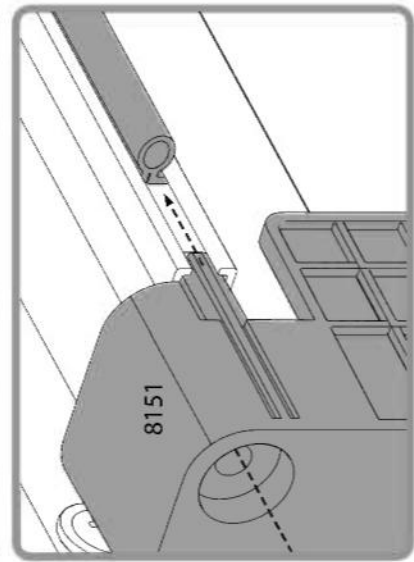
2 .....

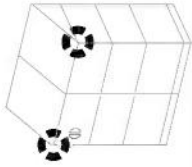


a



b

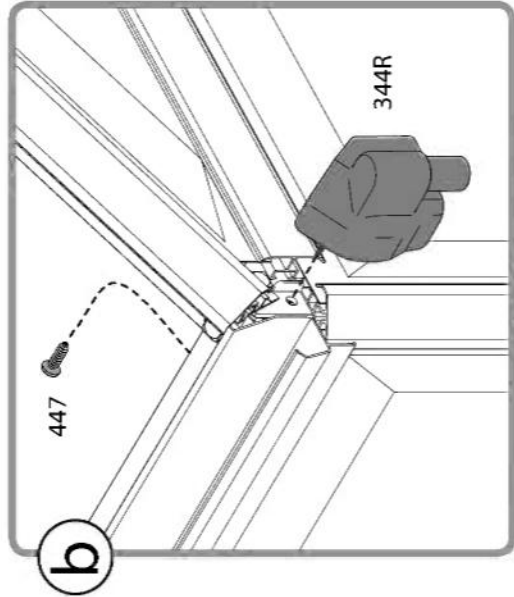
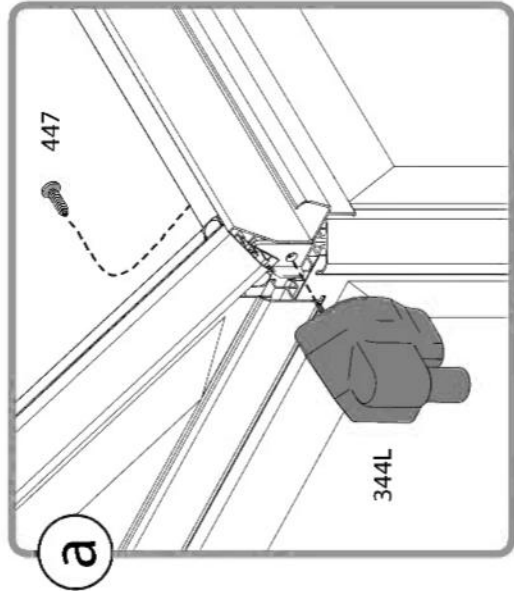
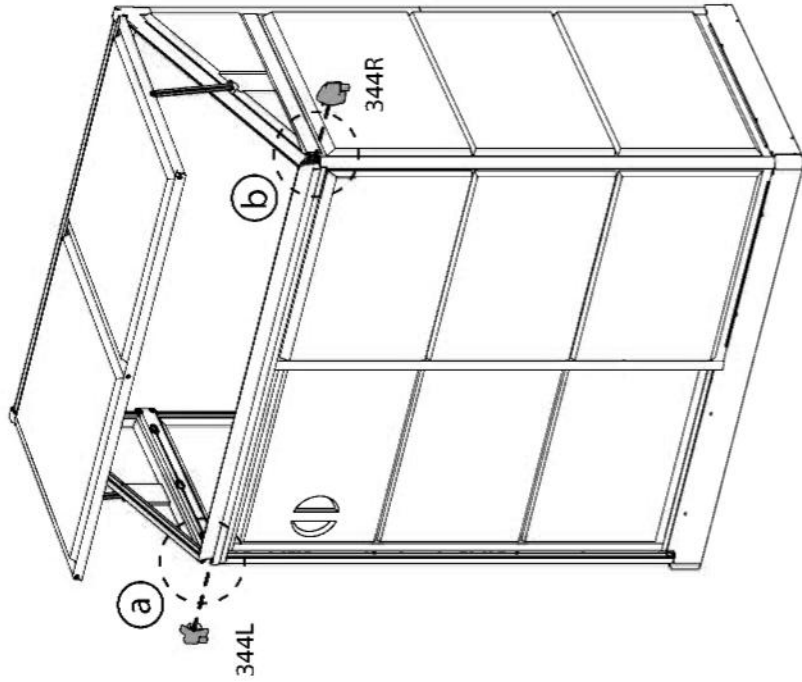
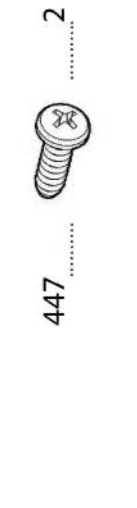


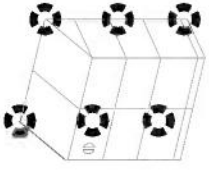
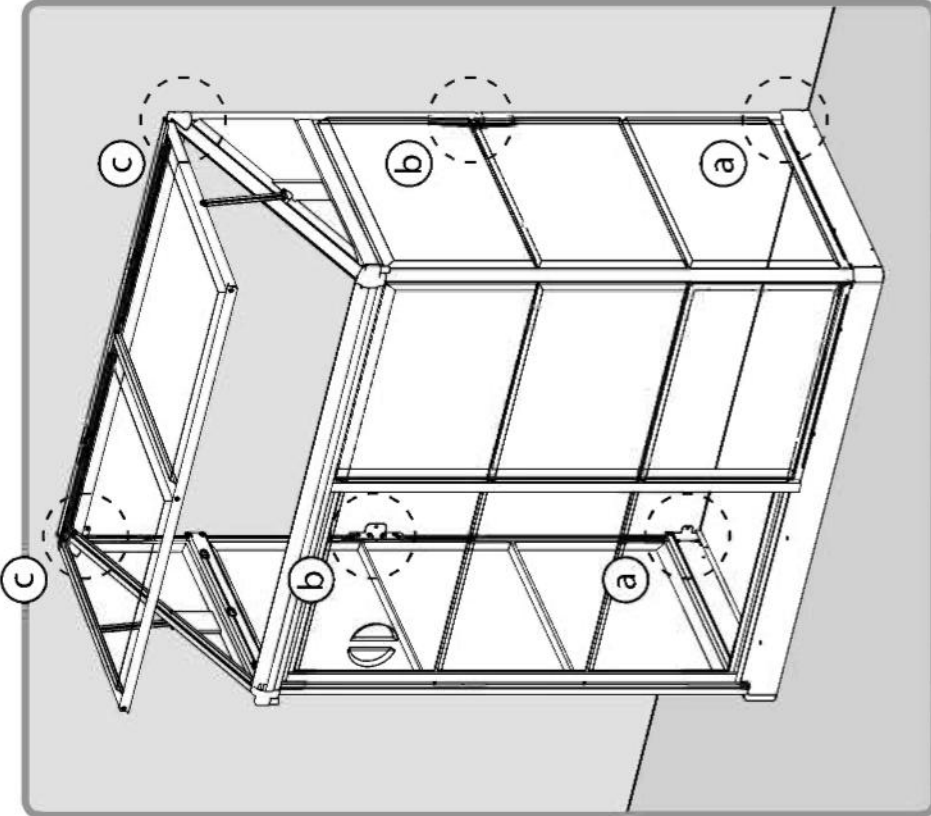
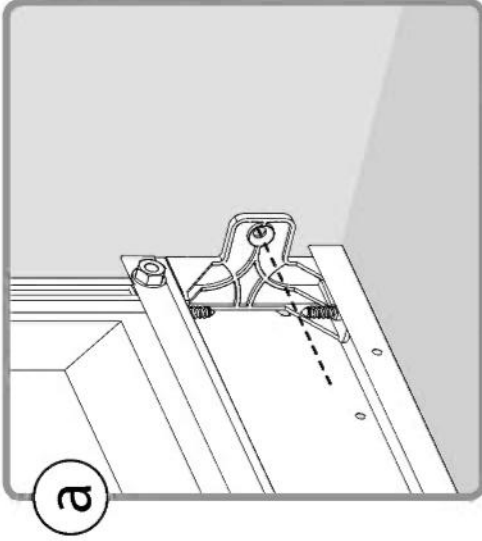
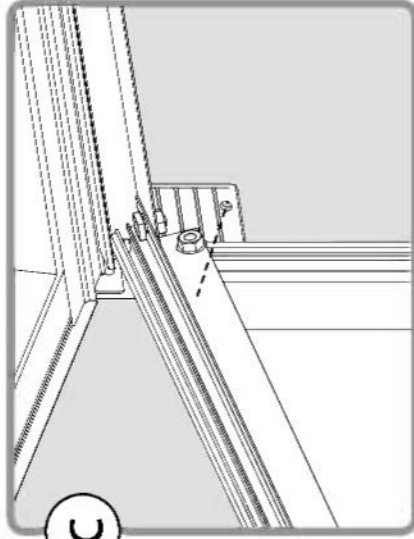
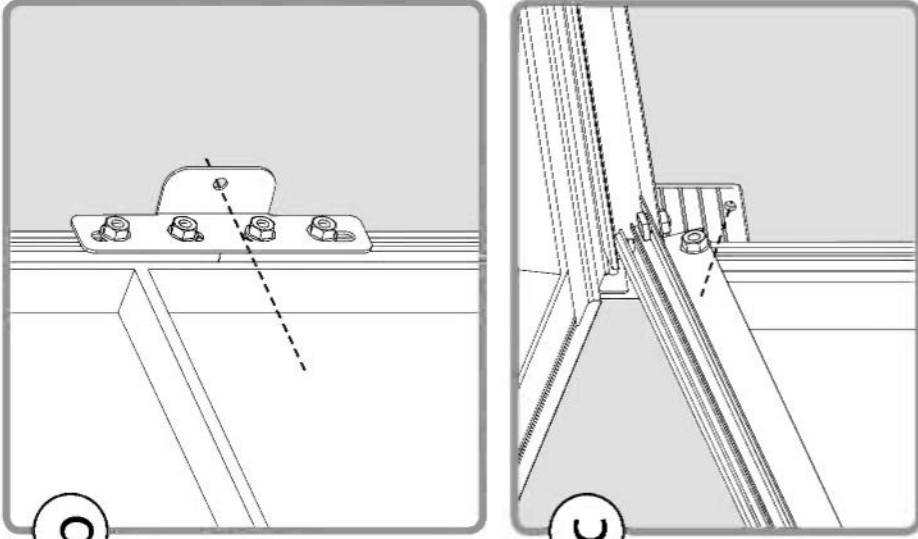


344R ..... 1

344L ..... 1

447 ..... 2





## PALRAM - CANOPIA | 5 years Limited Warranty

Product Details: Canopia Greenhouses

Palram Applications (1995) Ltd (Company number: 51206824), whose registered office is at Teradon Industrial Park, M.P. Misgav 20174, Israel ("Palram") warrants that the product will be free from defects in material or workmanship for a period of 5 years from the original date of purchase subject to the definitions, terms and conditions contained in this warranty.

### 1. Conditions

- This warranty shall be valid only if the product is installed, cleaned, handled and maintained in accordance with Palram's written recommendations (Recommended Use: Hobby Gardening).
- Without derogating from the above, damage caused by use of force, incorrect handling, inappropriate use, neglectful use or assembly or maintenance, accidents, impact from foreign objects, vandalism, pollutants, alteration, painting, connecting, gluing, sealing not in accordance with the user's manual, or damage resulting from cleaning with incompatible detergents and minor deviations of the product are not covered by this warranty.
- This warranty does not apply to damage resulting from "force majeure", which includes but is not limited to, hail, storm, tornado, hurricane, blizzard, flood, fire effects.
- This warranty is void if structural parts and components used are not compatible with Palram's written recommendations.
- This Warranty applies only to the original purchaser of the product. It does not extend to any other purchaser or user of the product (including, but not limited to, any person who acquires the product from the original purchaser).

- Any other use for any other purpose is under user's sole responsibility. Palram disclaims and assumes no liability for any use not recommended by this warranty.

### 2. Claims and Notifications

- Any warranty claim must be notified in writing to Palram within 30 days after the discovery of the defective product, enclosing the original sales receipt and this warranty. The claimant must allow Palram to inspect the product involved and the installation site: itself while the product is still in its original position and has not been removed or moved or altered in any way and/or return the product to Palram for testing.
- Palram reserves the right to investigate independently the cause of any failure.

### 3. Compensation

- If a claim under this Warranty is properly notified and approved by Palram, the purchaser, at Palram's option, may either (a) purchase a replacement product or parts; or (b) receive a refund of the original product or parts purchase price, all in accordance with the following schedule:

Period After Purchasing	Replacement Product or Parts	Refund
From date of purchase up to end of 1 <sup>st</sup> year	Free of charge	100%
End of 1 <sup>st</sup> Year up to end of 2 <sup>nd</sup> year	purchaser will pay 20% of the original purchase price	80%
End of 2 <sup>nd</sup> year up to end of 3 <sup>rd</sup> year	purchaser will pay 40% of the original purchase price	60%
End of 3 <sup>rd</sup> year up to end of 4 <sup>th</sup> year	purchaser will pay 60% of the original purchase price	40%
End of 4 <sup>th</sup> year up to end of 5 <sup>th</sup> year	purchaser will pay 80% of the original purchase price	20%

- For avoidance of any doubt, calculation for determination regarding compensation for defective parts, according to the schedule above, will be based on the contribution of the defective part to the original cost of the product. Palram reserves the right to provide substitutions if the product or any part of it is unavailable or obsolete.

- This warranty does not cover any costs and expenses of removal and installation of the product or taxes or shipping cost or any other direct or indirect loss(es) which may result from the product failure.

### 4. General Conditions and Limitations

- OTHER THAN HAS BEEN SPECIFICALLY STATED IN THIS WARRANTY, ALL OTHER WARRANTIES, WHETHER EXPRESS OR IMPLIED, INCLUDING ALL IMPLIED WARRANTIES OF MERCHANTABILITY OR FITNESS FOR A PARTICULAR PURPOSE ARE EXCLUDED SO FAR AS THE LAW PERMITS.
- EXCEPT WHERE WE HAVE SPECIFICALLY STATED IN THIS WARRANTY, PALRAM SHALL NOT BE LIABLE FOR ANY LOSSES OR DAMAGES THE PURCHASER SUFFERS DIRECTLY, INDIRECTLY, OR AS A CONSEQUENCE OF USING, OR IN ANY OTHER WAY CONNECTED TO THE PRODUCT.
- IF PALRAM IS PROHIBITED UNDER ANY APPLICABLE LAW FROM EXCLUDING THE IMPLIED WARRANTIES OF MERCHANTABILITY OR FITNESS FOR A PARTICULAR PURPOSE IN RELATION TO THE PRODUCT, THE DURATION OF ALL SUCH IMPLIED WARRANTIES IS EXPRESSLY LIMITED TO THE DURATION OF THIS WARRANTY OR, IF LONGER, THE MAXIMUM PERIOD REQUIRED BY APPLICABLE LAW.
- THE PURCHASER IS SOLELY RESPONSIBLE FOR DETERMINING WHETHER THE HANDLING, STORAGE, ASSEMBLY, INSTALLATION OR USE OF THE PRODUCT IS SAFE AND APPROPRIATE IN ANY LOCATION, FOR ANY GIVEN APPLICATION OR IN ANY GIVEN CIRCUMSTANCE. PALRAM IS NOT RESPONSIBLE FOR ANY DAMAGES OR INJURY TO THE PURCHASER, ANY OTHER PERSON OR ANY PROPERTY RESULTING FROM THE IMPROPER HANDLING, STORAGE, INSTALLATION, ASSEMBLY OR USE OF THE PRODUCT OR THE FAILURE TO FOLLOW THE WRITTEN INSTRUCTIONS REGARDING THE HANDLING, STORAGE, INSTALLATION, ASSEMBLY AND USE OF THE PRODUCT.
- UNLESS OTHERWISE EXPRESSLY INDICATED BY PALRAM, THE PRODUCT IS INTENDED FOR NORMAL RESIDENTIAL AND COMMERCIAL USE ONLY. PALRAM IS NOT RESPONSIBLE FOR ANY LOSS, DAMAGE, COST OR EXPENSE RESULTING FROM ANY USE OF THE PRODUCT FOR ANY PURPOSE THAT IS NOT RECOMMENDED BY THE WRITTEN INSTRUCTIONS OR THAT IS NOT PERMITTED BY ANY APPLICABLE LEGISLATION OR OTHER CODES IN EFFECT IN THE LOCATION WHERE THE PURCHASER WILL USE THE PRODUCT.
- PLEASE NOTE:** ANCHORING THIS PRODUCT TO THE GROUND IS ESSENTIAL TO ITS STABILITY AND RIGIDITY. IT IS REQUIRED TO COMPLETE THIS STAGE IN ORDER FOR YOUR WARRANTY TO BE VALID.

## 5 Jahre beschränkte Garantie von PALRAM - CANOPIA

Angaben zum Produkt: Canopia Gewächshäuser

Palram Applications (1995) Ltd (Firmennummer: 51206824) mit Sitz in Teradon Industrial Park, M.P. Misgav 20174, Israel ("Palram") garantiert, dass das Produkt für einen Zeitraum von 5 Jahren ab dem Kaufdatum frei von Mängeln in Material und Verarbeitung wird, und den Definitionen, Begriffen und Bedingungen die in dieser Garantie enthalten sind unterliegt.

### 1. Bedingungen

- Diese Garantie ist nur gültig, wenn das Produkt in Übereinstimmung mit den schriftlichen Empfehlungen von Palram installiert, gereinigt, behandelt und gepflegt ist (Empfohlene Verwendung: Hobby Gärtnerei).
- Ohne Abweichung von oben genannten, Schäden, die durch Anwendung von Gewalt, unsachgemäße Behandlung, unsachgemäße Verwendung, nachlässige Nutzung, Montage oder Wartung, Unfälle, Auswirkungen von Fremdkörpern, Vandalismus, Verschmutzung, Veränderung, Malejei, Verbinden, Kleben und Dichten, nicht in Übereinstimmung mit der Bedienungsanleitung, verursacht werden, oder Schäden, die bei Reinigung mit inkompatiblen Reinigungsmitteln entstehen, so wie geringfügige Abweichungen des Produkts, werden durch diese Garantie nicht abgedeckt.
- Diese Garantie gilt nicht für Schäden, die durch "höhere Gewalt" verursacht werden (beinhaltend aber nicht beschränkt auf: Hagel, Sturm, Tornado, Hurrikan, Schmelzturm, Überschwemmungen, Feuer Auswirkung).
- Diese Garantie erlischt, falls Bauteile und Komponente, die nicht mit den schriftlichen Empfehlungen von Palram kompatibel sind, verwendet werden.
- Diese Garantie gilt ausschließlich für den ursprünglichen Käufer des Produkts. Sie erweitert sich nicht auf keine anderen Käufer oder Benutzer des Produkts (einschließlich, aber nicht beschränkt auf irgendeine andere Person die das Produkt von den ursprünglichen Käufer erwirbt).
- Jede andere Verwendung, für einen anderen Zweck, liegt in der alleinigen Verantwortung des Benutzers.
- Palram lehnt jede Haftung ab, die von dieser Garantie nicht gedeckt wird, bzw. übernimmt keine Haftung dafür.

### 2. Ansprüche und Mittelungen

- Jeder Gewährleistungsanspruch muss Palram innerhalb von 30 Tagen nach Entdeckung des fehlerhaften Produkts schriftlich vorgelegt werden. Hierzu reichen Sie bitte auch den Original Kaufbeleg und diese Garantie mit ein.
- Der Antragsteller muss Palram erlauben den betroffenen Produkt und den Aufstellungsort selbst zu überprüfen, während das Produkt noch in seiner ursprünglichen Position ist und nicht entfernt oder verschoben oder in irgendeiner Weise verändert wurde, und/oder den Produkt an Palram zum Testen zu senden.
- Palram behält sich das Recht vor, die Fehlerursachen unabhängig zu untersuchen.

### 3. Entschädigung

- Ist ein Anspruch gemäß dieser Garantie ordnungsgemäß angemeldet und bei Palram genehmigt worden, kann der Käufer, nach eigenem Ermessen von Palram, entweder (a) ein Ersatzprodukt oder Teile erwerben oder (b) eine Erstattung des ursprünglichen Produkt oder Teile Kaufpreises erhalten, alles in Übereinstimmung mit dem folgendem Schema:

Zeitraum nach Erwerbung	Ersatzprodukt bzw. Ersatzteile	Rückerstattung
Ab Kaufdatum bis zum Ende des 1. Jahr	Kostenlos	100%
Ende des 1. Jahr bis zum Ende des 2. Jahr	Käufer zahlt 20% des ursprünglichen Kaufpreises	80%
Ende des 2. Jahr bis zum Ende des 3. Jahr	Käufer zahlt 40% des ursprünglichen Kaufpreises	60%
Ende des 3. Jahr bis zum Ende des 4. Jahr	Käufer zahlt 60% des ursprünglichen Kaufpreises	40%
Ende des 4. Jahr bis zum Ende des 5. Jahr	Käufer zahlt 80% des ursprünglichen Kaufpreises	20%

- Um jegliche Zweifel auszuschließen, wird sich die Berechnung für die Bestimmung über Entschädigungen für defekte Teile, entsprechend der obigen Schema, auf dem Betrag des defekten Teils an den ursprünglichen Kosten des Produktes beruhen. Palram behält sich das Recht vor für ein Ersatz zu sorgen, falls der Produkt oder ein Teil davon nicht verfügbar oder veraltet ist.

- Diese Garantie erstreckt sich nicht auf Kosten und Ausgaben für Aus- und Einbau des Produkts oder Steuern oder Steuern oder sonstigen direkten oder indirekten Verluste die sich von einem Produktfehler ergeben können.

### 4. Allgemeine Bedingungen und Einschränkungen

- ANDERS ALS BESONDERS IN DIESER GARANTIE ANGEZEIGT, ALLE ANDEREN GARANTIEEN, OB AUSDRÜCKLICH ODER IMPLIZIT, EINSCHLIESSLICH ALLER ENGESCHLOSSENEN GARANTIELEISTUNGEN DER MARKTGÄNGIGKEIT ODER EIGNUNG FÜR EINEN BESTIMMTEN ZWECK SIND SO WEIT DIES RECHTLICH MÖGLICH IST AUSGESCHLOSSEN.
- AUSSER ALS AUSDRÜCKLICH IN DIESER GARANTIE ANGEZEIGT, HÄTTET PALRAM NICHT FÜR IRGENDWELCHE VERLUSTE ODER SCHÄDEN DIE DER KÄUFER, DIREKT ODER INDIREKT ODER ALS FOLGE DER NUTZUNG ODER IN IRGENDWELCHEN ANDEREN MIT DEM PRODUKT VERBUNDENEN WEIBE LEIDET.
- FALLS PALRAM EIN AUSSCHLUSS DER STILLSCHWENGENDE GARANTIE DER WARTGÄNGIGKEIT ODER EIGNUNG FÜR EINEN BESTIMMTEN ZWECK IN BEZUG AUF DAS PRODUKT NACH GELTENDEM RECHT NICHT GESTATET IST, WIRD DIE DAUER ALLER SOLCHEN GARANTIEEN AUSDRÜCKLICH AUF DIE DAUER DIESER GARANTIE BESCHRÄNKT, ODER FALLS LÄNGER, AUF DIE GESETZLICH VORGESCHRIEBENE HÖCHSTDAUER.
- DER KÄUFER IST ALLEIN DAFÜR VERANTWORTLICH FÜR DIE HANDHABUNG, LAGERUNG, MONTAGE, INSTALLATION ODER VERWENDUNG DES PRODUKTS AN BELIEBIGEN STANDORT UND FÜR JEDE GEEBENE ANWENDUNG ODER SITUATION, SICHER UND ANGENESSEN IST. PALRAM IST NICHT VERANTWORTLICH FÜR SCHÄDEN ODER VERLETZUNGEN DES KÄUFERS, ANDERER PERSONEN ODER DES EIGENTUMS, DIE IN FOLGE EINER UNSACHGEMASSEN HANDHABUNG, LAGERUNG, EINBAU, MONTAGE ODER NUTZUNG DES PRODUKTS ODER DURCH NICHTBEACHTUNG DER ANWEISUNGEN ZUR HANDHABUNG, LAGERUNG, EINBAU, MONTAGE UND NUTZUNG DES PRODUKTS ENTSTANDEN SIND.
- DIE WARE IST BESTIMMT AUSSCHLIESSLICH ZUR NORMALEN PERSÖNLICHEN UND KOMMERZIELLEN NUTZUNG, SOFERN NICHT AUSDRÜCKLICH ETWAS ANDERES DURCH PALRAM VEREINBART WURDE. PALRAM HÄTTET NICHT FÜR VERLUSTE, SCHÄDEN, KOSTEN ODER AUSGABEN, DIE AUS EINER NICHT VON DEN ANWEISUNGEN EMPFOHLENE VERWENDUNG DES PRODUKTS ZU IRGENDWELCHEM ZWECK ENTSTEHEN ODER DIE VON KEINEM GELTENDEN RECHTSVORSCHRIFTEN ODER ANDEREN CODES ERLAUBT SIND DIE AN DEM ORT WO DER KÄUFER DEN PRODUKT BENUTZEN WIRD IN KRAFT SIND.
- DIE VERANKERUNG DIESER GARANTIE IM UNTERGRUND IST WESENTLICH FÜR SEINE STABILITÄT UND FESTIGKEIT. SIE IST UNWÄRSCHLICH, UMN DIESEN ARBEITSSCHRITT ZU BEENDEN, DAMIT IHRE GARANTIE GÜLTIG BLEIBT.