

Overlap Apex Shed

7' x 7'

IMPORTANT, RETAIN FOR FUTURE REFERENCE; READ CAREFULLY

Check all parts prior to assembly

This building is pressure treated to ensure longevity of all timber components and to protect against rot. This may leave a colour difference on some parts that will even out as the moisture content stabilises. This will not need additional treatment.

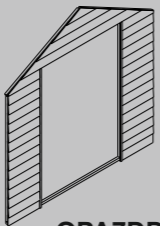
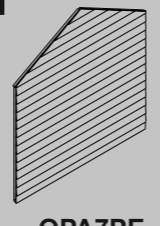
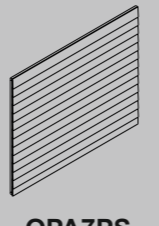
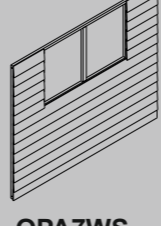
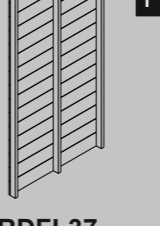
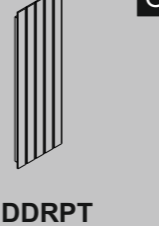
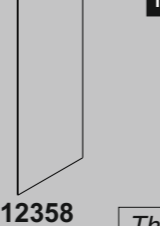
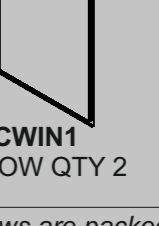



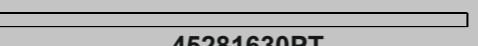
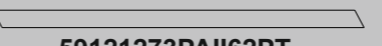
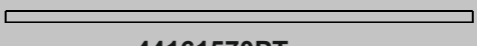


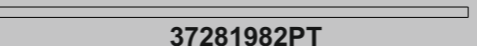
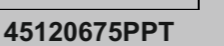
- This product must be built on a solid level base.
- The roof of this building is not a load bearing structure.
- Please keep all plastic bags and small parts away from children
- Timber is a natural material. It will shrink and swell as a result of varying moisture content.
- Due to the nature of the material the doors may need some trimming for a neater fit.

Technical Helpline: **0333 7777 089** 8.30 am and 5.00 pm Monday to Friday.

In line with your statutory rights, please check all parts prior to assembly, as assembly of damaged parts may be deemed to be acceptance and this may affect the remedies you are entitled to.

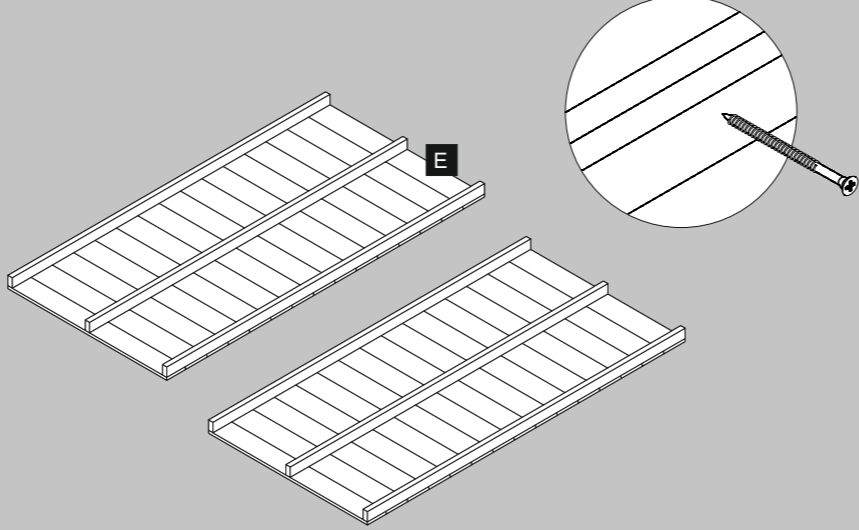
If the product is not constructed in accordance with the instructions, or is altered in any way (e.g. painted), the manufacturer cannot be held liable for any resulting damage.

OPA77DD PARTS LIST

A  OPA7DDE DOOR END	B  OPA7PE PLAIN END	C  OPA7PS PLAIN PANEL	D  OPA7WS WINDOW PANEL	E  BRDFL37 FLOOR QTY 2	F  DDRPT DOOR QTY 2	G  207012358 ROOF SHEET QTY 2	H  PCWIN1 WINDOW QTY 2	I  FIN20010512PTR FINIAL QTY 1	 FELT QTY 1	 FELT4BLROSE
J  45281630PT 1630mm BATTEN QTY 1			K  59121273PAII62PT 1273mm BARGE BOARD QTY 4		L  44161570PT 1570mm C/STRIP QTY 4		M  37282070PT 2070mm BATTEN QTY 2			
N  84996 PLASTIC L' STRIP QTY 4		O  37281982PT 1982mm BATTEN QTY 4			P  45120675PPT 675mm STRIP QTY 1					

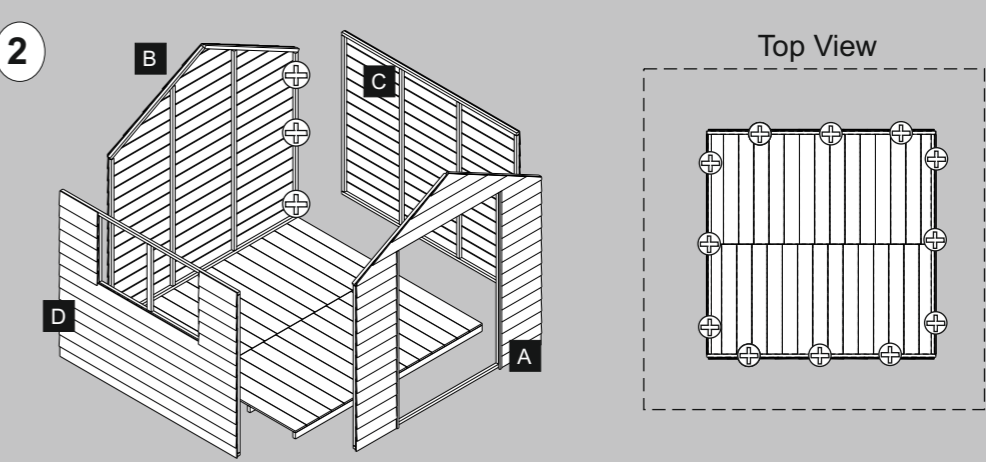
The windows are packed together tightly, separate before assembly.

1



Fix the two floor sections together using 3 x 50mm screws.

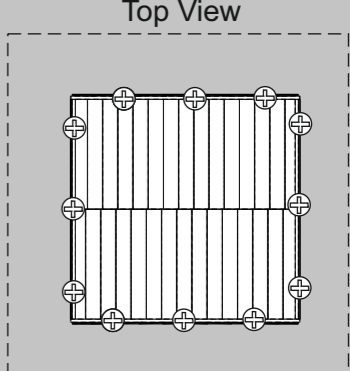
2



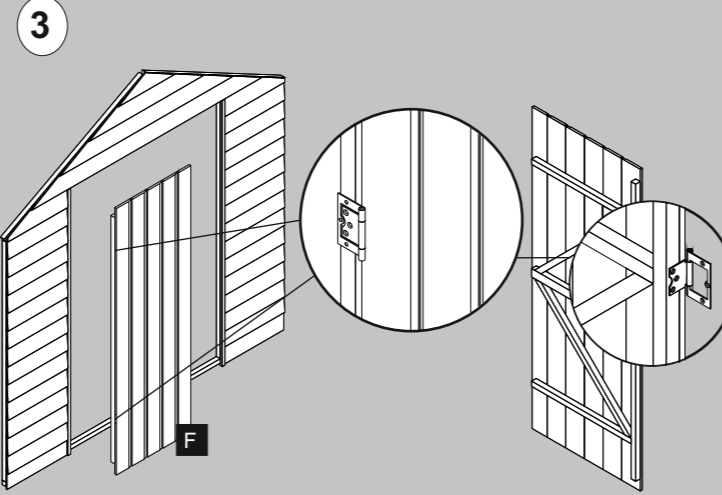
Place the panels on top of the floor. Make sure that all the panels are tight and flush before fixing them to each other using 3x50mm screws.

Make sure that the panels are tight and are sitting flush before fixing each panel to the floor using 3 x 50mm screws making sure that all of the screws are locating into the bearers underneath.

Top View

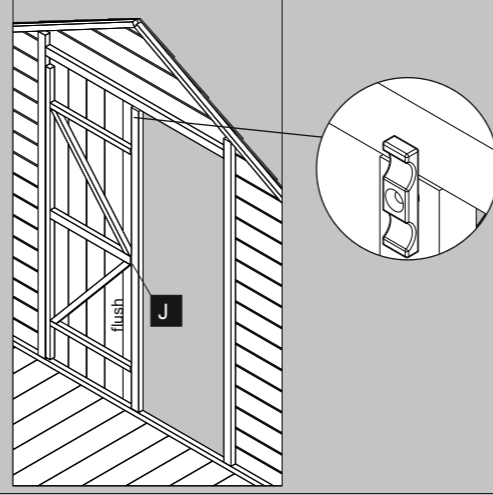


3



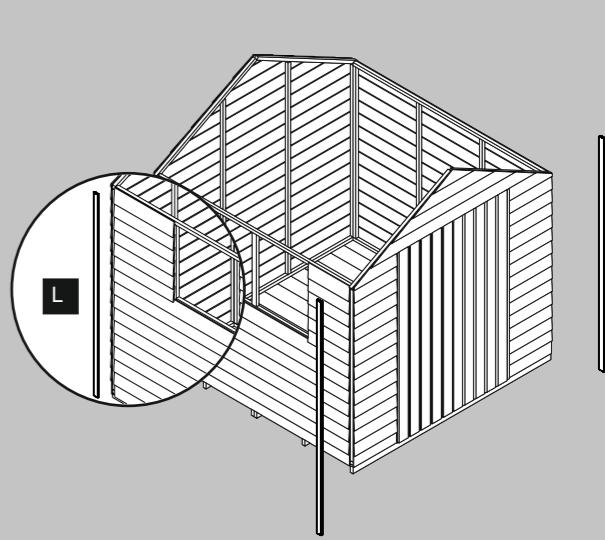
Place the hinges against the batten on the side of the door in line with the battens on the back. Fix the inner/smaller part of the hinge to the door using 25mm screws.

4



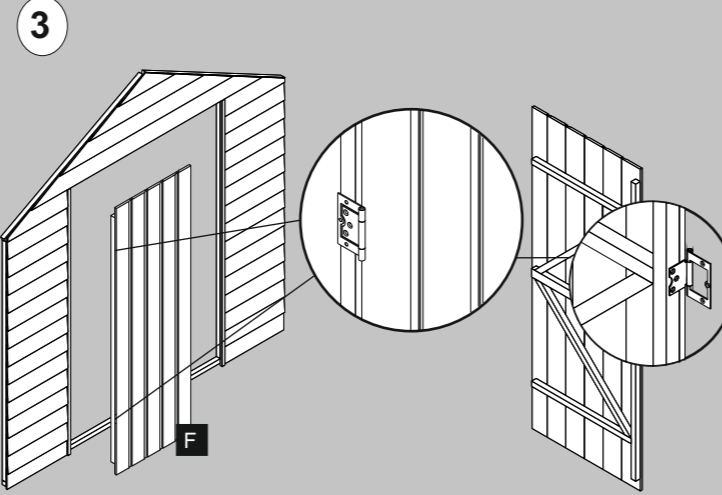
Place the 1630mm batten against the inside of the door so that it is tight against the battens on the reverse of the door and leaves a small gap at the top and bottom. Fix the batten in place with 3 x 60mm screws.

5



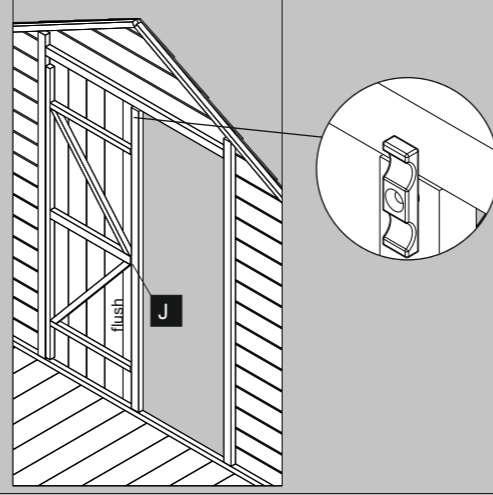
Place the corner strips so that they cover the joints between the panels. Fix each in place using 3 x 30mm screws.

3



Place the Door into the Door End ensuring that the door is square and fix the outer part of each hinge to the framing of the door end using 25mm screws.

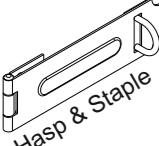
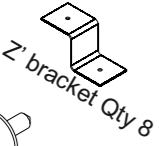

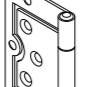


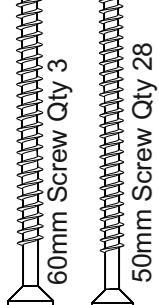
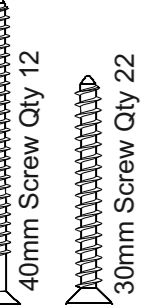


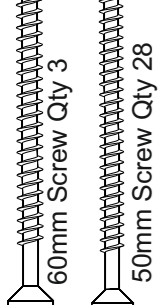
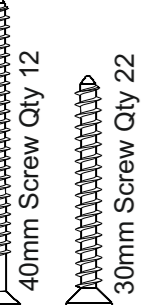

4










Fix a turn button to the top and bottom of the batten so that the door will be held closed when fixed. Use a 30mm screw for each turn button.

Fixing Pack (OPA77DDFP) Not to Scale


This fixing pack is used for several products. There may be additional fixings.


REQUIRED TOOLS: (NOT SUPPLIED)

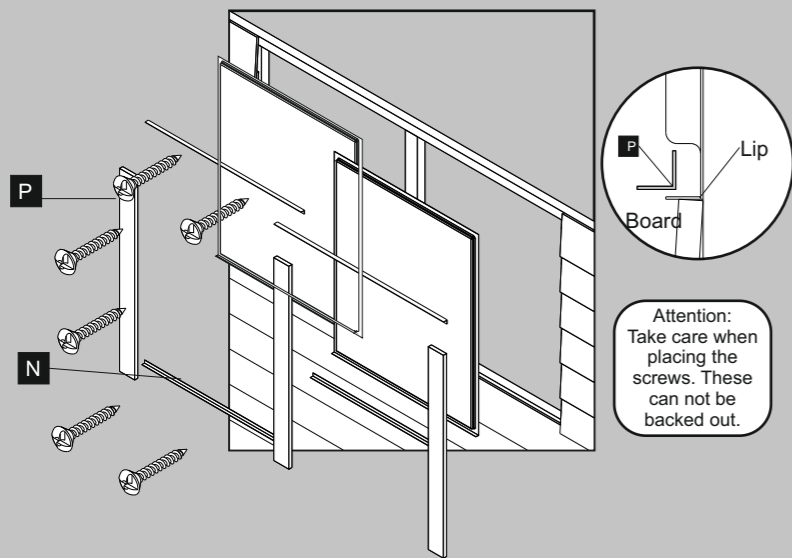
Important :
Assembly of this shed requires a minimum of two adults.



Must Pre-drill for each screw used.



6

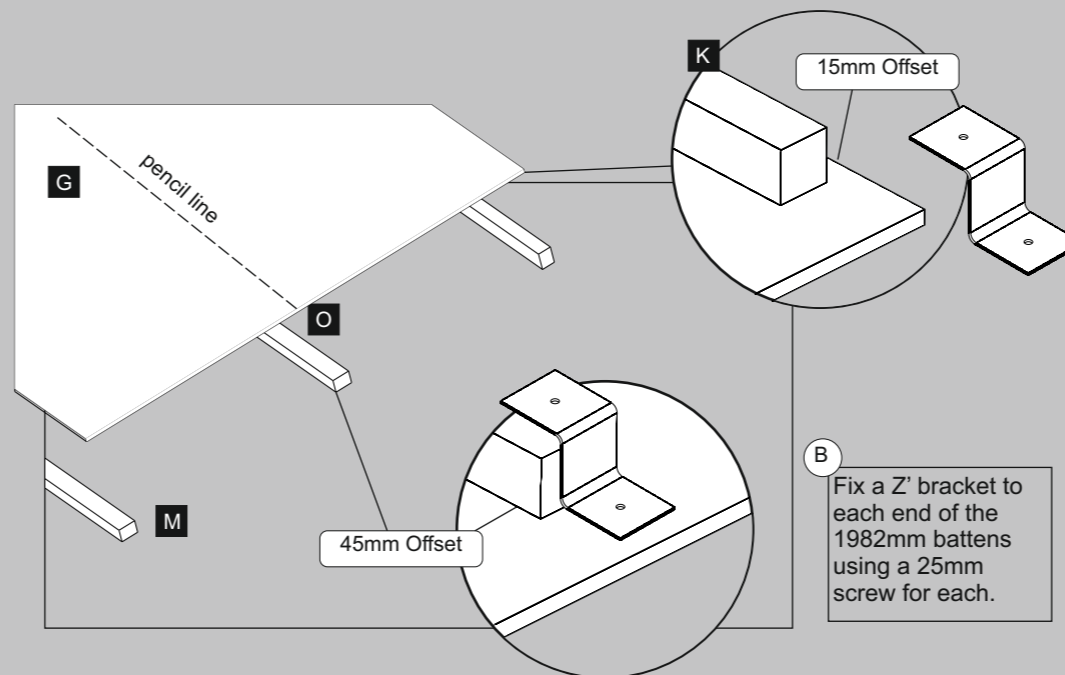


Place the window from the outside so that the lip sits on the bottom board as shown.

Place the plastic strips at the top and bottom of the window so that one side butts up against the cladding. Fix each strip in place using 2 x security screws.

Place one 675mm wooden strip in the middle, so that it overlaps the window equally on both sides. Place the remaining strips either side of the windows. Again fix each wooden strip in place using 2 x 25mm security screws.

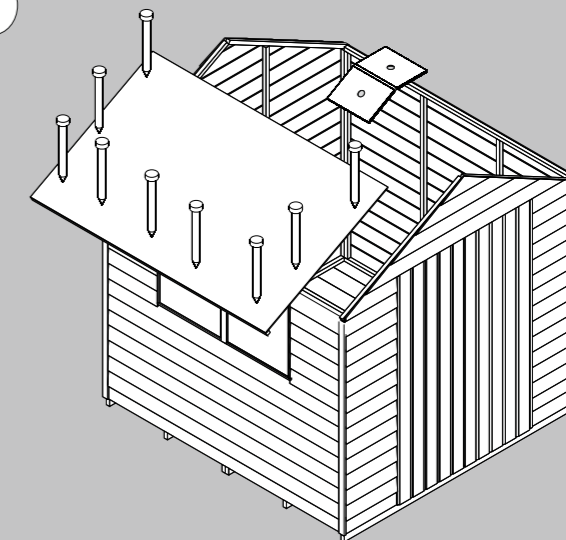
7



Nailing through the roof sheet (G) in to the battens. Position the battens as shown.

1. The 2070mm batten (M) should be flush on all sides.
2. Place a 1982mm batten (O) so that it is offset 45mm on either side and has a 15mm offset on the long side.
3. Place another 1982mm batten (O) in between, again with a 45mm offset on both sides. Fix each batten in place using 30mm nails spaced in 300mm intervals.

8

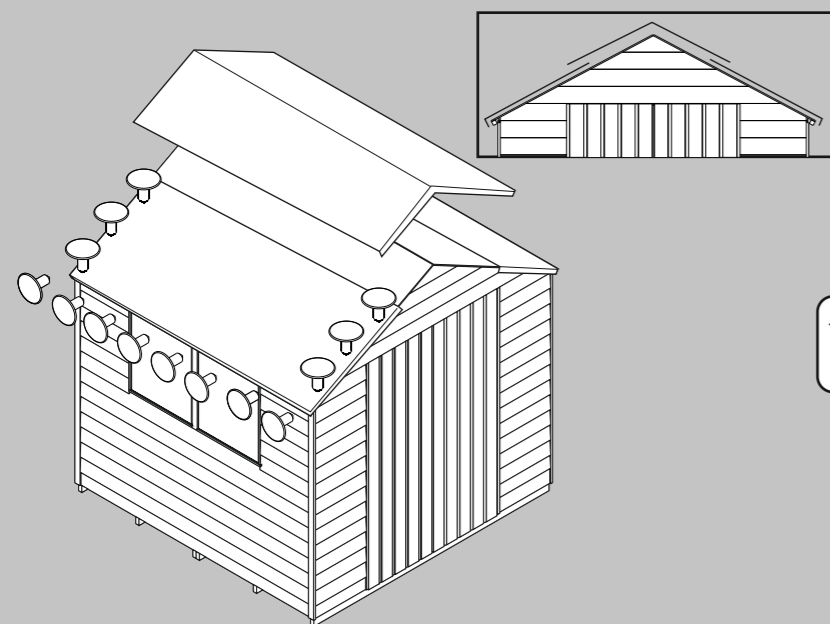


Lift the roof sections into place making sure that they are in line with the apex and the front and back panels of the shed.

Fix the roof in place using 30mm nails spaced in approximately 300mm intervals. (Make sure the nails locate into the framework of the panels)

Fix the ridge plate from inside the shed so that it bridges the two battens at the apex together. Fix using 2 x 25mm screws

9

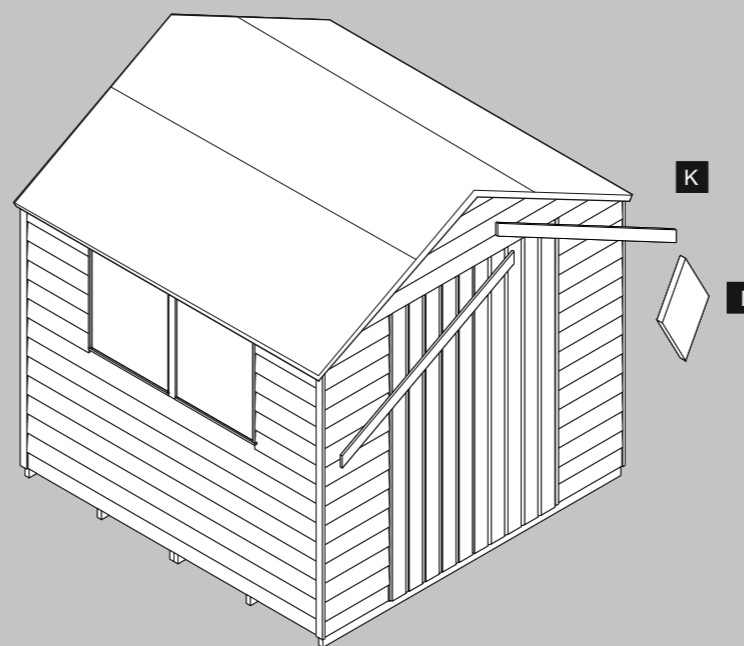


Unroll the felt and cut it into three equal lengths. Place a section on each eaves so that there is a 50mm overhang on each edge as shown. Fix this to the roof using felt nails spaced in 150mm intervals. Cut and fold the corners securing with a single felt nail for each.

Place the remaining section as shown making sure that it overlaps the others. Again secure each sheet in place using felt nails spaced in 150mm intervals.

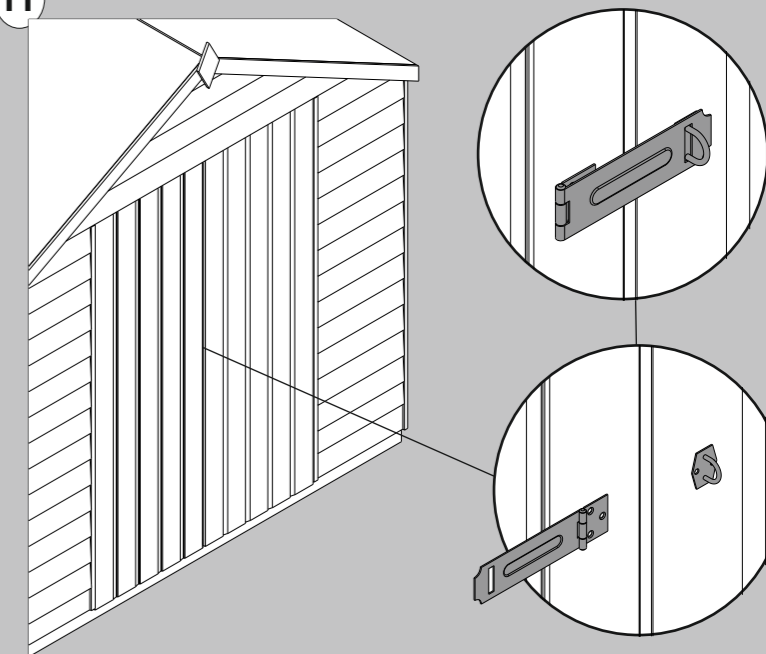
10

Attention
Take care when cutting and trimming the roof felt.



Place the barge boards against the front and back of the shed. Make sure that these are in line with the roof sheet and meet at the apex. Fix each in place using 3 x 40mm screws. Place the finial over the top of where the barge boards meet to cover the join and fix it in place using 2 x 30mm screws.

11



Before fixing the Hasp to the door, make sure that it is in line with the framing on the reverse of the door and that it closes over the Staple. Fix this in place using 2 x 25mm screws.

Position the Staple opposite, again making sure that it is in line with the framing behind and fix it in place using 3 x 25mm screws.

Biocidal Product Regulation (EU 528/2012) Article 58 Information

This article contains timber treated with Celcure AC-500, incorporating biocidal products to give protection against wood destroying insects & wood rotting fungi.

Contains: Basic copper carbonate (Copper (II) carbonate – Copper (II) hydroxide (1:1)), Boric acid, Benzalkonium chloride.

Wear gloves when handling freshly treated wood. Avoid breathing dust when cutting treated or untreated wood. Dispose of off-cuts responsibly – do not burn.

Maintenance.

Regularly check that all fixings are secure.

The roofing felt has no holes or tears.

There are no splits in the wood and any large splinters removed.