

Overlap Pent Shed

10' x 6'

IMPORTANT, RETAIN FOR FUTURE REFERENCE; READ CAREFULLY

This building is pressure treated to ensure longevity of all timber components and to protect against rot. This may leave a colour difference on some parts that will even out as the moisture content stabilises. This will not need additional treatment.

- This product must be built on a **solid level** base.
- Please keep all plastic bags and small parts away from children.
- The roof of this building is not a load bearing structure.
- Timber is a natural material. It will shrink and swell as a result of varying moisture content.
- Due to the nature of the material the doors may need some trimming for a neater fit.

Technical Helpline: **0333 7777 089** 8.30 am and 5.00 pm Monday to Friday.

Please check all parts prior to assembly

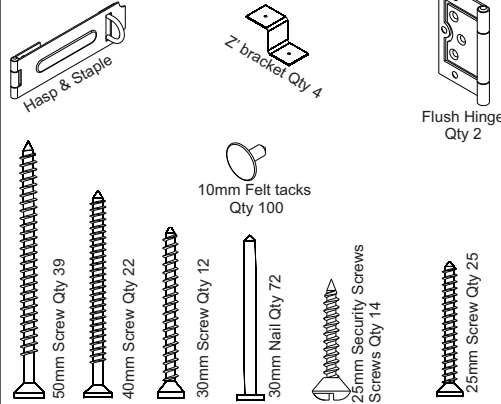
Assembly of damaged parts may be deemed to be acceptance and this may affect the remedies you are entitled to.

If the product is not constructed in accordance with the instructions, or is altered in any way (e.g. painted), the manufacturer cannot be held liable for any resulting damage.

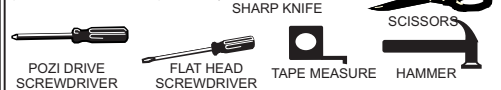
Fixing Pack (OPP106FP)

This fixing pack is used for several products. There may be additional fixings.

Not to Scale



REQUIRED TOOLS : (NOT SUPPLIED)



Important :
Assembly of this shed requires a minimum of two adults.

Must Pre-drill for each screw used.

OPP106 PARTS LIST

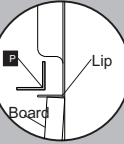
A	B	C	D	E	F	G	H	I	J
OPP8FR FRONT PANEL	OPP8BK BACK PANEL	OPP6LHS LEFT SIDE	OPP6RHS RIGHT SIDE	OPP106BK SMALL BACK PANEL	OPP106FR SMALL FRONT PANEL	BRDFL56 FLOOR QTY 2	SDRPT DOOR	190010288 ROOF SHEET QTY 3	PCWIN1 WINDOW QTY 2
K	L	M	N	O	P	Q			
44161717PT 1717mm CORNER STRIP QTY 3	59121900PPT 1900mm BARGE BOARD QTY 2	59121554PPT 1554mm BARGE BOARD QTY 2	44161945PT 1945mm CORNER STRIP QTY 3	45281707PT 1707mm BATTEN QTY 2	84996 675mm PLASTIC STRIP QTY 5	58120660PPT 660mm STRIP QTY 2			85052 ROOF FELT QTY 3

The windows are packed together tightly, separate before assembly.

1 Fix both of the floors together using 3x50mm screws, screwing through the floor bearers as shown. Take care when turning the floor over

2 Place the panels on top of the floor. Make sure that all the panels are tight and flush before fixing them to each other using 3x50mm screws. Before fixing each panel to the floor make sure that the panels are sitting flush and fix them in place using 50mm screws, positioning each screw so that it locates into the bearers underneath. 4x50mm screws for the front and back panels. 3x50mm screws for the side panels.

3 Place the window from the outside so that the lip sits on the bottom board as shown. Place the plastic strips at the top and bottom of the window so that one side butts up against the cladding. Fix each strip in place using 2 x security screws. Position the remaining strip vertically against the outer edge of the window so that one side of the strip butts up against the cladding. Place one 660mm wooden strip in the middle so that it overlaps the window equally on both sides and the remaining strip on the door side of the window. Again fix each wooden strip in place using 2 x security screws.

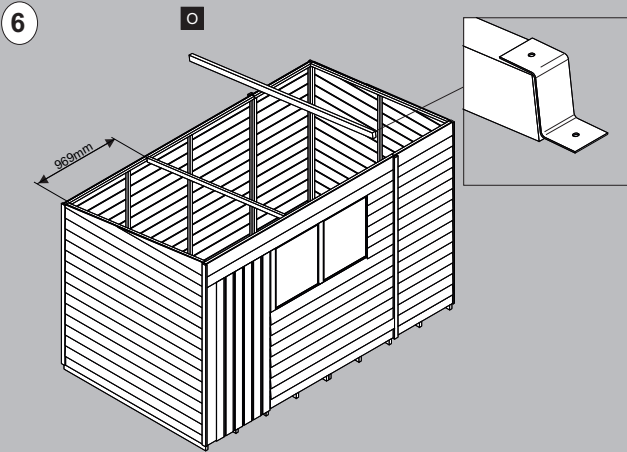


Attention: Take care when placing the screws. These can not be backed out.

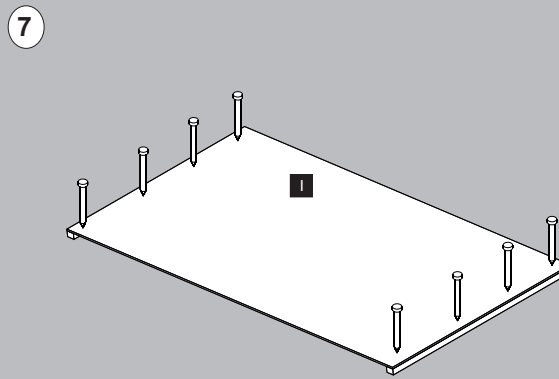
You may need to cut the plastic strips to size using a pair of scissors

4 Place the hinge against the inside of the door frame and position the large section of the hinge so that it is flush with the inside of the framing as shown. Fix with 25mm screws. Open the hinge and fix the smaller section to the door framing. Again make sure that the hinge is flush and that the holes are positioned so that the 25mm screws locate correctly into the batten.

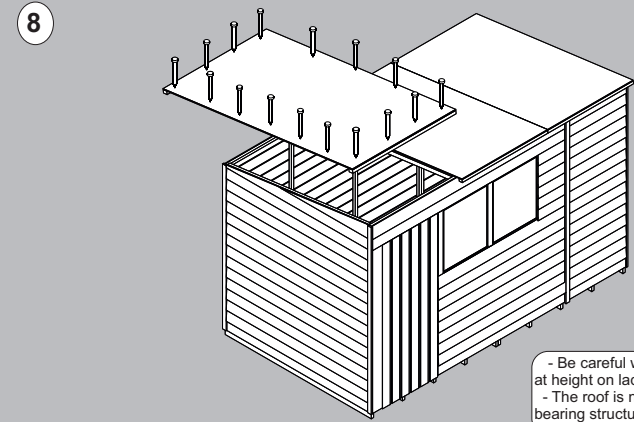
5 Place the strips so that they cover the joints between the panels. Use 3x30mm screws to secure each of the strips at the corners and 3x40mm screws for the two strips on the front and back.



Fix a Z' bracket to each end of the 1707mm battens using a 25mm screw for each. Turn the battens over and position them on the shed so that they are spaced 969mm from the inside of the end panels, as shown, and bridges the front and back panels together. Fix the Z' brackets to the panels using 25mm screws.



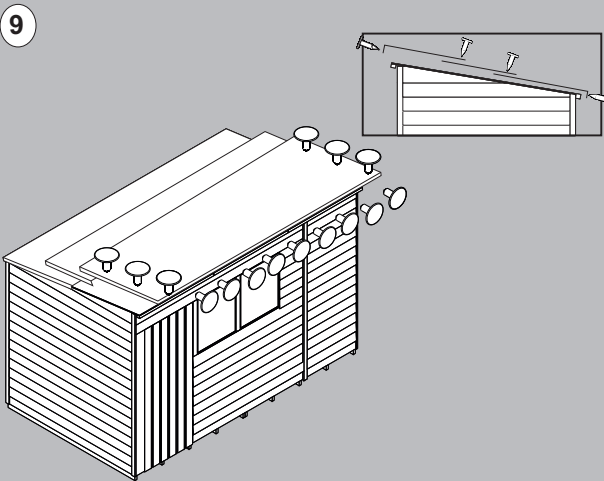
Place one of the roof sheets over the top of a 1028mm batten so that the 28mm side is touching the board and the 37mm side is flush with the edge. Secure the batten in place by hammering through the board into batten underneath using 30mm nails spaced in 300mm intervals. Repeat for the other end.



- Be careful when working at height on ladders.
- The roof is not a load bearing structure.

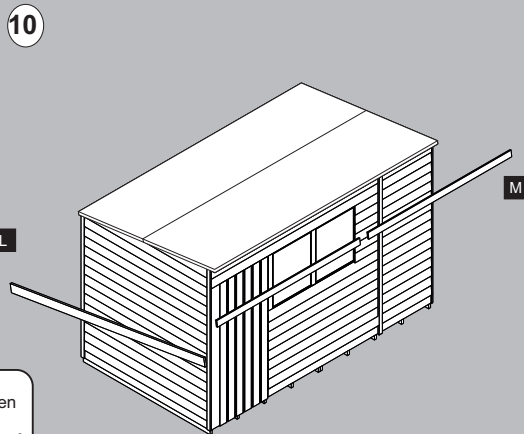
Lift each of the roof sections onto the top of the shed so that the fixed battens overhang at the front and back. The two end sections should be in line with the ends of the shed and overlap the supporting batten by 14mm.

Fix each roof section in place by hammering the 30mm nails in 300mm intervals into the framing of the panels underneath. Use 3 x 30mm nails to fasten the long edges to the supporting roof battens.



Unroll the roof felt and place the first sheet on top of the roof at the back of the shed making sure that there is equal overhang at the sides and approximately 50mm at the back. Fix the felt in place using the felt tacks spaced in 150mm intervals. Fold and tack the corners.

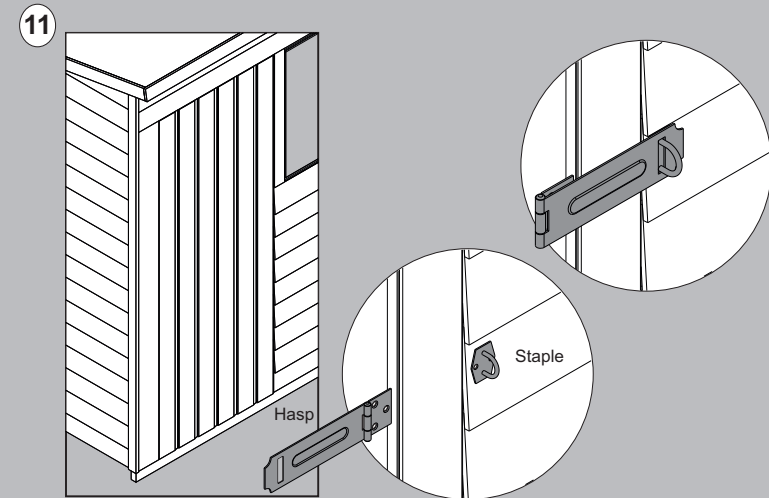
Overlap the remaining sheets as shown leaving 50mm overhanging at the front to fix the felt to the batten..



Attention
Take care when cutting and trimming the roof felt.

Place the 1900mm barge boards against the sides of the shed and the 1554mm barge boards against the front so that they are all in line with the top of the roof. Fix each in place using 4 x 40mm screws.

Trim off any excess roofing felt that may be protruding below the barge boards.



Position the staple on the door end and in line with the centre batten on the reverse of the door. Making sure that the staple is in line with the framing behind fix it in place using 2 x 25mm screws.

Before fixing the Hasp to the door, make sure that it is in line with the framing on the reverse of the door and that it closes over the Staple. Fix this in place using 3 x 25mm screws.

Biocidal Product Regulation (EU 528/2012) Article 58 Information

This article contains timber treated with Celcure AC-500, incorporating biocidal products to give protection against wood destroying insects & wood rotting fungi.

Contents: Basic copper carbonate (Copper (II) carbonate – Copper (II) hydroxide (1:1)), Boric acid, Benzalkonium chloride.

Wear gloves when handling freshly treated wood. Avoid breathing dust when cutting treated or untreated wood. Dispose of off-cuts responsibly – do not burn.

Maintenance.

Regularly check all fixings are secure and the roofing felt has no holes or tears.

Sand off any rough/sharp edges.