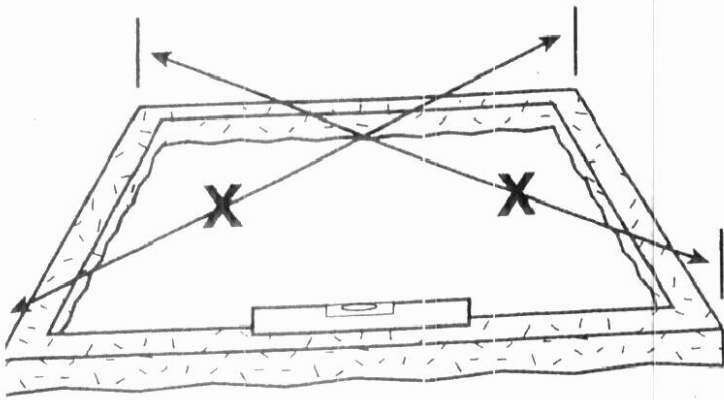
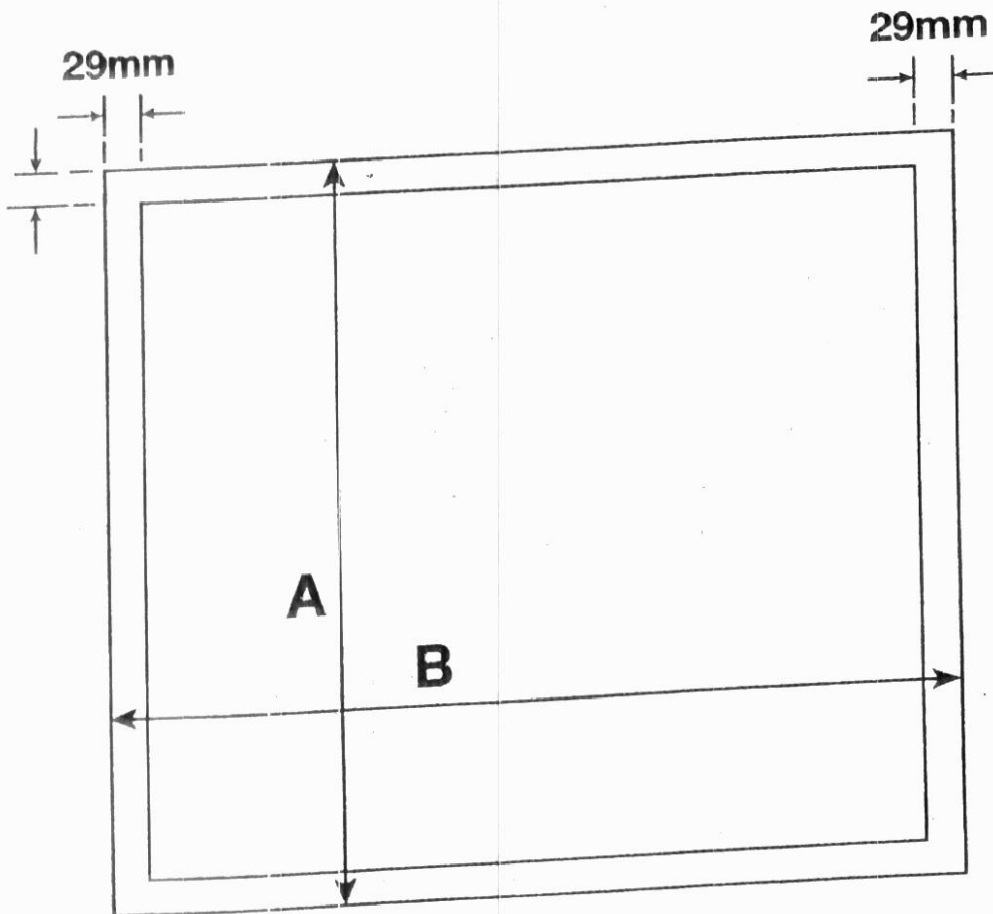
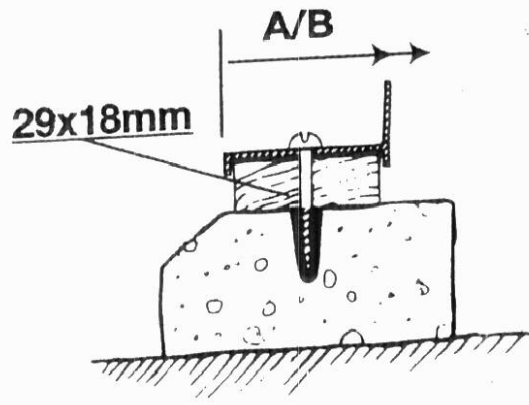


**A****X = X**

	88	108	128	148
<b>A</b>	2560mm	2560mm	2560mm	2560mm
<b>B</b>	2560mm	3182mm	3804mm	4426mm