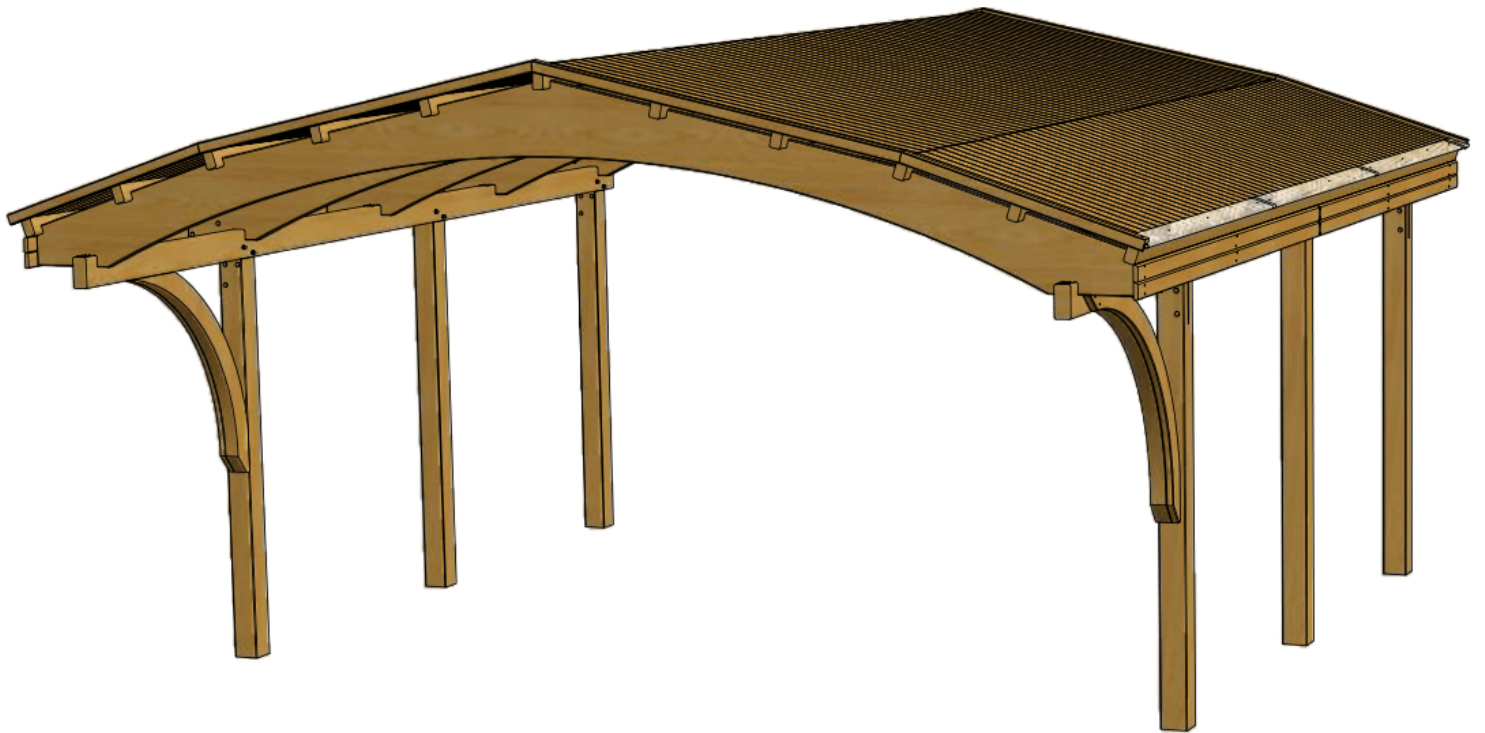


Nevada double carport



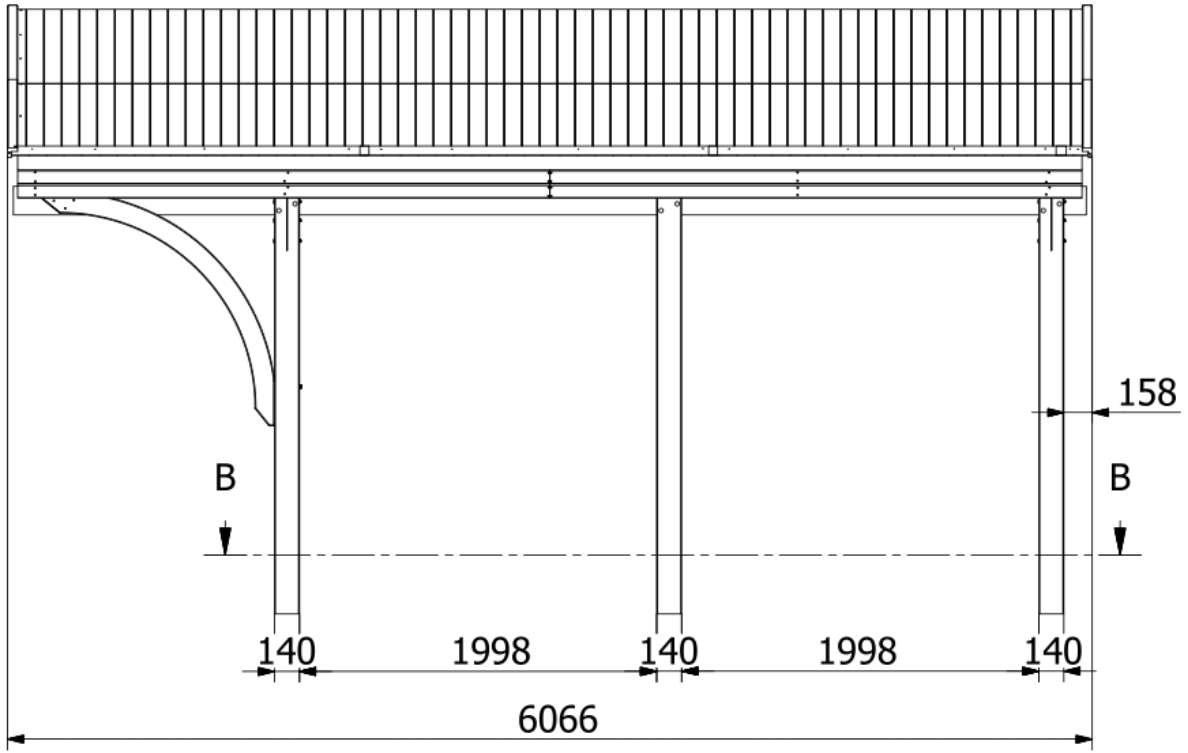
NEVADA II

L = 604 cm

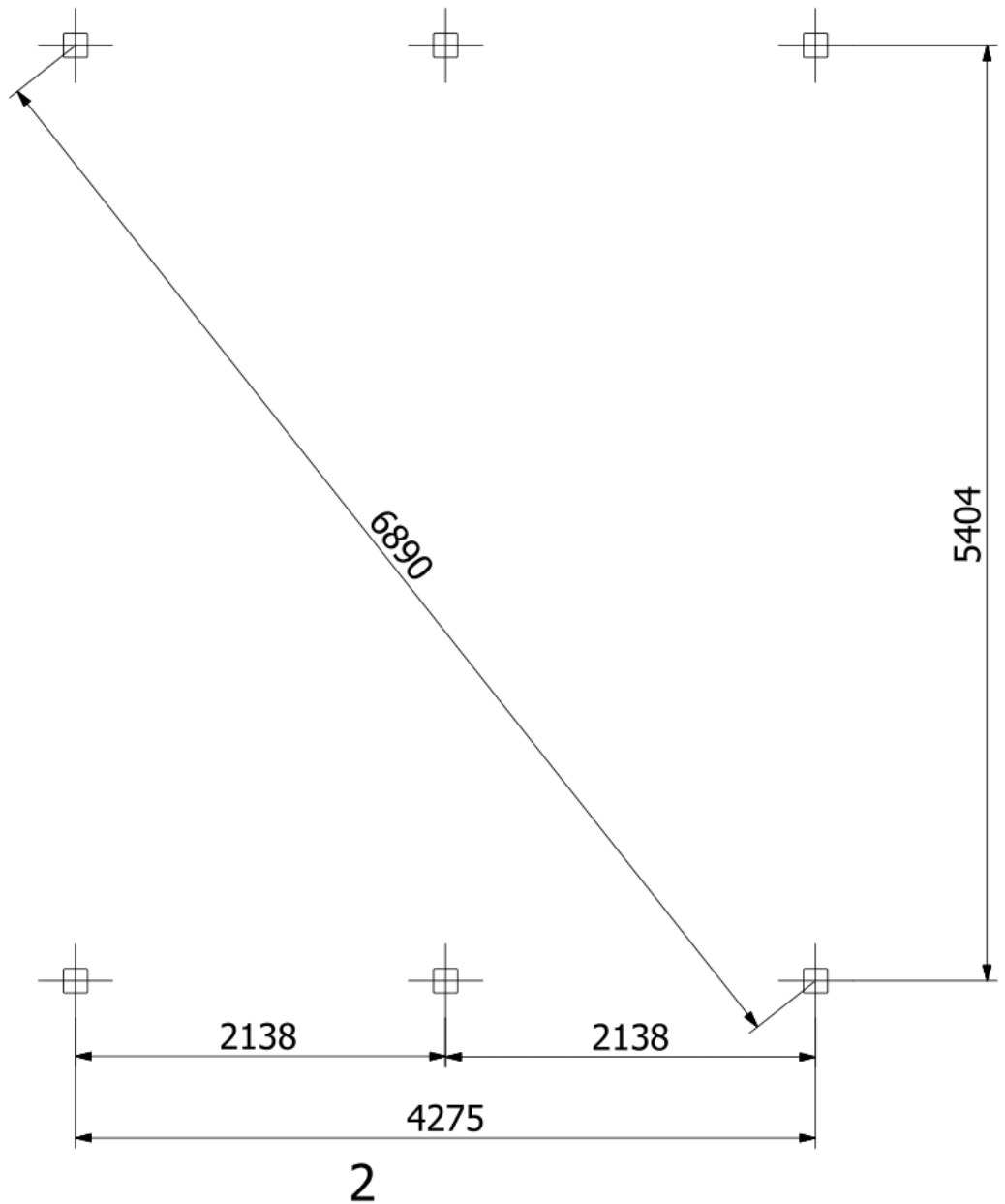
W = 615 cm

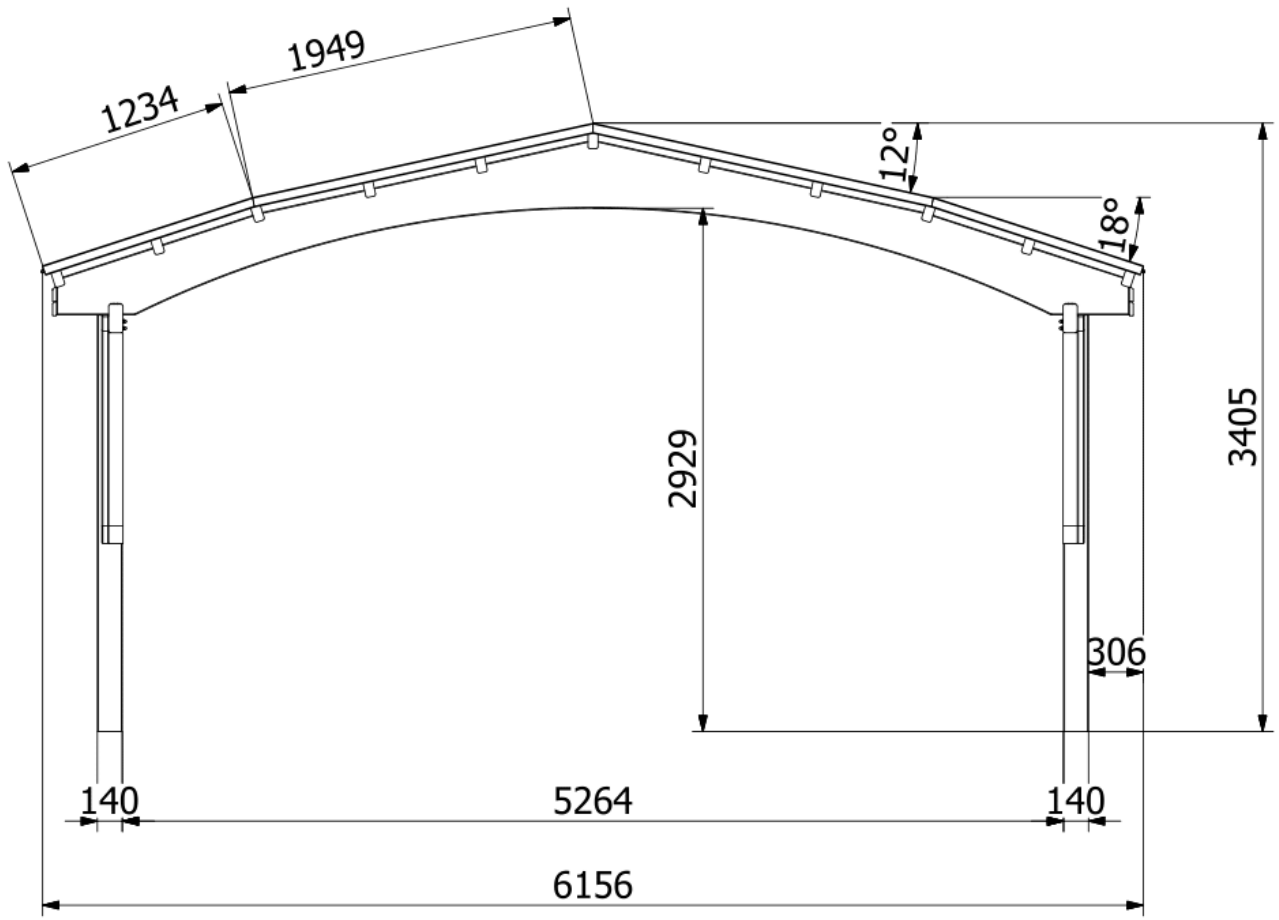
H = 341cm

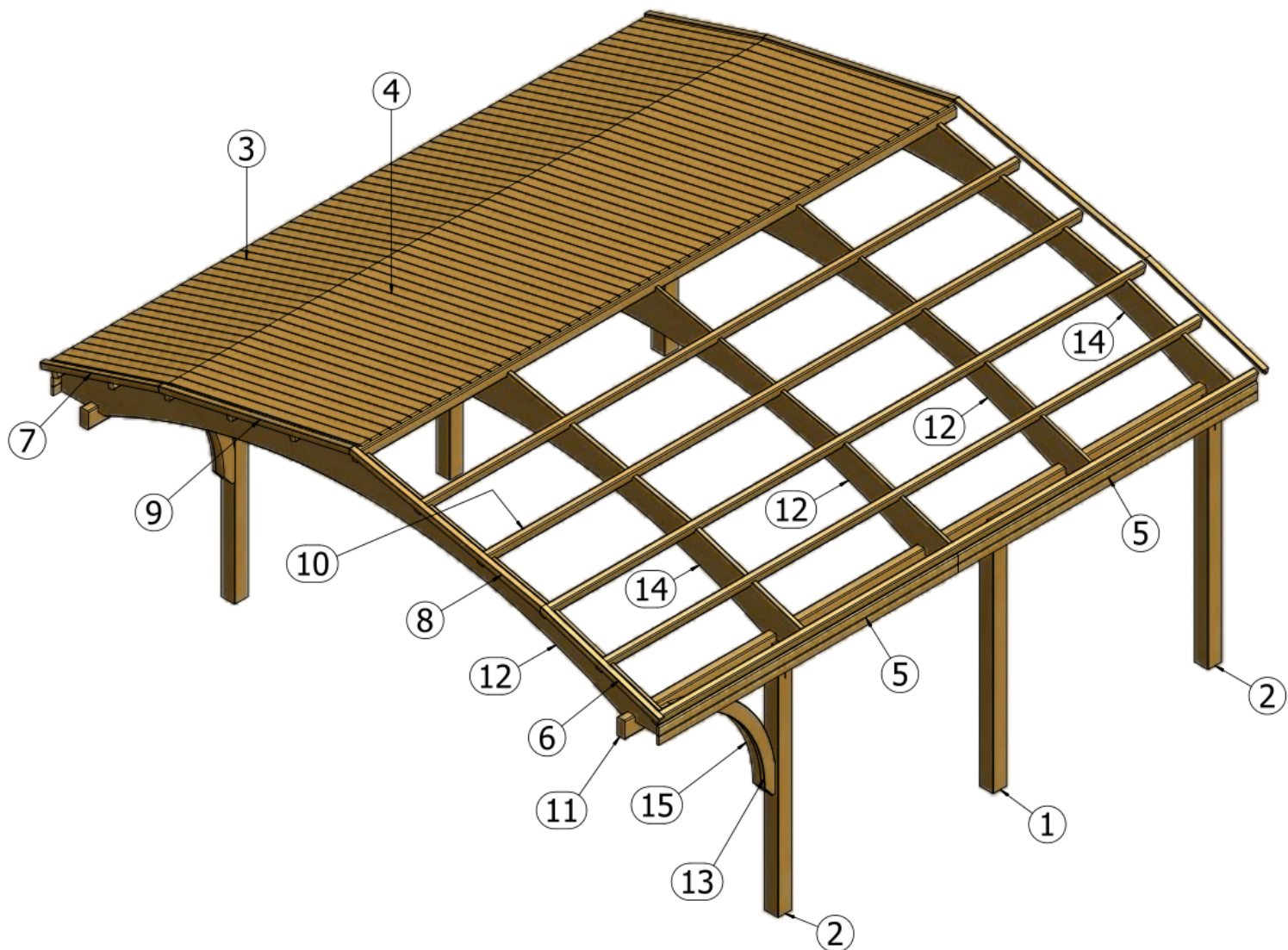
 **Jagram**



B-B (1 : 60)



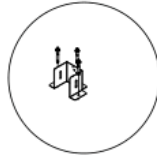
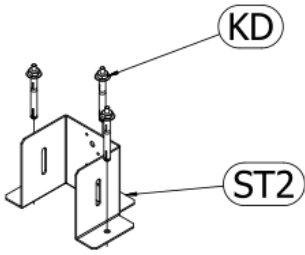




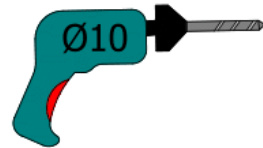
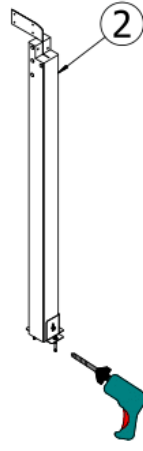
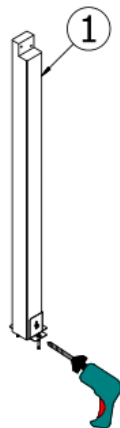
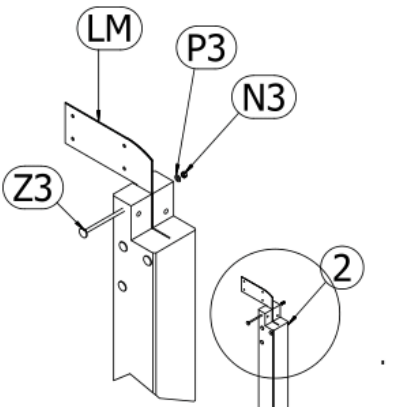
A list of parts

ELEMENT	QUANTITY	Part no
1	2	beam 140x140x2330a
2	4	beam 140x140x2330b
3	122/154	beam 22x114x1230 / beam 22x94x1230
4	122/154	beam 22x114x1940 / beam 22x94x1940
5	8	beam 22x80x2976
6	2	beam 56x56x1234 a*
7	2	beam 56x56x1234 b*
8	2	beam 56x56x1949 a*
9	2	beam 56x56x1949 b*
10	11	beam 56x95x5952
11	2	beam 80x160x6000
12	3	arch 36x380x6000Rw5800
13	2	arch 38x120x1838Rw1090
14	2	arch 44x380x6000Rw5800
15	2	arch 80x120x1583Rw1090
	46,2 m ²	the quantity of felt needed to cover the roof

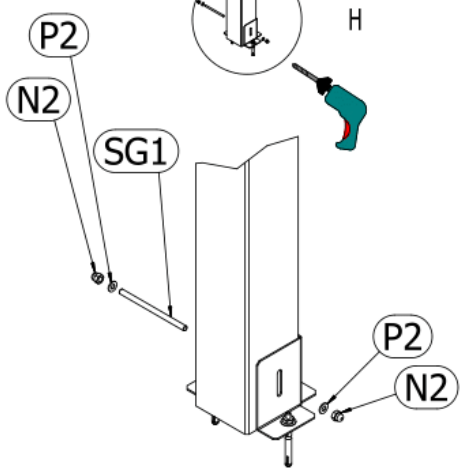
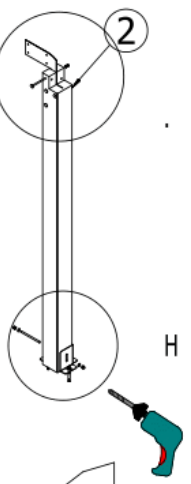
* parts included in the carport with the felt tiled roof



G



BACK



FRONT

