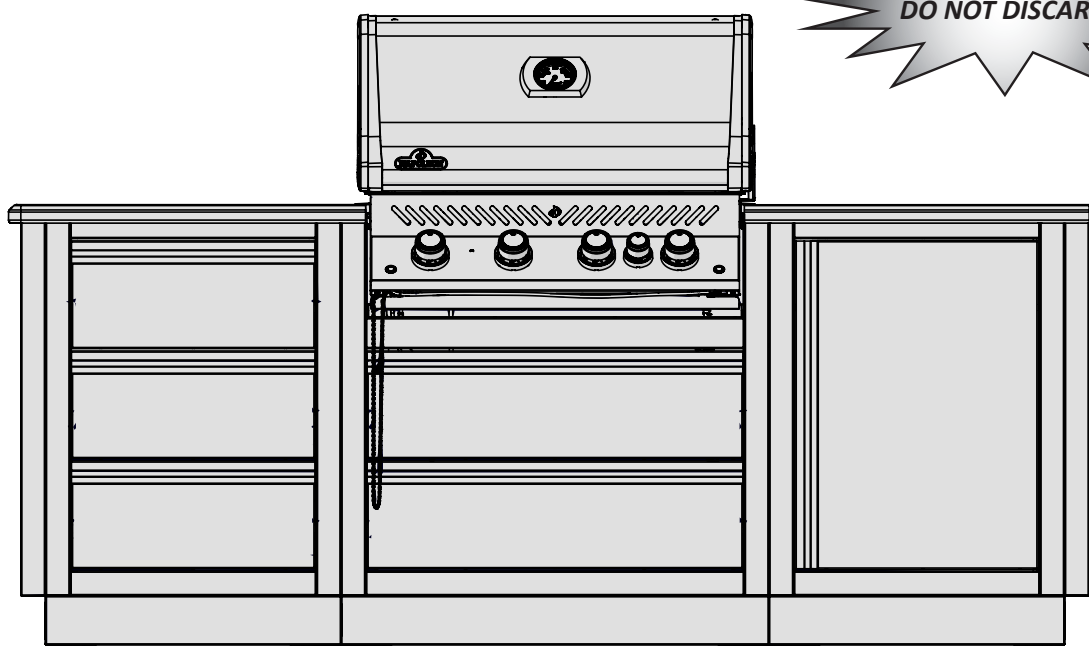


EN

FR
PG.14



MODULAR CABINET ASSEMBLY INSTRUCTIONS

Use this manual in conjunction with your main manual to properly assemble your built-in grill. Refer to the main manual for operating, cleaning, and maintenance instructions. This grill is designed for **NON-COMBUSTIBLE** enclosures only, and must be installed and serviced by a qualified installer to local codes.

RETAIN THIS MANUAL FOR FUTURE REFERENCE.

Wolf Steel Ltd.
214 Bayview Drive,
Barrie, Ontario, CANADA L4N 4Y8
grills@napoleon.com

Wolf Steel Europe BV
De Riemsdijk 22, 4004 LC, Tiel
The Netherlands
eu.info@napoleon.com



Napoleon President's 10 Year Limited Warranty



NAPOLEON products are designed with superior components and materials, and are assembled by trained craftsmen who take great pride in their work. This product has been thoroughly inspected by a qualified technician before packaging and shipping to ensure that you, the customer, receive the quality product you expect from NAPOLEON.

NAPOLEON warrants that components in your new NAPOLEON product will be free from defects in material and workmanship from the date of purchase, for the following period:

| | |
|---|--|
| Aluminum castings / stainless steel base | 10 years |
| Stainless steel tube burners | 10 years |
| Ceramic infrared burners (excluding screen) | 5 years full coverage, plus 50% off until the 10th year |
| Stainless steel lid, door and drawer panels | 5 years full coverage, plus 50% off until the 10th year |
| Porcelain-enameled cast iron cooking grids | 5 years full coverage, plus 50% off until the 10th year |
| Stainless steel or porcelain sear plates | 5 years full coverage, plus 50% off until the 10th year |
| Hinges, slides and enclosures | 3 years full coverage, plus 50% off until the 10th year |
| All other parts | 2 years |

*Conditions and Limitations

This Limited Warranty creates a warranty period as specified in the aforementioned table, for any product purchased through an authorized NAPOLEON dealer, and entitles the original purchaser to the specified coverage in respect of any component replaced within the warranty period, either by NAPOLEON or an authorized NAPOLEON dealer, to replace a component of such product that has failed in normal private use as a result of a manufacturing defect. The "50% off" indicated in the table means the component is made available to the purchaser at a 50% discount off the regular retail price of the component for the period indicated. This Limited Warranty does not cover accessories or bonus items.

For greater certainty, "normal private use" of a product means that the product: has been installed by a licensed, authorized service technician or contractor, in accordance with the installation instructions included with the product and all local and national building and fire codes; has been properly maintained; and has not been used as a communal amenity or in a commercial application.

Similarly, "failure" does not include: over-firing, blow outs caused by environmental conditions such as strong winds or inadequate ventilation, scratches, dents, corrosion, deterioration of painted and plated finishes, discoloration caused by heat, abrasive or chemical cleaners or UV exposure, chipping of porcelain enameled parts, or damages caused by misuse, accident, hail, grease fires, lack of maintenance, hostile environments such as salt or chlorine, alterations, abuse, neglect or parts installed from other manufacturers.

Should deterioration of parts occur to the degree of non-performance (rusted through or burnt through) within the duration of the warranted coverage, a replacement part will be provided. The replacement component is the sole responsibility of NAPOLEON defined by this Limited Warranty; in no event will NAPOLEON be responsible for installation, labor or any other costs or expenses related to the re-installation of a warranted part, for any incidental, consequential, or indirect damages or for any transportation charges, labor costs or export duties.

This Limited Warranty is provided in addition to any rights afforded to you by local laws. Accordingly, this Limited Warranty imposes no obligation upon NAPOLEON to keep parts in stock. Based on the availability of parts, NAPOLEON may at its discretion discharge all obligations by providing a customer a prorated credit towards a new product. After the first year, with respect to this Limited Warranty NAPOLEON may, at its discretion, fully discharge all obligations with respect to this warranty by refunding to the original warranted purchaser the wholesale price of any warranted but defective part(s).

The bill of sale or copy will be required together with a serial number and a model number when making any warranty claims from NAPOLEON. NAPOLEON reserves the right to have its representative inspect any product or part prior to honoring any warranty claim. You must contact NAPOLEON Customer Service or an authorized NAPOLEON dealer to obtain the benefit of the warranty coverage.



PLANNING YOUR NAPOLEON MODULAR OUTDOOR ISLAND

With the Napoleon Outdoor Modular Islands, you can transform your backyard into a true barbecue oasis. The versatile modules can be arranged in a way that fits your grilling needs. The modules can be freestanding as an outdoor kitchen or mounted against a non-combustible wall.

The cabinets are designed to be easy to assemble and install by either the home owner or private contractor. Consider the following:

- All cabinets are 35" (889 mm) tall by 24" (610 mm) deep and 24" (610 mm) wide, except for the BUILT-IN grill cabinets whose width correspond to the width of the grill head unit it was designed for.
- The fridge cabinet has a removable panel which allows access to the temperature control located at the back of the fridge. Access to the panel must be ensured when the cabinet is installed.
- Each cabinet has 4 leveling feet for adjustment on even surfaces.
- The 2 drawer cabinets are made to fit the Napoleon BUILT-IN series of grills only, which are available in different sizes. Grill head installation and operation instructions are detailed in the Owner's Manual that comes with it.
- The BUILT-IN series of grills can be ordered in either propane or natural gas configuration. Knockouts are present in the side and rear panels for easy piping and installation. For those who order a propane grill, a propane tank cabinet is available.
- The cabinets can be installed against a **NON-COMBUSTIBLE** wall of a house, a masonry or stucco half-wall, or freestanding in an island configuration.
- Ensure there is adequate ventilation behind the fridge cabinet – a minimum gap of 6" (150 mm) is required between the back of the cabinet and adjacent structures.
- An optional 4" (102 mm) spacer panel can be purchased and installed to ensure enough clearance for the grill lid to open when installing against a wall. It also prevents debris or rodents from entering behind the cabinets.
- A powder-coated 2" (51 mm) wide end panel can be purchased to cover the knockouts and mounting holes in the outside panels in a run of cabinets, offering a finished look.



WARNING! All gas modifications and/or installations must be done by a qualified gas installer.

WARNING! Never block the vents located on the back of the fridge cabinet. Failure to do so can result in the fridge overheating.

WARNING! Never place the fridge and fridge cabinet next to the grill head and grill head cabinet.

It is recommended to use the false top-drawer module IM-2DC when:

- Doors and drawers get in the way of each other if placed next to a 45° or 90° transition.
- A drawer, door, or paper towel/garbage module is placed next to the grill and the control panel prevents them from fully opening and possible damages them.
- A side burner kit (optional through your Napoleon Gas Grill dealer), or a sink will be installed. The space behind the false drawer offers enough clearance for the side burner valve and hose routing and for the sink's piping.

Counter top: must be ordered and supplied locally by the homeowner.

- It must be made of **NON-COMBUSTIBLE** material for a grill to be installed into it.
- It can be ordered in advance by drawing out the cabinet's arrangement floor plan and adding up the width measurements, allowing 1-2 inches (25 mm - 51 mm) of counter top overhang.



TIP! Most counter top manufacturers are willing to come and take measurements after assembling the cabinets to ensure a perfect fit. Granite is a recommended choice of counter top material.

- For the drip pan to slide in and out properly, the grill head must be supported by a counter top with a thickness between ½" (13 mm) and 1 ½" (38 mm).
- The built-in grill head comes with stainless steel brackets and hardware that allow the unit to rest on the counter top above the corresponding island cabinet.

Decorative counter tops made of ceramic tile set on top of cement tiling board can be made to match your surrounding backyard furniture colors.



WARNING! This product can expose you to chemicals including nickel, which are known to the State of California to cause cancer, and chemicals including bisphenol A, which are known to the State of California to cause birth defects or other reproductive harm. For more information go to www.P65Warnings.ca.gov.

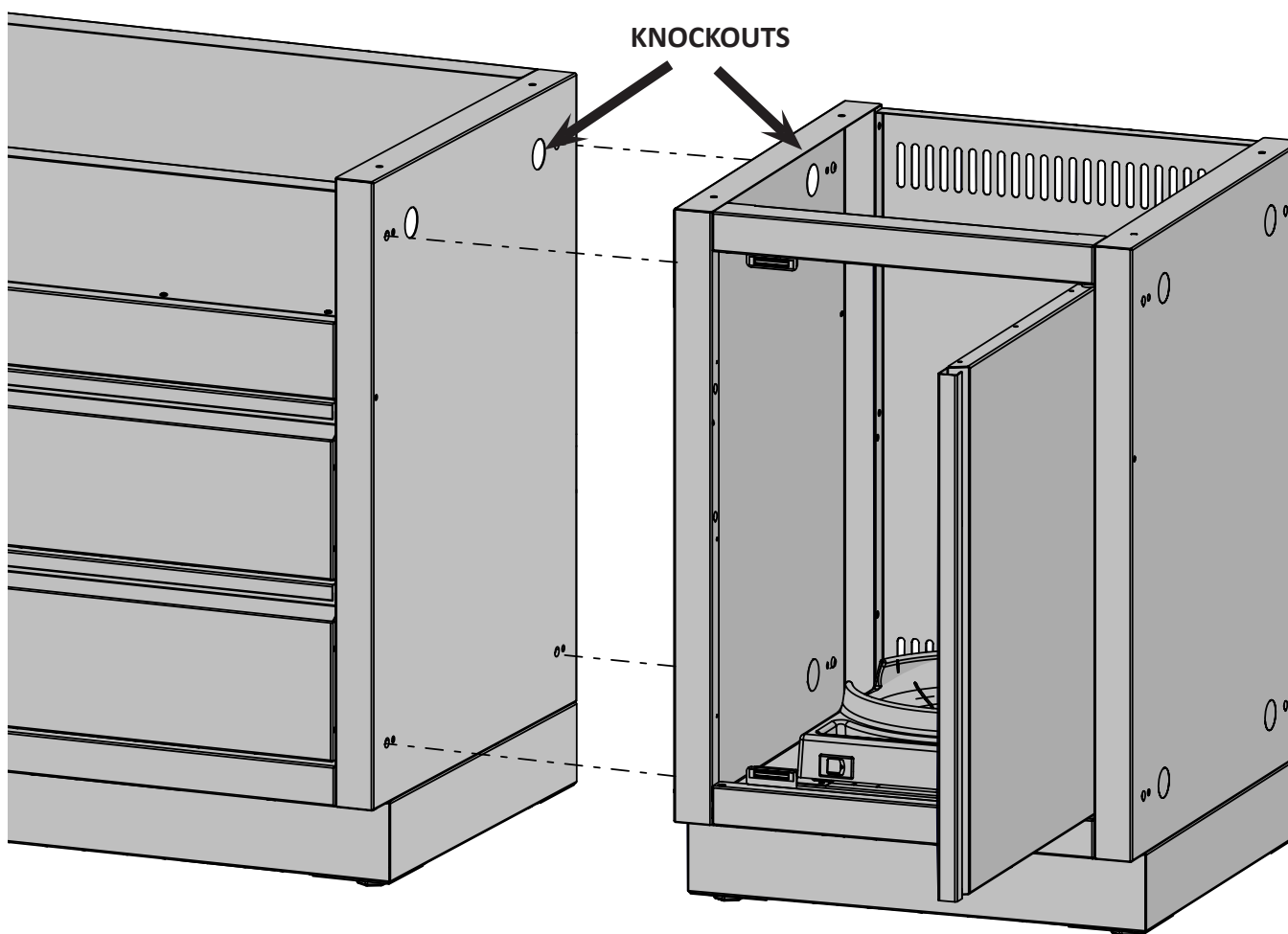
TOOLS REQUIRED FOR ASSEMBLY (tools not included)

3/8" (10mm)

GAS AND ELECTRICAL PIPING

The piping up to the gas grill is the responsibility of the installer and piping should be located as shown in the built-in instructions. Do not use hose to connect the unit. It must be connected with either rigid pipe, copper tube or an approved flexible metal connector. The installation must comply with CAN B149.1 Natural Gas and Propane installation code in Canada, or to the National Fuel Gas code, ANSI Z223.1 in the United States. The minimum recommended piping size is NPS 1/2" for rigid pipe, and 1/2" OD for copper tubing (based on a 20 ft run). Longer runs may require larger sizes to conform with CAN B149.1. Propane Gas Installation Code in Canada or to the National Fuel Gas Code, ANSI Z223.1 in the United States. Look to the manual that came with the gas grill for further instructions.

To ease installation and piping, removable knockouts have been provided in the side panels and in the center of each backpanel. The knockouts in the side panels should be removed before the cabinets are bolted in a row. Only remove the knockouts that are required for the piping of any gas, plumbing or electrical lines.



IM-UTC

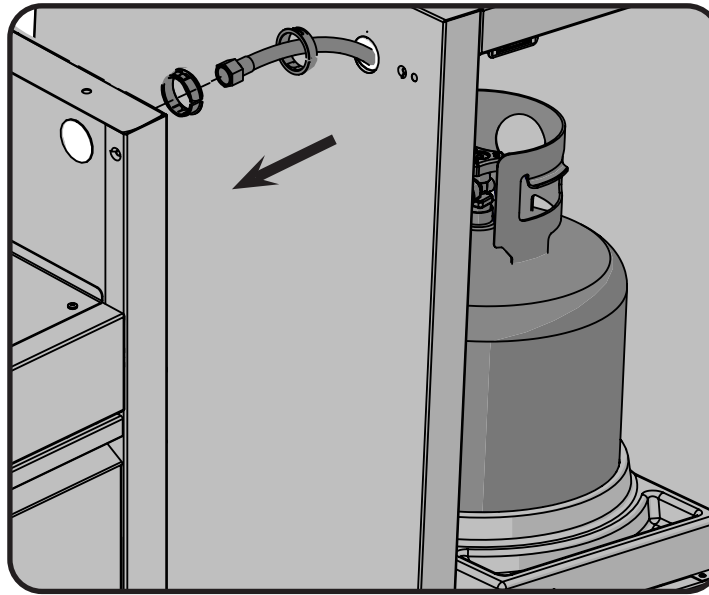
PROPANE SUPPLY HOSE ROUTING

EN



x2

N105-0012



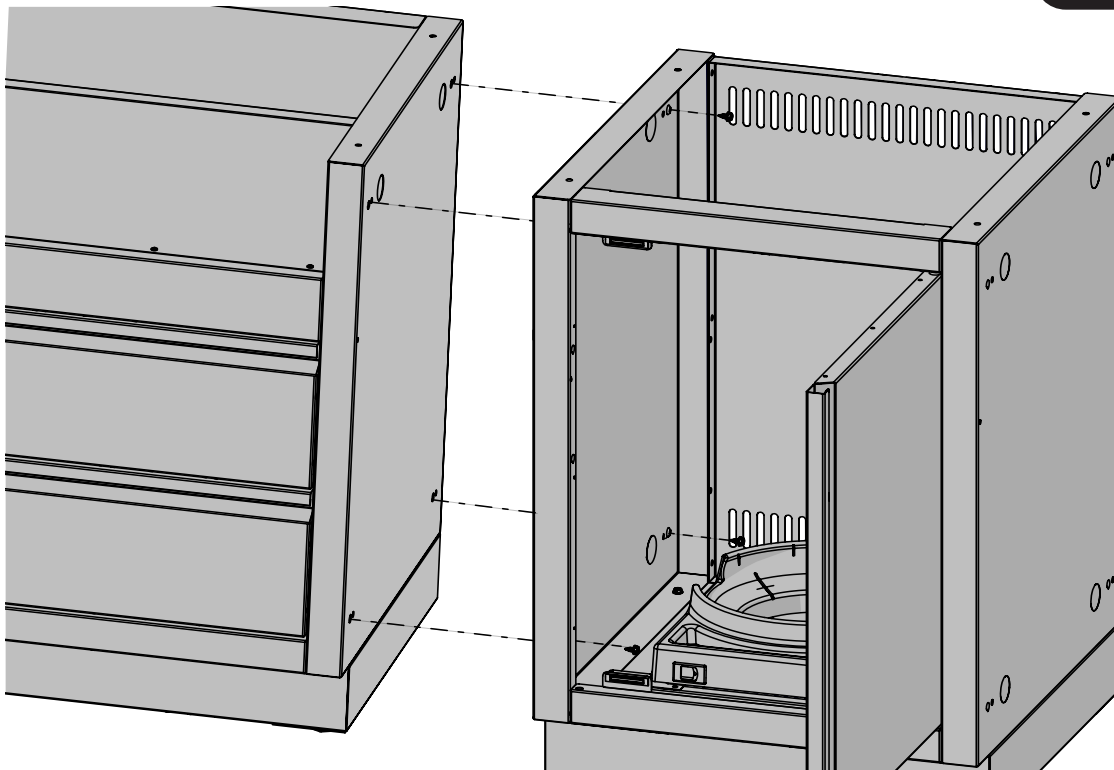
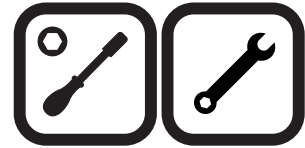
Knockouts have been punched in the sides and back panels to provide easy routing of gas or electrical piping. Once the knockout has been removed a bushing must be installed to prevent the gas or electrical line being cut on the edge of the hole. Gas piping and installation must be done by a qualified gas installer.

CABINET TO CABINET ASSEMBLY



x4

N570-0086



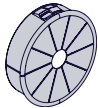
IM-FMPD-CN / FEPD-CN
IM-FMP-CN / FEP-CN

FRIDGE PANEL ATTACHMENT



x4

N570-0086

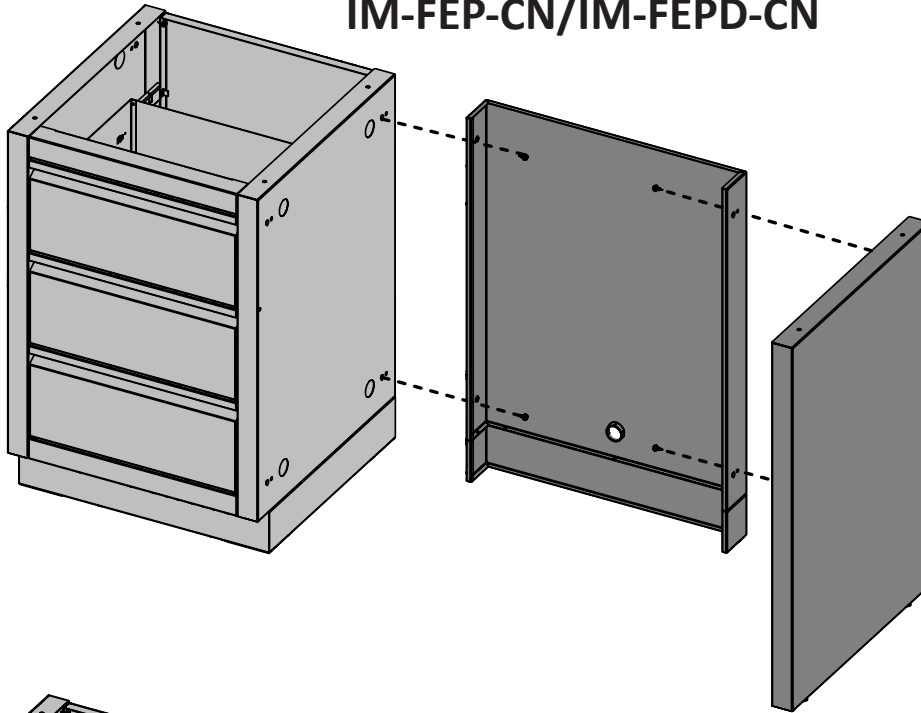


x1

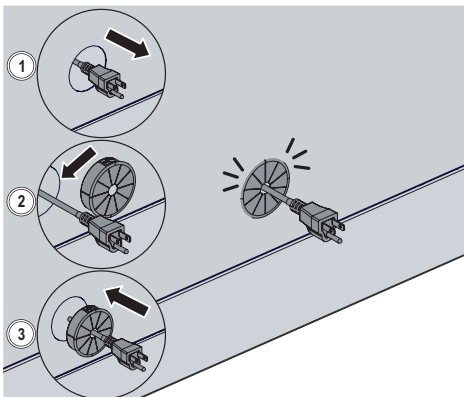
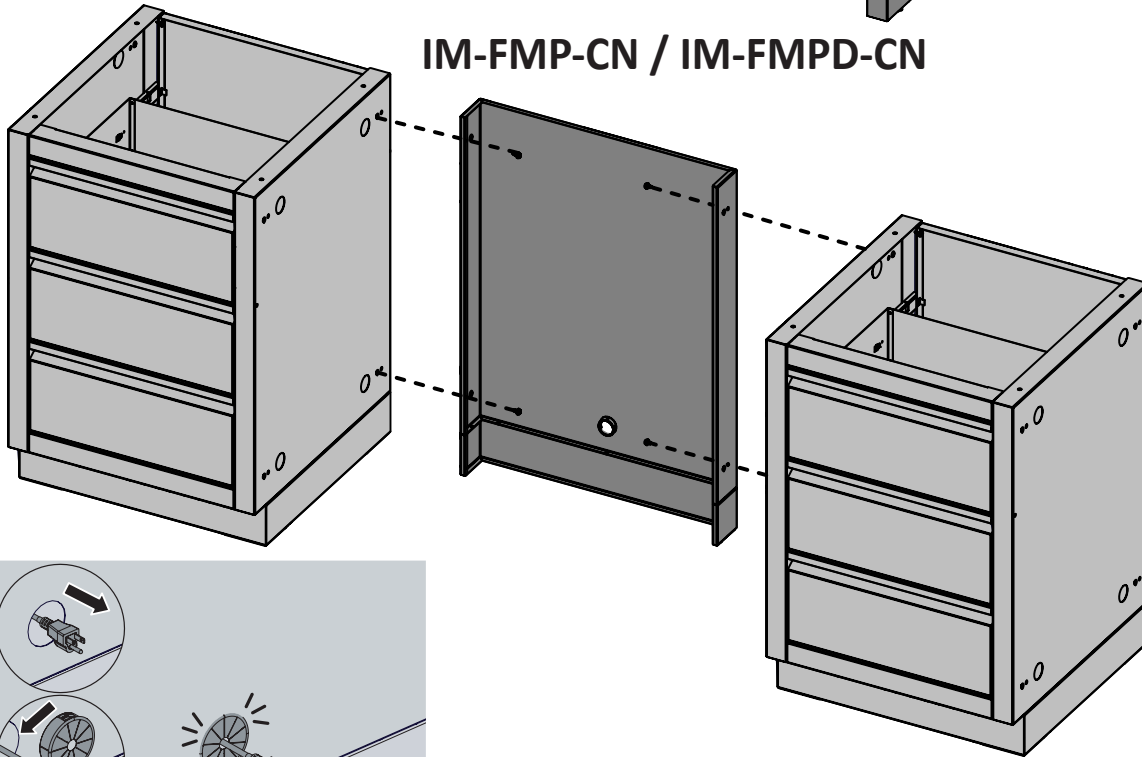
N105-0024



IM-FEP-CN/IM-FEPD-CN

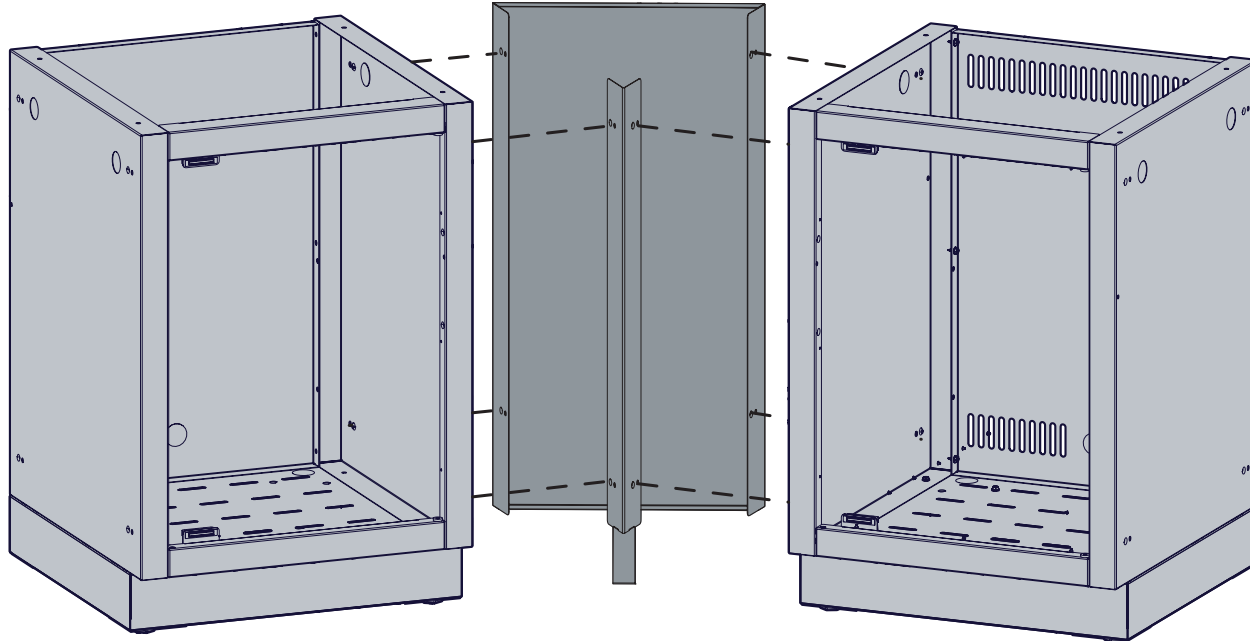
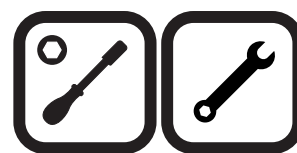


IM-FMP-CN / IM-FMPD-CN

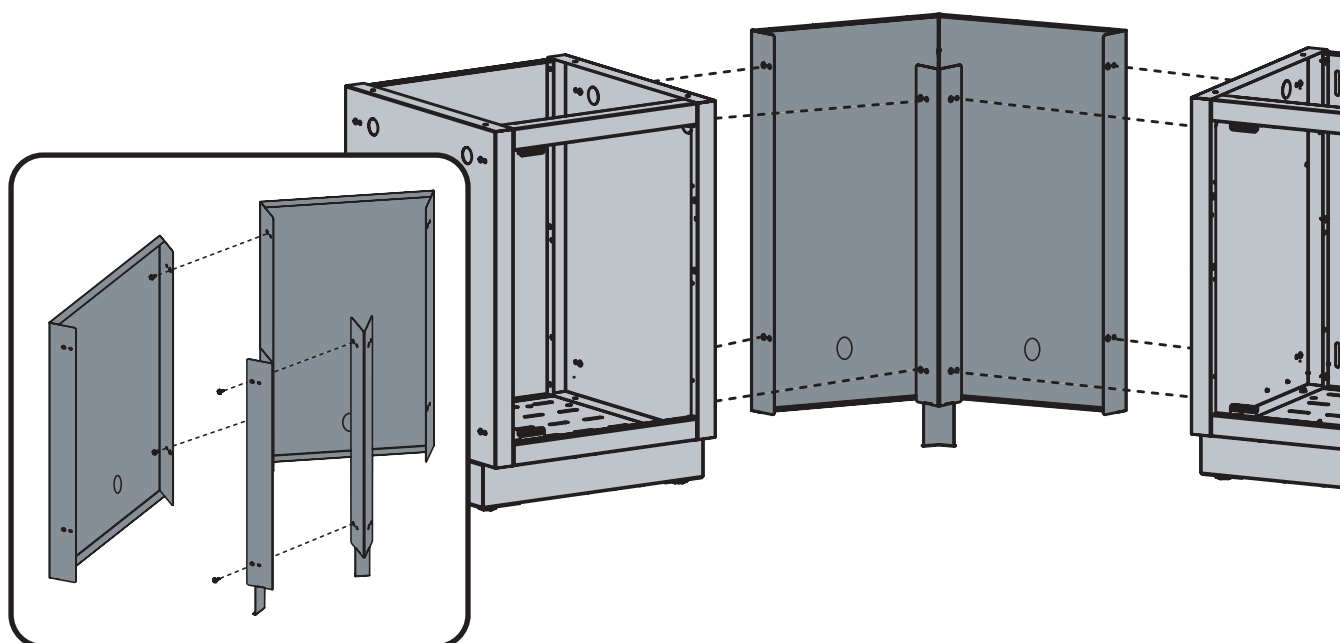


IM-45T CABINET 45 DEGREE CONNECTION

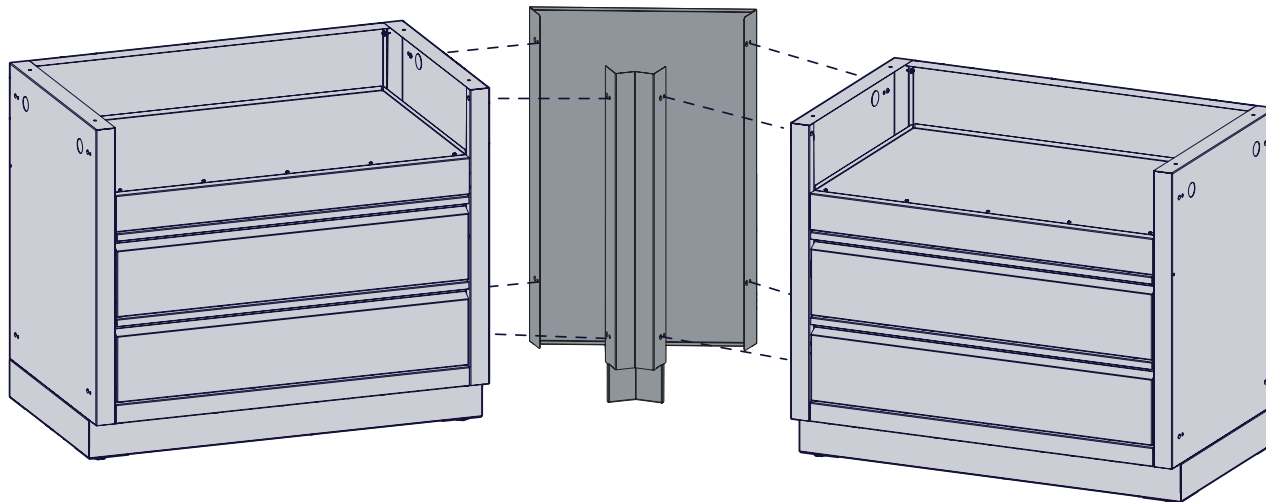
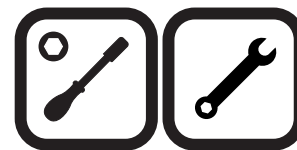
EN



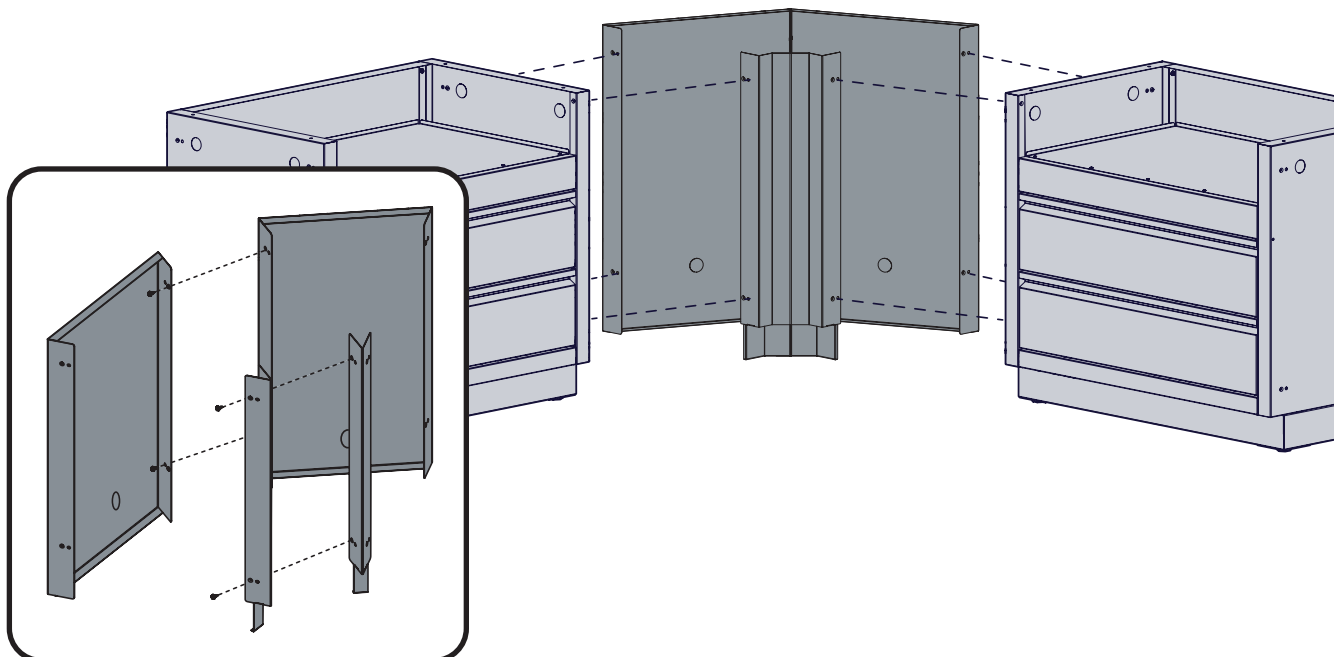
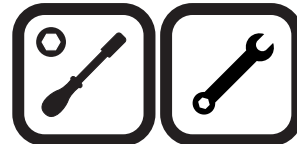
IM-45T X 2 CABINET 90 DEGREE CONNECTION



IM-45LT CABINET 45 DEGREE CONNECTION



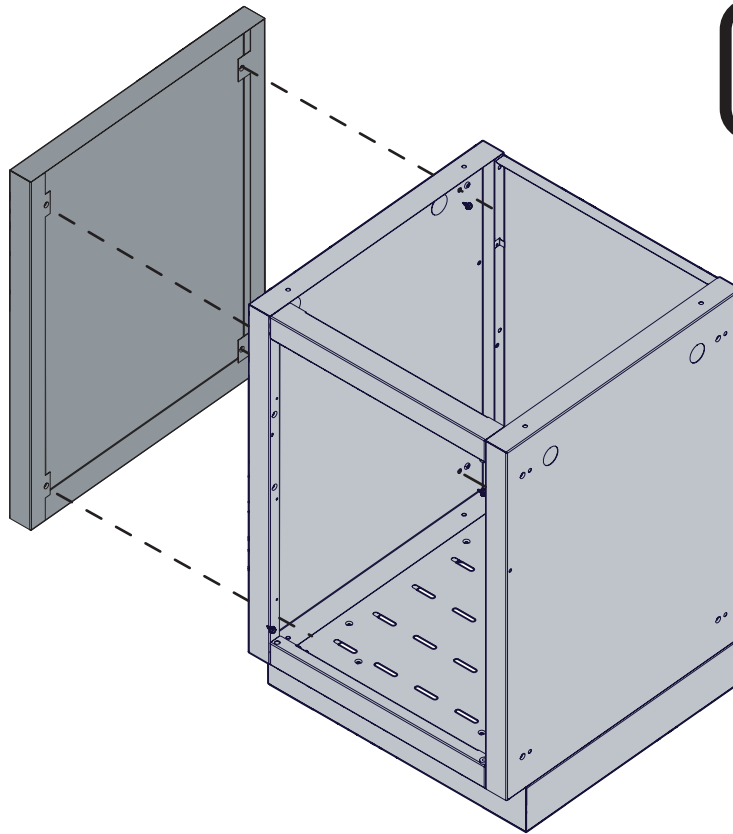
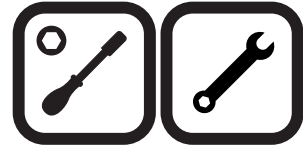
IM-45LT X 2 CABINET 90 DEGREE CONNECTION



IM-CEP

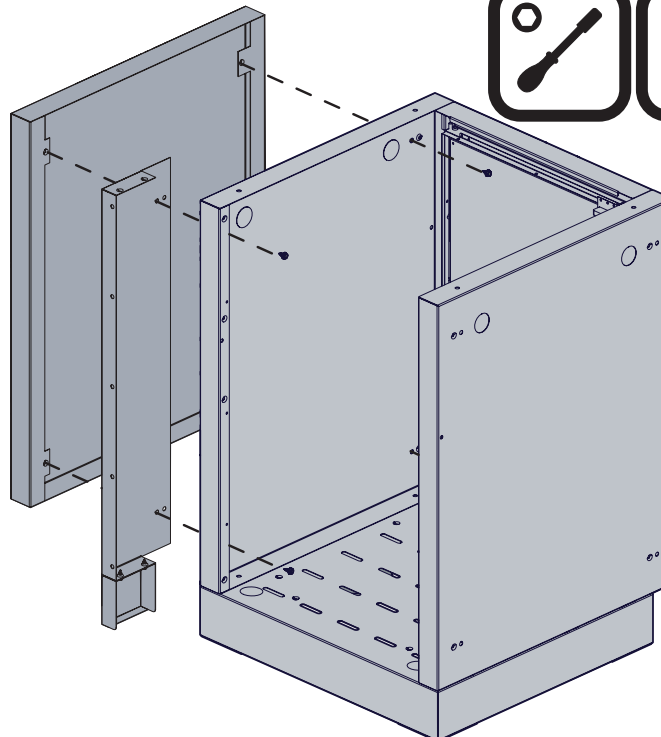
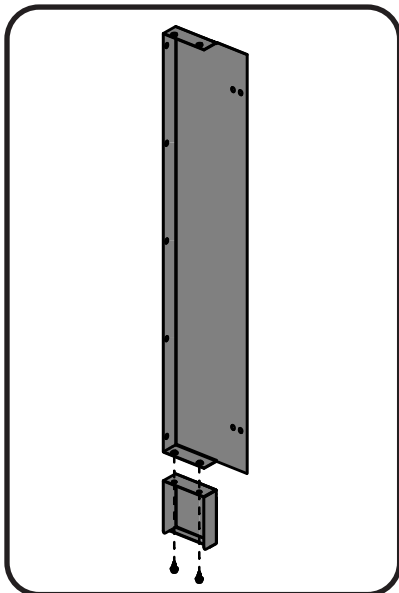
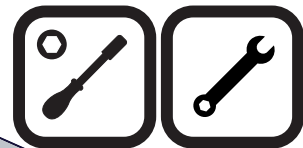
CABINET END PANEL KIT

EN



IM-CEP / IM-WSF

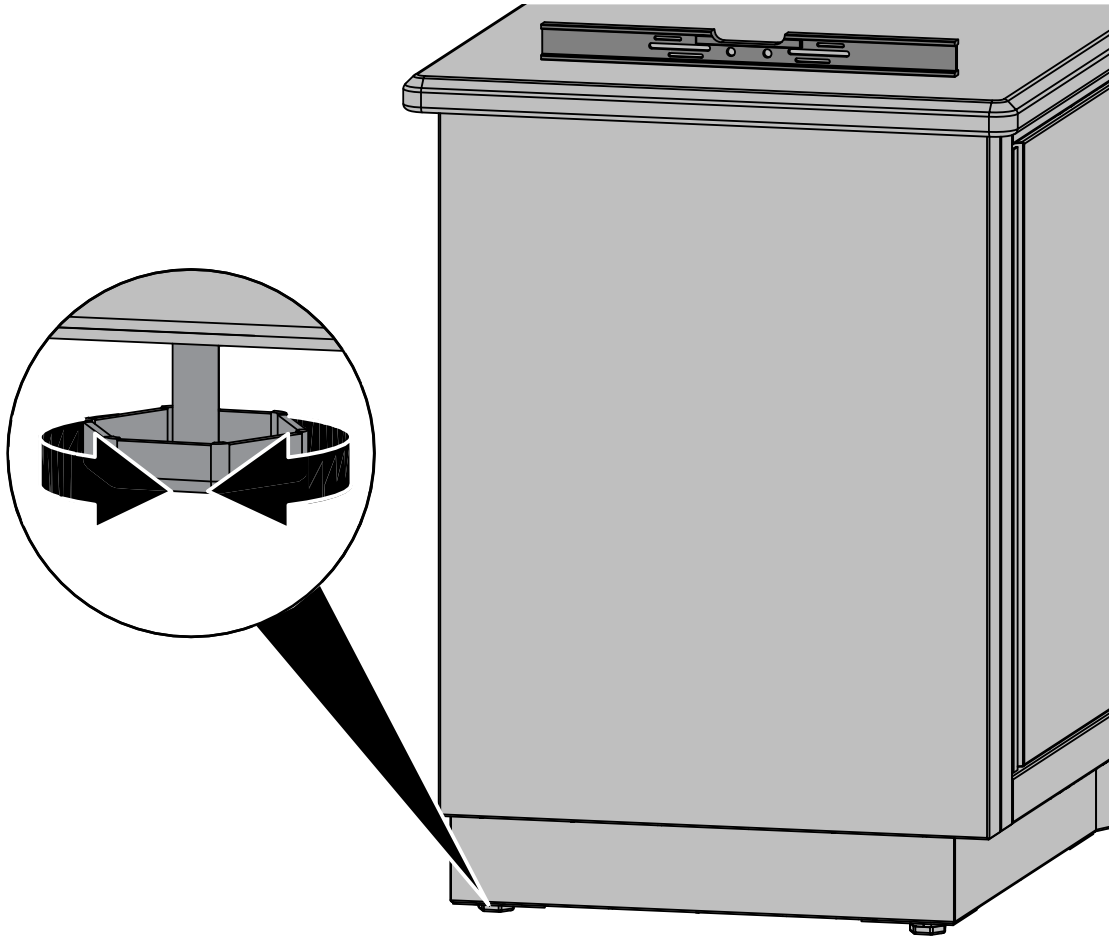
CABINET END PANEL KIT



SHOWN WITH REAR PANEL REMOVED

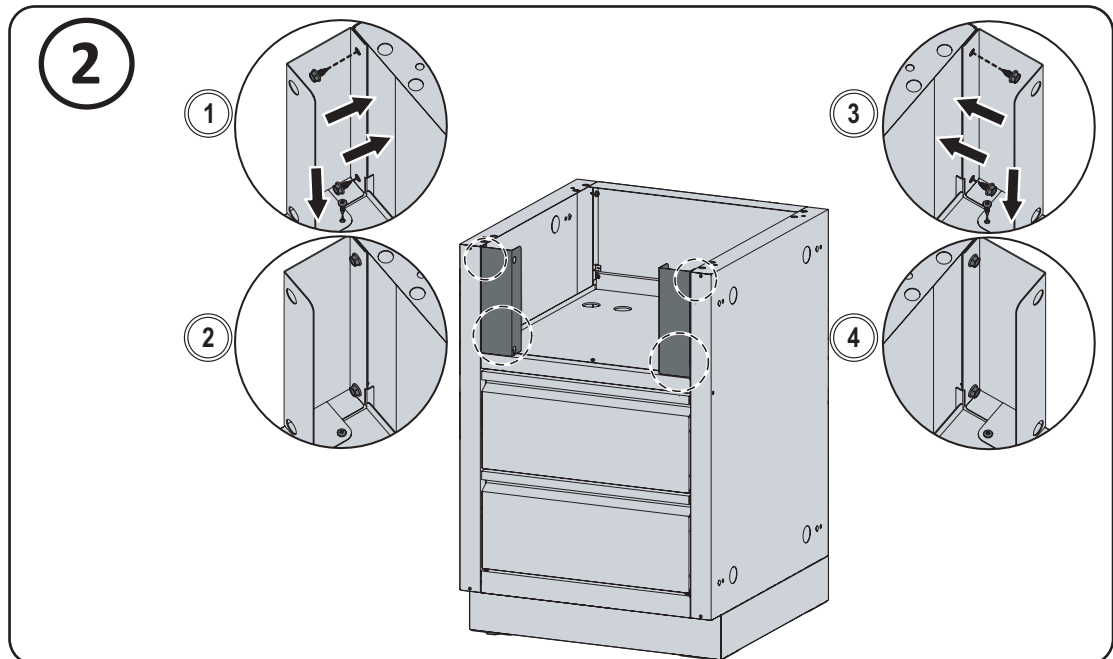
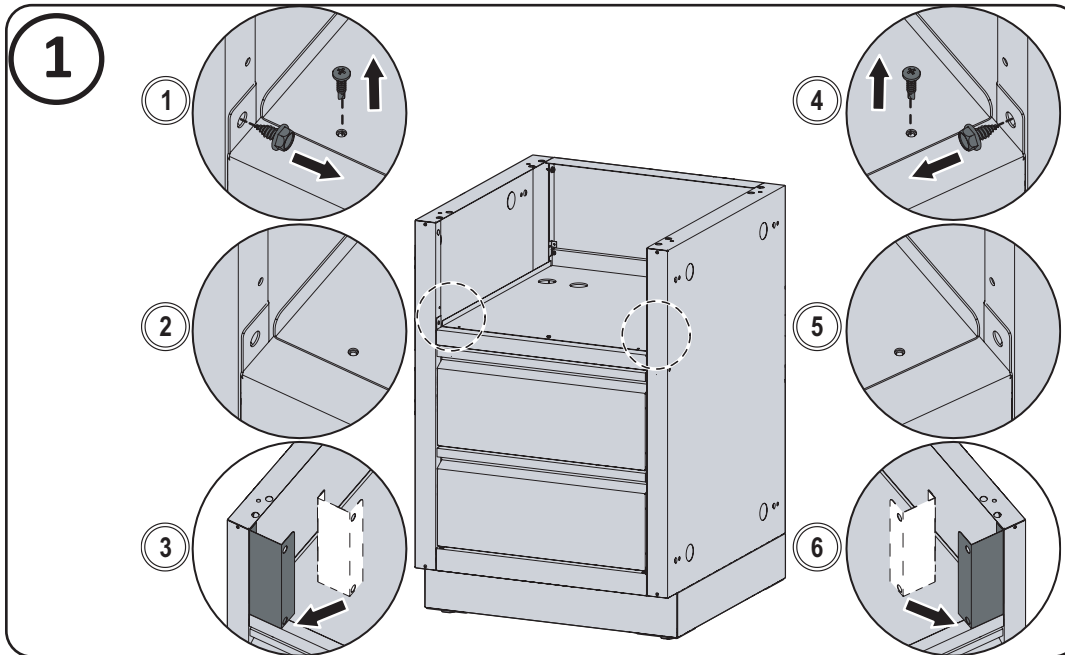
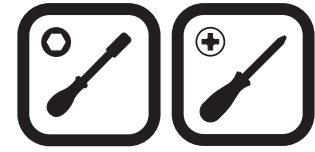
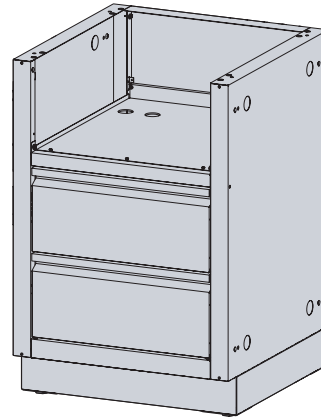
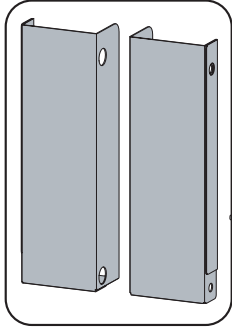


CABINET LEVELING PROCEDURE

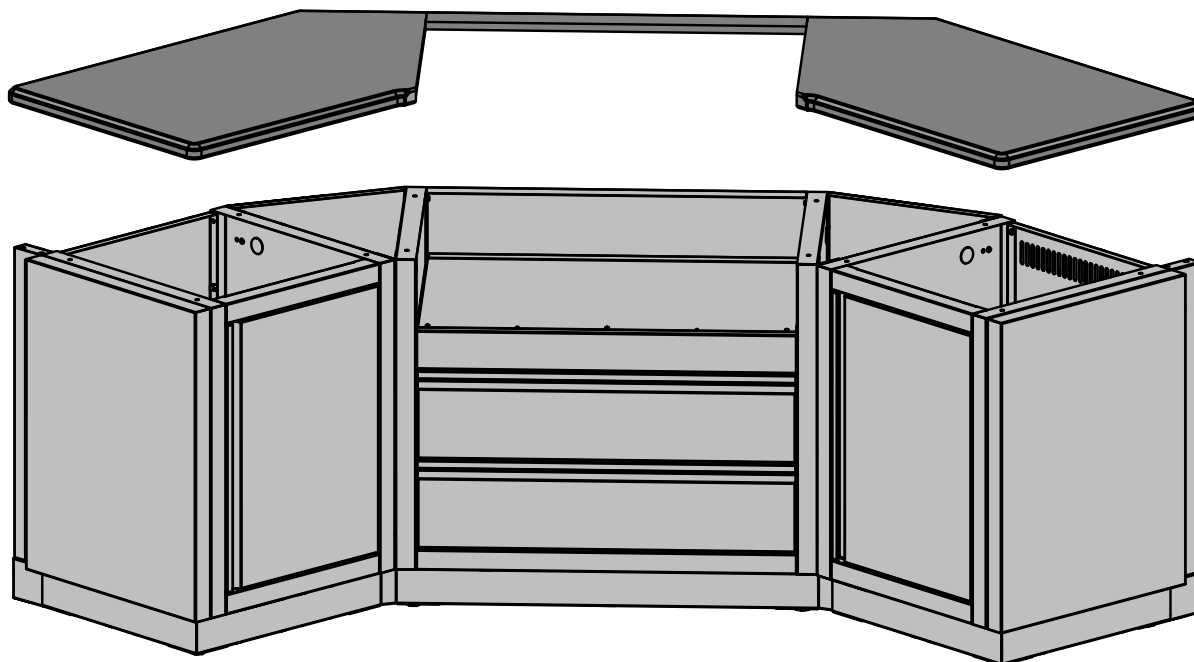


N370-1064 Adapter Kit BIB18RT to BIB12RT

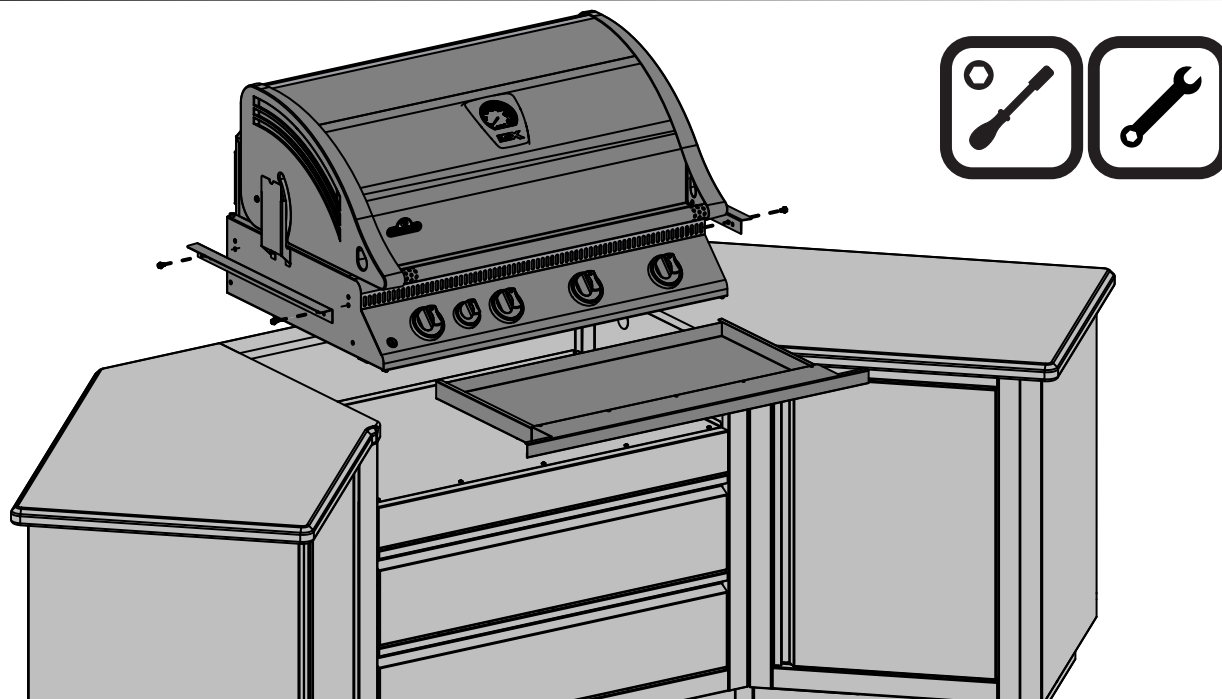
EN



WE RECOMMEND USING THE IM-45LT WHEN MOUNTING GAS APPLIANCES IN 45° CORNERS. THE IM-45T CAN BE USED FOR OTHER CABINETS.



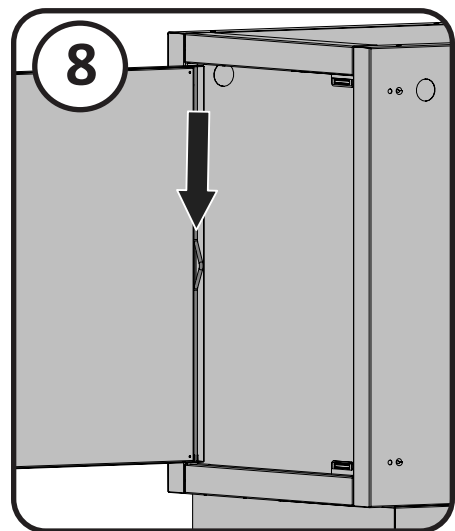
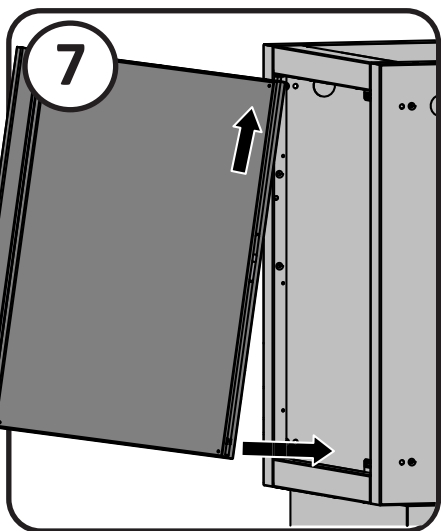
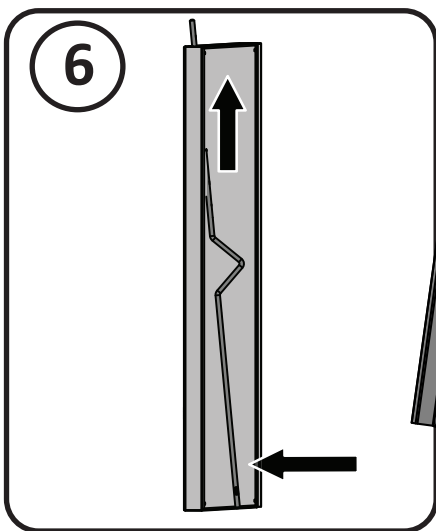
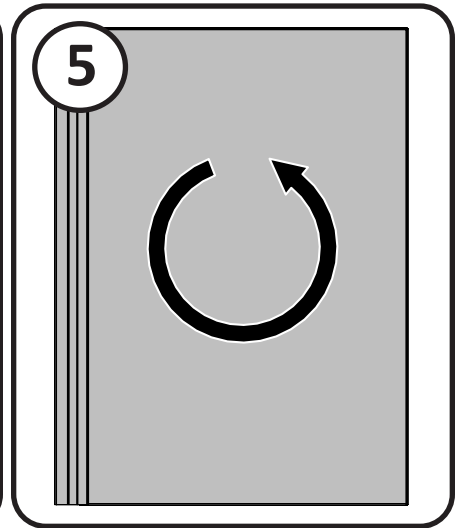
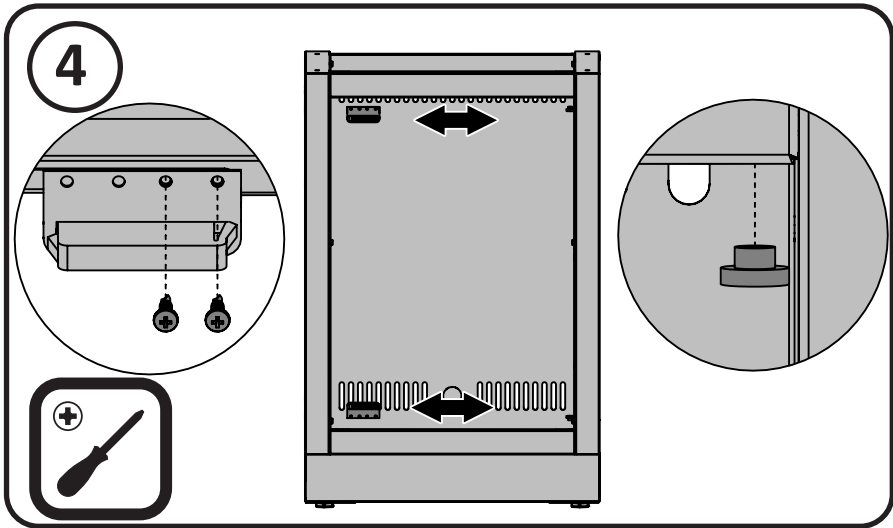
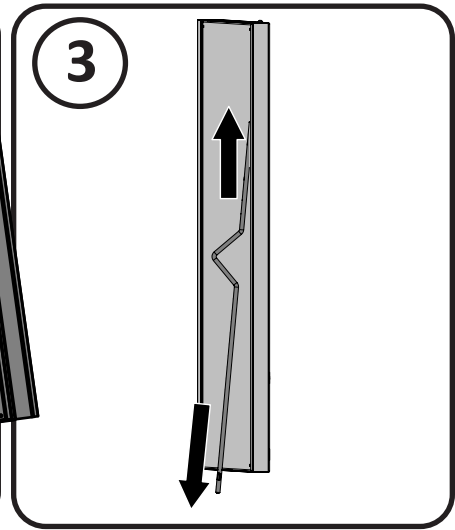
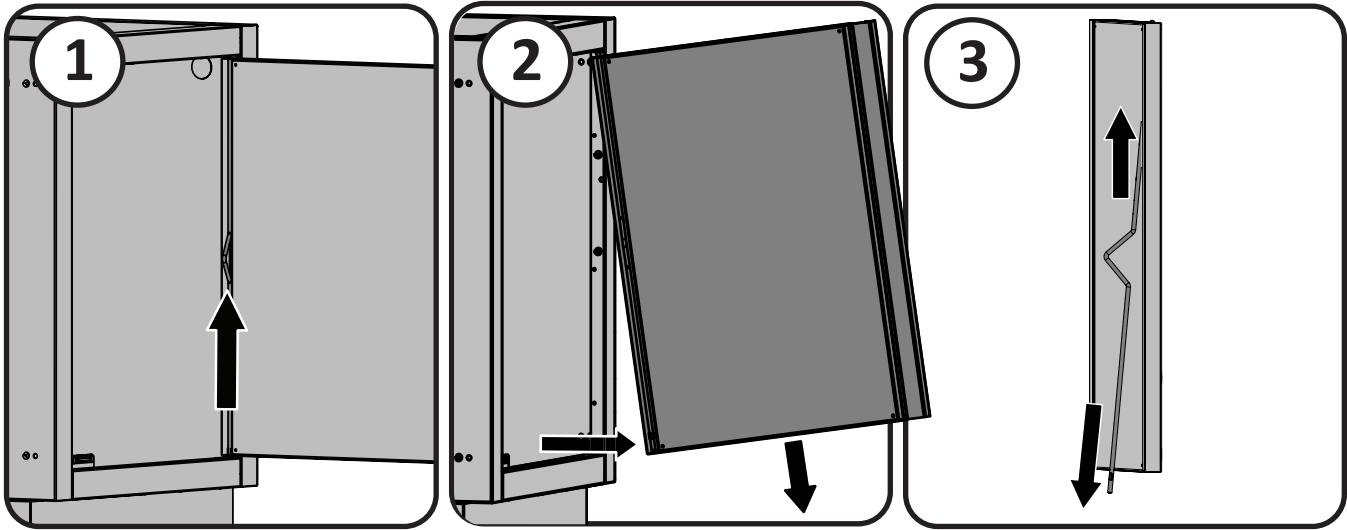
COUNTERTOP TO BE FASTENED AS PER MANUFACTURER'S INSTRUCTIONS. HOLES HAVE BEEN PLACED ON THE TOP FLANGE OF THE SIDE PANELS TO ALLOW FOR FASTENERS.



REFER TO BUILT-IN MANUAL THAT ACCOMPANIES THE GRILL FOR COMPLETE INSTRUCTIONS. GAS PIPING MUST BE DONE BY A LICENSED GAS INSTALLER.

DOOR REVERSAL

EN



Notes

KEEP YOUR RECEIPT AS PROOF OF PURCHASE TO VALIDATE YOUR WARRANTY.

Ordering Replacement Parts

Warranty Information

MODEL: _____

DATE OF PURCHASE: _____

SERIAL NUMBER: _____

(Record information here for easy reference)

For replacement parts and warranty claims, contact the Napoleon dealer where the product was purchased.

Before contacting the dealer, check the Napoleon Grills Website for more extensive cleaning, maintenance, troubleshooting and parts replacement instructions at www.napoleon.com.

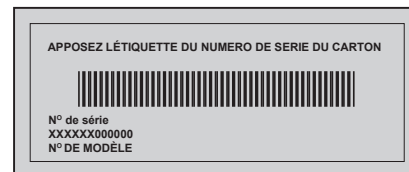
To process a claim, the following information is required:

1. Model and serial number of the unit.
2. Part number and description.
3. A concise description of the problem ('broken' is not sufficient).
4. Proof of purchase (photocopy of the invoice).

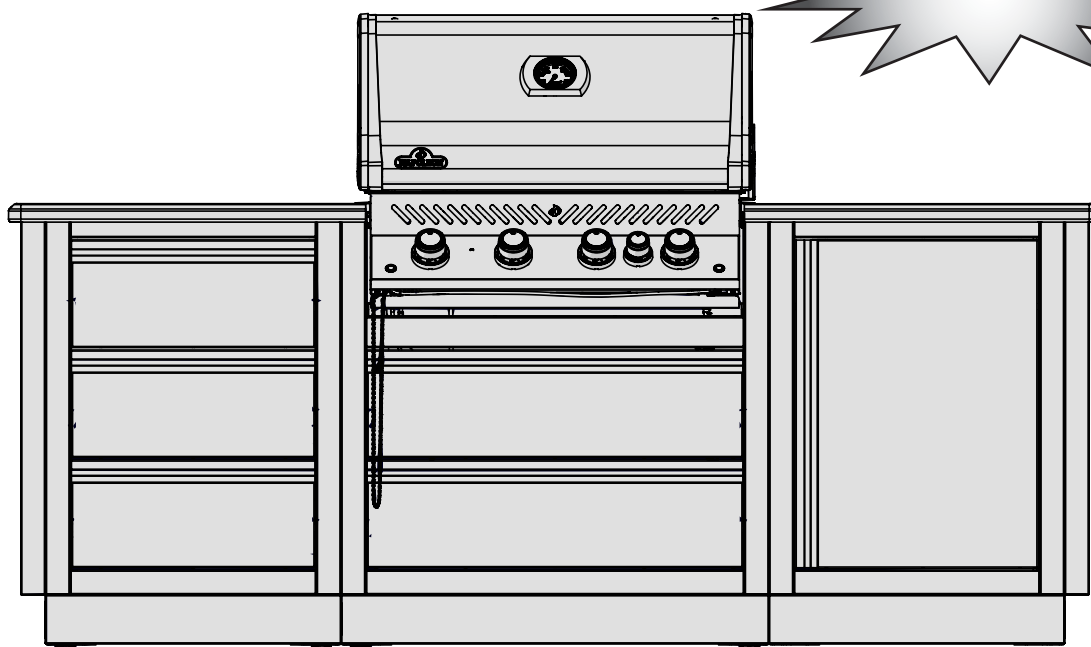
In some cases, Napoleon could request to have the parts returned to the factory for inspection before providing replacement parts.

Before contacting Napoleon dealer, please note that the following items are not covered by the warranty:

- Costs for transportation, brokerage or export duties.
- Labour costs for removal and reinstallation.
- Costs for service calls to diagnose problems.
- Discolouration of stainless steel parts.
- Part failure due to lack of cleaning and maintenance, or use of improper cleaners (oven cleaner or other harsh chemicals).



FR



INSTRUCTIONS D'ASSEMBLAGE DES CABINETS MODULAIRES

Afin d'assembler correctement votre grill encastré, veuillez vous référer à ce manuel ainsi qu'au manuel principal. Consultez ce dernier pour les instructions d'opération, de nettoyage et d'entretien. Ce grill convient uniquement à des cabinets INCOMBUSTIBLES et il doit être installé et entretenu par un installateur qualifié en respectant les codes locaux.

GARDER CE LIVRE POUR RÉFÉRENCES FUTURES.

Wolf Steel Ltd.
214 Bayview Drive,
Barrie, Ontario, CANADA L4N 4Y8
grills@napoleon.com

Wolf Steel Europe BV
De Riemsdijk 22, 4004 LC, Tiel
The Netherlands
eu.info@napoleon.com

Garantie limitée à vie de 10 ans du Président des Grils Napoléon



FR

Les produits NAPOLÉON sont conçus avec des composants et des matériaux de qualité supérieure, assemblés par des artisans qualifiés qui sont fiers de leur travail. Ce produit a été soigneusement inspecté par un technicien qualifié avant d'être emballé et expédié pour garantir que vous, le client, recevez le produit de qualité dont vous vous attendez de la part de NAPOLÉON.

NAPOLÉON garantit que les composants de votre nouveau produit NAPOLÉON sera exempt de défauts de matériaux et de fabrication à partir de la date d'achat, pour la période suivante :

| | |
|--|---|
| Pièces en fonte d'aluminium / base en acier inoxydable | 10 ans |
| Brûleurs tubulaires en acier inoxydable | 10 ans |
| Brûleur infrarouge en céramique (excluant le grillage) | 5 ans de pleine garantie, plus 50 % de rabais jusqu'à la 10e année |
| Couvercle en acier inoxydable, la porte et les panneaux de tiroirs | 5 ans de pleine garantie, plus 50 % de rabais jusqu'à la 10e année |
| Plaques de brûleur en fonte émaillée en porcelaine | 5 ans de pleine garantie, plus 50 % de rabais jusqu'à la 10e année |
| Plaques de brûleur en acier inoxydable ou en porcelaine | 5 ans de pleine garantie, plus 50 % de rabais jusqu'à la 10e année |
| Les charnières, les boîtiers et les glisseurs | 3 ans de pleine garantie, plus 50 % de rabais jusqu'à la 10e année |
| Toutes les autres pièces | 2 ans |

*Conditions et limitations

La présente garantie limitée couvre une période de garantie telle que spécifiée dans le tableau ci-dessus pour tout produit acheté par l'entremise d'un détaillant autorisé NAPOLÉON et donne droit à l'acheteur d'origine à la couverture spécifiée relativement à tout composant remplacé durant la période de garantie, que ce soit par NAPOLÉON ou un détaillant autorisé NAPOLÉON, pour le remplacement de tout composant qui présente une défaillance dans le cadre d'un usage privé normal à la suite d'un défaut de fabrication. La mention « 50 % de rabais » indiquée dans le tableau signifie que le composant est mis à disposition de l'acheteur à 50 % de son prix de détail courant pour la période indiquée. La présente garantie limitée ne couvre ni les accessoires ni les articles offerts gratuitement.

Il est entendu que l'« usage privé normal » d'un produit signifie que le produit : a été installé par un technicien de service ou entrepreneur certifié, conformément aux instructions d'installation incluses avec le produit et à tous les codes d'incendie et de construction locaux et nationaux; a été entretenu correctement; et n'a pas été utilisé dans une application à usage collectif ou commercial.

De la même manière, « défaillance » n'inclut pas : la surchauffe, les extinctions causées par des conditions environnementales telles que des vents forts ou une ventilation inadéquate, les égratignures, les bosses, la corrosion, la détérioration des finis peints et plaqués, la décoloration due à la chaleur, aux nettoyants abrasifs ou chimiques ou à l'exposition à des rayons UV, l'écaillage des pièces en porcelaine émaillée ou les dommages causés par un mauvais usage, un accident, la grêle, des feux de graisse, un manque d'entretien, un environnement inadéquat tel que le sel ou le chlore, des altérations, des abus, des négligences ou des pièces installées par d'autres fabricants.

Dans le cas d'une détérioration des composants causant le mauvais fonctionnement de l'appareil (perforation par la rouille ou la surchauffe) pendant la période couverte par la garantie, les pièces de rechange seront fournies par NAPOLÉON. Les composants de rechange relèvent de la seule responsabilité de NAPOLÉON telle que définie par la présente garantie limitée; en aucun cas, NAPOLÉON ne saurait être tenu responsable de l'installation, de la main-d'œuvre ou de tous autres coûts ou dépenses relatifs à la réinstallation d'une pièce garantie, de tous dommages accessoires, consécutifs ou indirects ni de tous frais de transport, de main-d'œuvre ou taxes d'exportation.

La présente garantie limitée vient s'ajouter à tous les droits qui vous sont accordés par la législation locale. Par conséquent, la présente garantie limitée n'impose pas à NAPOLÉON l'obligation de garder des pièces en stock. En fonction de la disponibilité des pièces, NAPOLÉON peut, à sa discrétion, se libérer de toute obligation en fournissant à un client un crédit au prorata applicable à un nouveau produit. Après la première année, NAPOLÉON peut, à sa discrétion, se libérer entièrement de toute obligation en ce qui concerne la présente garantie limitée en remboursant à l'acheteur d'origine le prix de gros de toute pièce garantie et défectueuse.

La facture ou une copie sera requise ainsi que le numéro de série et le numéro de modèle lors d'une réclamation auprès de NAPOLÉON. NAPOLÉON se réserve le droit de demander à son représentant d'inspecter tout produit ou pièce avant d'honorer toute réclamation. Pour pouvoir bénéficier de la couverture de garantie, vous devez contacter le service à la clientèle de NAPOLÉON ou un détaillant autorisé NAPOLÉON.



www.napoleon.com

PLANIFICATION DE VOTRE ÎLOT MODULAIRE EXTÉRIEUR NAPOLEON

Avec Napoleon Modular Islands vous pouvez transformer votre cour arrière en une véritable oasis barbecue. Les modules polyvalents peuvent être arrangés de manière à répondre à vos besoins. Les cuisines d'extérieur NAPOLEON peuvent être autoportantes ou fixées contre un mur incombustible.

- Les armoires sont conçues pour être faciles à assembler et à installer par le propriétaire ou l'entrepreneur privé. Considérez ce qui suit :
- Toutes les armoires mesurent 35 po (889 mm) de hauteur sur 24 po (610 mm) de profondeur et 24 po (610 mm) de largeur, à l'exception des armoires BUILT-IN dont la largeur correspond à la largeur de la tête de la grille pour laquelle elles ont été conçues.
- L'armoire du réfrigérateur dispose d'un panneau amovible qui permet d'accéder au contrôle de température situé à l'arrière du réfrigérateur. L'accès au panneau doit être assuré lors de l'installation de l'armoire.
- Chaque armoire dispose de 4 pieds de réglage pour le réglage sur des surfaces planes.
- Les 2 armoires à tiroirs sont conçues pour s'adapter uniquement aux grilles de la série Napoleon BUILT-IN, qui sont disponibles en différentes tailles. Les instructions d'installation et d'utilisation de la tête du grill sont détaillées dans le manuel du propriétaire qui l'accompagne.
- Les grils de la série BUILT-IN peuvent être commandés au propane ou au gaz naturel. Les panneaux latéraux et arrière sont munis de débouchures pour faciliter la tuyauterie et l'installation. Pour ceux qui commandent un grill au propane, une armoire à bouteilles de propane est disponible.
- Les armoires peuvent être installées contre un mur NON COMBUSTIBLE d'une maison, contre une demi-mur en maçonnerie ou en stuc, ou contre un mur autoportant en îlot.
- Assurez-vous qu'il y a une ventilation adéquate derrière l'armoire du réfrigérateur - un espace minimum de 6» (150 mm) est requis entre l'arrière de l'armoire et les structures adjacentes.
- Un panneau d'espacement optionnel de 4 po (102 mm) peut être acheté et installé pour assurer un espace suffisant pour que le couvercle du grill s'ouvre lorsqu'il est installé contre un mur. Il empêche également les débris ou les rongeurs d'entrer derrière les armoires.
- Un panneau d'extrémité de 51 mm (2 po) de largeur peut être acheté pour couvrir les débouchures et les trous de montage dans les panneaux extérieurs d'une série d'armoires, offrant un aspect fini.



AVERTISSEMENT ! Toutes les modifications et/ou installations de gaz doivent être effectuées par un installateur de gaz qualifié.

AVERTISSEMENT ! Ne bloquez jamais les événements situés à l'arrière de l'armoire du réfrigérateur.

Le non-respect de cette consigne peut entraîner une surchauffe du réfrigérateur.

AVERTISSEMENT ! Ne placez jamais le réfrigérateur et son armoire à côté de la tête du grill et de l'armoire de tête du grill.

Il est recommandé d'utiliser le module de faux tiroir supérieur IM-2DC lorsque :

- Les portes et les tiroirs se gênent l'un l'autre s'ils sont placés à côté d'une transition de 45° ou 90°.
- Un tiroir, une porte ou un module d'essuie-mains en papier est placé à côté de la grille et le panneau de commande les empêche de s'ouvrir complètement et de les endommager éventuellement.
- Un brûleur latéral (en option chez votre concessionnaire Napoleon Gas Grill), ou un évier sera installé. L'espace derrière le faux tiroir offre suffisamment d'espace pour la soupape du brûleur latéral et le passage des tuyaux et pour la tuyauterie de l'évier.

Comptoir: doit être commandé et fourni localement par le propriétaire.

- Il doit être fait d'un matériau NON COMBUSTIBLE pour qu'un grill puisse y être installé.
 - Il peut être commandé à l'avance en dessinant le plan d'aménagement de l'armoire et en additionnant les mesures de largeur, ce qui permet un porte-à-faux de 1 à 2 pouces (25 mm - 51 mm) du dessus du comptoir.
- TIP !** La plupart des fabricants de comptoirs sont prêts à venir prendre des mesures après l'assemblage des armoires pour assurer un ajustement parfait. Le granit est un matériau recommandé pour les comptoirs.



- Pour que le bac d'égouttement puisse glisser correctement vers l'intérieur et l'extérieur, la tête du grill doit être supportée par un plan de travail d'une épaisseur comprise entre 13 mm (½») et 38 mm (1 ½»).
- La tête de grill intégrée est livrée avec des supports en acier inoxydable et de la quincaillerie qui permettent à l'appareil de reposer sur le comptoir au-dessus de l'armoire de l'îlot correspondant.

Les comptoirs décoratifs faits de carreaux de céramique posés sur une planche de ciment peuvent être faits pour s'agencer aux couleurs des meubles de votre cour arrière environnante.



AVERTISSEMENT! Ce produit peut vous exposer à des substances chimiques qui comprennent le nickel, connu selon l'État de Californie comme une des causes principales du cancer, ainsi que le bisphénol A, qui pourra causer des malformations congénitales ou autres dangers pour la reproduction selon l'État de Californie. Pour de plus d'informations, veuillez visiter le www.P65Warnings.ca.gov.

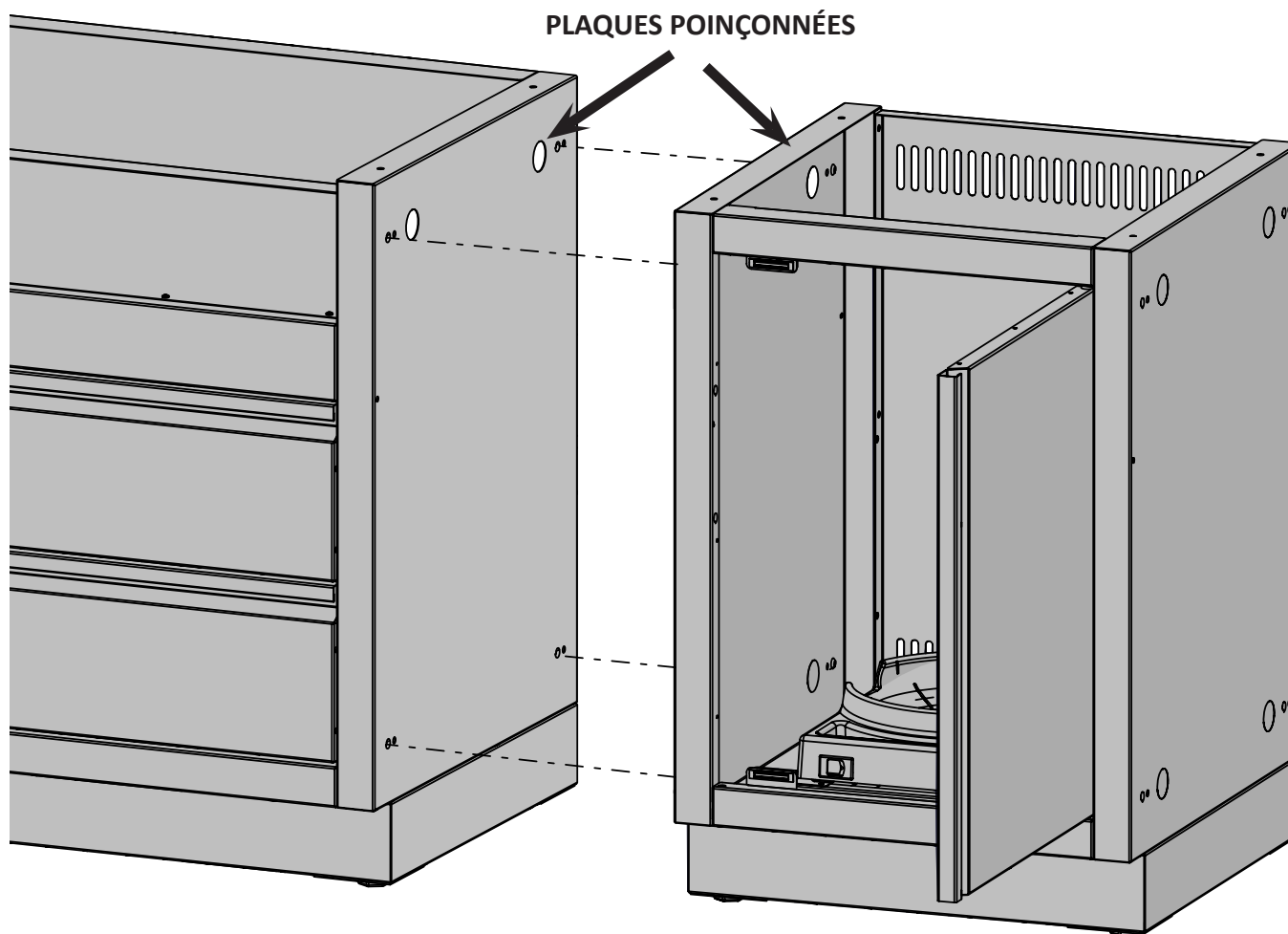
OUTILS REQUIS POUR L'ASSEMBLAGE (outils non inclus)

3/8" (10mm)

INSTALLATION DE L'ALIMENTATION ÉLECTRIQUE ET DE LA TUYAUTERIE POUR LE GAZ

L'installateur est responsable d'acheminer la tuyauterie au gril à gaz. La tuyauterie devrait être installée comme montré dans le manuel du gril encastré. Ne pas utiliser de boyau pour brancher l'appareil. Le branchement doit être fait avec du tuyau rigide, du tuyau de cuivre ou un raccord métallique flexible approuvé. L'installation doit être conforme à la norme CAN B149.1 du Code d'installation du gaz naturel et du propane au Canada, ou à la norme ANSI Z223.1 du National Fuel Gas Code aux États-Unis. Le diamètre minimal recommandé pour le tuyau rigide est de ½ po NPS et celui du tuyau de cuivre de ½ po (selon une longueur de 20 pi.) Si la longueur est plus grande, un diamètre supérieur peut être nécessaire pour être conforme à la norme CAN B149.1 du Code d'installation du gaz naturel et du propane au Canada, ou à la norme ANSI Z223.1 du National Fuel Gas Code aux États-Unis. Consultez le manuel fourni avec le gril à gaz pour obtenir d'autres directives.

Pour faciliter l'installation et le passage de la tuyauterie, des plaques poinçonnées se trouvent dans les panneaux latéraux et au centre de chacun des panneaux arrière. Les plaques poinçonnées situées sur les panneaux latéraux doivent être enlevées avant d'assembler les rangées de cabinets. N'enlevez que les plaques poinçonnées nécessaires pour passer la tuyauterie pour le gaz, la plomberie et les fils électriques.

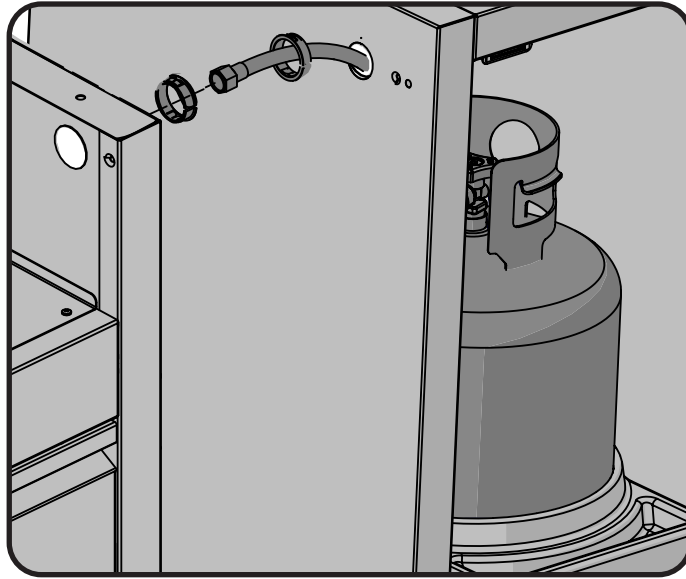


IM-UTC ACHEMINEMENT DU BOYAU D'ALIMENTATION EN PROPANE



x2

N105-0012



FR

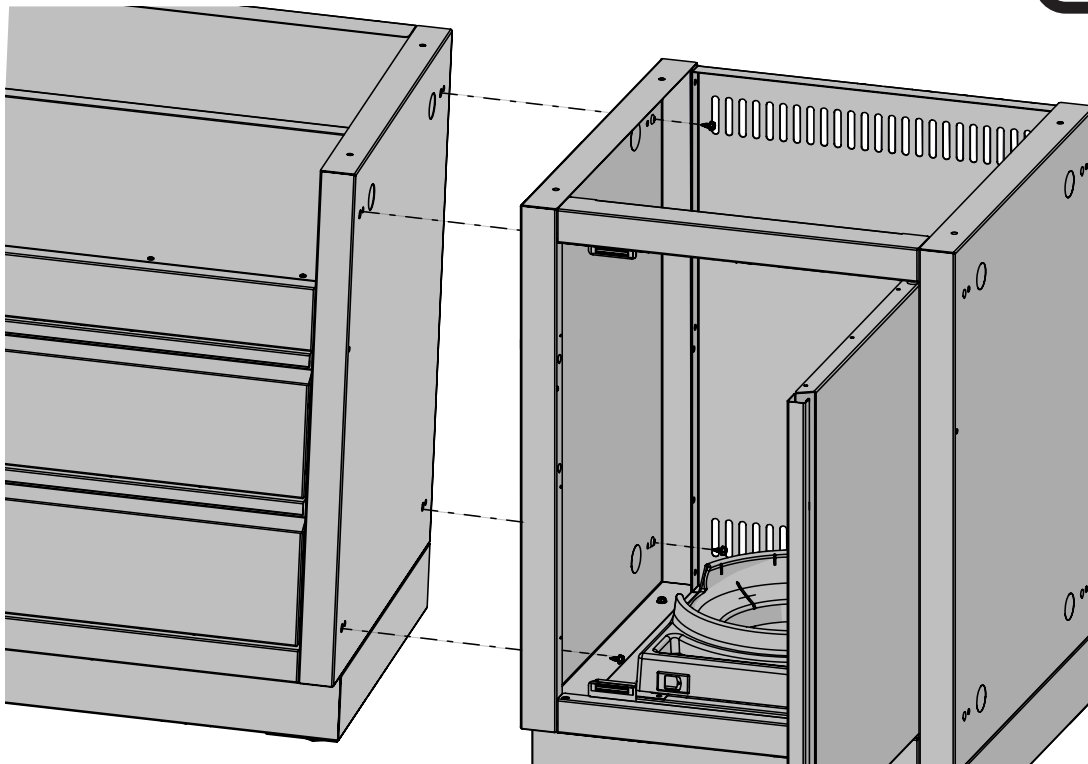
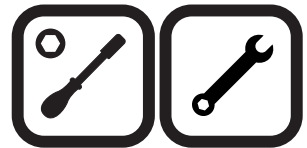
Des plaques ont été poinçonnées dans les panneaux latéraux et arrière pour faciliter l'installation de l'alimentation électrique et de la tuyauterie pour le gaz. Une fois les plaques poinçonnées enlevées, une bague doit y être insérée pour éviter que les conduites de gaz ou les fils électriques ne s'endommagent sur les bords de l'ouverture. L'installation de la tuyauterie pour le gaz doit être faite par un installateur de gaz qualifié.

INSTALLATION DE CABINETS CÔTE À CÔTE



x4

N570-0086



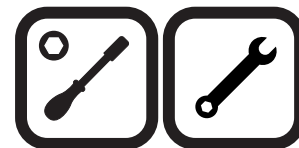
IM-FMPD-CN / FEPD-CN / IM-FMP-CN / FEP-CN PANNEAU D'ATTACHE DE REFRIGERATEUR



N570-0086

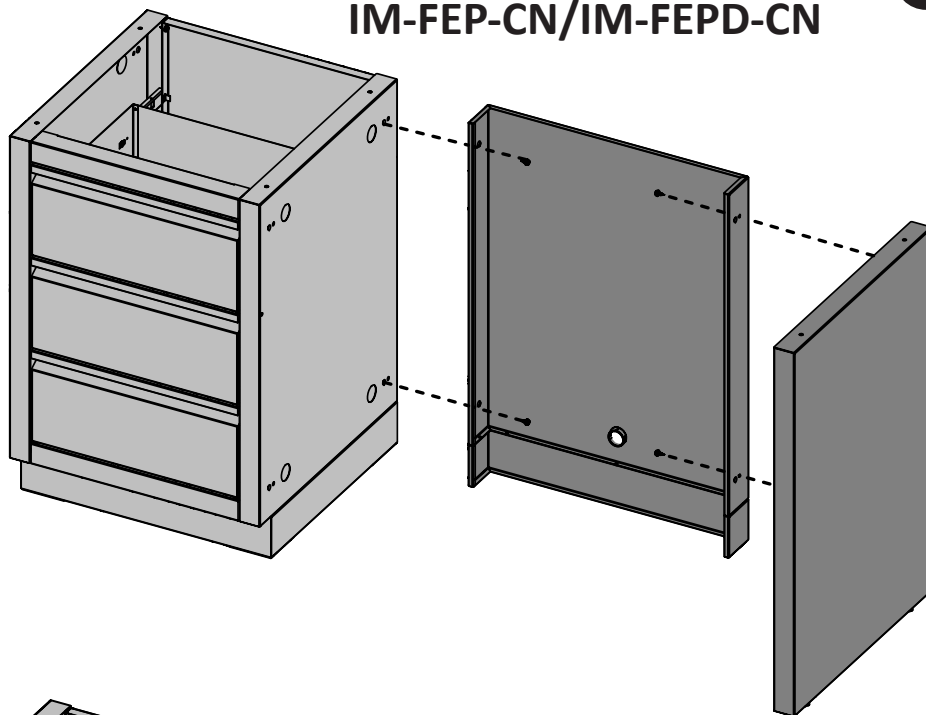


N105-0024

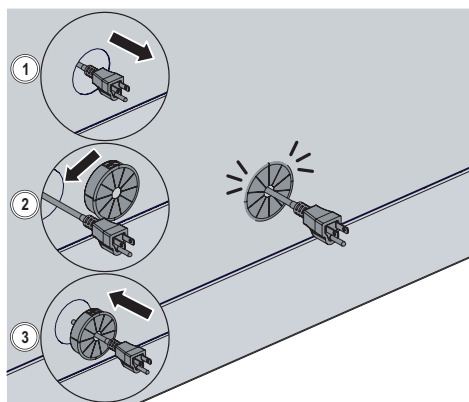
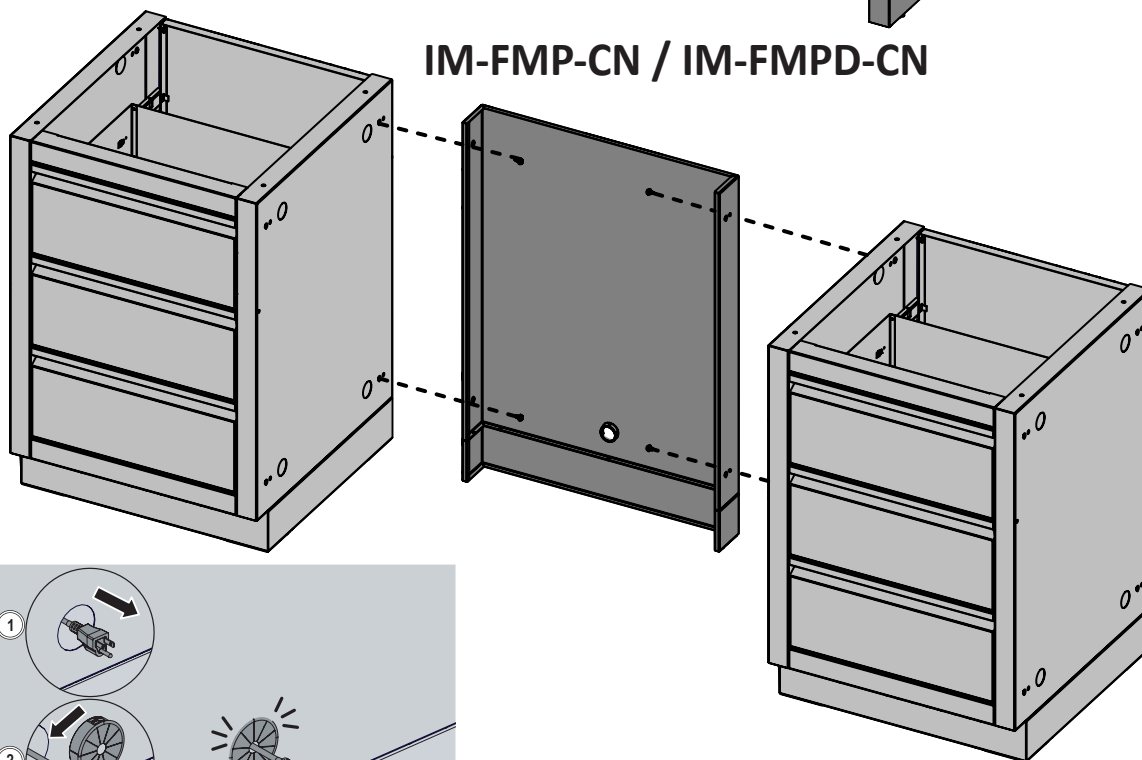


FR

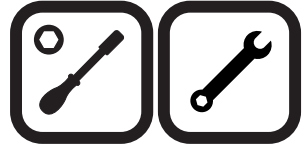
IM-FEP-CN/IM-FEPD-CN



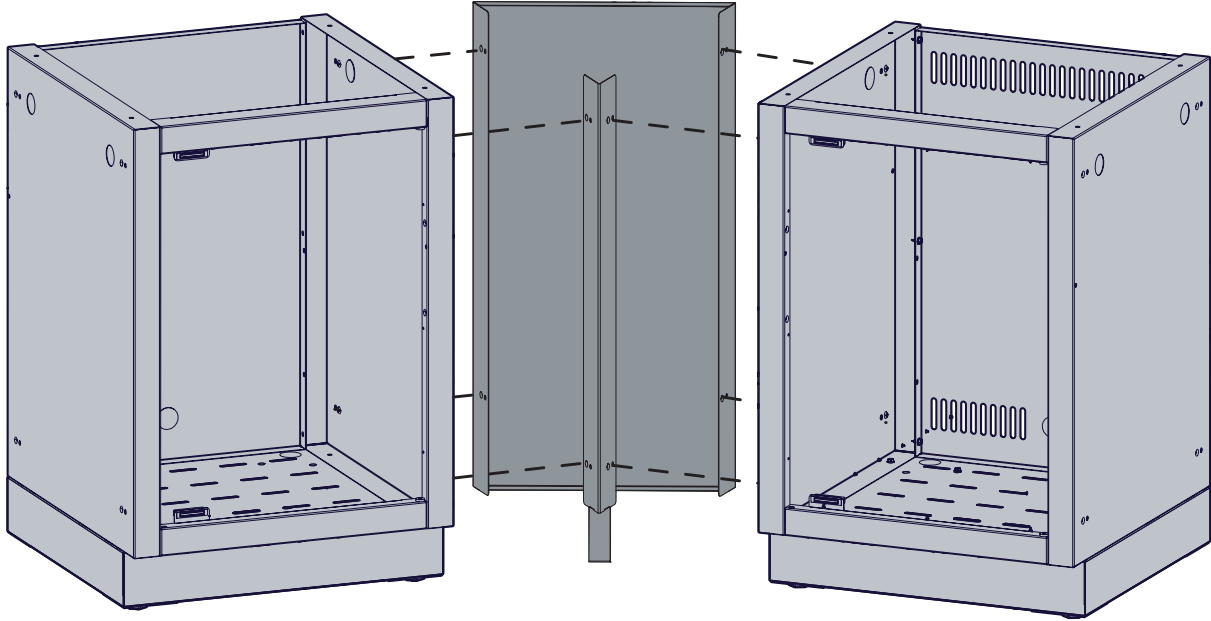
IM-FMP-CN / IM-FMPD-CN



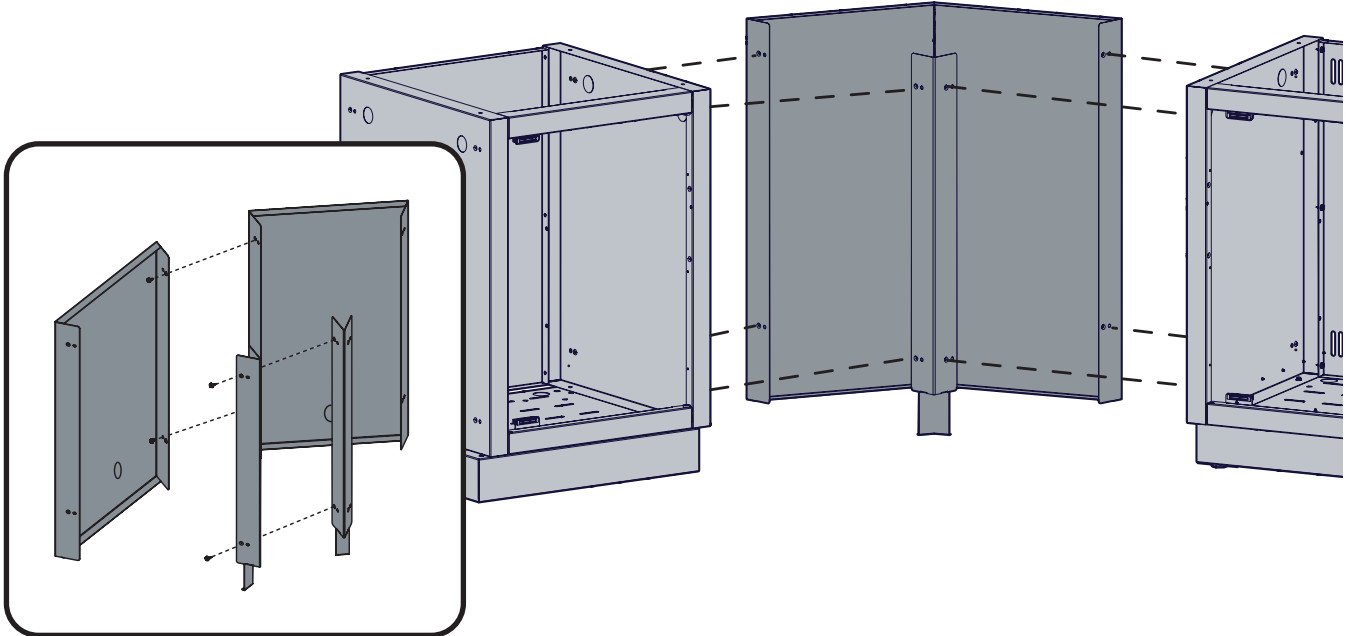
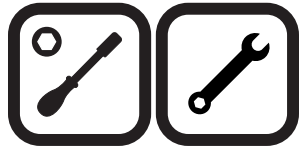
IM-45T RACCORDEMENT DE CABINETS À 45 DEGRÉS



FR



IM-45T X 2 RACCORDEMENT DE CABINETS À 90 DEGRÉS

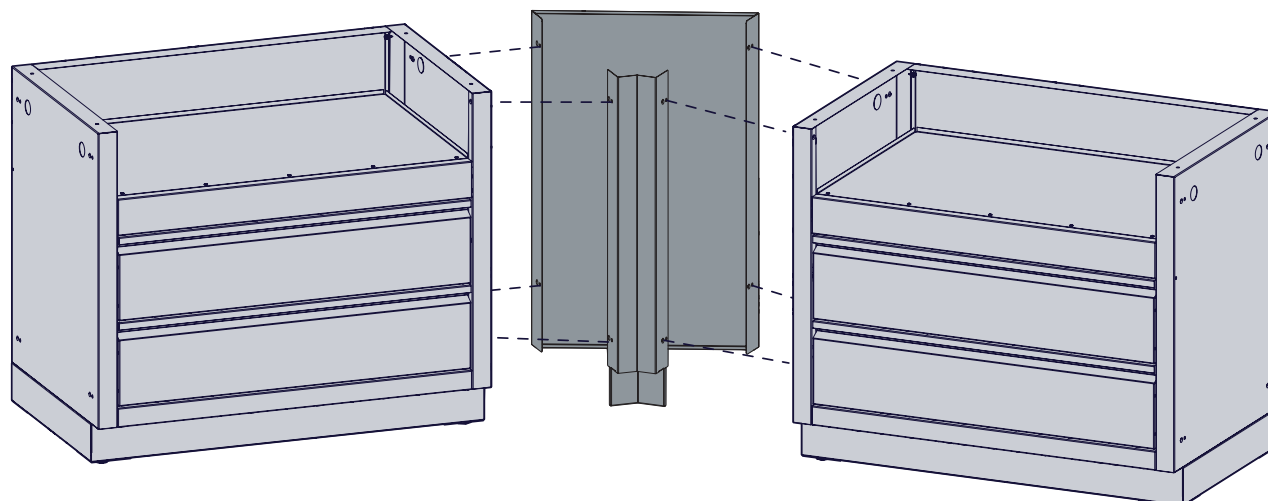


IM-45LT RACCORDEMENT DE CABINETS À 45 DEGRÉS

-  **x8**
N570-0086
-  **x1**
N105-0012

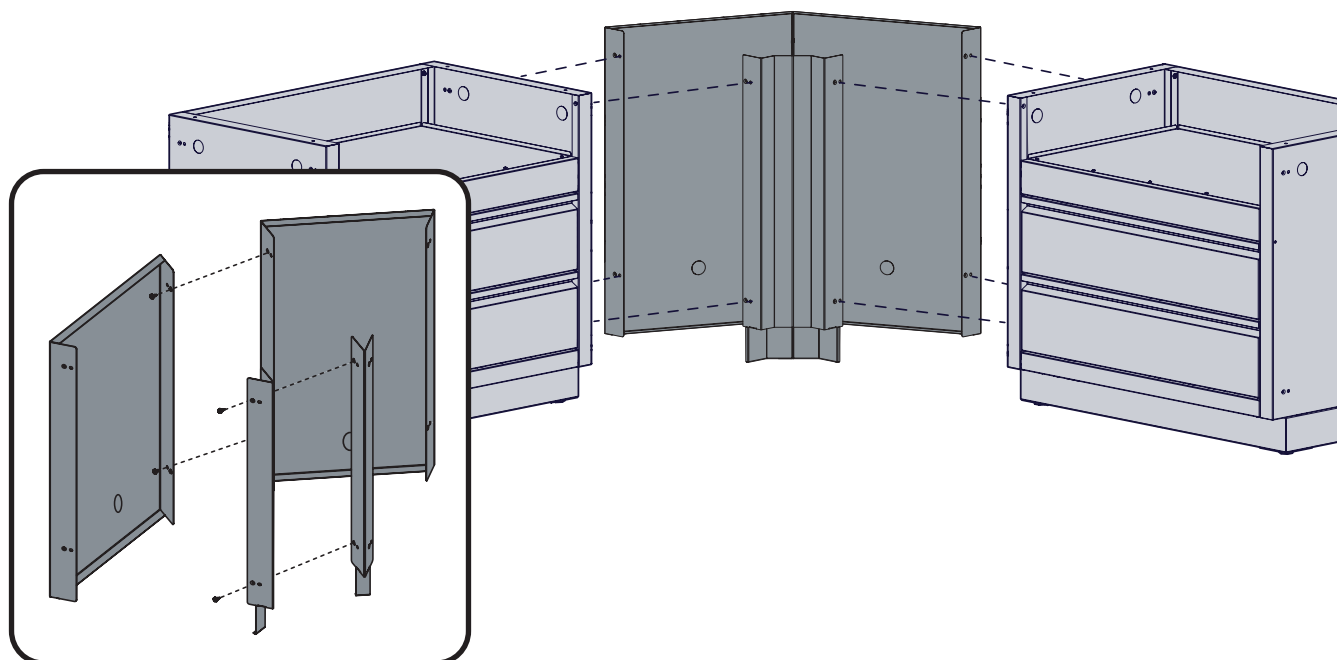
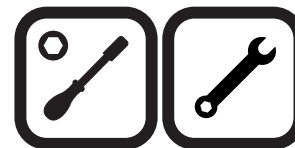


FR

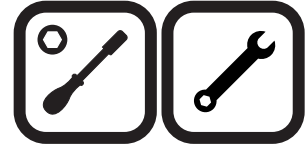


IM-45LT X 2 RACCORDEMENT DE CABINETS À 90 DEGRÉS

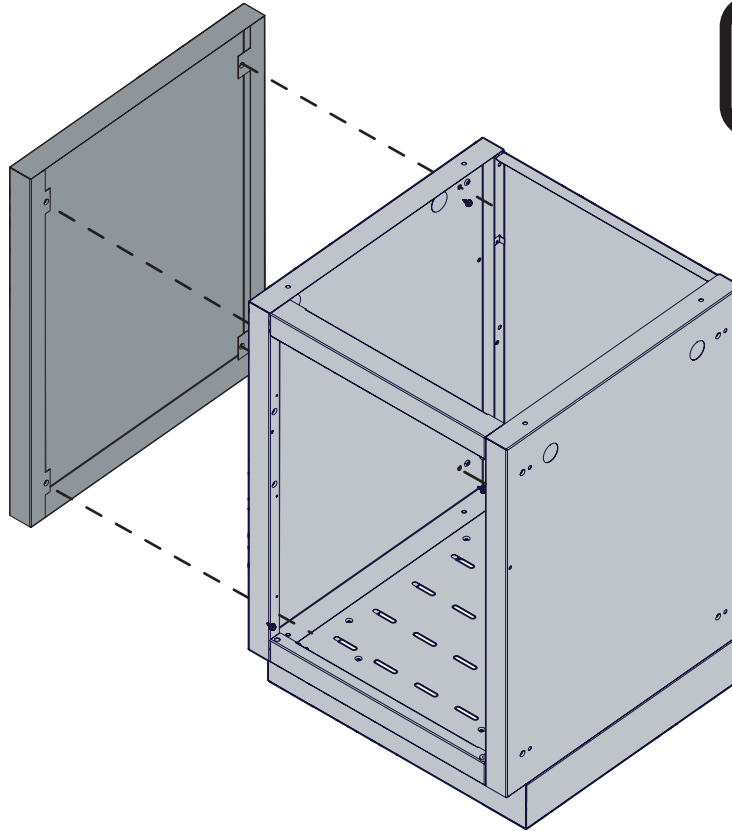
-  **x12**
N570-0086
-  **x2**
N105-0012



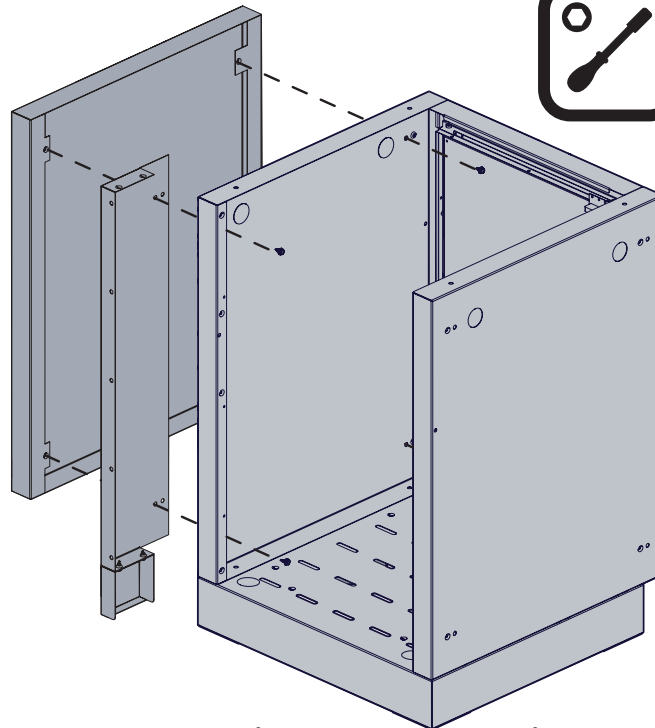
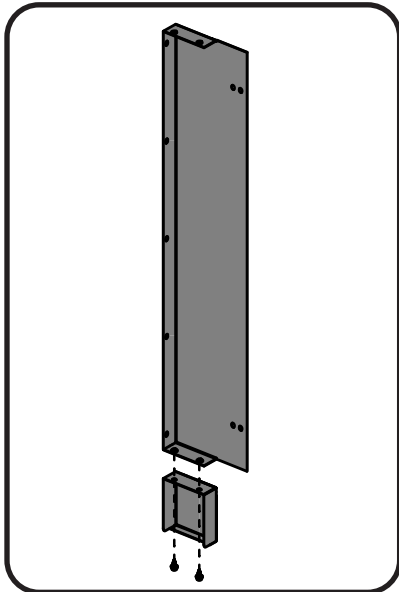
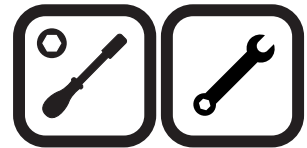
IM-CEP ENSEMBLE DE PANNEAU D'EXTRÉMITÉ



FR



IM-CEP / IM-WSF ENSEMBLE DE PANNEAU D'EXTRÉMITÉ

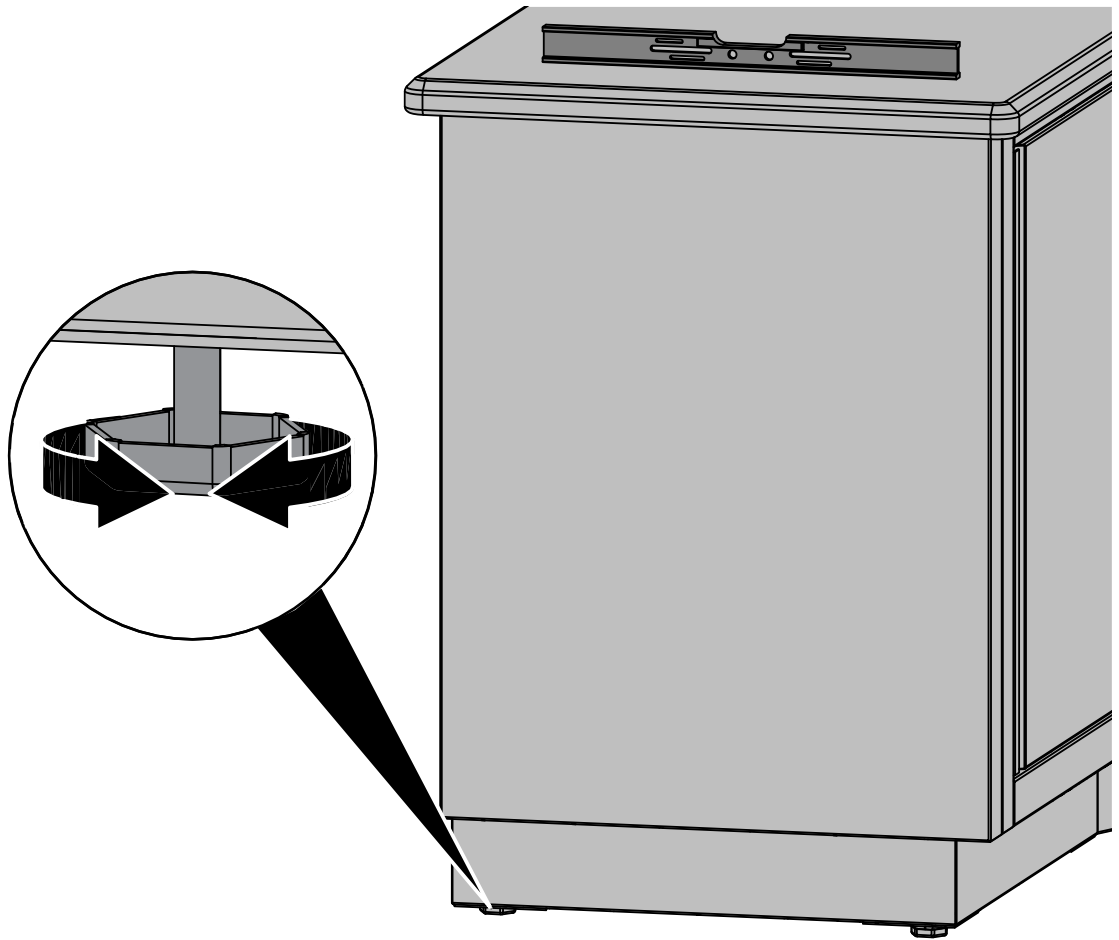


ILLUSTRÉ SANS LE PANNEAU ARRIÈRE

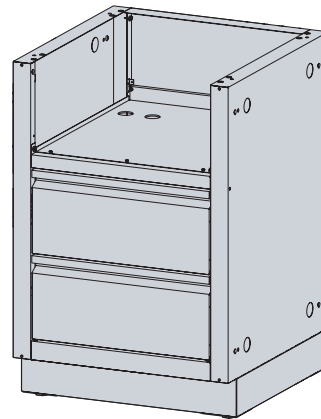
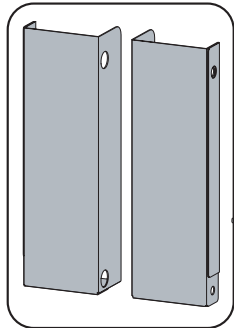


MISE DE NIVEAU DU CABINET

FR

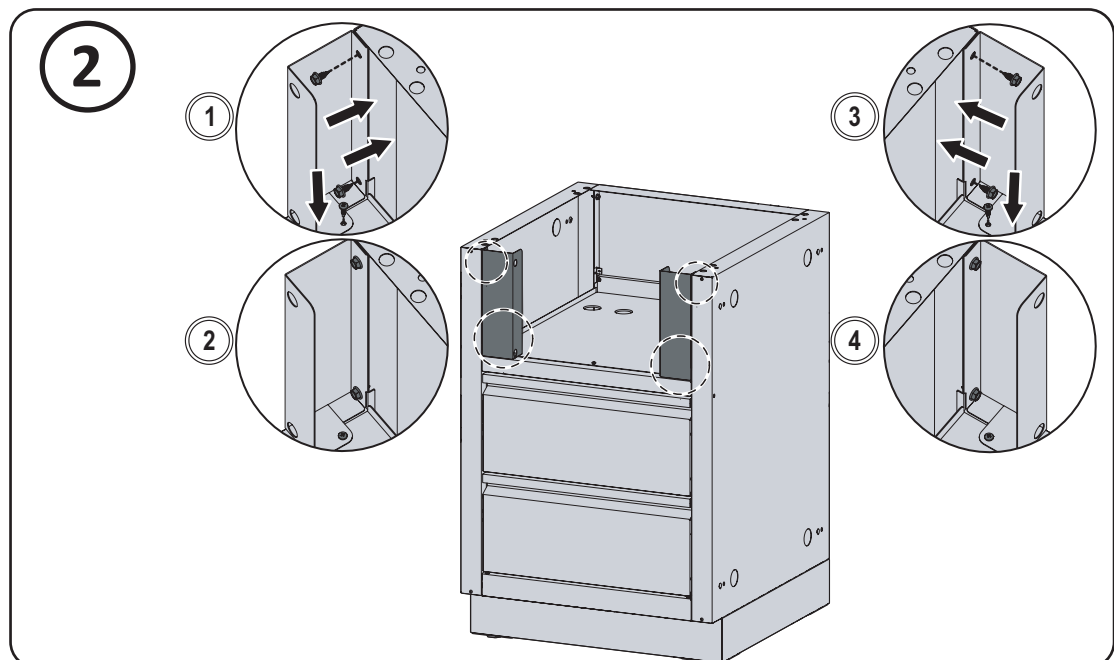
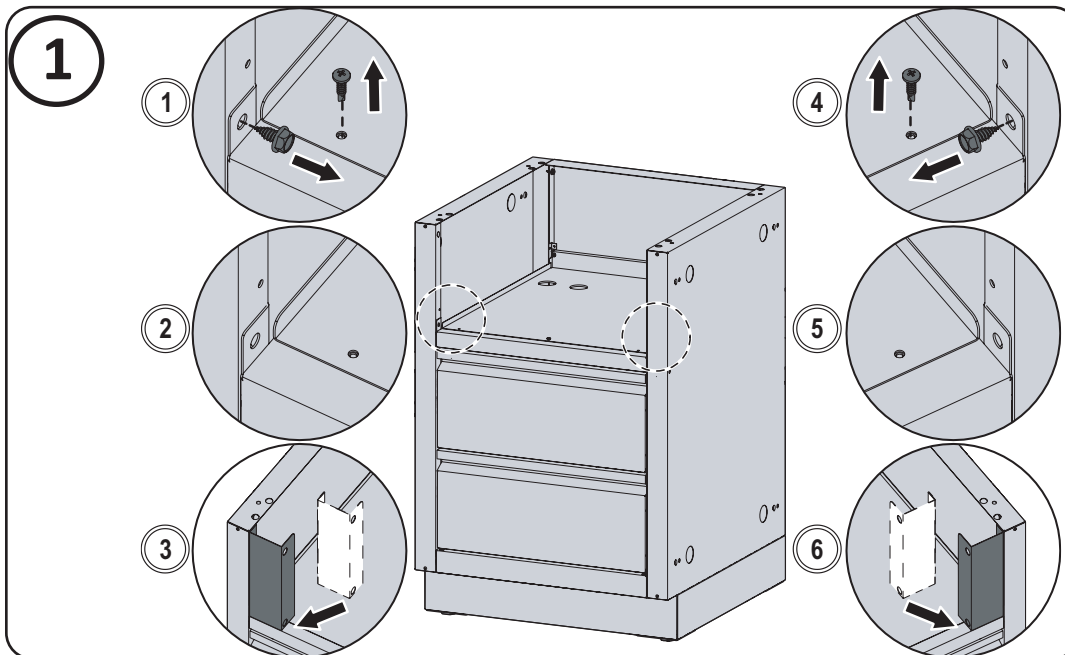


N370-1064 Kit adaptateur BIB18RT vers BIB12RT



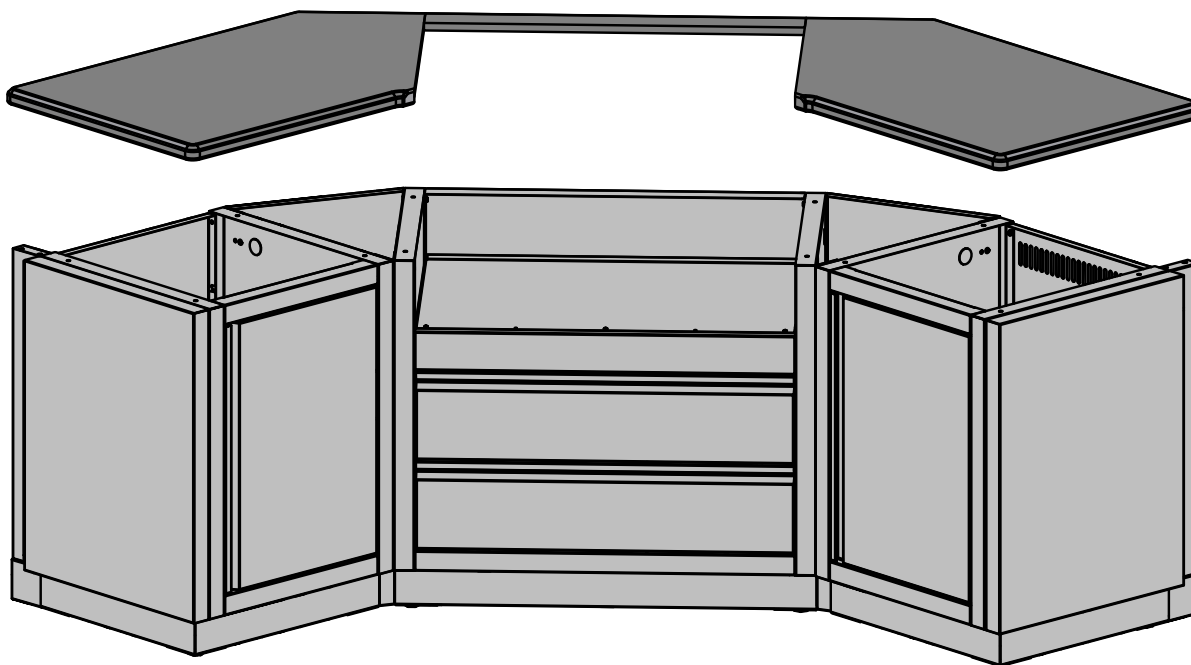
IM-UGC18-CN

FR

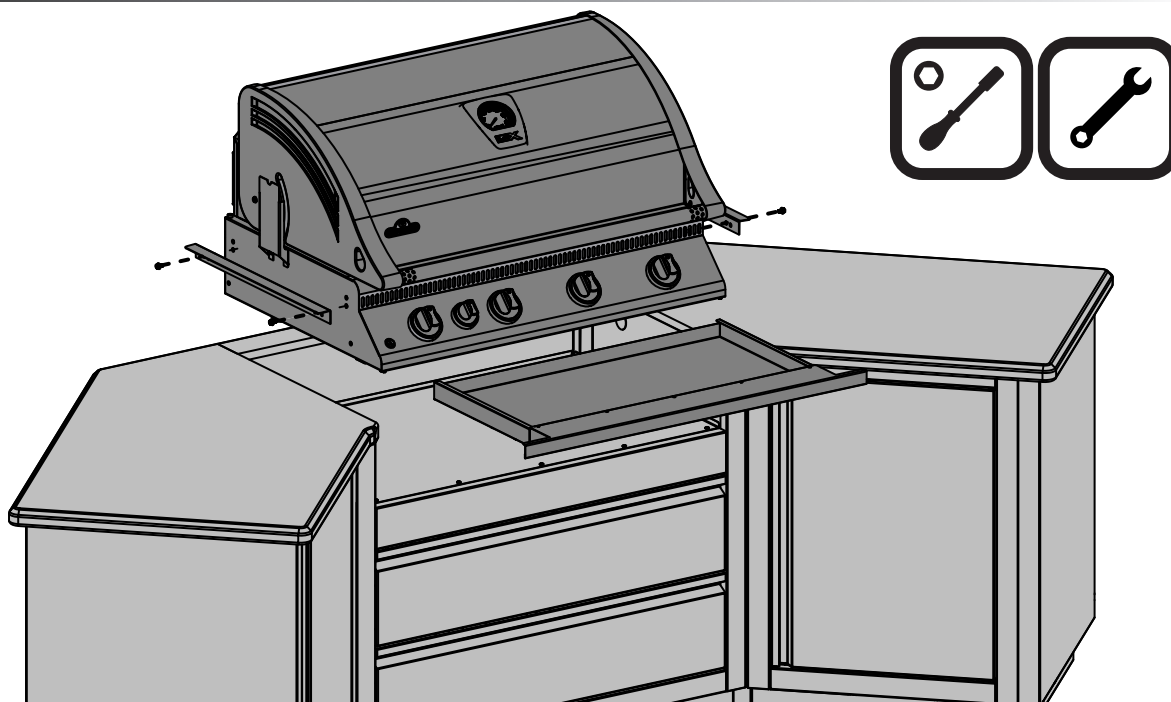


NOUS VOUS RECOMMANDONS D'UTILISER L'IM-45LT LORS DU MONTAGE D'APPAREILS À GAZ DANS DES COINS DE 45°. L'IM-45T PEUT ÊTRE UTILISÉ POUR D'AUTRES ARMOIRES.

FR



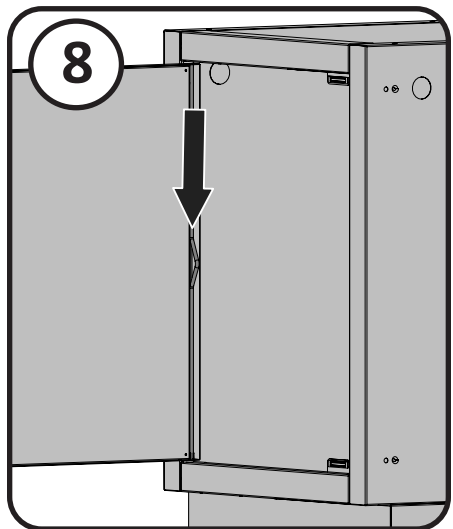
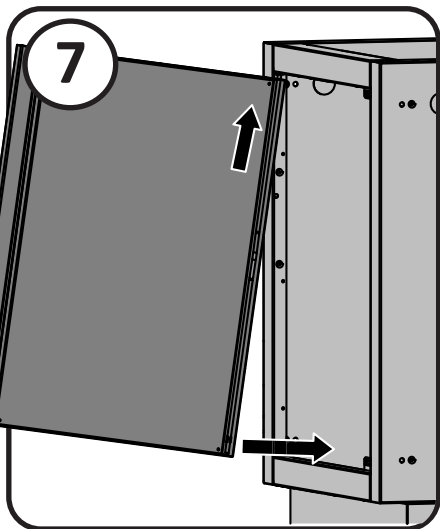
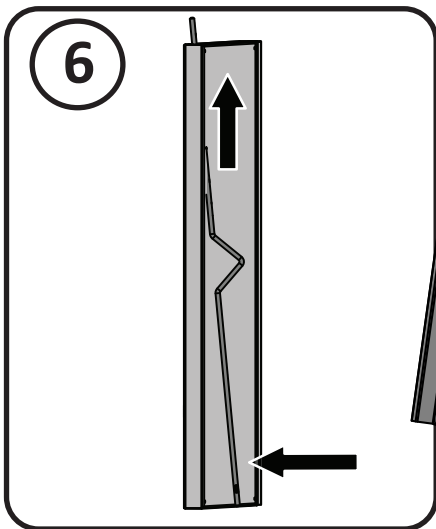
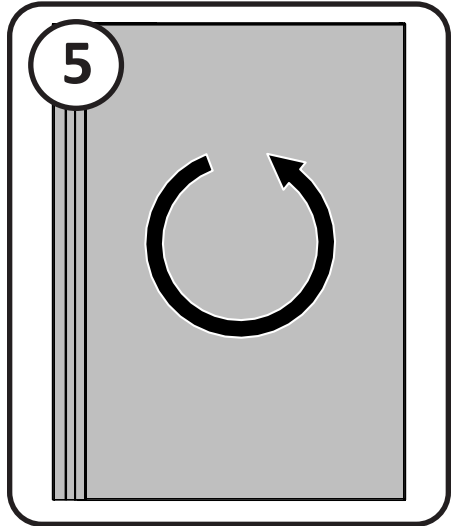
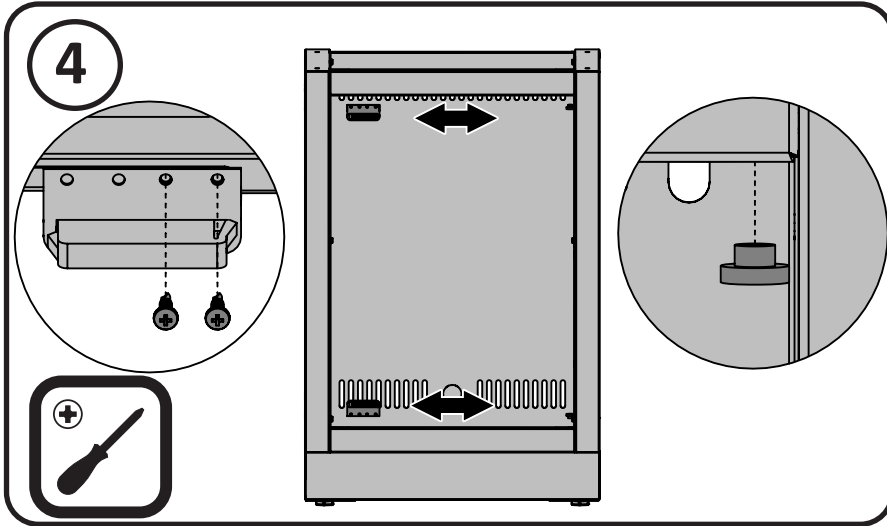
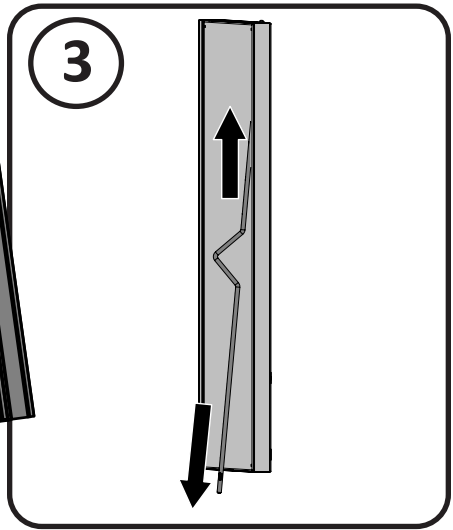
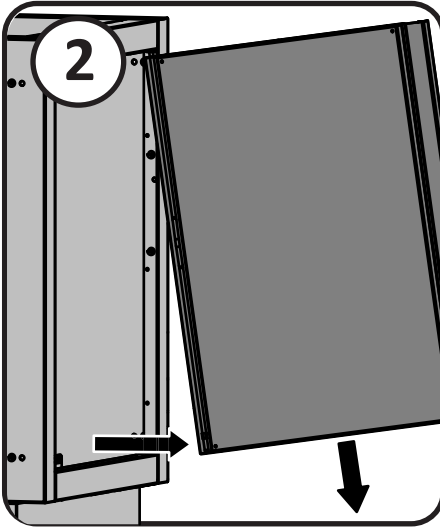
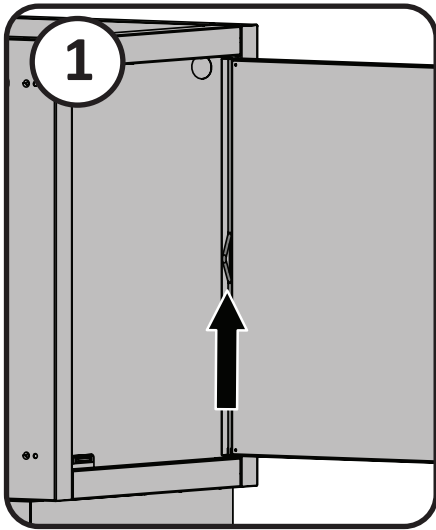
FIXEZ LE COMPTOIR EN RESPECTANT LES DIRECTIVES DU FABRICANT. DES TROUS ONT ÉTÉ MÉNAGÉS DANS LE REBORD SUPÉRIEUR DES PANNEAUX LATÉRAUX POUR Y INSÉRER LES PIÈCES DE FIXATION.



POUR DES DIRECTIVES COMPLÈTES, CONSULTEZ LE MANUEL QUI ACCOMPAGNE LE GRIL ENCASTRÉ. LA TUYAUTERIE POUR LE GAZ DOIT ÊTRE INSTALLÉE PAR UN INSTALLATEUR POUR LE GAZ AUTORISÉ.

PORTE INVERSE

FR



GARDEZ VOTRE REÇU COMME PREUVE D'ACHAT POUR VALIDER VOTRE

Commande de pièces de rechange

Information sur la garantie

MODÈLE : _____

DATE D'ACHAT : _____

NUMÉRO DE SÉRIE : _____

(Inscrivez l'information ici pour y avoir accès facilement.)

Pour commander des pièces de rechange ou faire une réclamation sous garantie, communiquez avec le détaillant Napoléon où le produit a été acheté.

Avant de contacter le détaillant Napoléon, consultez le site Web des grils Napoléon pour obtenir plus de renseignements sur le nettoyage, l'entretien, le dépannage et les pièces à www.napoleon.com

Pour qu'une réclamation soit traitée, l'information suivante est nécessaire :

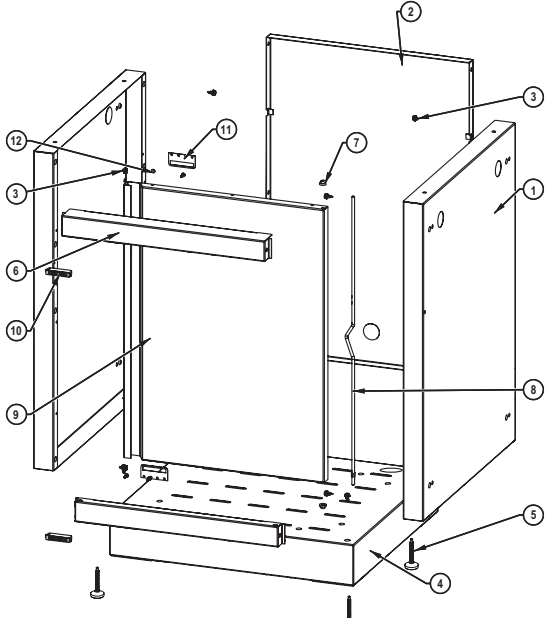
1. Modèle et numéro de série de l'appareil.
2. Numéro de la pièce et description.
3. Description concise du problème (« cassé » n'est pas suffisant).
4. Preuve d'achat (copie de la facture).

Dans certains cas, Napoléon peut vous demander de retourner la pièce à des fins d'inspection avant de fournir une pièce de rechange.

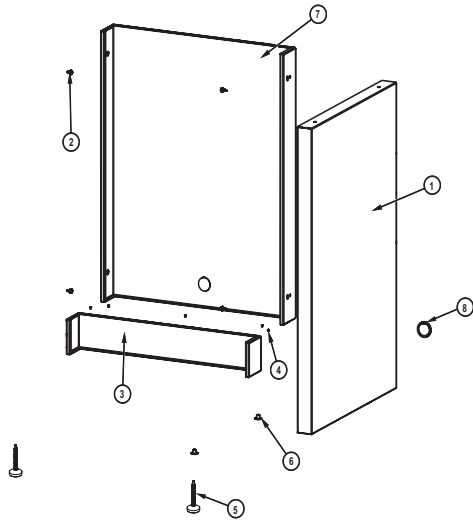
Avant de contacter le détaillant Napoléon, veuillez noter que la garantie ne couvre pas les éléments suivants :

- coûts de transport, de courtage et frais d'exportation;
- coûts de main-d'oeuvre pour l'enlèvement et l'installation de la pièce;
- coûts des appels de service pour diagnostiquer le problème;
- décoloration des pièces en acier inoxydable;
- casse des pièces causée par un manque d'entretien et de nettoyage, ou par l'utilisation de nettoyeurs inappropriés (nettoyant à fourneau ou autres produits chimiques agressifs).

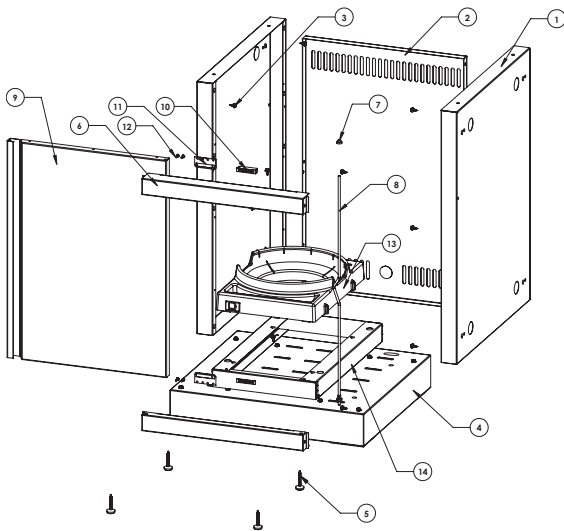
Parts List / Liste des pièces



| # | Part # | Description | IM-UDC |
|----|-----------------|--|--------|
| 1 | N475-0223-CN1HR | side panel / panneau avant | x |
| 2 | N475-0224-CN1HR | back panel / panneau arrière | x |
| 3 | N570-0086 | #14 x 1/2" screw / vis #14 x 1/2" | x |
| 4 | N010-0575-CN1HR | bottom shelf assembly / ensemble de tablette inférieur | x |
| 5 | N570-0130 | leveling foot / mise à niveau du pied | x |
| 6 | N525-0018-CN1HR | top/bottom rail / support superior/inférieur | x |
| 7 | N105-0011 | door bushing / bagues de porte | x |
| 8 | N555-0023 | door pivot rod / tige-pivot de porte | x |
| 9 | N010-0590 | door assembly / ensemble de porte | x |
| 10 | N430-0002 | magnetic catch / loquet magnétique | x |
| 11 | N080-0232-CN1HR | door magnet bracket / support de magnétique | x |
| 12 | N570-0013 | #8 x 5/8" screw / vis #8 x 5/8" | x |
| | N105-0024 | bushing with flaps / douille avec rabat | x |
| | N105-0025 | bushing / bague | x |

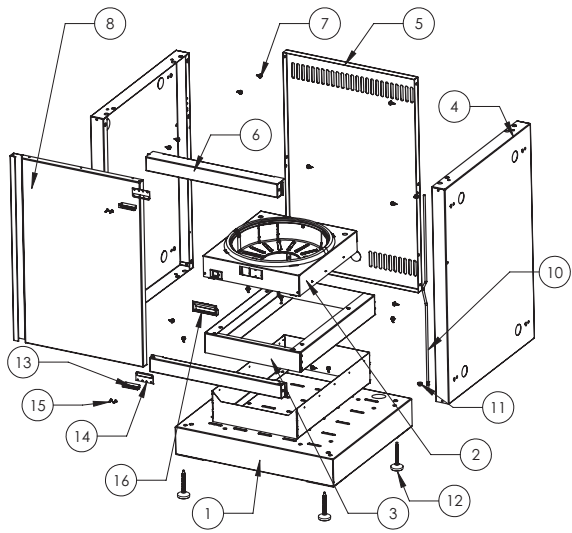


| # | Part # | Description | IM-FMP-CN | IM-FEP-CN | IM-FMPD-CN | IM-FEPD-CN |
|----|-----------------|---|-----------|-----------|------------|------------|
| 1 | N475-0404-CN1HR | side panel / panneau avant | | x | | x |
| 2 | N570-0086 | #14 x 1/2" screw / vis #14 x 1/2" | x | x | x | x |
| 3 | N525-0055-CN1HR | bottom rail / support inférieur | x | x | | |
| | N525-0076-CN1HR | bottom rail / support inférieur | | | x | x |
| 4 | N545-0005 | rivet / rivet | x | x | x | x |
| 5 | N570-0130 | leveling foot / mise à niveau de pied | | x | | x |
| 6 | N450-0046 | nut / écrou | | x | | x |
| 7 | N475-0403-CN1HR | back panel / panneau arrière | x | x | | |
| | N615-0016-CN1HR | back panel / panneau arrière | | | x | x |
| 8 | N105-0012 | 1.5" bushing / bagues de porte 1.5" | x | x | x | x |
| 9 | N105-0024 | bushing with flaps / douille avec rabat | x | x | x | x |
| 10 | N105-0025 | bushing / bague | x | x | x | x |

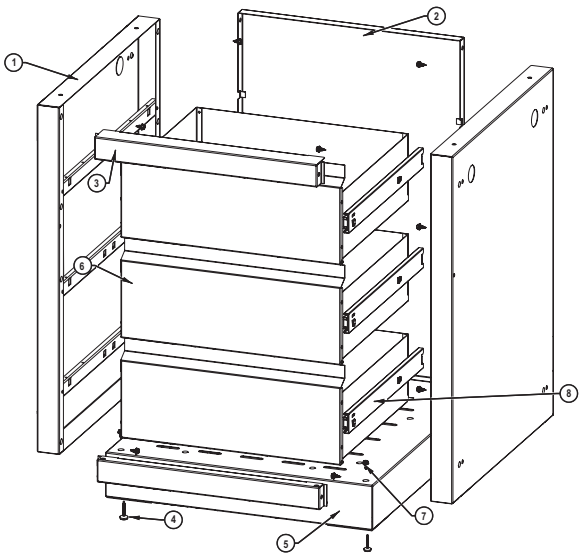


| # | Part # | Description | IM-UTC |
|----|-----------------|---|--------|
| 1 | N475-0223-CN1HR | side panel / panneau avant | x |
| 2 | N475-0237-CN1HR | back panel / panneau arrière | x |
| 3 | N570-0086 | screw , #14 x 1/2" / vis #14 x 1/2" | x |
| 4 | N010-0575-CN1HR | assembly, bottom shelf / ensemble de tablette inférieur | x |
| 5 | N570-0130 | leveling foot / mise à niveau du pied | x |
| 6 | N525-0018-CN1HR | top/bottom rail / support superior/inférieur | x |
| 7 | N105-0011 | door bushing / bagues de porte | x |
| | N105-0012 | 1.5" bushing / bagues de porte 1.5" | x |
| 8 | N555-0023 | door pivot rod / tige-pivot de porte | x |
| 9 | N010-0590 | door assembly / ensemble de porte | x |
| 10 | N430-0002 | magnetic catch / loquet magnétique | x |
| 11 | N080-0232-CN1HR | door magnet bracket / support de magnétique | x |
| 12 | N570-0013 | #8 x 5/8" screw / vis #8 x 5/8" | x |
| 13 | N010-0938 | tank tray / plateau de réservoir | x |
| 14 | N010-0095-CN1HR | tank tray support / support de bac à réservoir | x |

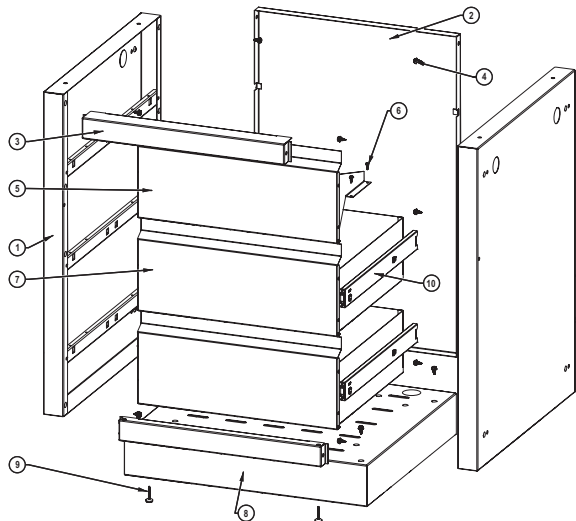
Parts List / Liste des pièces



| # | Part # | Description | IM-UTC-CE |
|----|-----------------|---|-----------|
| 1 | N010-0575-CN1HR | assembly, bottom shelf / ensemble de tablette inférieur | x |
| 2 | N010-1154 | assembly tank tray slide / assy plateau rail support | x |
| 3 | N010-1153-CN1HR | tank tray CE grey / plateau du bonbonne CE gris | x |
| 4 | N475-0223-CN1HR | side panel / panneau avant | x |
| 5 | N475-0237-CN1HR | back panel / panneau arrière | x |
| 6 | N525-0018-CN1HR | top/bottom rail / support superior/inférieur | x |
| 7 | N570-0086 | screw , #14 x 1/2" / vis #14 x 1/2" | x |
| 8 | N010-0590-CN | door assembly / ensemble de porte | x |
| 10 | N555-0023 | door pivot rod / tige-pivot de porte | x |
| 11 | N105-0011 | door bushing / bagues de porte | x |
| 12 | N570-0130 | leveling foot / mise à niveau du pied | x |
| 13 | N430-0002 | magnetic catch / loquet magnétique | x |
| 14 | N080-0232-CN1HR | door magnet bracket / support de magnétique | x |
| 15 | N570-0013 | #8 x 5/8" screw / vis #8 x 5/8" | x |
| 16 | N325-0016 | handle / poignée | x |

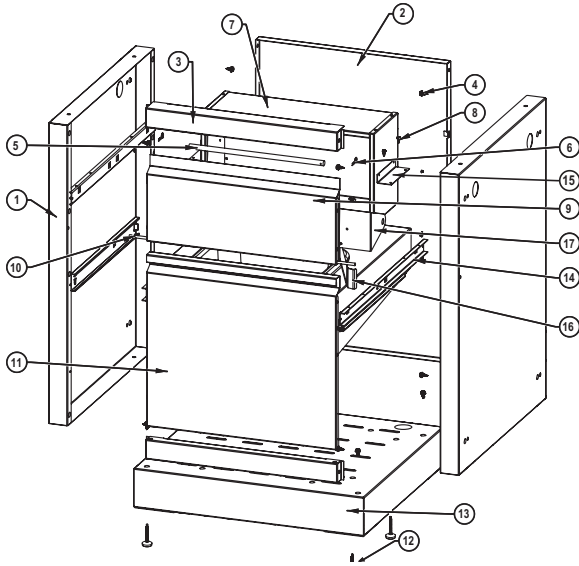


| # | Part # | Description | IM-3DC |
|---|-----------------|---|--------|
| 1 | N010-0678-CN | side panel / panneau avant | x |
| 2 | N475-0224-CN1HR | back panel / panneau arrière | x |
| 3 | N525-0018-CN1HR | top/bottom rail / support superior/inférieur | x |
| 4 | N570-0130 | leveling foot / mise à niveau du pied | x |
| 5 | N010-0575-CN1HR | assembly, bottom shelf / ensemble de tablette inférieur | x |
| 6 | N010-0677-CN | drawer assembly / assemblage du tiroir | x |
| 7 | N570-0086 | #14 x 1/2" screw / vis #14 x 1/2" | x |
| 8 | N610-0010 | drawer slide / glisser, tiroir | x |
| | N105-0024 | bushing with flaps / douille avec rabat | x |
| | N105-0025 | bushing / bague | x |

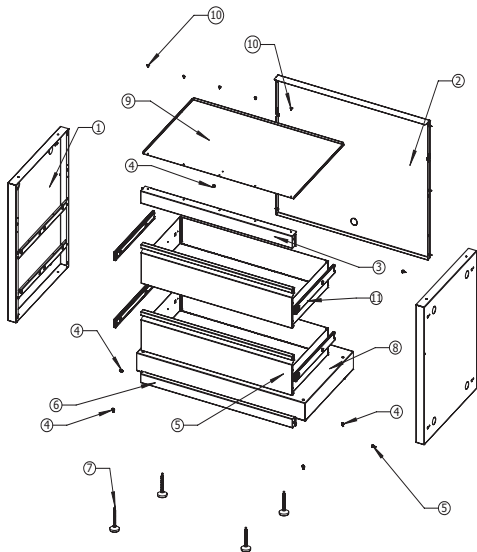


| # | Part # | Description | IM-2DC |
|----|-----------------|--|--------|
| 1 | N010-0678-CN | side panel / panneau avant | x |
| 2 | N475-0224-CN1HR | back panel / panneau arrière | x |
| 3 | N525-0018-CN1HR | top/bottom rail / support superior/inférieur | x |
| 4 | N570-0086 | #14 x 1/2" screw / vis #14 x 1/2" | x |
| 5 | N010-0574 | false drawer front / avant faux de tiroir | x |
| 6 | N570-0008 | #8 x 1/2" screw / vis #8 x 1/2" | x |
| 7 | N010-0677-CN | drawer assembly / assemblage du tiroir | x |
| 8 | N010-0575-CN1HR | bottom shelf assembly / ensemble de tablette inférieur | x |
| 9 | N570-0130 | leveling foot / mise à niveau du pied | x |
| 10 | N610-0010 | drawer slide / glisser tiroir | x |
| | N105-0024 | bushing with flaps / douille avec rabat | x |
| | N105-0025 | bushing / bague | x |

Parts List / Liste des pièces

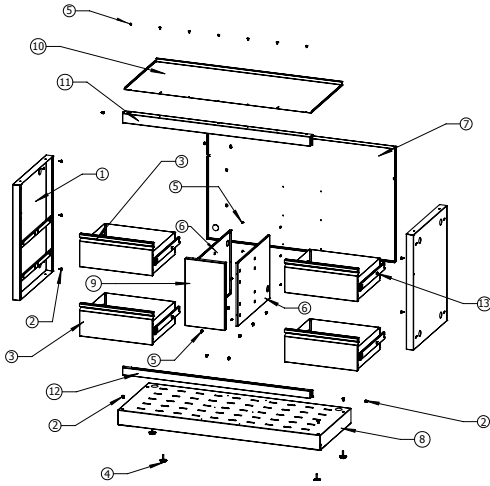


| # | Part # | Description IM-WDC | |
|----|-----------------|---|---|
| 1 | N010-0678-CN | side panel / panneau avant | x |
| 2 | N475-0224-CN1HR | back panel / panneau arrière | x |
| 3 | N525-0018-CN1HR | top/bottom rail / support superior/inferieur | x |
| 4 | N570-0086 | #14 x 1/2" screw / vis #14 x 1/2" | x |
| 5 | N555-0032 | paper towel rod / tige pour essuie-tout | x |
| 6 | N485-0012 | cotter pin / vis | x |
| 7 | N010-0576-CN1HR | paper towel housing assembly / assemblage de la porte du compartiment à essuie-tout | x |
| 8 | N570-0008 | #8 x 1/2" screw / vis #8 x 1/2" | x |
| 9 | N010-0578 | paper towel door assembly / assemblage de compartiment pour essuie-tout | x |
| 10 | N555-0031 | pivot rod / tige-pivot | x |
| 11 | N010-0679-CN | drawer assembly, trash can / assemblage du tiroir, panier à déchets | x |
| 12 | N570-0130 | leveling foot / mise à niveau du pied | x |
| 13 | N010-0575-CN1HR | assembly, bottom shelf / ensemble de tablette inférieur | x |
| 14 | N610-0010 | drawer slide / glisser tiroir | x |
| 15 | N080-0228-CN1HR | paper towel housing bracket / support tiroir de serviette en papier | x |
| 16 | N080-0230-CN1HR | door stop bracket / support cale-porte | x |
| 17 | N160-0018 | paper towel bracket / support de serviette en papier | x |
| | N185-0004 | waste bin / poubelle | x |
| | N105-0024 | bushing with flaps / douille avec rabat | x |
| | N105-0025 | bushing / bague | x |



| # | 665 | 730 | Description | |
|----|-----------------|-----------------|--|---|
| 1 | N010-0678-CN | N010-0678-CN | side panel / panneau avant | x |
| 2 | N475-0392-CN1HR | N475-0233-CN1HR | back panel / panneau arrière | x |
| 3 | N525-0020-CN1HR | N525-0021-CN1HR | top rail / support superior | x |
| 4 | N570-0086 | N570-0086 | #14 x 1/2" screw / vis #14 x 1/2" | x |
| 5 | N010-0682-CN | N010-0683-CN | drawer assembly / assemblage du tiroir | x |
| 6 | N525-0023-CN1HR | N525-0024-CN1HR | bottom rail / support inférieur | x |
| 7 | N570-0130 | N570-0130 | leveling foot / mise à niveau du pied | x |
| 8 | N010-0581-CN1HR | N010-0583-CN1HR | bottom shelf / tablette inférieur | x |
| 9 | N585-0051-CN1HR | N585-0052-CN1HR | drawer dripshield / écran anti-égouttement pour tiroir | x |
| 10 | N570-0013 | N570-0013 | #8 x 5/8" screw / vis #14 x 5/8" | x |
| 11 | N610-0010 | N610-0010 | drawer slide / glisser tiroir | x |
| | N105-0012 | N105-0012 | 1.5" bushing / bagues de porte 1.5" | x |
| | N485-0007 | N485-0007 | black plug / bouchon noir | x |
| | N105-0024 | | bushing with flaps / douille avec rabat | x |
| | N105-0025 | | bushing / bague | x |

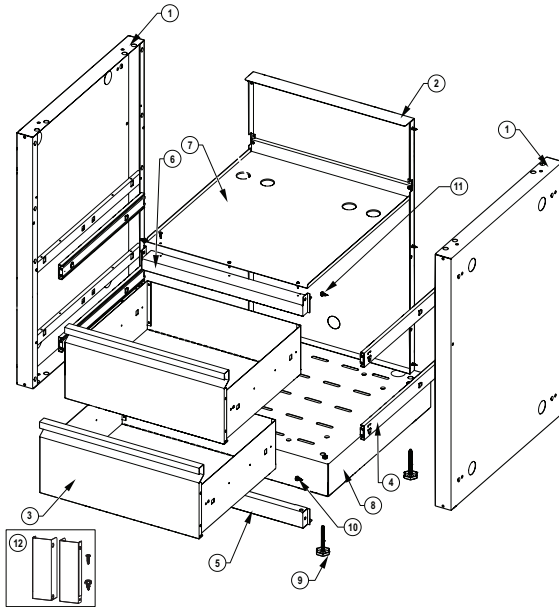
Parts List / Liste des pièces



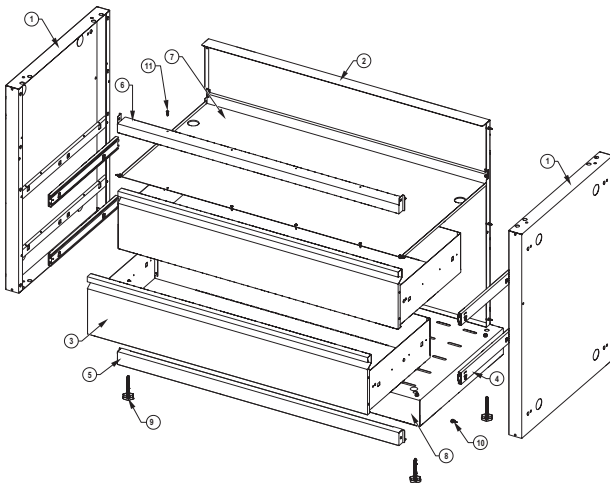
| # | Description | 825 |
|----|--|-----|
| 1 | N010-0678-CN side panel left / panneau avant gauche | x |
| 2 | N570-0086 screw, #14 x 1/2" / vis #14 x 1/2" | x |
| 3 | N010-0677-CN drawer assembly / assemblage du tiroir | x |
| 4 | N570-0130 leveling foot / mise à niveau du pied | x |
| 5 | N570-0013 screw, #8 X 5/8" / vis #8 X 5/8" | x |
| 6 | N475-0260-CN1HR divider / diviseur | x |
| 7 | N475-0393-CN1HR back panel / panneau arrière | x |
| 8 | N010-0839-CN1HR bottom shelf / tablette inférieur | x |
| 9 | N475-0394 front fascia / fascia avant | x |
| 10 | N585-0099-CN1HR drawer dripshield / écran anti-égouttement pour tiroir | x |
| 11 | N525-0061-CN1HR top rail / support supérieur | x |
| 12 | N525-0052-CN1HR bottom rail / support inférieur | x |
| 13 | N610-0010 drawer slide / glisser tiroir | x |
| | N105-0012 1.5" bushing / bagues de porte 1.5" | x |
| | N105-0024 bushing with flaps / douille avec rabat | x |
| | N105-0025 bushing / bague | x |

| # | 245/300 | 485-1 | 500 | Description | |
|----|-----------------|-----------------|-----------------|--|---|
| 1 | N010-0678-CN | N010-0678CN | N010-0678-CN | side panel left / panneau avant gauche | x |
| 2 | N475-0224-CN1HR | N475-0550-CN1HR | N475-0550-CN1HR | back panel / panneau arrière | x |
| 3 | N525-0031-CN1HR | N525-0042-CN1HR | N525-0041-CN1HR | top rail / support supérieur | x |
| 4 | N570-0086 | N570-0086 | N570-0086 | #14 x 1/2" screw / vis #14 x 1/2" | x |
| 5 | N010-0677CN | N010-0745-CN | N010-0745-CN | drawer assembly / assemblage du tiroir | x |
| 6 | N525-0018-CN1HR | N525-0040-CN1HR | N525-0040-CN1HR | bottom rail / support inférieur | x |
| 7 | N570-0130 | N570-0130 | N570-0130 | leveling foot / mise à niveau du pied | x |
| 8 | N010-0575-CN1HR | N010-0744-CN1HR | N010-0744-CN1HR | bottom shelf / tablette inférieur | x |
| 9 | N585-0062-CN1HR | N585-0085-CN1HR | N585-0084-CN1HR | drawer dripshield / écran anti-égouttement pour tiroir | x |
| 10 | N570-0013 | N570-0013 | N570-0013 | #8 x 1/2" screw / vis #8 x 1/2" | x |
| | N610-0010 | N610-0010 | N610-0010 | slide, drawer / glisser, tiroir | x |
| | N485-0007 | N485-0007 | N485-0007 | black plug / bouchon noir | x |
| | N105-0012 | N105-0012 | N105-0012 | 1.5" bushing / bagues de porte 1.5" | x |
| | N710-0066 | | | dripan, replaces pan included with BI300 / tiroir d'égouttement, remplace le tiroir inclus avec le BI300 | x |
| | N105-0024 | | N105-0024 | bushing with flaps / douille avec rabat | x |
| | N105-0025 | | N105-0025 | bushing / bague | x |

Parts List / Liste des pièces



| # | Part # | Description | BIB18 |
|----|-----------------|---|-------|
| 1 | N010-1416-CN | side panel / panneau avant | x |
| 2 | N475-0549-CN1HR | back panel / panneau arrière | x |
| 3 | N010-0677-CN | drawer assembly / assemblage du tiroir | x |
| 4 | N610-0010 | drawer slide / glisser tiroir | x |
| 5 | N525-0018-CN1HR | top/bottom rail/ support superior/inférieur | x |
| 6 | N525-0070-CN1HR | top rail / support superior | x |
| 7 | N585-0166-CN1HR | drawer shield / bouclier de tiroir | x |
| 8 | N010-0575-CN1HR | bottom shelf / tablette inférieure | x |
| 9 | N570-0130 | leveling foot / mise à niveau du pied | x |
| 10 | N570-0013 | screw, #8 X 5/8" / vis #8 X 5/8" | x |
| 11 | N570-0086 | screw, #14 x 1/2" / vis #14 x 1/2" | x |
| | N105-0012 | 1.5" bushing / bagues de porte 1.5" | x |
| 12 | N370-1064 | kit adapter / kit adaptateur | |



| # | Part # | Description | BIG32 | BIG38 | BIG44 |
|----|-----------------|--|-------|-------|-------|
| 1 | N010-1416-CN | side panel / panneau avant | x | x | x |
| 2 | N475-0550-CN1HR | back panel / panneau arrière | x | | |
| | N475-0551-CN1HR | back panel / panneau arrière | | x | |
| | N475-0553-CN1HR | back panel / panneau arrière | | | x |
| 3 | N010-0745-CN | drawer assembly / assemblage du tiroir | x | | |
| | N010-1412-CN1HR | drawer assembly / assemblage du tiroir | | x | |
| | N010-1414-CN1HR | drawer assembly / assemblage du tiroir | | | x |
| 4 | N610-0010 | drawer slide / glisser tiroir | x | x | x |
| 5 | N525-0040-CN1HR | bottom rail / support inférieur | x | | |
| | N525-0073-CN1HR | bottom rail / support inférieur | | x | |
| | N525-0075-CN1HR | bottom rail / support inférieur | | | x |
| 6 | N525-0071-CN1HR | top rail / support superior | x | | |
| | N525-0072-CN1HR | top rail / support superior | | x | |
| | N525-0074-CN1HR | top rail / support superior | | | x |
| 7 | N585-0167-CN1HR | drawer shield / bouclier de tiroir | x | | |
| | N585-0164-CN1HR | drawer shield / bouclier de tiroir | | x | |
| | N585-0165-CN1HR | drawer shield / bouclier de tiroir | | | x |
| 8 | N010-0744-CN1HR | bottom shelf / tablette inférieure | x | | |
| | N010-1411-CN1HR | bottom shelf / tablette inférieure | | x | |
| | N010-1413-CN1HR | bottom shelf / tablette inférieure | | | x |
| 9 | N570-0130 | leveling foot / mise à niveau du pied | x | x | x |
| 10 | N570-0013 | screw, #8 X 5/8" / vis #8 X 5/8" | x | x | x |
| 11 | N570-0086 | screw, #14 x 1/2" / vis #14 x 1/2" | x | x | x |
| | N105-0012 | 1.5" bushing / bagues de porte 1.5" | x | x | x |



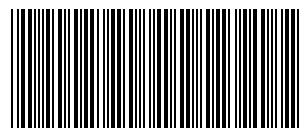




Napoleon products are protected by one or more U.S. and Canadian and/or foreign patents or patents pending.

Les produits de Napoléon sont protégés par un ou plusieurs brevets américains, canadiens et (ou) étrangers ou par des brevets en instance.

www.napoleon.com



N415-0416

