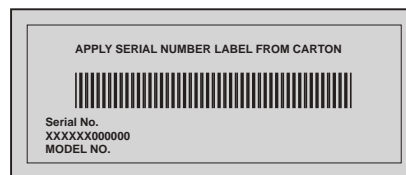
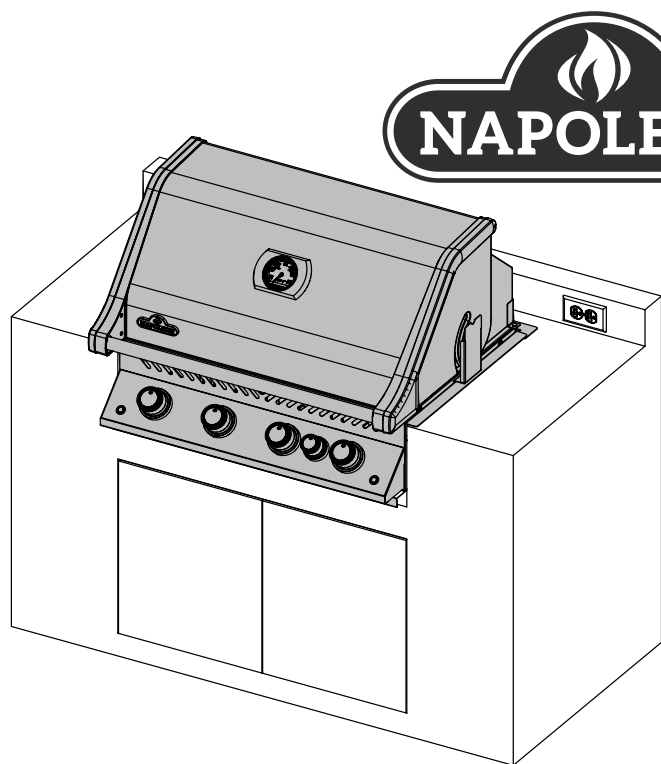


This gas grill must be used only outdoors in a well-ventilated space and must not be used inside a building, garage, screened-in porch, gazebo or any other enclosed area.

EN

DE
PG.33



DO NOT DISCARD
BIPRO 500



WARNING! CABINET FRAME, CABINET AND COUNTER TOP MUST BE MADE FROM NON-COMBUSTIBLE MATERIAL WHEN THE APPLIANCE IS NOT INSTALLED WITH THE ZERO CLEARANCE LINER PART NO. BI-323-ZCL.



DANGER

IF YOU SMELL GAS:

- Shut off gas to the appliance.
- Extinguish any open flame.
- Open lid.
- If odor continues, keep away from the appliance and immediately call your gas supplier or fire department.



WARNING

Do not try to light this appliance without reading the "LIGHTING" instructions section of this manual.

Do not store or use gasoline or other flammable liquids or vapors in the vicinity of this or any other appliance. An L.P. cylinder not connected for use must not be stored in the vicinity of this or any other appliance. If the information in these instructions is not followed exactly, a fire or explosion may result, causing property damage, personal injury or death.

Adults and especially children should be alerted to the hazards of high surface temperatures. Young children should be supervised near the gas grill.

Notice to Installer: Leave these instructions with the grill owner for future reference.



N415-0541CE-GB-DE JULY 15.20

Wolf Steel Europe BV
De Riemsdijk 22, 4004 LC, Tiel
The Netherlands
eu.info@napoleon.com

www.napoleon.com

Napoleon President's Limited Lifetime Warranty



NAPOLEON products are designed with superior components and materials, and are assembled by trained craftsmen who take great pride in their work. The burner and valve assembly are leak tested and test-fired at a quality test station. This grill has been thoroughly inspected by a qualified technician before packaging and shipping to ensure that you, the customer, receive the quality product you expect from NAPOLEON.

NAPOLEON warrants that components in your new NAPOLEON product will be free from defects in material and workmanship from the date of purchase, for the following period:

Aluminum castings / stainless steel base	Lifetime
Stainless steel lid.....	Lifetime
Porcelain enamel lid	Lifetime
Stainless steel cooking grids	Lifetime
Stainless steel tube burners	10 years full coverage, plus 50% off for life
Porcelain-enameled cast iron cooking grids	10 years full coverage, plus 50% off for life
Stainless steel sear plates.....	5 years full coverage, plus 50% off for life
Stainless steel infrared rotisserie burner	5 years full coverage, plus 50% off for life
Ceramic infrared burners (excluding screen).....	5 years full coverage, plus 50% off for life
All other parts	2 years

*Conditions and Limitations

This Limited Warranty creates a warranty period as specified in the aforementioned table, for any product purchased through an authorized NAPOLEON dealer, and entitles the original purchaser to the specified coverage in respect of any component replaced within the warranty period, either by NAPOLEON or an authorized NAPOLEON dealer, to replace a component of such product that has failed in normal private use as a result of a manufacturing defect. The "50% off" indicated in the table means the component is made available to the purchaser at a 50% discount off the regular retail price of the component for the period indicated. This Limited Warranty does not cover accessories or bonus items.

For greater certainty, "normal private use" of a product means that the product: has been installed by a licensed, authorized service technician or contractor, in accordance with the installation instructions included with the product and all local and national building and fire codes; has been properly maintained; and has not been used as a communal amenity or in a commercial application.

Similarly, "failure" does not include: over-firing, blow outs caused by environmental conditions such as strong winds or inadequate ventilation, scratches, dents, corrosion, deterioration of painted and plated finishes, discoloration caused by heat, abrasive or chemical cleaners or UV exposure, chipping of porcelain enameled parts, or damages caused by misuse, accident, hail, grease fires, lack of maintenance, hostile environments such as salt or chlorine, alterations, abuse, neglect or parts installed from other manufacturers.

Should deterioration of parts occur to the degree of non-performance (rusted through or burnt through) within the duration of the warranted coverage, a replacement part will be provided. The replacement component is the sole responsibility of NAPOLEON defined by this Limited Warranty; in no event will NAPOLEON be responsible for installation, labor or any other costs or expenses related to the re-installation of a warranted part, for any incidental, consequential, or indirect damages or for any transportation charges, labor costs or export duties.

This Limited Warranty is provided in addition to any rights afforded to you by local laws. Accordingly, this Limited Warranty imposes no obligation upon NAPOLEON to keep parts in stock. Based on the availability of parts, NAPOLEON may at its discretion discharge all obligations by providing a customer a prorated credit towards a new product. After the first year, with respect to this Limited Warranty NAPOLEON may, at its discretion, fully discharge all obligations with respect to this warranty by refunding to the original warranted purchaser the wholesale price of any warranted but defective part(s).

The bill of sale or copy will be required together with a serial number and a model number when making any warranty claims from NAPOLEON. NAPOLEON reserves the right to have its representative inspect any product or part prior to honoring any warranty claim. You must contact NAPOLEON Customer Service or an authorized NAPOLEON dealer to obtain the benefit of the warranty coverage.



www.napoleon.com



WARNING! Failure to follow these instructions could result in property damage, personal injury or death. Read and follow all warnings and instructions in this manual prior to operating grill.

Safe Operating Practices

- This gas grill must be assembled exactly according to the instructions in the manual. If the grill was store assembled, you must review the assembly instructions to confirm correct assembly and perform the required leak tests before operating the grill.
- Read the entire instruction manual before operating the gas grill.
- This gas grill must be used only outdoors in a well-ventilated space and must not be used inside a building, garage, screened-in porch, gazebo or any other enclosed area.
- This gas grill must not be installed in or on recreational vehicles and/or boats.
- Do not locate unit in windy settings. High winds adversely affect the cooking performance of the gas grill.
- Under no circumstances should this gas grill be modified.
- Do not operate unit under overhead combustible construction.
- Maintain proper clearance to combustibles, 27" (686 mm) to rear of unit, 24" (610 mm) to sides). Additional 24" (610 mm) clearance is recommended near vinyl siding or panes of glass.
- At all times keep the ventilation openings of the cylinder enclosure free and clear from debris.
- Gas must be turned off at the propane cylinder or at the natural gas supply valve when the gas grill is not in use.
- Keep children and pets away from hot grill, DO NOT allow children to climb inside cabinet.
- Children should be supervised to ensure that they do not play with the appliance.
- This appliance is not intended for use by persons (including children) with reduced physical, sensory or mental capabilities, or lack of experience and knowledge, unless they have been given supervision or instruction concerning use of the appliance by a person responsible for their safety.
- If the enclosure is to house a propane cylinder, the tank portion of the enclosure must be ventilated according to local codes and must not have communication with the cavity used to enclose the gas grill. A propane tank can not be stored below the gas grill.
- Do not attempt to use a cylinder that is not equipped with a QCC1 type connection.
- When the propane cylinder is connected to the appliance, the gas grill and cylinder must be stored outdoors in a well-ventilated space.
- When the gas grill is to be stored indoors, the connection between the propane cylinder and the gas grill must be disconnected and the cylinder removed and stored outdoors in a well-ventilated space out of reach of children. Disconnected cylinders must not be stored in a building, garage or any other enclosed area. Natural gas units must be disconnected from the supply when being stored indoors.
- Inspect the gas supply hose before each use. If there is evidence of excessive abrasion or wear or the hose is cut, it must be replaced prior to using the gas grill with a replacement hose assembly specified by the grill manufacturer.
- Leak test the unit before initial use, annually, and whenever any gas components are replaced.
- Follow lighting instructions carefully when operating grill.
- Burner controls must be off when turning supply cylinder valve on.
- The lid is to be closed during the gas grill preheating period.
- Do not leave grill unattended when operating.
- Do not light burners with lid closed.
- Do not operate rear burner with main burners operating.
- Do not move grill when hot or operating.
- Keep any electrical supply cord and gas supply hose away from any heated surfaces.
- Ensure sear plates are positioned properly according to sear plate installation instructions. The holes must be towards the front of the gas grill (if applicable).
- Clean grease tray and sear plates regularly to avoid build-up, which could lead to grease fires.
- Remove warming rack before lighting rear burner. The extreme heat will damage the warming rack.
- Inspect infrared burner venturi tube for spider webs and other obstructions periodically. Clean the tubes completely if you find any such obstructions.
- Do not allow cold water (rain, sprinkler, hose, etc.) to come in contact with ceramic burners. A large temperature differential can cause cracking in the ceramic tile.
- Do not use a pressure washer to clean any part of the unit.
- The outdoor cooking gas grill and its individual shutoff valve must be disconnected from the gas supply piping system during any pressure testing of that system at test pressures in excess of 0.5psi (3.5kPa).
- The outdoor cooking gas grill must be isolated from the gas supply piping system by closing its individual manual shutoff valve during any pressure testing of the gas supply piping system at test pressures equal to or less than 1/2 psi (3.5 kPa).



Correct Disposal Of This Product

This marking indicates that this product should not be disposed with other household wastes throughout the EU. To prevent possible harm to the environment or human health from uncontrolled waste disposal, recycle it responsibly to promote the sustainable reuse of material resources. To return your used device, please use the return and collection systems or contact the retailer where the product was purchased. They can take this product for environmental safe recycling.

Gas Cylinder

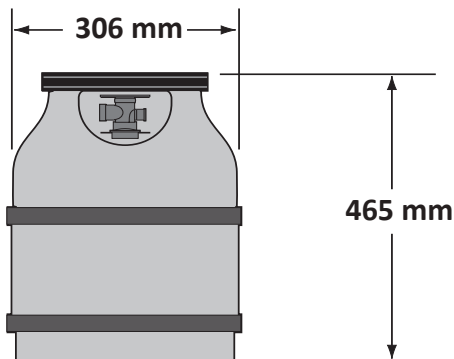
Use only gas cylinders, which meet national and regional codes. **For optimal performance the grill should be operated on propane.** The minimum cylinder size for butane units is 13kg, and for propane units is 6kg. Ensure that the cylinder can provide enough fuel to operate the appliance. If in doubt, check with your local gas supplier.

- Use caution when handling the cylinder valve.
- Never connect a cylinder, which does not meet local codes.

Only cylinders connected to the appliance may be stored in the enclosure, or close to the appliance. Enclosures must comply with the BUILT IN CYLINDER ENCLOSURES paragraph in the following section. Spare cylinders must not be stored in the enclosure, or in close proximity of an operating unit. Cylinders must not be exposed to extreme heat or direct sunlight.

Cylinder Connection: Remove the cap or plug from the cylinder fuel valve. Tighten regulator to cylinder valve. *Leak test all joints prior to using the barbecue.* A leak test must be performed annually, and each time a cylinder is hooked up, or if a part of the gas system is replaced.

Example Cylinder



Gas Hose



WARNING! This gas grill must be installed by a licensed gas fitter. The gas grill can not be connected to the gas supply using hoses except to connect the cylinder regulator to the piping system. The increased temperature within the enclosure may cause the hose to melt. Use the provided flexible metal connector to connect the gas grill to either approved rigid piping, approved copper tubing or approved flexible metal connectors. Ensure the installation conforms to all local and national codes. The entire gas supply installation must be leak tested before operating the gas grill. Refer to the manual for complete grill assembly instructions.

- If the hose and regulator are not included by the manufacturer, then only hoses and regulators which meet national and regional codes are to be used.
- Ensure that the hose does not come into contact with grease, other hot drippings, or any hot surfaces on the appliance.
- Check hose regularly. In the case of rips, melting or wear, replace hose before using the appliance.
- The recommended hose length is 0.9m. The hose must not be longer than 1.5m.
- Ensure that the hose is twist and kink free when installed.
- Replace the hose before expiry date printed on the hose.

Technical Data

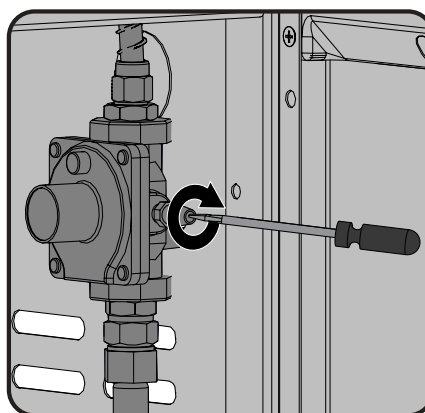
The following table lists input values for the appliance.

Burner	Orifice Size		(Gross) Heat Input (Total)		Gas Usage (Total)	
	I	II	I	II	I	II
Main	#60	1.45mm	16.0 kW	14.0 kW	1164 g/hr	1332 L/hr
Rear	1.25mm	#50	5.7 kW	5.0 kW	415 g/hr	476 L/hr

Certified Gases / Pressures - Check rating plate to ensure that it corresponds with following list.

Gas Category	¹ 3B/P(30)	¹ 3+(28-30/37)	¹ 3B/P(37)	¹ 3B/P(50)	¹ 2H	¹ 2E	¹ 2E+	¹ 2L
Orifice Sizes(see above)	I	I	I	I	II	II	II	II
Gases / Pressures	Butane and Propane at 30mbar	Butane 28-30mbar Propane 37mbar	Butane and Propane at 37mbar	Butane and Propane at 50mbar	G20 at 20mbar	G20 at 20/25 mbar	G20/G25 at 20/25 mbar	G25 at 25mbar
Countries	BE, BG, CY, DK, EE, FI, FR, GB, HR, HU, IS, IT, LT, LU, MT, NL, NO, RO, SE, SI, SK, TR	BE, CH, CY, CZ, ES, FR, GB, GR, IE, IT, LT, LU, LV, PT, SK, SI	PL	AT, CH, DE, SK	AT, BG, CH, CZ, DK, EE, ES, FI, GB, GR, HR, HU, IE, IS, IT, LV, LT, NO, PT, RO, SE, SI, SK, TR	DE, LU, PL	BE,FR	NL

Do not tamper with or modify regulator. Use only regulators which supply the pressure listed in the table above. The grill is equipped with an internal regulator. This internal regulator has an outlet pressure of 24.5 mbar for propane/butane and 18.5 mbar for natural gas and must not be modified or adjusted. For replacement, use only the regulator specified by the manufacturer.



This unit includes an internal regulator which stabilizes the gas pressure and improves grill performance. This regulator cannot be adjusted. There is a pressure tap located on the side of the regulator. It can be used by a qualified service person when servicing the grill to determine if the regulator is functioning properly. The screw within the pressure tap must always be kept tight, except when performing a pressure test on the regulator (qualified service personnel only).



Gas Hook-Up Instructions

WARNING! This grill is designed for installation in a built-in enclosure constructed of combustible materials when installed with zero clearance liner Part No. BI-3323-ZCL, and must be installed and serviced by a qualified installer to local codes.

WARNING! Cabinet frame, cabinet, and counter top must be made from non-combustible material when not installed with zero clearance liner Part No. BI-3323-ZCL.

WARNING! The pressure supplied to the grill must conform to what is listed on the rating plate of the grill. If the supply pressure is greater, a regulator must be installed.

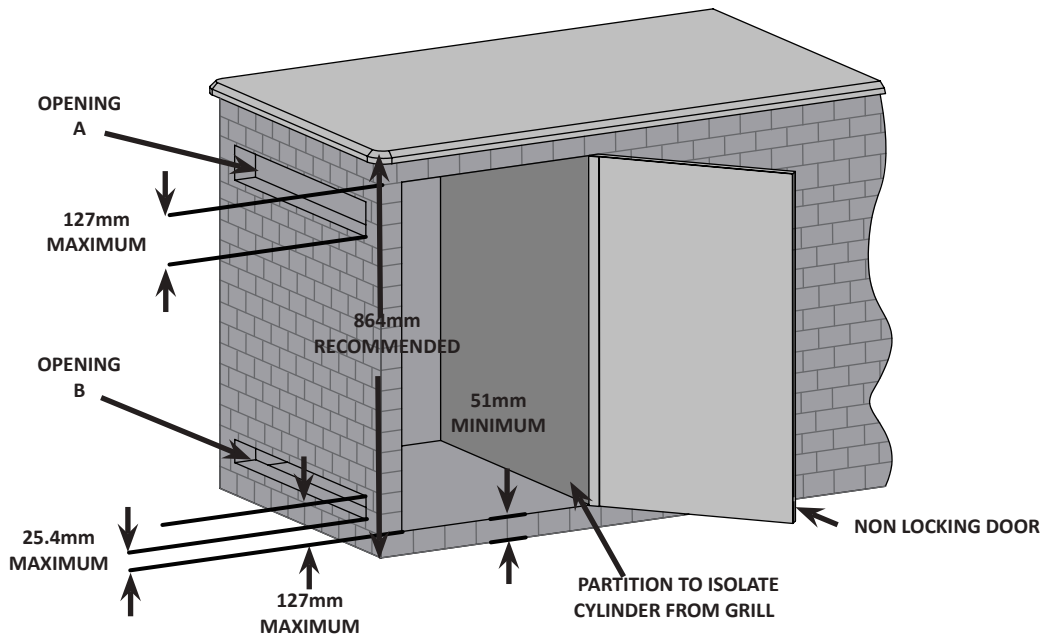
BUILT IN PROPANE GAS HOOK-UP: The piping up to the gas grill is the responsibility of the installer and piping should be located as shown in the built-in instructions. A flexible metal connector is included to simplify the installation of the unit. Connect this flexible metal connector to the flare fitting on the end of the manifold. Connect the other end of the connector to the gas piping. Ensure that the connector does not pass through a wall, floor, ceiling or partition, and is protected from damage. Do not use a hose to connect the unit except to connect the cylinder regulator to the piping system. It must be connected with rigid pipe, copper tube or an approved flexible metal connector which complies with national and regional codes.

The installation must comply with national and regional codes. The gas supply pipe must be sufficiently sized to supply the kW input specified on the rating plate, based on the length of the piping run. If installing a side burner, a separate line must be branched off to the side burner unit and enter the side burner opening at the specified location. If the enclosure is to house a propane cylinder, the tank portion of the enclosure must be ventilated according to local codes, and must not have communication with the cavity used to enclose the gas grill. A propane cylinder can not be stored below the gas grill.

BUILT IN CYLINDER ENCLOSURES: Built in cylinder enclosures which completely enclose the cylinder must have both of the following:

1. At least one unobstructed ventilation opening on the exposed exterior side of the enclosure located within 127mm of the top of the enclosure. The opening must have a total free area of more than 130 cm² for a cylinder up to 9 kg and 195 cm² for a cylinder larger than 9 kg.
2. At least one ventilation opening on the exposed, exterior side of the enclosure located 25.4 mm or less from the floor level. The opening must have a total free area of more than 65 cm² for a cylinder up to 9 kg and 100 cm² for a for a cylinder larger than 9 kg. The upper edge must be no more than 127 mm above the floor level.

Every opening must be large enough to permit the entrance of a 3.2 mm rod.



CYLINDER SIZE	OPENING A AREA	OPENING B AREA
20 lb (9.1kg)	20in ² (130cm ²)	10in ² (65cm ²)
30 lb (13.6kg)	30in ² (195cm ²)	15in ² (100cm ²)



WARNING!

- The cylinder valve(s) must be readily accessible for hand operation. A door on the enclosure to gain access to the cylinder valves is acceptable, provided it is non-locking and can be opened without the use of tools.
- The enclosure for the LP-gas cylinder must isolate the cylinder from the burner compartment to provide shielding from radiation, a flame barrier, and protection from foreign material, such as hot drippings. The enclosure cannot be located directly below the grill.
- There must be a minimum clearance of 51 mm between the floor of the LP-gas cylinder enclosure and the ground.
- The enclosure must be designed so that the LP-gas cylinder can be connected, disconnected and the connections inspected and tested outside the cylinder enclosure. Any connections that can be disturbed when installing the cylinder in the enclosure must be accessible for testing inside the enclosure.

BUILT IN NATURAL GAS HOOK-UP: The piping up to the gas grill is the responsibility of the installer and piping should be located as shown in the built-in instructions. A flexible metal connector is included to simplify the installation of the unit. Connect this connector to the flare fitting on the end of the manifold. Connect the other end of the connector to the gas piping. Ensure that the connector does not pass through a wall, floor, ceiling or partition, and is protected from damage. Do not use a hose to connect the unit. It must be connected with rigid pipe, copper tube or an approved flexible metal connector which complies with national and regional codes. The installation must comply with national and regional codes. The gas supply pipe must be sufficiently sized to supply the kW input specified on the rating plate, based on the length of the piping run. If installing a side burner, a separate line must be branched off to the side burner unit and enter the side burner opening at the specified location.



WARNING! Built in units are supplied with a drip pan which holds only a minimal amount of grease. To prevent grease fires, the pan must be cleaned after each use.

WARNING! Access must be provided to the inside of the enclosure to make gas connections.



DANGER! Read all instructions carefully before operating the grill. Failure to follow these instructions exactly could result in a fire causing serious injury or death. The entire installation must be leak tested before operating the grill.

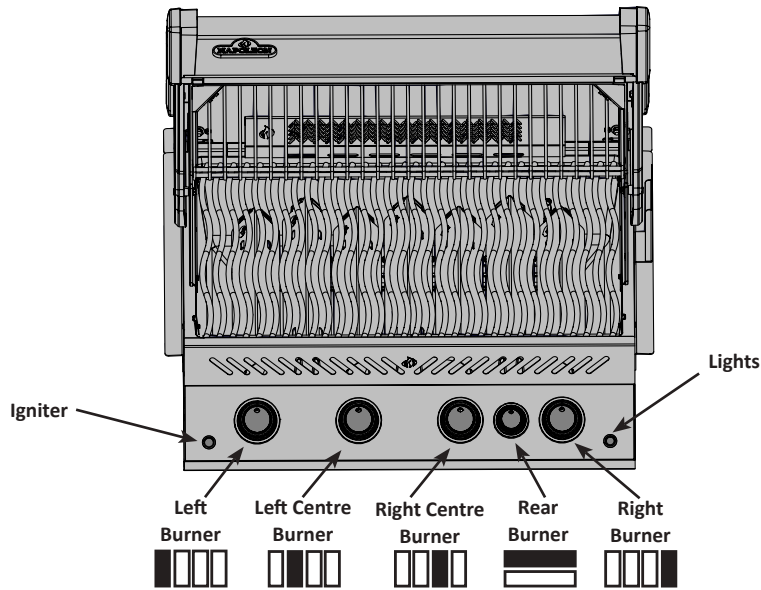
Electrical Precautions



WARNING! Failure to follow these instructions could result in property damage, personal injury or death.

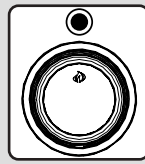
- 230 - 240V / AC - 50HZ – 0.4A.
- To protect against electric shock, do not immerse cord or plugs in water or other liquid.
- Unplug from the outlet when not in use and before cleaning. Allow to cool before putting on or taking off parts.
- Do not operate any outdoor cooking gas appliance with a damaged cord, plug, or after the appliance malfunctions or has been damaged in any manner. Contact the manufacturer for repair.
- If the supply cord is damaged, it must be replaced by the manufacturer or its service agent or a similarly qualified person in order to avoid a hazard.
- Do not let the cord hang over the edge of a table or touch hot surfaces.
- Do not use an outdoor cooking gas appliance for purposes other than intended.
- When connecting, first connect plug to the outdoor cooking gas appliance then plug appliance into the outlet.
- Use only a Ground Fault Interrupter (GFI) protected circuit with this outdoor cooking gas appliance.
- Never remove the grounding plug or use with an adapter of 2 prongs.
- Use only extension cords with a 3 prong grounding plug, rated for the power of the equipment, and approved for outdoor use with a W-A marking.

Lighting Instructions



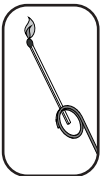
WARNING! Open lid

Off Position



WARNING! Ensure all burner controls are in the off position. Slowly turn on the gas supply valve.

Main Burner Lighting	Rear Burner Lighting (if equipped)	Side Burner Lighting (optional)
1. Open grill lid	1. Open grill lid	1. Open burner cover.
2. Push and turn any main burner knob slowly to the high position. If the pilot lights, continue to push down on the control knob until the burner lights and then release.	2. Remove warming rack.	2. Turn side burner control to high position.
3. If the pilot does not ignite, then immediately turn the control knob back to the 'off' position and repeat step 2 several times.	3. Turn rear burner control to high position.	3. Press and hold igniter button until burner lights, or light by match.
4. If the pilot and burner will not ignite within 5 seconds, turn the control knob to the 'off' position and wait 5 minutes for any excess gas to dissipate. Either repeat steps 2 and 3 or light with a match.	4. Press and hold igniter button until burner lights, or light by match.	4. If ignition is not immediate, turn burner control off. Wait 5 minutes. Repeat.
5. If lighting the unit with a match, clip the match into the supplied lighting rod. Hold the lit match down through the grill and sear plate while turning the corresponding burner valve to high.	5. If ignition is not immediate, turn burner control off. Wait 5 minutes. Repeat.	



NOTE! Do not use rear burner while operating main burner.

Cooking Instructions

Initial Lighting: When lit for the first time, the gas grill emits a slight odor. This is a normal temporary condition caused by the “burn-in” of internal paints and lubricants used in the manufacturing process and does not occur again. Simply run the main burners on high for approximately one-half hour.

Do not locate this gas grill in windy settings. High winds adversely affect the cooking performance of the gas grill. In extreme circumstances when consistent high winds come from directly behind the unit, heat can vent underneath the control panel. This may cause the control panel to become extremely hot to touch and the knobs to deform.

Napoleon includes a wind deflector with your unit. It will help prevent the possibility of improper heat build-up.

(Refer to your Quick Assembly Guide for installation instructions).



NOTE! Napoleon is not responsible for: over firing, blow outs caused by environmental conditions such as strong winds, or inadequate ventilation.

Main Burner Use: When searing foods, we recommend preheating the grill by operating all main burners in the high position with the lid closed for approximately 10 minutes. Food cooked for short periods of time (fish, vegetables) can be grilled with the lid open. Cooking with the lid closed will ensure higher, more even temperatures that can reduce cooking time and cook meat more evenly. Food that has a cooking time longer than 30 minutes, such as roasts, can be cooked indirectly (with the burner lit opposite to the food placement). When cooking very lean meats, such as chicken breasts or lean pork, the grids can be oiled before pre-heating to reduce sticking. Cooking meat with a high degree of fat content can create flare-ups. Either trim the fat or reduce temperatures to inhibit this. Should a flare-up occur, move food away from the flames and reduce the heat. Leave the lid open. Learn more grilling techniques and delicious recipes by acquiring Napoleon’s cookbooks.

Direct Cooking: Place food to be cooked on the grill directly over the heat. This method is generally used for searing or for foods that do not require prolonged cooking times such as hamburgers, steaks, chicken pieces, or vegetables. The food is first seared to trap-in the juices and flavor, and then the temperature is lowered to finish cooking the food to your preference.

Indirect Cooking: With one or more burners operating, place food to be cooked on the grill over a burner that is not operating. The heat circulates around the food, cooking slowly and evenly. Cooking with this method is much the same as cooking in your oven and is generally used for larger cuts of meats such as roasts, chickens or turkeys, but can also be used for cooking foods that are prone to flare-ups or for smoking foods. Lower temperatures and slower cooking times result in tender foods.

Rear Burner Use (If Equipped): Remove the warming rack prior to use, the extreme heat will damage the warming rack. Cooking grids should also be removed if they interfere with the rotisserie. The rear burner is designed to be used in conjunction with the rotisserie kit available from your dealer. See the rotisserie kit assembly instructions.

To use the counterbalance - remove the rotisserie motor from the gas grill. Place the spit with meat being cooked across the hangers inside the grill. The meat will naturally hang with the heavy side down. Tighten the counterbalance arm and weight so the arm is facing up. Slide the counterweight in or out to balance the load and tighten in place. Re-install the motor and begin cooking. Place a metal dish underneath the meat to collect drippings for basting and naturally delicious gravy. Basting liquid may be added as required. To seal in juices, first operate rear burner on high until brown, then reduce the heat to thoroughly cook foods. Keep the lid closed for best results. Your roasts and fowl will brown perfectly on the outside and stay moist and tender on the inside. For example, a 3-pound chicken on the rotisserie will be done in approximately 1½ hours on medium to high. Search Grill Master Recipes at <https://www.napoleon.com/en/us/grills/recipes> for “rotisserie”.



ATTENTION! Barbecue sauce and salt can be corrosive and will cause rapid deterioration of the gas grill components unless cleaned regularly. When finished cooking disassemble rotisserie components, wash thoroughly with warm soapy water and store indoors.

Illumination Instructions

Motion sensor and Knobs and Oven Lights



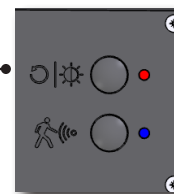
Turn the Power Switch ON located on the control box.
The control box should be to the left side of the inside of your cabinet, where the grill head has been mounted on.

(See control box installation section in this manual for further reference).




A red and a blue LED light will turn on. Illumination settings are in **Default mode**.

Brightness: Press the  button to change brightness between high (100%), medium (65%) and low (35%).

This can only be changed when the knob lights are in White or Blue Mode



Motion Sensor

- The knob and logo lights will remain ON as long as motion is detected within 1 meter of your grill. They will turn off after 15 minutes of inactivity.
- While the motion sensor is ON (as indicated by the blue LED), you can turn the oven lights on and off with the  switch.
- Press the  button in the box to turn the sensor OFF.
- Now all your lights are controlled with the  switch.
- The oven lights will turn off after two hours.
- If the motion sensor is OFF, the knob and logo lights will also shut off after two hours.

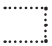
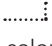


Illumination modes

Default mode

- Knob light mode Blue
- Brightness on high
- Motion Sensor is On


Knob lights modes

- Blue 
 - White 
 - Green- color spectrum mode
- Brightness can be adjusted in these modes only

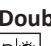

Select Knob light mode by holding down the  switch to toggle from blue to white to green. Release it on the desired mode.

Go back to Default mode: by holding down the  button for 2 seconds.

Selecting a color

- When you have the knobs on the **Color spectrum mode** the knobs and the logo will slowly cycle through the color spectrum, starting at green.
- Quickly Press  Twice** to stop the spectrum at any color you choose
- Press twice again to let it continue changing colors.

Logo light ON/OFF

- The logo and knobs lights work as a set, However you can also turn the logo light off while keeping the knobs lights on.
- Double click the  button** to turn the logo light OFF at any time. **Double click  again** to turn it back on.
- If the unit is powered OFF and ON again (main power switch), the logo light will return to its default mode.



Cleaning Instructions



WARNING! Always wear protective gloves and safety glasses when servicing your grill.



WARNING! To avoid the possibility of burns, maintenance should be done only when the grill is cool. Avoid unprotected contact with hot surfaces. Ensure all burners are turned off. Clean grill in an area where cleaning solutions will not harm decks, lawns, or patios. Do not use oven cleaner to clean any part of this gas grill. Do not use a self-cleaning oven to clean cooking grids or any other parts of the gas grill. Barbecue sauce and salt can be corrosive and will cause rapid deterioration of the gas grill components unless cleaned regularly.



Note: Stainless steel tends to oxidize or stain in the presence of chlorides and sulfides, particularly in coastal areas and other harsh environments, such as the warm, highly humid atmosphere around pools and hot tubs. These stains could be perceived as rust, but can be easily removed or prevented. To provide stain prevention and removal, wash all stainless steel and chrome surfaces every 3-4 weeks or as often as required with fresh water and/or stainless steel cleaner.

Grids And Warming Rack: The grids and warming rack are best cleaned with a brass wire brush during the pre-heating period. Steel wool can be used for stubborn stains. It is normal that stainless grids (if equipped) will discolor permanently from regular usage due to the high temperature of the cooking surface.

Control Panel: The control panel text is printed directly on the stainless steel and with proper maintenance will remain dark and legible. To clean the panel, use only warm soapy water. Never apply abrasive cleaners on any stainless surfaces, especially the printed portion of the control panel or the printing will gradually rub off.

Cleaning Inside The Gas Grill: Remove the cooking grids. Use a brass wire brush to clean loose debris from the casting sides and underneath the lid. Scrape the sear plates with a putty knife or scraper, and use a wire brush to remove the ash. Remove the sear plates and brush debris from the burners with the brass wire brush. Sweep all debris from inside the gas grill into the drip pan.



WARNING! Built in units are supplied with a drip pan which holds only a minimal amount of grease. To prevent grease fires, the pan must be cleaned after each use.

Drip Pan: Accumulated grease is a fire hazard. Clean the drip pan after each use to avoid grease buildup. Grease and excess drippings pass through to the drip pan, located beneath the gas grill. To clean the drip pan, slide the drip pan free of the grill. Never line the drip pan with aluminum foil, sand or any other material as this could prevent the grease from flowing properly. The pan should be scraped out with a putty knife or scraper.

Cleaning The Outer Grill Surface: Do not use abrasive cleaners or steel wool on any painted, porcelain or stainless steel parts of your Napoleon Grill. Doing so will scratch the finish. Exterior grill surfaces should be cleaned with warm soapy water while the metal is still warm to the touch. To clean stainless surfaces, use a stainless steel or a non-abrasive cleaner. Always wipe in the direction of the grain. Over time, stainless steel parts discolor when heated, usually to a golden or brown hue. This discoloration is normal and does not affect the performance of the grill. Porcelain enamel components must be handled with additional care. The baked-on enamel finish is glass-like, and will chip if struck. Touch-up enamel is available from your Napoleon Grill dealer.



Maintenance Instructions

We recommend this gas grill be thoroughly inspected and serviced annually by a qualified service person.

At all times keep the gas grill area free from combustible materials, gasoline and other flammable vapors and liquids. Do not obstruct the flow of ventilation and combustion air. Keep the cylinder enclosure ventilation openings (located on the cart sides and at the front and back of the bottom shelf) free and clear from debris.

WARNING! Always wear protective gloves and safety glasses when cleaning your grill.

WARNING! Turn off the gas at the source and disconnect the unit before servicing. To avoid the possibility of burns, maintenance should be done only when the grill is cool. A leak test must be performed annually and whenever any component of the gas train is replaced or gas smell is present.

Burner: The burner is made from heavy wall 304 stainless steel, but extreme heat and a corrosive environment can cause surface corrosion to occur. This can be removed with a brass wire brush.

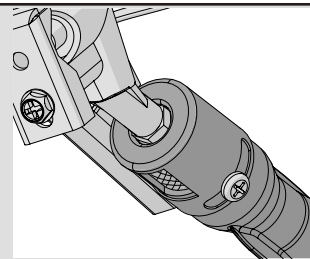
CAUTION! Beware of Spiders.

Spiders and insects are attracted to the smell of propane and natural gas. The burner is equipped with an insect screen on the air shutter, which reduces the likelihood of insects building nests inside the burner but does not entirely eliminate the problem. A nest or web can cause the burner to burn with a soft yellow or orange flame or cause a fire (flashback) at the air shutter underneath the control panel. To clean the inside of the burner, it must be removed from the gas grill: Remove the screw (s) that attaches the burner to the back wall. Slide the burner back and up wards to remove. Cleaning: Use a flexible venturi tube brush to clean the inside of the burner. Shake any loose debris from the burner through the gas inlet. Check the burner ports and valve orifices for blockages. Burner ports can close over time due to cooking debris and corrosion, use an opened paperclip or the supplied port maintenance bit to clean them. Drill out blocked ports using this drill bit in a small cordless drill. The ports are easier to clean if the burner is removed from the grill, but it can also be done with the burner installed. Do not flex the drill bit when drilling the ports, as this will cause the drill bit to break. This drill is for burner ports only, not for the brass orifices (jets) which regulate the flow into the burner. Take care not to enlarge the holes. Ensure the insect screen is clean, tight, and free of any lint or other debris.

Reinstallation: Reverse the procedure to reinstall the burner. Check that the valve enters the burner when installing. Replace sear plate mount and / or tighten screws to complete reinstallation.



WARNING! When reinstalling the burner after cleaning it is very important that the valve/orifice enters the burner tube before lighting your gas grill. If the valve is not inside the burner tube a fire or explosion could occur.



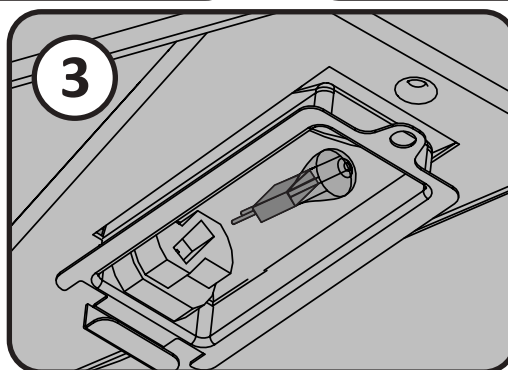
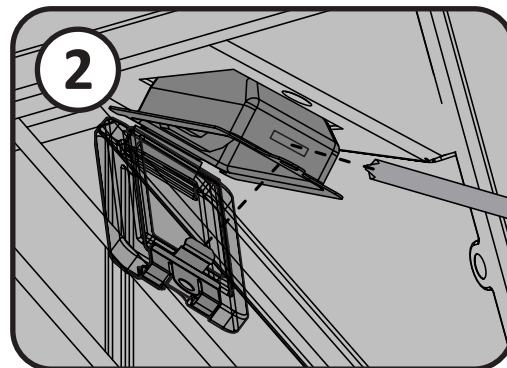
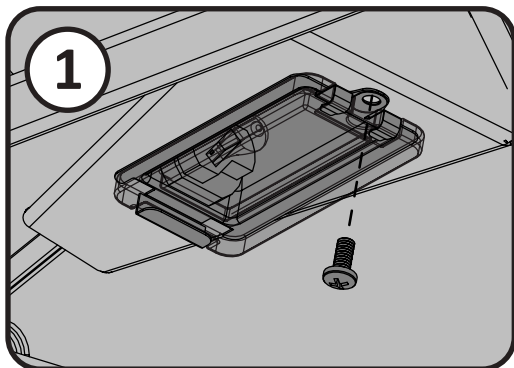
WARNING! Regulator Hose (when applicable): Check for abrasions, melting, cuts, and cracks in the hose. If any of these conditions exist, do not use the gas grill. Have the part replaced by your Napoleon Gas Grill dealer or qualified gas installer.

Aluminum Castings: Clean castings periodically with warm soapy water. Aluminum will not rust, but high temperatures and weathering can cause oxidation to occur on aluminum surfaces. This appears as white spots on the castings. To refinish these areas, clean first and sand lightly with fine sandpaper. Wipe the surface to remove any residue and paint with high temperature barbecue paint. Protect surrounding areas from over-spray. Follow the manufacture's directions for curing.



WARNING! Always wear protective gloves when changing the halogen bulb in the internal lights of your grill.

Lights: To replace the halogen bulb in your grill you must first remove the lens from the light housing. To remove the lens from the housing, remove the Philips screw securing the housing in place. Snap the lens out of the housing (including the metal bracket). Do not touch the halogen bulb with your bare hands. The oil from your fingertips will reduce the life of the bulb. With gloved hands gently pull the old bulb from the socket and replace with the new bulb. Reinstall the lens, by snapping it back into the housing and bend the tabs on the front of the housing back in to position.



Troubleshooting

EN

Problem	Possible Causes	Solution
Low heat / Low flame when valve turned to high.	For propane - improper lighting procedure. For natural gas - undersized supply line. For both gases - improper preheating.	Ensure lighting procedure is followed carefully. All gas grill valves must be in the off position when the tank valve is turned on. Turn tank on slowly to allow pressure to equalize. See lighting instructions. Pipe must be sized according to installation code. Preheat grill with both main burners on high for 10 to 15 minutes.
Excessive flare-ups/ uneven heat.	Sear plates installed incorrectly. Improper preheating. Excessive grease and ash build on sear plates and in drip pan.	See assembly instructions. Preheat grill with main burners on high for 10 to 15 minutes. Clean sear plates and drip pan regularly. Do not line pan with aluminum foil. Refer to cleaning instructions.
Burners burn with yellow flame, accompanied by the smell of gas.	Possible spider web or other debris in burner.	Thoroughly clean burner by removing. See general maintenance instructions.
Rear and Side burners will not light with the igniter, but will light with a match.	Dead battery / or installed incorrectly. Loose electrode wire or switch terminal wires.	Replace with heavy duty premium battery. Check that electrode wire is firmly pushed onto the terminal on the back of the igniter. Check that the lead wires from the module to the ignition switch (if equipped) are firmly pushed onto their respective terminals.
Main burner will not light with the igniter, but will light with a match.	Jet-fire outlet is dirty or clogged.	Clean jet-fire outlet with a soft bristle brush.
Humming regulator.	Normal occurrence on hot days.	This is not a defect. It is caused by internal vibrations in the regulator and does not affect the performance or safety of the gas grill. Humming regulators will not be replaced.
Burners will not cross light each other.	Dirty or corroded cross light brackets.	Clean or replace as required.
"Paint" appears to be peeling inside lid or hood.	Grease build-up on inside surfaces.	This is not a defect. The finish on the lid and hood is porcelain, and will not peel. The peeling is caused by hardened grease, which dries into paint-like shards, that flake off. Regular cleaning will prevent this. See cleaning instructions.
Burner output on "high" setting is too low. (Rumbling noise and fluttering blue flame at burner surface.)	Lack of gas. Supply hose is pinched. Dirty or clogged orifice. Spider webs or other matter in venturi tube.	Check gas level in propane cylinder. Reposition supply hose as necessary. Clean burner orifice. Clean out venturi tube.

Problem	Possible Causes	Solution
Infrared burner (if equipped) flashes back (during operation the burner abruptly makes a loud “whoosh” sound, followed by a continuous blow-torch type sound and grows dim.)	<p>Ceramic tiles overloaded with grease drippings and build-up. Ports are clogged.</p> <p>Burner overheated due to inadequate ventilation (too much grill surface covered by griddle or pan.)</p> <p>Cracked ceramic tile.</p> <p>Leaking gasket surrounding the ceramic tile, or a weld failure in the burner housing.</p>	<p>Turn burner off and allow to cool for at least two minutes. Relight burner and burn on high for at least five minutes or until the ceramic tiles are evenly glowing red.</p> <p>Ensure that no more than 75% of the grill surface is covered by objects or accessories. Turn burner off and allow to cool for at least two minutes, then relight.</p> <p>Allow burner to cool and inspect very closely for cracks. If any cracks are found, contact your authorized Napoleon dealer to order a replacement burner assembly.</p> <p>Contact your authorized Napoleon dealer for instructions on ordering a replacement burner assembly.</p>
Pilot will not light. (if equipped)	<p>Lack of gas.</p> <p>Obstruction in pilot orifice.</p> <p>Electrode wire loose or off.</p> <p>Dirty pilot electrode.</p> <p>Pilot is actually lit.</p>	<p>After turning pilot knob to high, wait approximately 20-30 seconds for air to purge the gas supply line while pressing igniter. Fill propane cylinder. During initial set-up or after tank has been refilled, it is best to light one of the tube burners before lighting the pilot burner. This enables the gas to reach the valves on the manifold more quickly.</p> <p>Clean pilot orifice.</p> <p>Replace lead wire.</p> <p>Clean pilot electrode.</p> <p>The pilot flame, especially on natural gas units is very difficult to see. Place your hand 1 in. (2.5 cm) above grill surface over the pilot burner to feel for heat.</p>
Illumination and Side/Rear burner ignition do not work	<p>Electric Power is out</p> <p>The grill is nor receiving electric power</p>	<p>Check the power outage in your area</p> <p>Ensure the grill is connected between the wall and the power bar of the grill</p> <p>Ensure the red indicator is ON in the control box</p> <p>Check if the fuse on the wire in the cabinet is broken or not</p>
Ignitor, oven and cabinet lights work but the knob lights don't illuminate when turning the power switch ON	<p>The motion sensor detector does not work properly</p> <p>The wire harness does not work properly</p>	<p>Ensure the blue indicator is ON</p> <p>Turn the sensor ON by clicking the motion detector button</p> <p>If blue indicator is ON, replace the motion sensor</p> <p>Replace the wire harness of the control panel</p>

Problem	Possible Causes	Solution
<p>Illumination of the knob and switch lights work fine, but the side/rear burner ignition does not work</p>	<p>The ignitor switch does not work properly</p> <p>The ignitor block does not work properly</p>	<p>Replace the ignitor switch if the switch light illuminates when you turn the light switch on. Check the switch connection inside the control panel. If there's no light on the switch when you turn it on.</p> <p>Replace the ignitor block if the switch illuminates and sparking noise can be heard.</p>
<p>Illumination but can't ignite the side or rear burner, even when sparking noise occurs</p>	<p>The gap between electrodes is too big or too small</p>	<p>Adjust the gap between two prongs of the side burner electrode when the side burner does not ignite.</p> <p>Adjust the gap between the electrode and the rear burner when the rear burner does not ignite.</p>
<p>The knob and switch lights blink eight times with 0.5 seconds intervals and then turn off.</p>	<p>The batteries are low</p>	<p>Replace the batteries</p>

KEEP YOUR RECEIPT AS PROOF OF PURCHASE TO VALIDATE YOUR WARRANTY.

Ordering Replacement Parts

EN

Warranty Information

MODEL: _____

DATE OF PURCHASE: _____

SERIAL NUMBER: _____

(Record information here for easy reference)

For replacement parts and warranty claims, contact the Napoleon dealer where the product was purchased.

Before contacting the dealer, check the Napoleon Grills Website for more extensive cleaning, maintenance, troubleshooting and parts replacement instructions at www.napoleon.com.

To process a claim, the following information is required:

1. Model and serial number of the unit.
2. Part number and description.
3. A concise description of the problem ('broken' is not sufficient).
4. Proof of purchase (photocopy of the invoice).

In some cases, Napoleon could request to have the parts returned to the factory for inspection before providing replacement parts.

Before contacting Napoleon dealer, please note that the following items are not covered by the warranty:

- Costs for transportation, brokerage or export duties.
- Labour costs for removal and reinstallation.
- Costs for service calls to diagnose problems.
- Discolouration of stainless steel parts.
- Part failure due to lack of cleaning and maintenance, or use of improper cleaners (oven cleaner or other harsh chemicals).



CAUTION! During unpacking and assembly we recommended you wear work gloves and safety glasses for your protection. Although we make every effort to make the assembly process as problem free and safe as possible, it is characteristic of fabricated steel parts that the edges and corners might be sharp and could cause cuts if handled incorrectly.

WARNING! Construction materials and masonry dust may cause surface damage to units and accessories. The best option is to install components after all construction has been completed and the jobsite has been thoroughly cleaned. If the components must be installed prior to the construction being completed, then exposed surfaces need to be covered to prevent corrosion. All surfaces must be cleaned when construction is completed. Do not use muriatic acid to clean masonry materials from any surfaces. The lime contained in some construction materials is extremely corrosive. During its curing period, (1 - 2 months) it is recommended that a stainless steel polish or wax (car wax is acceptable) be applied to prevent direct contact of the lime materials.

Getting Started

1. Remove all cart panels, hardware, and grill head from carton. Raise lid and remove any components packed inside. Use the parts list to ensure all necessary parts are included.
2. Do not destroy packaging until the grill has been fully assembled and operates to your satisfaction.
3. Assemble the grill where it is to be used, lay down cardboard or a towel to protect parts from being lost or damaged while assembling.



4. Most stainless steel parts are supplied with a protective plastic coating that must be removed prior to using the grill. The protective coating has been removed from some of the parts during the manufacturing process and may have left behind a residue that can be perceived as scratches or blemishes. To remove the residue, vigorously wipe the stainless steel in the same direction as the grain.

5. Follow all instructions in the order that they are laid out in this manual.

6. Two people are required to lift the grill head onto the assembled cart.

If you have any questions about assembly or grill operation, or if there are damaged or missing parts please call our Customer Solutions Department at 1-866-820-8686 between 9 AM and 5 PM (Eastern Standard Time).

TOOLS REQUIRED FOR ASSEMBLY (tools not included)



10 mm

BUILT-IN UNIT OPENING DIMENSIONS

EN

MODEL	OPENING DIMENSIONS			NOTES
	W	D	H	
BIPRO500	781mm	524mm	225mm	WITHOUT ZERO CLEARANCE LINER
SIDE BURNER	324mm	419mm	114mm	OPENING OF AT LEAST 32cm ² MUST BE PROVIDED FOR COMBUSTION AIR FOR SIDE BURNER.



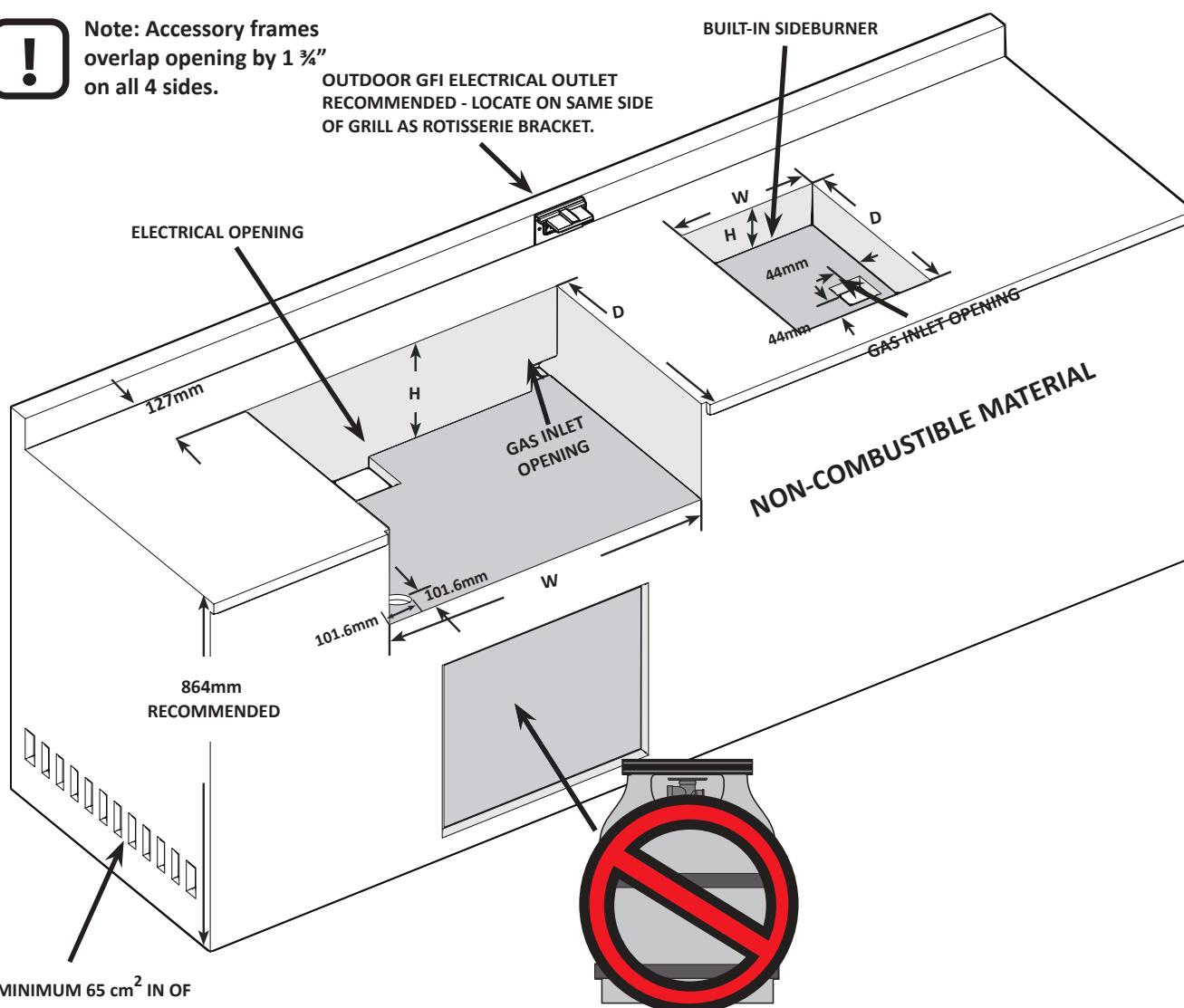
WARNING! This grill is designed for installation in a built-in enclosure constructed of combustible materials when installed with zero clearance liner Part No. BI-3323-ZCL and must be installed and serviced by a qualified installer to local codes.



WARNING! If not installing with the Zero Clearance Liner, use only non-combustible materials (certified class A to EN 13501-1 standard) when finishing the appliance (e.g. steel studs, cement board, ceramic tile, marble, paint, etcetera). Do not use wood or drywall.



Note: Accessory frames overlap opening by 1 3/4" on all 4 sides.



MINIMUM 65 cm² IN OF VENTILATION REQUIRED ON EACH END OF CABINET

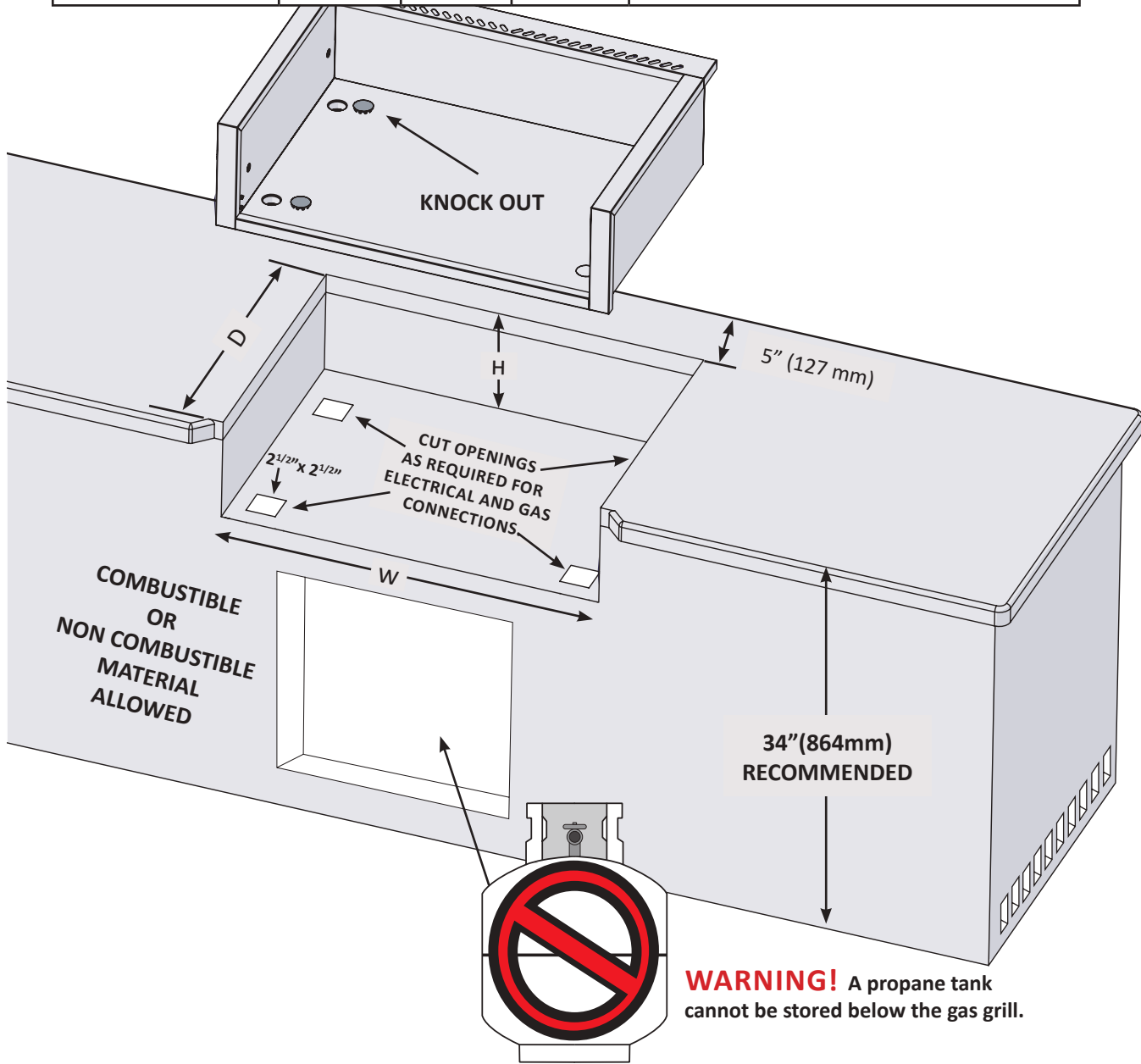


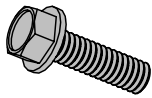
WARNING! CABINET FRAME, CABINET AND COUNTER TOP MUST BE MADE FROM NON-COMBUSTIBLE MATERIAL WHEN NOT INSTALLED WITH THE ZERO CLEARANCE LINER PART NO. BI-3323-ZCL



BUILT-IN UNIT OPENING DIMENSIONS

MODEL	OPENING DIMENSIONS			NOTES
	W	D	H	
BIP / BIPRO500 WITH ZERO CLEARANCE SHELL BI-3323-ZCL	33" / 840 mm	22 9/16" / 573 mm	9 1/16" / 230 mm	

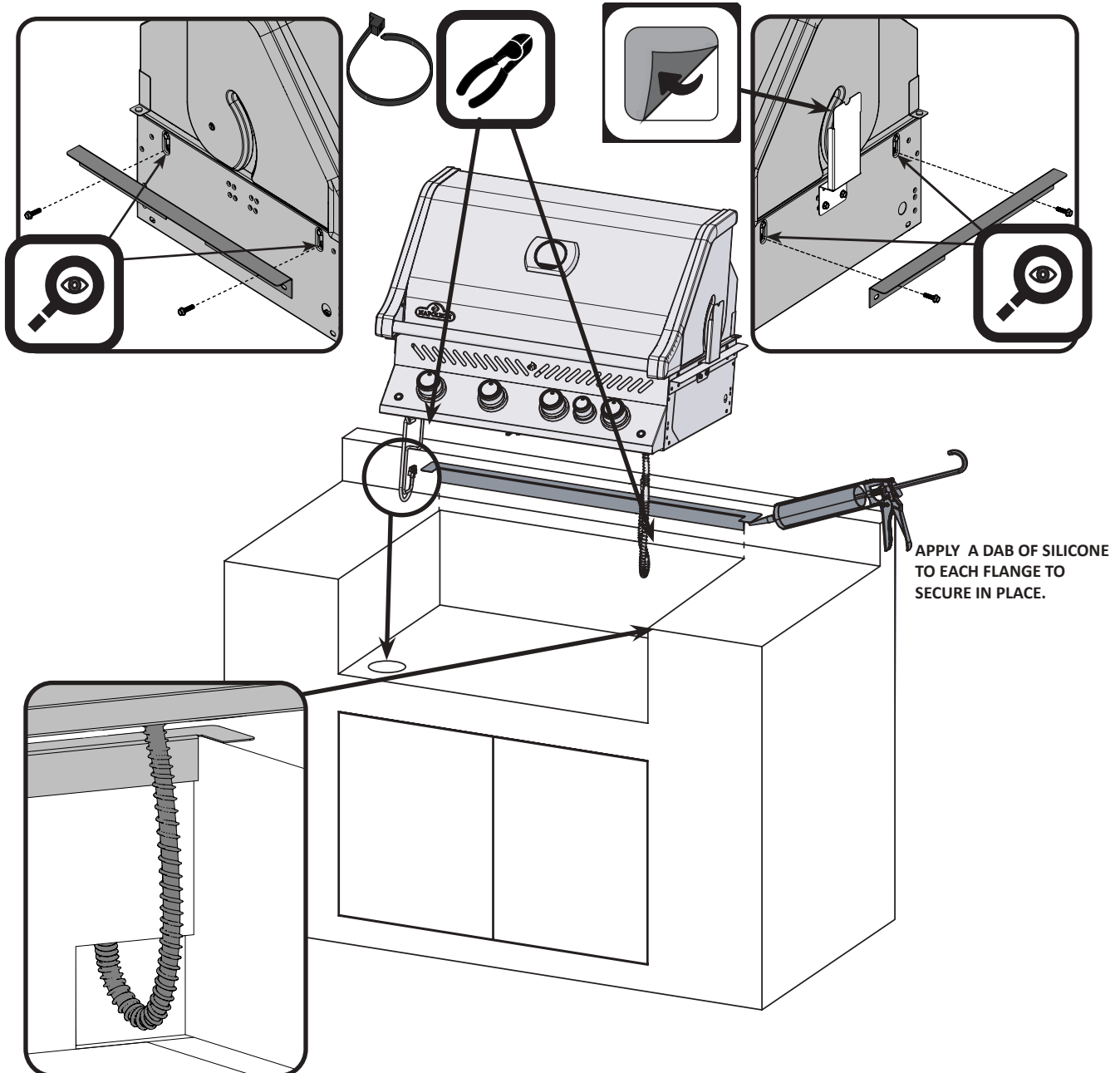


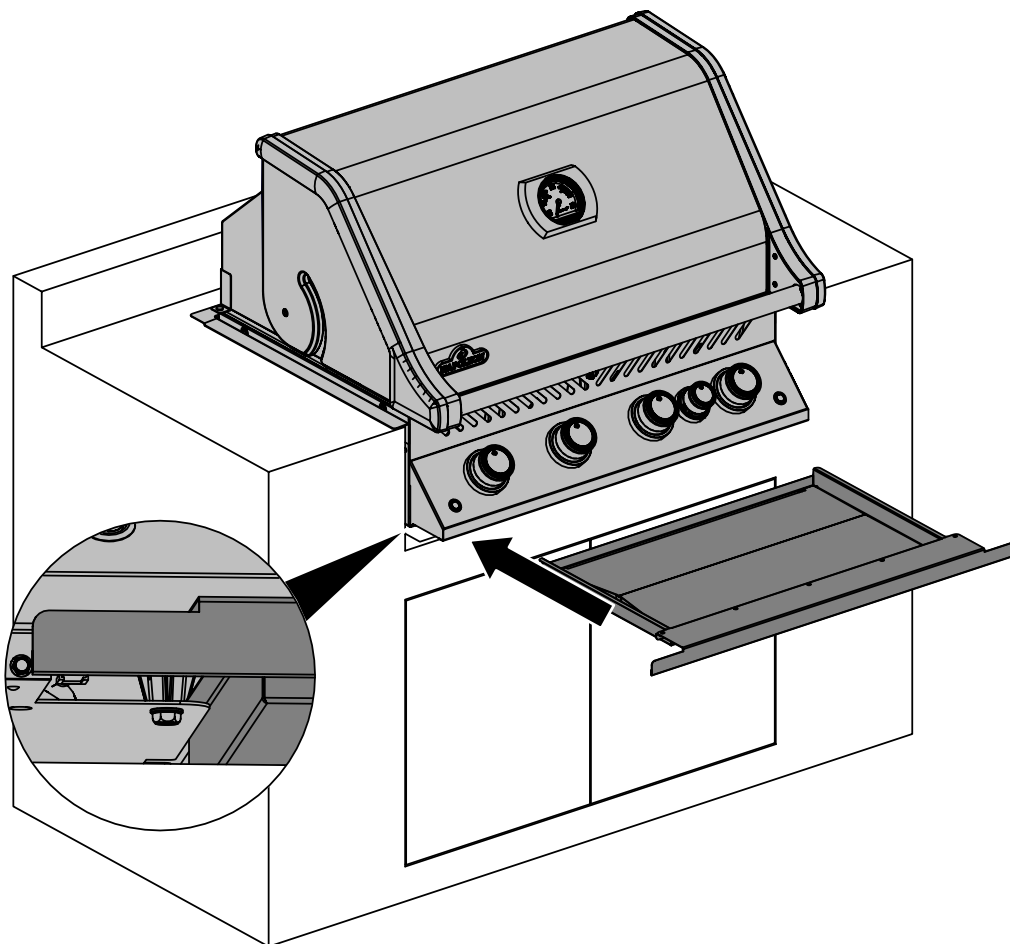
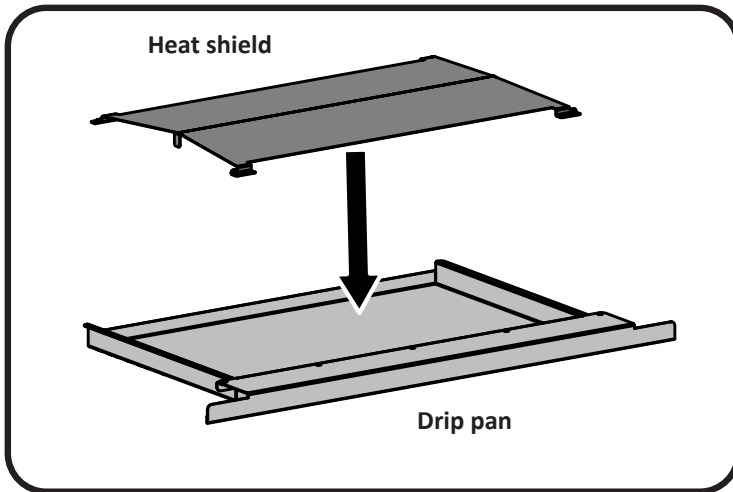
 **x4** (Pre-installed at factory.)
N570-0087 (1/4" -20 X 7/8")

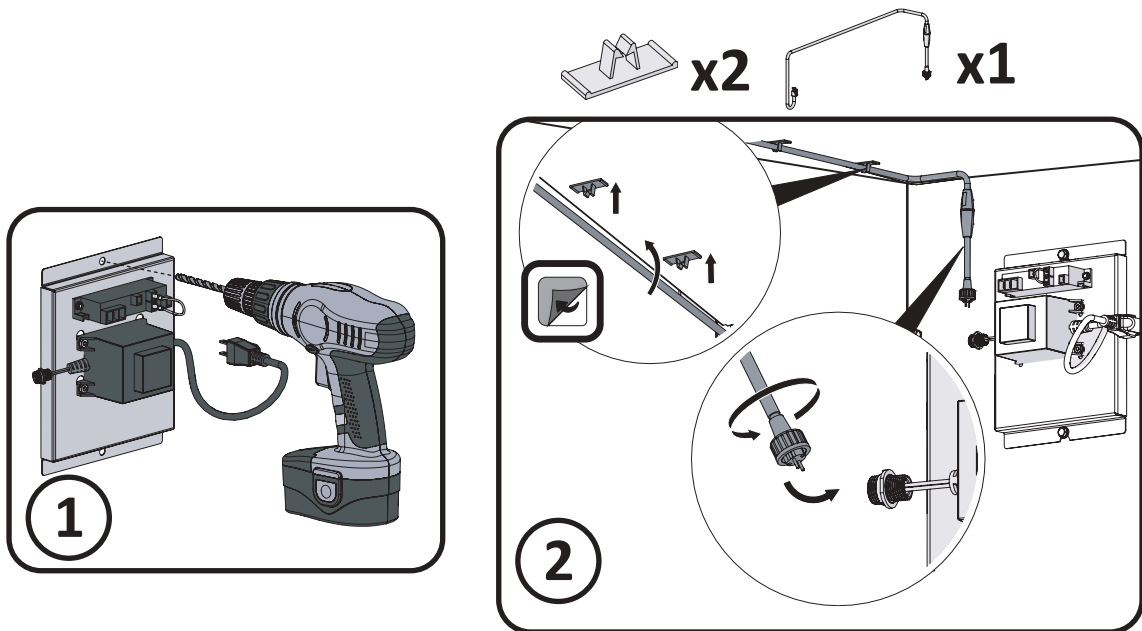
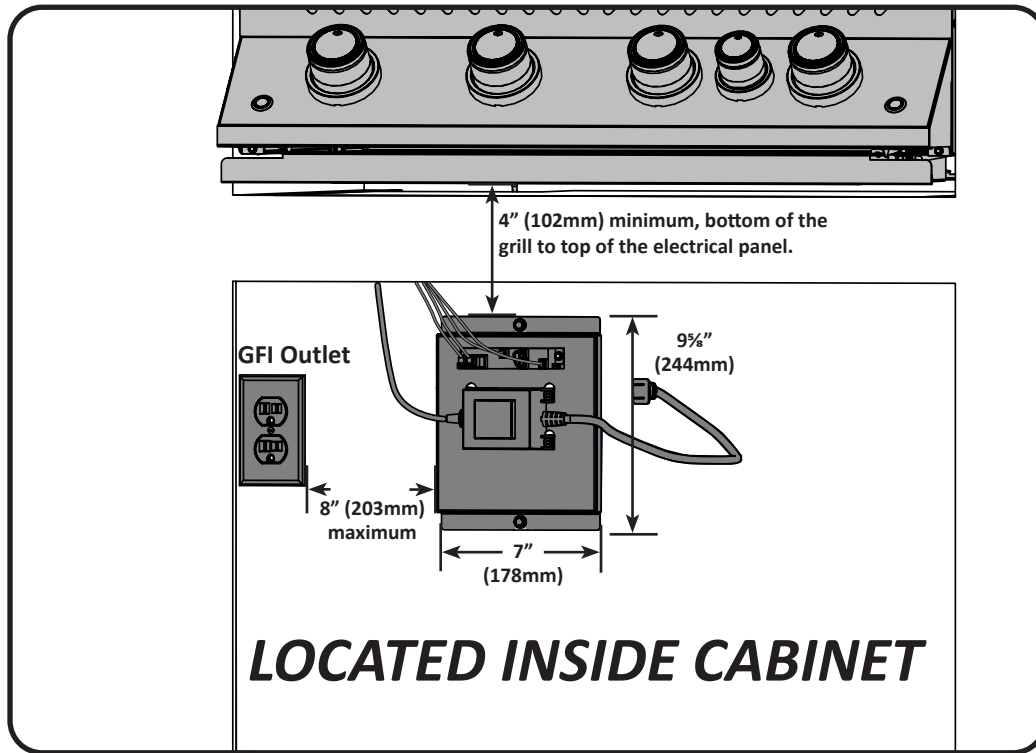


This grill is designed for masonry, NON-COMBUSTIBLE enclosures only when not installed with zero clearance liner, and must be installed and serviced by a qualified installer to local codes.

1. Attach the side mounting brackets to each side of the grill using (4) 1/4 - 20 x 7/8" screws (N570-0087). Pre-installed at factory.
2. Lay the rear trim piece across the back of the opening. To keep it in place, a dab of silicone may be applied to each wing of the rear trim.
3. Lower the unit in place, the wings on the rear trim should be under the side mounting brackets. Connect the flex supply line to the fitting at the end of the manifold.
4. The entire installation must be leak tested before operating the unit.



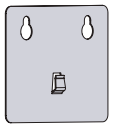




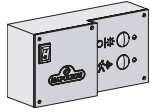
WARNING! Failure to follow these instructions could result in property damage, personal injury or death.

The grills electrical systems are pre assembled in an electrical box which must be mounted a minimum of 4" (102 mm) below the bottom of the grill as illustrated. Fasten the electrical box to the inside of the enclosure, making sure the ventilation holes are not obstructed.

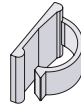
Plug the power supply into a Ground Fault Interrupter (GFI) protected circuit. Never remove the grounding plug or use with an adapter of 2 prongs.



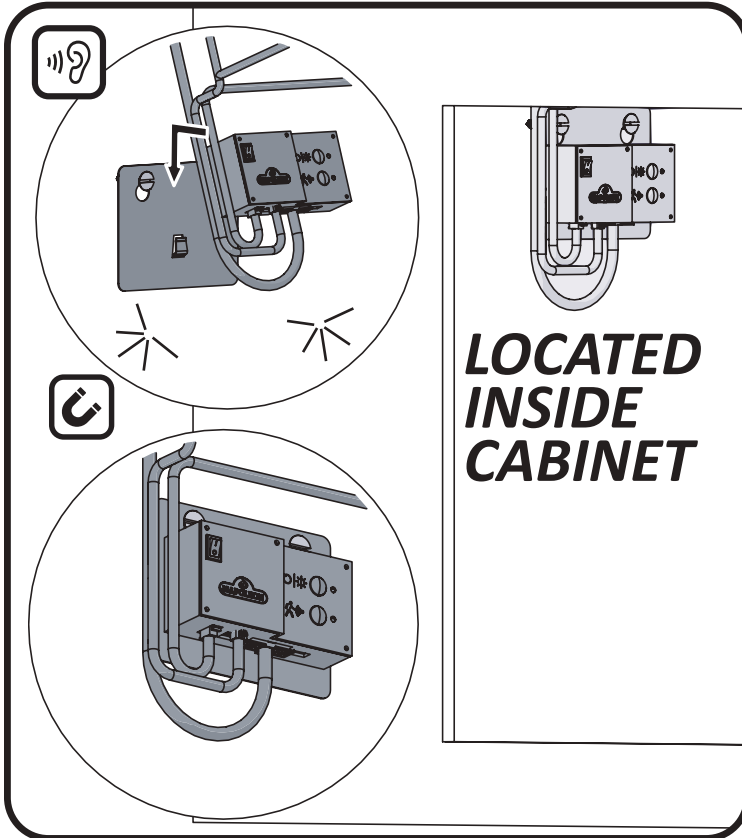
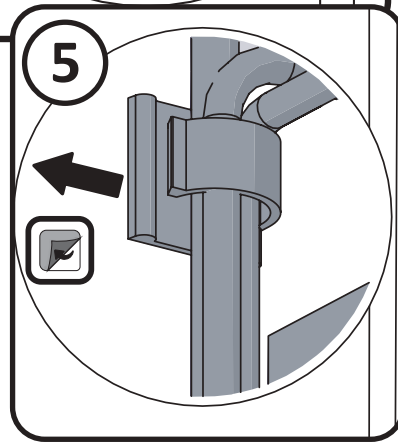
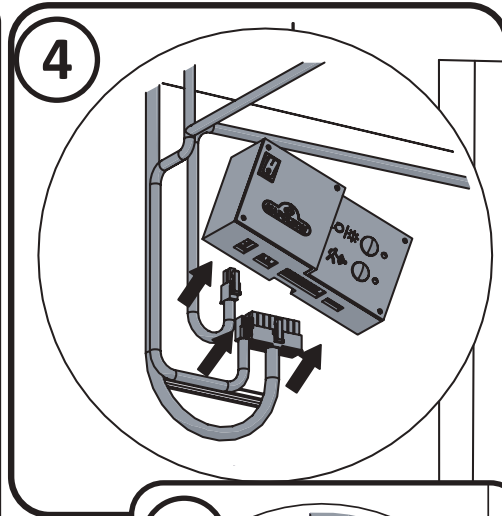
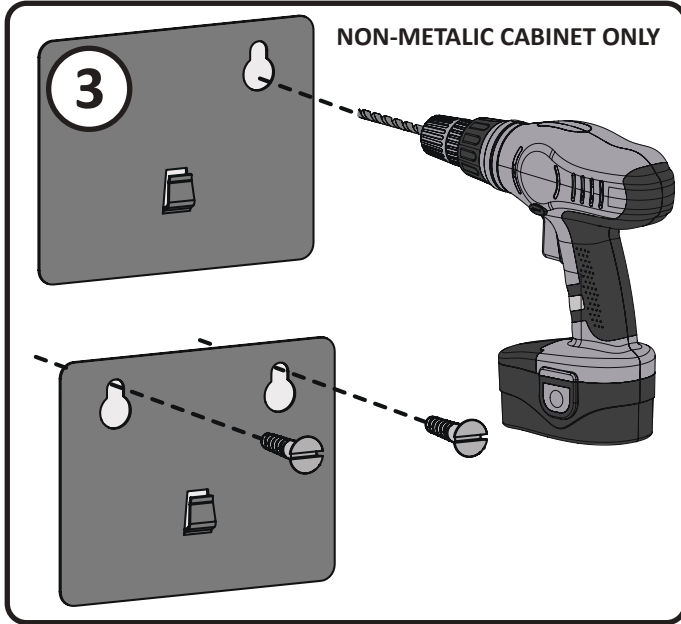
x1



x1

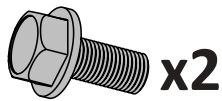


x1





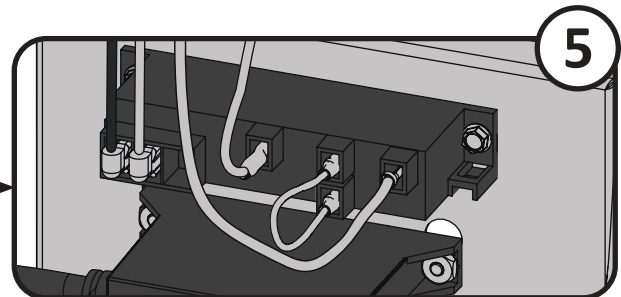
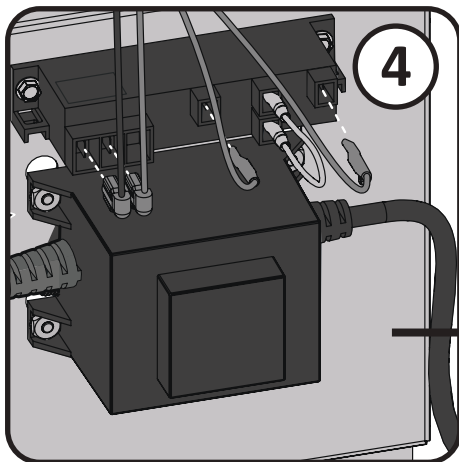
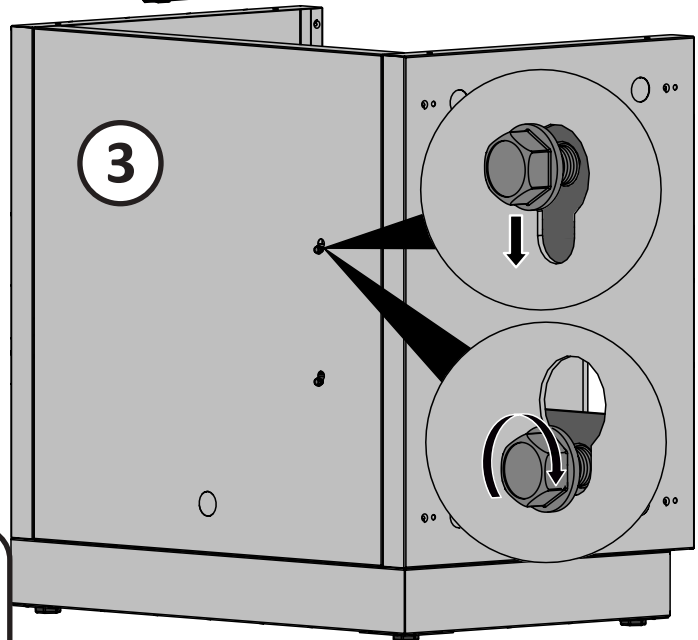
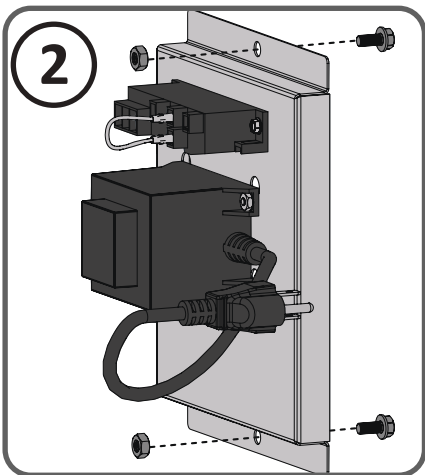
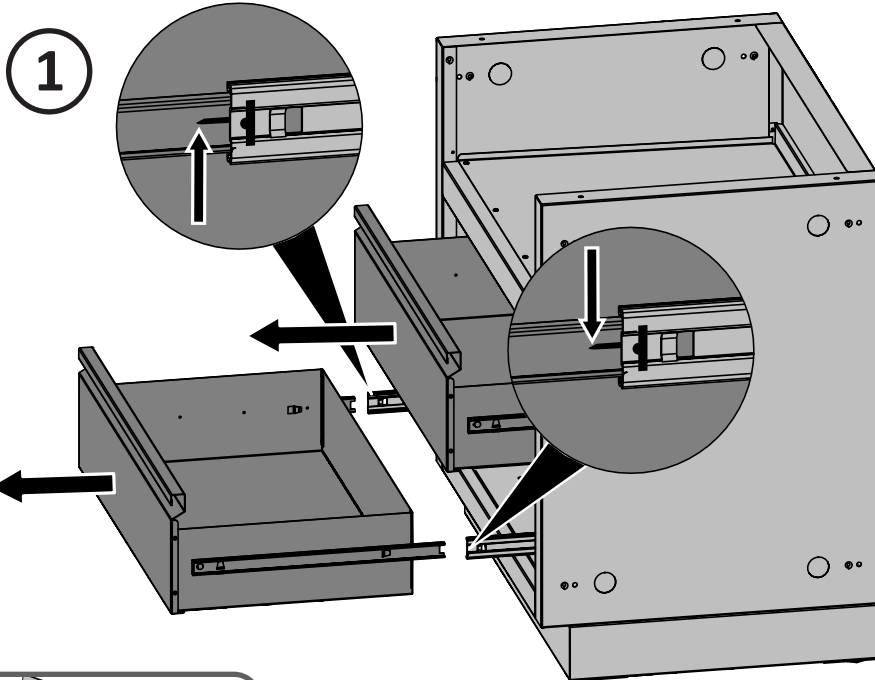
IM-UGC500

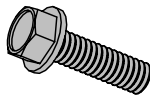


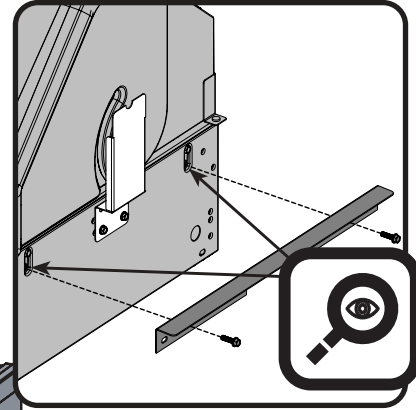
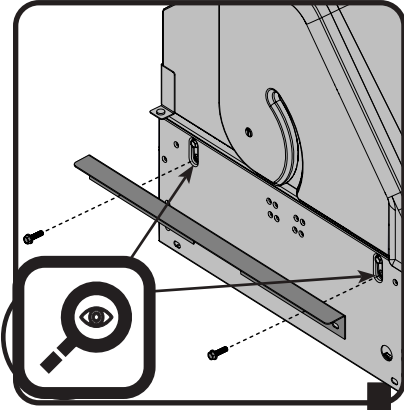
N570-0038 (1/4"-20 X 1/2")



N450-0008 (1/4"-20)

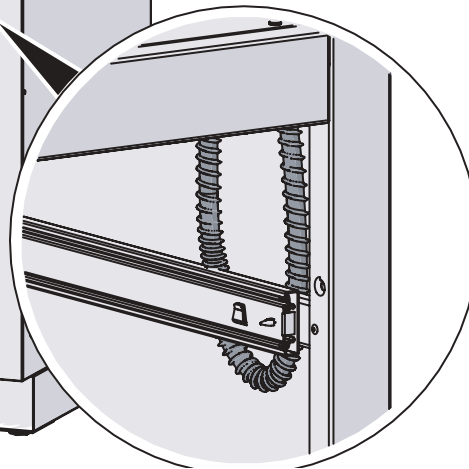
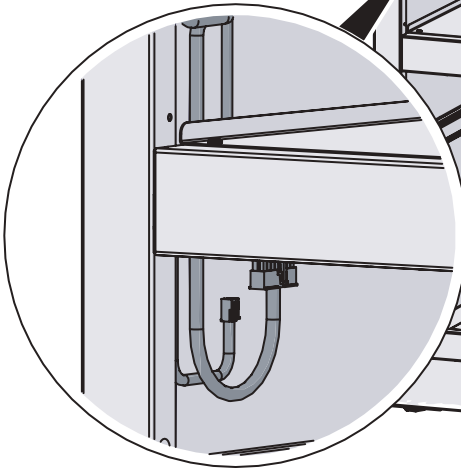


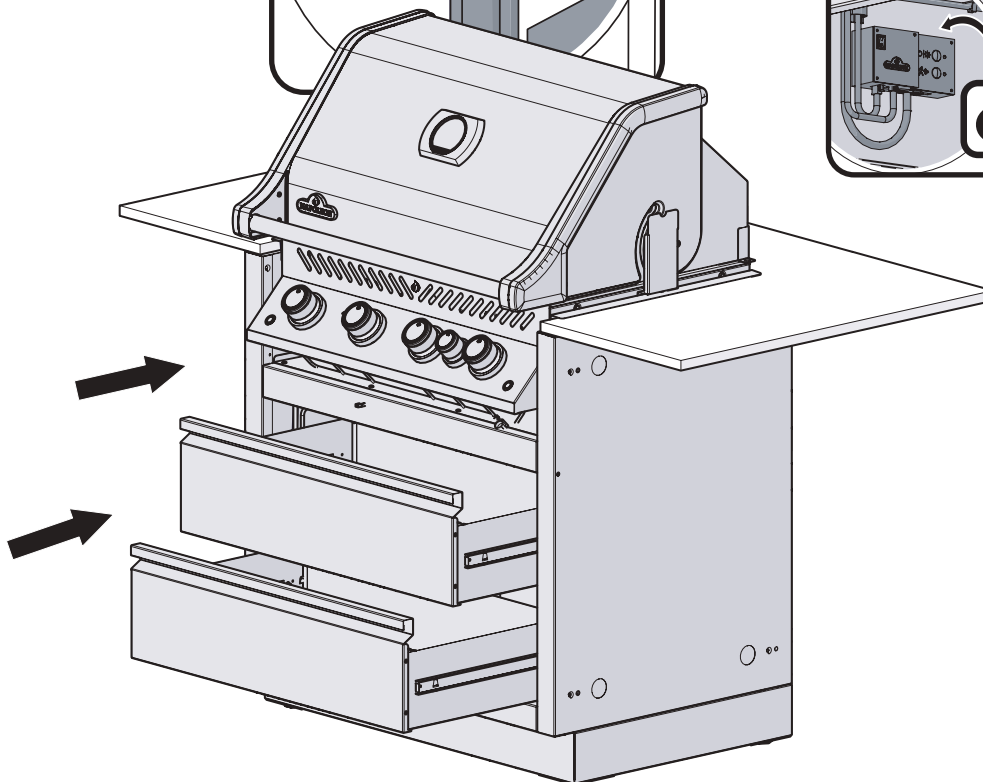
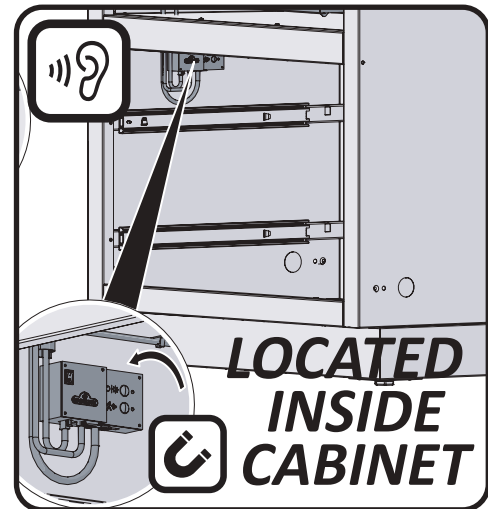
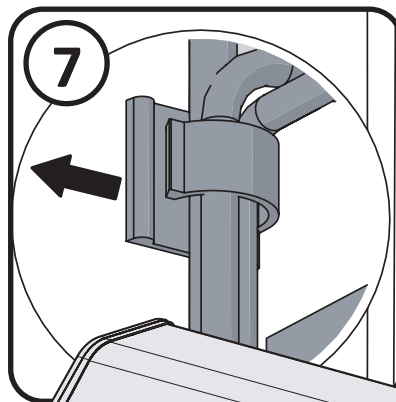
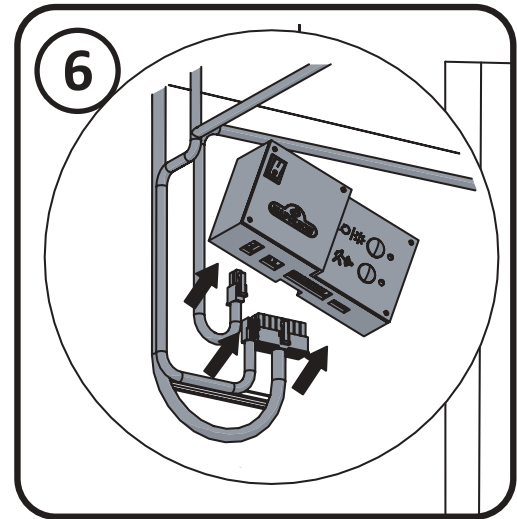
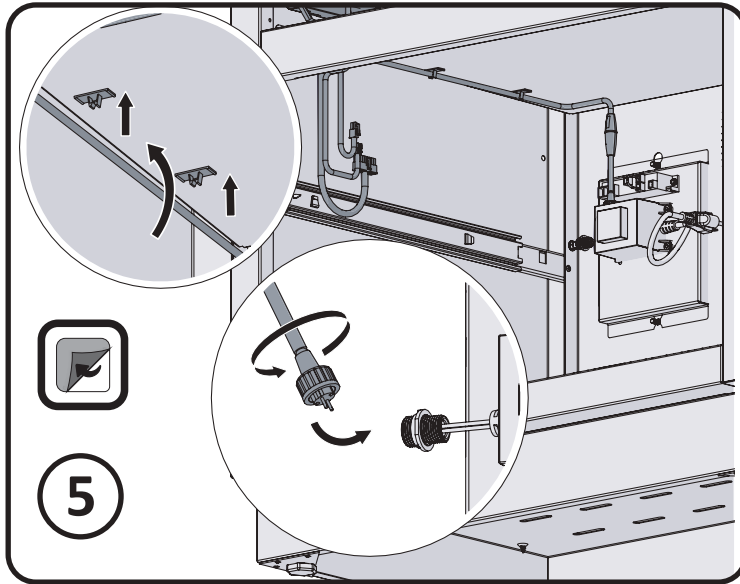
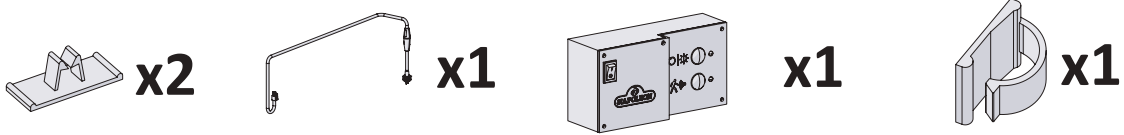
 **x4** (Pre-installed at factory.)
 N570-0087 (1/4" -20 X 7/8")

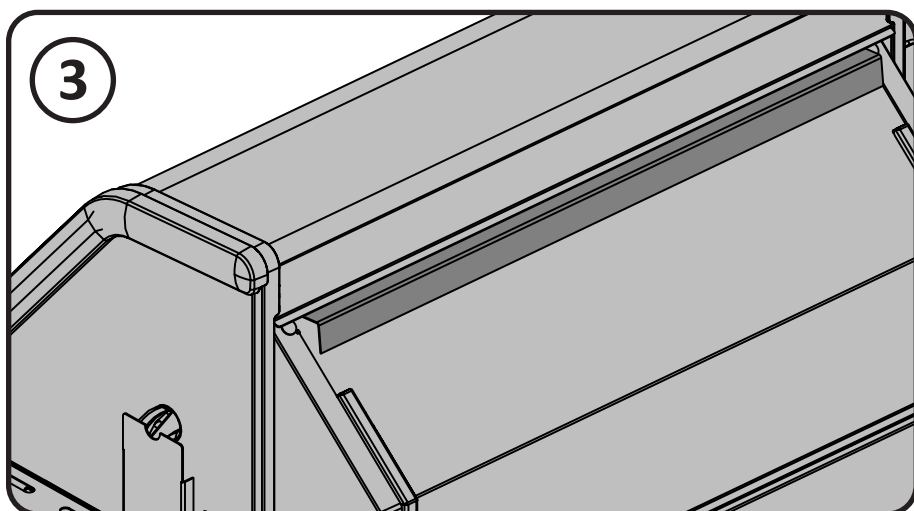
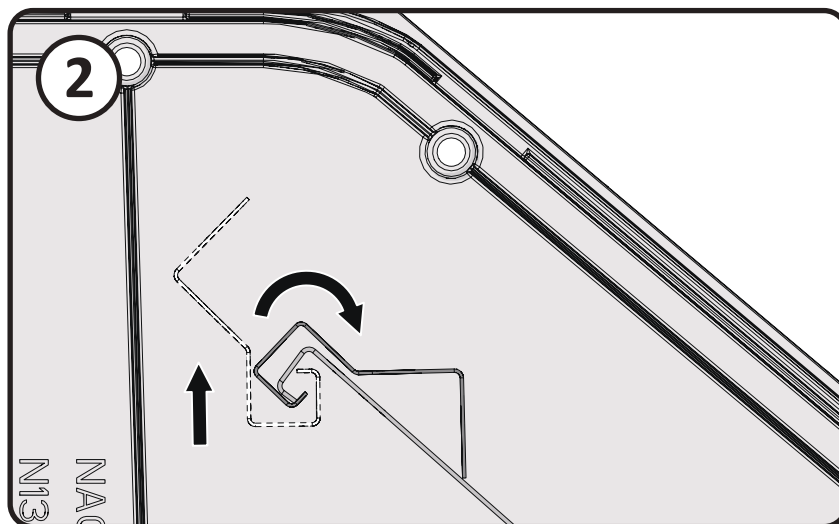
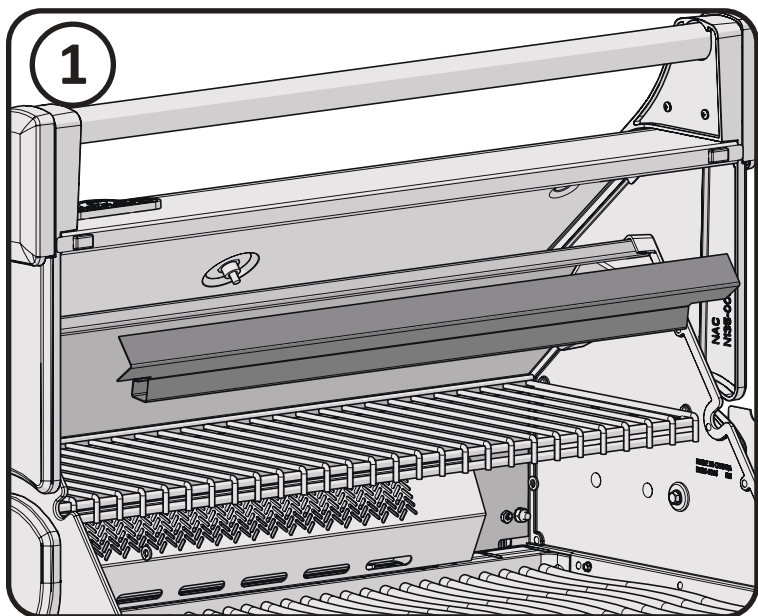


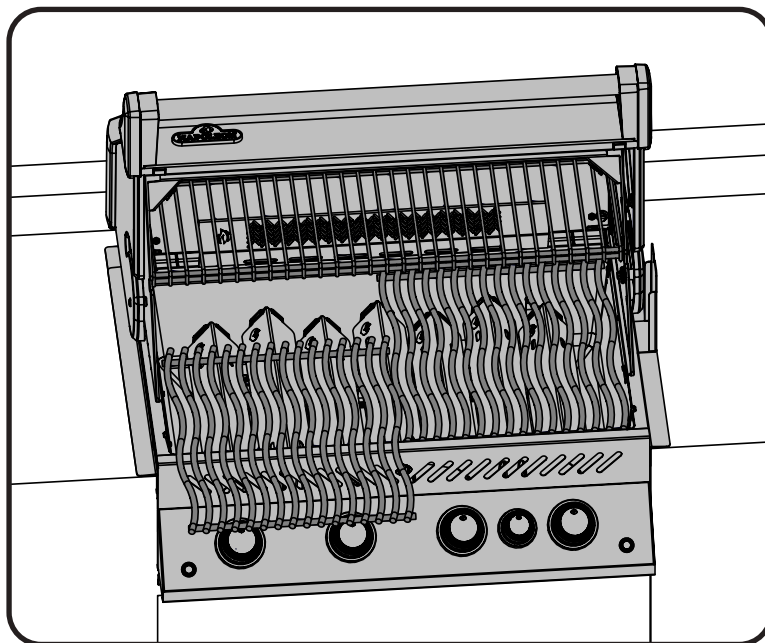
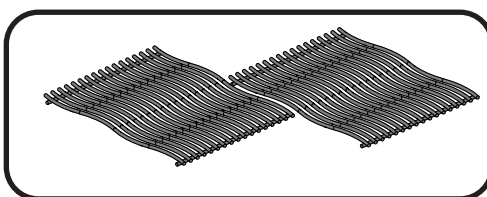
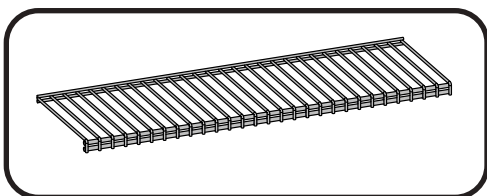
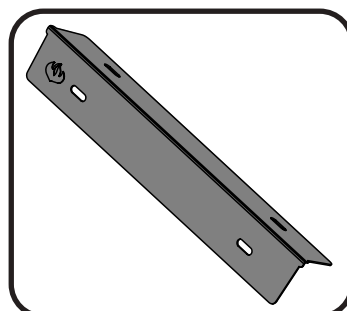
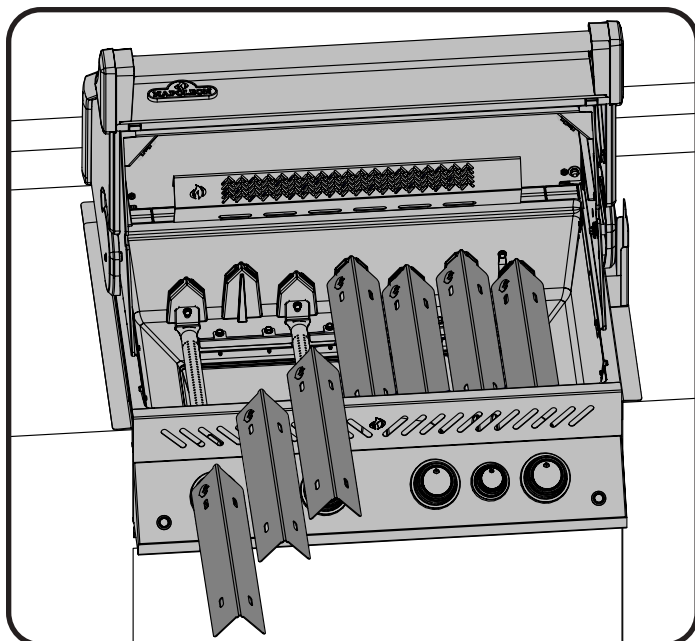
COUNTER TOP REQUIRED.
(NOT INCLUDED)

IM-UGC500









Label provided

PEEL THE BACKING OFF THE SUPPLIED WARNING LABEL AND APPLY IT WHERE IT IS VISIBLE WHEN OPERATING THE GRILL.

Leak Testing Instructions



WARNING! A leak test must be performed annually and each time a cylinder is hooked up or if a part of the gas system is replaced.



WARNING! Never use an open flame to check for gas leaks. Be certain no sparks or open flames are in the area while you check for leaks. Sparks or open flames will result in a fire or explosion, damage to property, serious bodily injury, or death.



Leak testing: This must be done before initial use, annually, and whenever any gas components are replaced or serviced. Do not smoke while performing this test, and remove all sources of ignition. See Leak Testing Diagram for areas to check. Turn all burner controls to the off position. Turn gas supply valve on.

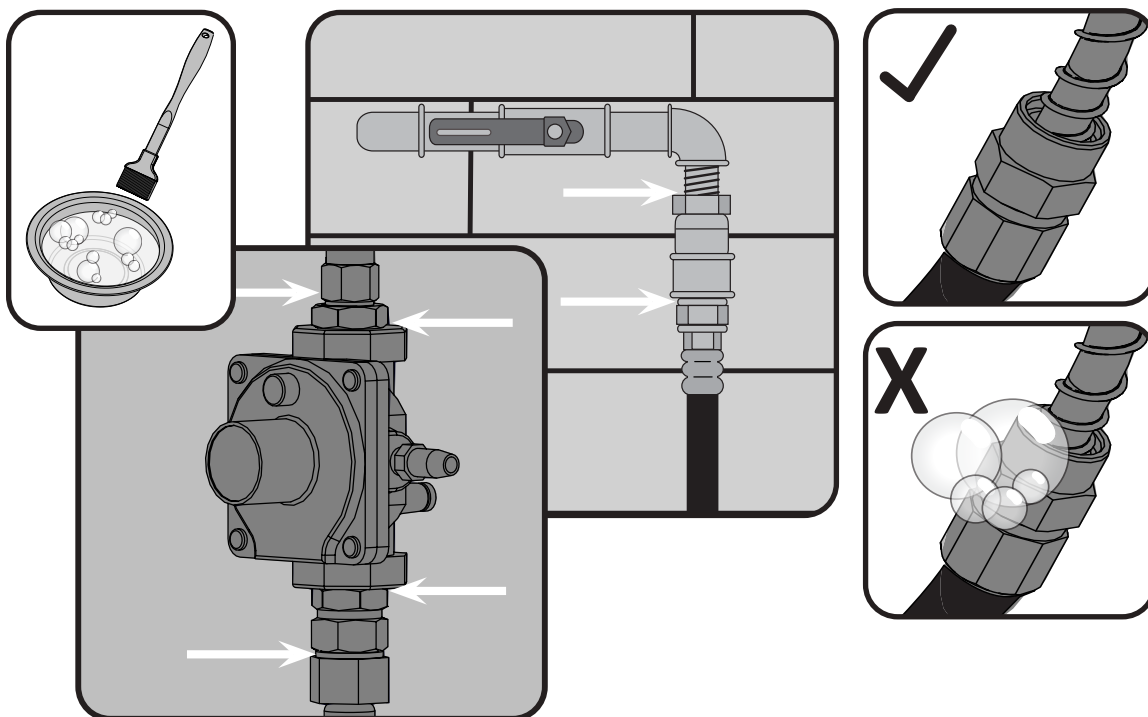
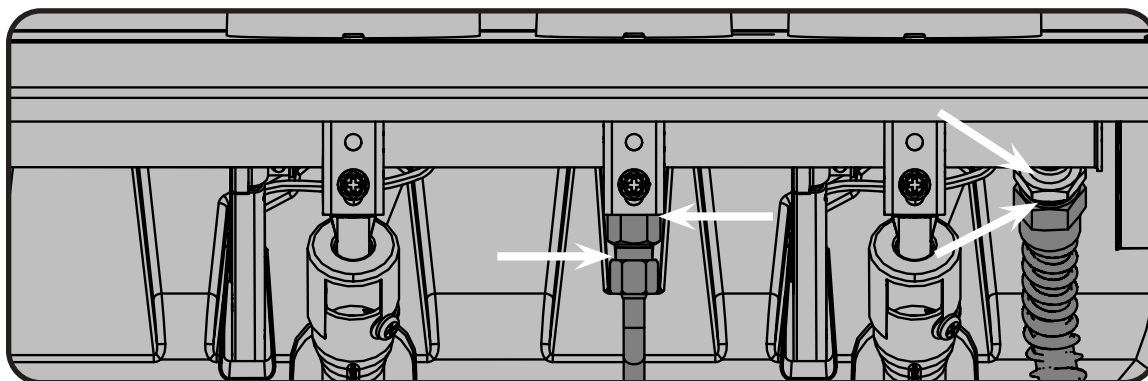


Brush a half-and-half solution of liquid soap and water onto all joints and connections of the regulator, hose, manifolds and valves.



Bubbles will indicate a gas leak. Either tighten the loose joint or have the part replaced with one recommended by the Napoleon Customer Solutions department and have the grill inspected by a certified gas installer.

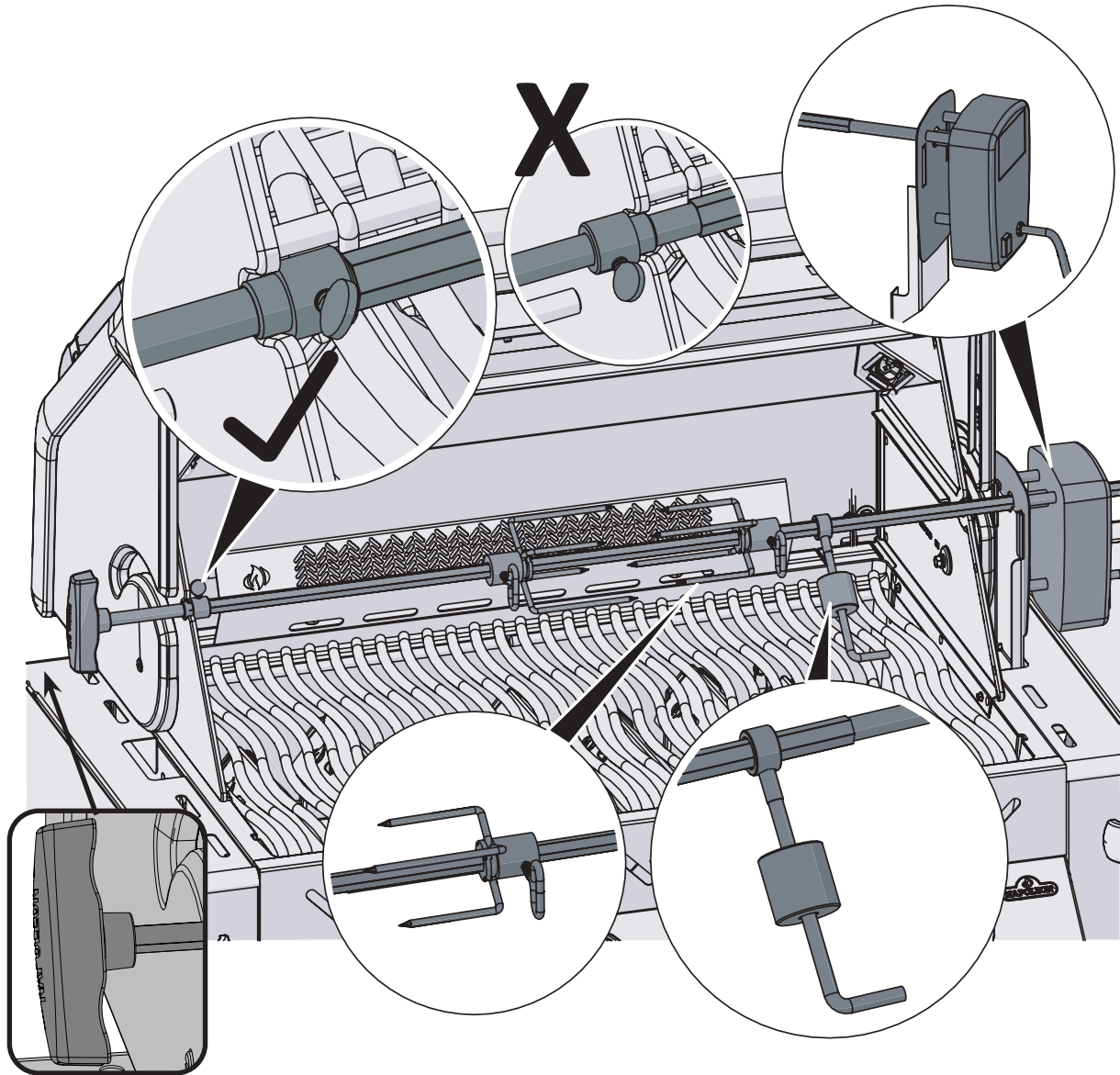
If the leak cannot be stopped, **immediately shut off the gas supply**, disconnect it, and have the grill inspected by a certified gas installer or dealer. Do not use the grill until the leak has been corrected.



Rotisserie Kit Assembly Instruction

(optional)

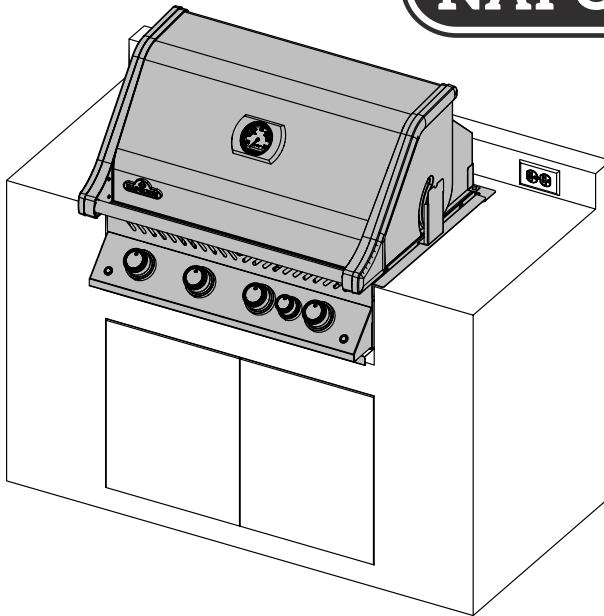
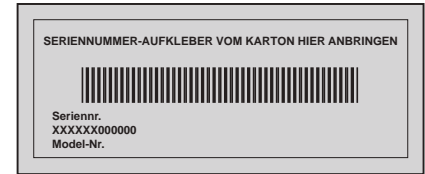
Assemble rotisserie kit components as shown.



Ensure stop bushing is tightened on the inside of hood casting.



Dieser Gasgrill darf nur an einem gut belüfteten Ort im Freien benutzt werden, nicht jedoch in einem Gebäude, einer Garage oder einem anderen geschlossenen Bereich.



DE



BIPRO 500



WAARSCHUWING! UNTERSCHRANK, DESSEN RAHMEN UND DIE ARBEITSFLÄCHE SIND AUS NICHT-BRENNBAREN MATERIALIEN HER ZU STELLEN. DIE EINZIGE AUSNAHME IST, WENN DER GRILL IM ISOLIERTEN GEHÄUSE FÜR EINBAUGRILLS, ARTNR. BI-3323-ZCL, INSTALLIERT IST.



GEFAHR

WENN ES NACH GAS RIECHT:

- Gaszufuhr zum Gerät absperren.
- Flammen löschen.
- Haube öffnen.
- Wenn es weiterhin nach Gas riechen sollte, dem Gerät fernbleiben und unverzüglich den Gaslieferanten oder die Feuerwehr benachrichtigen.



WARNUNG

Vor dem Zünden dieses Geräts bitte unbedingt den Abschnitt „ZÜNDANLEITUNG“ lesen. In der Nähe dieses oder anderer Geräte dürfen weder Benzin noch andere brennbaren Flüssigkeiten oder Gase gelagert werden. Dies gilt auch für nicht angeschlossene Gasflaschen. Ein Nichtbefolgen dieser Anleitung kann durch Brände oder Explosionen zu Sachschäden und Körperverletzungen, auch zu tödlichen, führen.

Erwachsene und insbesondere Kinder sollten vor den Gefahren beim Umgang mit hohen Oberflächentemperaturen gewarnt werden. Kleine Kinder, die sich in der Nähe des Gasgrills aufhalten, sollten stets beaufsichtigt werden.

Bitte Bewahren Sie Diese Anleitung Auf



N415-0541CE-GB-DE JULY 15.20

Wolf Steel Europe BV
De Riemsdijk 22, 4004 LC, Tiel
The Nederlands
eu.info@napoleon.com

www.napoleon.com

Napoleon President Beschränkte Garantie auf Lebenszeit



Hochwertige Komponenten und Materialien bilden die Grundlage der NAPOLEON Produkte. Sie werden von gelernten Handwerkern, denen ihre Arbeit mit großem Stolz erfüllt, montiert. Brenner und Ventilsystem wurden an einem Prüfstand auf Dichtigkeit geprüft und im Test betrieben. Dieses Produkt wurde durch einen Fachmonteur gründlich geprüft, bevor es verpackt und ausgeliefert wurde, um zu garantieren, dass Sie, der Kunde, das erwartete Qualitätsprodukt von NAPOLEON erhalten.

DE

NAPOLEON garantiert, dass die Bestandteile Ihres neuen NAPOLEON Produkts ab dem Kaufdatum für den folgenden Zeitraum frei von Material- und Arbeitsfehlern sein werden:

Alugussteile / Edelstahlrahmen	Lebensdauer
Edelstahl Deckel.....	Lebensdauer
Porzellan-Emaillierter Deckel	Lebensdauer
Edelstahl-Grillroste	Lebensdauer
Edelstahl-Rohrbrenner	10 Jahre voller Umfang, abzüglich 50 % auf Lebenszeit
Grillroste aus porzellanbeschichtetem Gusseisen.....	10 Jahre voller Umfang, abzüglich 50 % auf Lebenszeit
Edelstahl-Flammenschutzsätze	5 Jahre voller Umfang, abzüglich 50 % auf Lebenszeit
Edelstahl-Infrarotbrenner für Drehspießgerichte	5 Jahre voller Umfang, abzüglich 50 % auf Lebenszeit
Keramik-Infrarotbrenner (ohne Abdeckgitter)	5 Jahre voller Umfang, abzüglich 50 % auf Lebenszeit
Alle anderen Teile	2 Jahre

***Bedingungen und Beschränkungen**

Diese beschränkte Garantie bewirkt eine wie zuvor in der Aufstellung aufgeführte Garantiefrist für jedes bei einem autorisierten NAPOLEON Händler erworbene Produkt und berechtigt den ursprünglichen Käufer, entsprechend den geltenden Bestimmungen hinsichtlich des Komponentenaustauschs innerhalb der Garantiefrist, zu den entweder durch NAPOLEON oder einen autorisierten NAPOLEON Händler zu erbringenden Garantieleistungen. Diese beziehen sich auf den Austausch einer Komponente eines solchen Produkts, das im normalen Privatgebrauch infolge eines Herstellungsfehlers ausfiel. „Abzüglich 50 %“, wie in der Aufstellung genannt, bedeutet, dass die Komponente dem Käufer für den angegebenen Zeitraum mit 50 % Rabatt auf den regulären Verkaufspreis der Komponente angeboten wird. Diese beschränkte Garantie umfasst weder Zubehör noch Extrateile.

Um Missverständnissen vorzubeugen, „normaler Privatgebrauch“ eines Produkts bedeutet, dass das Produkt durch einen lizenzierten, autorisierten Servicetechniker oder Auftragnehmer in Übereinstimmung mit der dem Produkt beigefügten Installationsanleitung sowie allen lokalen und nationalen Bauverordnungen und Feuerschutzbestimmungen installiert wurde, dass es ordnungsgemäß gepflegt wurde und dass es nicht als Gemeinschaftsvorrichtung oder gewerblich genutzt wurde.

'Ausfallen' beinhaltet nicht: übermäßige Hitzeerzeugung; Erlöschen der Flammen infolge von Umgebungsbedingungen wie starkem Wind oder unzureichender Luftzirkulation; Kratzer; Beulen; Rostbildung; Abnutzung von aufgetragenen Lackierungen und Plattierungen; durch Hitzeeinwirkung, scheuernde oder chemische Reinigungsmittel oder UV-Bestrahlung verursachte Verfärbung; Beschädigung porzellan-emaillierter Teile oder Schäden, die verursacht wurden durch unsachgemäße Nutzung, Unfall, Hagel, Fettbrand, mangelnde Pflege, widrige Umgebungseinflüsse wie Salz oder Chlor, Umbau, Nachlässigkeit oder installierte

Teile von anderen Herstellern. Sollten sich während der gewährten Garantiefrist Teile so sehr abnutzen, dass die Nutzung nicht mehr möglich ist (durchgerostet oder -gebrannt), werden die entsprechenden Ersatzteile bereitgestellt.

NAPOLEON ist gemäß dieser beschränkten Garantie einzig für die Ersatzkomponente verantwortlich. Unter keinen Umständen wird NAPOLEON Verantwortung übernehmen für Installation, Arbeitskräfte oder jegliche andere Kosten im Zusammenhang mit der Installation eines im Garantiefumfang enthaltenen neuen Teils; für Neben-, Folge- oder indirekte Schäden oder für Fracht, Arbeitskosten oder Ausfuhrzölle.

Diese beschränkte Garantie gilt in Ergänzung zu jeglichen Rechten, die Ihnen laut den örtlichen Gesetzen zustehen. Folglich erlegt diese beschränkte Garantie NAPOLEON keine Verpflichtung dahingehend auf, Einzelteile vorrätig zu halten. Auf der Grundlage der Einzelteilverfügbarkeit kann sich NAPOLEON nach eigenem Ermessen von allen Verpflichtungen entbinden, indem dem entsprechenden Kunden eine anteilige Gutschrift beim Kauf eines neuen Produkts gewährt wird. Nach dem ersten Jahr kann sich NAPOLEON in Bezug auf diese beschränkte Garantie nach eigenem Ermessen von allen Verpflichtungen hinsichtlich dieser Garantie vollständig entbinden, indem dem ursprünglichen und ein Garantieanspruch zustehenden Käufer der Großhandelspreis eines jeden im Garantiefumfang enthaltenen aber defekten Einzelteils erstattet wird.

Für die Geltendmachung von Garantieansprüchen bei NAPOLEON sind der Kaufvertrag oder eine Kopie dessen sowie die Serien- und Modellnummer erforderlich.

NAPOLEON ist das Recht vorbehalten, durch einen damit beauftragten Vertreter jedes Produkt oder Teil prüfen zu lassen, bevor einem Garantieanspruch stattgegeben wird. Sie müssen sich an den NAPOLEON Kundendienst oder einen autorisierten NAPOLEON Händler wenden, um von der angebotenen Garantie profitieren zu können.



www.napoleon.com



ACHTUNG! Nichtbefolgung dieser Anweisungen kann zu Bränden mit schweren Verletzungen oder zum Tod führen. Lesen Sie die Sicherheitshinweise sorgfältig und leisten Sie diesen Folge bevor Sie den Grill in Betrieb nehmen.

Vorsichtsmassnahmen

- Bei der Montage dieses Gasgrills müssen die Anweisungen im Handbuch genau befolgt werden. Falls der Grill vollständig montiert aufbewahrt wurde, müssen die Montageanweisungen erneut überprüft und die erforderlichen Prüfungen auf Gaslecks durchgeführt werden, bevor der Grill in Betrieb genommen wird.
- Vor dem ersten Gebrauch des Gasgrills die gesamte Anleitung lesen.
- Diesen Gasgrill nur im Freien an einer gut belüfteten Stelle lagern. Niemals in einem Gebäude, einer Garage oder einem geschlossenen Bereich/Raum benutzen.
- Dieser Gasgrill ist nicht zum Einbau in Wohnwagen/Wohnmobilen und/oder Booten vorgesehen.
- Gerät nur an einem windgeschützten Ort aufstellen. Die Kochleistung des Gasgrills wird durch starke Windeinwirkung beeinträchtigt.
- Auf keinen Fall darf dieser Gasgrill modifiziert werden.
- Gerät niemals unter einer brennbaren baulichen Struktur betreiben.
- Ausreichenden Abstand zu brennbaren Materialien einhalten 27" (686 mm) zur Geräterückseite, 24" (610 mm) zu den Seitenteilen). Zusätzlicher 24" (610 mm) Abstand ist empfehlenswert, wenn das Gerät in der Nähe von Vinyl-Verkleidungen oder großen Fensterscheiben aufgestellt wird.
- Stellen Sie sicher, dass die Lüftungslöcher des Zylinders stets frei von Schmutz und Ablagerungen sind.
- Wenn der Gasgrill nicht benutzt wird, muss die Gaszufuhr an der Gasflasche oder die Erdgaszuleitung abgesperrt werden.
- Kinder und Haustiere vom heißen Grill fernhalten, Kinder NICHT in den Unterschrank klettern lassen.
- Kinder vom Grill fernhalten oder beaufsichtigen - dieses Gerät ist kein Spielzeug!
- Dieses Gerät ist für den Gebrauch durch Personen (einschließlich Kindern) mit eingeschränkten physischen, sensorischen oder psychischen Fähigkeiten bzw. ohne jegliche Erfahrung oder Vorwissen nur dann geeignet, wenn eine angemessene Aufsicht oder ausführliche Anleitung zur Benutzung des Geräts durch eine verantwortliche Person sichergestellt ist.
- Falls ein Propangaszylinder im Schrank aufbewahrt werden soll, muss der Gasflaschenschrank gemäß lokalen Vorschriften belüftet sein und es darf keine Verbindung mit der Montageöffnung für den Gasgrill bestehen. Propangasflaschen dürfen nicht unterhalb des Gasgrills gelagert werden.
- Versuchen Sie nicht, eine Gasflasche zu verwenden, die nicht mit einer Verbindung vom Typ QCC1 ausgestattet ist.
- Wenn die Gasflasche an das Gerät angeschlossen ist, dürfen Gasgrill und Gasflasche nur an einem gut belüfteten Ort im Freien aufgestellt werden.
- Falls der Gasgrill im Innenbereich gelagert wird, muss die Propangasflasche vom Grill entfernt und im Freien an einer gut belüfteten Stelle aufbewahrt werden. Propangasflaschen dürfen nicht in Gebäuden, Garagen oder anderen geschlossenen Räumen gelagert werden.
- Vor jeder Benutzung muss der Gasschlauch untersucht werden. Wenn der Schlauch stark abgerieben oder eingeschnitten ist, muss er vor Benutzung des Gasgrills mit einem vom Hersteller empfohlenen Schlauch ersetzt werden.
- Vor der ersten Inbetriebnahme alle Anschlüsse auf Gaslecks prüfen, auch wenn der Grill vollständig montiert geliefert wurde. Führen Sie diesen Test jährlich oder nach dem Austausch einer Gaskomponente aus.
- Grill stets genau nach Anleitung zünden.
- Vor Öffnen der Gaszufuhr kontrollieren, dass die Brenner-Bedienelemente auf der Position „OFF“ (Aus) stehen.
- Grillhaube während der Vorwärmzeit geschlossen halten.
- Den Grill niemals unbeaufsichtigt lassen, wenn er in Betrieb ist.
- Brenner Niemals bei geschlossener Grillhaube zünden.
- Rückseitigen Brenner nicht verwenden, wenn der Hauptbrenner in Betrieb ist.
- Den Grill nicht bewegen, solange er heiß oder in Betrieb ist.
- Gasleitung von allen Oberflächen fernhalten, die heiß werden können.
- Elektrische Kabel von Wasser oder heißen Oberflächen fernhalten.
- Korrekte Position der Glühplatten kontrollieren. Folgen Sie hierzu den Installationsanweisungen für die Glühplatten.
- Fett-Auffangbehälter und Glühplatten regelmäßig reinigen, um Fettansammlungen zu vermeiden, die zu Fettbränden führen können.
- Verwijder warmhoudrek voor verlichting achter brander. De extreme hitte schade zal toebrengen aan de opwarming rek.
- Venturirohrdüsen der Infrarotbrenner periodisch auf Spinnweben und Verstopfungen durch andere Objekte überprüfen. Die Rohrdüsen vollständig reinigen, um alle Verstopfungen zu entfernen.
- Auf heiße Keramikbrenner darf kein kaltes Wasser kommen (Regen, Sprinkler, Wasserschlauch usw.). Durch den großen Temperaturunterschied können die Keramikfliesen reißen.
- Gerät nicht mit einem Hochdruckreiniger säubern.
- Der Außen-Gasgrill und das entsprechende Sperrventil müssen von Gaszufuhrsystem getrennt werden, wenn das Gassystem aus Gasdrücke von über 0,5 psi (3,5 kPa) geprüft wird.
- Der Gasgrill für den Gebrauch im Freien und das entsprechende Sperrventil müssen vom Gaszufuhr und den Verbindungsrohren getrennt werden, wenn das Gassystem aus Gasdrücke von über 0,5 psi (3,5 kPa) geprüft wird.



DE

Entsorgung von Altgeräten aus privaten Haushalten in der EU

Dieses Symbol auf dem Produkt oder dessen Verpackung gibt an, dass das Produkt innerhalb der EU nicht zusammen mit dem Restmüll entsorgt werden darf. Die separate Sammlung und das Recyceln Ihrer alten Elektrogeräte zum Zeitpunkt ihrer Entsorgung trägt zum Schutz der Umwelt bei und gewährleistet, dass sie auf eine Art und Weise recycelt werden, die keine Gefährdung für die Gesundheit des Menschen und der Umwelt darstellt. Es obliegt daher Ihrer Verantwortung, das Gerät an einer entsprechenden Rücknahmestelle für die Entsorgung oder Wiederverwertung von Elektro- oder Elektronik-Altgeräten aller Art abzugeben oder wenden Sie sich an den Händler, von dem das Produkt erworben wurde. Gemäß den lokalen Bestimmungen gewährleisten diese Stellen, dass das Gerät auf eine Art und Weise recycelt wird, die keine Gefährdung für die Umwelt darstellt.

Gasflaschen

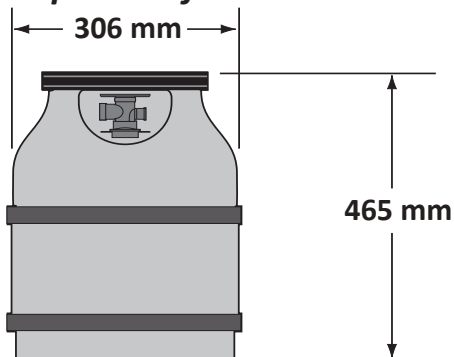
Es dürfen nur Gasflaschen benutzt werden, die die einschlägigen gesetzlichen Bestimmungen erfüllen. Für einen optimalen Betrieb sollte Propangas verwendet werden. Die Mindestflaschengröße bei Butan ist 13 kg, bei Propan 6 kg. Die Flasche muss eine für den Betrieb ausreichende Gasmenge liefern können. Im Zweifelsfall wird der Gaslieferant mit Informationen helfen.

- Das Ventil der Gasflasche ist vorsichtig zu behandeln.
- Eine Flasche, die die gesetzlichen Bestimmungen nicht erfüllt, darf nicht angeschlossen werden.

Nur an das Gerät angeschlossene Gasflaschen im Schrank oder in der Nähe des Geräts aufbewahren. Schrankkonstruktionen müssen den Vorgaben im Abschnitt „EINBAUSCHRÄNKE FÜR GASFLASCHEN“ entsprechen. Nur angeschlossene Gasflaschen dürfen in der Einfassung oder nahe am Gerät stehen. Reserveflaschen dürfen nicht in der Nähe eines betriebenen Geräts gelagert werden. Gasflaschen dürfen weder großer Hitze noch dem direkten Sonnenlicht ausgesetzt werden.

FLASCHENANSCHLUSS: Es ist sicherzustellen, dass der Gasreglerschlauch knickfrei ist. Kappe oder Stöpsel vom Flaschenventil entfernen. Regler an das Flaschenventil anschließen. *Vor der Benutzung des Grills alle Verbindungen auf Leckagen überprüfen.* Ein Leckagetest muss jährlich, nach jedem Anschließen einer Flasche und nach Auswechseln eines Gasbauteils durchgeführt werden.

Beispiel Gasflasche



Gasschlauch



WARNUNG! Der Gasgrill muss von einem lizenzierten Gasinstallateur installiert werden. Keine Schlauchverbindungen zum Anschluss des Gasgrill an die Gaszufuhr verwenden, außer um den Druckregler der Gasflasche an das Rohrsystem anzuschließen. Die erhöhte Temperatur im Schrank kann zum Schmelzen des Schlauchs führen. Den Gasgrill mit der mitgelieferten flexiblen Metallverbindung an die zulässigen steifen Rohrverbindungen, zulässigen Kupferrohre oder zulässigen Flex-Metallverbindungen anschließen. Sicherstellen, dass die Installation allen regional und überregional geltenden Installationsvorschriften entspricht. *Vor Inbetriebnahme des Gasgrills die gesamte Gasinstallation auf Gaslecks prüfen. Vollständige Anweisungen zur Montage des Grills entnehmen Sie bitte der Bedienungsanleitung.*

- Gehören Schlauch und Regler nicht zum Lieferumfang, dürfen nur solche Schläuche und Regler verwendet werden, die die einschlägigen gesetzlichen Bestimmungen erfüllen.
- Gerät nicht an eine permanente Gasversorgung anschließen.
- Der Schlauch darf nicht mit Fett oder sonstigen heißen Flüssigkeiten oder Bauteilen des Geräts in Berührung kommen.
- Schlauch regelmäßig überprüfen. Ein Schlauch, der Risse oder Schmelzstellen aufweist oder abgenutzt ist, muss vor der nächsten Benutzung des Geräts ersetzt werden.
- Es wird eine Schlauchlänge von 0,9 m empfohlen. Der Schlauch darf nicht länger als 1,5 m sein.
- Beim Anschließen ist darauf zu achten, dass der Schlauch knickfrei und nicht verdreht ist.
- Der Schlauch ist vor dem aufgedruckten Ablaufdatum auszuwechseln.

Regler

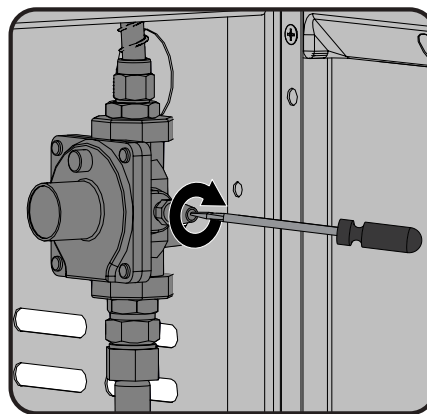
In der folgenden Tabelle sind die Anschlusswerte des Geräts aufgeführt.

Brenner	Düsengrösse		Grob)Leistung(Insgesamt)		Gasverbrauch (Insgesamt)	
	I	II	I	II	I	II
Haupt	#60	1.45mm	16.0 kW	14.0 kW	1164 g/hr	1332 L/hr
Hinten	1.25mm	#50	5.7 kW	5.0 kW	415 g/hr	476 L/hr

Zugelassene Gase / Druck - Die Werte Ihres Geräts stehen auf dem Typenschild.

Gaskategorie	¹ 3B/P(30)	¹ 3+(28-30/37)	¹ 3B/P(37)	¹ 3B/P(50)	¹ 2H	¹ 2E	¹ 2E+	¹ 2L
Düsengröße (siehe oben)	I	I	I	I	II	II	II	II
Gasdruck	Butan und Propane bei 30mbar	Butan 28-30mbar Propane 37mbar	Butan und Propane bei 37mbar	Butan und Propane bei 50mbar	G20 bei 20mbar	G20 bei 20/25 mbar	G20/G25 bei 20/25 mbar	G25 bei 25mbar
Länder	BE, BG, CY, DK, EE, FI, FR, GB, HR, HU, IS, IT, LT, LU, MT, NL, NO, RO, SE, SI, SK, TR	BE, CH, CY, CZ, ES, FR, GB, GR, IE, IT, LT, LU, LV, PT, SK, SI	PL	AT, CH, DE, SK	AT, BG, CH, CZ, DK, EE, ES, FI, GB, GR, HR, HU, IE, IS, IT, LV, LT, NO, PT, RO, SE, SI, SK, TR	DE, LU, PL	BE,FR	NL

Nehmen Sie keinerlei Änderungen am Druckregler vor. Nur Druckregler verwenden, die den in der vorstehenden Tabelle angegebenen Druck bereitstellen. Der Grill ist mit einem internen Druckregler ausgestattet. Der interne Druckregler hat einen Auslassdruck von 24,5 mbar für Propan-/Butangas und 18,5 mbar für Erdgas und erfordert keine Modifizierung oder Anpassung. Ersetzen Sie den Druckregler nur mit vom Hersteller vorgegebenen Modellen.



Diese Einheit ist mit einem internen Druckregler ausgestattet, der den Gasdruck stabilisiert und die Grilleistung verbessert. Dieser Druckregler ist nicht anpassbar. An der Seite des Druckreglers befindet sich ein Druckhahn. Dieser kann von einem entsprechend ausgebildeten Kundendiensttechniker dazu verwendet werden, die Funktion des Druckreglers zu überprüfen. Die Schraube mit dem Druckhahn muss stets fest angezogen sein, außer bei der Durchführung eines Drucktests am Druckregler (nur durch entsprechend geschulten Servicetechniker).



Anweisungen für den Gasanschluss

WARNUNG! Dieser Grill ist nur dann in einem Gehäuse aus brennbaren Materialien zu integrieren, wenn er im isolierten Gehäuse für Einbaugrills, Artnr. BI-3323-ZCL, gefasst ist UND nach örtlichen Bestimmungen bz. Gasgeräteinstallation und von einem qualifizierten Installateur installiert und gewartet wird

WAARSCHUWING! Unterschrank, dessen Rahmen und die Arbeitsfläche sind aus nicht-brennbaren Materialien her zu stellen. Die einzige Ausnahme ist, wenn der Grill im isolierten Gehäuse für Einbaugrills, Artnr. BI-3323-ZCL, installiert ist.

WARNUNG! Der Gasdruck am Grillgerät muss dem am Gerät befindlichen Leistungsschild entsprechen. Falls der Gasdruck an der Gaszufuhr größer ist, als angegeben, muss ein Druckregler installiert werden.

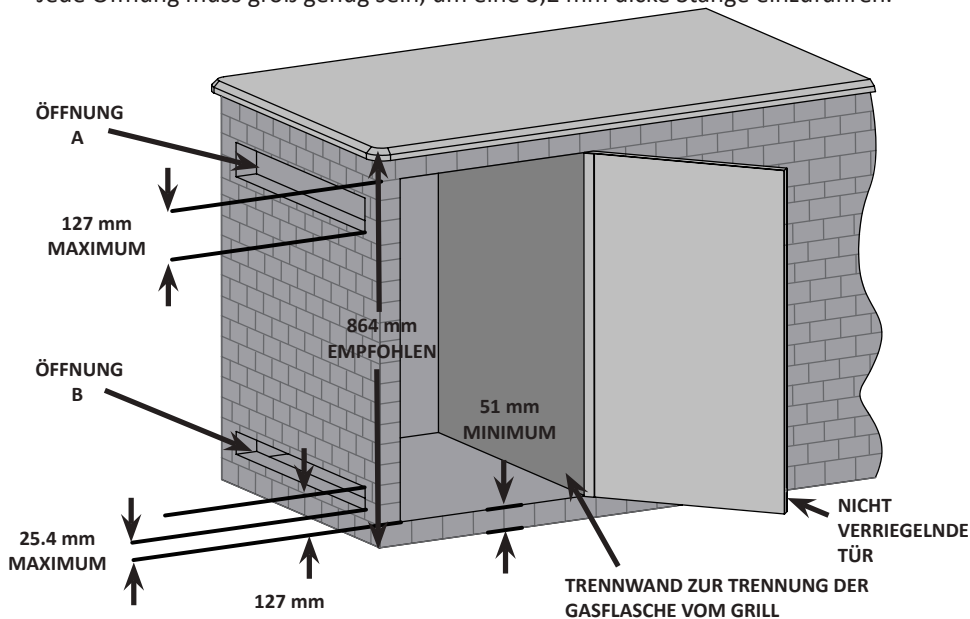
PROPANGASANSCHLUSS FÜR EINBAUGERÄT: Der Installateur ist für die Rohrverbindung bis zum Gasgrill verantwortlich und die Rohrverbindungen müssen gemäß der Installationsanweisungen und -abbildungen für die Einbauversion ausgeführt werden. Eine flexible Metallverbindung zur einfachen Installation des Geräts liegt bei. Die flexible Metallverbindung an der Überwurfmutter am Verteilerende anschließen. Das andere Ende der Metallverbindung am Gasrohr anschließen. Sicherstellen, dass das Verbindungsstück nicht durch Wand, Boden, Decke oder Trennwände verlegt wird und vor Beschädigung geschützt ist. Keine Schlauchverbindungen zum Anschluss des Geräts verwenden, außer um den Druckregler der Gasflasche an das Rohrsystem anzuschließen. Der Anschluss muss mit steifen Rohrverbindungen, Kupferrohr oder einer zulässigen Flex-Metallverbindung erfolgen, die regionalen und überregionalen Installationsvorschriften entsprechen.

Sicherstellen, dass die Installation allen regional und überregional geltenden Installationsvorschriften entspricht. Basierend auf der Länge der Rohrleitung muss die Gaszufuhrleitung ausreichend dimensioniert sein, um die auf dem Leistungsschild vorgegebene Leistungsaufnahme (kW) zu erfüllen. Bei Anschluss eines Seitenbrenners eine getrennte Leitung zur Seitenbrennereinheit abzweigen und am angegebenen Ort in die Öffnung für den Seitenbrenner einführen. Falls ein Propangaszylinder im Schrank aufbewahrt werden soll, muss der Gasflaschenschrank gemäß lokalen Vorschriften belüftet sein und es darf keine Verbindung mit der Montageöffnung oder dem Schrank für den Gasgrill bestehen. Propangasflaschen dürfen nicht unterhalb des Gasgrills gelagert werden.

EINBAUSCHRÄNKE FÜR GASFLASCHEN: Einbauschränke für Gasflaschen, die die Gasflasche vollständig einschließen, müssen die folgenden beiden Bedingungen erfüllen:

1. Mindestens ein unverbautes Lüftungsloch an der freien Schrankaußenseite, das sich innerhalb 127 mm von der Schrankoberseite befinden muss. Die Öffnung muss eine freie Fläche von über 130 cm² für Gasflaschen bis zu 9 kg und 195 cm² für Gasflaschen größer als 9 kg aufweisen.
2. Mindestens ein unverbautes Lüftungsloch an der freien Schrankaußenseite, das sich innerhalb 25,4 mm vom Bodenniveau befinden muss. Die Öffnung muss eine freie Fläche von über 65 cm² für Gasflaschen bis zu 9 kg und 100 cm² für Gasflaschen größer als 9 kg aufweisen. Die Oberkante darf sich nicht weiter als 127 mm über Bodenniveau befinden.

Jede Öffnung muss groß genug sein, um eine 3,2 mm dicke Stange einzuführen.



GASFLASCHENGRÖSSE	ÖFFNUNG A FLÄCHE	ÖFFNUNG B FLÄCHE
BIS ZU 9 KG	130 cm ²	65 cm ²
GRÖßER ALS 9 KG	195 cm ²	100 cm ²



WARNUNG!

- Das Gasflaschenventil muss für Handbedienung problemlos zugänglich sein. Eine Schranktür kann installiert werden, um problemlosen Zugang zum Gasflaschenventil zu ermöglichen, es muss jedoch sichergestellt sein, dass die Tür nicht verriegelbar und ohne Werkzeuge zu öffnen ist.
- Der Gasflaschenschrank muss die Gasflasche effektive vom Brennerabteil trennen und Schutz bieten vor Strahlung, Flammen und Fremdstoffen, beispielsweise heißen Bratensäften. Der Schrank darf sich nicht direkt unter dem Grill befinden.
- Zwischen dem Boden des Propangasflaschenschanks und Bodenniveau muss ein Mindestabstand von 51 mm eingehalten werden.
- Die Schrankkonstruktion muss sicherstellen, dass die Propangasflasche an- und abgenommen werden kann und dass die Verbindungen außerhalb des Schanks inspiziert und getestet werden können. Alle Verbindungen, die bei der Gasflascheninstallation im Schrank beeinträchtigt werden könnten, müssen an der Schrankinnenseite für Testzwecke zugänglich sein.

ERDGASANSCHLUSS FÜR EINBAUGERÄT: Der Installateur ist für die Rohrverbindung bis zum Gasgrill verantwortlich und die Rohrverbindungen müssen gemäß der Installationsanweisungen und -abbildungen für die Einbauversion ausgeführt werden. Eine flexible Metallverbindung zur einfachen Installation des Geräts liegt bei. Diese Metallverbindung an der Überwurfmutter am Verteilerende anschließen. Das andere Ende der Metallverbindung am Gasrohr anschließen. Sicherstellen, dass das Verbindungsstück nicht durch Wand, Boden, Decke oder Trennwände verlegt wird und vor Beschädigung geschützt ist. Für den Anschluss des Geräts keine Schläuche verwenden. Der Anschluss muss mit steifen Rohrverbindungen, Kupferrohr oder einer zulässigen Flex-Metallverbindung erfolgen, die regionalen und überregionalen Installationsvorschriften entsprechen. Sicherstellen, dass die Installation allen regional und überregional geltenden Installationsvorschriften entspricht. Basierend auf der Länge der Rohrleitung muss die Gaszufuhrleitung ausreichend dimensioniert sein, um die auf dem Leistungsschild vorgegebene Leistungsaufnahme (kW) zu erfüllen. Bei Anschluss eines Seitenbrenners eine getrennte Leitung zur Seitenbrennereinheit abzweigen und am angegebenen Ort in die Öffnung für den Seitenbrenner einführen.



WARNUNG! Einbaugeräte werden mit einem Fett-Auffangbehälter geliefert, der nur eine minimale Menge an Fett aufnehmen kann. Zur Vermeidung von Fettbränden muss der Fett-Auffangbehälter nach jeder Verwendung gereinigt werden.

WARNUNG! Zur Installation von Gasverbindungen muss problemloser Zugang zum Schrank gewährleistet sein.



WARNUNG! Lesen Sie diese Anleitung sorgfältig durch, bevor Sie den Grill in Betrieb nehmen. Nichtbefolgung dieser Anweisungen kann zu Bränden mit schweren Verletzungen oder Tod führen. Vor Inbetriebnahme des Grills die gesamte Installation auf Gaslecks prüfen.

Elektrische Schutzmaßnahmen

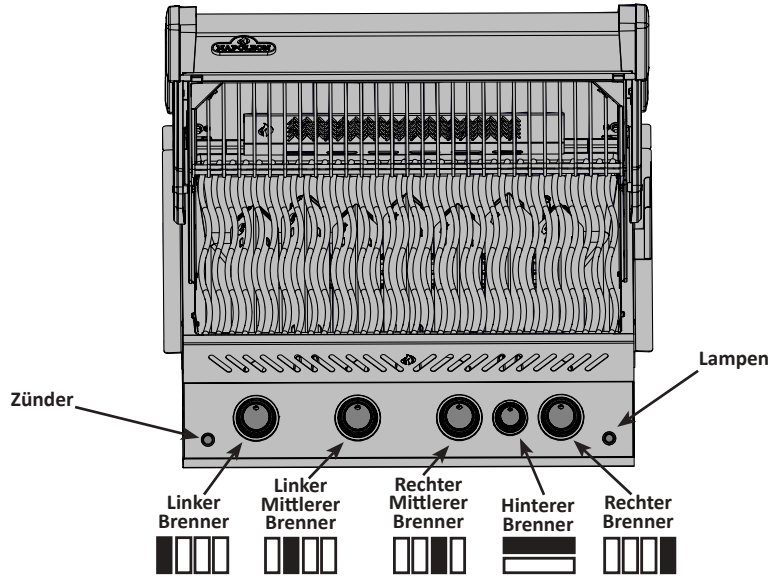


WARNUNG! Nichtbefolgung dieser Anweisungen kann zu Sachschäden, Körperverletzung oder Tod führen.

- 230 - 240V / AC - 50HZ – 0.4A.
- Um sich vor Stromschlag zu schützen, tauchen Sie das Kabel oder die Stecker nicht in Wasser oder andere Flüssigkeiten.
- Ziehen Sie den Netzstecker heraus, wenn das Gerät nicht benutzt wird und bevor Sie den Grill reinigen. Lassen das Gerät erst abkühlen, bevor Sie Teile aufsetzen oder abnehmen.
- Verwenden Sie einen Gasgrill für den Außengebrauch nicht mit einem beschädigten Kabel oder Stecker oder nachdem das Gerät nicht richtig funktionierte oder auf irgendeine Art und Weise beschädigt wurde. Setzen Sie sich zu Reparaturzwecken mit dem Hersteller in Verbindung.
- Falls das Netzkabel beschädigt ist, darf es nur vom Hersteller oder dessen Kundendienst oder von ähnlich qualifizierten Personen ausgetauscht werden, um Gefährdungen zu vermeiden.
- Lassen Sie das Stromkabel nicht vom Rand eines Tisches herunter hängen oder mit heißen Oberflächen in Berührung kommen.
- Benutzen Sie einen Gasgrill für den Außengebrauch ausschließlich für die in der Bedienungsanleitung beschriebenen Zwecke.
- Zum Anschließen an die Stromversorgung stecken Sie den Stecker zunächst in das Grillgerät für den Außengebrauch und schließen Sie dann das Gerät an die Steckdose an.
- Schließen Sie dieses Gasgrillgerät für den Außengebrauch nur an einen Stromkreis mit GFI-Schutz (Ground Fault Interrupt = Unterbrechung bei Erdschluß) an.
- Entfernen Sie niemals den Erdungsstecker und verwenden Sie das Gerät nicht mit einem 2-Stift-Adapter.
- Verwenden Sie ausschließlich Verlängerungskabel mit einem 3-Stift-Erdungsstecker, die für die entsprechende Geräteleistung und für die Verwendung im Freien geeignet und entsprechend gekennzeichnet ist.

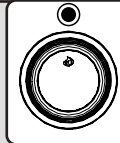
Zündanleitung

DE

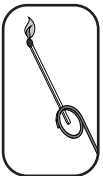


WARNUNG! Haube öffnen.

Ausschaltstellung



WARNUNG! Stellen Sie sicher, dass alle Brenner-Bedienelemente auf 'OFF' (Aus) gestellt sind, und öffnen Sie das Gasventil an der Gasquelle.



Anzünden des Hauptbrenners	Anzünden des rückseitigen Brenners (Rotisseriebrenner)	Anzünden der Seitenbrenner (Falls vorhanden)
1. Haube öffnen.	1. Haube öffnen.	1. Haube des Seitenbrenners öffnen.
2. Beliebiges Hauptbrenner-Bedienelement drücken und langsam auf Stufe „HI“ (Hohe Flamme) drehen. Hierdurch wird die Pilotflamme gezündet, welche wiederum den ausgewählten Brenner entzündet. Nach Zünden der Pilotflamme das Bedienelement weiterhin gedrückt halten, bis der Brenner entzündet ist. Lassen Sie das Bedienelement los, wenn das Gas brennt.	2. Warmhalterost abnehmen.	2. Seitenbrenner-Bedienelement drücken und langsam auf Stufe „HI“ (Hohe Flamme) drehen.
3. Wenn der Pilot nicht zündet, das Bedienelement SOFORT wieder auf „OFF“ (Aus) stellen und Schritt 2 mehrmals wiederholen.	3. Rückseitigen -Bedienelement drücken und langsam auf Stufe „HI“ (Hohe Flamme) drehen.	3. Zündknopf drücken und gedrückt halten, bis Brenner zündet; oder mit Streichholz anzünden
4. Falls Pilot und Brenner nicht innerhalb von 5 SEKUNDEN zünden, das Bedienelement auf „OFF“ stellen und 5 Minuten warten, damit sich unverbranntes Gas verflüchtigen kann. Danach die Schritte 2 und 3 wiederholen oder den Brenner mit einem Streichholz entzünden.	4. Zündknopf drücken und gedrückt halten, bis Brenner zündet; oder mit Streichholz anzünden	4. Falls der Brenner nicht innerhalb von 5 SEKUNDEN zündet, das Bedienelement auf „OFF“ stellen und 5 Minuten warten, damit sich unverbranntes Gas verflüchtigen kann. Danach die Schritte 2 und 3 wiederholen oder den Brenner mit einem Streichholz entzünden.
5. Falls der Grill mit einem Streichholz angezündet wird, klemmen Sie das Streichholz in den mitgelieferten Streichholzhalter ein. Das brennende Streichholz nach unten halten, durch den Grill und die Glühplatte führen und dabei das entsprechende Brennerventil auf hohe Flamme drehen.	5. Falls der Brenner nicht innerhalb von 5 SEKUNDEN zündet, das Bedienelement auf „OFF“ stellen und 5 Minuten warten, damit sich unverbranntes Gas verflüchtigen kann. Danach die Schritte 3 und 4 wiederholen oder den Brenner mit einem Streichholz entzünden.	

HINWEIS! Der hintere Brenner darf nicht zusammen mit dem Hauptbrenner benutzt werden.

Grillanleitung

Beim allerersten Erhitzen gibt der Gasgrill einen leichten Geruch ab. Der Geruch wird durch das „Einbrennen“ der Innenlacke und Verdunsten der Schmiermittel aus der Fertigung verursacht, ist ganz normal und tritt später nicht mehr auf. Vor der ersten Benutzung sollten Sie darum die Hauptbrenner etwa eine halbe Stunde mit größter Hitze brennen lassen. Vor dem Grillen von magerem Fleisch wie Hähnchenbrust oder mageres Schweinefleisch ist es am besten, die Roste vor dem Vorwärmen zu ölen, damit das Fleisch nicht anklebt. Beim Grillen von sehr fettem Fleisch kann es zum Aufflammen kommen. Um Aufflammen zu verhindern, können Sie Fett abschneiden oder mit niedrigerer Temperatur grillen. Wenn es zum Aufflammen kommt, legen Sie das Fleisch von der Flamme weg zur Seite und stellen die Temperatur herunter. Lassen Sie die Haube offen. Eine detaillierte Anleitung finden Sie in Napoleons Grill-Kochbuch.

Stellen Sie den Grill nicht an einem windigen Standort auf. Starker Wind beeinträchtigt die Leistung des Gasgrills.

Bei extremem Wind gegen die Rückseite des Grills kann Hitze über das Bedienungspanel entweichen. Dies kann die Bedienelemente stark erhitzen (Vorsicht bei Berührung) und zu deren Verformung führen.

Napoleon liefert mit Ihrem Gerät auch einen Windschutz, welcher hilft, einen möglichen Hitzestau vor zu beugen. (S. Ihre Quick Assembly Guide für Montagetipps).



HINWEIS! Napoleon übernimmt keine Haftung für zu starkes Befeuern oder Hitzeausstöße aufgrund von Umwelteinflüssen wie starkem Wind oder unsachgemäßer Belüftung.

Grillen Mit Den Hauptbrennern: Vor dem Anbraten von Grillgut wird 10 Minuten Vorwärmen empfohlen. Dafür werden alle Hauptbrenner auf die höchste Stufe gestellt und die Haube geschlossen. Kurz zu grillende Nahrungsmittel wie Fisch und Gemüse können bei offener Haube gegrillt werden. Beim Grillen bei geschlossener Haube ist die Temperatur gleichmäßiger und höher, sodass die Grillzeit kürzer ist und das Fleisch gleichmäßiger gegrillt wird. Benötigt ein Grillgut länger als 30 Minuten, wie z. B. ein Braten, so kann es indirekt gekocht werden (Braten neben den gezündeten Brenner stellen). Vor dem Grillen von magerem Fleisch wie Hähnchenbrust oder mageres Schweinefleisch ist es am besten, die Roste vor dem Vorwärmen zu ölen, damit das Fleisch nicht anklebt. Beim Grillen von sehr fettem Fleisch kann es zum Aufflammen kommen. Um Aufflammen zu verhindern, können Sie Fett abschneiden oder mit niedrigerer Temperatur grillen. Wenn es zum Aufflammen kommt, legen Sie das Fleisch von der Flamme weg zur Seite und stellen die Temperatur herunter. Lassen Sie die Haube offen. Eine detaillierte Anleitung finden Sie in Napoleons Grill-Kochbuch.

Direktes Garen: Grillgut direkt über der Wärmequelle auf den Grill legen. Diese Methode wird üblicherweise zum Braten von Speisen verwendet, die keine langen Kochzeiten erfordern - Hamburger, Steaks, Geflügelstücke, Gemüse usw. Das Grillgut wird zunächst scharf angebraten, um Säfte und Aromen im Grillgut „einzusiegeln“. Anschließend wird die Temperatur verringert, um das Gericht punktgenau fertig zu garen.

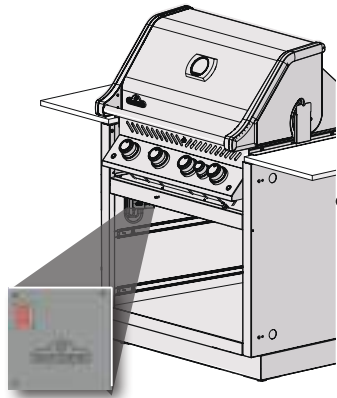
Indirektes Garen: Hierbei kann nur einer oder auch mehrere Brenner verwendet werden. Grillgut über einem nicht gezündeten Brenner auf den Grill legen. Die Wärme zirkuliert um das Grillgut und sorgt so für langsames und gleichmäßiges Garen. Diese Kochmethode ist vergleichbar mit dem Garen im Backofen und wird üblicherweise für größere Fleischstücke wie Braten, ganze Hähnchen oder Pute verwendet. Sie eignet sich aber auch für die Zubereitung von Grillgut, das leicht zum Aufflammen führen kann. Aufgrund der niedrigeren Temperaturen und längeren Kochzeiten ist dies die zuverlässigste Garmethode zum Grillen zarter und saftiger Fleischstücke.

Verwendung Des Rückseitigen Brenners: (Falls vorhanden) Warmhalterost vor dem Betrieb entfernen, die extreme Hitze schadet dem Warmhalterost. Grillroste sollten ebenfalls entfernt werden, falls sie die Verwendung des rehspeißes behindern. Der rückseitige Brenner ist für den Einsatz mit dem Drehspieß-Set konzipiert, das über Ihren Napoleon-Händler bezogen werden kann. Siehe Anweisungen für die Montage des Drehspieß-Sets. Zur Verwendung des Gegengewichts den Drehspießmotor vom Gasgrill entfernen. Den Spieß mit dem Grillgut in die beiden Einhängvorrichtungen an der Innenseite des Grills einlegen. Das Fleischstück wird naturgemäß mit der schwereren Seite nach unten hängen. Arm und Gewicht des Gegengewichts anziehen, bis der Arm nach oben zeigt. Das Gegengewicht nach innen oder außen verschieben, bis das Gewicht auf dem Spieß gleichmäßig verteilt ist und dann festdrehen. Den Motor wieder aufsetzen und mit dem Grillen beginnen. Einen Auffangbehälter unter dem Grillgut platzieren. Der aufgefangene Bratensaft kann zum Bepinseln des Fleisches oder zur Herstellung einer köstlichen Soße verwendet werden. Falls nötig, zusätzliche Flüssigkeit zum Übergießen oder Bepinseln zufügen. Rückseitigen Brenner zunächst auf hoher Flamme betreiben, bis das Fleisch angebräunt ist und dann die Flamme reduzieren, um das Fleisch fertig zu garen. Auf diese Art wird das Grillgut versiegelt und das Fleisch bleibt zart und saftig. Die Grillhaube stets geschlossen halten, um ein optimales Kochergebnis zu erzielen. Braten und Geflügel erhalten eine knusprigbraune Kruste und das Fleisch bleibt zart und saftig. Beispielsweise benötigt ein Brathuhn mit einem Gewicht von 1,5 kg mit dem Drehspieß ca. 1½ Stunden (bei mittlerer bis hoher Flamme). Weitere Anweisungen finden Sie im Napoleon-Grillkochbuch mit exklusiven Rezepten für alle Gelegenheiten.

ACHTUNG! Barbecuesoße und Salz kann korrosiv wirken und schnell zur Korrosion des Grills und einzelner Bauteile führen, wenn keine regelmäßige Reinigung durchgeführt wird.

Beleuchtungsanleitung

Bewegungssensor-, Drehregler-, Grillkammer- und Schrankbeleuchtung.



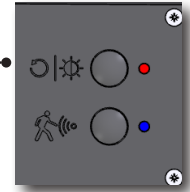
Stromschalter, am Bedienfeld, EINSchalten. Bedienfeld befindet sich links im Unterschrank, unter dem Grillkorpus.

(S. Bedienfeldmontageabteilung für weitere Tipps).

Eine rote und eine blaue LED brennen. Beleuchtungseinstellungen in Standardmodus.

Helligkeit: Drücke den -Knopf um die Helligkeit ab hoch (100%), mittel (65%) und niedrig (35%) zu wechseln.

Nur möglich wenn Drehreglerbeleuchtung im weißen oder blauen Modus ist.



Bewegungssensor:

- Drehregler- und Logoleuchten bleiben, so lange Bewegung innerhalb 1 m des Grills detektiert wird, brennen. Nach 15 Minuten ohne Bewegung schalten sie ab.
- So lange der Sensor eingeschaltet ist (blaue LED brennt), können Sie die Grillkammerbeleuchtung mit dem -Schalter bedienen.
- -Taste drücken, um den Sensor ab zu schalten.
- Jetzt ist die gesamte Beleuchtung mit dem -Schalters zu bedienen.
- Die Grillkammerbeleuchtung schalten nach 2 Stunden ab.
- Wenn der Sensor deaktiviert ist, schalten Drehregler- und Logoleuchten nach 2 Stunden ab. shut off after two hours.



Beleuchtungsmodi

Standardmodus

- Knopfbeleuchtung blau
- Helligkeit hoch
- Bewegungssensor ein

Knopflichtmodi

- Blau Helligkeit nur in diesen Modi justierbar
- Weiß
- Grün- Wechselmodus

Knopffarbe wählen mittels eindrücken der -Taste, hochkommen lassen um Farbe zu fixieren.

Zurück nach Standardeinstellungen: Knopf 2 Sekunden drücken.

Farbe wählen

- Wenn Knöpfe sich im Wechselmodus befinden, werden diese langsam zwischen alle Farben, ab Grün, wechseln.
- **Schnell** -Knopf 2 mal drücken um die Farbe zu fixieren.
- Nochmals 2 mal drücken um Wechselmodus zu starten.

Logolicht EIN/AUS

- Logo- und Knopfverlichtung sind parallel geschaltet, indem u. het logo uit will zetten maar de knopverlichting aan wil houden, is dit mogelijk.
- **Druk tweemaal op de knop** um das Logolicht ab zu schalten. **Erneut zweimal drücken** um es wieder ein zu schalten.
- Wenn Sie die Elektronik (mittels Hauptschalter) neu starten, sind die Standardeinstellungen erneut aktiviert.





DE

Reinigungsanleitung

WARNUNG! Beim Reinigungsanleitung sollten Arbeitshandschuhe und eine Schutzbrille getragen werden.

WARNUNG! Zum Reinigen müssen die Brenner ausgeschaltet sein. Heiße Flächen nicht ungeschützt berühren. Grill an einen Ort stellen, wo das Reinigungsmittel keinen Schaden anrichten kann (nicht auf die Terrasse oder den Rasen). Kein Teil dieses Gasgrills darf mit Ofenreiniger gesäubert werden. Grillroste oder andere Teile des Gasgrills nicht in einem selbstreinigenden Ofen säubern. Gasgrill regelmäßig reinigen, da Barbecue-Sauce und Salz das Metall angreifen.

Hinweis: In chlorid- und sulfidhaltigen Umgebungen kann auch rostfreier Stahl oxidieren oder Flecken aufweisen. Dazu gehören insbesondere Küstenregionen und andere extreme Bedingungen, z. B. die nähere Umgebung von Pools und Whirlpools, die von hoher Wärme und Luftfeuchtigkeit gekennzeichnet ist. Diese Flecken werden manchmal mit Rost verwechselt, aber sie können einfach entfernt und vermieden werden. Reiben Sie alle rostfreien Stahlflächen alle 3 bis 4 Wochen mit Leitungswasser und einem Reinigungsmittel für rostfreien Stahl ab, um die Entstehung von Flecken zu verhindern.

Roste Und Warmhaltefläche : lassen sich am besten beim Vorwärmen des Grills mit einer weichen Messingdrahtbürste säubern. Für schwer zu entfernende Flecke Stahlwolle verwenden. Rostfreistahlroste erhalten bei normalem Betrieb des Grills wegen der hohen Temperatur eine permanente Verfärbung.

Bedienleiste: Die Bedienleistenbeschriftung wird direkt auf die Edelstahloberfläche gedruckt und bei sachgerechter Pflege bleibt der Aufdruck dunkel und lesbar. Zur Reinigung der Bedienleiste warme Seifenlauge. Keine scheuernden Reinigungsmittel zur Reinigung von Edelstahlfleichen verwenden. Dies kann vor allem auf der Bedienleiste zum Abrieb der aufgedruckten Beschriftung führen.

Das Innere Des Gasgrills: Grillroste entfernen. Gusseiserne Seiten und die Innenseite der Haube mit einer weichen Messingdrahtbürste von losem Schmutz befreien. Anbratplatten mit einem Spachtel oder Schaber abkratzen, und die Asche mit einer Drahtbürste beseitigen. Anbratplatten abnehmen, und die Brenner mit einer Messingdrahtbürste reinigen. Den Schmutz aus dem Inneren des Gasgrills in die Tropfwanne fegen. Anbratplatten wieder einsetzen und auf richtige Positionierung achten (siehe Zusammenbauanleitung).



WARNUNG! Einbaugeräte werden mit einem Fett-Auffangbehälter geliefert, der nur eine minimale Menge an Fett aufnehmen kann. Zur Vermeidung von Fettbränden muss der Fett-Auffangbehälter nach jeder Verwendung gereinigt werden.

Fett-Auffangbehälter: Fettansammlungen können zu Bränden führen. Fett-Auffangbehälter nach jedem Gebrauch reinigen, um übermäßige Fettansammlung zu vermeiden. Fett und überschüssige Bratflüssigkeit tropfen zuerst in den Fett-Auffangbehälter unterhalb des Gasgrills. Zur einfacheren Reinigung den Fett-Auffangbehälter aus dem Grill herausziehen. Den Fett-Auffangbehälter nicht mit Alufolie, Sand oder anderen Materialien auslegen, da dies den erwünschten Fettabfluss behindern kann. Fett-Auffangbehälter mit einem Spachtel- oder Schabemesser auskratzen.

Reinigen der Aussenseite des Gasgrills: Lackierte, Porzellan- oder Rostfreistahlteile nicht mit Scheuermitteln säubern. Die Porzellanemalle ist besonders vorsichtig zu behandeln. Die Emaillebeschichtung ist wie Glas und platzt beim Anschlagen leicht ab. Außenflächen am besten in handwarmem Zustand mit warmem Seifenwasser reinigen. Rostfreistahl mit einem entsprechenden Reinigungsmittel oder einem nicht scheuernden Reinigungsmittel säubern. Stets in Strukturrichtung wischen. Keine Stahlwolle verwenden, da sie Kratzspuren hinterlässt. Rostfreistahl verfärbt sich unter Hitze goldfarben oder braun. Diese Verfärbung ist normal und beeinträchtigt die Leistung des Grills nicht.

Wartungs Anleitung

Der Gasgrill sollte jährlich von einem zugelassenen Wartungsdienst überprüft und gewartet werden.

Brennbare Materialien, Benzin und andere brennbare Dämpfe und Flüssigkeiten müssen entfernt vom Gasgrill gelagert werden. Luftwege zur Belüftung und zum Brenner nicht blockieren. Lüftungslöcher des Gasflaschenschanks (an den Grillwagenseiten und der Vorder- und Rückseite des unteren Regalbodens) stets frei von Schmutz und Ablagerungen halten.



WARNUNG! Beim Reinigungsanleitung sollten Arbeitshandschuhe und eine Schutzbrille getragen werden.

WARNUNG! Gaszufuhr vor den Wartungsarbeiten abstellen und Gerät von der Gaszufuhr trennen. Grill vor dem Warten abkühlen lassen, damit es nicht zu Verbrennungen kommt. Jährlich und nach Auswechseln eines Gasbauteils eine Leckageprüfung durchführen.

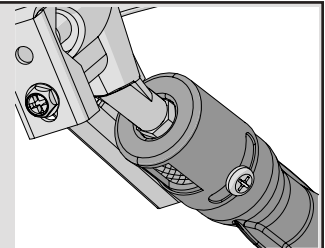
Brenner: sind aus dickwandigem rostfreistahl 304 hergestellt. Wegen der extremen Hitze und der Umwelteinflüsse treten trotzdem Korrosionen auf. Korrosion der Oberflächen mit einer Messingdrahtbürste entfernen. Verstopfte Auslässe mit einer geöffneten Heftklammer freimachen. Auslässe dabei nicht vergrößern.

VORSICHT! Passen Sie Von Den Spinnen Auf

Spinnen und Insekten werden von Propan- und Erdgasgeruch angezogen. Damit sie im Brenner keine Nester bauen, ist der Lufteinlass mit einem Insektengitter versperrt, womit das Problem jedoch nicht 100%ig gelöst ist. Ein Spinnennetz oder Nest verbrennt mit einer weichgelben oder orangefarbenen Flamme, oder es kommt zu einem Feuer (Flammenrückschlag) an der Luftzufuhr unter dem Bedienbrett. Damit das Innere eines Brenners gereinigt werden kann, muss er aus dem Gasgrill ausgebaut werden. Schraube in der Mitte des Brenners lösen. Brenner am hinteren Teil nach oben und herausheben. Innere des Brenners mit einer flexiblen Spezialbürste zum Reinigen von Venturirohren säubern. Den gelösten Schmutz durch den Gaseinlass aus dem Brenner schütteln. Das Insektengitter muss sauber, dicht und frei von Fusseln und sonstigem Schmutz sein. Auch die Ventildüsen müssen sauber sein. Es ist darauf zu achten, dass die Düsen beim Reinigen nicht vergrößert werden. Brenner wieder einbauen. Beim Einbau muss die Düse in den Brenner geführt werden. Brennerabdeckung aufsetzen und Befestigungsschrauben festschrauben.



WARNUNG! Bei der erneuten Installation des gereinigten Brenners unbedingt sicherstellen, dass das Ventil/die Öffnung in das Brennerrohr führt, bevor der Gasgrill angezündet wird. Wenn das Ventil sich nicht innerhalb des Brennerrohrs befindet, kann es zu Brand oder Explosion kommen.



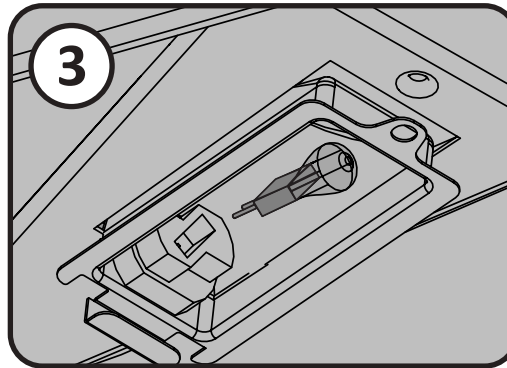
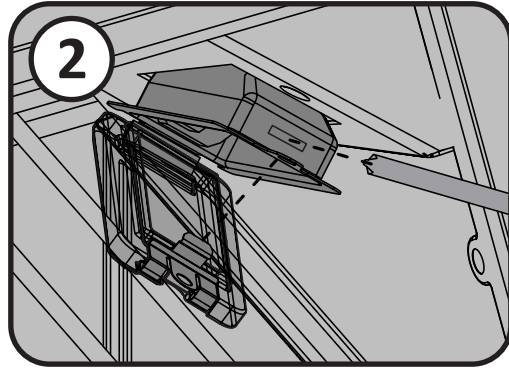
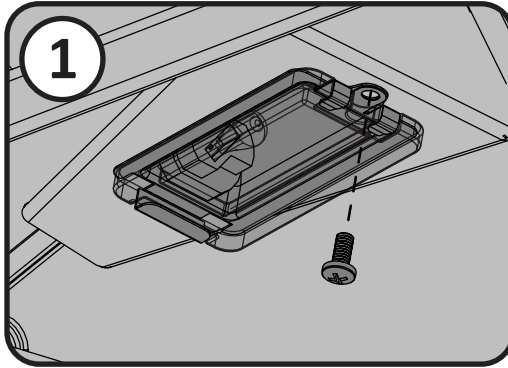
VORSICHT! Regulator Schlauch (wenn zutreffend): Scheck auf Abrieb, Schmelzstellen, Einschnitte und Risse untersuchen. Wenn einer dieser Defekte vorliegt, darf der Gasgrill nicht benutzt werden. Schlauch von Ihrem Napoleon-Händler oder einem Fachbetrieb auswechseln lassen.

Alugussteile: regelmäßig mit warmem Seifenwasser säubern. Normalerweise rostet Aluminium nicht. Durch die hohen Temperaturen und die Umwelteinflüsse kann es jedoch zu einem Oxidieren der Oberfläche kommen. Dies äußert sich als weiße Flecke auf dem Guss. Gussteile säubern und mit feinem Sandpapier abschmirgeln. Schmirgelstaub abwischen, und Gussteile mit temperaturbeständiger Grillfarbe lackieren. Benachbarte Teile abdecken, damit sie nicht mit Farbe besprüht werden. Gemäß Anweisung auf der Farbdose trocknen lassen.



VORSICHT! Verwenden Sie beim Wechseln der Halogenlampe in Ihrem Grill stets Schutzhandschuhe.

Lichter: Um die Halogenlampe in Ihrem Grill zu ersetzen, müssen Sie zuerst die Glasabdeckung aus der Fassung entfernen. Um das zu tun, entfernen Sie die Philips Schraube, die die Fassung fixiert. Schnipsen Sie die Glasabdeckung inklusive Metallteil aus dem Gehäuse und **verhindern Sie eine Berührung der Halogenleuchte mit der bloßen Hand. Das Fett der Haut kann die Lebensdauer der Halogenleuchte verringern.** Ziehen Sie mit Sicherheitshandschuhen die alte Leuchte aus dem Sockel und ersetzen Sie sie durch eine neue Halogenleuchte. Setzen Sie die Abdeckung durch Einrasten wieder ins Gehäuse ein und bringen Sie die Laschen an der Vorderseite wieder in Position.



Fehlerbehebung

Problem	Mögliche Ursachen	Lösung
Geringe Hitze / kleine Flamme auf Stellung „High“.	Bei Propangas – die Anweisungen für das Anzünden wurden nicht befolgt. Bei Erdgas – Leitung für die Gaszufuhr zu klein. Bei beiden Gasarten – ungenügendes Vorheizen.	Die Anweisungen für das Anzünden genau befolgen. Alle Gasgrillventile müssen sich in der Stellung „OFF“ (Aus) befinden, wenn das Ventil für die Gaszufuhr geöffnet wird. Die Gaszufuhr langsam öffnen, um Druckausgleich zu ermöglichen. Siehe Anweisungen für das Anzünden. Rohrgröße muss den Installationsvorschriften entsprechen. Beide Hauptbrenner einschalten und Grill auf hoher Stufe 10 bis 15 Minuten vorheizen.
Übermäßiges Aufflammen/ ungleichmäßige Hitze.	Flammenschutzsätze nicht ordnungsgemäß installiert. Ungenügendes Vorheizen. Übermäßige Ansammlung von Fett und Asche auf den Flammenschutzsätzen und im Fett-Auffangbehälter.	Siehe Montageanweisungen. Beide Hauptbrenner einschalten und Grill auf hoher Stufe 10 bis 15 Minuten vorheizen. Flammenschutzsätze und Auffangbehälter regelmäßig reinigen. Auffangbehälter nicht mit Alufolie auslegen. Siehe Anweisungen für das Reinigen des Grills.
Brenner brennt mit gelber Flamme mit wahrnehmbarem Gasgeruch.	Möglicherweise ist der Brenner durch ein Spinnennetz und etwas anderes verschmutzt.	Brenner entfernen und gründlich reinigen. Siehe Anweisungen zu Wartung und Pflege.
Heckbrenner und Seitenbrenner zünden nicht mit dem Zünder, aber mit einem Streichholz.	Leere Batterie / oder nicht ordnungsgemäß installiert. Elektrodendraht oder Schalter-Klemmdrähte locker.	Durch eine leistungsstarke Batterie ersetzen. Überprüfen, dass Elektrodendraht sich fest in der Anschlussklemme an der Rückseite des Zünders befindet. Überprüfen Sie, ob die Anschlussdrähte vom Modul zum Zündschalter (soweit vorhanden) fest auf ihre jeweiligen Anschlussklemmen gedrückt werden.
Brenner lässt sich nicht mit dem Zünder zünden, aber mit einem Streichholz.	Jetfire-Auslass ist verschmutzt oder verstopft.	Reinigen Sie den Jetfire-Auslass mit einer weichen Bürste.
„Summender“ Druckregler.	Normales Verhalten an heißen Tagen.	Dies ist kein Defekt. Das Geräusch wird durch interne Vibrationen im Druckregler hervorgerufen und beeinträchtigt weder die Leistung noch die Sicherheit des Gasgrills. „Summende“ Druckregler werden nicht ersetzt.
Brenner entzünden sich nicht gegenseitig.	Verschmutzte oder korrodierte Halter.	Reinigen oder bei Bedarf ersetzen.

DE

Problem	Mögliche Ursachen	Lösung
Haubeninnenseite sieht aus, als ob „Farbe“ abblättert.	Fettansammlung auf den Innenseiten.	Dies ist kein Defekt. Die Hauben haben ein Porzellan-Finish, das nicht abblättern kann. Das Abblättern wird durch hart gewordenes Fett hervorgerufen, das zu farbähnlichen Splintern trocknet, die abblättern können. Dies kann durch regelmäßiges Reinigen verhindert werden. Siehe Anweisungen für das Reinigen.
Brennerleistung auf Stufe „High“ ist zu niedrig. (Rumpelnde Geräusche und flatternde blaue Flamme an der Brenneroberfläche.)	Zu wenig Gas. Zufuhrschlauch ist eingeklemmt. Schmutzige oder verstopfte Öffnung. Spinnweben oder anderes Material in der Venturidüse.	Kontrollieren Sie den Gasstand in der Propangasflasche. Zufuhrschlauch falls nötig neu positionieren. Brennerauslass reinigen. Venturidüse reinigen.
Der Infrarotbrenner (falls vorhanden) „blitzt auf“ (während des Betriebs macht der Brenner ein lautes „Wusch“-Geräusch, gefolgt von einem kontinuierlichen, schweißbrennerähnlichen Geräusch und hört dann auf zu glühen.)	Keramische Fliesen mit Bratenfett und Ablagerungen überfrachtet. Anschlüsse sind verstopft. Brenner überhitzt aufgrund unzureichender Belüftung (die Grillfläche ist weitgehend mit Pfannen oder Töpfen abgedeckt). Risse oder Sprünge in der keramischen Oberfläche. Dichtung der keramischen Oberfläche ist undicht, oder fehlerhafte Schweißnaht im Brennergehäuse.	Brenner abstellen und für mindestens zwei Minuten abkühlen lassen. Brenner erneut zünden und für mindestens fünf Minuten auf hoher Flamme betreiben, oder bis die keramischen Oberflächen gleichmäßig glühen. Sicherstellen, dass nicht mehr als 75 % der Grillfläche mit Objekten oder Zubehör zugedeckt ist. Brenner abstellen und für mindestens zwei Minuten abkühlen lassen, dann erneut anzünden. Brenner abkühlen lassen und sorgfältig auf Risse untersuchen. Falls Sie Risse feststellen sollten, wenden Sie sich an einen autorisierten Napoleon-Händler, um eine Ersatz-Brennereinbaugruppe zu bestellen. Wenden Sie sich an einen autorisierten Napoleon-Händler, um Informationen zur Bestellung einer Ersatz-Brennereinbaugruppe zu erhalten.
Zündflamme lässt sich nicht anzünden. (falls vorhanden)	Zu wenig Gas. Verstopfung in der Pilotdüse. Elektrodendraht locker oder nicht vorhanden. Schmutzige Pilotelektrode. Zündflamme ist bereits gezündet.	Nachdem Sie den Zündknopf auf „High“ gestellt haben, warten Sie ca. 20-30 Sekunden bei gedrücktem Zünder, damit Luft aus der Gasversorgungsleitung entweichen kann. Propangasflasche füllen. Während der Ersteinrichtung oder nach einer Neubefüllung des Gasbehälters, empfiehlt es sich, einen der Rohrbrenner zu zünden, bevor der Zündbrenner entzündet wird. Dadurch kann das Gas die Ventile auf der Verteiler schneller erreichen. Pilotdüse reinigen. Anschlussdrähte erneuern. Pilotelektrode reinigen. Die Zündflamme, vor allem bei erdgasbetriebenen Einheiten, ist sehr schwierig zu erkennen. Halten Sie Ihre Hand 2,5 cm über der Grill-Oberfläche oberhalb des Zündrenners, um die Wärme zu fühlen.

Problem	Mögliche Ursachen	Lösung
Beleuchtung und Heck- und Seitenbrennerzündung funktionieren nicht	Stromausfall Grill bekommt keinen Strom	Überprüfen Sie, ob es keinen Stromausfall gibt Bitte prüfen Sie, ob der Stecker angeschlossen ist Prüfen Sie, ob das rote Indikatorlicht brennt Prüfen Sie, ob die Sicherung intakt ist, oder nicht
Seiten-/ Heckbrennerzündung und Grillkammer-/ Unterschränkbeleuchtung funktionieren, die Grifflichter schalten jedoch nicht ein, wenn der Stromschalter EINGeschaltet ist	Der Bewegungssensor funktioniert nicht Das Bedienfeldkabel funktioniert nicht	Prüfe, ob das blaue Indikatorlicht eingeschaltet ist Sensor mittels drücken des Sensorknopfes einschalten Falls blaues Indikatorlicht brennt, ersetzen Sie den Sensor Ersetzen Sie das Bedienfeldkabel
Knopf- und Schalterbeleuchtung funktionieren, Seiten- und Heckbrennerzündung funktioniert jedoch nicht	Zündungsschalter funktioniert nicht Zündungsmodul funktioniert nicht	Falls der Zündungsschalter aufleuchtet wenn Sie den Lichtschalter drücken: Ersetzen Sie den Zündungsschalter Falls Zündungsschalter nicht brennt wenn Sie diesen drücken: Prüfen Sie die Kabelverbindung zum Schalter unter dem Bedienfeld Falls der Schalter aufleuchtet und ein Klickgeräusch zu hören ist: Zündungsmodul ersetzen.
Beleuchtung, Heck- und Seitenbrennerzündung klicken, jedoch zünden Seiten- und/oder Heckbrenner nicht	Abstand zwischen Elektroden spitzen ist nicht richtig	Seitenbrenner: Justieren Sie den Abstand zwischen den Seitenbrennerlektroden spitzen Heckbrenner: Justieren Sie den Abstand zwischen dem Heckbrenner und dessen Elektrode
Knöpfe und Schalter blinken 8 x im 0,5 Sekunden-Intervall, schalten danach ab.	Die Batterien sind fast leer.	Batterien ersetzen.

**RECHNUNG/KASSENBN ALS KAUFBELEG FÜR GARANTIEANFRAGEN
AUFBEWAHREN**

ERSATZTEILBESTELLFORMULAR

GARANTIEINFORMATIONEN

MODELL: _____

KAUFDATUM: _____

SERIENNUMMER: _____

(Speichern Sie diese Informationen hier als künftige Referenz)

Für Ersatzteile und Garantieforderungen, kontaktieren Sie Ihren Napoleonhändler, bei dem das Produkt gekauft wurde.

Vor Sie Ihren Händler kontaktieren, lesen Sie bitte die Napoleon Grills Website, um mehr über Reinigung, Wartung, Troubleshooting und Ersatzteilmontage zu erfahren:

<https://www.napoleon.com/de/de/willkommen>

Um eine Reklamation einzureichen, sind folgende Unterlagen erforderlich:

1. Typenbezeichnung und Seriennummer des Geräts.
2. Artikelnummer und -Bezeichnung.
3. Bündige Problembeschreibung („defekt“ reicht nicht aus).
4. Kaufbeleg (Rechnungskopie, Kopie des Kassensbons).

Napoleon behält sich das Recht vor, als Voraussetzung für Ersatzteile, den Rückversand reklamierter Teile zu beantragen.

Bitte beachten Sie, vor Sie Ihren Händler kontaktieren, dass folgende Items keine Garantiegründe darstellen:

- Versand-, Zoll- oder sonstige Gebühren.
- Montagearbeit und -Kosten.
- Kommunikationskosten, um eine (Fern-)Diagnose zu stellen.
- Edelstahlverfärbungen.
- Schäden verursacht durch mangelnde Reinigung und Wartung, oder die Anwendung ungeeigneter Reinigungsmittel (Ofenreiniger oder abrasiver Chemikalien).



ACHTUNG! Wir empfehlen beim Entpacken des Geräts und bei der Montage Arbeitshandschuhe und eine Schutzbrille zu tragen. Wir unternehmen alle Anstrengungen, den Montageprozess so problemlos und sicher wie möglich zu machen, doch bearbeitete Stahlteile haben üblicherweise scharfe Kanten und Ecken, die zu Schnittverletzungen führen können, wenn sie während der Montage unsachgemäß gehandhabt werden.

ACHTUNG! Schmutz vom Bau oder Material vom Gemäuer können auf den Oberflächen der Einbaumodule Schäden verursachen. Wir empfehlen die Komponenten der Outdoorküchen erst nach Fertigstellung eines Baus und nach Reinigung des vorgesehenen Montageortes aufzustellen. Falls die Komponenten vorab eingebaut werden müssen, sollen ungeschützte Oberflächen vor Korrosion bewahrt werden. Alle Oberflächen müssen gereinigt werden nachdem der Einbau erfolgt ist. Verwenden Sie keine zu scharfen Reiniger (wie z.B. Salzsäure, etc.). Der in vielen Gemäuern enthaltene Kalk führt zu Korrosion. Während der Härtezeit (1 – 2 Monate) empfiehlt es sich, Edelstahl-Politur oder Wachs (es kann auch Autowachs verwendet werden) aufzutragen, um die Oberflächen vor den kalkhaltigen Materialien zu schützen.

DE

Erste Schritte

1. Alle Paneele für den Wagen, Hardware und Grilleinsatz aus dem Karton entnehmen. Haube öffnen und alle darin verpackten Komponenten entnehmen. Anhand der Stückliste sicherstellen, dass alle nötigen Teile vorhanden sind.
2. Zerstören Sie die Verpackung nicht, bevor der Grill vollständig montiert ist und zu Ihrer Zufriedenheit funktioniert.
3. Den Grill an der Stelle montieren, wo er verwendet werden soll. Legen Sie Pappe oder ein Handtuch zurecht, um während der Montage keine Teile zu verlegen oder zu beschädigen.
4. **Die meisten Edelstahl-Komponenten sind mit einer Plastik-Schutzfolie überzogen, die vor dem ersten Gebrauch des Grills entfernt werden muss. An manchen Stellen wurde die Schutzfolie bereits während des Produktionsprozesses entfernt und kann Rückstände hinterlassen haben, die wie Fehler oder Kratzer im Material aussehen. Um diese Rückstände zu entfernen, wischen Sie einfach mit sanftem Druck in Richtung der Maserung des Materials.**
5. Folgen Sie allen Anweisungen in diesem Handbuch in der angegebenen Reihenfolge.
6. Zwei Personen sind erforderlich, um den Grillaufsatz auf den montierten Wagen zu setzen.

Bei Fragen zur Montage oder zum Betrieb des Grills, oder bei beschädigten oder fehlenden Teilen, wenden Sie sich an unseren Kundendienst unter +1-866-820-8686 zwischen 9 Uhr und 15 Uhr Eastern Standard Time.

Erforderliche Werkzeuge für die Montage (Werkzeuge nicht enthalten)



10 mm

ABMESSUNGEN DER EINBAUÖFFNUNG

MODELL	ABMESSUNGEN DER ÖFFNUNG			ANMERKUNGEN
	W	D	H	
BIPRO500	781mm	524mm	225mm	ONHE NULL FREIRAUM-LINER
Seitenbrenner	324mm	419mm	114mm	ZUR KORREKTEN ENTLÜFTUNG DER SEITENBRENNER MUSS EINE ÖFFNUNG VON MINDESTENS 32cm ² VORHANDEN SEIN.



WARNUNG! Dieser Grill ist nur dann in einem Gehäuse aus brennbaren Materialien zu integrieren, wenn er im isolierten Gehäuse für Einbaugrills, Artnr. BI-3323-ZCL, gefasst ist UND nach örtlichen Bestimmungen bz. Gasgeräteinstallation und von einem qualifizierten Installateur installiert und gewartet wird

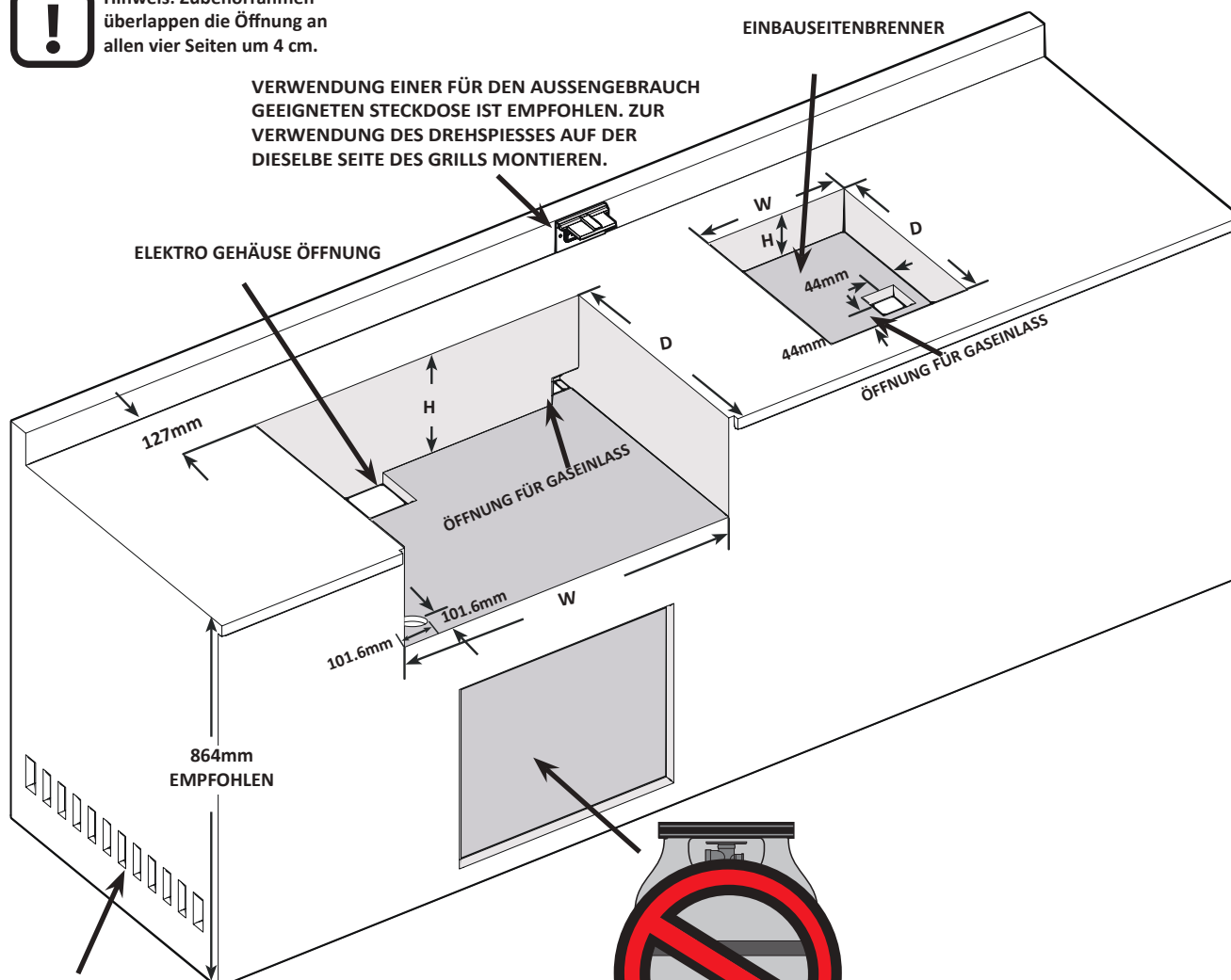


WARNUNG! Falls Grill nicht mit isoliertem Gehäuse für Einbaugrills installiert wird, ausschließlich nicht-brennbare Materialien (klasse A bis EN 13501-1 standard zertifiziert), wie z.B. Profilstahl, Zementplatten, Keramikfliesen, Marmor, Farbe usw. verwenden. Auch für die Oberfläche kein Holz und Gipskarton verwenden.



Hinweis: Zubehörrahmen überlappen die Öffnung an allen vier Seiten um 4 cm.

VERWENDUNG EINER FÜR DEN AUSSENGBRAUCH GEEIGNETEN STECKDOSE IST EMPFOHLEN. ZUR VERWENDUNG DES DREHSPIESSES AUF DER DIESELBE SEITE DES GRILLS MONTIEREN.



ZUR KORREKTEN BELÜFTUNG MUSS EIN MINDESTQUERSCHNITT VON 65 cm² AN ALLEN SCHRANKENDEN EINGEHALTEN WERDEN.

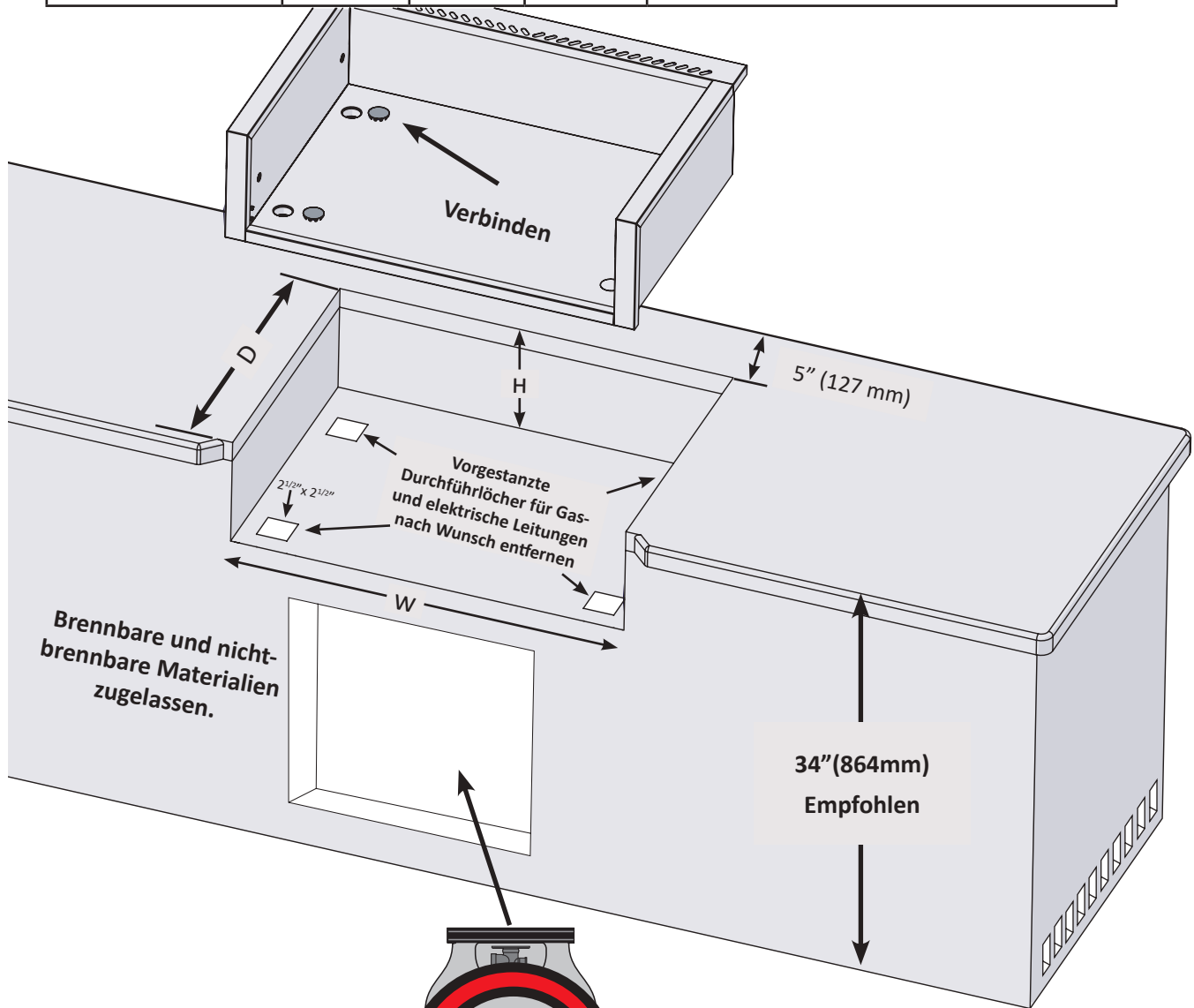


WARNUNG! FÜR DIE SCHRANKRAMEN, SCHRÄNKE UND ARBEITSFLÄCHEN AUSSCHLIESSLICH NICHT BRENNBARE MATERIALIEN VERWENDEN WENN DIESE NICHT MIT DEM ISOLIERUNGSMATERIAL INSTALLIERT WORDEN SIND, ART.-NR. BI-3323-ZCL



ABMESSUNGEN DER EINBAUÖFFNUNG

MODELL	ABMESSUNGEN ÖFFNEN			ANMERKUNGEN
	W	D	H	
BIP / BIPRO500 MIT ZERO CLEARANCE SHELL BI-3323-ZCL	33 " 840 mm	22 9/16 " 573 mm	9 1/16 " 230 mm	



Brennbare und nicht-brennbare Materialien zugelassen.

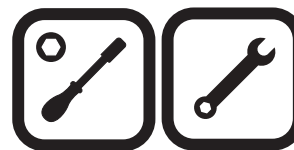
34" (864mm)
Empfohlen



WARNUNG! Es ist, auch während des Grillens, verboten, die Gasflasche unter dem Grill zu lagern.

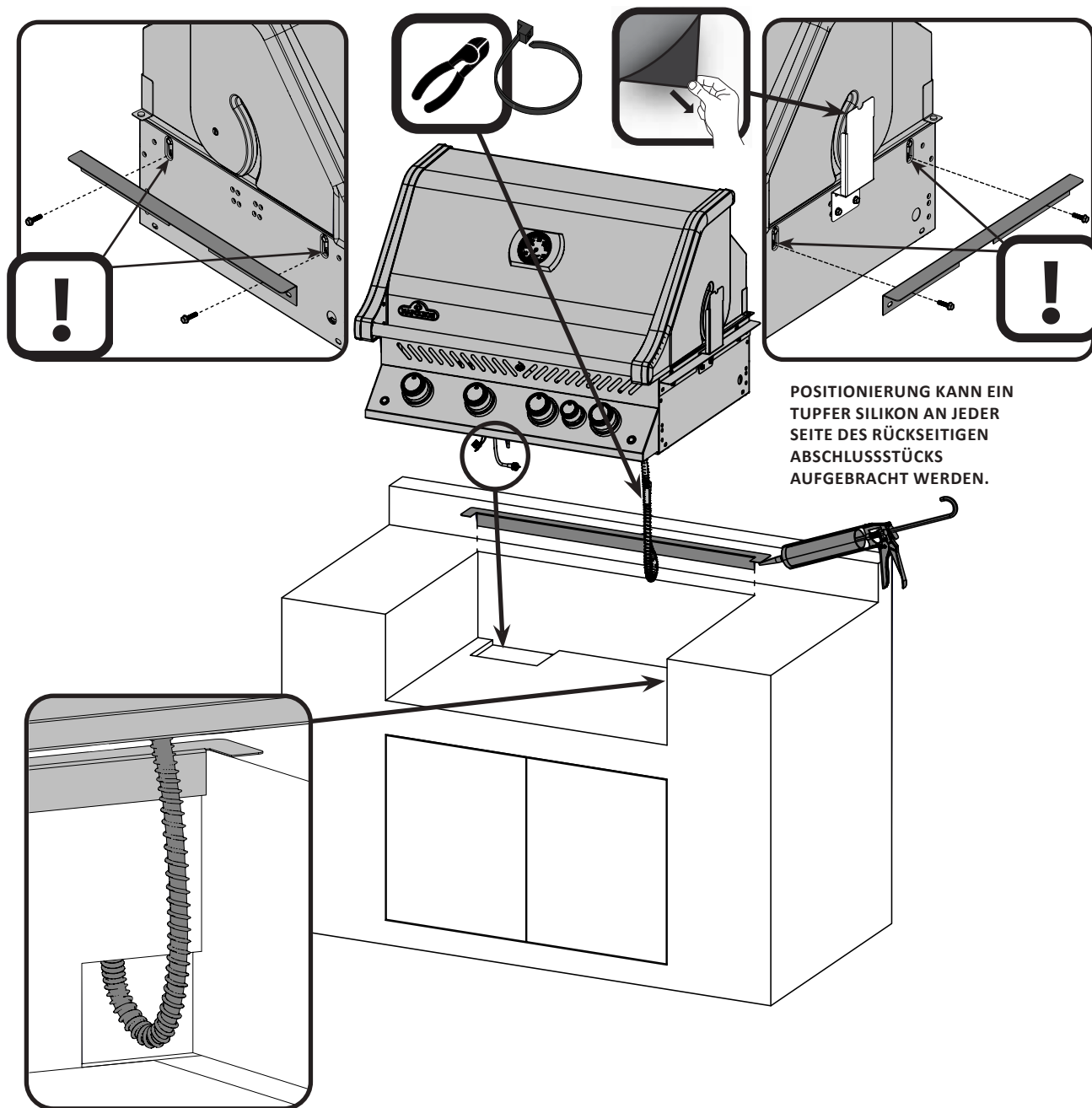
 **x4** (Werkseitig vorinstalliert.)

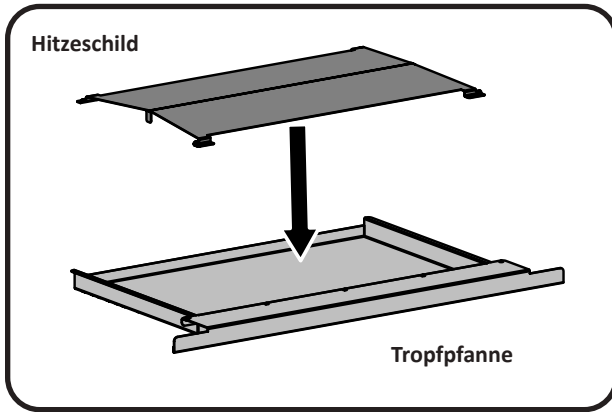
N570-0087 (1/4 -20 X 7/8")



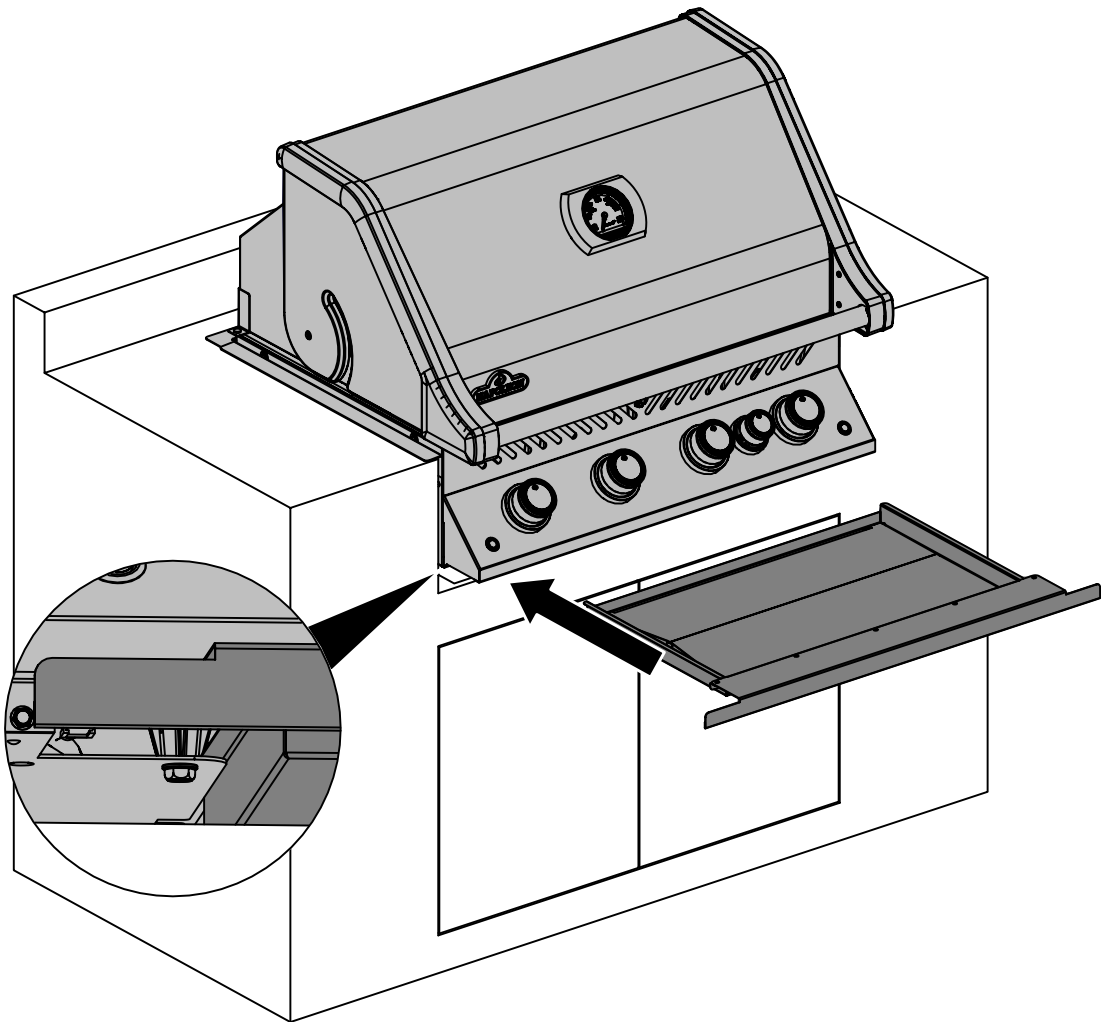
Dieses Grillgerät ist ausschließlich mit NICHT BRENNBAREN Schrankkonstruktionen in Mauerbauweise zu verwenden und die Installation und Wartung darf nur von einem zugelassenen Installateur unter Einhaltung der geltenden lokalen Vorschriften durchgeführt werden.

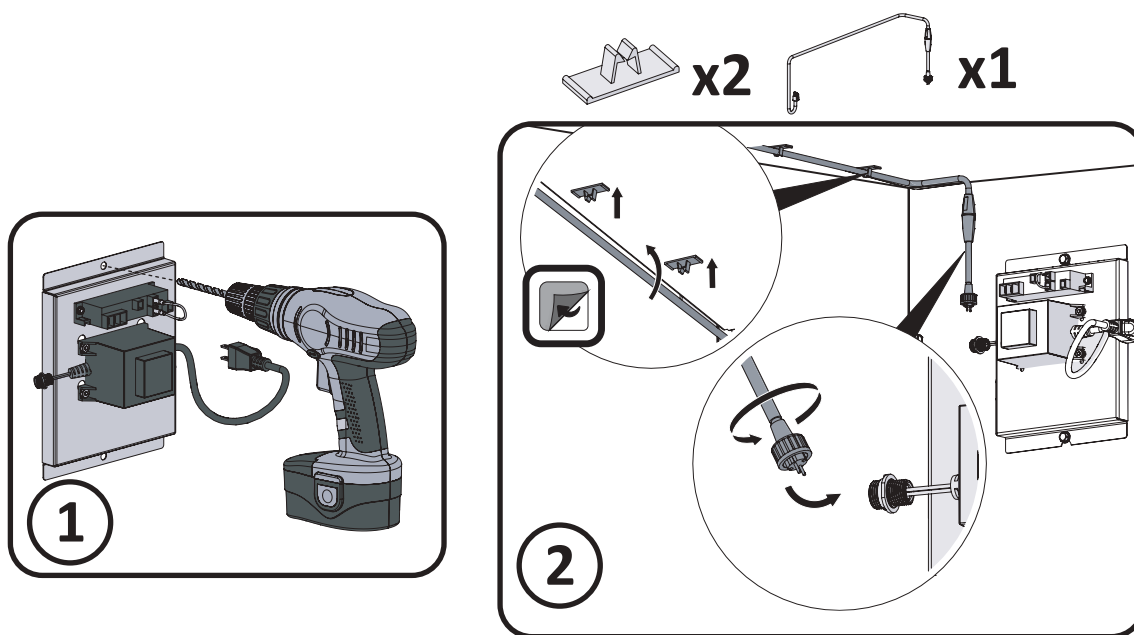
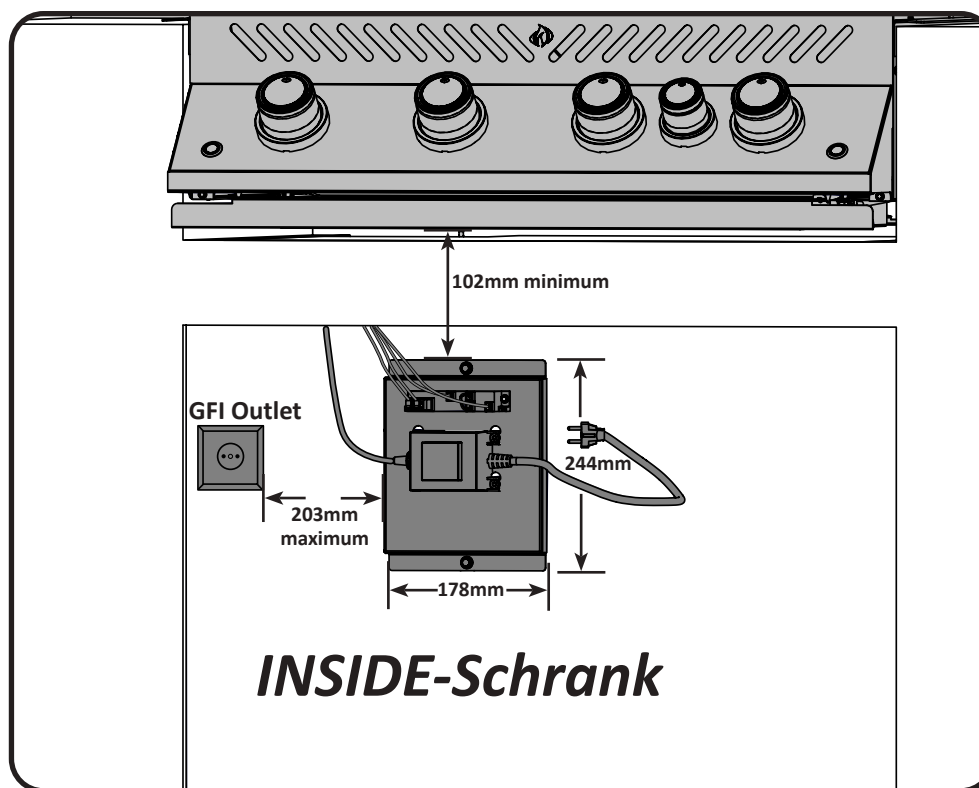
1. Seitliche Befestigungen und Seitenabschlussteile mit den beiliegenden (4) Nr. 1/4- 20 X 7/8" -Schrauben (N570-0087) an beiden Seiten des Grills montieren. Werkseitig vorinstalliert.
2. Rückseitiges Abschlusstück quer über die Rückseite der Öffnung legen. Zur sicheren Positionierung kann ein Tupfer Silikon an jeder Seite des rückseitigen Abschlusstücks aufgebracht werden.
3. Das Gerät einpassen, die Flügelstücke an der rückseitigen Verkleidung sollten sich unterhalb der Seitenabschlussteile befinden. Die Flex-Leitung für die Gaszufuhr mit der Überwurfmutter am Verteilerende anschließen.
4. Vor Inbetriebnahme des Geräts die gesamte Installation auf Gaslecks prüfen.





DE

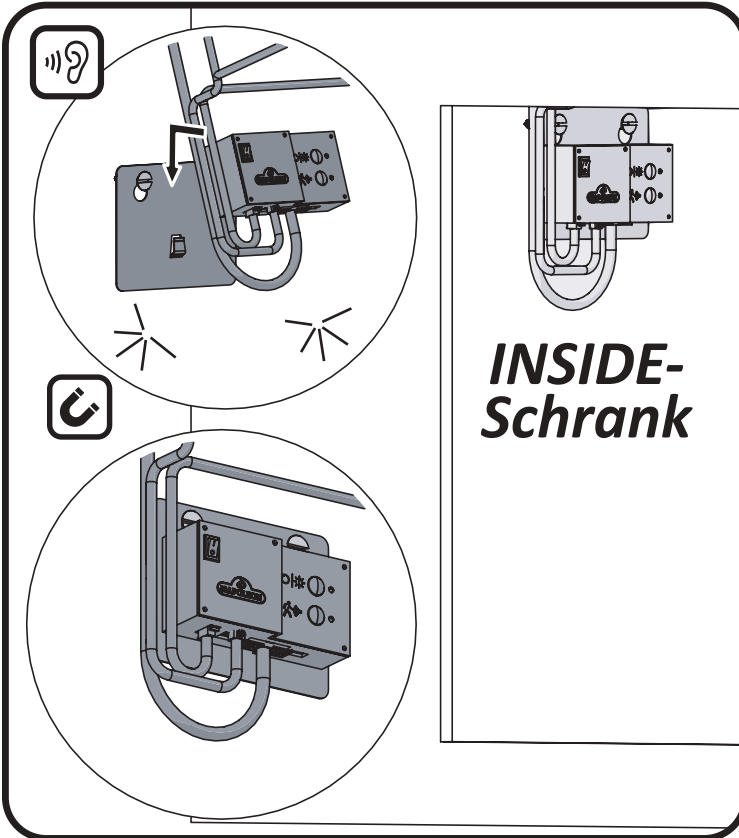
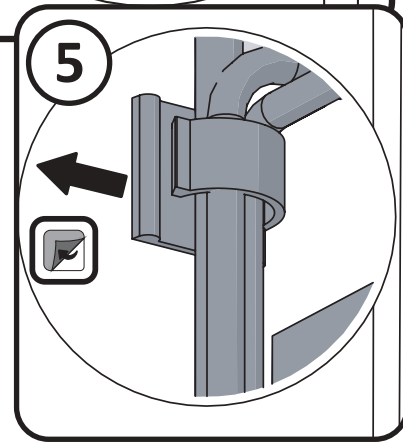
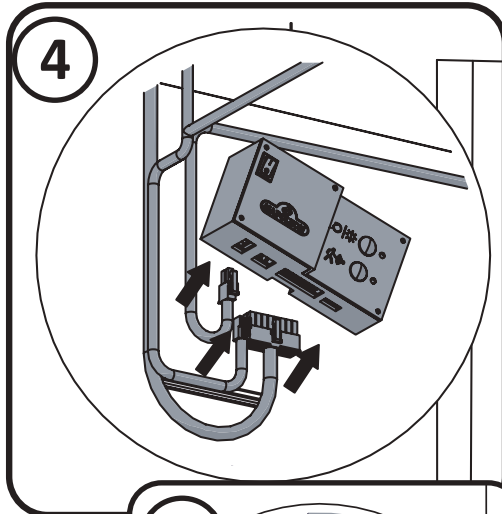
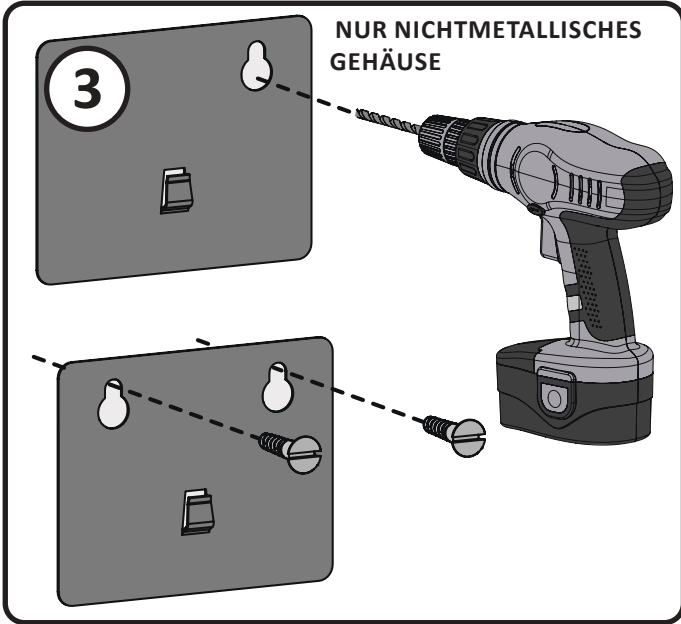
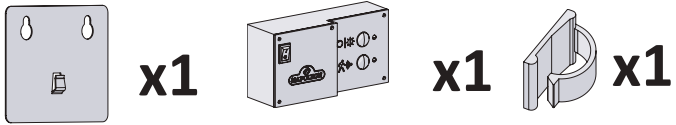




WARNING! Die Nichtbeachtung dieser Anweisungen kann zu Sachschäden, Verletzungen oder zum Tod führen.

Die Elektrosysteme des Grills sind in einer Box vormontiert, die mindestens 102 mm (4") über dem Boden des Grills befestigt werden muss (wie dargestellt). Befestigen Sie die Elektro-Box an der Innenseite des Grillunterschrank und vergewissern Sie sich, dass die Belüftungsöffnungen nicht blockiert sind.

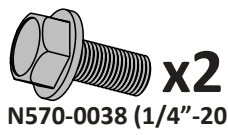
Stecken Sie das Netzteil an eine Erdungs-geschützte Steckdose. Entfernen Sie niemals den Erdungsstecker und verwenden Sie nie einen Adapter mit nur zwei Stiften.



DE



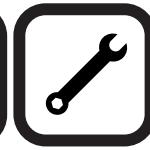
IM-UGC500



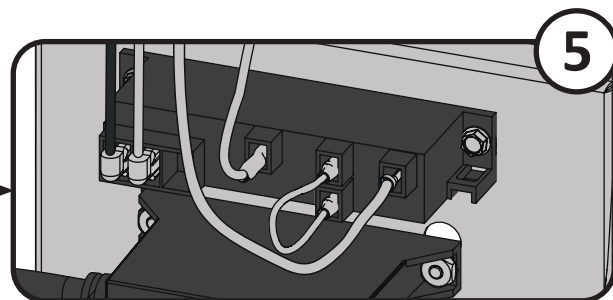
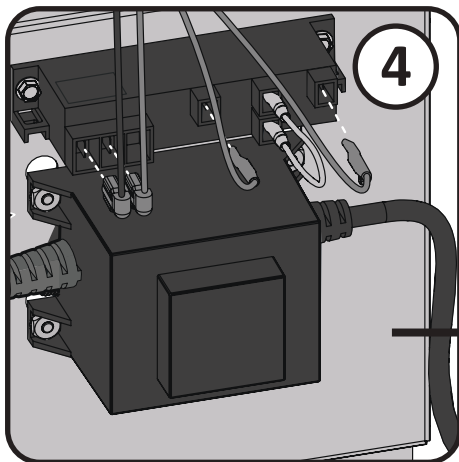
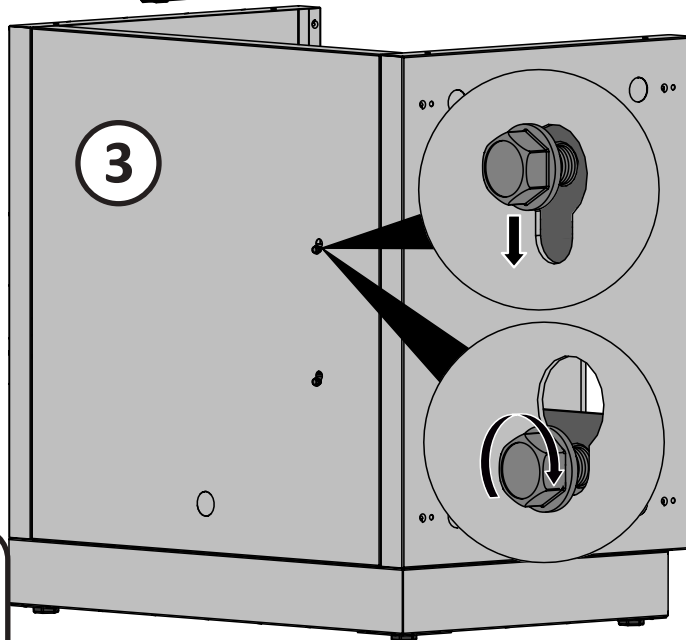
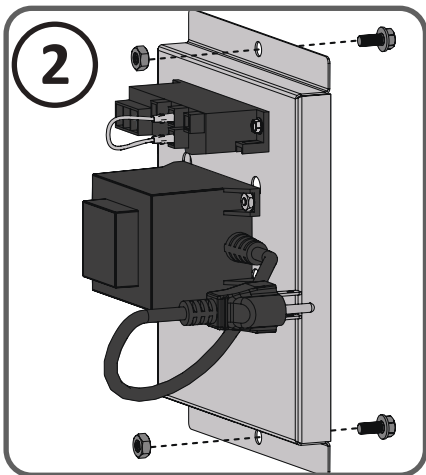
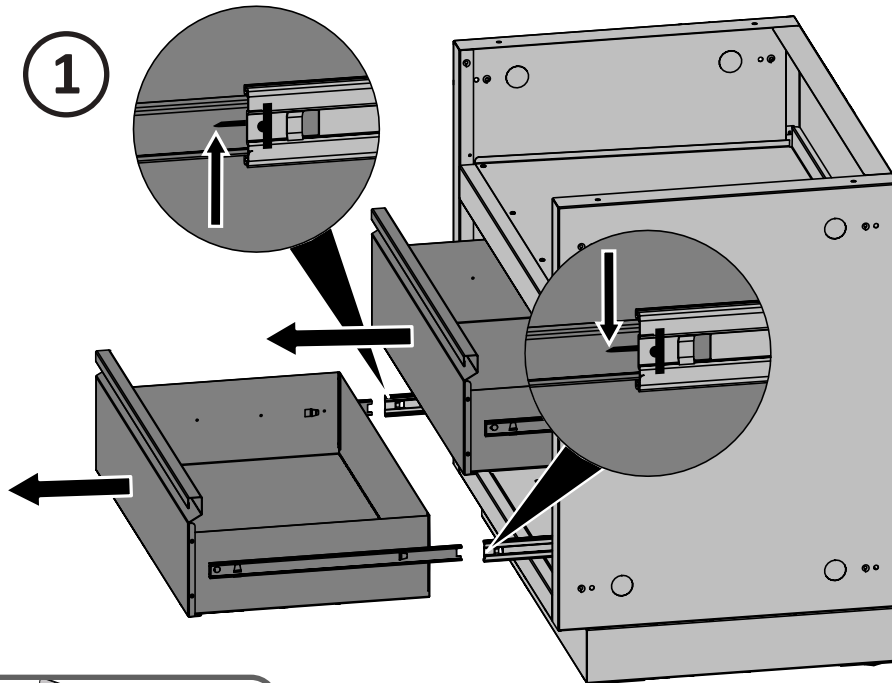
N570-0038 (1/4"-20 X 1/2")

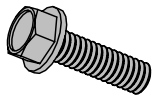


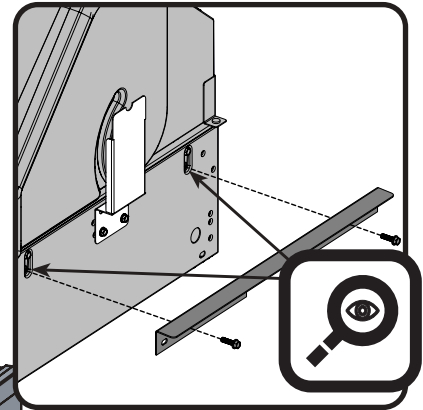
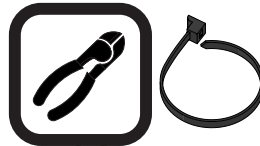
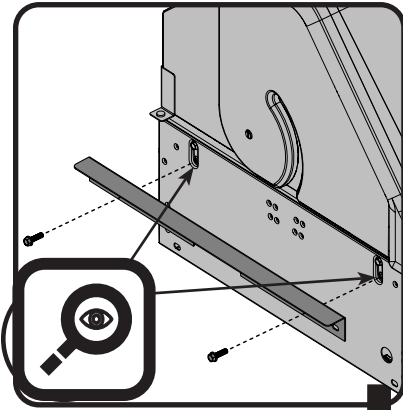
N450-0008 (1/4"-20)



DE

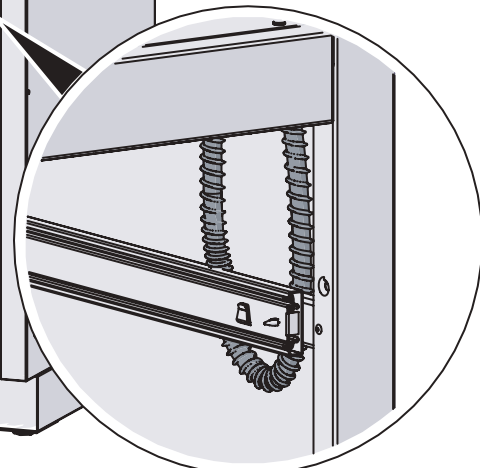
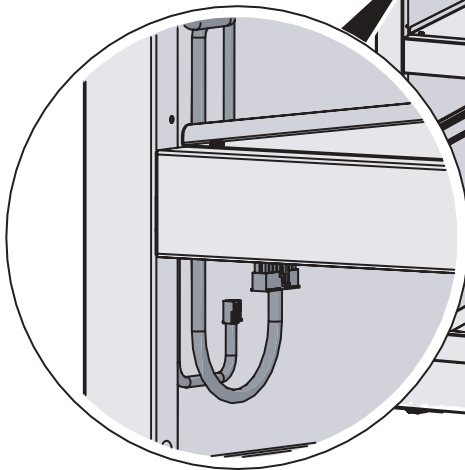


 **x4** (Werksseitig vorinstalliert.)
 N570-0087 (1/4" -20 X 7/8")

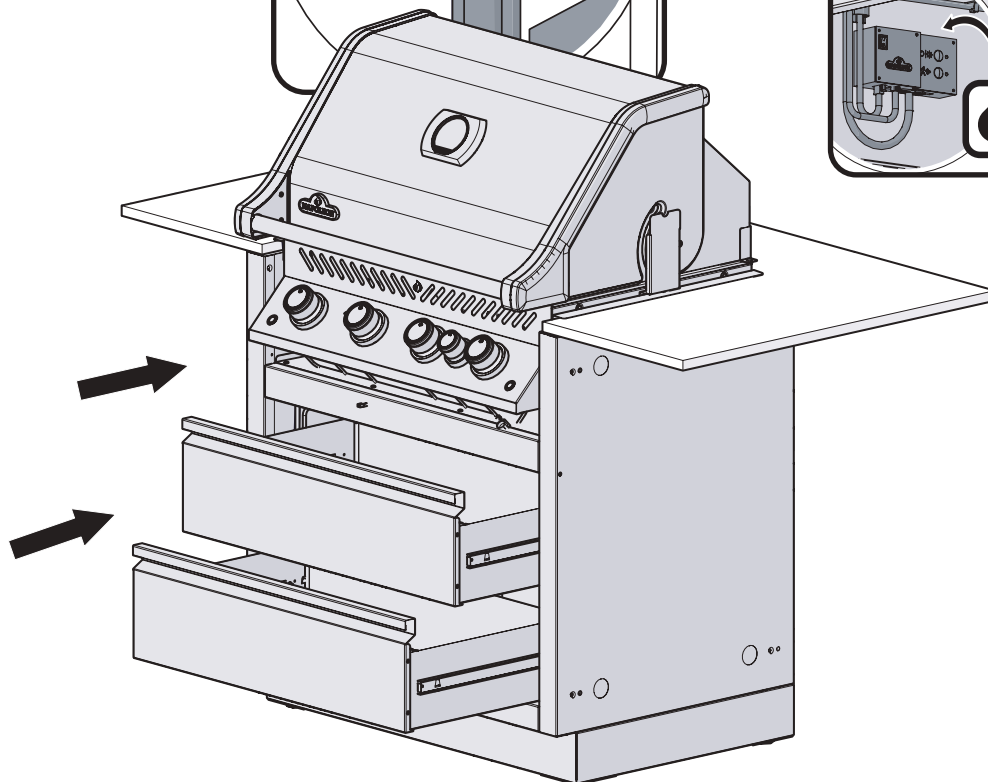
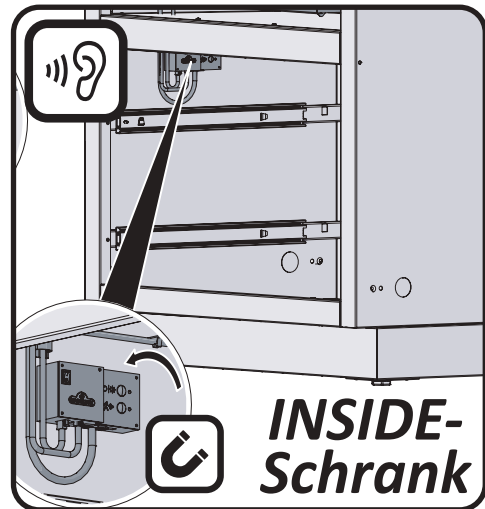
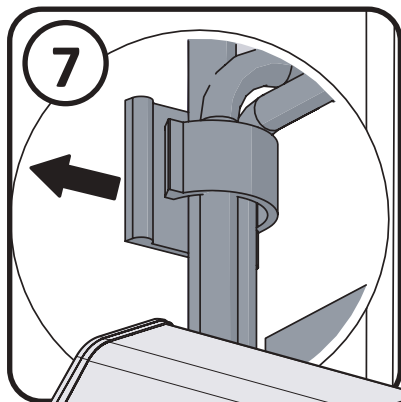
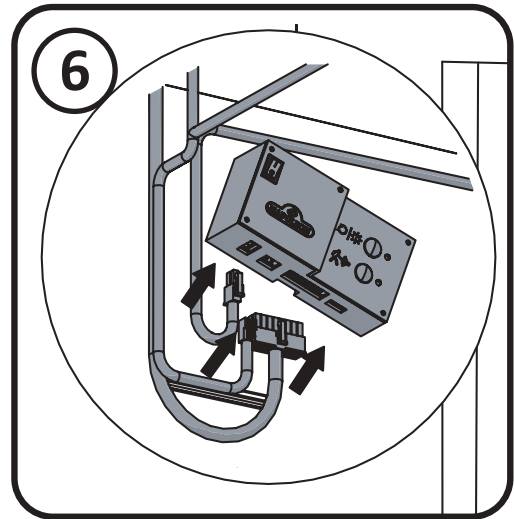
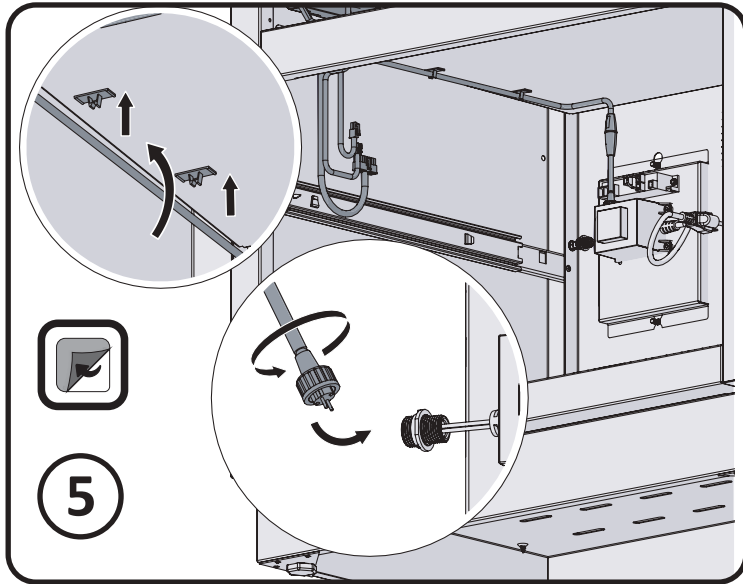
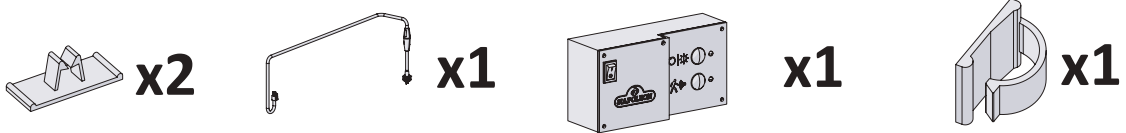


ARBEITSPLATTE ERFORDERLICH
 (NICHT ENHALTEN)

IM-UGC500

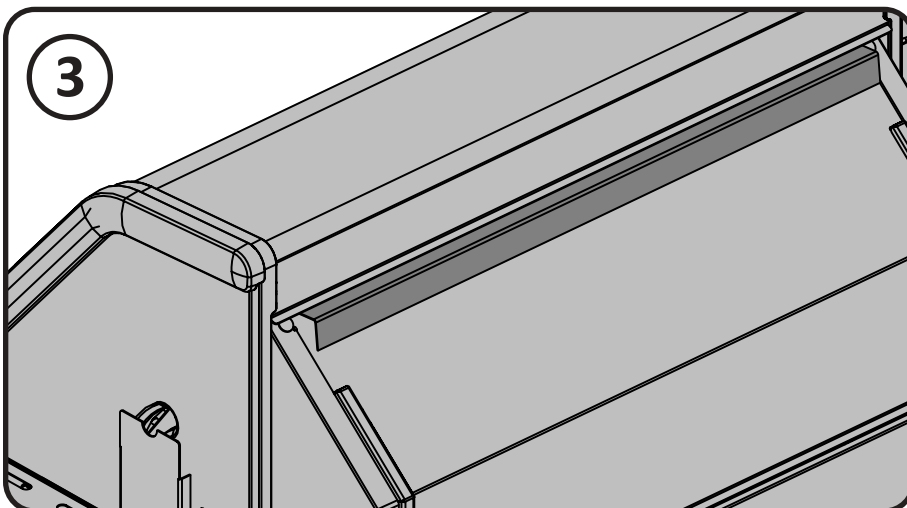
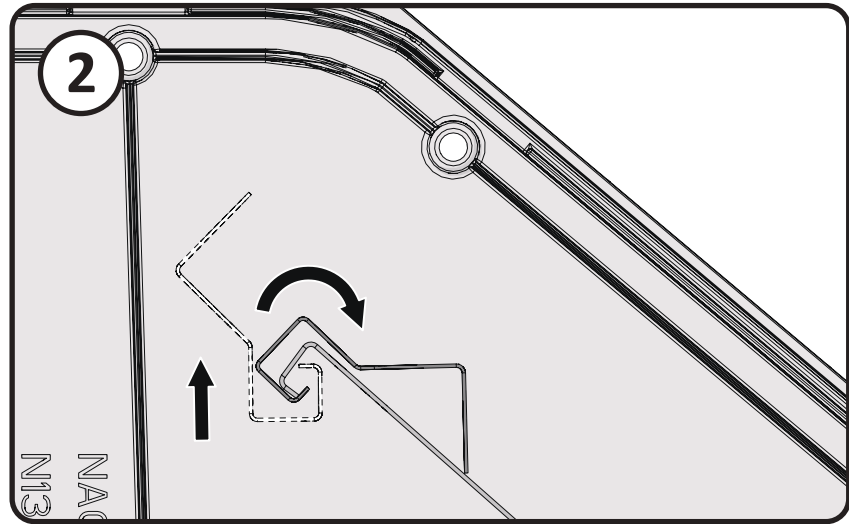
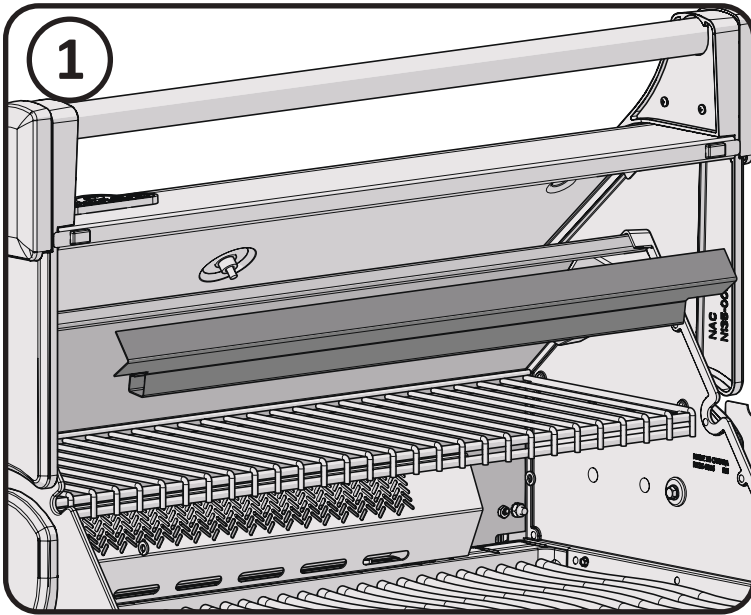


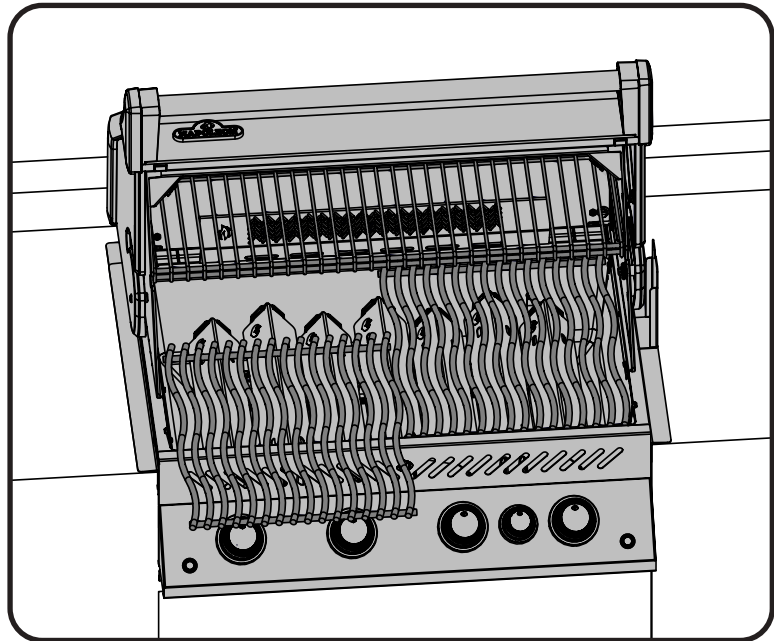
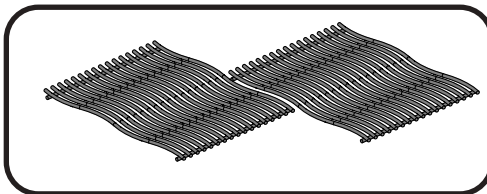
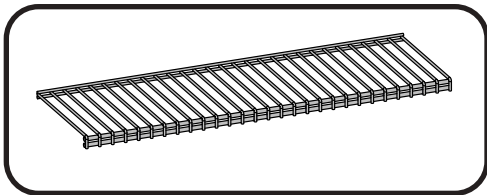
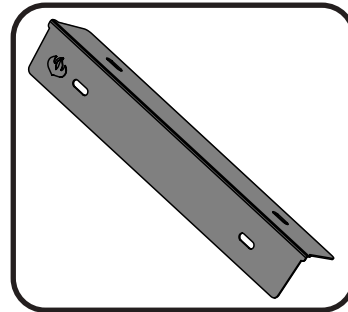
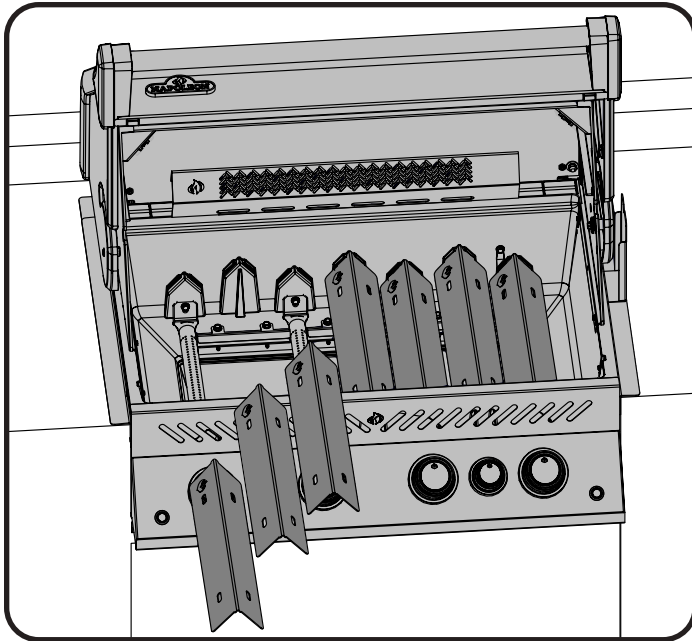
DE



DE

DE





Etikett zur verfügung gestellt



KLEBE DEN WARNTAFEL-AUFKLEBER AUF EINE FLÄCHE, DIE WÄHREND DES GRILLENS SICHTBAR IST, AUF.

ANLEITUNG FÜR DIE LECKAGEPRÜFUNG



WARNUNG! Ein Leckagetest muss vor der ersten Benutzung, jährlich und nach Auswechseln oder Warten eines Gasbauteils durchgeführt werden.



WARNUNG! Während der Prüfung ist Rauchen verboten. Alle Zündquellen sind zu entfernen.



Leckageprüfung: Ein Leckagetest muss vor der ersten Benutzung, jährlich und nach Auswechseln oder Warten eines Gasbauteils durchgeführt werden. Während der Prüfung ist Rauchen verboten. Alle Zündquellen sind zu entfernen. Die zu prüfenden Stellen sind auf der *Leckageprüfzeichnung* aufgeführt. Alle Brenner abstellen. Flaschenventil aufdrehen.

Seifenwasser (halb Wasser, halb Flüssigseife) auf alle Anschlüsse und Verbindungen an Regler, Schlauch, Verteiler und Ventile auftragen.

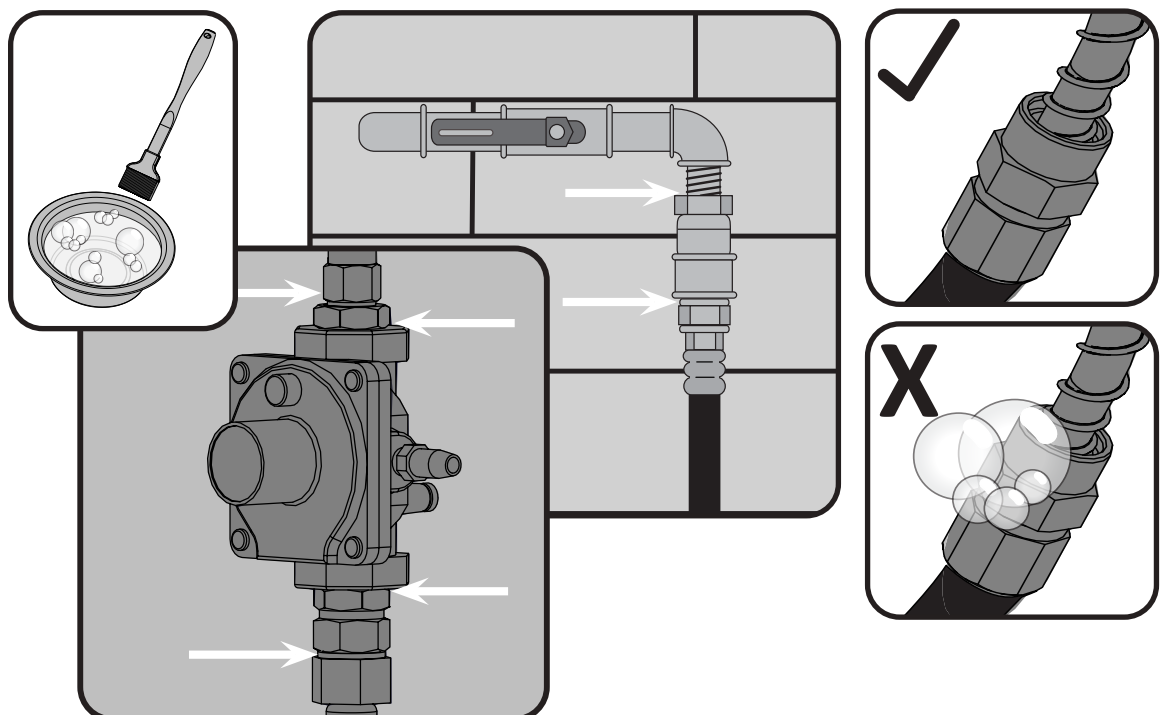
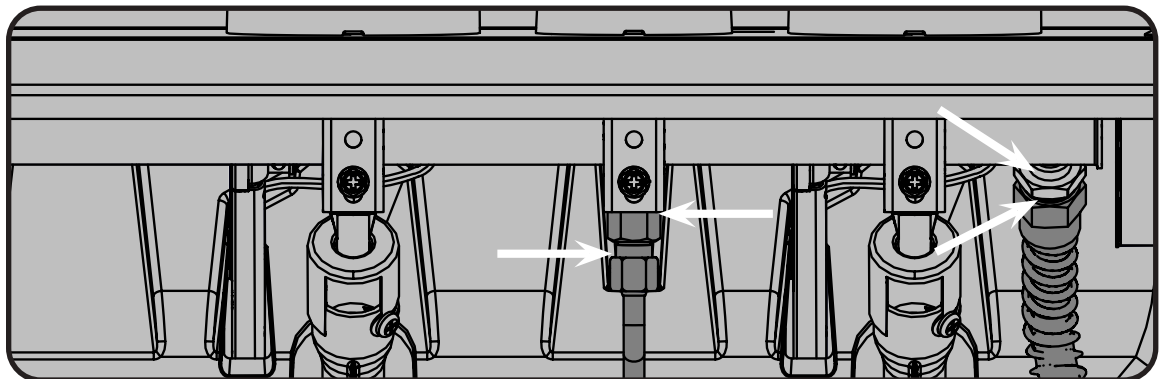


Leckagen werden durch Blasenbildung angezeigt. Leckage durch Festdrehen des Anschlusses oder Austausch des Teils durch ein vom Händler empfohlenes Teil beseitigen.

Bleibt die Leckage bestehen, Flaschenventil zudrehen, Regler abnehmen und Grill vom Gaslieferanten oder Händler untersuchen lassen. Das Gerät darf erst wieder benutzt werden, wenn die Leckage behoben ist.



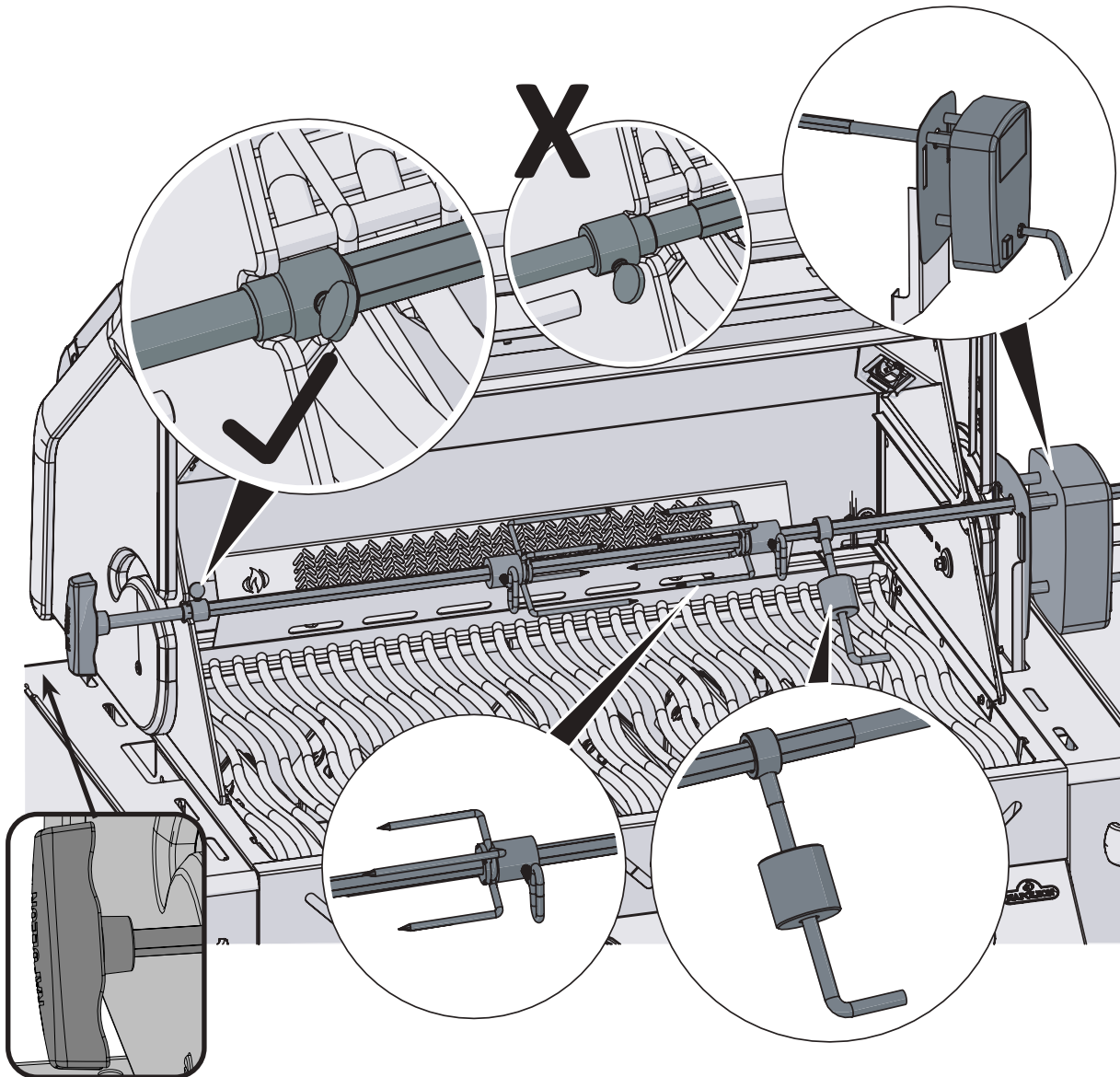
Gaszufuhr abstellen.



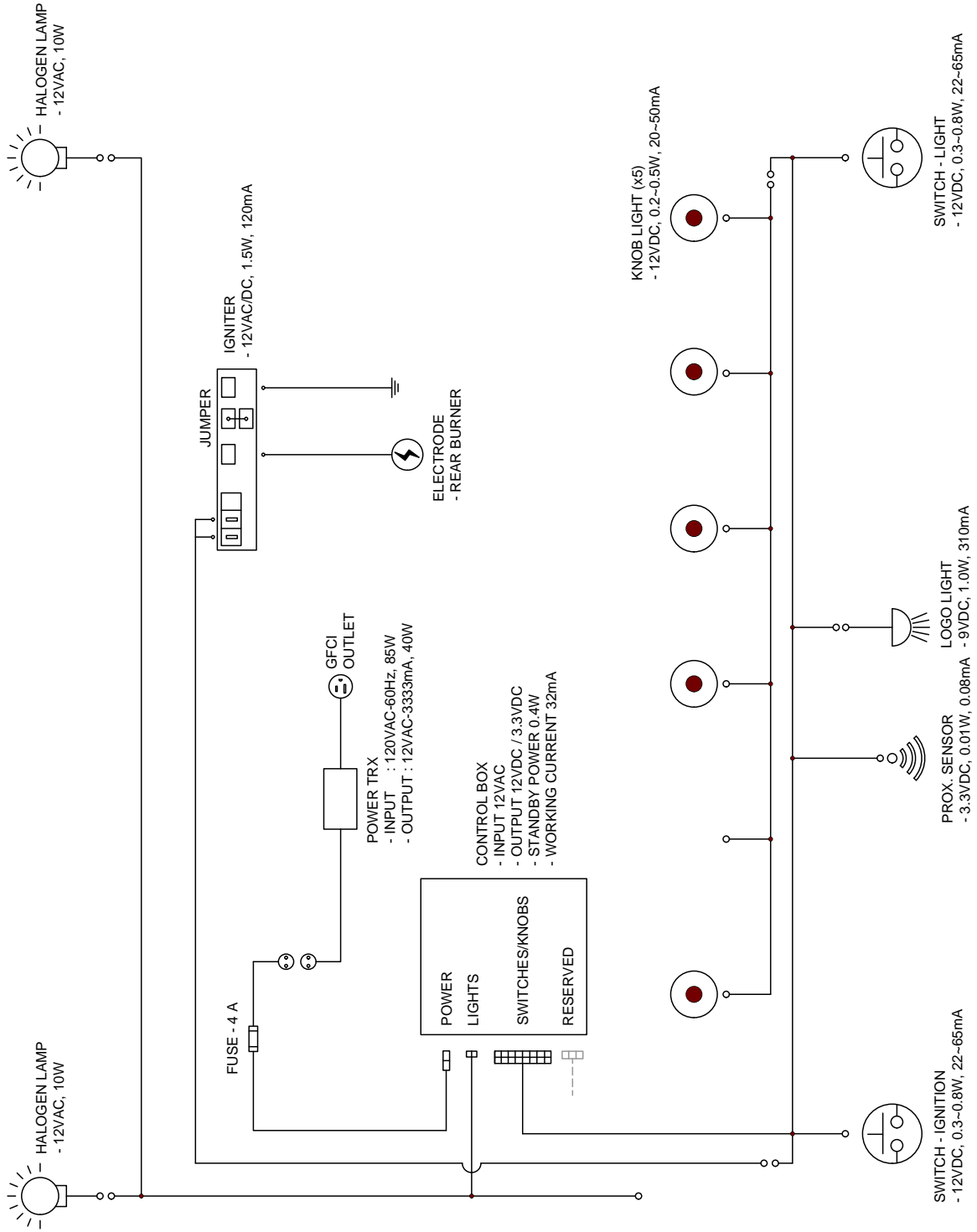
Anweisungen für die Montage des Drehspieß-Sets

(optionale)

Komponenten des Drehspieß-Sets wie gezeigt montieren.



Sicherstellen, dass die Anschlagbuchse an der Innenseite des Haubengussteils fest angezogen ist.



Parts List / Stückliste

ITEM	PART #	DESCRIPTION	BIPRO500
1	N520-0038	warming rack	x
2	S83014	cooking grids - wave stainless rod	x
3	S87011	cross light bracket kit	x
4	N010-1092-SER	lid pivot hardware kit	x
5	S87001	burner & sear plate kit	x
6	N010-0811-SS	lid assembly - stainless steel	x
	N010-0747-BK	lid assembly - black	x
7	N510-0013	black silicone lid bumper 60A	x
8	N385-0308-SER	NAPOLEON logo	x
9	N715-0091	trim left side lid casting	x
10	S91005	temperature gauge	x
11	N715-0092	trim right side lid casting	x
12	N010-0933	hood assembly	x
13	N200-0110	light wire cover	x
14	N570-0012	1/4"-20 X 5/8 carriage bolt	x
15	W735-0011	3/4" washer	x
16	N450-0006	1/4" - 20 nut	x
17	N350-0072	housing left light	x
18	N402-0017	light	x
	W387-0006	replacement bulb	ac
19	N350-0073	housing right light	x
20	N450-0009	10-24 nut	x
21	N570-0112	10-24 x 5/8" screw	x
22	N010-1171-SER	control panel	p
	N010-1172-SER	control panel	n
23	N010-1137	control panel wire harness	x
24	N010-0712	manifold assembly	p
	N010-0713	manifold assembly	n
25	N660-0009	switch	x
26	N570-0078	M4 x 8mm screw	x
27	N385-0348	logo	x
28	N585-0098	switch heat shield	x
29	N010-1097	large control knob bezel	x
30	N380-0035-CL	burner control knob large	x
31	N380-0034-CL	burner control knob small	x
32	N010-1098	small control knob bezel	x
33	N010-1211	logo light bracket assembly	x
34	N475-0489	control panel	x
35	N080-0292	lid stop bracket right	x
36	N080-0291	lid stop bracket left	x
37	N570-0008	#8 x 1/2" screw	x
38	N240-0001	rear burner electrode	x

Parts List / Stückliste

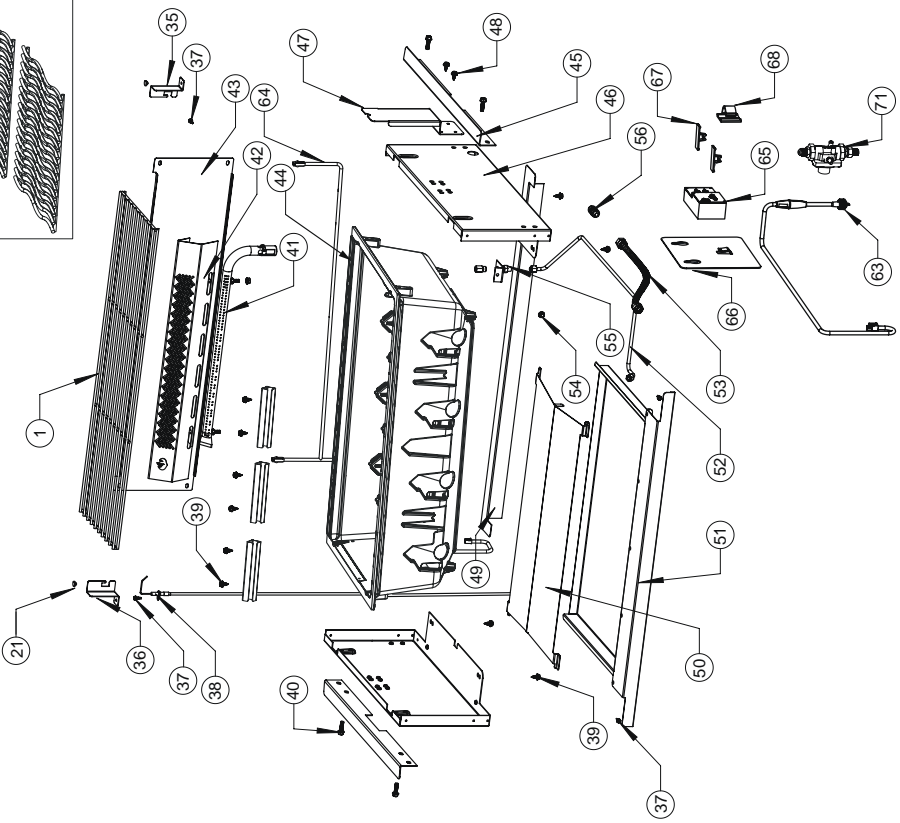
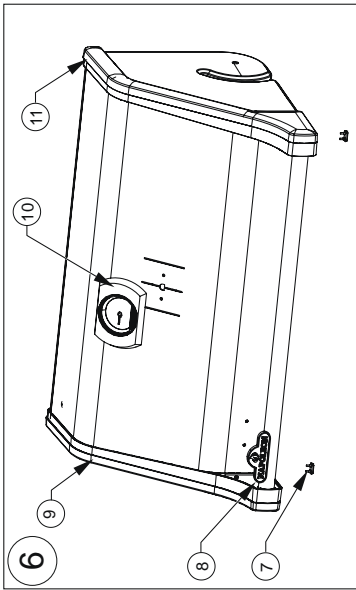
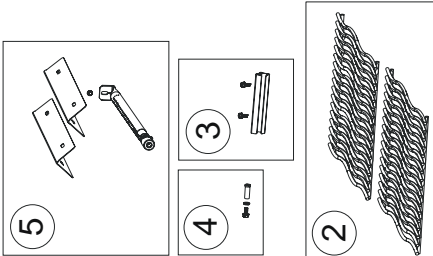
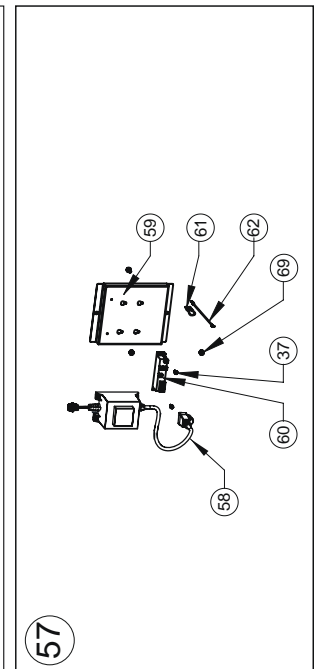
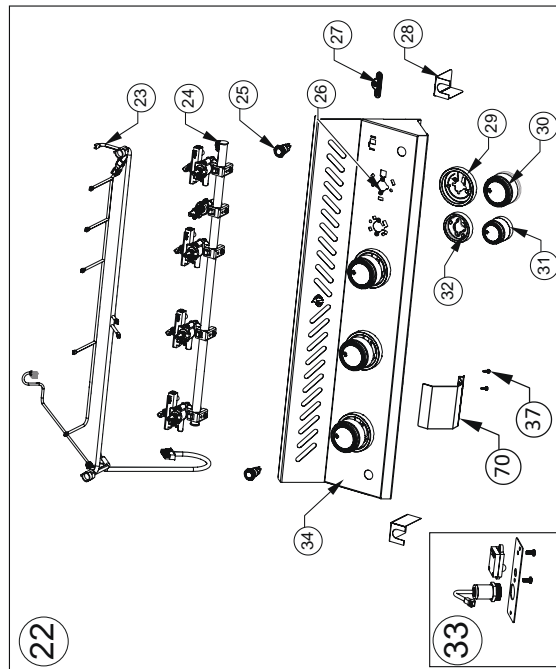
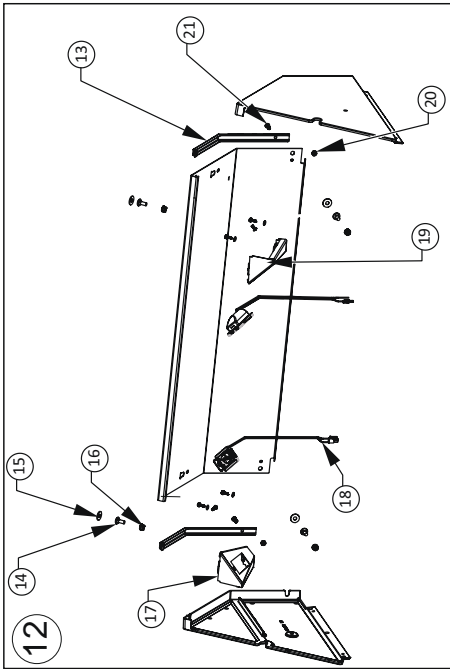
ITEM	PART #	DESCRIPTION	BIPRO500
39	N570-0122	1/4-20 x 3/8" screw	x
40	N570-0087	1/4-20 x 7/8" screw	x
41	N100-0045-SER	rear burner	x
42	N350-0069	rear burner housing	x
43	N200-0120-GY1SG	back cover	x
44	N010-1090-SER	base casting	x
45	N080-0213	bracket unit mount	x
46	N080-0282-GY1HT	bracket, unit mounting	x
47	N475-0016	rotisserie mount	x
48	N570-0086	#14 x 1/2" screw	x
49	N715-0094	rear trim	x
50	N585-0083	heat shield	x
51	N010-0723	drip pan	x
52	N720-0058	rear burner supply tube	x
53	N010-0281	manifold flex connector	x
54	N570-0068	#14 x 1/2" screw stn stl	x
55	N010-0736	rear burner orifice assembly	p
	N010-0737	rear burner orifice assembly	n
56	W445-0031	union fitting 3/8"	x
57	N010-1223	electrical panel assembly CE	x
	N010-1225	electrical panel assembly GB	x
58	N707-0014	transformer CE	x
	N707-0013	transformer GB	x
59	N475-0369-GY1SG	electrical panel	x
60	N357-0022	electronic ignition - 4 spark	x
61	N750-0034	wire connector igniter	x
62	N750-0048	ground wire	x
63	N750-0069	control box wire harness	x
64	N750-0082	halogen light wire	x
65	N190-0005	control box	x
66	N475-0495	control box mount	x
67	W160-0095	small wire clip	x
68	N160-0039	large wire clip	x
69	N450-0008	1/4"-20 nut	x
70	N080-0442	mounting bracket assembly	x
71	N530-0023-SER	regulator step down	p
	N530-0026-SER	regulator step down	n
	N215-0016	wind deflector	x
	69213	rotisserie kit -UK	ac
	69212	rotisserie kit - CE	ac
	69233	rotisserie kit commercial -UK	ac
	69232	rotisserie kit commercial - CE	ac

Parts List / Stückliste

ITEM	PART #	DESCRIPTION	BIPRO500
	61501	cover	ac
	56040	cast iron griddle	ac
	67732	charcoal tray	ac

x - standard n - Erdgas p - Propan ac -Zubehör

BIPRO500RB





70

NOTES





NOTES





Napoleon products are protected by one or more U.S. and Canadian and/or foreign patents or patents pending.



N415-0541CE-GB-DE

