

Modena Arbour

English SS412

Assembly Instructions

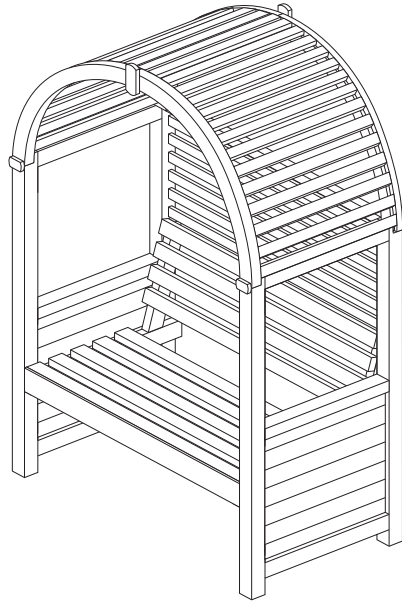
Before assembly

- We recommend that time is taken to read the instructions before starting assembly, then follow the easy step by step guide. The instruction sheet is only a guide to the assembly. Certain items may not be shown to scale.
- Check all components prior to assembly
- This product should be assembled by no less than two people
- Drill all components where indicated



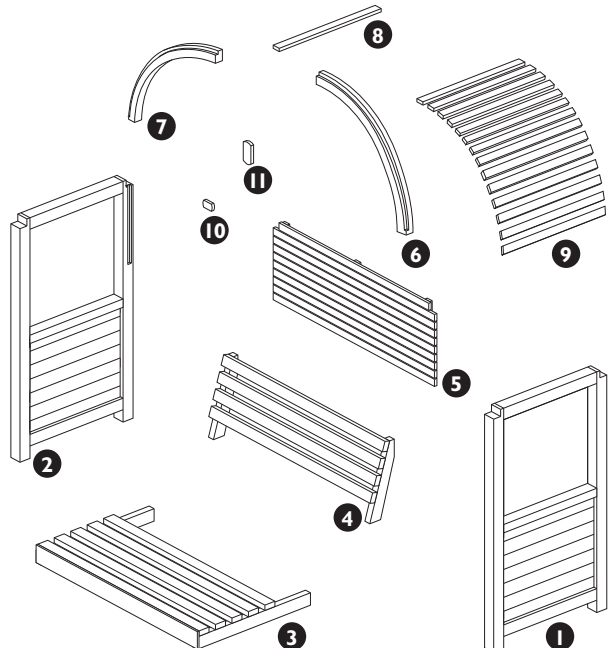
Recommended tools for assembly

- Power drill/screwdriver
- 3mm drill bit
- Crosshead screwdriver bit



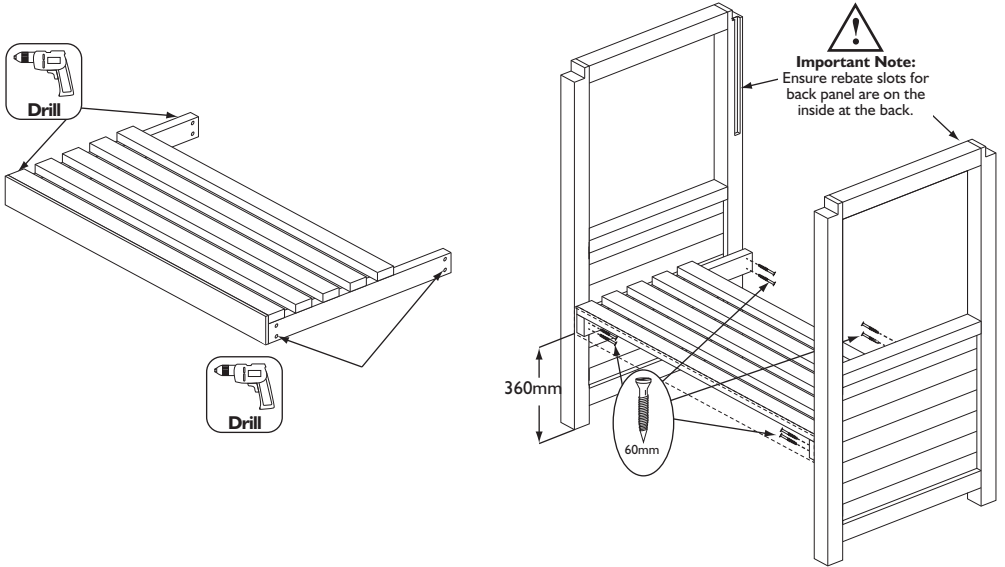
| No. | Components | Qty. |
|-----|------------------------------|------|
| 1 | Right-hand upright | 1 |
| 2 | Left-hand upright | 1 |
| 3 | Seat | 1 |
| 4 | Seat back | 1 |
| 5 | Back panel | 1 |
| 6 | Back right/front left rafter | 2 |
| 7 | Front right/back left rafter | 2 |
| 8 | Centre roof slat | 1 |
| 9 | Roof slat sections | 2 |
| 10 | Small finial | 4 |
| 11 | Large finial | 2 |

| No. | Fixing Kit | Qty. |
|-----|---------------|------|
| 12 | Wooden dowels | 2 |
| 13 | 60mm screws | 14 |
| 14 | 50mm screws | 8 |
| 15 | 40mm screws | 84 |
| 16 | 35mm screws | 6 |



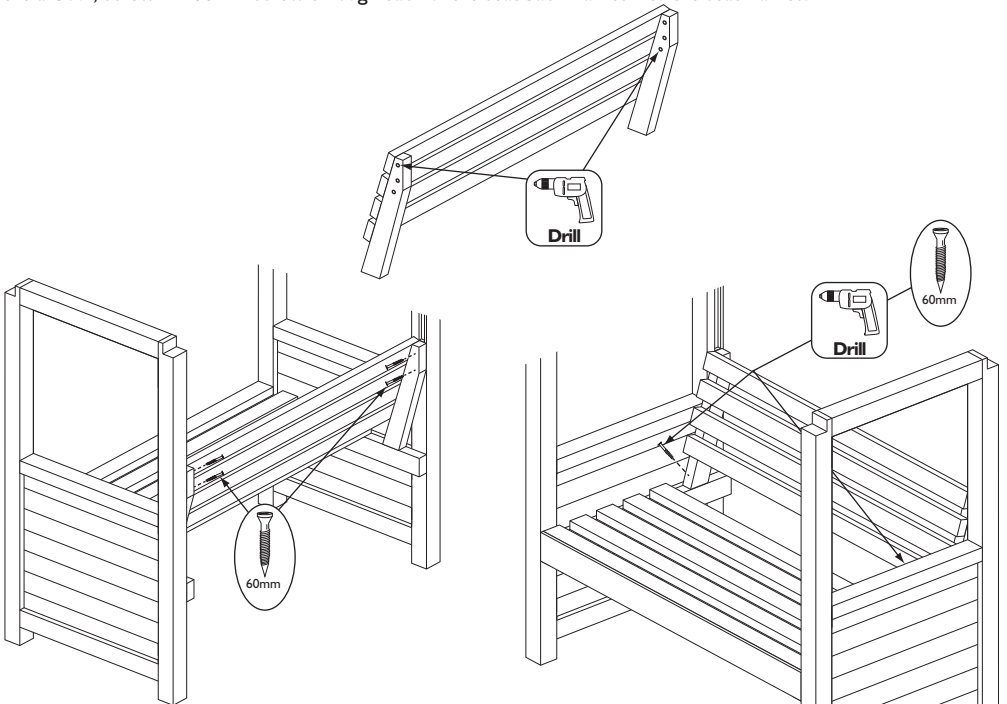
1. Seat to uprights

Drill four holes in each of the seat frames as shown in the diagram. Position the seat between the two uprights, 360mm from the bottom of the upright. Secure through the drilled holes into the upright legs using 8 x 60mm screws.



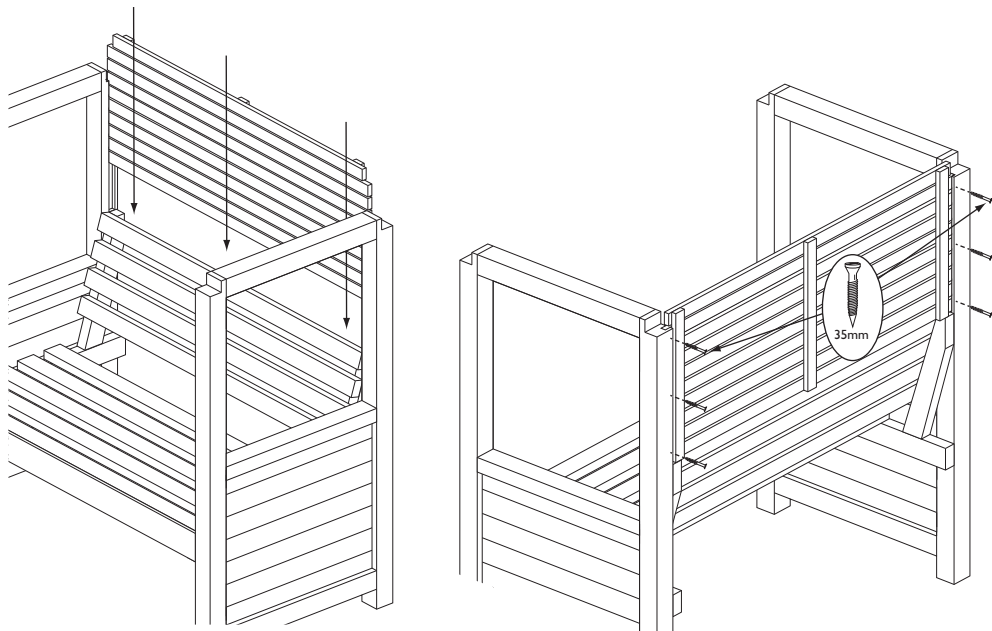
2. Seat back to uprights

Drill four holes in the frames of the seat back as shown in the diagram. Place the seat back on the seat between the two uprights. Secure through the drilled holes into the legs of the uprights using 4 x 60mm screws. From the front of the arbour, screw 1 x 60mm screw through each of the seat back frames into the seat frames.



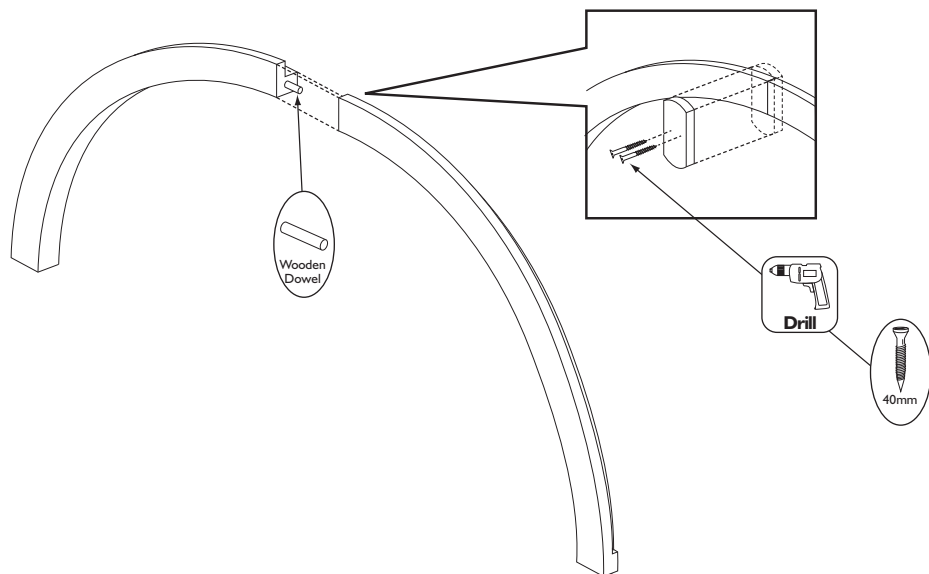
3. Back panel

Slot the back panel into the rebates of the uprights and slide down until it rests on the seat back. Ensure the top edge of the panel is level with the top of the uprights. Secure the in place using 6 x 35mm screws.



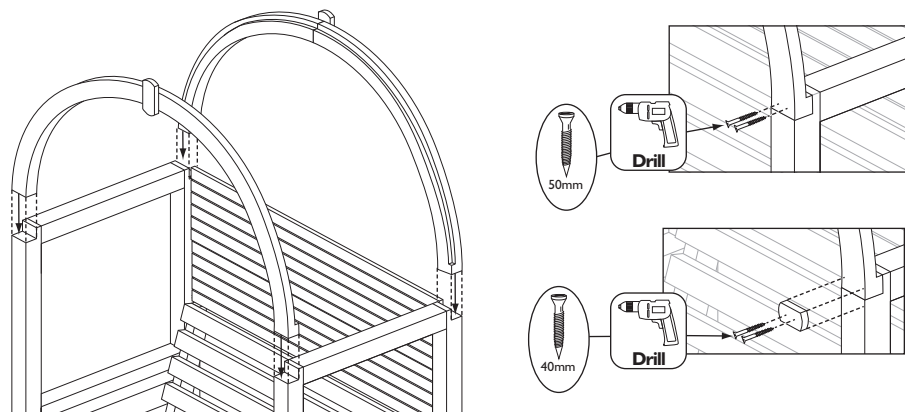
4. Roof rafter assembly

Slot together one of each rafter using a dowel. Drill two holes in a large finial. Secure using 2 x 40mm screws centrally over the join of the two rafters. Create a second rafter assembly in the same way.



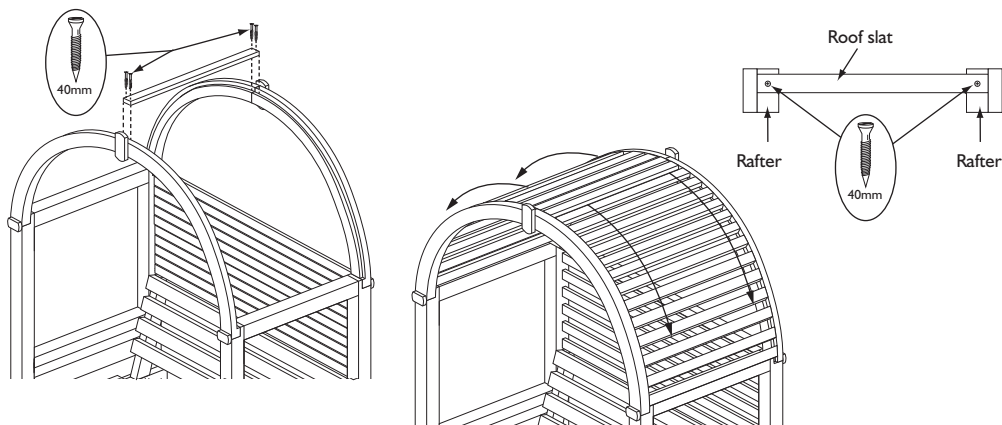
5. Rafters to uprights

Lift the rafter sections onto the rebates of the uprights. Drill two holes at each corner of the roof, then secure the roof to the uprights using 2 x 50mm screw per corner. Drill two holes in each small finial. Secure the finials over the joints between the rafter and the uprights using 2 x 40mm screws per finial.



6. Roof slats

Position the centre roof slat into the rebate and fix in place using 4 x 40mm screws. Evenly spread a roof slats section over each side of the roof and secure using 2 x 40mm screws per slat, screw through the slats and into the rafters.



Information

IMPORTANT: RETAIN FOR FUTURE REFERENCE READ CAREFULLY

- Periodically check all fastenings for tightness
- For domestic use only

If in doubt of any aspect regarding the assembly, use or safety of your garden arbour please contact us:

Help Line: (Normal Office Hours) 01829 261 121

Email: support@rowgar.co.uk

ROWLINSON GARDEN PRODUCTS LIMITED
Green Lane
Wardle Nr. Nantwich
Cheshire
CW5 6BN
www.rowgar.co.uk

We constantly improve the quality of our products, occasionally the components may differ from the components shown and are only correct at time of printing. We reserve the right to change the specification of our products without prior notice.

2017 © Rowlinson Garden Products Ltd