



# HOW TO ASSEMBLE

## MILANO™ 10x10 / 3x3

### IMPORTANT!

Please read these instructions carefully before starting assembly.  
Keep these instructions in a safe place for future reference.



A member of  
Palram Industries Ltd.

[www.canopia.com](http://www.canopia.com)





# 1

## PARTS REQUEST

**In the case of missing or damaged parts, do not return product to store.**

Go to the link below or scan the QR code for help, it will direct you to a form that will help us assist you as soon as possible.



Contact us on our website:  
[bit.ly/3js7yZi](https://bit.ly/3js7yZi)

SCAN ME

# 2

## ASSEMBLY ASSISTANCE

If you need any technical assistance in assembling your product, go to the link below or scan the QR code for help. It will direct you to a form that will help us assist you as soon as possible.



Contact us on our website:  
[bit.ly/3kqqFEc](https://bit.ly/3kqqFEc)

SCAN ME



## CUSTOMER SUPPORT



SCAN ME

# WE ARE HERE TO HELP

For general questions: [bit.ly/3kY07dP](https://bit.ly/3kY07dP)

USA	
	877-627-8476
	<a href="mailto:hobbyservice@poly-tex.com">hobbyservice@poly-tex.com</a>

GERMANY	
	0180-522-8778
	<a href="mailto:customer.serviceDE@palram.com">customer.serviceDE@palram.com</a>

ITALY • NETHERLANDS • PORTUGAL • SPAIN	
	+33-169-791-094
	<a href="mailto:customer.serviceFR@palram.com">customer.serviceFR@palram.com</a>

CANADA	
	905-5646007
	<a href="mailto:sales@footprintproducts.com">sales@footprintproducts.com</a>

FRANCE • BELGIUM	
	+33-169-791-094
	<a href="mailto:customer.serviceFR@palram.com">customer.serviceFR@palram.com</a>

AUSTRIA • LUXEMBURG • LIECHTENSTEIN	
	+49-180-522-8778
	<a href="mailto:customer.serviceDE@palram.com">customer.serviceDE@palram.com</a>

UNITED KINGDOM • IRELAND	
	01302-380775
	<a href="mailto:customer.serviceUK@palram.com">customer.serviceUK@palram.com</a>

ISRAEL	
	04-848-6816
	<a href="mailto:customer.service@palram.com">customer.service@palram.com</a>

AUSTRALIA	
	03-9219-4444
	<a href="mailto:salesvic@palram.com">salesvic@palram.com</a>

NORWAY • SWEDEN • ARGENTINA • GREECE • GREENLAND • ICELAND • ESTONIA • JAPAN • LATVIA • LITHUANIA  
 MAURITIUS • MEXICO • ROMANIA • RUSSIA • TURKEY • UZBEKISTAN • UKRAINE • SWAZILAND • KOREA

	+972-4-848-6816
	<a href="mailto:customer.service@palram.com">customer.service@palram.com</a>



## CUSTOMER SUPPORT



SCAN ME

# WE ARE HERE TO HELP

For general questions: [bit.ly/3kY07dP](https://bit.ly/3kY07dP)

### AUSTRALIA - GREENHOUSES



03-9544-6-999



[info@mazedistribution.com.au](mailto:info@mazedistribution.com.au)

### DENMARK



07-575 42 70



[post@nshnordic.com](mailto:post@nshnordic.com)

### CZECH REPUBLIC



0493-523-523



[servis@garland.cz](mailto:servis@garland.cz)

### CYPRUS



0224-971-13



[alpaco@alpacodomica.com](mailto:alpaco@alpacodomica.com)  
[www.alpacodomica.com](http://www.alpacodomica.com)

### HUNGARY · SLOVAKIA



+420-493-523-523



[servis@garland.cz](mailto:servis@garland.cz)

### SOUTH AFRICA



011-397-7771



[receptionza@palram.com](mailto:receptionza@palram.com)

### NEW ZEALAND



0800 800 880



[customer.service@palram.com](mailto:customer.service@palram.com)

### CROATIA · SLOVENIA



0599-37-057



[info@ms-viscom.com](mailto:info@ms-viscom.com)

### POLAND



Infolinia: 801-011-929  
22-349-93-36



[kontakt@ogrodosfera.pl](mailto:kontakt@ogrodosfera.pl)

### SWITZERLAND



062-287-33-77



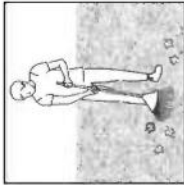
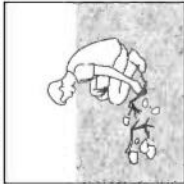
[info@ritter.ch](mailto:info@ritter.ch)

# SITE PREPARATION & FOUNDATION

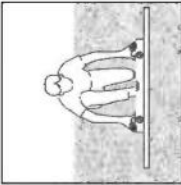
## A - PREPARE THE SITE

The product must be positioned and fixed on a flat level surface.

### 1 - Clear the site



### 2 - Level the ground

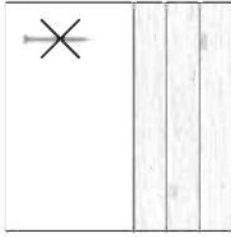
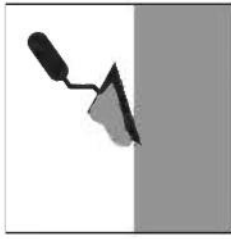


## IMPORTANT

We recommend checking for restrictions or covenants for building this product in your area. In addition we advise to check if you need to submit any forms or if any permit is required prior to building the product.

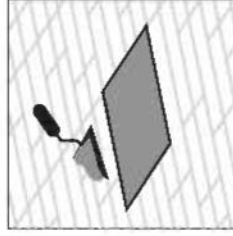
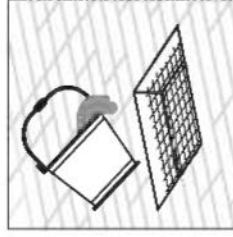
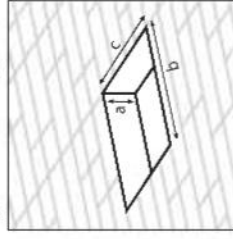
## B - CHOOSE YOUR FOUNDATION TYPE

**Option 1: Concrete / Wooden surface**



The screws and masonry anchors supplied with the kit are suitable for concrete fixing only. Please consult with an expert regarding which fasteners are suitable for other surfaces types (not supplied).

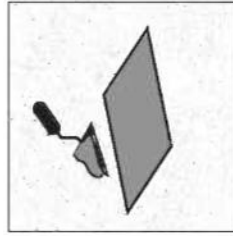
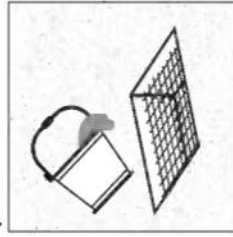
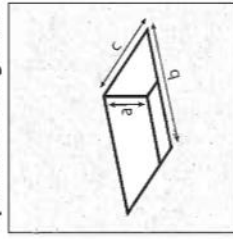
### Option 2: Paving stones



a - 10 cm / 4" | b + c - 40 cm / 14"

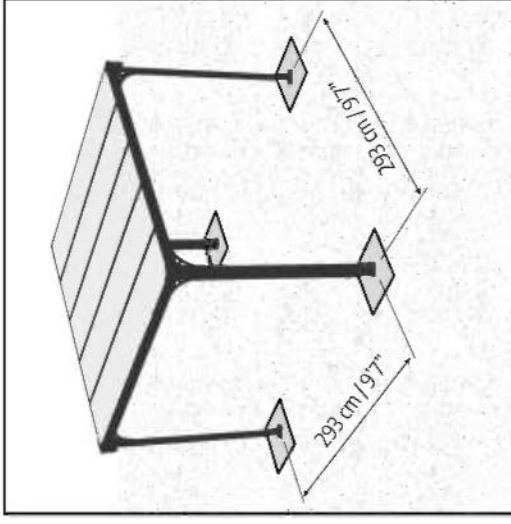
Dig holes into the ground and fill with concrete. For frozen areas, please check the required depth needed for these holes.

### Option 3: Solid ground / Asphalt

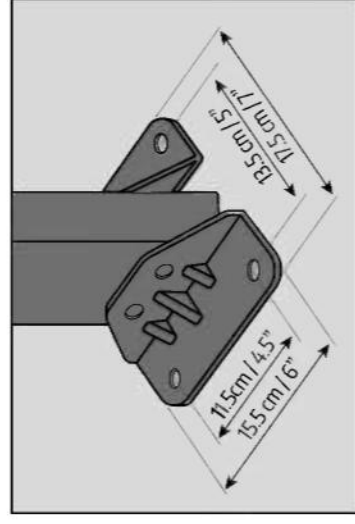


a - 40 cm / 14" | b + c - 40 cm / 14"

## C - DIMENSIONS



The illustration describes center-to-center distance between poles.



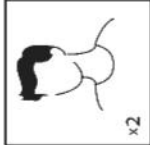









## SAFETY ADVICE

- It is of utmost importance to assemble all of the parts according to the directions. Do not skip any steps.
- Always wear work gloves during panel sliding.
- Always wear shoes and safety goggles when working with extruded aluminium.
- If using a step ladder or power tools make sure that you follow the manufacturer's safety advice.
- Do not touch overhead power cables with the aluminium profiles.
- Do not climb or stand on the roof.
- Do not attempt to assemble the product in windy or wet conditions.
- Dispose of all plastic bags. Keep them out of reach of small children.
- Keep children away from the assembly area.
- Do not lean against or push the products during construction.
- Do not position your product in an area exposed to excessive winds.
- Do not attempt to assemble this product if you are tired, have taken drugs or alcohol or if you are prone to dizzy spells.
- Make sure there are no hidden pipes or cables in the ground before inserting the pegs.
- This product is designed to be used mainly as a gazebo.
- **Make sure to anchor the product directly to a solid foundation to increase the product's stability and wind resistance in areas with severe weather conditions.**

## CARE & MAINTENANCE

- When your product needs to be cleaned, use a mild detergent solution and rinse with cold clean water.
- DO NOT use acetone, abrasive cleaners or other special detergents to clean the panels.
- Clean the product once assembly is complete.

## TOOLS & EQUIPMENT

- |   |  |   |   |   |   |
|---|--|---|---|---|---|
|   | <input type="checkbox"/> 2 people needed |   | <input type="checkbox"/> Spirit Level                                 |     | <input type="checkbox"/> Scissors                       |
|  | <input type="checkbox"/> Ladder          |  | <input type="checkbox"/> Electric Drill With Drill Bit 7 mm   9/32"   |  | <input type="checkbox"/> Cordless Drill - Phillips Head |
|  | <input type="checkbox"/> Silicone        |  | <input type="checkbox"/> Electric Drill With Drill Bit 10 mm   25/64" |  | <input type="checkbox"/> Wrench 13 mm   1/2"            |
|   |  |  | <input type="checkbox"/> Wrench 10 mm   3/8"                          |   |   |






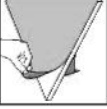




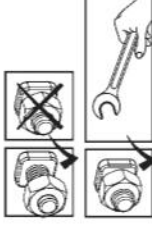
## BEFORE ASSEMBLY

1. Selecting a site:
  - Choose your site carefully before beginning assembly.
  - Choose a sunny position away from overhanging trees.
  - The product must be positioned and fixed on a flat level surface.
2. The product must be secured directly to a solid foundation.
3. This is a multi-part assembly best achieved by two people. Allow at least half a day for the assembly process.
4. Take all components & parts out of the packages. Sort the parts and check against the content parts list.
5. Parts should be laid out close at hand. Keep all small parts (screws etc.) in a bowl so they do not get lost.
6. Please note multi-sided profiles are used in this product. As a result some holes in the profiles are not used during assembly.
7. Please review entire instructions before starting. Carry out the assembly steps in exact order.
8. Please consult your local authorities if any permits are required prior to constructing the product.
9. Please ensure you have sufficient side space for inserting the roof panels during the assembly process.

## IMPORTANT!

- Firmly connect the product to a level surface immediately after completion of the assembly.
- Anchoring this product to the ground is essential to its stability and rigidity. It is required to complete this stage in order for your warranty to be valid.
- During assembly use a soft surface below the parts to avoid scratches and damages.

## DURING ASSEMBLY

- During assembly, you will encounter different icons for different products. Please see below for more information:
    -  During assembly you will encounter the information icon, please refer to the relevant assembly step for additional comments and assistance.
    -  You may use silicone lubricant spray on the frame in order to help you slide the panels into the profiles. Do not spray the panels.
    -  Use a rubber mallet if necessary.
    -  Make sure you remove covering plastic film from both sides of the panel.
    -  All panels with the stamped words "THIS SIDE OUT" must be facing out to create full UV protection. Remove plastic sticker as panels are locked in place.
    -  This icon indicates that the installer should be inside the product.
    -  This icon indicates that the installer should be outside the product.
    -  Steps marked with dashed outlines refer to Extensions only.
    - Some of the steps are irrelevant for an assembly of a single product.
    - When assembling a single or an extended product, some parts may be surplus.
    - These 2 icons below indicate if screw's tightening is required or not.
    - Temporary tightening of a few screws may be needed to prevent a profile from sliding out.
    - Tighten all screws once assembly is completed.
- 



## IMPORTANT ASSEMBLY STEPS

**When encountering this information icon during assembly, please refer to the relevant assembly step for important additional comments.**

### Step 3:

Please note the placement of the short poles.

Optional - if you wish to add Palram - Canopia's Curtains or Netting Set, please thread the plastic clips through the rail in each profile. (Palram - Canopia's Curtains / Netting Set are not supplied).

### Step 4:

Please add silicone on the inner area of part #8327 as illustrated.

### Step 5:

Please make sure the beams are placed correctly in relation to the short poles

### Step 7:

Please make sure you install the panels with the UV protected side out (marked with "THIS SIDE OUT") and remove the sticker as panels are in place.

### Step 12:


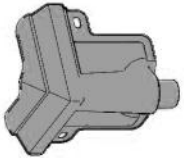
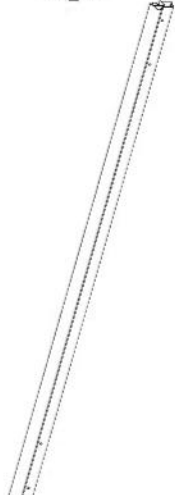
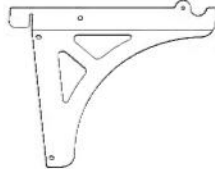

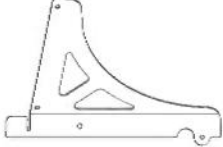





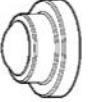










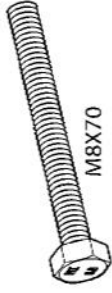
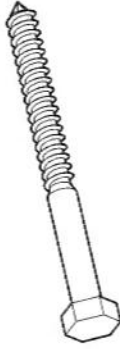
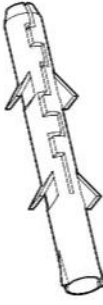


Please drill holes in the panels to be located precisely parallel to the holes in profile #8671.

### Step 13:



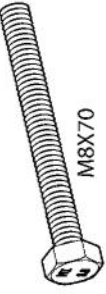




Please level the profile's legs and adapt screws and plugs to your specific ground type. Please note the placement of the product, the short poles and consequently the slope's direction.

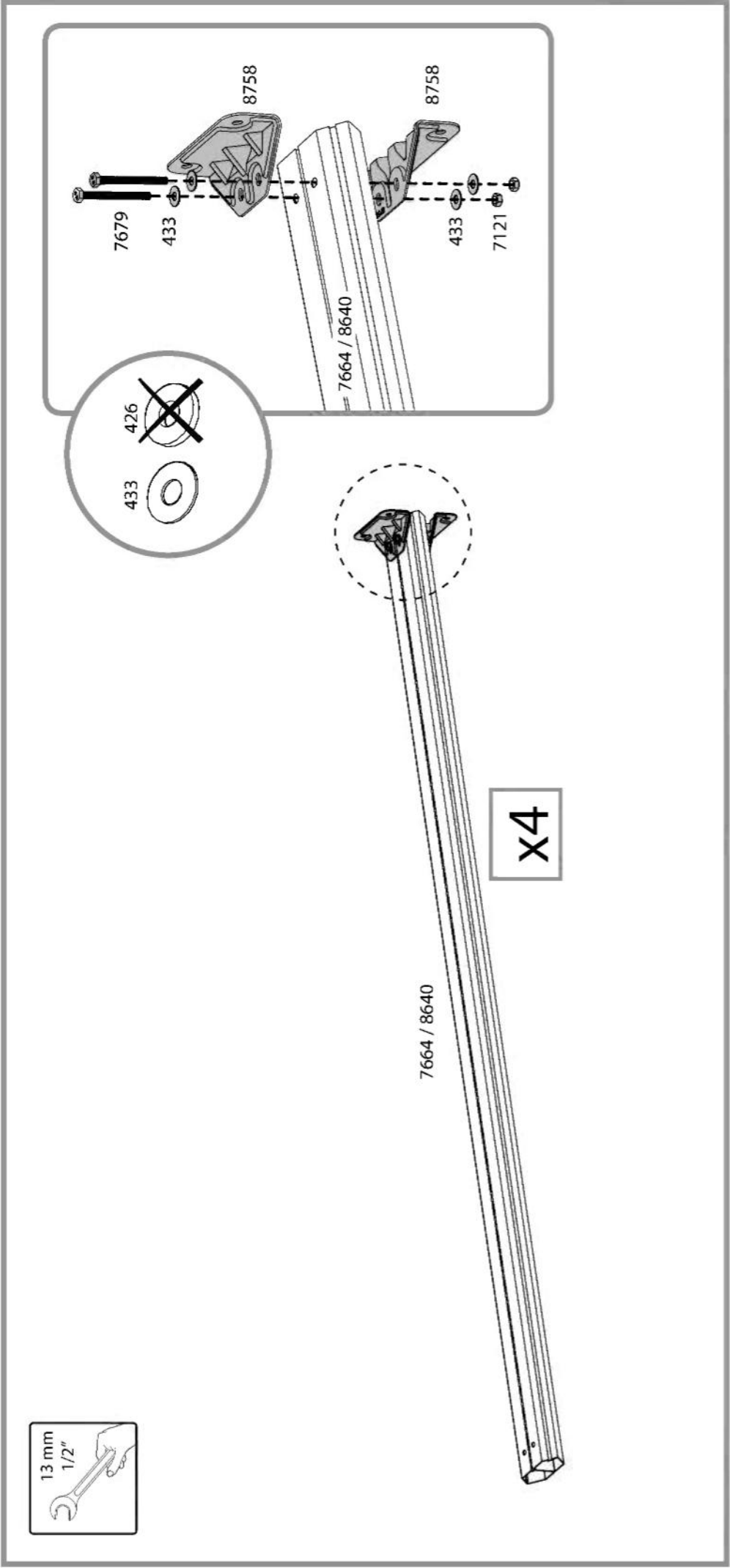


# Contents

Item	Qty.	Item	Qty.	Item	Qty.
7664	2			8327	4
8640	2			8641	4
8639	4			8642	4
8638	4			8758	8
8637	4			7829	88 (+9)
8671	2			5000	72 (+6)
8154	5			5001	32 (+4)
8794	8				
8192	8 (+1)				
411	16 (+2)				
466	32 (+2)				
8674	44 (+4)				
4024	8 (+1)				
7221	8 (+1)				
7119	16 (+1)				
7679	16 (+2)				
4000	16 (+1)				
4010	16 (+1)				
433	80 (+8)				
7121	32 (+3)				

**1**

7664 .....			..... 2		7679 ...	..... 8		433 .....	..... 16
8640 .....		..... 2		8758 .....	..... 8		7121 .....	..... 8	



7664 / 8640

8758

7679

433

426

433

7121

8758

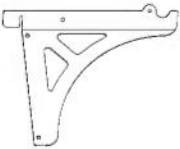
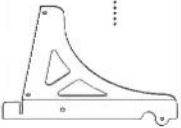
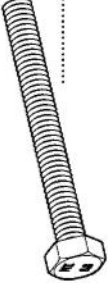



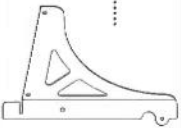
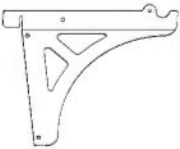




433

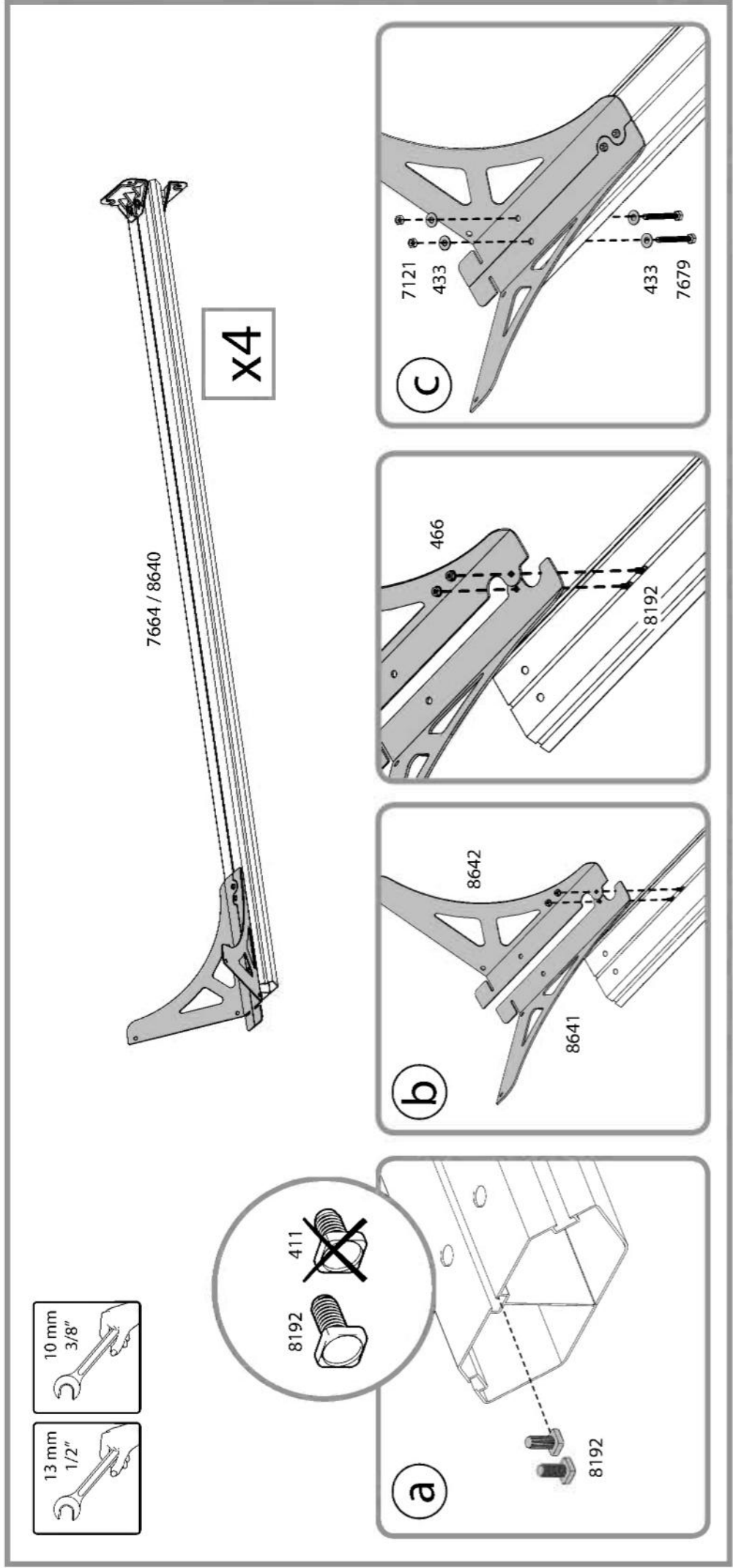
7121

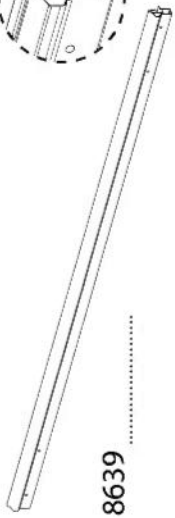





7664 / 8640

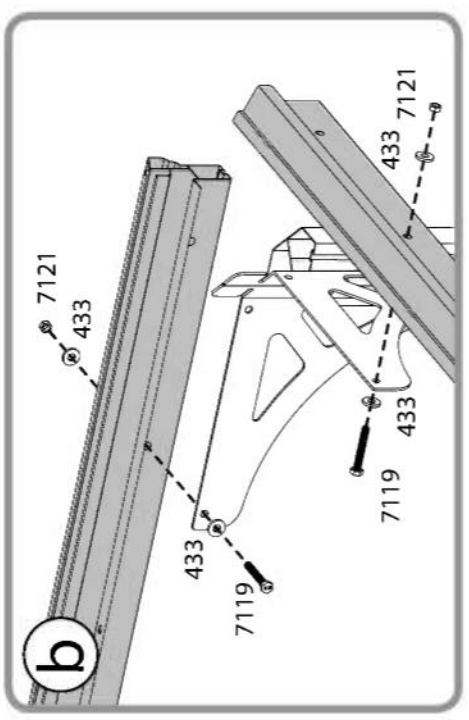
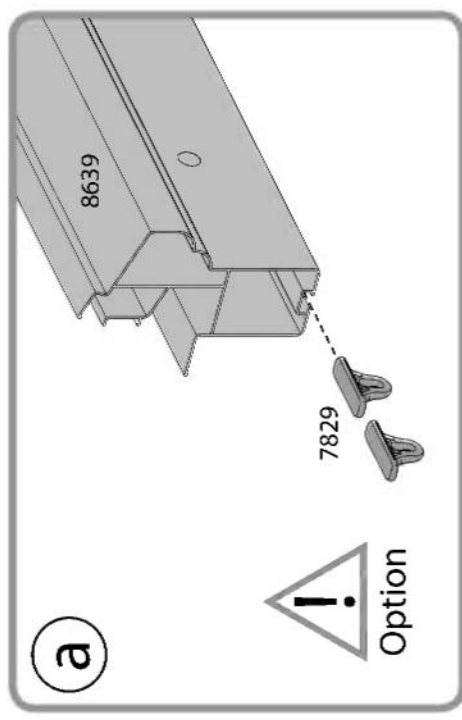
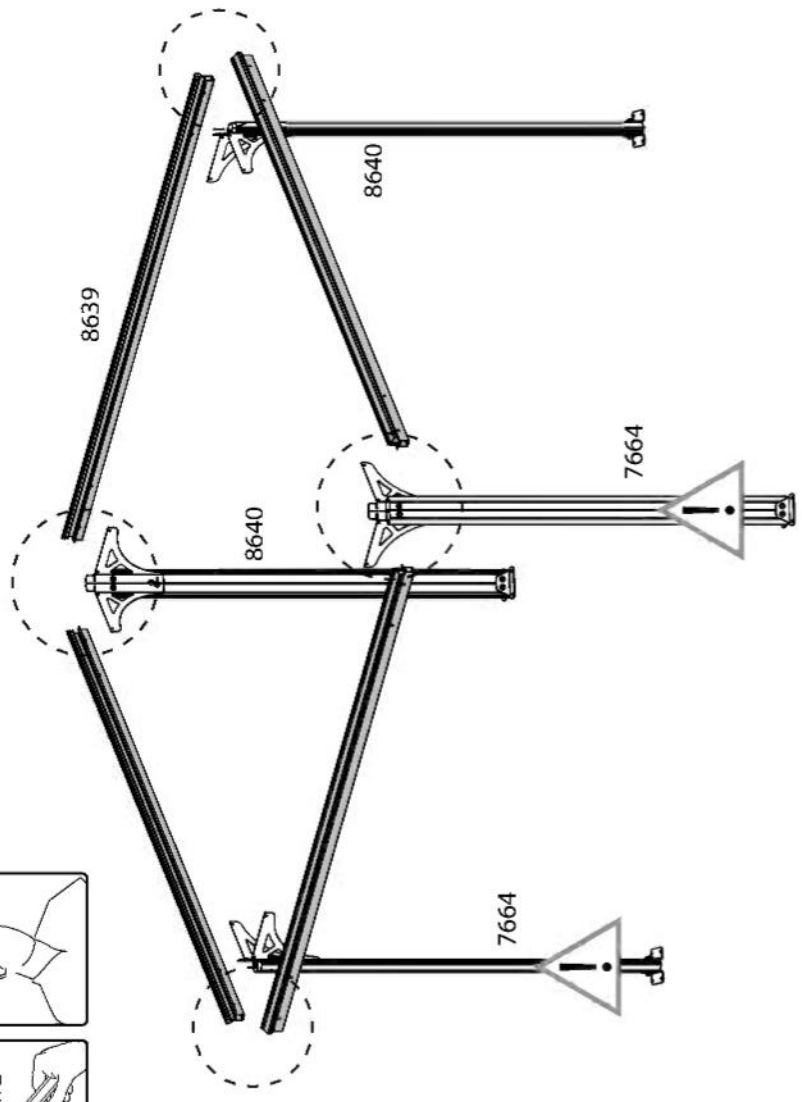
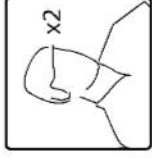
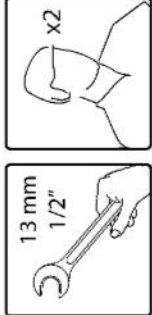
7664 / 8640

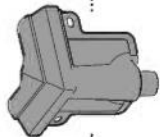



**X4**

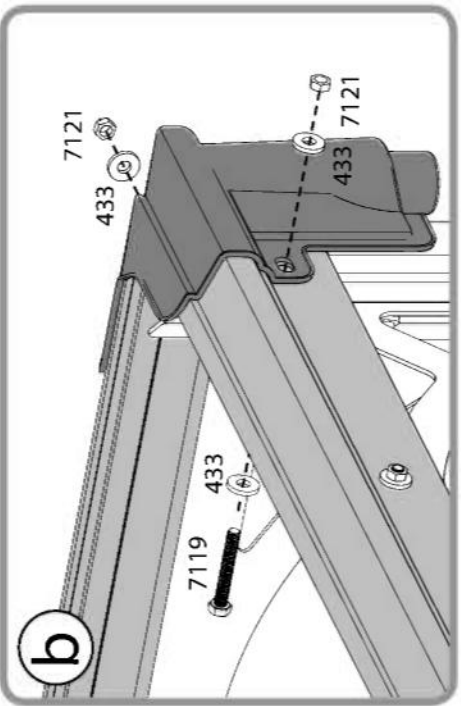
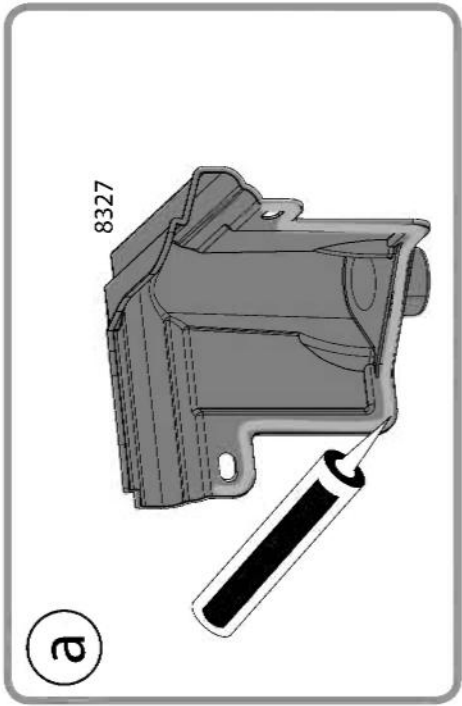
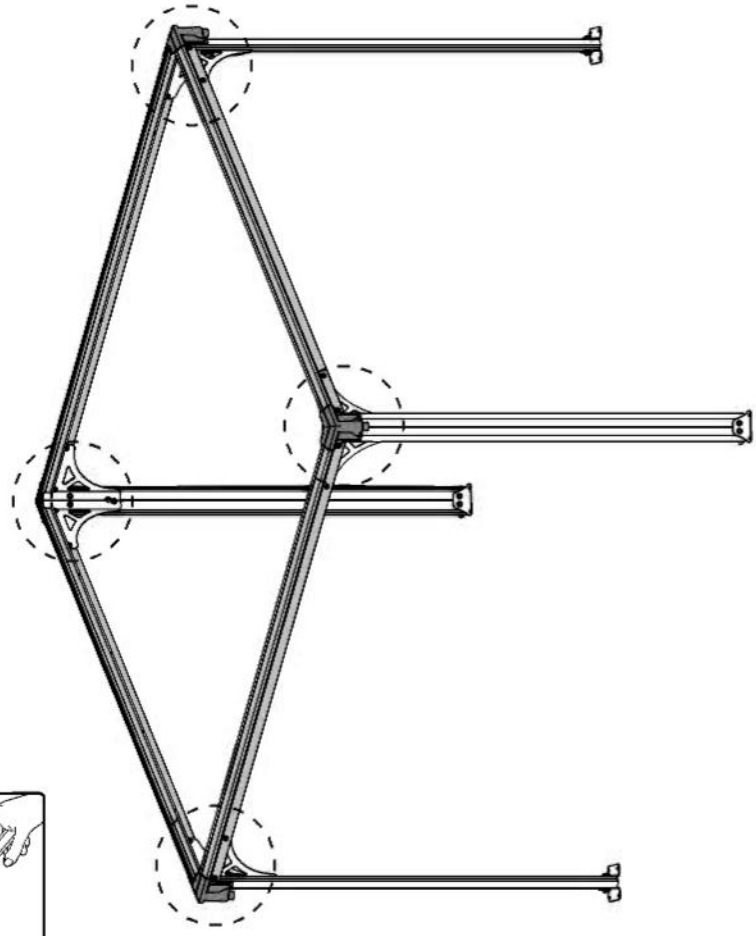
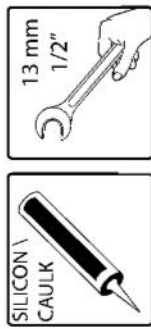
8641 .....	4	7679 .....	8	433 .....	16
					
8642 .....	4	8192 .....	8	7121 .....	8
					



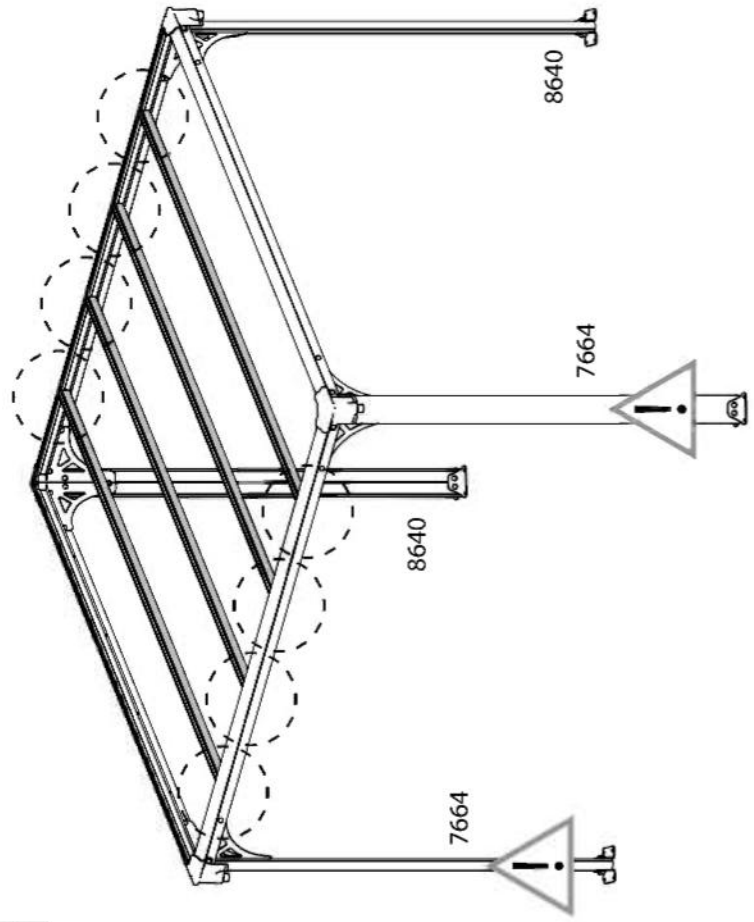
- |   |   |  |   |
|---|---|--|---|
|  |  |   |  |
| 8639 .....  | 4   | 7829 .....   | 433 .....   |
|   |   |  | 16  |
|   |   |  |  |
|   |   | 7119 .....   | 7121 .....  |
|   |   | 8  | 8   |



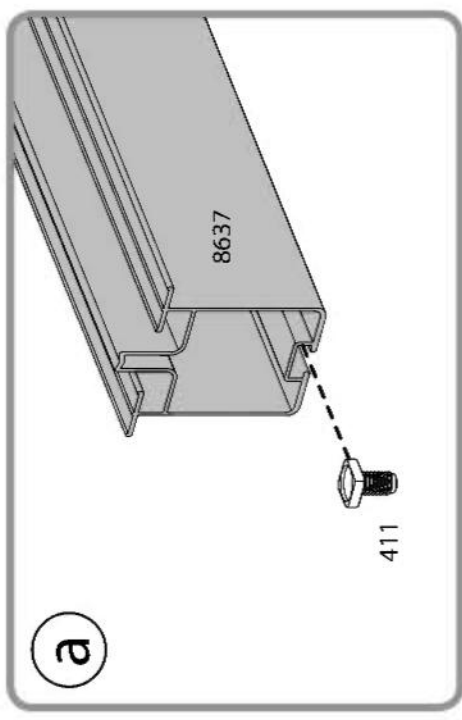
- 8327 ..... 4 
- 7119 ..... 8 
- 433 ..... 16 
- 7121 ..... 8 



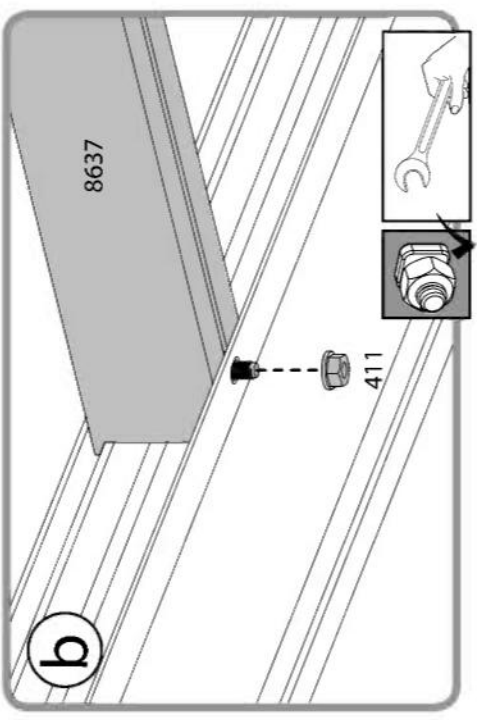
**5** **i**



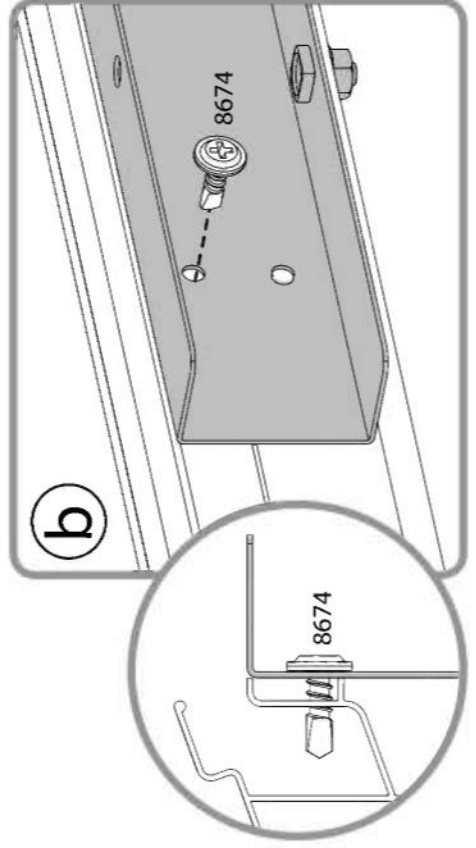
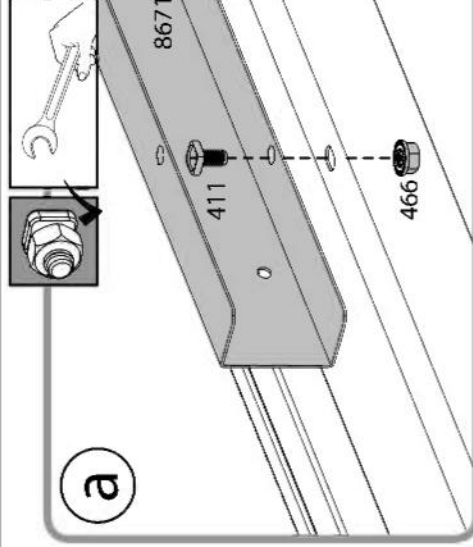
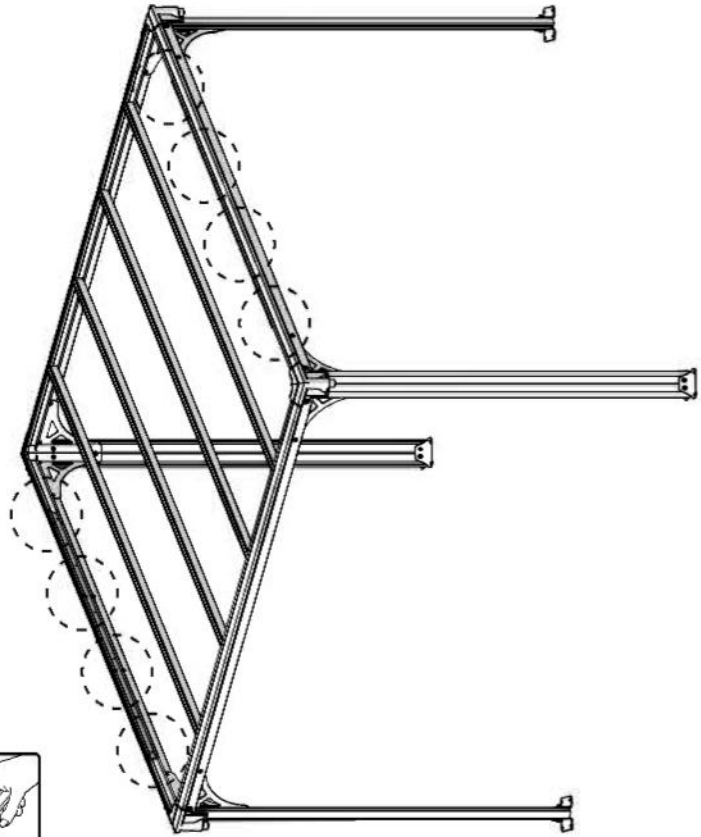
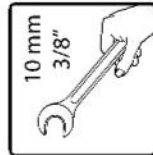
**a**



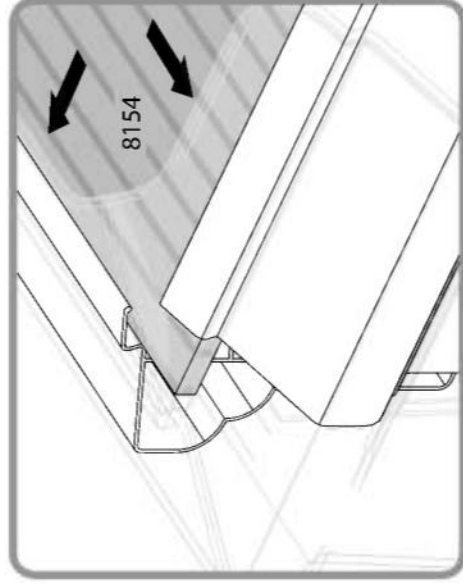
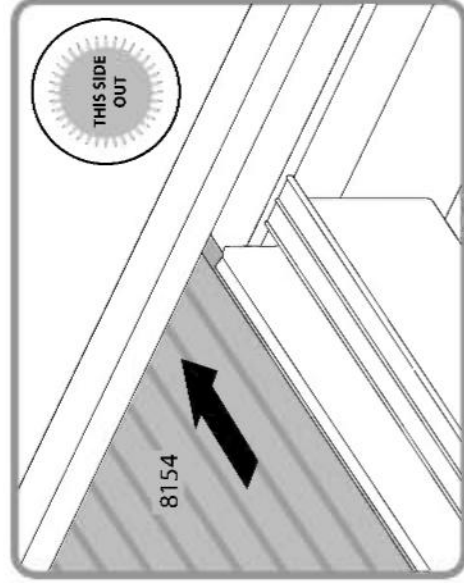
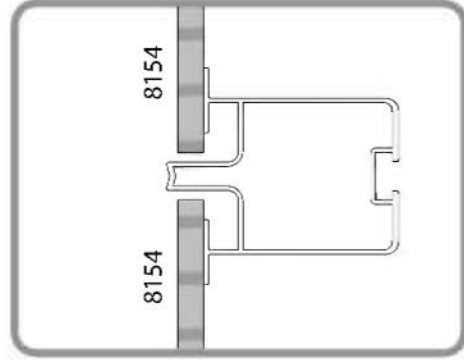
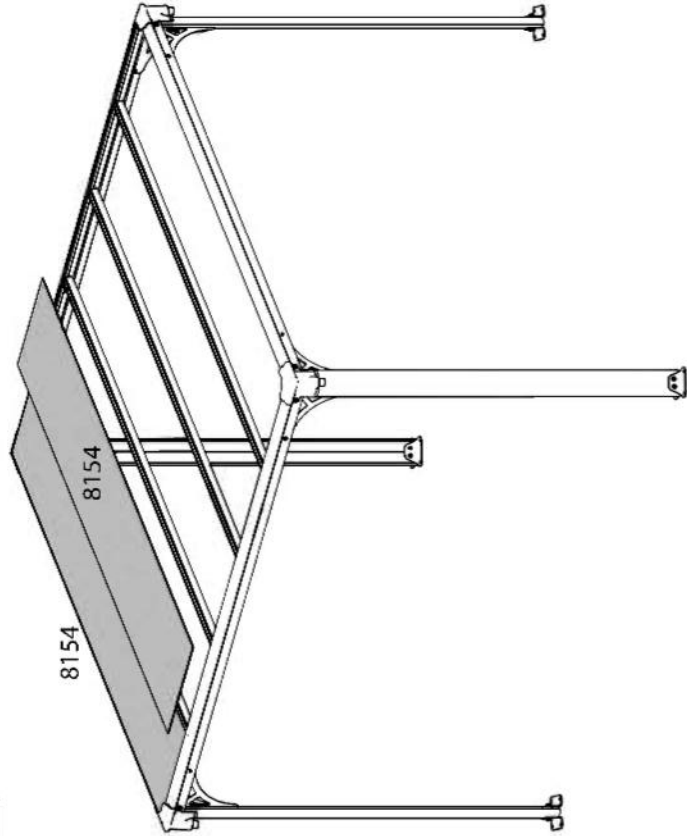
**b**







8154 ..... 2



8638 .....



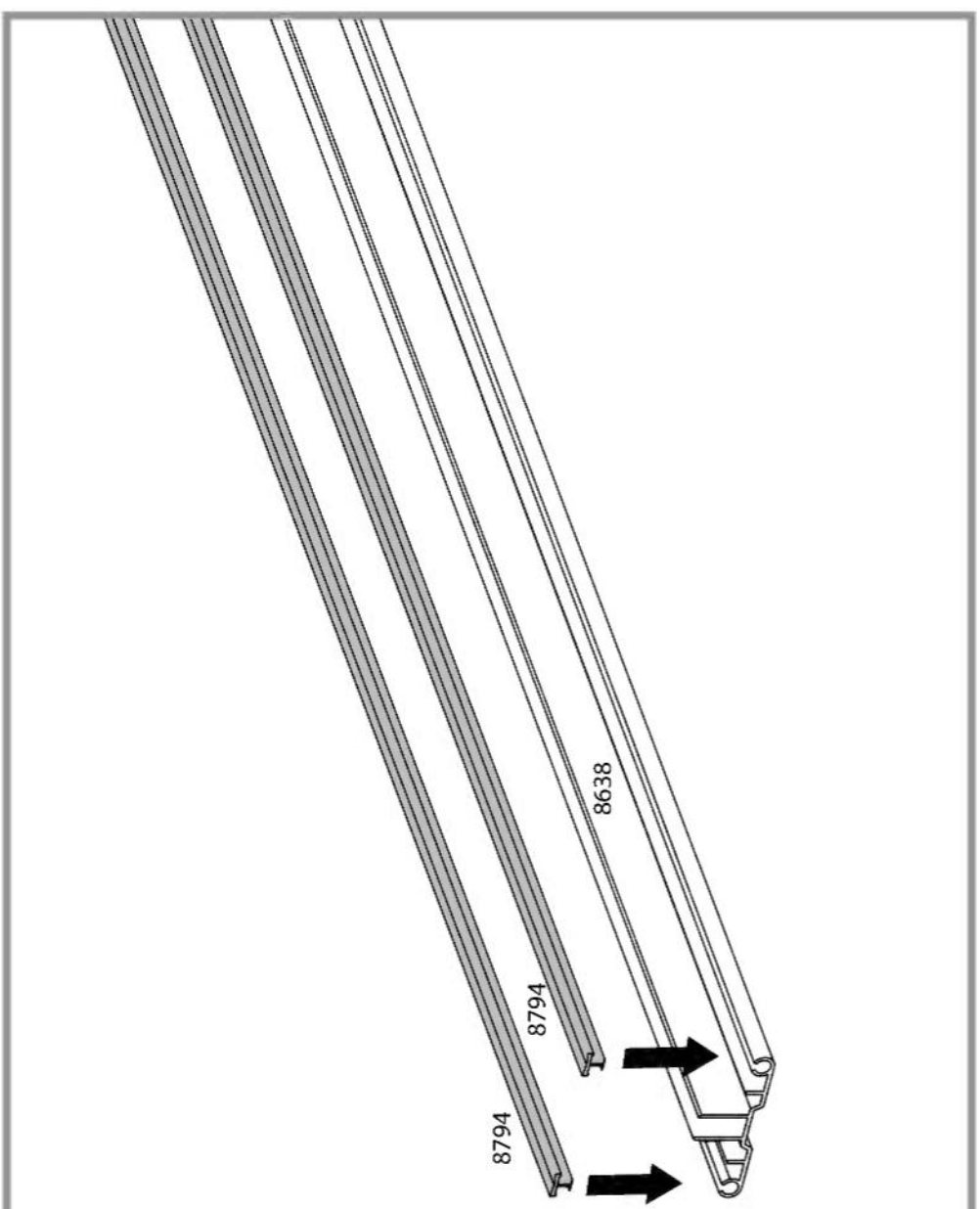
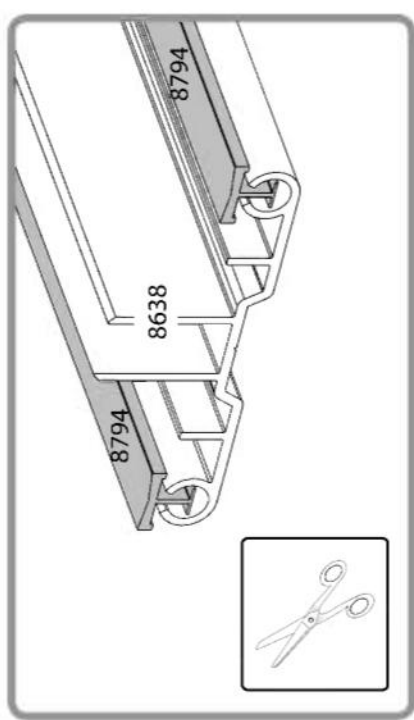
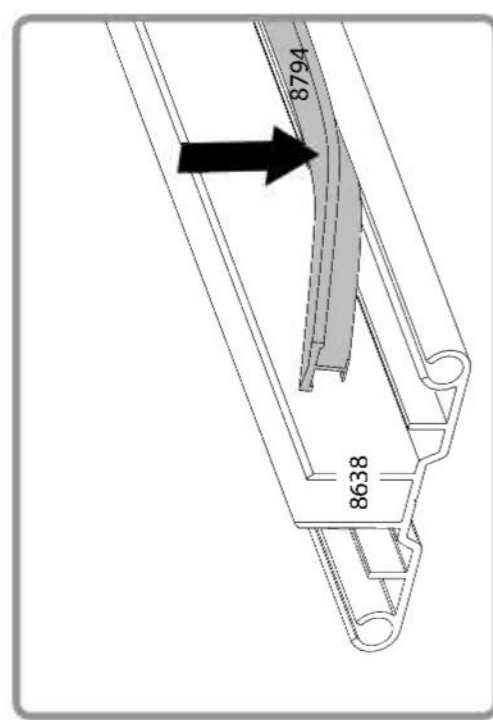
8794 .....



8794 .....



8 .....





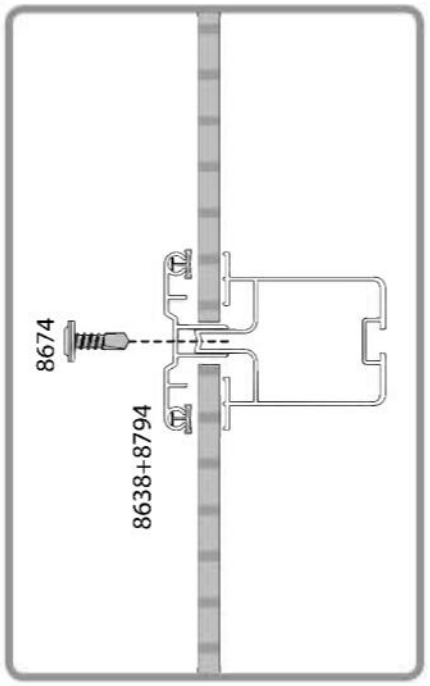
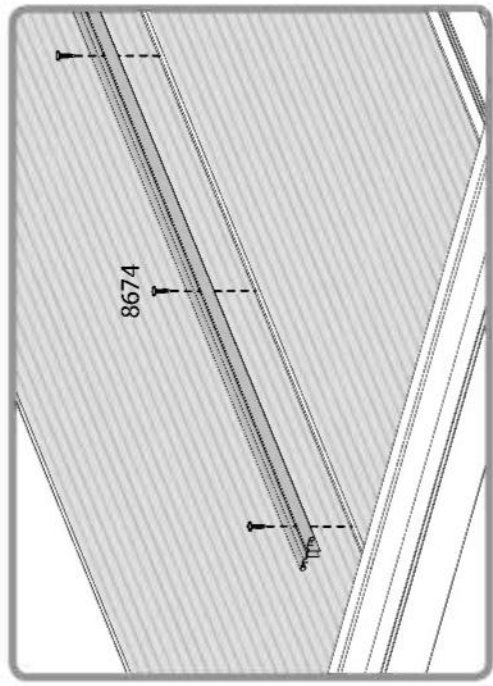
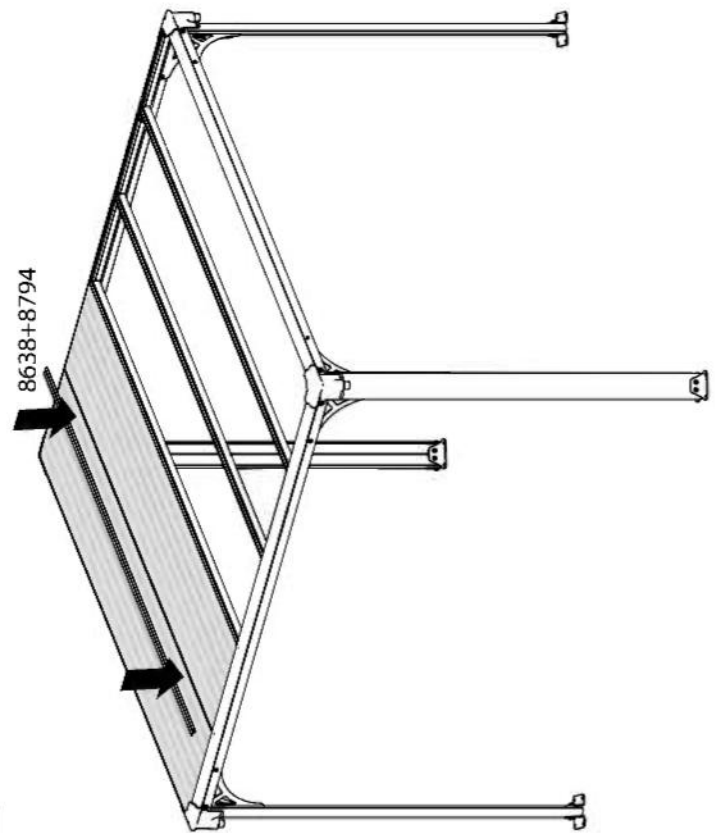
8638+8794.....



..... 1



8674..... 8





8154 .....

..... 1



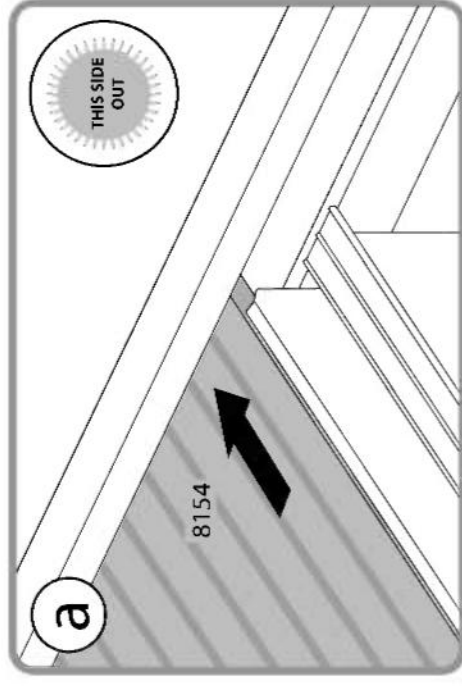
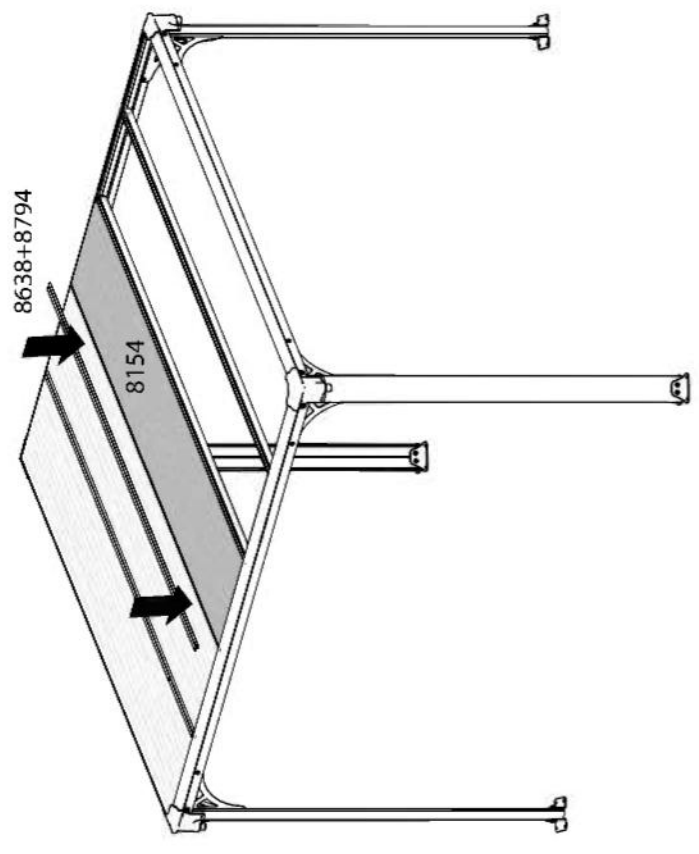
8638+8794 .....

..... 1

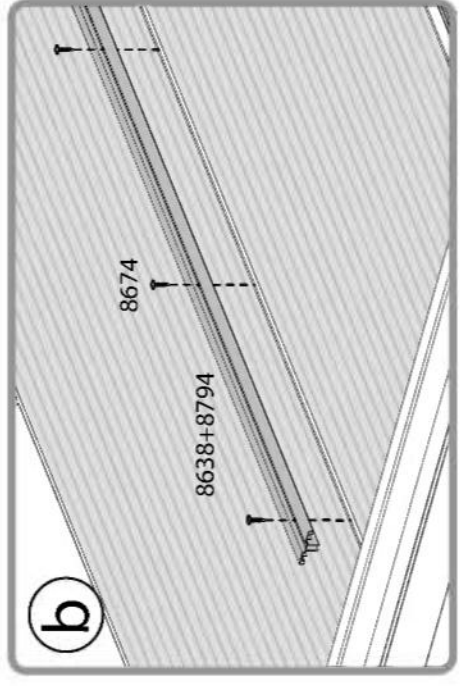


8674 .....

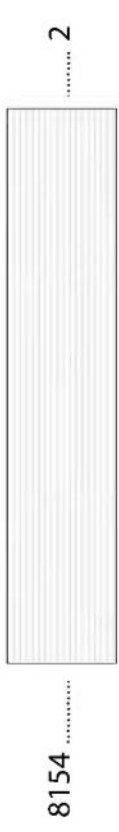
..... 8



(a)



(b)



8154 .....

..... 2



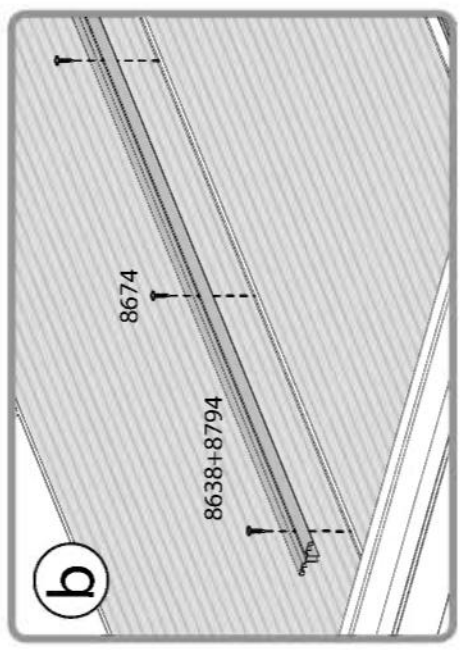
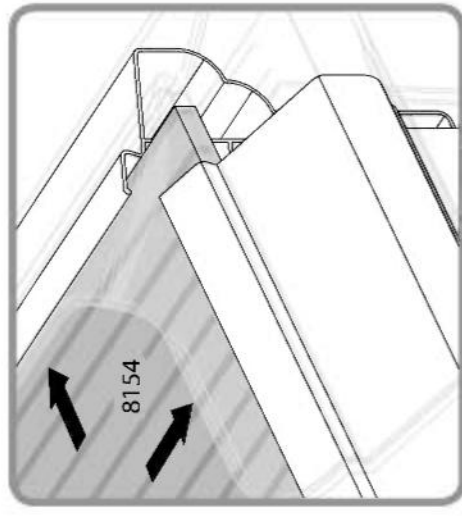
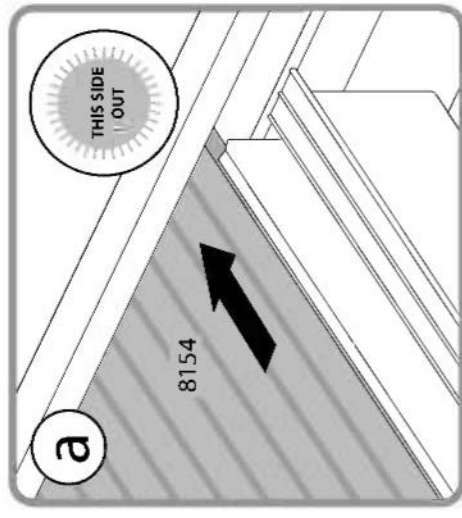
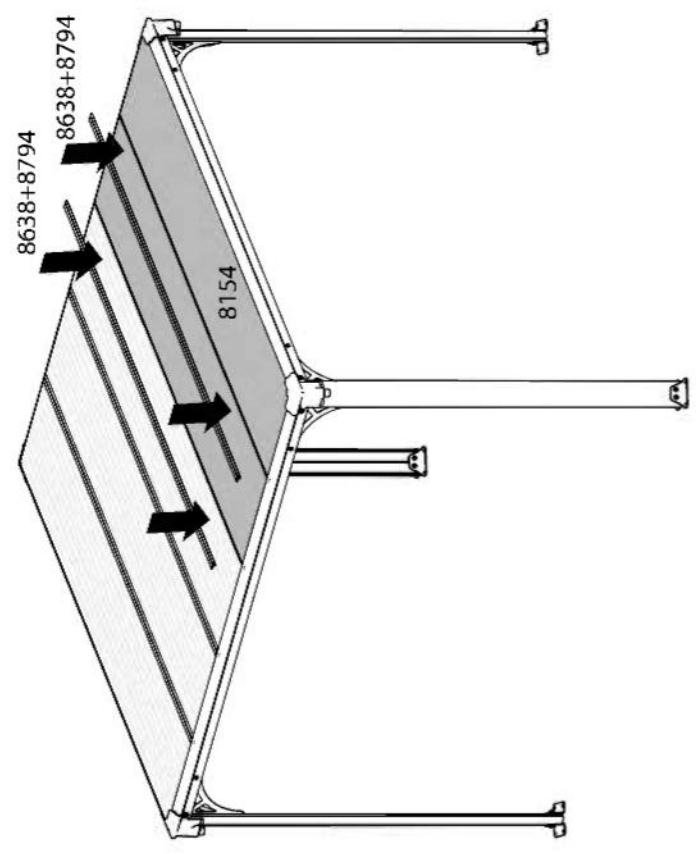
..... 2

8638+8794 .....



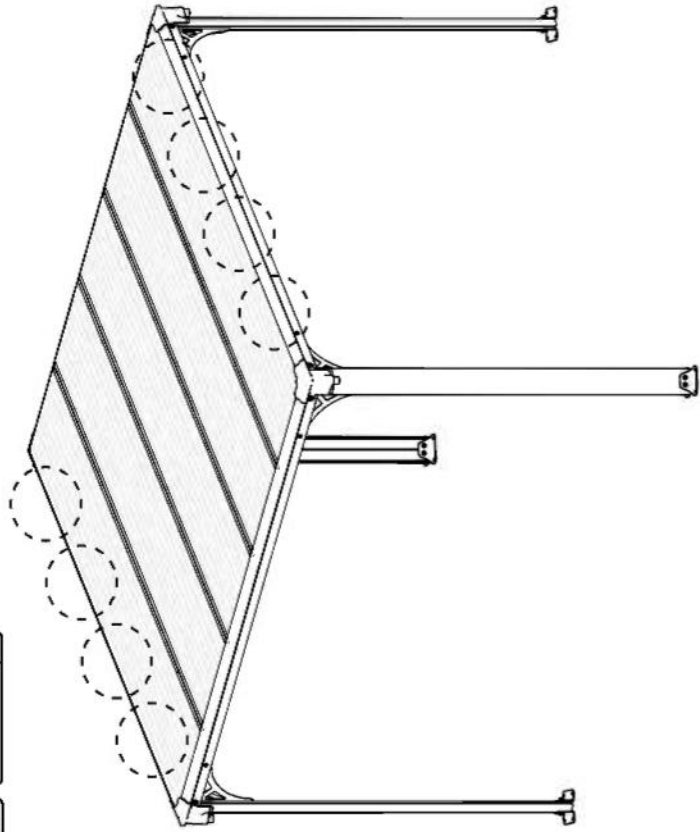
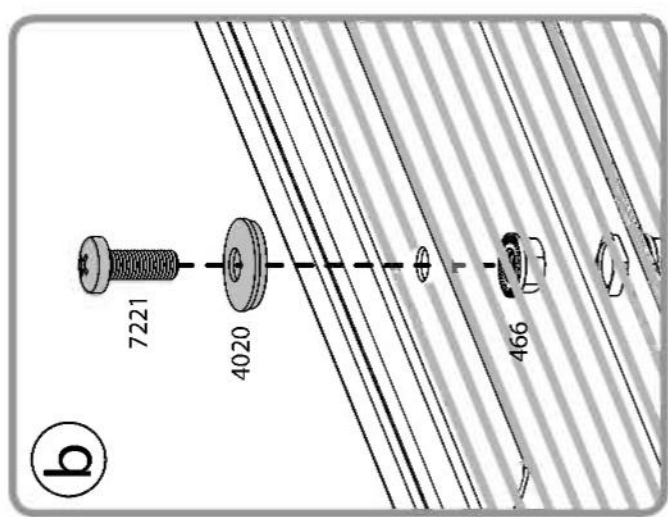
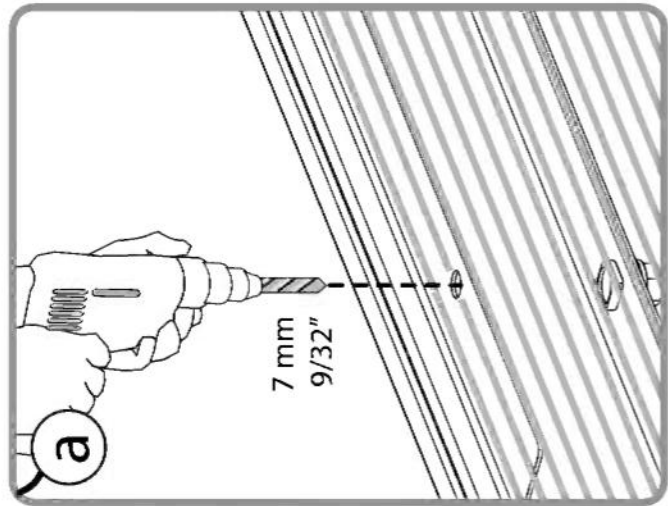
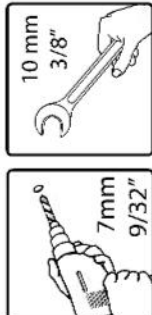
8674 .....





..... 16

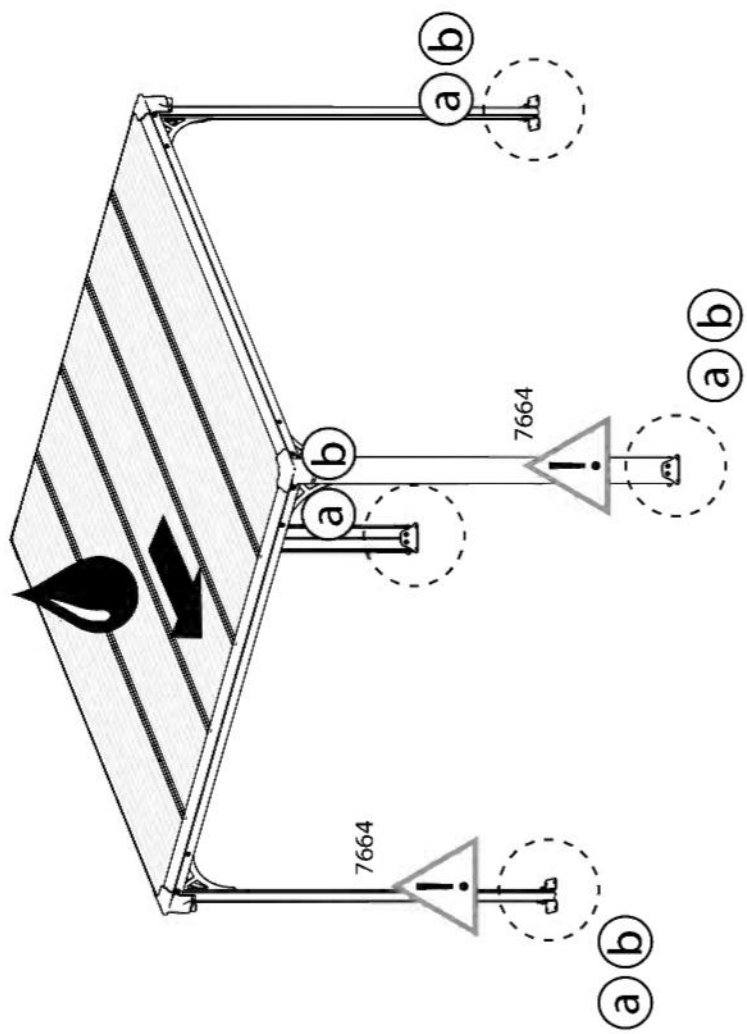
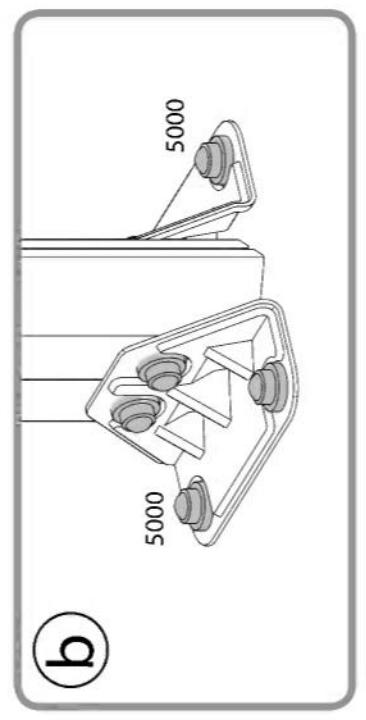
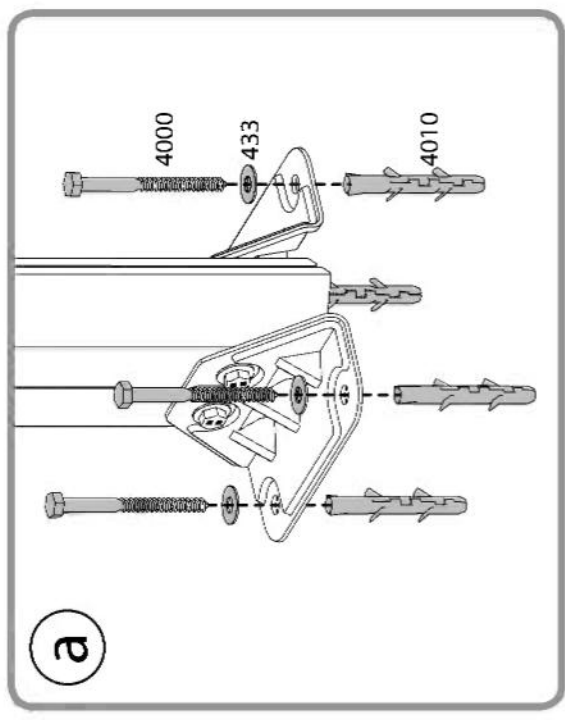
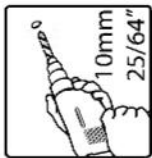
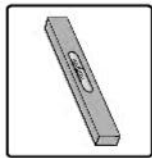
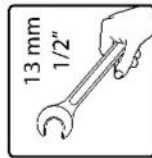




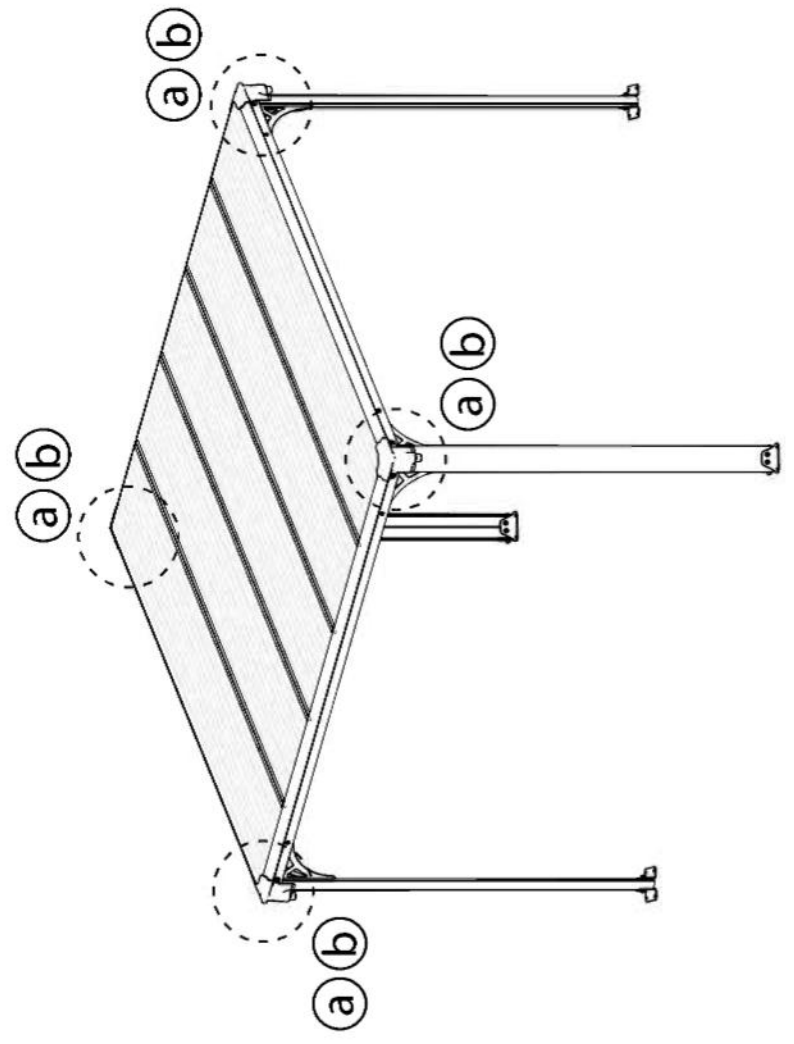
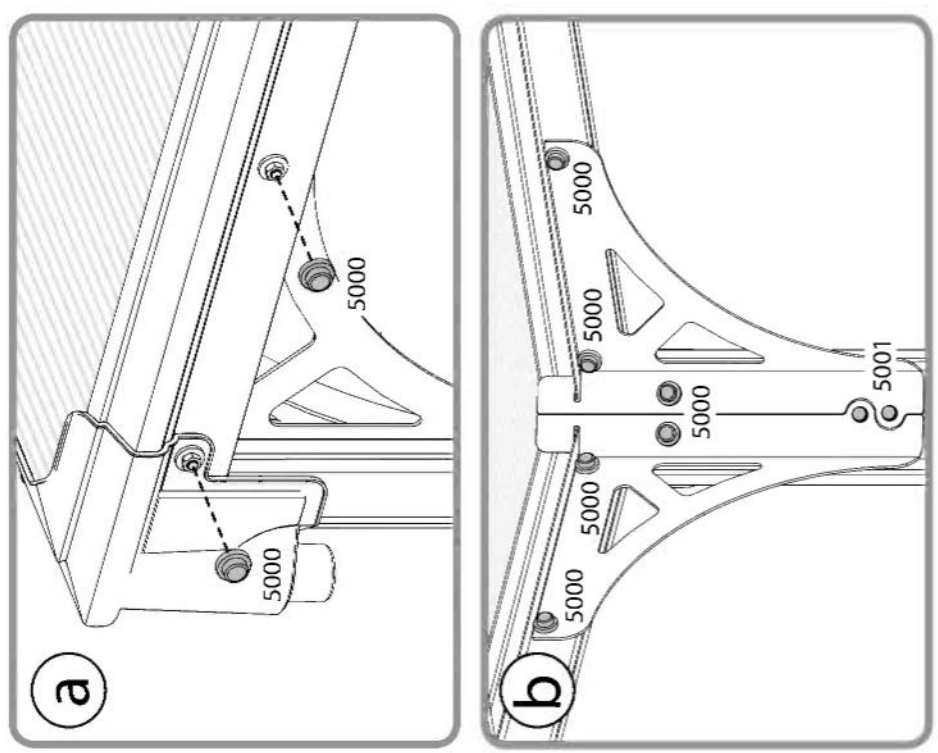
- 4024 ..... 8 
- 466 ..... 8 
- 7221 ..... 8 



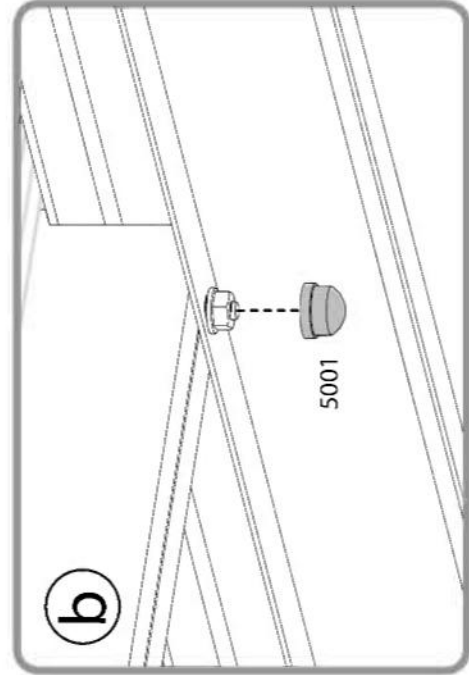
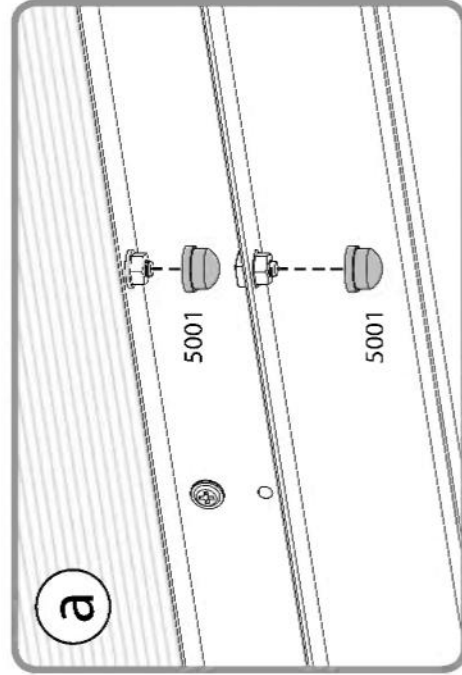
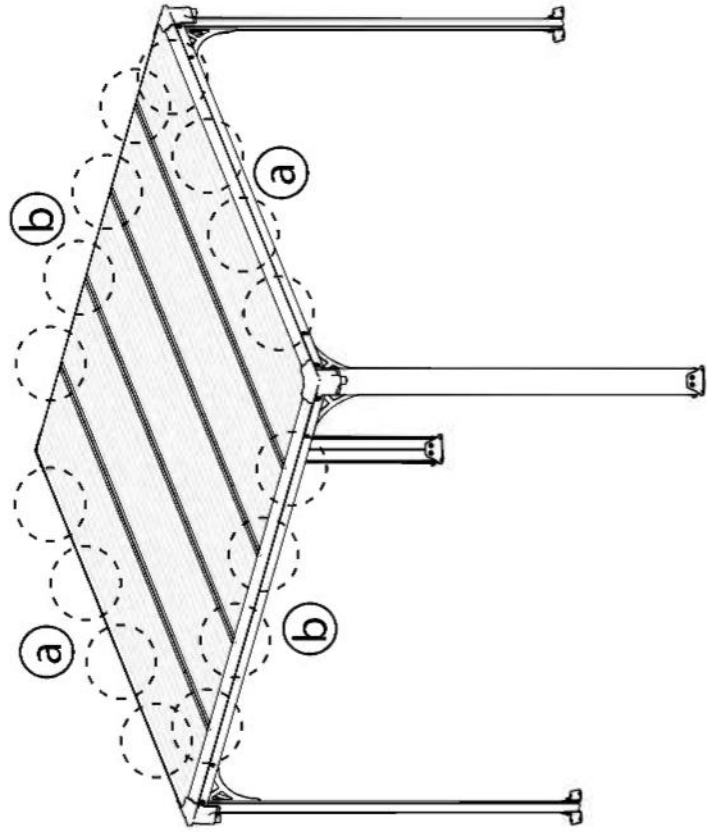
	4000 .....	16		4010 .....	16
	433 .....	16		5000 .....	32



- 5000 ..... 40 .....  ..... 5001 .....  ..... 8



5001 ..... 24



## PALRAM - CANOPIA | 10 years Limited Warranty

### Product Details: Canopia Garden shelters and patio covers

Palram Canopia Ltd (Company number: 5121066824) whose registered office is at Teradon Industrial Park, M.P. Misgav 2074, Israel ("Canopia") warrants that the product will be free from defects in material or workmanship for a period of 10 years from the original date of purchase subject to the definitions, terms and conditions contained in this warranty.

#### 1. Conditions

- 11 This warranty shall be valid only if the product is installed, cleaned, handled and maintained in accordance with Canopia's written recommendations (Recommended User: Hobby Gardening).
- 12 Without derogating from the above, damage caused by use of force, incorrect handling, inappropriate use, neglectful use or assembly or maintenance, accidents, impact from foreign objects, vandalism, alteration, painting, connecting, gluing, sealing not in accordance with the user's manual, or damage resulting from cleaning with incompatible detergents and minor deviations of the product are not covered by this warranty.
- 13 This warranty does not apply to damage resulting from "force majeure", which includes but is not limited to, hail, storm, tornado, hurricane, blizzard, flood, fire effects.
- 14 This warranty is void if structural parts and components used are not compatible with Canopia's written recommendations.
- 15 This Warranty applies only to the original purchaser of the product. It does not extend to any other purchaser or user of the product (including, but not limited to, any person who acquires the product from the original purchaser).
- 16 Any other use for any other purpose is under user's sole responsibility. Canopia disclaims and assumes no liability for any use not recommended by this warranty.

#### 2. Claims and Notifications

- 21 Every warranty claim must be notified in writing to Canopia within 30 days after the discovery of the defective product, enclosing the original sales receipt and this warranty.
- 22 The claimant must allow Canopia to inspect the product involved and the installation site. If itself while the product is still in its original position and has not been removed or altered in any way and/or return the product to Canopia for testing.
- 23 Canopia reserves the right to investigate independently the cause of any failure.

#### 3. Compensation

- 31 If a claim under this Warranty is properly notified and approved by Canopia, the purchaser, at Canopia's option, may either: (a) purchase a replacement product or parts; or (b) receive a refund of the original product or parts purchase price, all in accordance with the following schedule:

Period After Purchasing	Replacement Product or Parts	Refund
From date of purchase up to end of 1 <sup>st</sup> year	Free of charge	100%
End of 1 <sup>st</sup> Year up to end of 2 <sup>nd</sup> year	purchaser will pay 10% of the original purchase price	90%
End of 2 <sup>nd</sup> year up to end of 3 <sup>rd</sup> year	purchaser will pay 20% of the original purchase price	80%
End of 3 <sup>rd</sup> year up to end of 4 <sup>th</sup> year	purchaser will pay 30% of the original purchase price	70%
End of 4 <sup>th</sup> year up to end of 5 <sup>th</sup> year	purchaser will pay 40% of the original purchase price	60%
End of 5 <sup>th</sup> year up to end of 6 <sup>th</sup> year	purchaser will pay 50% of the original purchase price	50%
End of 6 <sup>th</sup> year up to end of 7 <sup>th</sup> year	purchaser will pay 60% of the original purchase price	40%
End of 7 <sup>th</sup> year up to end of 8 <sup>th</sup> year	purchaser will pay 70% of the original purchase price	30%
End of 8 <sup>th</sup> year up to end of 9 <sup>th</sup> year	purchaser will pay 80% of the original purchase price	20%
End of 9 <sup>th</sup> year up to end of 10 <sup>th</sup> year	purchaser will pay 90% of the original purchase price	10%

- 32 For avoidance of any doubt, calculation for determination regarding compensation for defective parts, according to the schedule above, will be based on the contribution of the defective part to the original cost of the product. Canopia reserves the right to provide substitutions if the product or any part of it is unavailable or obsolete.

- 33 This warranty does not cover any costs and expenses of removal and installation of the product or laws or shipping cost or any other direct or indirect loss(es) which may result from the product failure.

#### 4. General Conditions and Limitations

- 41 OTHER THAN HAS BEEN SPECIFICALLY STATED IN THIS WARRANTY, ALL OTHER WARRANTIES, WHETHER EXPRESS OR IMPLIED, INCLUDING ALL IMPLIED WARRANTIES OF MERCHANTABILITY OR FITNESS FOR A PARTICULAR PURPOSE ARE EXCLUDED SO FAR AS THE LAW PERMITS.
- 42 EXCEPT WHERE WE HAVE SPECIFICALLY STATED IN THIS WARRANTY, CANOPIA SHALL NOT BE LIABLE FOR ANY LOSSES OR DAMAGES THE PURCHASER SUFFERS DIRECTLY, INDIRECTLY, OR AS A CONSEQUENCE OF USING, OR IN ANY OTHER WAY CONNECTED TO THE PRODUCT.
- 43 IF CANOPIA IS PROHIBITED UNDER ANY APPLICABLE LAW FROM EXCLUDING THE IMPLIED WARRANTIES OF MERCHANTABILITY OR FITNESS FOR A PARTICULAR PURPOSE IN RELATION TO THE PRODUCT, THE DURATION OF ALL SUCH IMPLIED WARRANTIES IS EXPRESSLY LIMITED TO THE DURATION OF THIS WARRANTY OR, IF LONGER, THE MAXIMUM PERIOD REQUIRED BY APPLICABLE LAW.
- 44 THE PURCHASER IS SOLELY RESPONSIBLE FOR DETERMINING WHETHER THE HANDLING, STORAGE, ASSEMBLY, INSTALLATION OR USE OF THE PRODUCT IS SAFE AND APPROPRIATE IN ANY LOCATION, FOR ANY GIVEN APPLICATION OR IN ANY GIVEN CIRCUMSTANCE. CANOPIA IS NOT RESPONSIBLE FOR ANY DAMAGES OR INJURY TO THE PURCHASER, ANY OTHER PERSON OR ANY PROPERTY RESULTING FROM THE IMPROPER HANDLING, STORAGE, INSTALLATION, ASSEMBLY OR USE OF THE PRODUCT OR THE FAILURE TO FOLLOW THE WRITTEN INSTRUCTIONS REGARDING THE HANDLING, STORAGE, INSTALLATION, ASSEMBLY AND USE OF THE PRODUCT. UNLESS OTHERWISE EXPRESSLY INDICATED BY CANOPIA, THE PRODUCT IS INTENDED FOR NORMAL RESIDENTIAL AND COMMERCIAL USE ONLY. CANOPIA IS NOT RESPONSIBLE FOR ANY LOSS, DAMAGE, COST OR EXPENSE RESULTING FROM ANY USE OF THE PRODUCT FOR ANY PURPOSE THAT IS NOT RECOMMENDED BY THE WRITTEN INSTRUCTIONS OR THAT IS NOT PERMITTED BY ANY APPLICABLE LEGISLATION OR OTHER CODES IN EFFECT IN THE LOCATION WHERE THE PURCHASER WILL USE THE PRODUCT.
- 45 PLEASE NOTE: ANCHORING THIS PRODUCT TO THE GROUND IS ESSENTIAL TO ITS STABILITY AND RIGIDITY. IT IS REQUIRED TO COMPLETE THIS STAGE IN ORDER FOR YOUR WARRANTY TO BE VALID.

## 10 Jahre beschränkte Garantie von PALRAM - CANOPIA

### Angaben zum Produkt: Canopia Garten Überdachungen und Terrassendächer

Palram Canopia Ltd (Firmennummer: 5121066824) mit Sitz in Teradon Industrial Park, M.P. Misgav 2074, Israel ("Canopia") garantiert, dass das Produkt für einen Zeitraum von 10 Jahren ab dem Kaufdatum frei von Mängeln in Material und Verarbeitung wird, und den Definitionen, Begriffen und Bedingungen die in dieser Garantie enthalten sind unterliegt.

#### 1. Bedingungen

- 11 Diese Garantie ist nur gültig, wenn das Produkt in Übereinstimmung mit den schriftlichen Empfehlungen von Canopia installiert, gereinigt, behandelt und gepflegt ist (Empfohlene Verwendung: Hobby Gartnern).
- 12 Ohne Abweichung von oben genannten, Schäden, die durch Anwendung von Gewalt, unsachgemäße Behandlung, unsachgemäße Verwendung, nachlässige Nutzung, Montage oder Wartung, Unfälle, Auswirlungen von Fremdkörpern, Vandalismus, Verschmutzung, Veränderung, Malerei, Verbinden, Kleben und Dichten, nicht in Übereinstimmung mit der Bedienungsanleitung, verursacht werden, oder Schäden, die bei Reinigung mit inkompatiblen Reinigungsmitteln entstehen, so wie geringfügige Abweichungen des Produkts, werden durch diese Garantie nicht abgedeckt.
- 13 Diese Garantie gilt nicht für Schäden, die durch "höhere Gewalt" verursacht werden (beinhalten aber nicht beschränkt auf: Hagel, Sturm, Tornado, Hurrikan, Schneesturm, Überschwemmungen, Feuer Auswirlungen).
- 14 Diese Garantie erlischt, falls Bauteile und Komponenten, die nicht mit den schriftlichen Empfehlungen von Canopia kompatibel sind, verwendet werden.
- 15 Diese Garantie gilt ausschließlich für den ursprünglichen Käufer des Produkts. Sie erweitert sich nicht auf keine anderen Käufer oder Benutzer des Produkts (einschließlich, aber nicht beschränkt auf irgendeine andere Person die das Produkt von den ursprünglichen Käufer erwirbt).
- 16 Jede andere Verwendung, für einen anderen Zweck, liegt in der alleinigen Verantwortung des Benutzers. Canopia lehnt jede Haftung ab, die von dieser Garantie nicht gedeckt wird, bzw. übernimmt keine Haftung dafür.

#### 2. Ansprüche und Mitteilungen

- 21 Jeder Gewährleistungsanspruch muss Canopia innerhalb von 30 Tagen nach Entdeckung des fehlerhaften Produkts schriftlich vorgelegt werden. Hierzu rechnen Sie bitte auch den Original Kaufheft und diese Garantie mit ein.
- 22 Der Antragsteller muss Canopia erlauben den betroffenen Produkt und den Aufstellungsorort selbst zu überprüfen, während das Produkt noch in seiner ursprünglichen Position ist und nicht entfernt oder verschoben oder in irgendeiner Weise verändert wurde, und/oder den Produkt an Canopia zum Testen zu senden.
- 23 Canopia behält sich das Recht vor die Fehlersachen unabhängig zu untersuchen.

#### 3. Entscheidung

- 31 Ist ein Anspruch gemäß dieser Garantie ordnungsgemäß angemeldet und hat Canopia genehmigt worden, kann der Käufer, nach eigenem Ermessen von Canopia, entweder (a) ein Ersatzprodukt oder Teile erwerben; oder (b) eine Erstattung des ursprünglichen Produkts oder Teile Kaufpreises erhalten, alles in Übereinstimmung mit dem folgenden Schema:

Zeitraum nach Erwerbung	Ersatzprodukt bzw. Ersatzteile	Rückerstattung
Ab Kaufdatum bis zum Ende des 1. Jahr	Kostenlos	100%
Ende des 1. Jahr bis zum Ende des 2. Jahr	Käufer zahlt 10% des ursprünglichen Kaufpreises	90%
Ende des 2. Jahr bis zum Ende des 3. Jahr	Käufer zahlt 20% des ursprünglichen Kaufpreises	80%
Ende des 3. Jahr bis zum Ende des 4. Jahr	Käufer zahlt 30% des ursprünglichen Kaufpreises	70%
Ende des 4. Jahr bis zum Ende des 5. Jahr	Käufer zahlt 40% des ursprünglichen Kaufpreises	60%
Ende des 5. Jahr bis zum Ende des 6. Jahr	Käufer zahlt 50% des ursprünglichen Kaufpreises	50%
Ende des 6. Jahr bis zum Ende des 7. Jahr	Käufer zahlt 60% des ursprünglichen Kaufpreises	40%
Ende des 7. Jahr bis zum Ende des 8. Jahr	Käufer zahlt 70% des ursprünglichen Kaufpreises	30%
Ende des 8. Jahr bis zum Ende des 9. Jahr	Käufer zahlt 80% des ursprünglichen Kaufpreises	20%
Ende des 9. Jahr bis zum Ende des 10. Jahr	Käufer zahlt 90% des ursprünglichen Kaufpreises	10%

- 32 Um jegliche Zweifel auszuschließen, wird sich die Berechnung für die Bestimmung über Entschädigungen für defekte Teile, entsprechend der obigen Schema, auf dem Betrag des defekten Teils an den ursprünglichen Kosten des Produktes beruhen. Canopia behält sich das Recht vor für ein Ersatz zu sorgen, falls der Produkt oder ein Teil davon nicht verfügbar oder veraltet ist.

- 33 Diese Garantie erstreckt sich nicht auf Kosten und Ausgaben für Aus- und Einbau des Produkts oder Steuern oder sonstige direkte oder indirekte Verluste, die sich von einem Produktfehler ergeben können.

#### 4. Allgemeine Bedingungen und Einschränkungen

- 41 ANDERS ALS BESONDERS IN DIESER GARANTIE ANGEBOGEN, ALLE ANDEREN GARANTIE, OB AUSDRÜCKLICH ODER IMPLIZIT, EINSCHLIESSLICH ALLER ANGESCHLOSSENEN GARANTIELEISTUNGEN DER MARKTGÄNGIGKEIT ODER EIGNUNG FÜR EINEN BESTIMMTEN ZWECK SIND SO WEIT DIES RECHTLICH MÖGLICH IST AUSGESCHLOSSEN.
- 42 AUSSER ALS AUSDRÜCKLICH IN DIESER GARANTIE ANGEBOGEN, HÄLTET CANOPIA NICHT FÜR IRGENDWELCHE VERLUSTE ODER SCHÄDEN DIE DER KÄUFER, DIREKT ODER INDIREKT ODER ALS FOLGE DER NUTZUNG ODER IN IRGENDWELCHEN ANDEREN MIT DEM PRODUKT VERBUNDENEN WIEBELIED.
- 43 FALLS CANOPIA EIN AUSSCHLUSS DER STILLSCHWENKENDEN GARANTIE DER MARKTGÄNGIGKEIT ODER EIGNUNG FÜR EINEN BESTIMMTEN ZWECK IN BEZUG AUF BESCHADIGT ODER FALLS LÄNGER, RECHT NICHT GESTATET IST, WIRD DIE DAUER ALLER SOLCHER GARANTIE AUSDRÜCKLICH AUF DIE DAUER DIESER GARANTIE DER KÄUFER IST ALLEIN DAFÜR VERANTWORTLICH FESTZUSTELLEN, OB DIE HANDHABUNG, LAGERUNG, MONTAGE, INSTALLATION ODER VERWENDUNG DES PRODUKTS AN BELIEBIGEN STANDORT UND FÜR JEDE GEEBENE ANWENDUNG ODER SITUATION, SICHER UND ANGEWESEN IST. CANOPIA IST NICHT VERANTWORTLICH FÜR SCHÄDEN ODER VERLETZUNGEN DES KÄUFERS, ANDERER PERSONEN ODER DES EIGENTUMS, DIE IN FOLGE EINER UNSACHGEMÄSSEN HANDHABUNG, LAGERUNG, EINBAU, MONTAGE ODER NUTZUNG DES PRODUKTES ENTSTANDEN SIND.
- 44 DIE WARE IST BESTIMMT AUSSCHLIESSLICH ZUR NORMALEN PERSÖNLICHEN UND KOMMERZIELLEN NUTZUNG, SOFERN NICHT AUSDRÜCKLICH ETWAS ANDERES DURCH CANOPIA VERBÄHRT WURDE. CANOPIA HÄLT NICHT FÜR VERLUSTE, SCHÄDEN, KOSTEN ODER AUSGABEN, DIE AUS EINER NICHT VON DEN ANWESENDEN EMPFOHLENEN VERWENDUNG DES PRODUKTS ZU IRGENDWELCHEN ZWECK ENTSTEHEN ODER DIE VON KEINEM GELTENDEN RECHTSVORSCHRIFTEN ODER ANDEREN CODES ERLAUBT SIND DIE AN DEM ORT WO DER KÄUFER DEN PRODUKT BENUTZEN WIRD IN KRAFT SIND.
- 45 DIE VERANKEERUNG DIESER PRODUKTS IM UNTERGRUND IST WESENTLICH KR SEINE STABILITÄT UND FESTIGKEIT. SIE IST UNABBLASSLICH, URN DISEN ARBEITSSCHRITT ZU BEENDEN, DAMIT IHRE GARANTIE GÜLTIG BLEIBT.

## Declaration of Performance

According to Construction Products Council Directive UE N°305/2011 and EN 14963:2006  
Issue Date 01/01/2022

1. Identification code: **Milano™, refer to CE label no 042**
2. Type: A light transmitting self-supporting Twin-wall PC roofing structure with upstand made of aluminum and galvanized steel elements
3. Intended use: open multi-purpose covering where the ground slope is less than 5%
4. Manufacturer: Palram Canopia Ltd. Teradion Industrial Park, M.P Misgav 2017400, P.O.B. 53, Israel
5. Importer and EU representative : PALRAM Applications UK, Unit 40 J3 Industrial Estate Carr Hill, Doncaster DN4 8DE
6. Assessment and verification of constancy of performance: System 3
7. Declared performance:

Resistance to upward load: UL 600

Resistance to downward loads: DL 750

Reaction to fire: B, s1, d0

For mounting and fixing provisions see EN 16153:2013

Resistance to fire: NPD

External fire performance: FROOF

Water tightness:

For the rooflight with upstand: Pass

For the sheet material: Pass

Impact resistance:

For the small hard body: Pass

For the large soft body: NPD

Thermal transmittance:

For the rooflight: NPD (not relevant to an open multi purpose cover)

For the sheet material: 3.60 W/(m<sup>2</sup>·K)

Direct airborne sound insulation: NPD (not relevant to an open multi purpose cover)

Radiation transmittance:

- Light transmittance: Tv - 41.46%

- Solar direct transmittance: Te - 43.6%

- Solar factor: g value - 0.58

Air permeability:

For the rooflight: NPD (not relevant to an open multi purpose cover)

For the sheet material: Pass

Durability (of the sheet material): ΔA, Cu 1, Ku 1

The performance of the product identified in points 1 and 2 is in conformity with the declared performance in point 7.

This declaration of performance is issued, in accordance with Annex ZA.2.2 – EN 14963:2006,

under the sole responsibility of Palram Canopia Ltd.

ITT reports and Factory Production Control records are available upon request at [www.canopia.com](http://www.canopia.com)

Signed for and behalf of Palram Canopia Ltd. by:

Teradion Industrial Park, Misgav, 01/01/2022

