



# Assembly Instructions **Miami 3 Seater Swing**

Code: 15216

v9



(W x D x H): 2.20m x 1.62m x 1.80m



## **ONLINE ASSEMBLY VIDEO AVAILABLE**

Please scan the QR code or visit [zestoutdoorlivingsupport.co.uk/assembly-search/](http://zestoutdoorlivingsupport.co.uk/assembly-search/)



**PLEASE KEEP THESE INSTRUCTIONS**



# Every Zest product is unique because each piece of timber has its own distinctive, natural features.

Zest sources all of its timber from responsibly-managed forests and everything it designs and produces meets the highest standards of sustainability. Zest ensures that all timber and timber-related products are certified to Forestry Stewardship Council (FSC®).

This is vital not only for the health of the planet, but also shows Zest's commitment to the environment and to responsible sourcing. Timber is a natural material and, as such, will fit beautifully within any outdoor space. This also means that all Zest pieces are unique because every piece of timber has its own distinctive features.



## Natural and Unique...

Changes in temperature and humidity will cause expansion and contraction so Zest products need time to adjust to where the owners live. A few splits or cracks are part of the maturing process and will not affect strength or durability. Knots embedded in the wood are natural and tell the story of the tree which made them. Customers may notice variations in colour but, once out in the garden and exposed to the sun, colour and shading will even out.

Most Zest products are pressure treated which protects the timber from rot and means customers will be able to enjoy the products in their garden for many years.

Fresh pressure treatment sometimes leads to a small amount of green-spotting on the surface of new timber as the natural salt leaves the wood. This will fade away over time and is in no way detrimental to quality or durability.

Splits and cracks occur naturally in the timber grain due to changing temperatures and humidity levels. They are not usually a cause for concern as they don't affect the strength or durability of the product. If however, a 2p coin can fit into the split or crack there may be an issue so it should be reported to the retailer in writing with photographic evidence.

### The benefits of slow grown timber

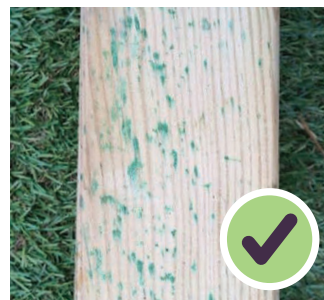
“ Slow grown timber from Eastern Europe is ideal for timber garden furniture. It produces a stronger grain in the wood giving it more durability and is said to be as strong as some hard woods. ”



Normal splits are characteristics of timber.



Knots are characteristics of timber.



Sun Bleaching & Green Spotting are not causes for concern and they will fade over time when items are placed outdoors.



Should you find a large split or dead knot, please email a photo to your retailer for investigation.

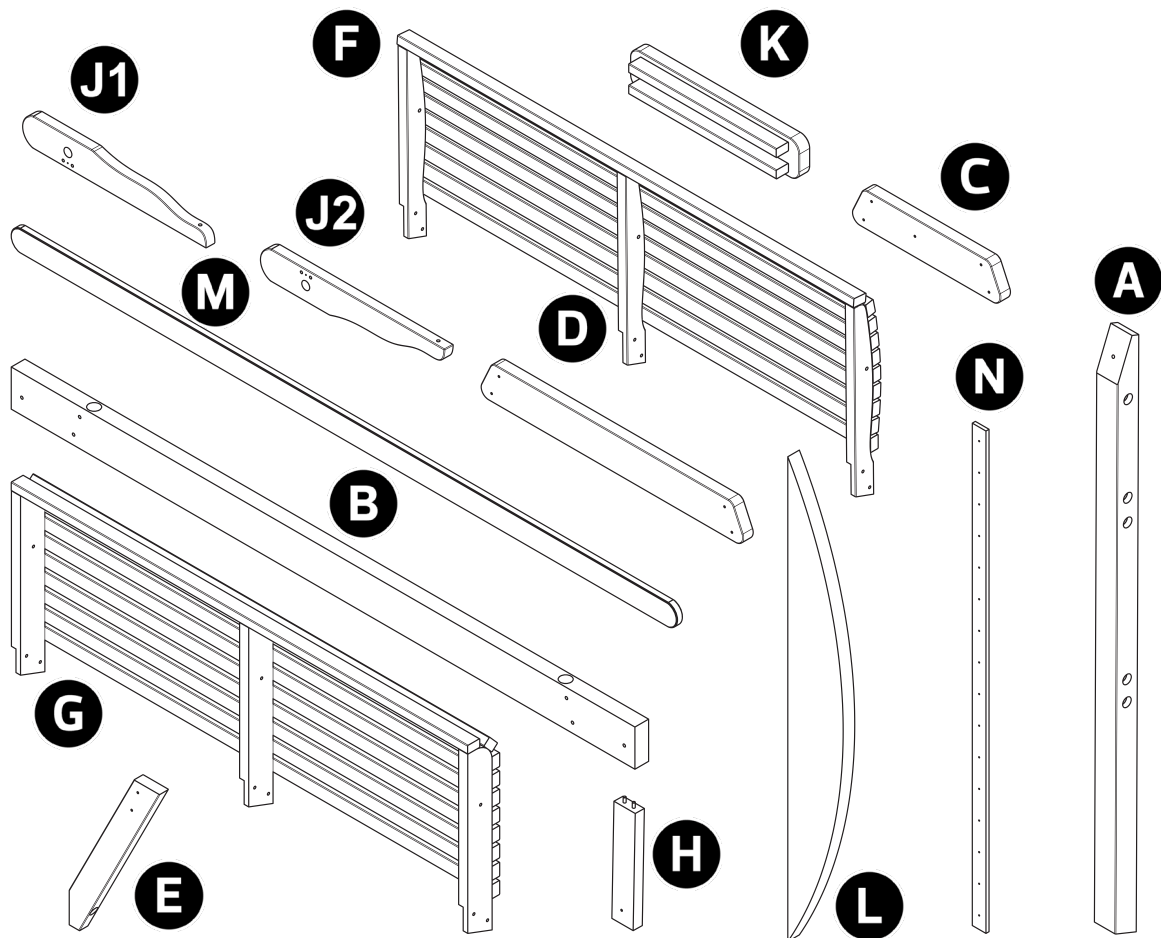
# Miami 3 Seater Swing Assembly Instructions

Requires 2 person assembly

Tools required: 13mm & 19mm Sockets & Ratchet, Corded/ Cordless Drill as all screw holes need to be pre-drilled, \*Pozi-drive Bit (\*Crosshead), Pozi-drive Screwdriver, Mallet.

**Please take a few moments to check all pack contents listed**

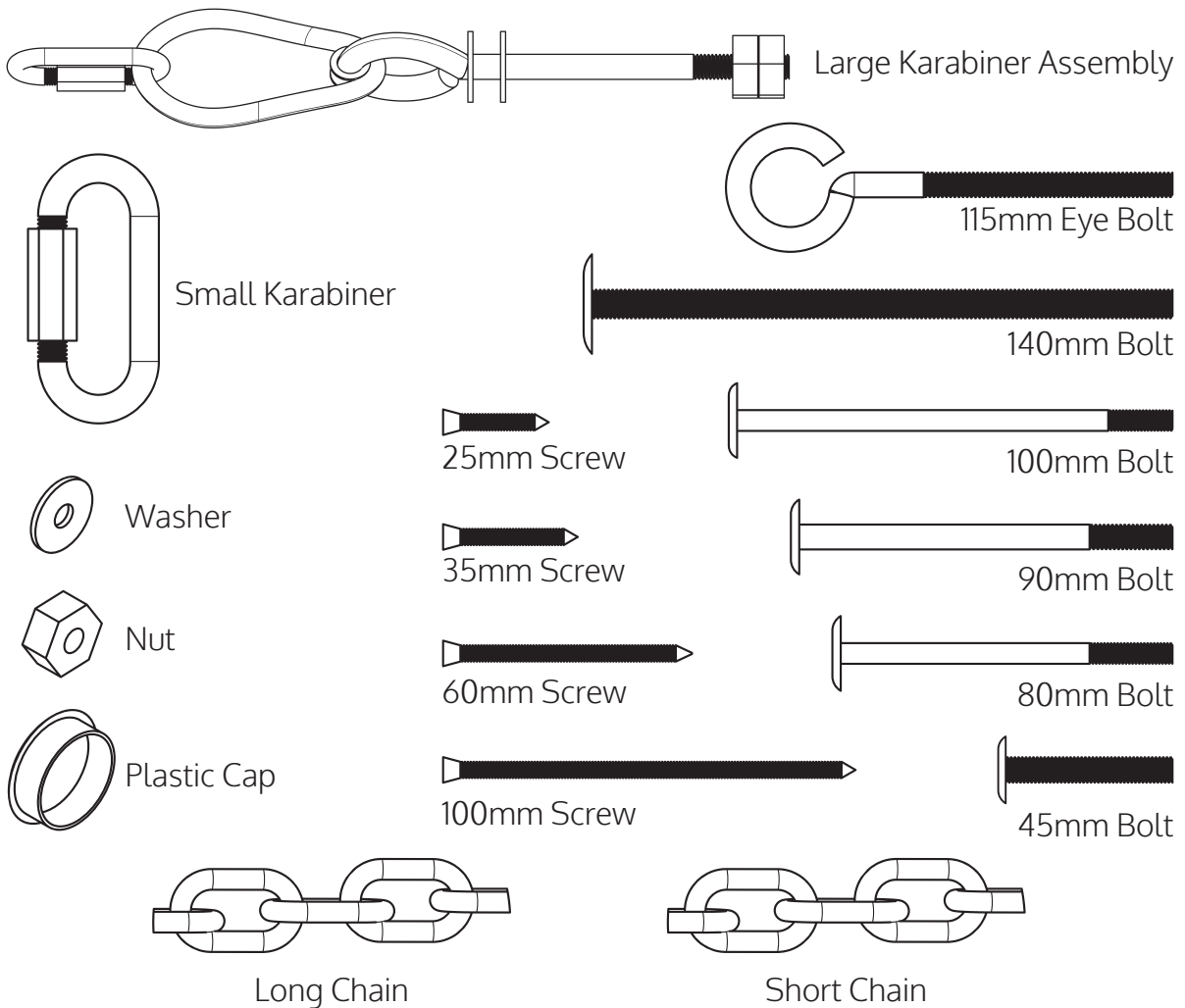
Miami 3 Seater Swing Pack List			
Code	Item	Description	Quantity
09186	A	Legs	4
18751	B	Beam	1
09191	C	Horizontal Short Brace	2
09192	D	Horizontal Long Brace	2
09193	E	Diagonal Brace	2
17833	F	Seat Back	1
17771	G	Seat	1
09196	H	Armrest Support	2
09197	J1	Arm Rest Left	1
09198	J2	Arm Rest Right	1
09199	K	Shelf	2
09201	L	Slat Supports	2
19573	M	Canopy Slats	16
09202	N	Centre Batons	2



This product is made from pressure-treated timber. It should not be painted or coated with any other treatment until at least 6 months after purchase

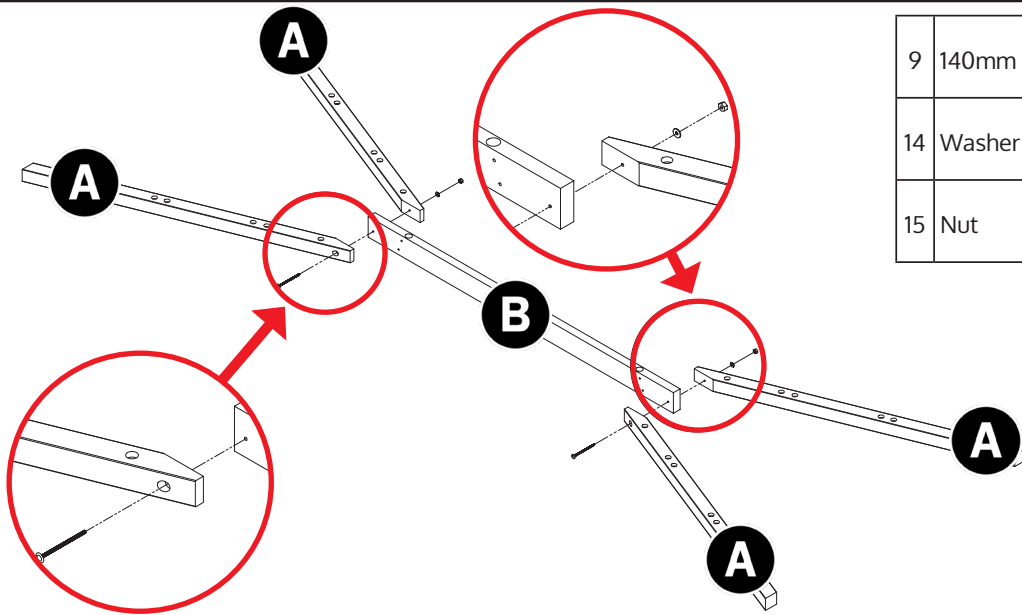
### 17772 - Miami 3 Seater Fixings List




Item	Description	Quantity
1	25mm Screws	32
2	35mm Screws	4
3	60mm Screws	30
4	100mm Screws	2
5	45mm Bolt	6
6	80mm Bolt	2
7	90mm Bolt	4
8	100mm Bolt	18
9	140mm Bolt	2
10	115mm Eye Bolt	4
11	Long Chain	2
12	Short Chain	2
13	Small Karabiner	2
14	Washer	40
15	Nut	36
16	Plastic Cap	4
17	150mm Eye Bolt, Large Karabiner, Small Karabiner, Washers & Nuts	2



This product is made from pressure-treated timber. It should not be painted or coated with any other treatment until at least 6 months after purchase

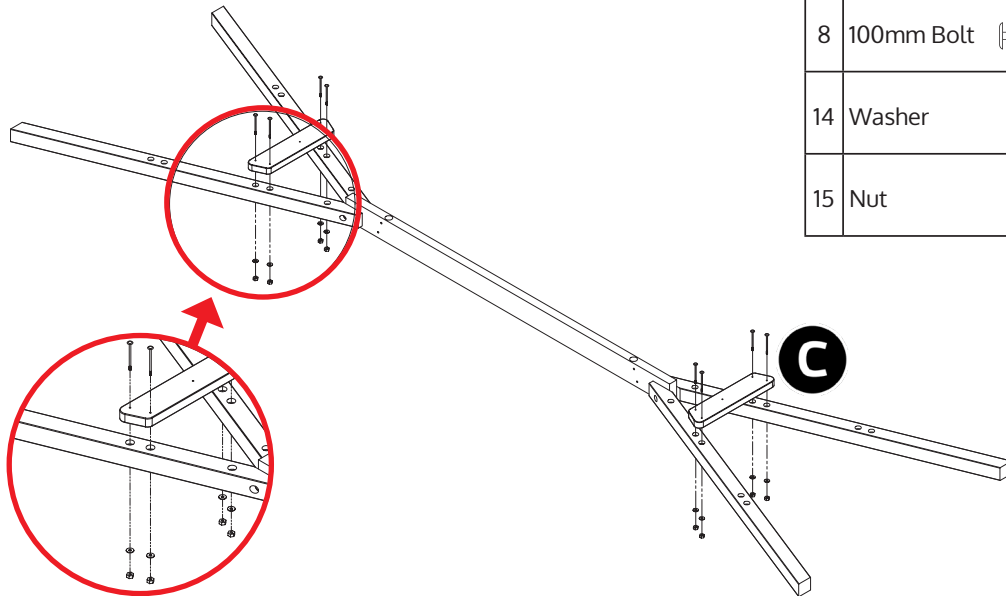
1






9	140mm Bolt		x2
14	Washer		x2
15	Nut		x2

Do Not Fully Tighten at This Stage

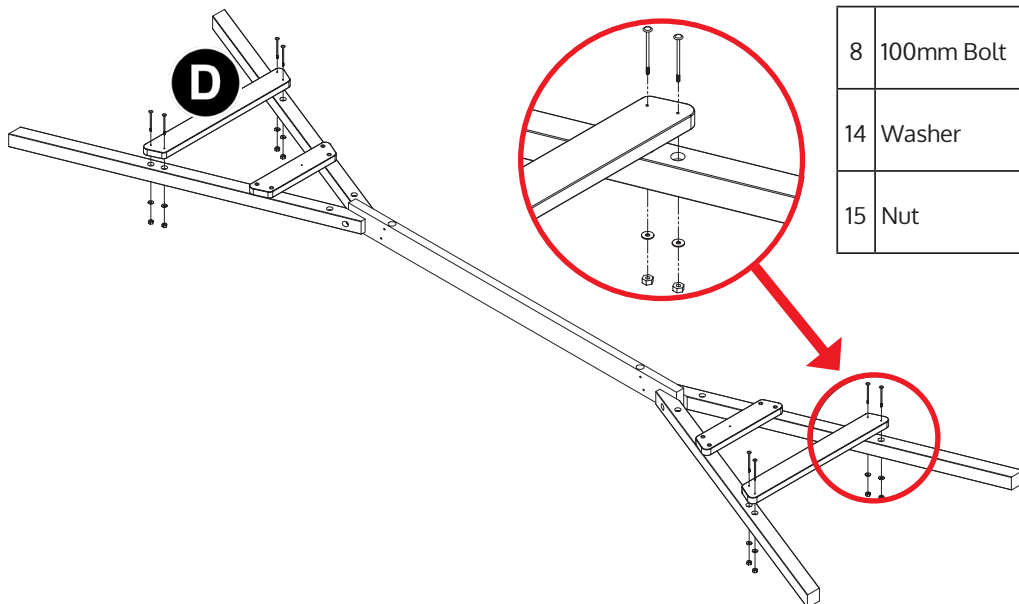
2



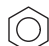


8	100mm Bolt		x8
14	Washer		x8
15	Nut		x8

Do Not Fully Tighten at This Stage

3

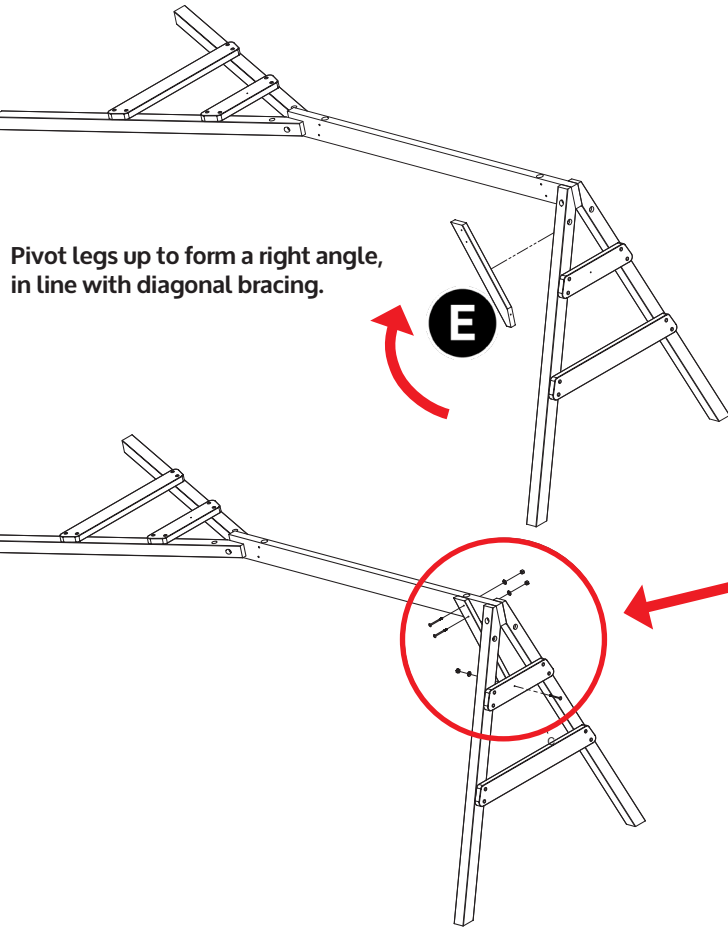


8	100mm Bolt		x8
14	Washer		x8
15	Nut		x8





Do Not Fully Tighten at This Stage



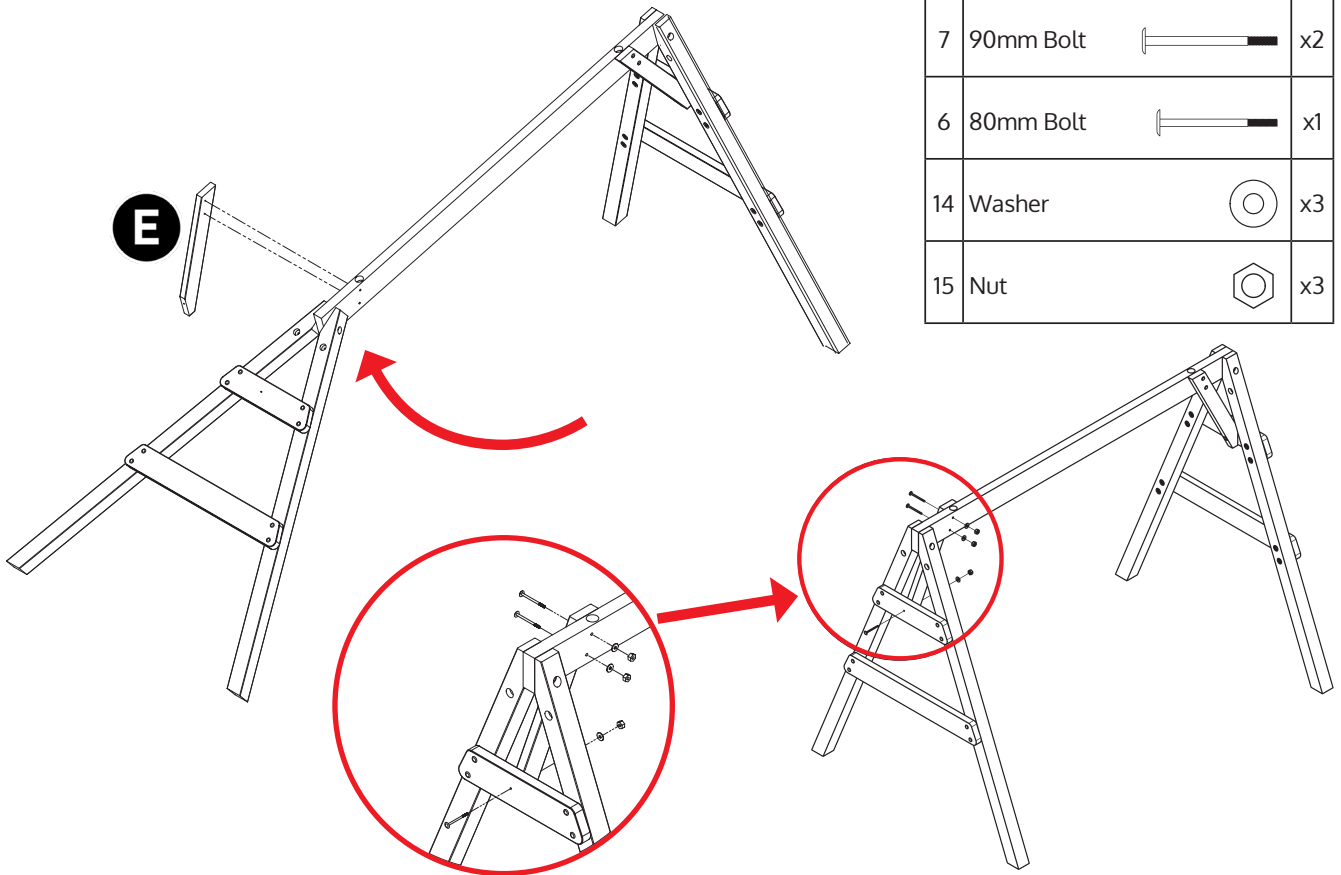
4







Pivot legs up to form a right angle, in line with diagonal bracing.

7	90mm Bolt		x2
6	80mm Bolt		x1
14	Washer		x3
15	Nut		x3

5

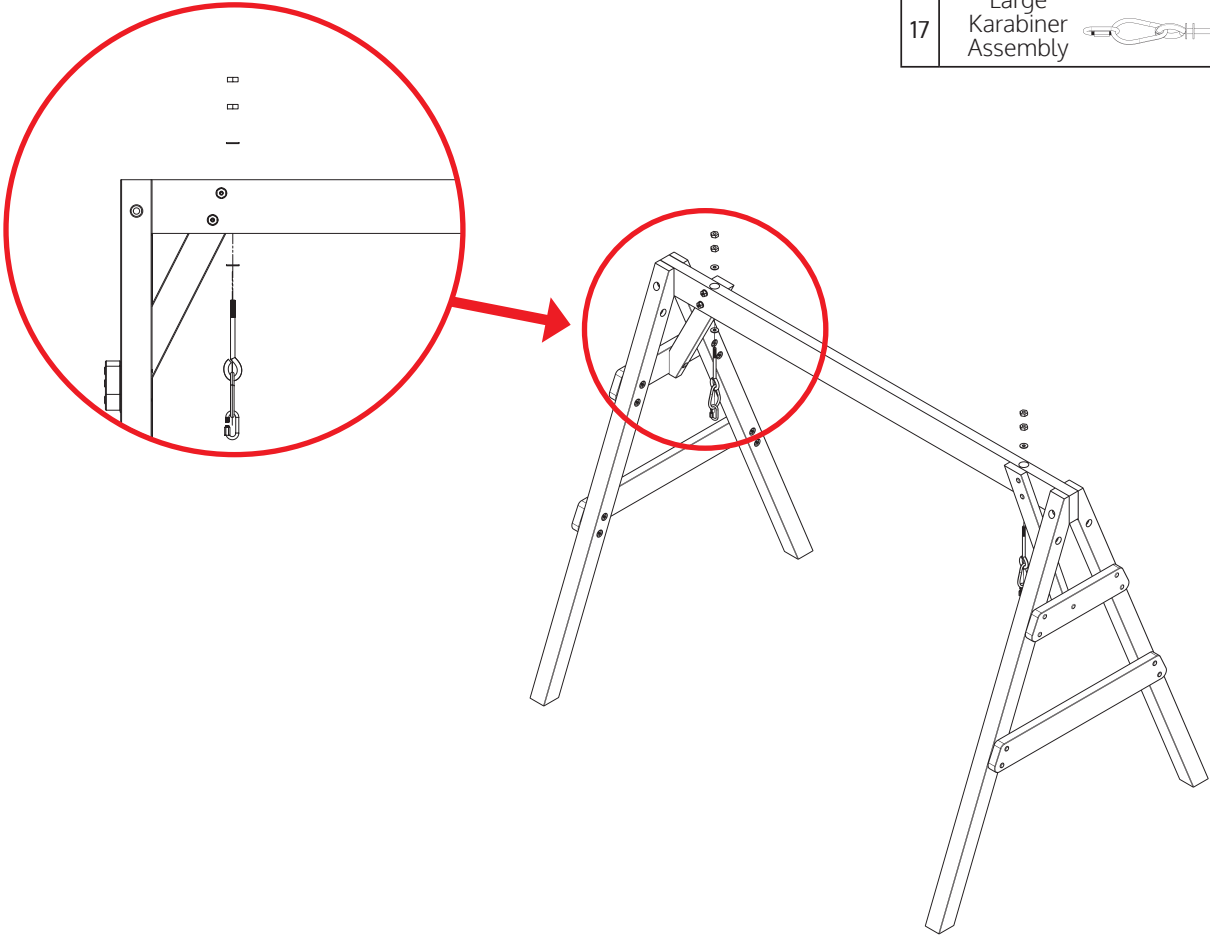


7	90mm Bolt		x2
6	80mm Bolt		x1
14	Washer		x3
15	Nut		x3




Fully Tighten All Previous Bolts at This Stage

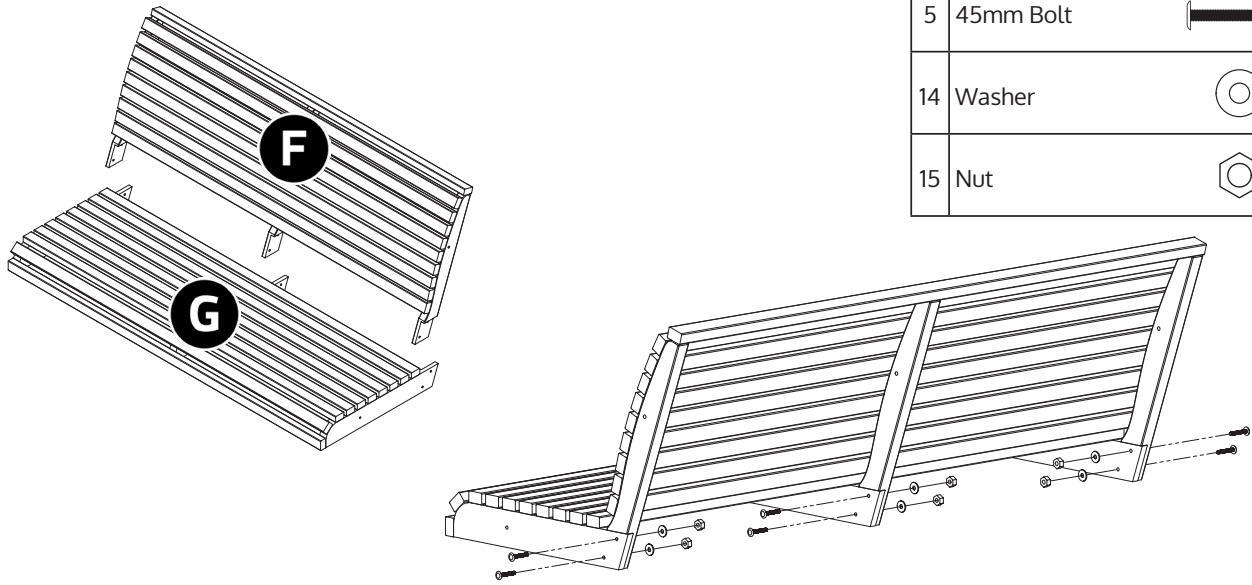
6

17	Large Karabiner Assembly		x2
----	--------------------------	---	----

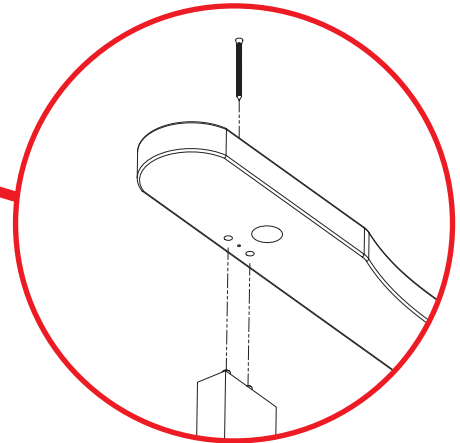
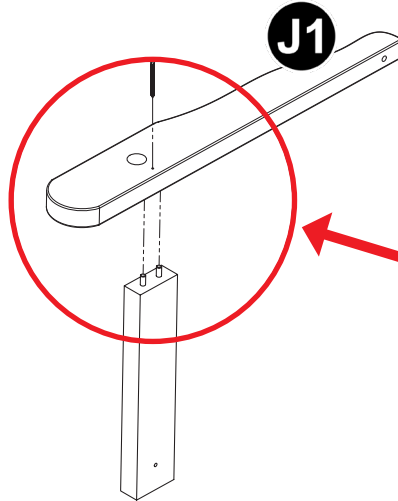
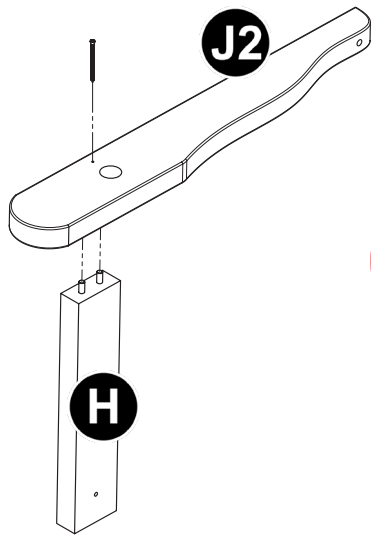


7

5	45mm Bolt		x6
14	Washer		x6
15	Nut		x6

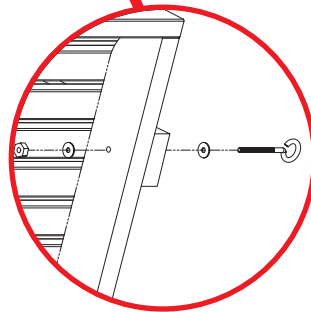
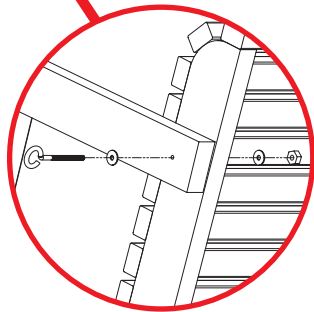
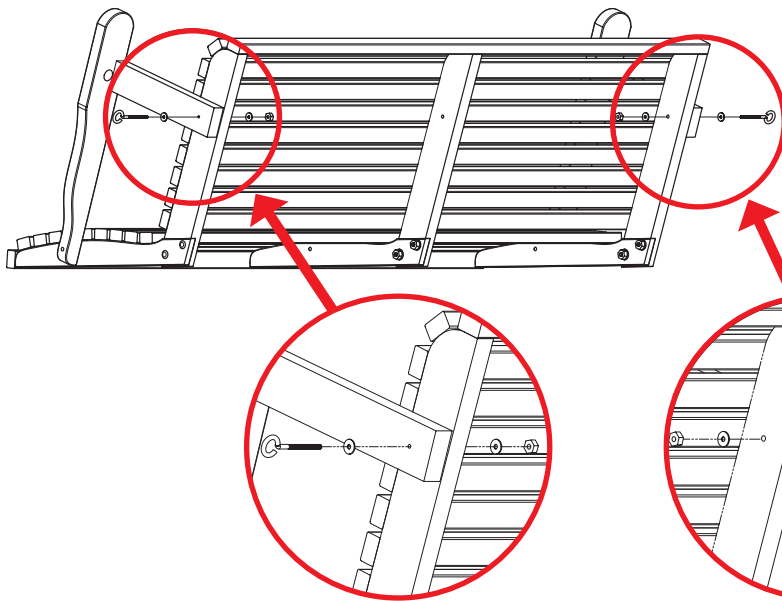





8



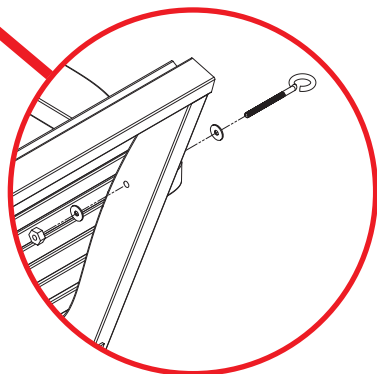
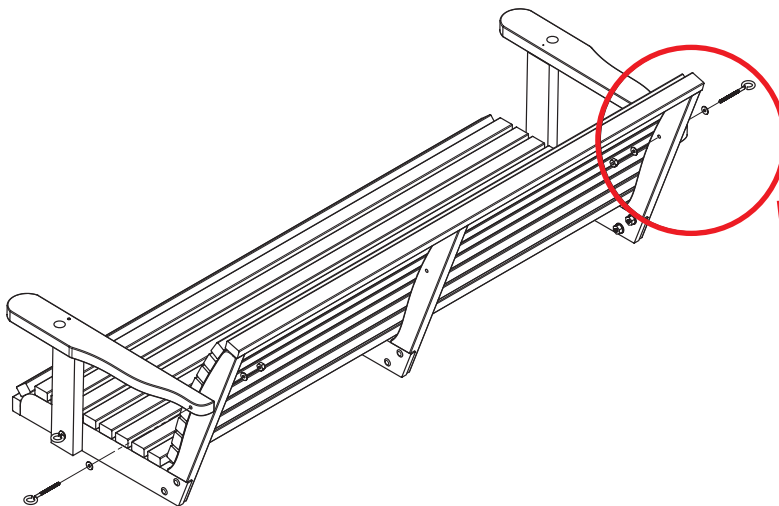
3	60mm Screw		x2
---	------------	---	----



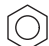
9



10	115mm Eye Bolt		x2
14	Washer		x4
15	Nut		x2

10





10	115mm Eye Bolt		x2
14	Washer		x4
15	Nut		x2



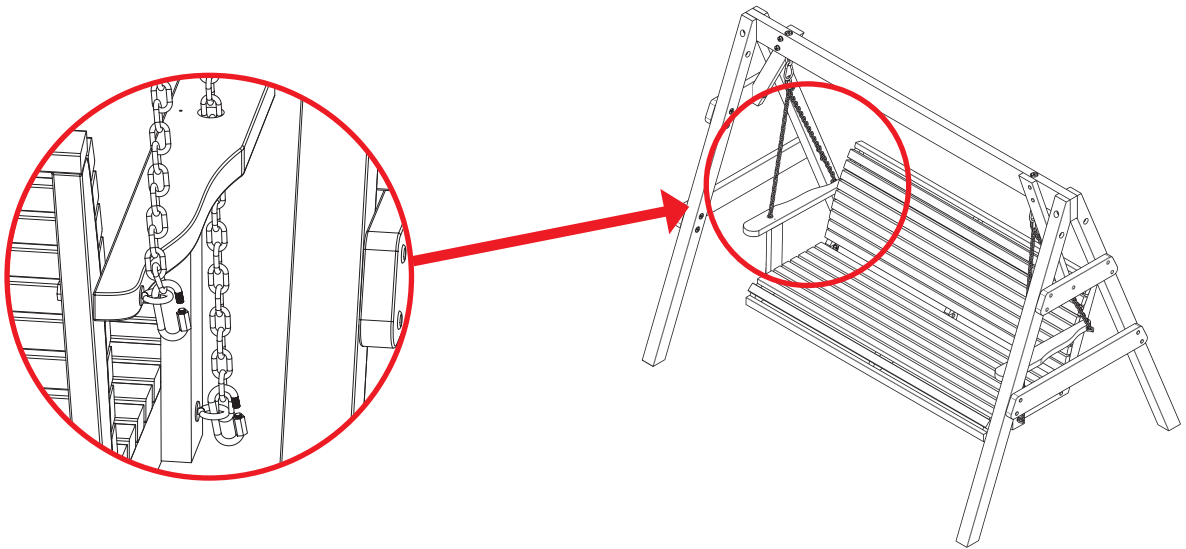
11



11	Long Chain		x2
12	Short Chain		x2

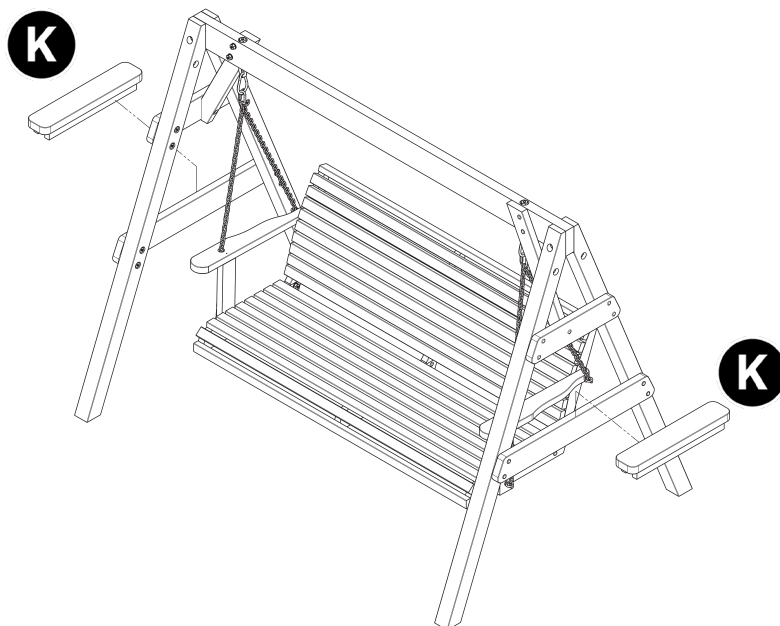
Place 1 short chain on the back of the karabiner and 1 long chain towards the front (repeat on other side).

12

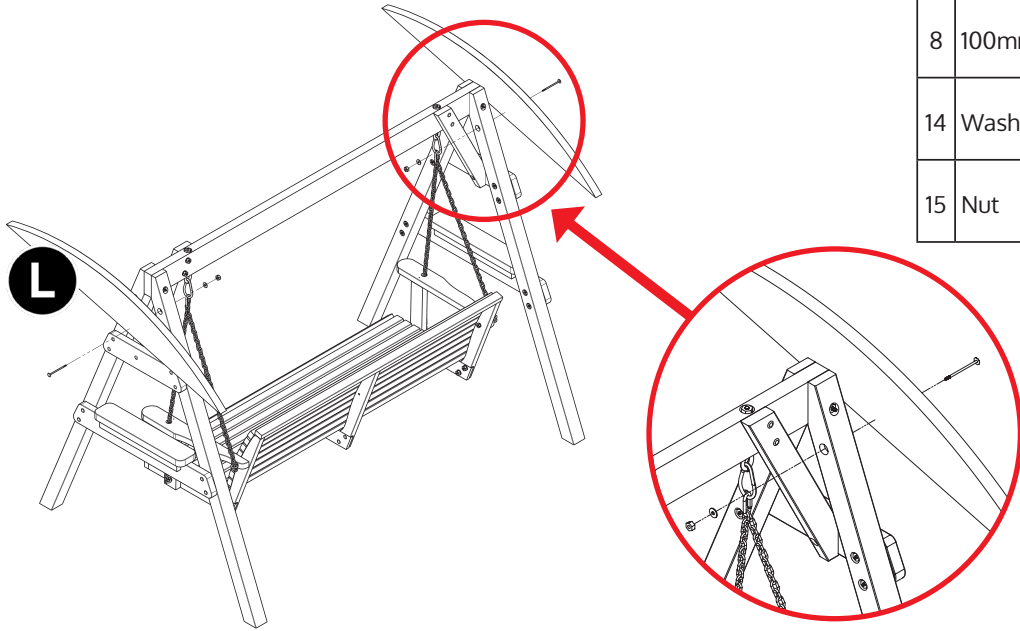




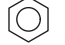
Ensure all karabiners are securely fastened.

13

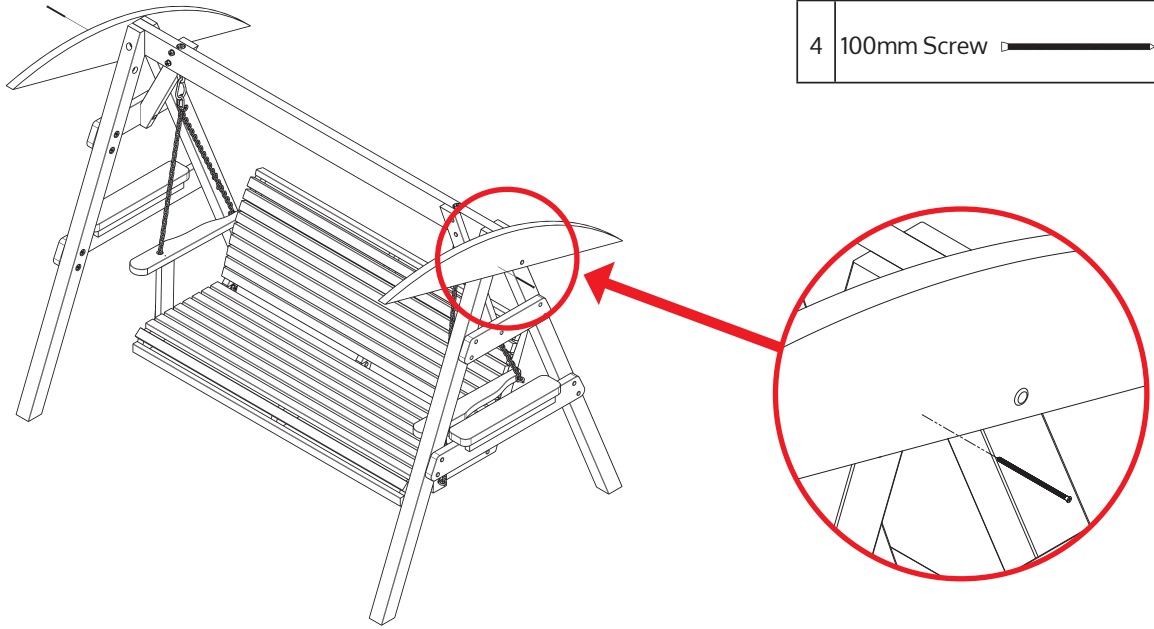


14



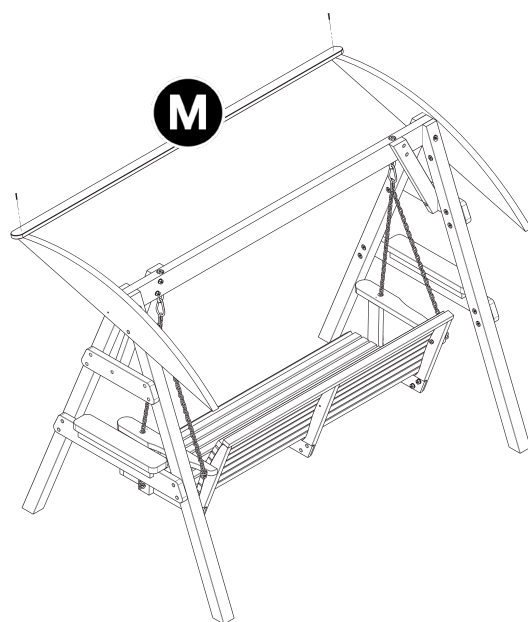
8	100mm Bolt		x2
14	Washer		x2
15	Nut		x2


15



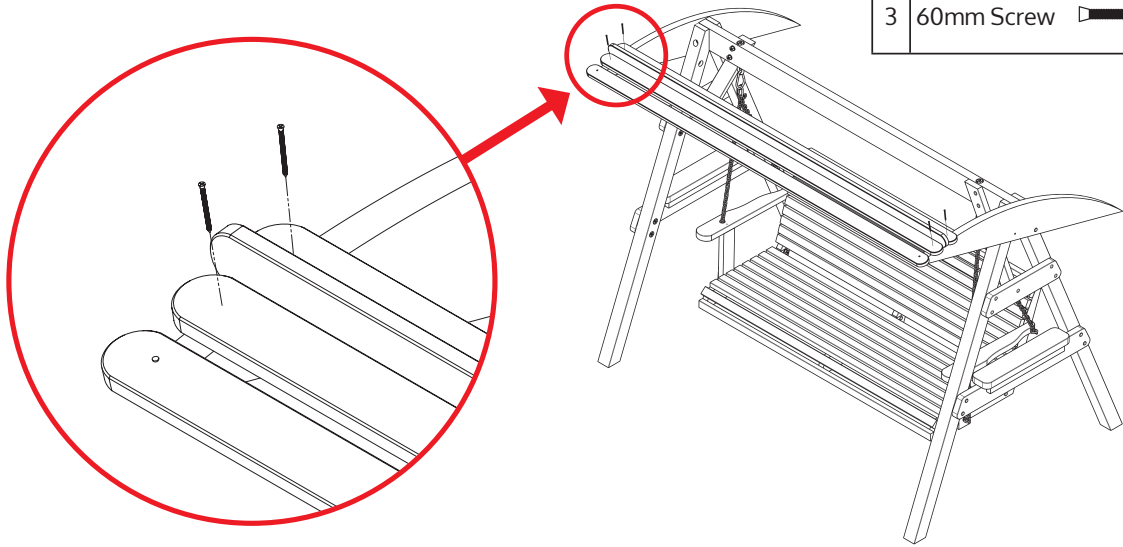
4	100mm Screw		x2
---	-------------	---	----

16



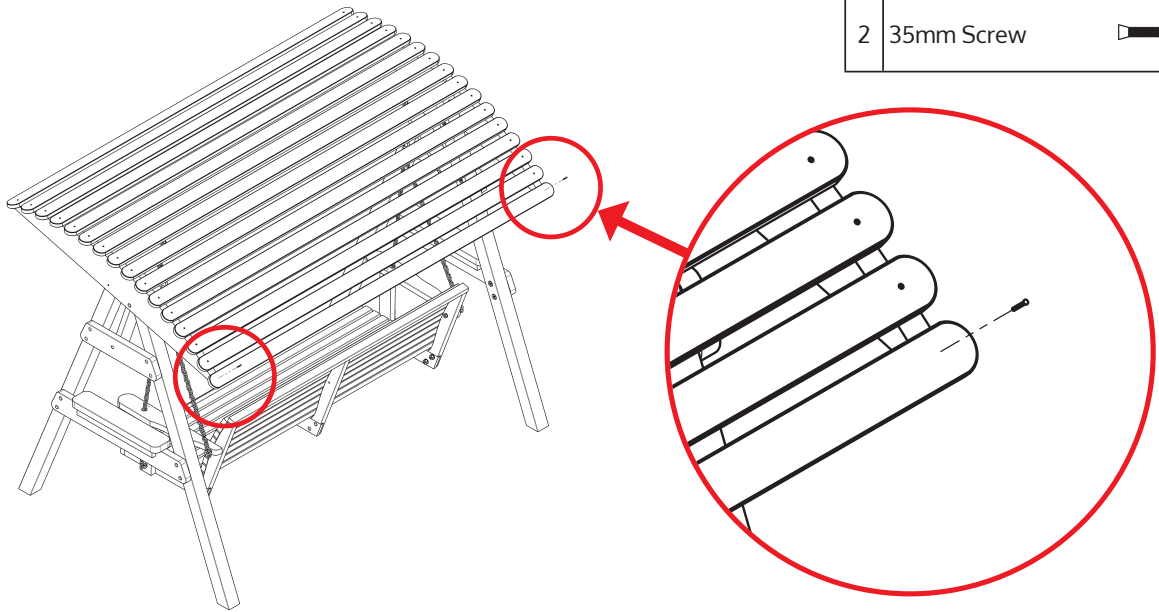
2	35mm Screw		x2
---	------------	---	----

17

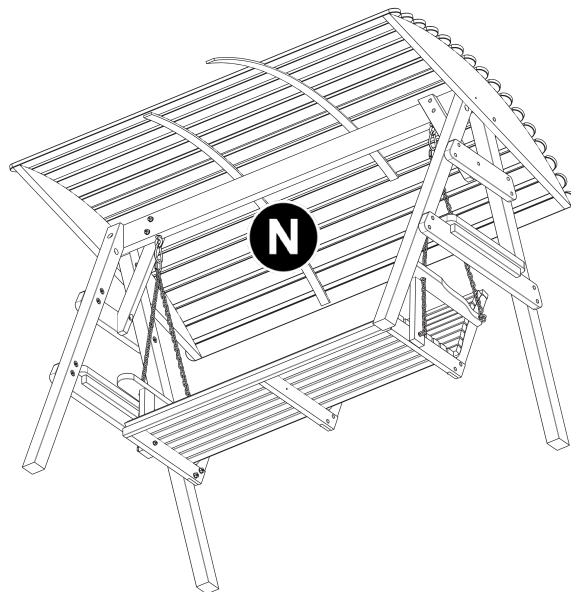


Use spare canopy slat sideways to evenly space the middle 14 panels - 2 screws per panel. Repeat this until there is one panel left.

18




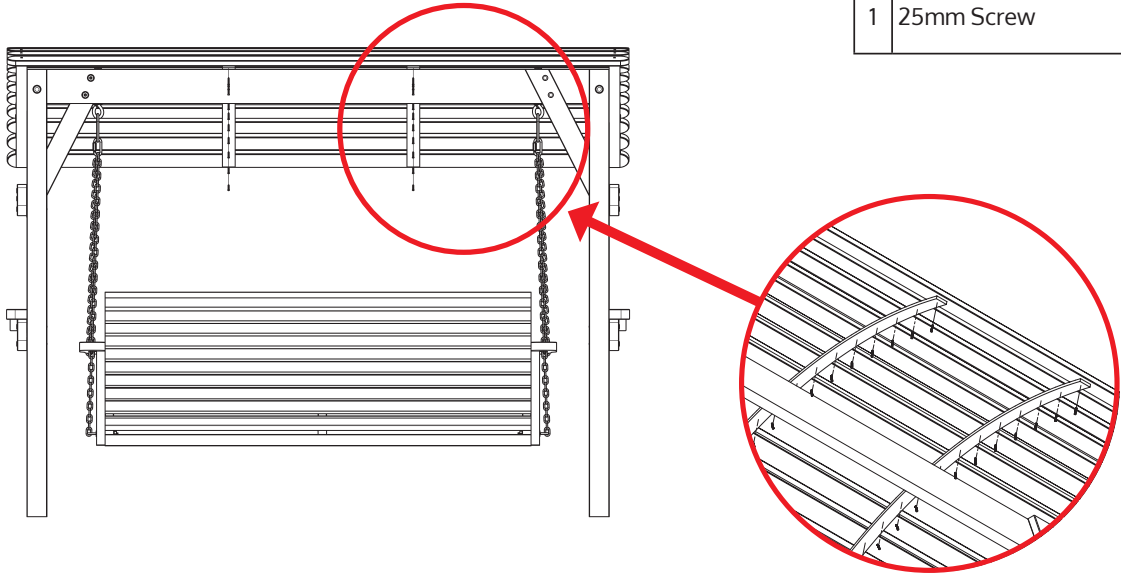
19



Gently bend the battens into place, along the underside of the canopy.

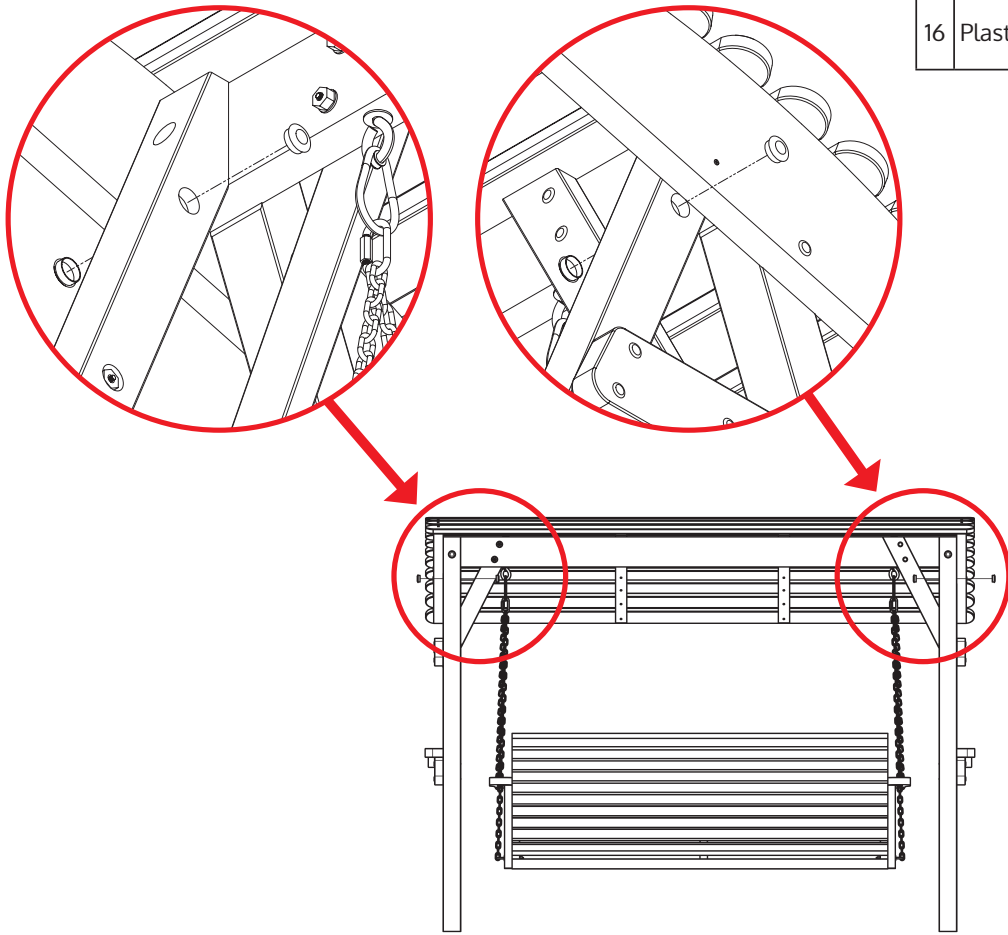
19

1	25mm Screw		x32
---	------------	---	-----



21

16	Plastic Cap		x4
----	-------------	---	----





**Your Miami 3 Seater is now complete.**