

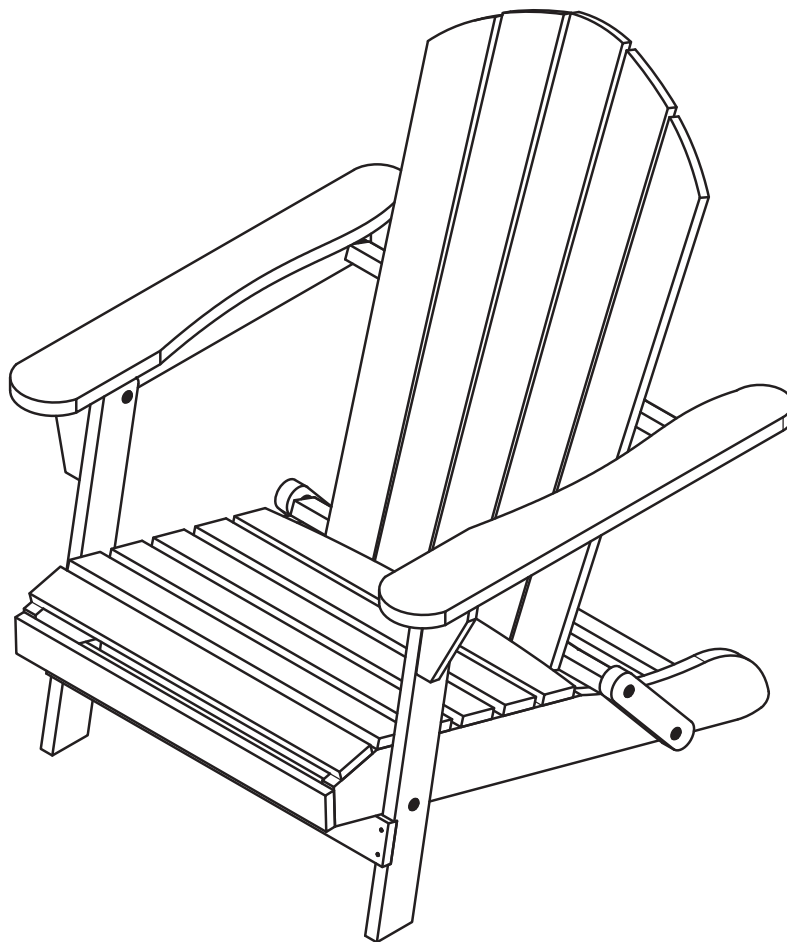


# Assembly Instructions

## Jasmine Folding Chair

Code: 27643 & 27644

V3



(W x D x H) 0.67m x 0.80m x 0.88m



**ONLINE ASSEMBLY VIDEO AVAILABLE**



**PLEASE KEEP THESE INSTRUCTIONS**



## Every Zest product is unique because each piece of timber has its own distinctive, natural features.

Zest sources all of its timber from responsibly-managed forests and everything it designs and produces meets the highest standards of sustainability. Zest ensures that all timber and timber-related products are certified to Forestry Stewardship Council (FSC®).

This is vital not only for the health of the planet, but also shows Zest's commitment to the environment and to responsible sourcing. Timber is a natural material and, as such, will fit beautifully within any outdoor space. This also means that all Zest pieces are unique because every piece of timber has its own distinctive features.



### Natural and Unique...

Changes in temperature and humidity will cause expansion and contraction so Zest products need time to adjust to where the owners live. A few splits or cracks are part of the maturing process and will not affect strength or durability. Knots embedded in the wood are natural and tell the story of the tree which made them. Customers may notice variations in colour but, once out in the garden and exposed to the sun, colour and shading will even out.

Most Zest products are pressure treated which protects the timber from rot and means customers will be able to enjoy the products in their garden for many years.

Fresh pressure treatment sometimes leads to a small amount of green-spotting on the surface of new timber as the natural salt leaves the wood. This will fade away over time and is in no way detrimental to quality or durability.

Splits and cracks occur naturally in the timber grain due to changing temperatures and humidity levels. They are not usually a cause for concern as they don't affect the strength or durability of the product. If however, a 2p coin can fit into the split or crack there may be an issue so it should be reported to the retailer in writing with photographic evidence.

### The benefits of slow grown timber

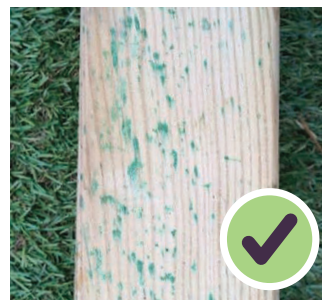
“ Slow grown timber from Eastern Europe is ideal for timber garden furniture. It produces a stronger grain in the wood giving it more durability and is said to be as strong ”



Normal splits are characteristics of timber.



Knots are characteristics of timber.



Sun Bleaching & Green Spotting are not causes for concern and they will fade over time when items are placed outdoors.



Should you find a large split or dead knot, please email a photo to your retailer for investigation.

# Product Assembly Instructions

Requires 2 Person assembly

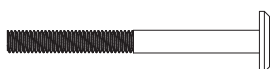
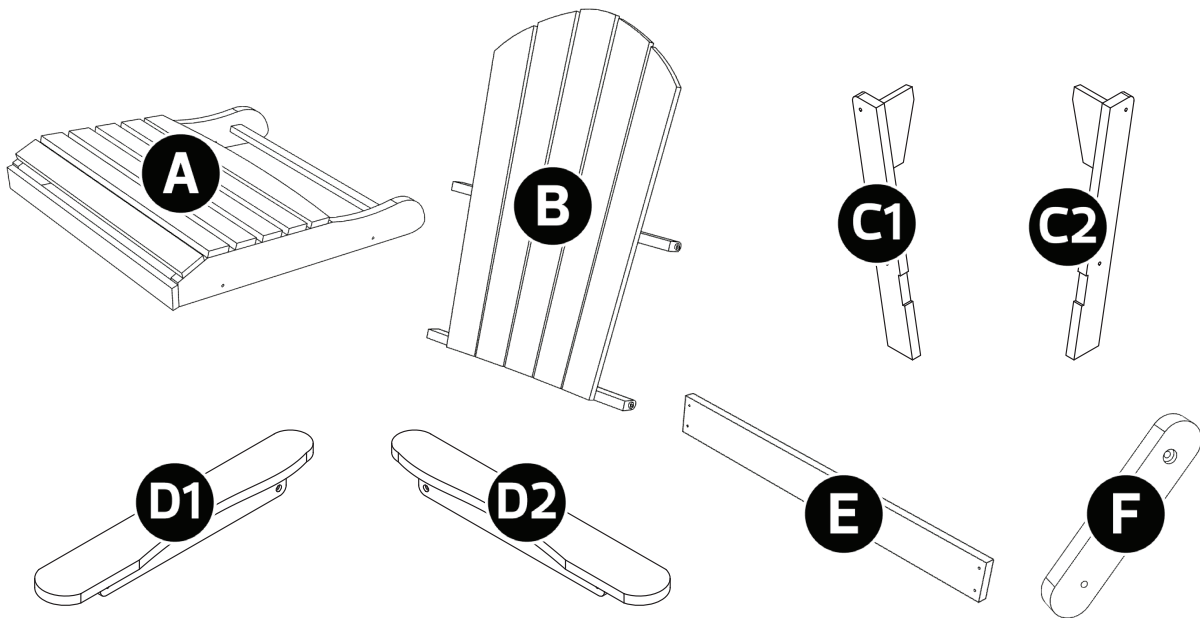
Tools required: Flat head & Pozi Screw driver required (All screw holes are pre-drilled)

Tools provided: Allen key

Please take a few moments to check all pack contents listed

Jasmine Folding Chair Pack List		
Item	Description	Quantity
A	Seat Base	1
B	Seat Back	1
C1	Right Leg	1
C2	Left Leg	1
D1	Right Arm	1
D2	Left Arm	1
E	Front Leg Brace	1
F	Side Hinge	2

Screw List		
Item	Description	Quantity
1	M6 - 65mm Bolt	4
2	M8 - 50mm Bolt	6
3	M8 Washer	16
4	Plastic Washer	4
5	Plastic Washer	4
6	Plastic Washer	2
7	Cross Dowel	4
8	Locking Nut	6
9	40mm Screws	4



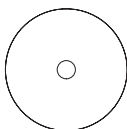
1. M6 - 65mm Bolt



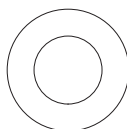
2. M8 - 50mm Bolt



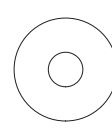
3. M8 Washer



4. Plastic Washer



5. Plastic Washer



6. Plastic Washer



7. Cross Dowel



8. Locking Nut



9. 40mm Screws

**Nuts & Bolts:** To allow ease of build, only tighten nuts & bolts by hand until the product is assembled. Once assembly is complete then tighten further with the supplied Allen Key.

**1**

2	M8 - 50mm Bolt		x2
3	M8 Washer		x4
4	Plastic Washer		x2
8	Locking Nut		x2

**2**

9	40mm Screws		x4
---	-------------	--	----

**3**

**4**

1	M6 - 65mm Bolt		x2
3	M8 Washer		x2
5	Plastic Washer		x2
7	Cross Dowel		x2

**5**

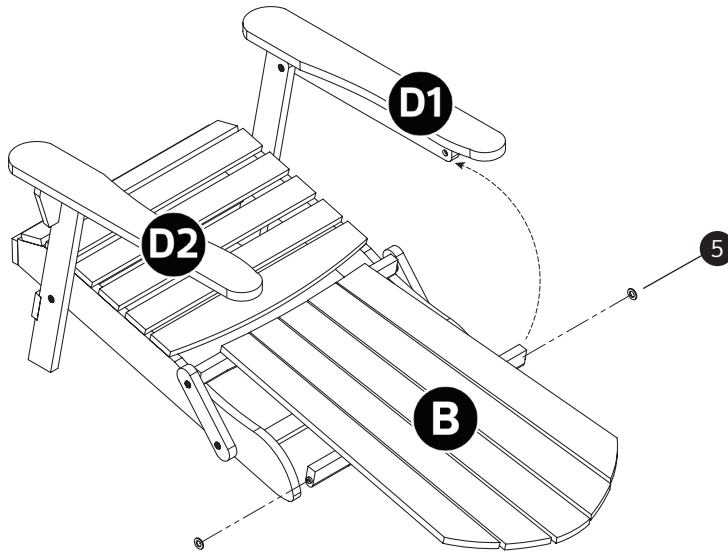
2	M8 - 50mm Bolt		x2
3	M8 Washer		x4
4	Plastic Washer		x2
8	Locking Nut		x2

**6**




2	M8 - 50mm Bolt		x2
3	M8 Washer		x4
6	Plastic Washer		x2
8	Locking Nut		x2

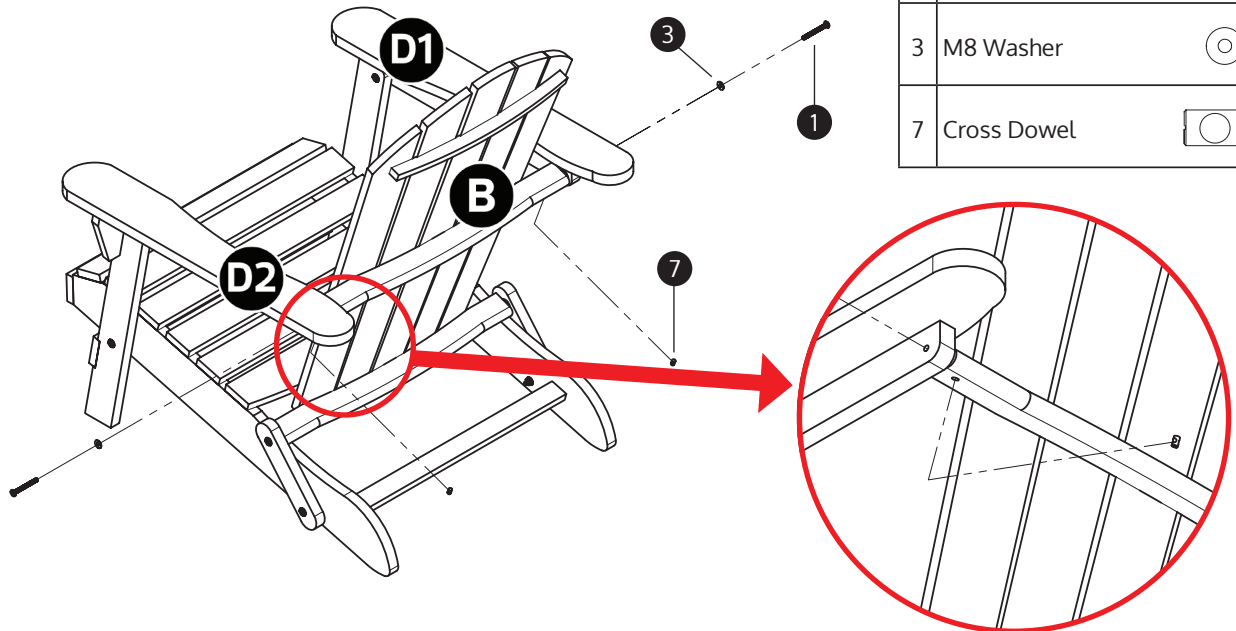
7

5	Plastic Washer		x2
---	----------------	---	----



8

1	M6 - 65mm Bolt		x2
3	M8 Washer		x2
7	Cross Dowel		x2



Your product is now complete.

**Folding and Unfolding:** To fold, tip the back panel forward to meet the seat. To unfold, lift the back panel and tilt forward the hinged bar at the base of the back panel allowing the chair to unfold.