

# ASSEMBLY INSTRUCTIONS

## 6ft Value Half Wall Frame, Half Growhouse

### CONTENTS

Main aluminium parts	P1
End sections	P2
Adding the long rails	P3
End plates	P4
Centre legs	P5
Squaring & fixing	P6
Wall & floor problems (SW3)	P7
Fitting the back rails (SB3)	P8
Fitting the infill plate (SB3)	P9
Ground Fixing (SB3)	P10
Shelving	P11
Fitting liner	P12
Fitting handles	P13
Fitting glass	P14
Troubleshooting	P15
Notes on using the frame	P16

Please keep all packaging until installation is complete



Model SW3 shown



Model SB3 shown

### Video instructions:

Helpful video clips are available at

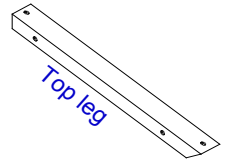
[www.garden-products.co.uk/instructions](http://www.garden-products.co.uk/instructions)

Access Garden Products  
Crick  
NORTHAMPTON  
NN6 7XS

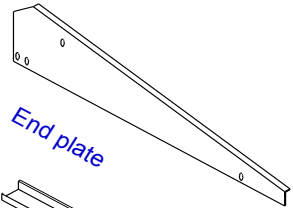
Tel: 01788 822301  
Fax: 01788 824256  
[sales@garden-products.co.uk](mailto:sales@garden-products.co.uk)  
[www.garden-products.co.uk](http://www.garden-products.co.uk)

Assembly instructions for models: SW3 (6ft Half Wall Frame)  
SB3 (6ft Half Growhouse)

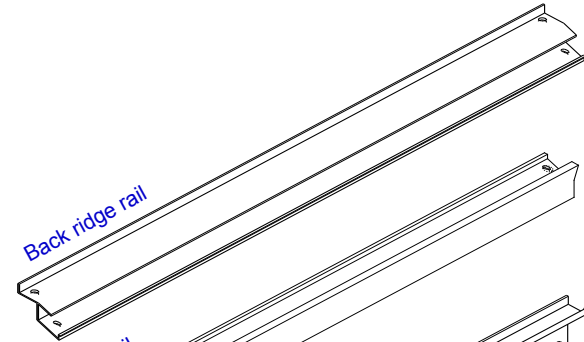
Date: Oct 2017 Rev 0 File: SWB3



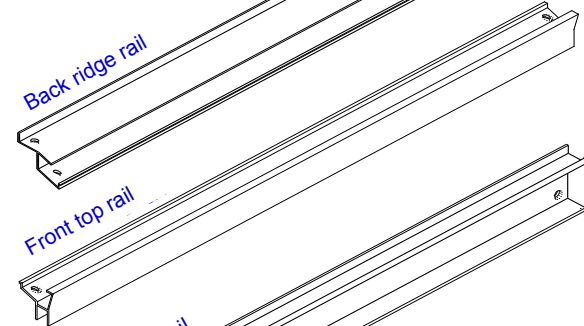
Top leg



End plate



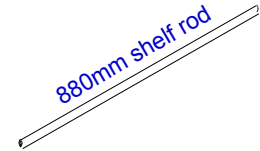
Back ridge rail



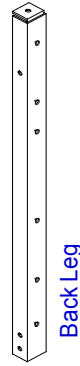
Front top rail



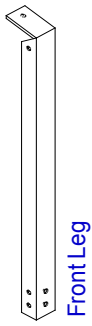
Front bottom rail



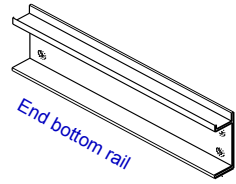
880mm shelf rod



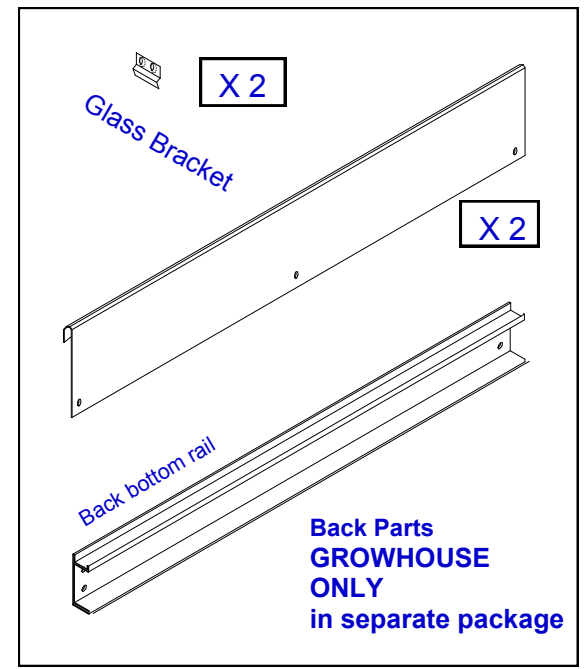
Back Leg



Front Leg



End bottom rail



X 2

Glass Bracket

X 2

Back bottom rail

Back Parts  
GROWHOUSE  
ONLY  
in separate package

End parts	SW3/SB3
End plate	2
Kick rail	2

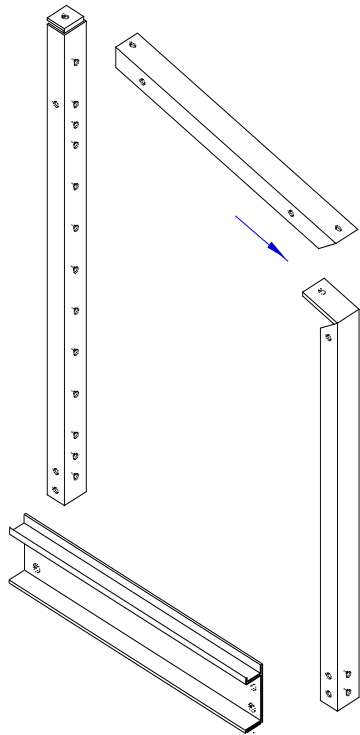
Front parts	SW3/SB3
Ridge rail	1
Top rail	1
Bottom rail	1
880mm shelf rod	10

Additional Items		SW3	SB3
Handle 585mm		6	6
Screw pack	SCREW-P4	1	1
Screw pack	SCREW-P10	0	1
Shelf pack	S-V	2	2
Black channel liner	W65-5M	1	1
White channel liner	W66-4M	1	1

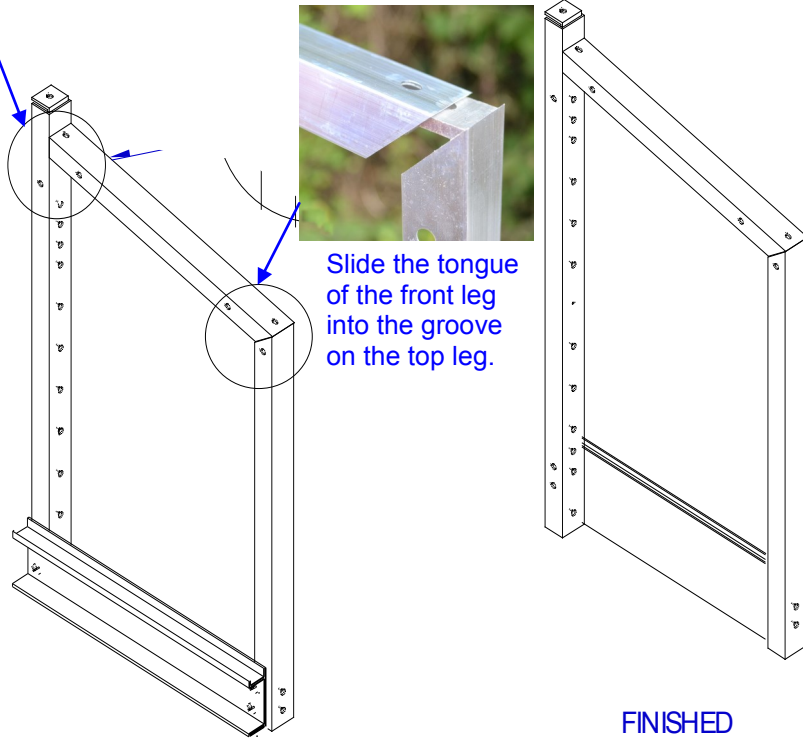
Leg parts	SW3/SB3
Back leg	3
Front leg	3
Top leg	3



Top leg rests against the **FLAT FACE** of back leg



EXPLODED VIEW

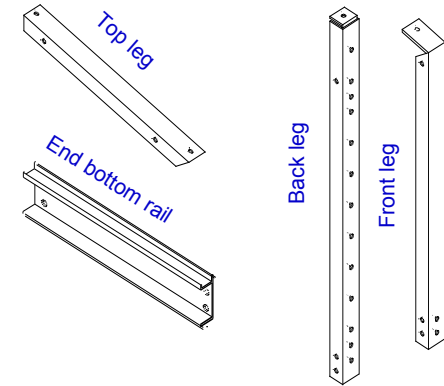


FINISHED LEFT HAND END

FINISHED RIGHT HAND END



Slide the tongue of the front leg into the groove on the top leg.



<b>YOU ALSO NEED:</b>	
10mm BOLTS	4
NUTS	4
Located in pack: SCREW-P4	

**PARTS NEEDED FOR EACH END**

- 1** Make up the LEFT hand end as shown.
- 2** Make up the RIGHT hand end as shown

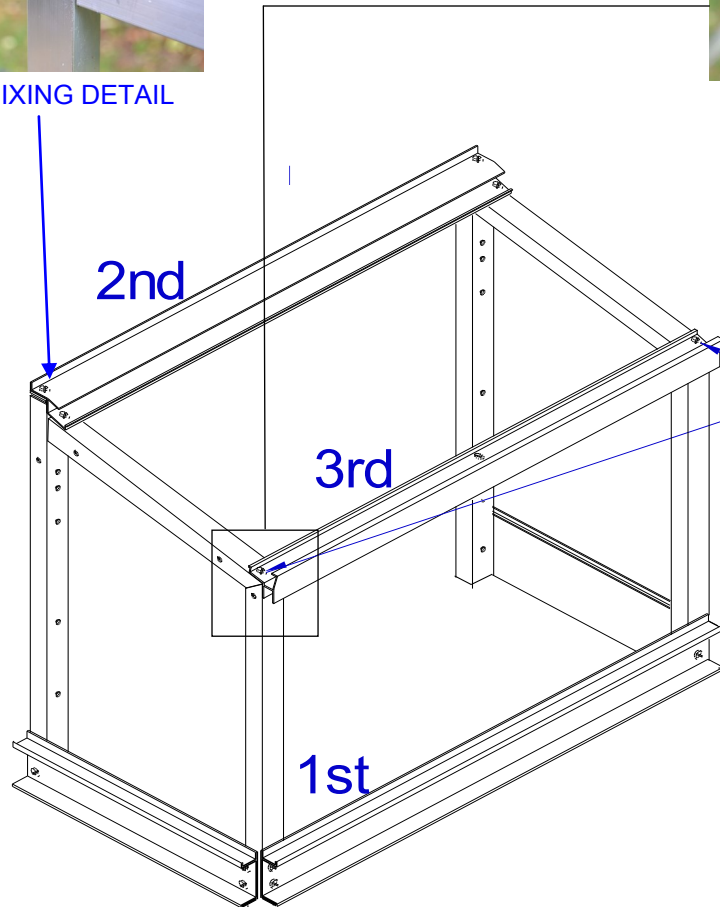
**DO NOT FULLY TIGHTEN BOLTS AT THIS STAGE**



FIXING DETAIL

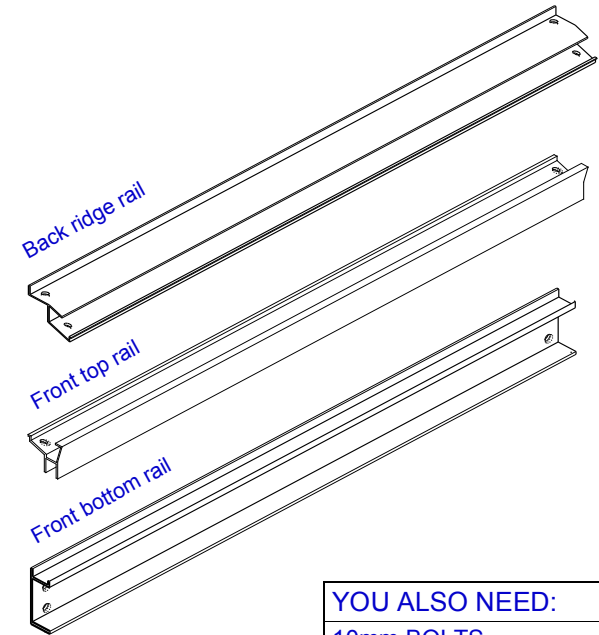


FIXING DETAIL



USE THE TWO 20MM BOLTS WITH THIS RAIL

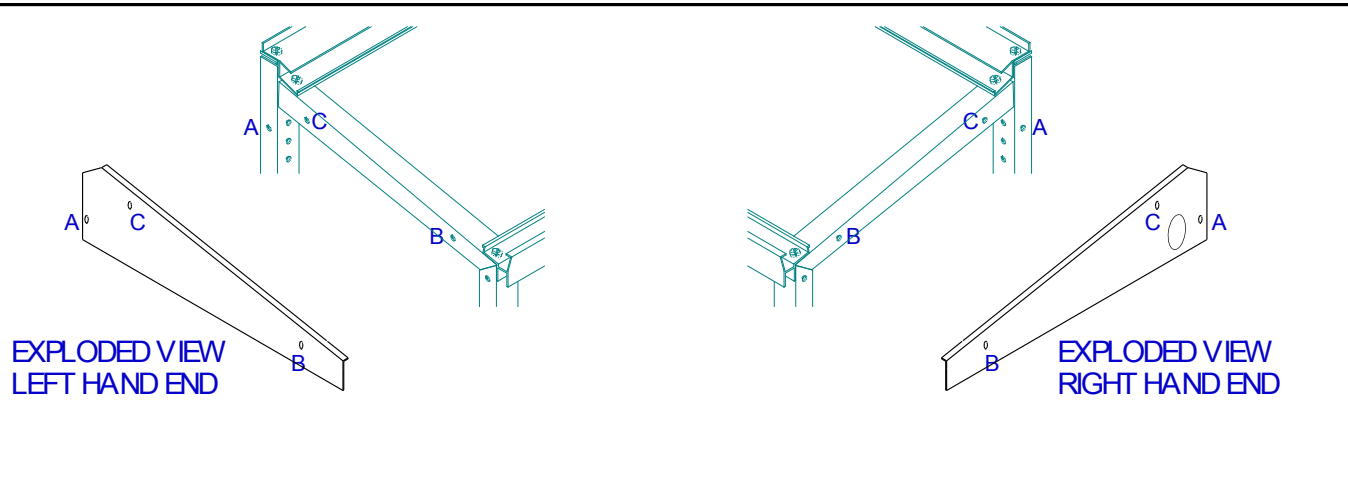
## PARTS NEEDED



YOU ALSO NEED:	
10mm BOLTS	8
20mm BOLTS	2
NUTS	10
Located in pack: SCREW-P4	

**1** Bolt on the rails in the order shown.

**DO NOT FULLY TIGHTEN BOLTS AT THIS STAGE**



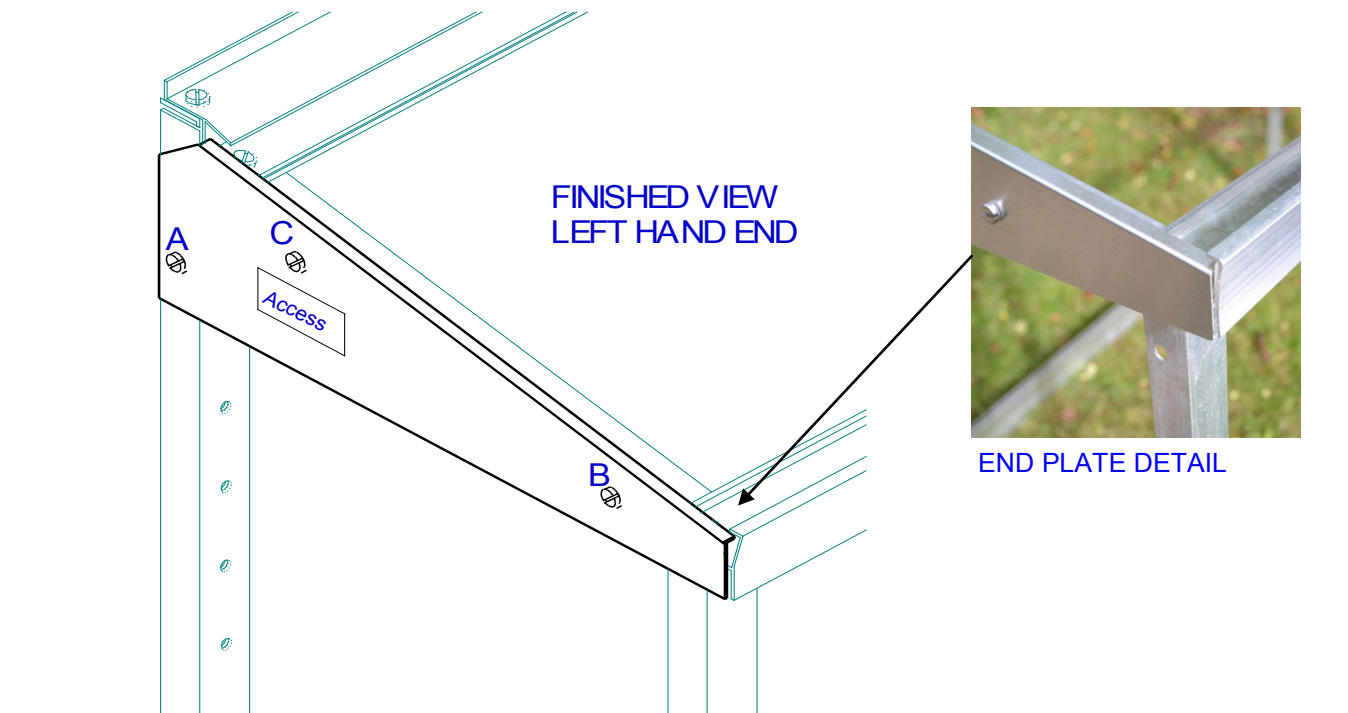
**PARTS NEEDED FOR EACH END**

end plate

Sticker  
Access

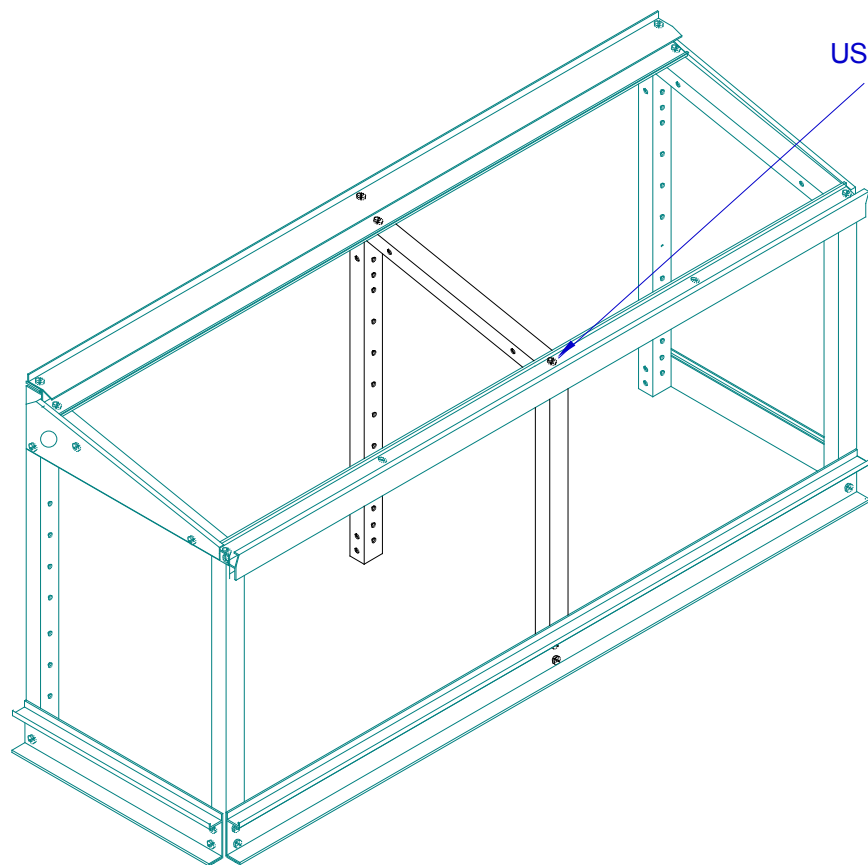
**YOU ALSO NEED:**

10mm BOLTS	3
NUTS	3
3mm WHITE SPACER	2
BLACK GROMMET	1
Located in pack: SCREW-P4	

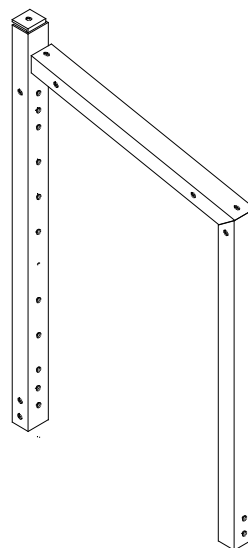


- 1 **Remove any plastic protective film** from the end plates and put 'Access' sticker on.
- 2 Bolts 'A' and 'B' go through the end plate THEN have a 3mm white spacer fitted BEFORE fitting to the frame.
- 3 Bolt 'C' only goes through the end plate and the frame.
- 4 Repeat for the other end.
- 5 One end plate will have a large hole in. Fit the black grommet into the hole.

**DO NOT FULLY TIGHTEN BOLTS AT THIS STAGE**

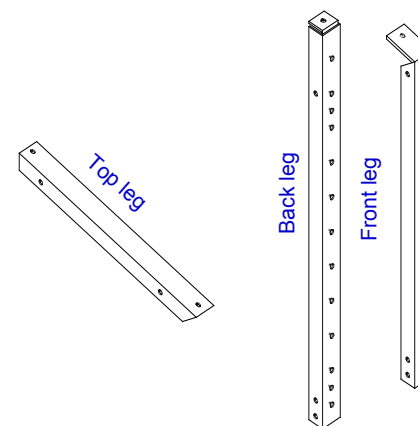


USE 20mm BOLT



CENTRE LEGS  
PRIOR TO FITTING

## PARTS NEEDED



YOU ALSO NEED:	
10mm BOLTS	4
20mm BOLTS	1
NUTS	5
Located in pack: SCREW-P4	

**1** Fit legs as shown into the frame.

DO NOT FULLY TIGHTEN  
BOLTS AT THIS STAGE

1

**SQUARING THE FRAME**

Use a piece of glass to square the unit up as shown. Slacken the nuts if necessary to move the framework into a square position.

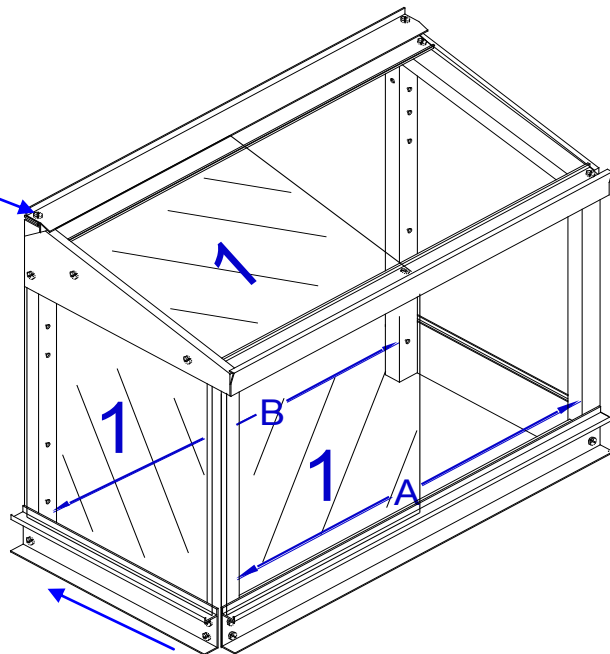
Page 11 gives instructions on how to fit the glass into the frame.

**IT IS ESSENTIAL TO GET THE FRAME SQUARE.  
DO NOT ALIGN TO THE WALL AS IT MAY NOT BE SQUARE .**

Ensure distance 'A' is equal to distance 'B' otherwise the shelves will not fit.

Remove glass after squaring.

If this nut turns while tightening, use a small pair of pliers to hold the nut



To check the squareness of the end, slide end glass in from front corner, slacken end plate bolts if necessary

2

Once the frame is completely square fully tighten up all the nuts and bolts.

**FULLY TIGHTEN ALL BOLTS USING A LARGE FLAT BLADED SCREWDRIVER, otherwise the framework will quickly work loose.**

**PERIODICALLY CHECK THE TIGHTNESS OF THE BOLTS**

**IF YOU HAVE A GROWHOUSE NOW GO TO PAGE 8**

3

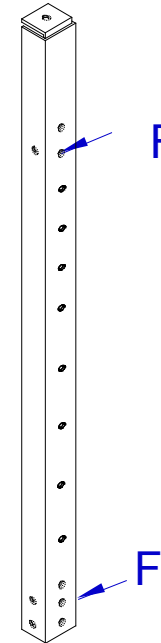
**FIXING TO WALL**

Two screws are used in each back leg (NOT SUPPLIED). We recommend 2" No. 8 or No. 10 woodscrews.

When fixing to a wall, rawlplugs will be required

Counting from the floor the screws go in the holes marked 'F'.

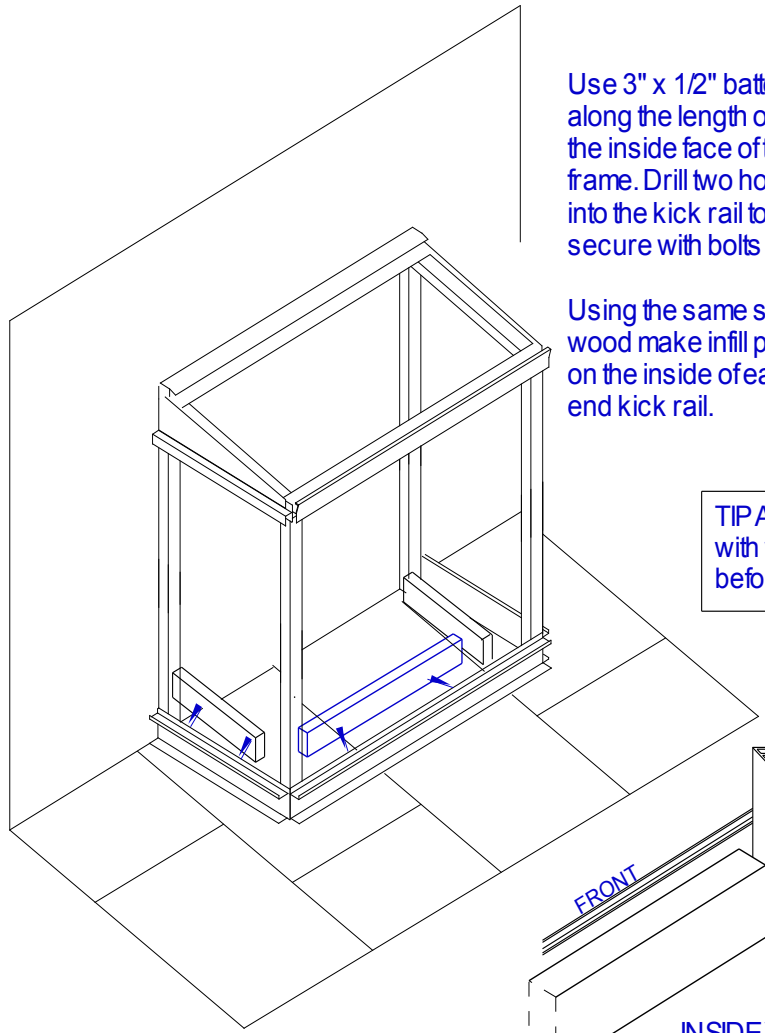
2 & 12



Back leg

**WEAR APPROPRIATE SAFETY EQUIPMENT WHEN DRILLING OR HAMMERING**

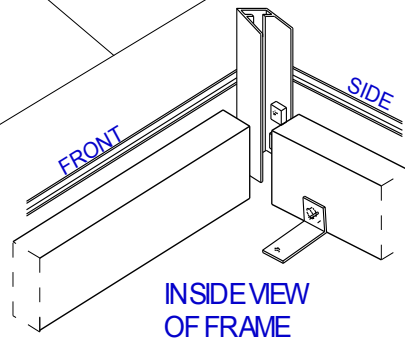
## FLOOR FALLING AWAY



Use 3" x 1/2" batton along the length of the inside face of the frame. Drill two holes into the kick rail to secure with bolts or screws.

Using the same size wood make infill pieces on the inside of each end kick rail.

**TIP** Always treat timber with wood preservative before fixing in place

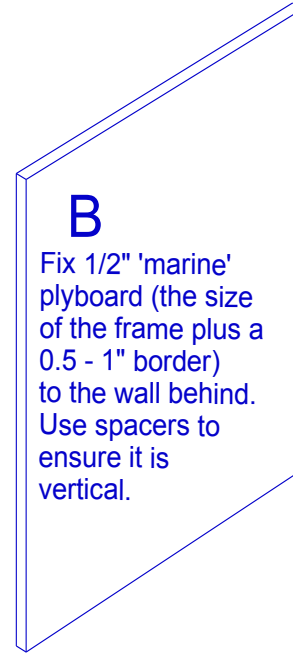


Screw or bolt 'L' shaped brackets to the wood and then to the floor

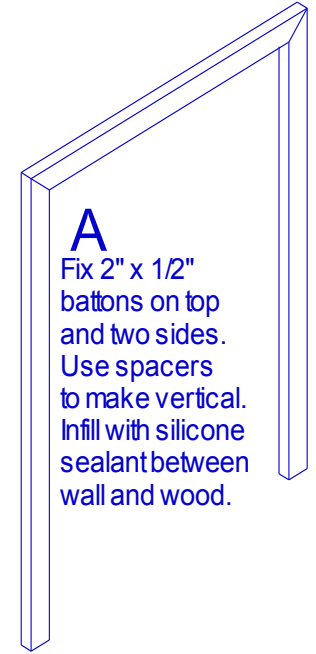
**IF YOU HAVE A WALL FRAME MODEL NOW GO TO PAGE 11**

## ROUGH OR SLOPING WALL

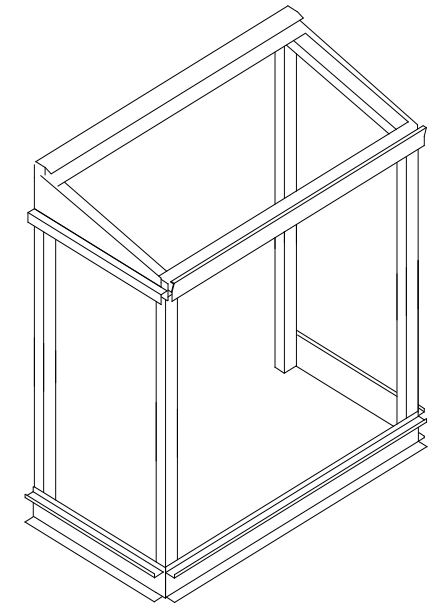
To solve problems with walls choose option A or B below.  
Fit the frame to the woodwork using 1.25" wood screws. (not supplied)  
Seal around the inside of the frame with silicone sealant when finished.



**B**  
Fix 1/2" 'marine' plyboard (the size of the frame plus a 0.5 - 1" border) to the wall behind. Use spacers to ensure it is vertical.

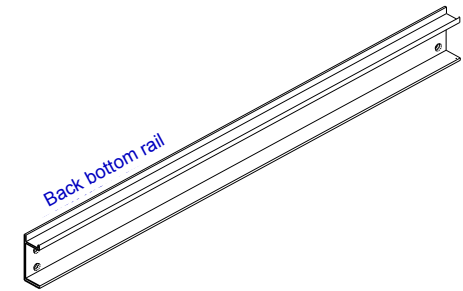


**A**  
Fix 2" x 1/2" battons on top and two sides. Use spacers to make vertical. Infill with silicone sealant between wall and wood.



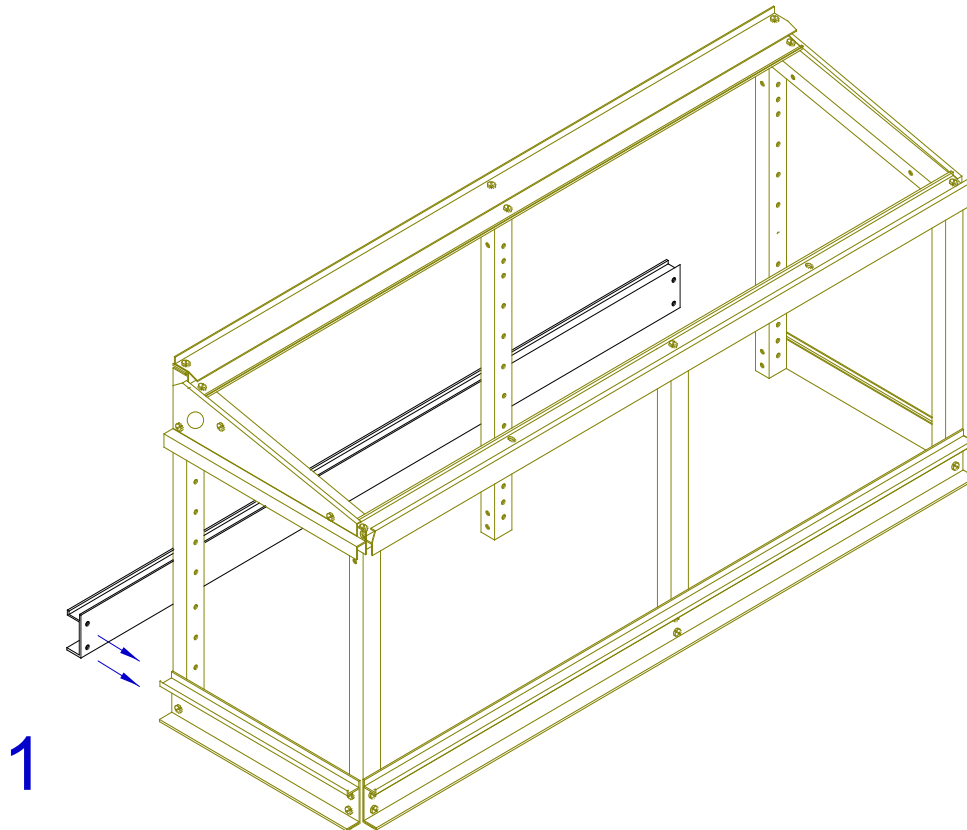


## PARTS NEEDED



### YOU ALSO NEED:

30mm BOLTS	6
NUTS	6
20mm NYLON SPACER	6
Located in pack: SCREW-P10	



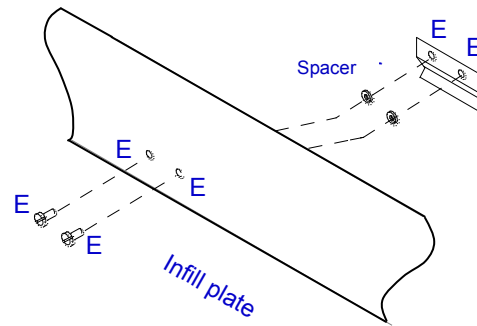
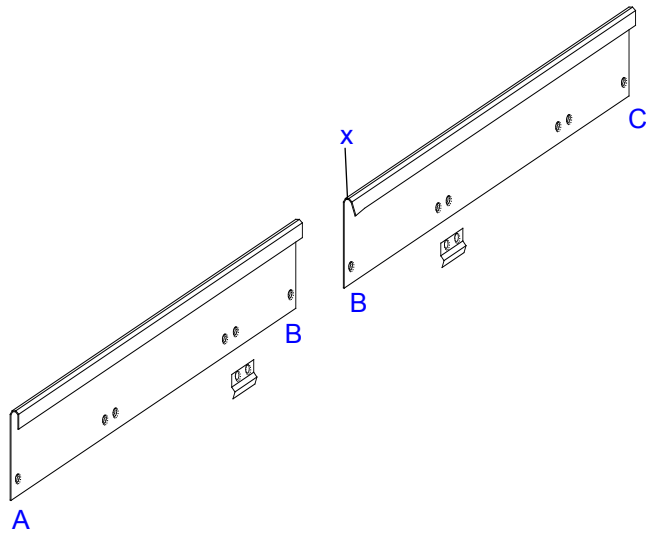
- 1 Bolt on back bottom rail. Push long bolts through the back bottom rail then fit a 20mm nylon spacer before passing through the leg and fitting nuts on the inside of the frame.

**FULLY TIGHTEN  
ALL BOLTS**

Fit glass brackets as shown in the diagram below. Note one infill plate will have an enlarged lip 'x'.

1

Glass brackets must be fitted to both infill plates. **Remove the plastic protective film from both infill plates.** 10mm bolts 'E' go through the infill plate from the outside. Put a 3mm white spacer on each bolt before pushing on the glass bracket. Glass bracket is INSIDE frame and will clamp onto the glass once the glass is in place. Fit brackets onto both infill plates.

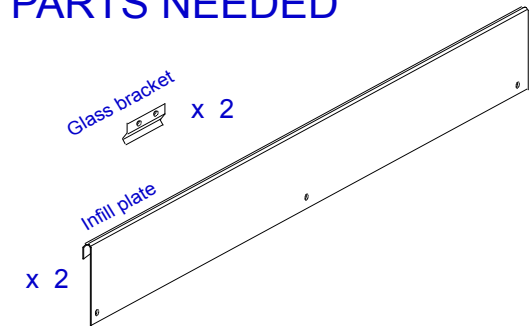


Completed bracket inside Growhouse



White spacers on infill plate

## PARTS NEEDED

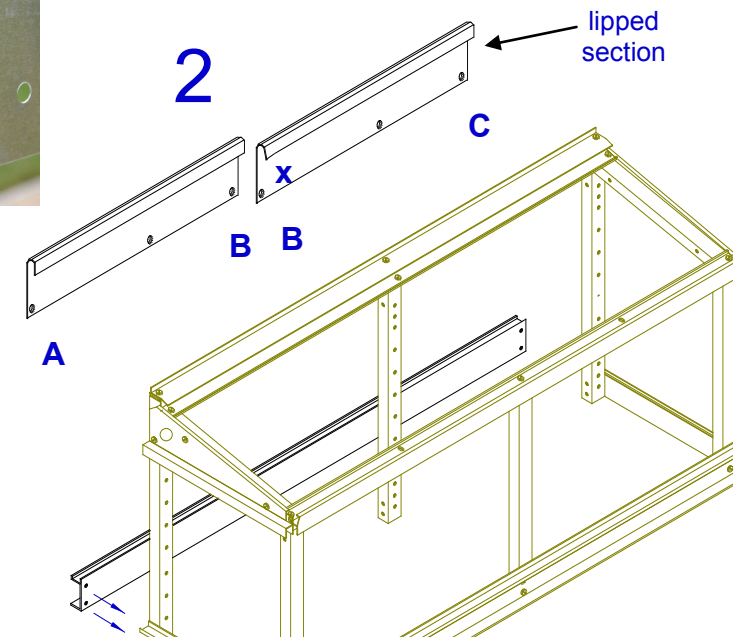


### YOU ALSO NEED:

10mm BOLTS	4
30mm BOLTS	3
NUTS	7
20mm NYLON SPACER	3
3mm WHITE SPACER	7
Located in pack: SCREW-P10	

2

Take the first infill plate (without the enlarged lip 'x') and push over the upstand on the back rail, it will cover half the length of the frame. Push a 30mm bolt through hole 'A', then fit a white 3mm long and a 20mm nylon spacer. Push the bolt into the frame and fit a nut and fit a nut on the inside of the frame. Take the second infill plate and place it over the upstand on the back rail, overlapping the first plate so holes 'B' align. Bolt through 'B' (rear centre leg) and 'C' remembering to add both spacers.



1

**FIXING TO FLOOR (OPTIONAL KIT)**

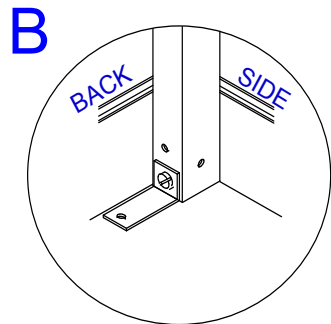
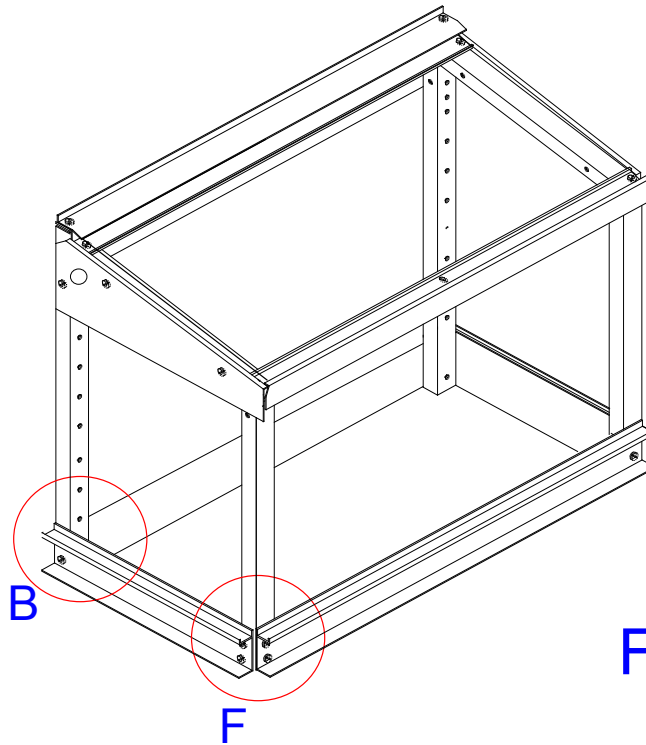
Fit the 'L' brackets to the front legs using a nut and bolt.

Turn the framework upside down and fit the 'L' brackets to the back legs using a nut and bolt.

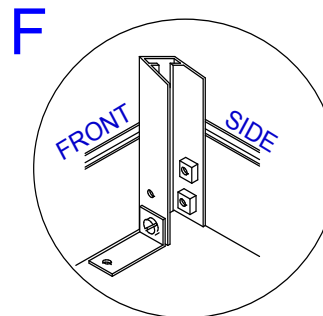
**PARTS NEEDED**

Ground Fixing Pack FR-AKG  
(Optional)

**WEAR APPROPRIATE  
SAFETY EQUIPMENT  
WHEN DRILLING OR  
HAMMERING**



INSIDE VIEW OF BACK  
LEG SHOWING FIXING



INSIDE VIEW OF FRONT  
LEG SHOWING FIXING

2

Place the framework in its final position and drill through the bracket with a 6mm masonry drill bit, to a depth of 35mm. Insert the red rawlplug, through the bracket and into the concrete.

Using a woodscrew, screw through the 'L' bracket and into the rawlplug.

Repeat for other brackets.



Completed front bracket

**GROUND FIXING KIT (FR-AKG)  
RECOMMENDED IN WINDY  
AREAS OR FOR VERY WINDY  
AREAS ALSO FIT EXTREME  
WEATHER KIT (FR-EX)**

Models have 2 standard + 2 wide shelves.

### FITTING



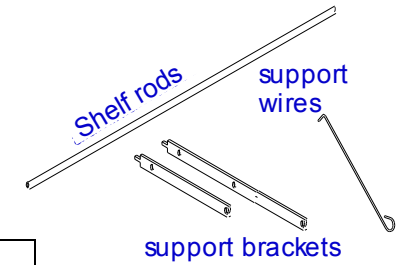
Hook support wire into top hole, then swing shelf upward into the adjacent hole below.

**1** Lightly tap rawlplugs into both ends of the tubular aluminium shelf rods with a hammer.

**2** Slide the two hooks onto the tube, as shown then screw the support bracket on at each end.

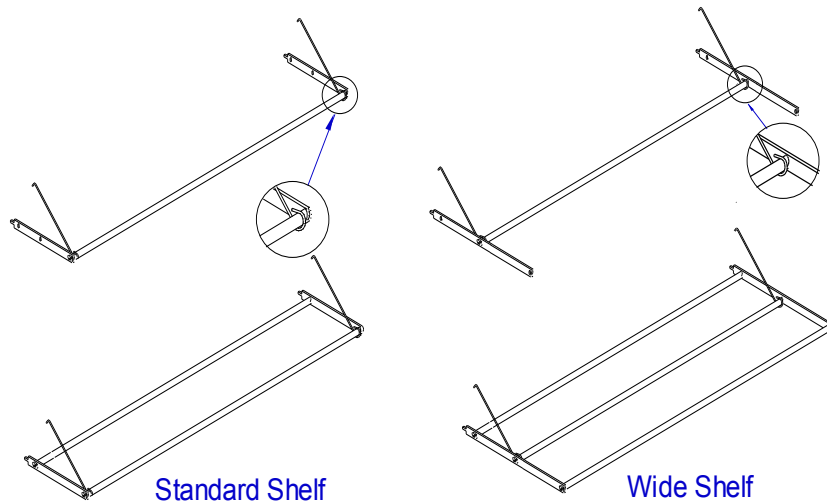
Fit the other rods to the shelf.

### PARTS NEEDED per shelf



#### YOU ALSO NEED PER SHELF ROD:

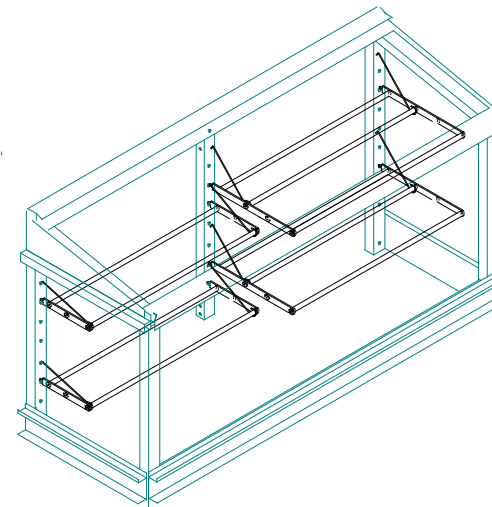
RAWPLUGS	2
1" WOOD SCREW	2
Located in packs: S-V	



Standard Shelf

Wide Shelf

Note: A Pozidrive screwdriver will fit the screws best

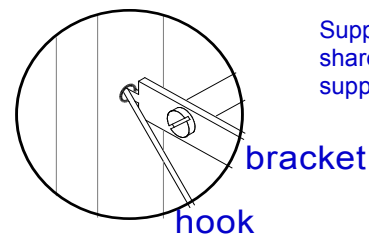


When the shelves are not needed they can either be removed or they can be unhooked from the lower fixing hole and hung flat against the back using the wires.



Bottom shelf hung flat against the back

### HALF LENGTH SHELF FITTING

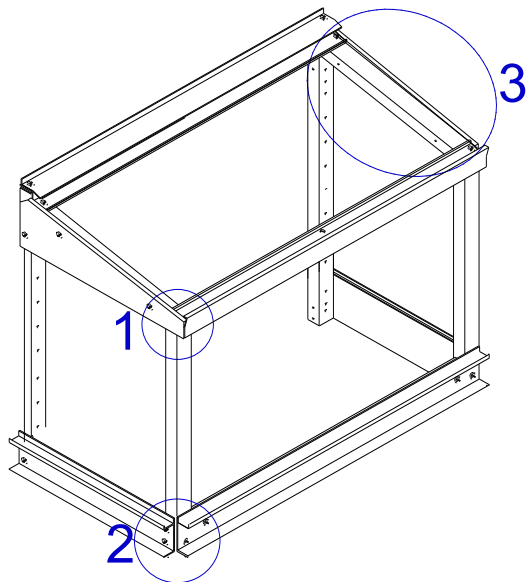


Support wires can share same hole as support bracket

bracket

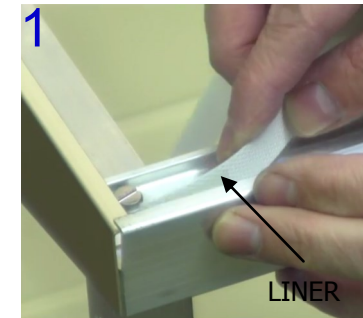
hook

# FITTING THE CHANNEL LINER



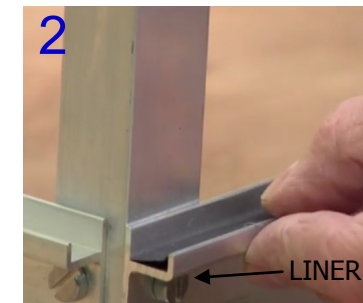
**TIP:** Before sticking the tape, clean the aluminium of any oil traces to promote adhesion.

**1** The white liner (W66-2M) fits on the inside vertical face of top FRONT rail only. This is a loose fit so strips of double sided tape are included to secure it until the glass is in place.

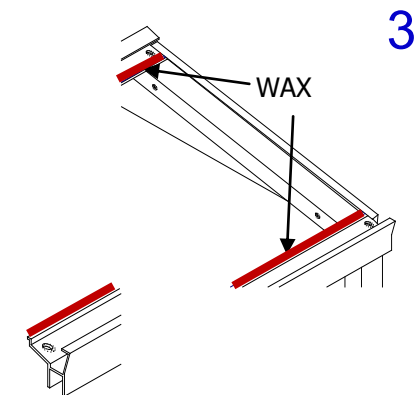
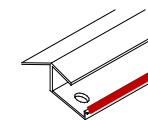


**2** The black plastic liner (W65-5M) goes in the FRONT bottom rail only. Using the strips of double sided tape press liner down so that it LIES FLAT at the bottom of the channel - trim with a knife if necessary.

THE DOORS WILL NOT SLIDE PROPERLY IF THE LINER IS NOT FLAT



**3** To make the top glass slide more easily, rub candle wax onto the glass bearers. Also wax the black and white liners.

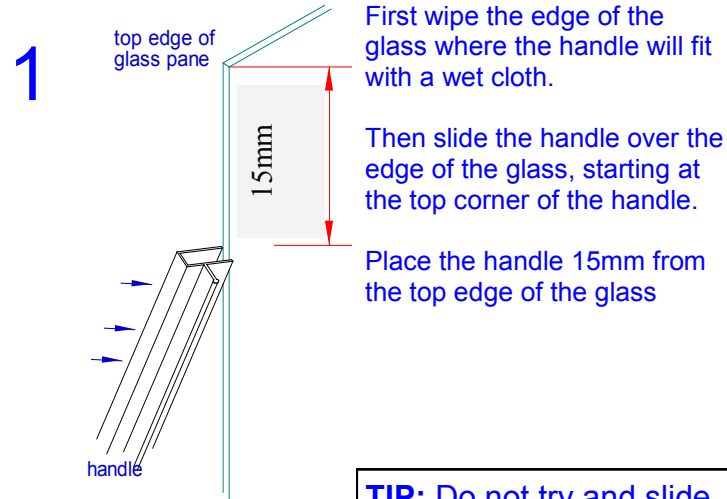


# FITTING THE HANDLES

When fitting the handles, place the glass on a table or timber battens. Never place the glass directly onto concrete or slabs.

**WARNING!** Toughened glass if broken will fragment safely. If the edges are knocked or chipped the glass will spontaneously fragment. This is a natural occurrence due to the toughening process. Care should be taken when moving or cleaning, not to damage the edge of the glass.

When placing the glass in the frame, ensure that the glass is securely placed in the runners before letting go of the glass.

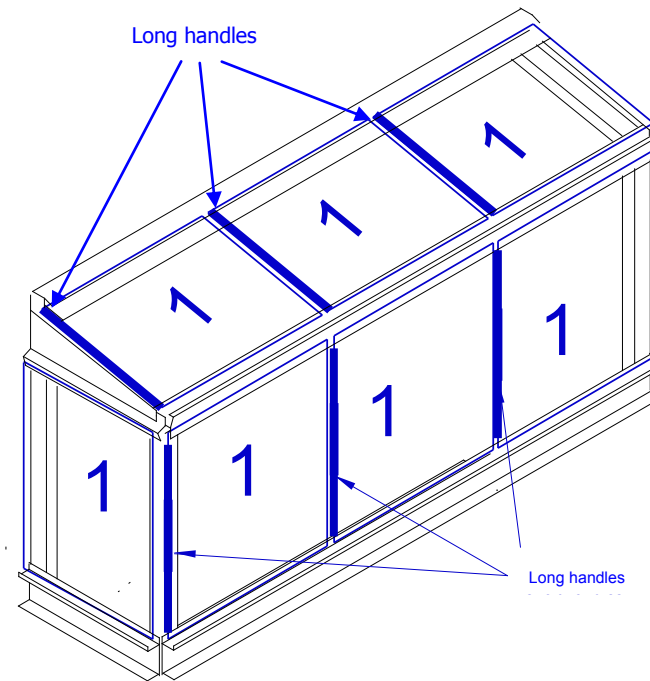
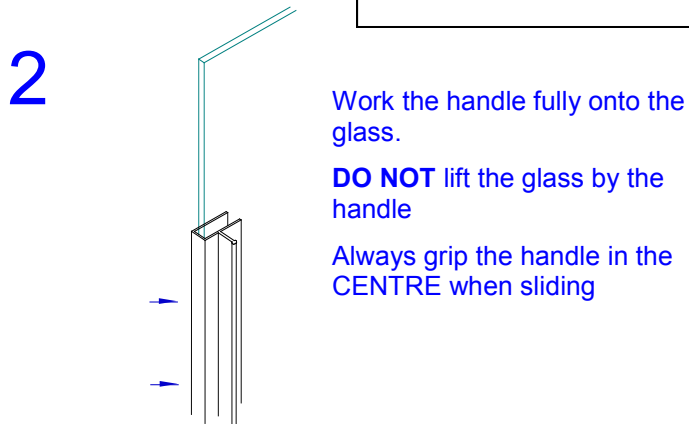


GLASS	SW3	SB3
610mm x 610mm	8	11
Sheets requiring handles	6	6



Work on handle from side edge

**TIP:** Do not try and slide the handle on from the top or bottom



End glass has no handles

### FITTING HANDLES

Fit the handles to the glass before fitting into the frame (page 13). Ensure the handles are always on the left hand side of the glass.

### FITTING THE GLASS (FRONT AND TOP)

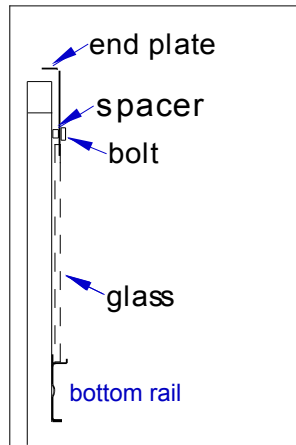
To fit the glass push the sheet into the deeper top channel, then lower into the bottom channel (C). Make sure the glass is firmly in the bottom channel before letting go. Always start glazing at the left hand end.

### END GLASS

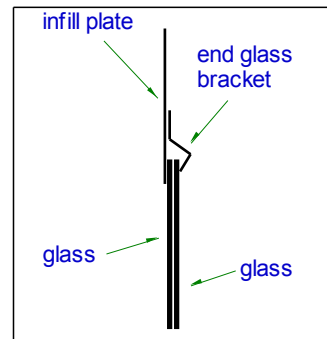
Slacken the two lower end plate bolts then gently slide the glass into place from the front corner. The glass is held between the framework and the end plate (A). The bolts on the end plates can then be gently tightened. Fit a ring wedge (D) into the bottom glass channel.

### BACK GLASS –GROWHOUSE ONLY

Slacken the four end plates bolts and gently slide the first sheet in from the rear corner. Gently slide the other sheet in from the other end. The two sheets will overlap in the centre, behind the glass bracket (B). Carefully retighten the bolts. Fit a ring wedge (D) into the bottom glass channel - 1 per sheet.



A. End glass detail



B. Back glass overlap detail



B. Glass bracket



C. Fitting the glass



D. Ring wedge  
(Located in pack: SCREW-P4/SCREW-P10)

GLASS STICKS TOGETHER	This is normally due to the handles not being put on the correct side of the glass. See page 13 for details of where the handles should be fitted to the glass.
HANDLES COME OFF	<p>As the handles are of a clamp design they can be pulled off if too much force is applied to them. If the glass has stuck together due to moisture, or if the glass does not slide smoothly, this will strain the handle and cause it to come off.</p> <p>Ensure that the channels and the glass are kept clean at all times to minimise the sliding force needed. Candle wax applied to the channel and the underside of the glass will also help the sliding action. Also check that the handles have been fitted correctly. See page 10 for full instructions.</p> <p>If handles come off frequently either purchase some new handles from Access or use a glue such as 'liquid nails' or 'no more nails' to permanently glue the handles to the glass.</p>
SHELVES WILL NOT FIT INTO THE BACK LEGS	<p>Check that the back legs have been fitted the right way round - see page 2.</p> <p>Check that dimension A = B - see page 6.</p>
FRAMEWORK MOVES AND GLASS FALLS OUT	<p>If the nuts and bolts haven't been properly tightened, the framework will quickly become loose and move, even in light winds. In strong winds the glass will fall out. Remove the glass, re-square the frame, then <b>fully tighten all of the nuts and bolts</b> with a large, flat bladed screwdriver.</p>



**PERIODIC MAINTENANCE** Every Spring take the glass out of the greenhouse and wash glass and framework with warm soapy water. When inserting the glass, always check that the glass is properly seated in its top and bottom channels before letting go of the sheet.

**CHECK THE TIGHTNESS** of all bolts regularly, especially in very windy areas or powder coated frames.

**CROP ROTATION** Suggestions for suitable crops and sowing dates given in the free Access Growing Guide

**VENTILATION** In cold weather gentle ventilation can be given by sliding the front sheets of glass to give 2-3" (5-8cm) gap at each corner.

In warmer weather allow a gap on the top sheets as well. In very hot weather open all the sheets of glass. To ensure that the correct temperature is maintained use a thermometer inside the greenhouse. You can completely remove the top sheets in summer.

**GALES** The greenhouse must be kept fully closed in rough weather.

**GLASS CHANNELS** Ensure that this is kept free from debris and allows the glass to slide smoothly. Periodically lubricate the running edge of the glass with a wax candle.

**SNOW** If snow is very heavy - avoid letting it build up on the roof

**SHELVING** Stand pot plants on saucers, or use optional shelf covers which incorporate a layer of capillary matting to absorb excess water when watering. Alternatively, stand the pots in empty seed trays.

**SITING** Site on the sunniest place available. Anything from East through South to West is suitable. If it has to face North, don't despair, it will be warmer in than outside! If you can fix to a brick or stone wall, you will get extra heat storage during the day.

**REDUCING THE LENGTH** If it is just too long for your ideal spot, it can be shortened. Re-drill the holes at one end of the rails - moving them in by the amount you need to remove. Hacksaw off the surplus aluminium and shorten the shelf rods. The glass will merely overlap more - don't try to cut toughened glass!