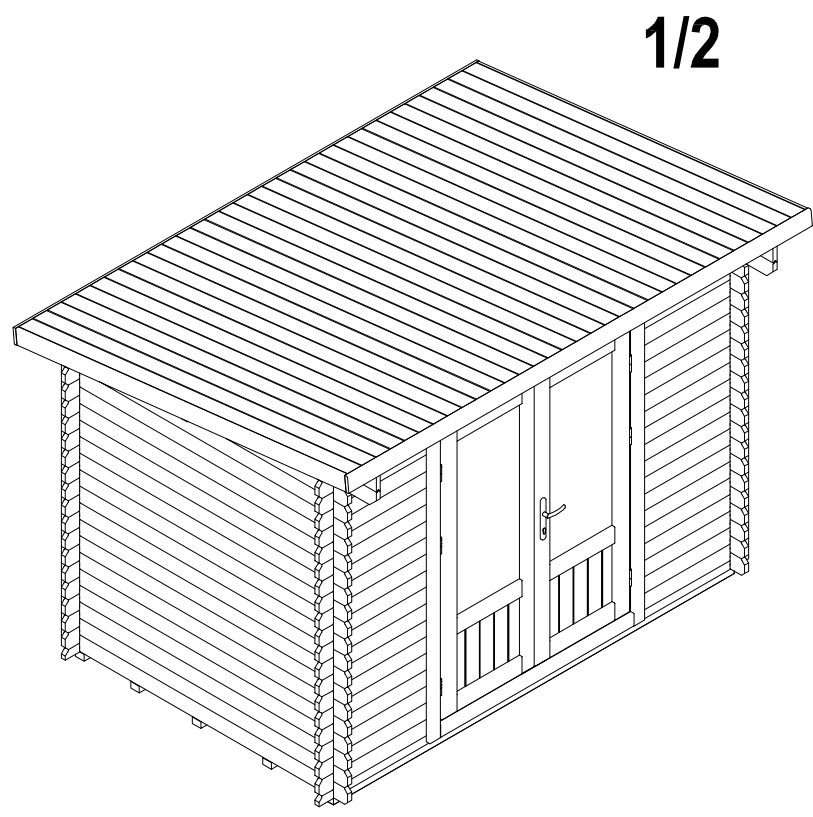
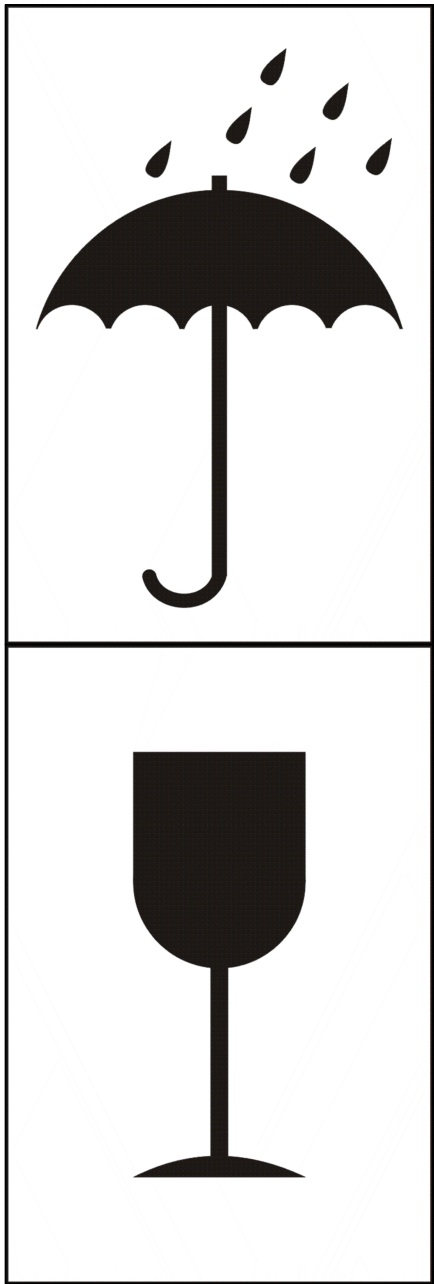
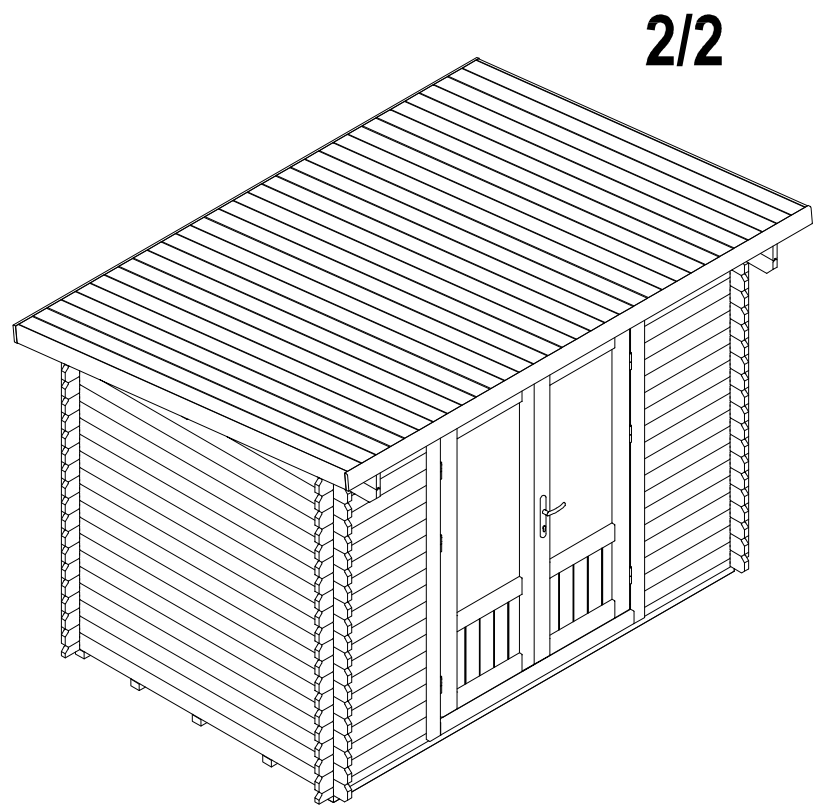
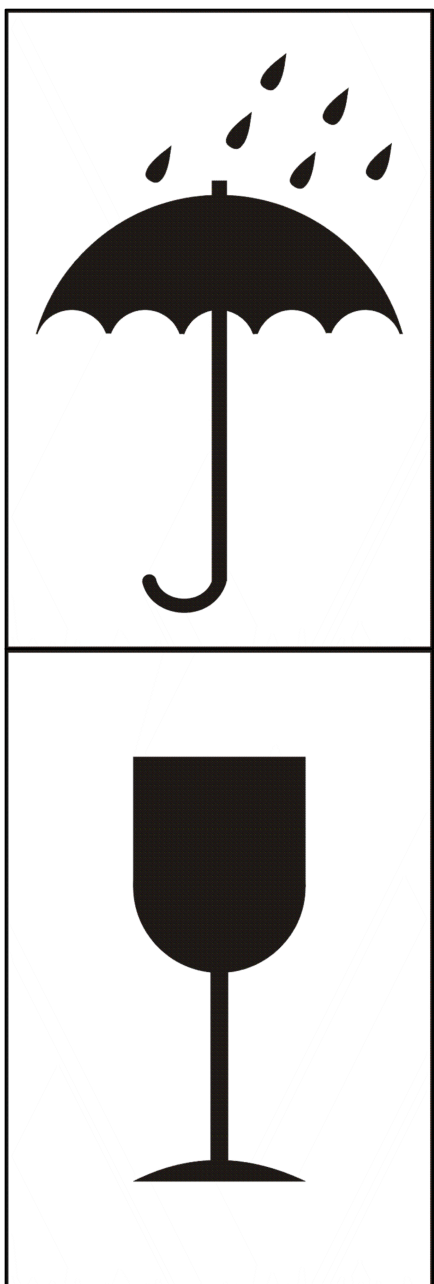


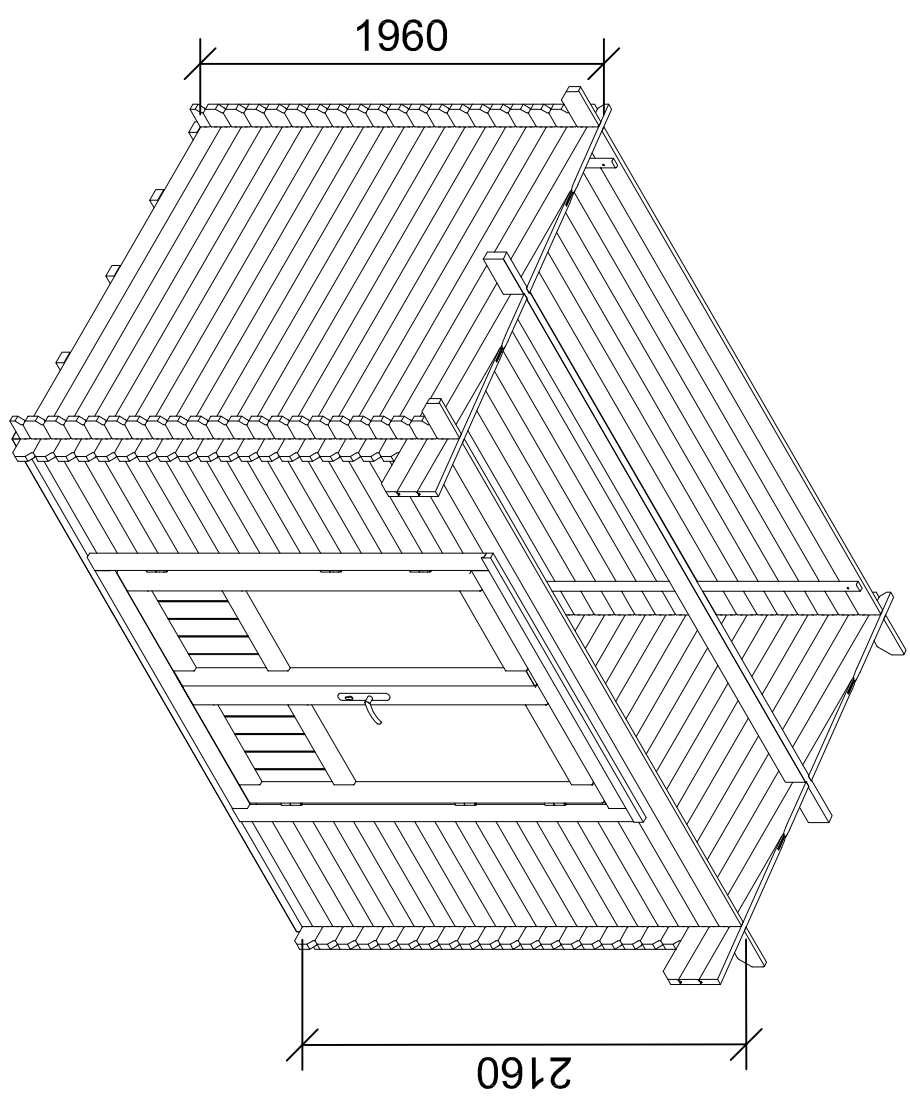
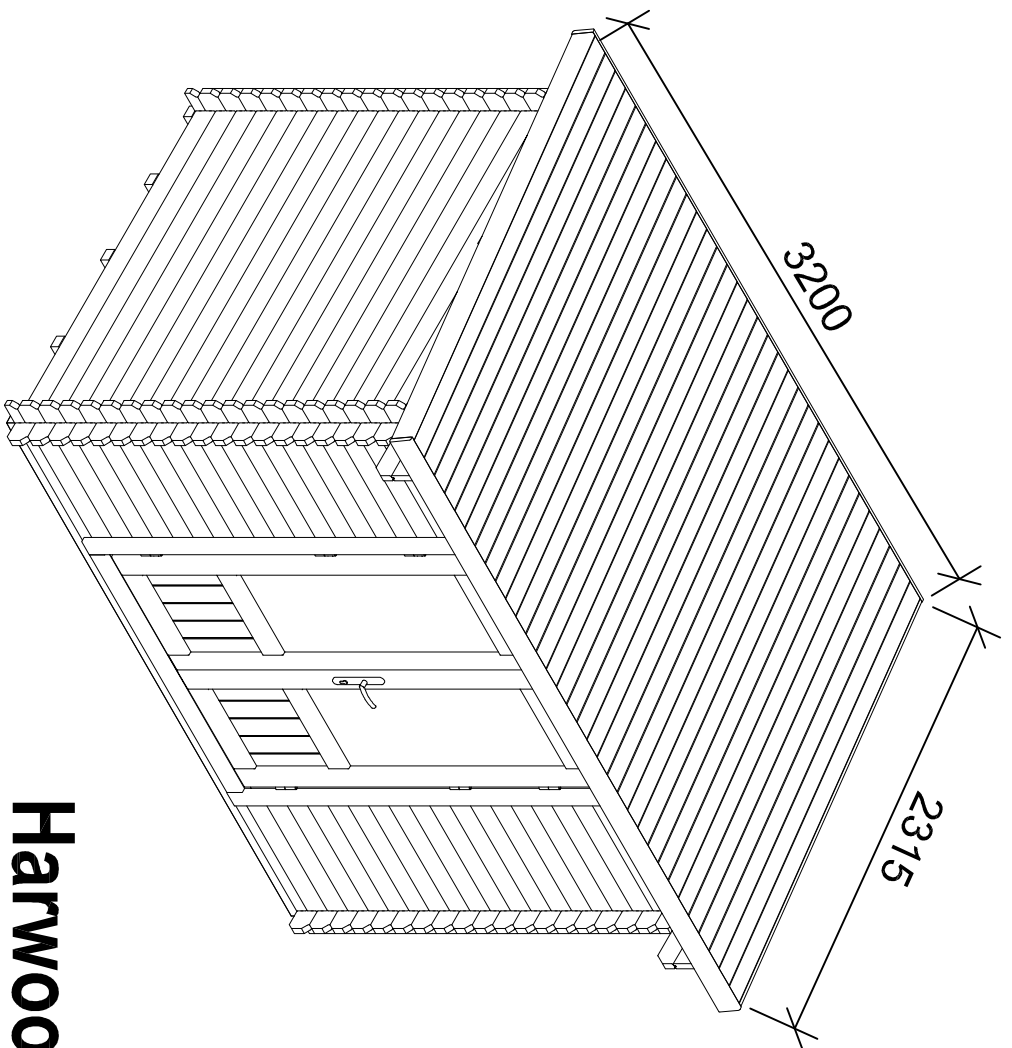
Harwood 3x2 (2020) 28mm



Harwood 3x2 (2020) 28mm

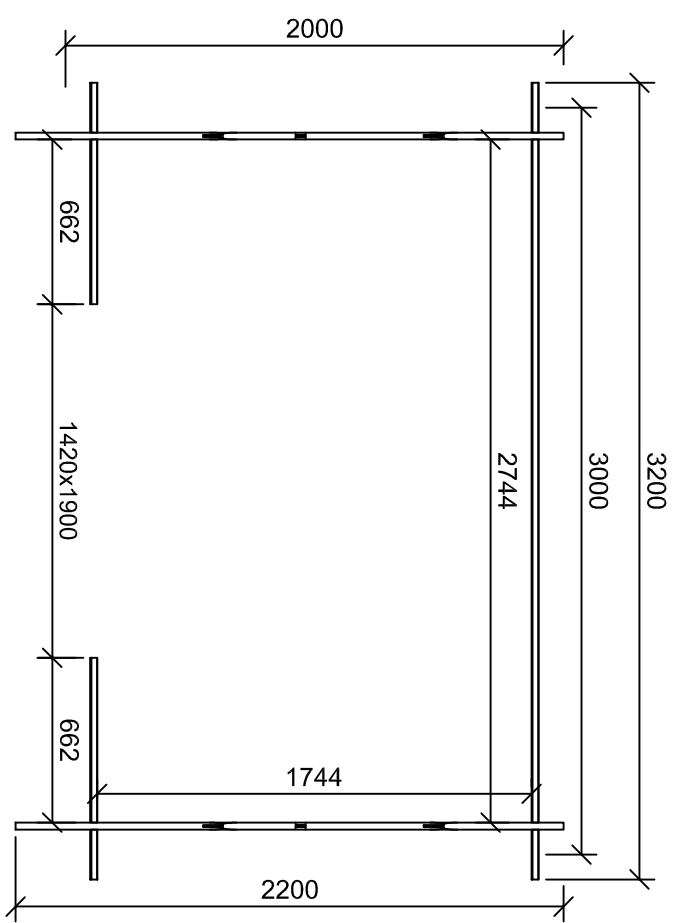
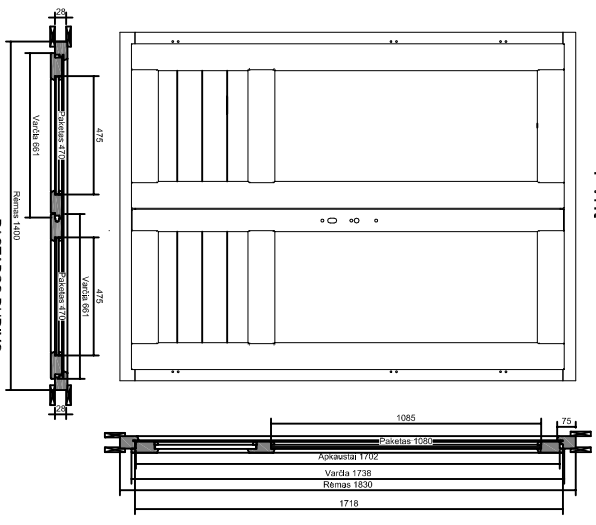


Harwood 3x2 (2020) 28mm



Harwood 3x2 (2020) 28mm

Harwood 3x2 (2020) 28mm
1 vnt



Harwood 3x2 (2020) 28mm

300x200 cm

BE 2020

28 mm 2020.01.14

-Date-

Degree <84°

Dimensions, mm

Pos.

Quantity

A

B

C

-Packing Nr.-

-Name, last name-

-Signature-

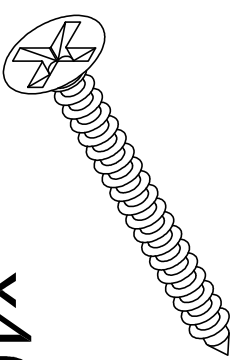
Harwood (2020)

300x200 cm

28mm x 100 2020.03.05

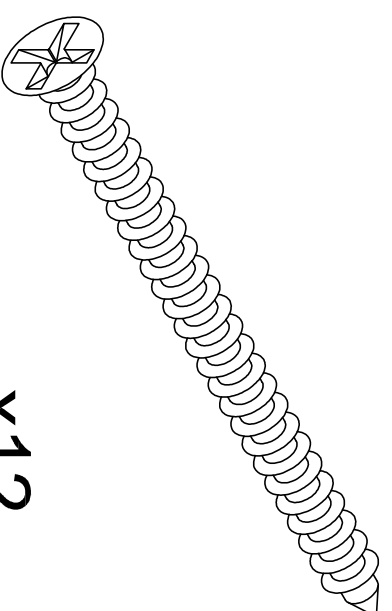
BE 2020

3.5x35 mm



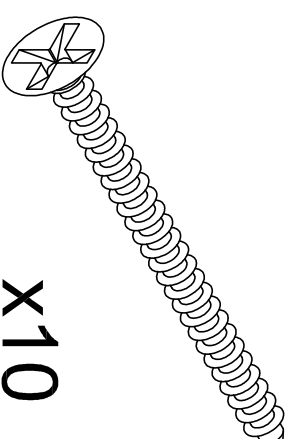
x40

5x70 mm



x12

5x120 mm



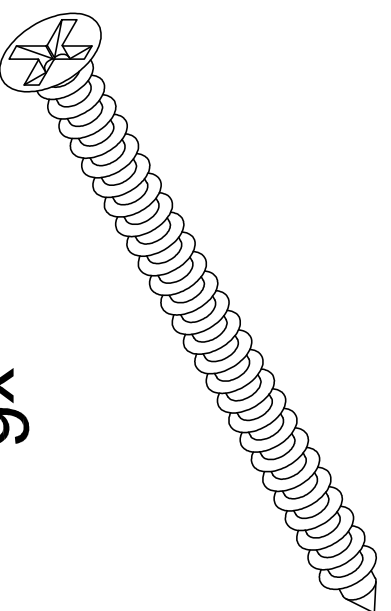
x10

2.5x50 mm



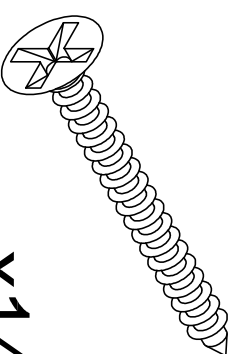
x140

6x150 mm



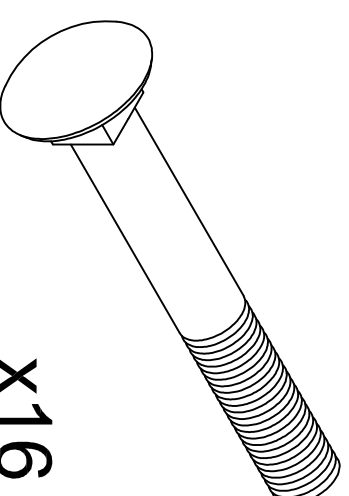
x6

3.5x50 mm



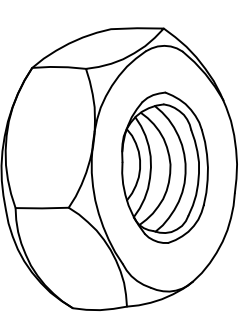
x140

8x60 mm



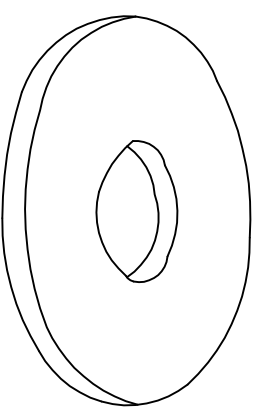
x16

M8



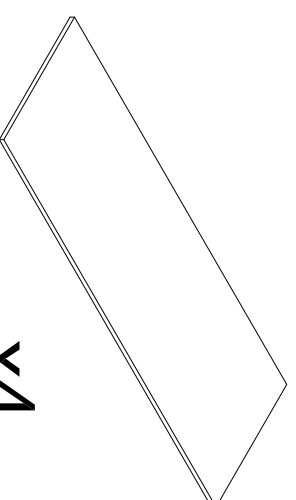
x16

M8



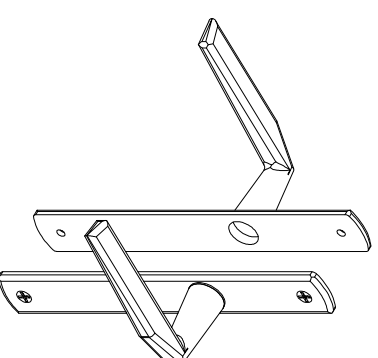
x16

3 mm

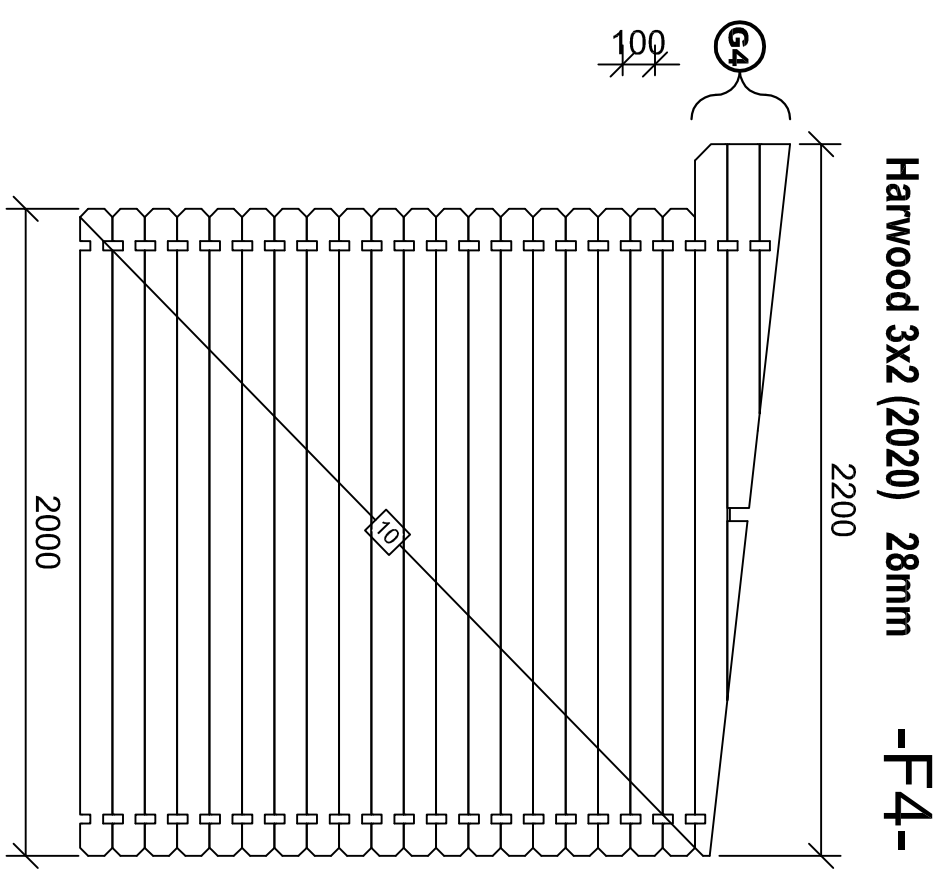
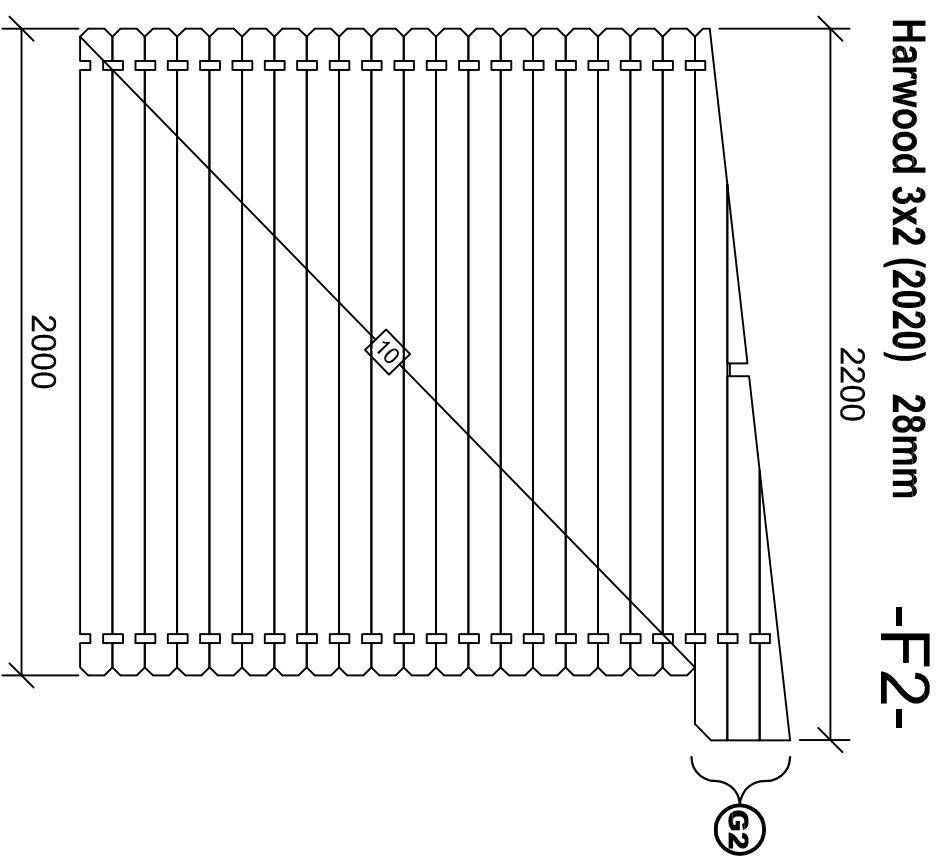
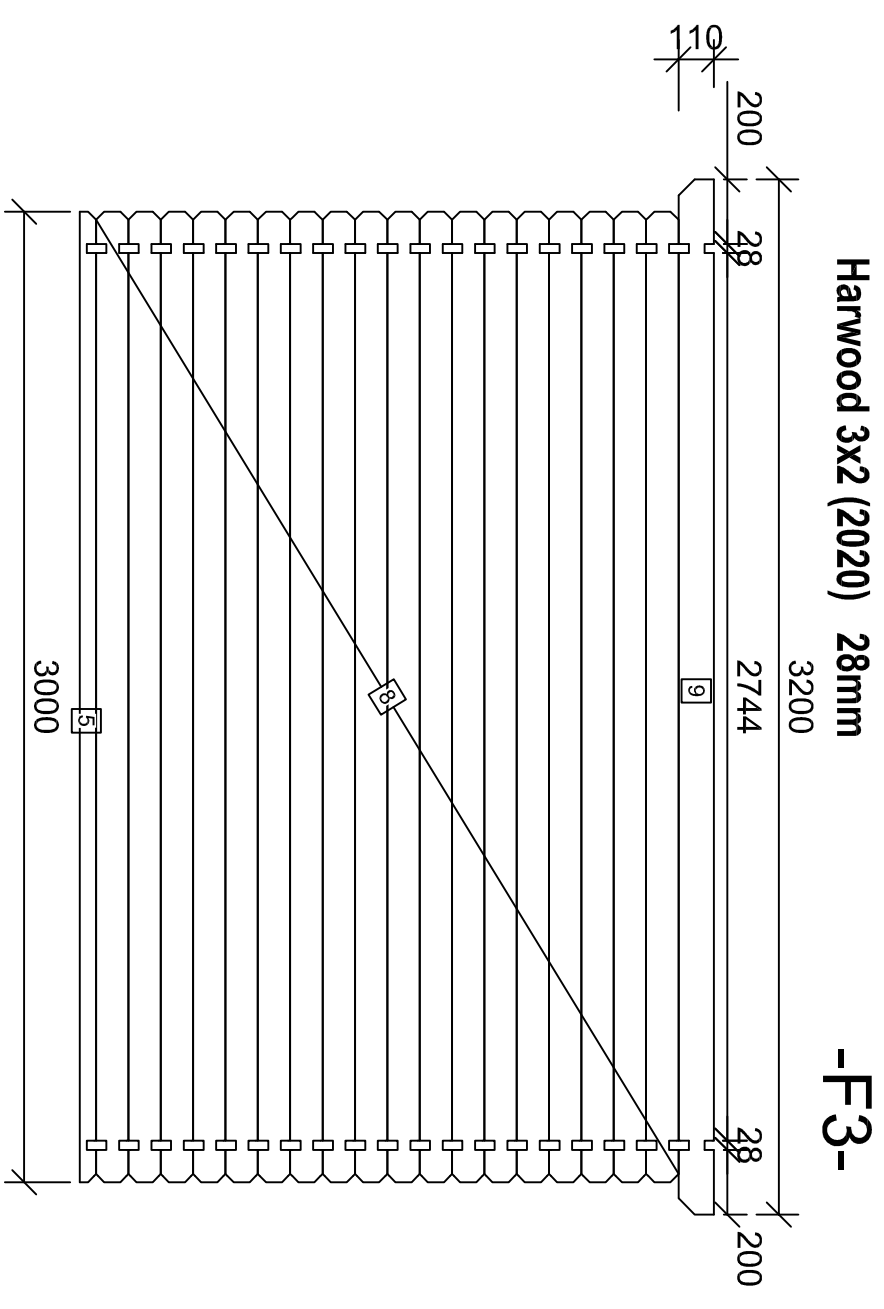
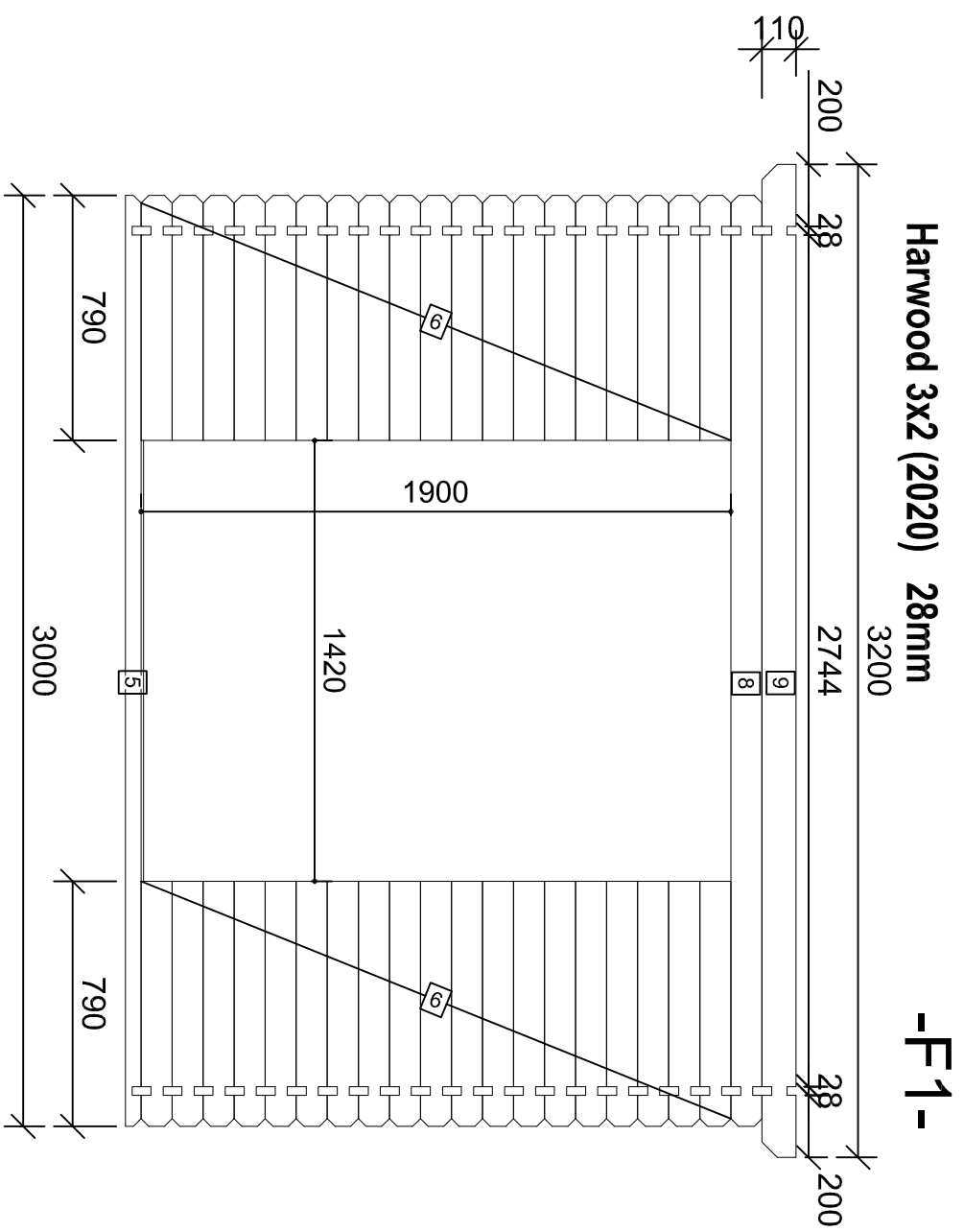


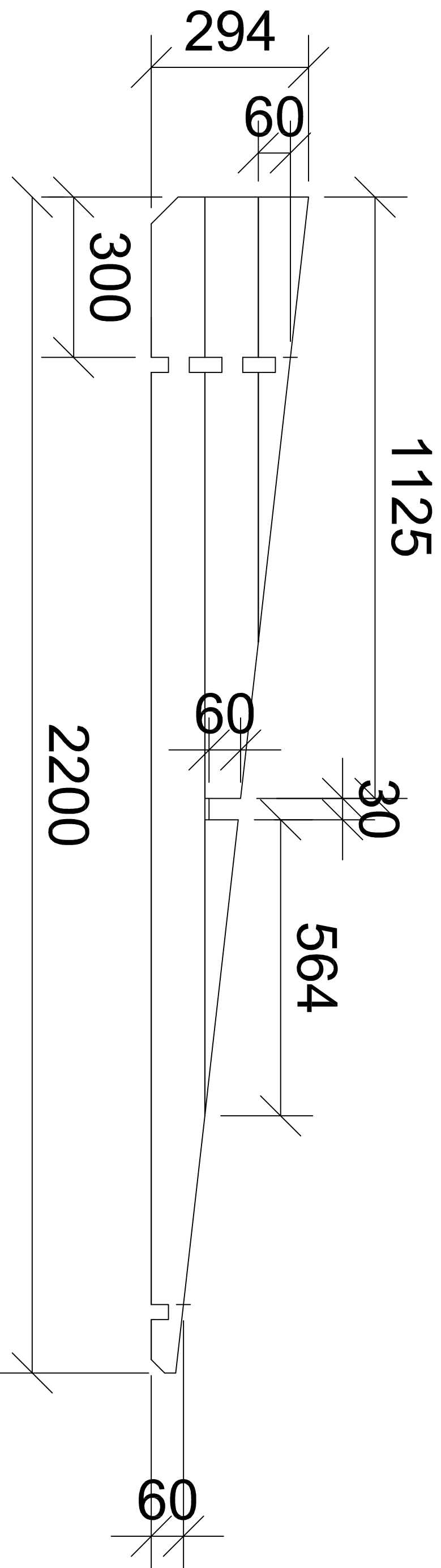
x4

x1



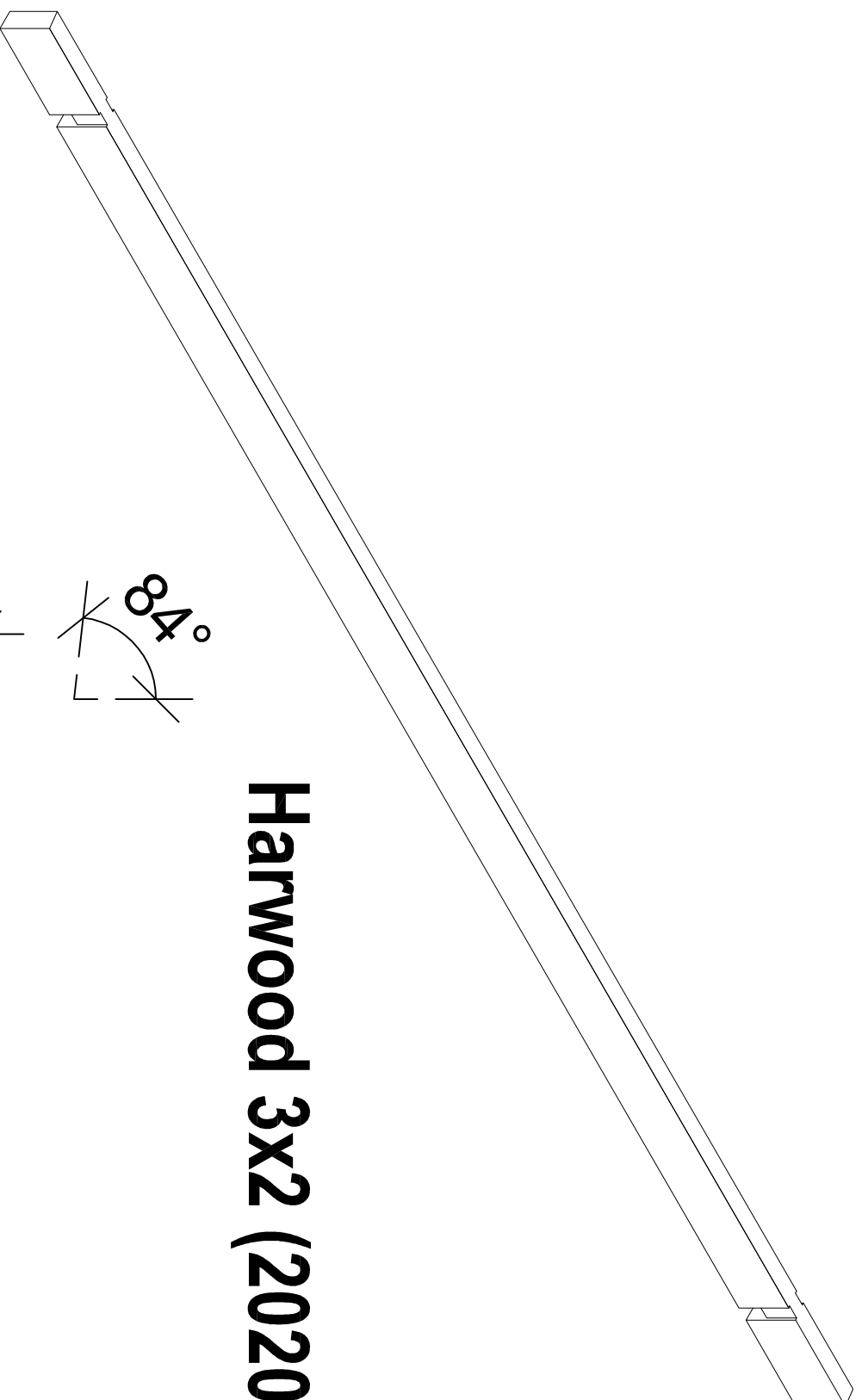
x1



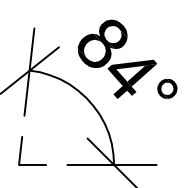


G-2,4 2vnt

Harwood 3X2 (2020) 28mm



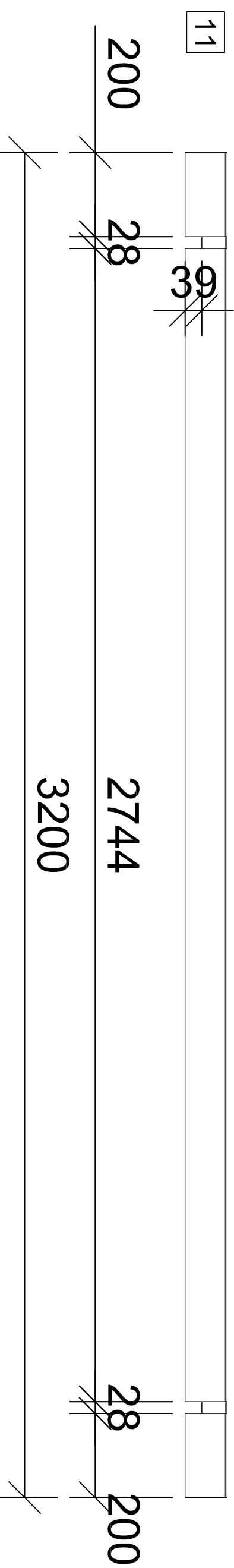
Harwood 3X2 (2020) 28mm



100

11

40



11

200

39

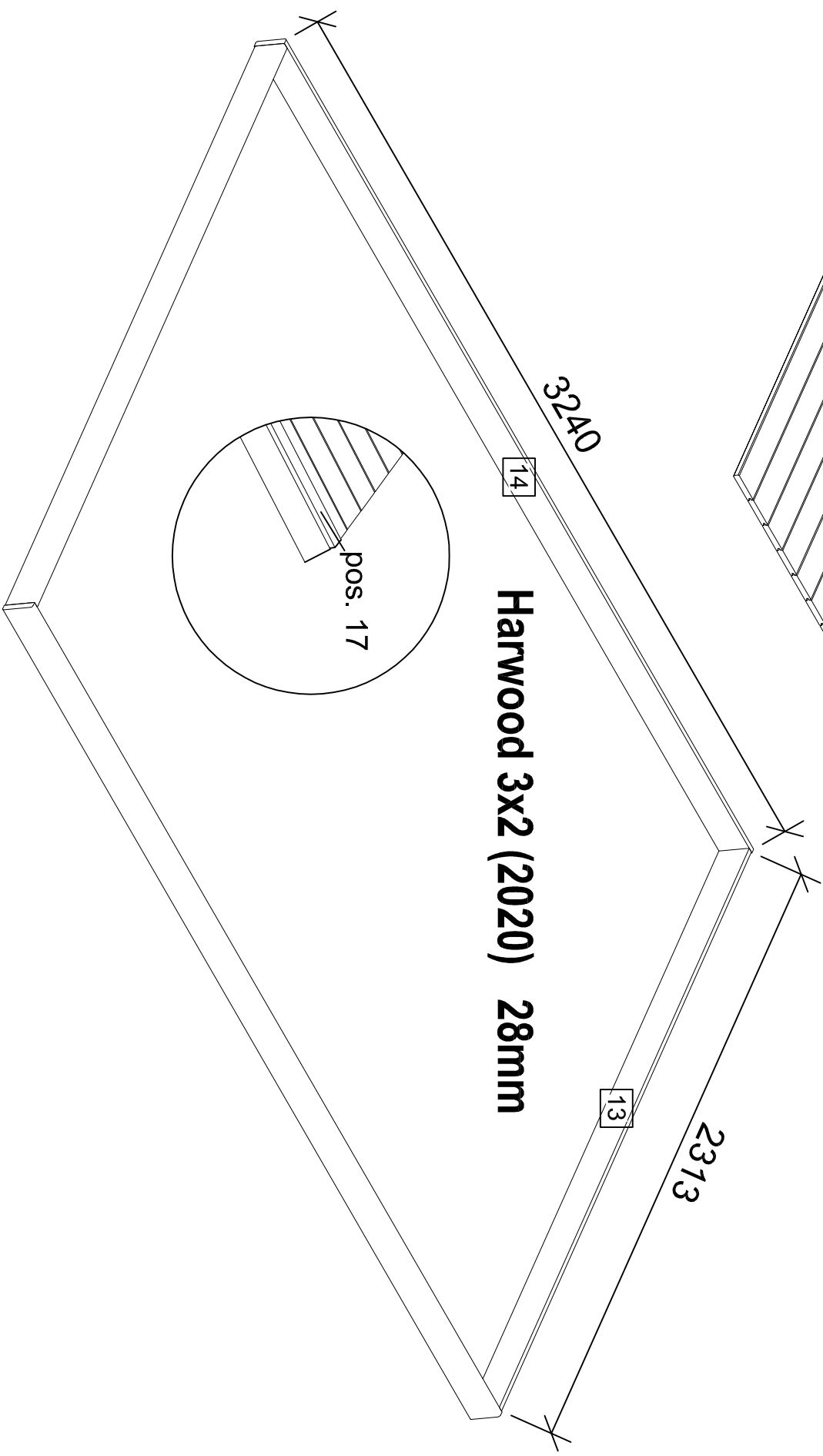
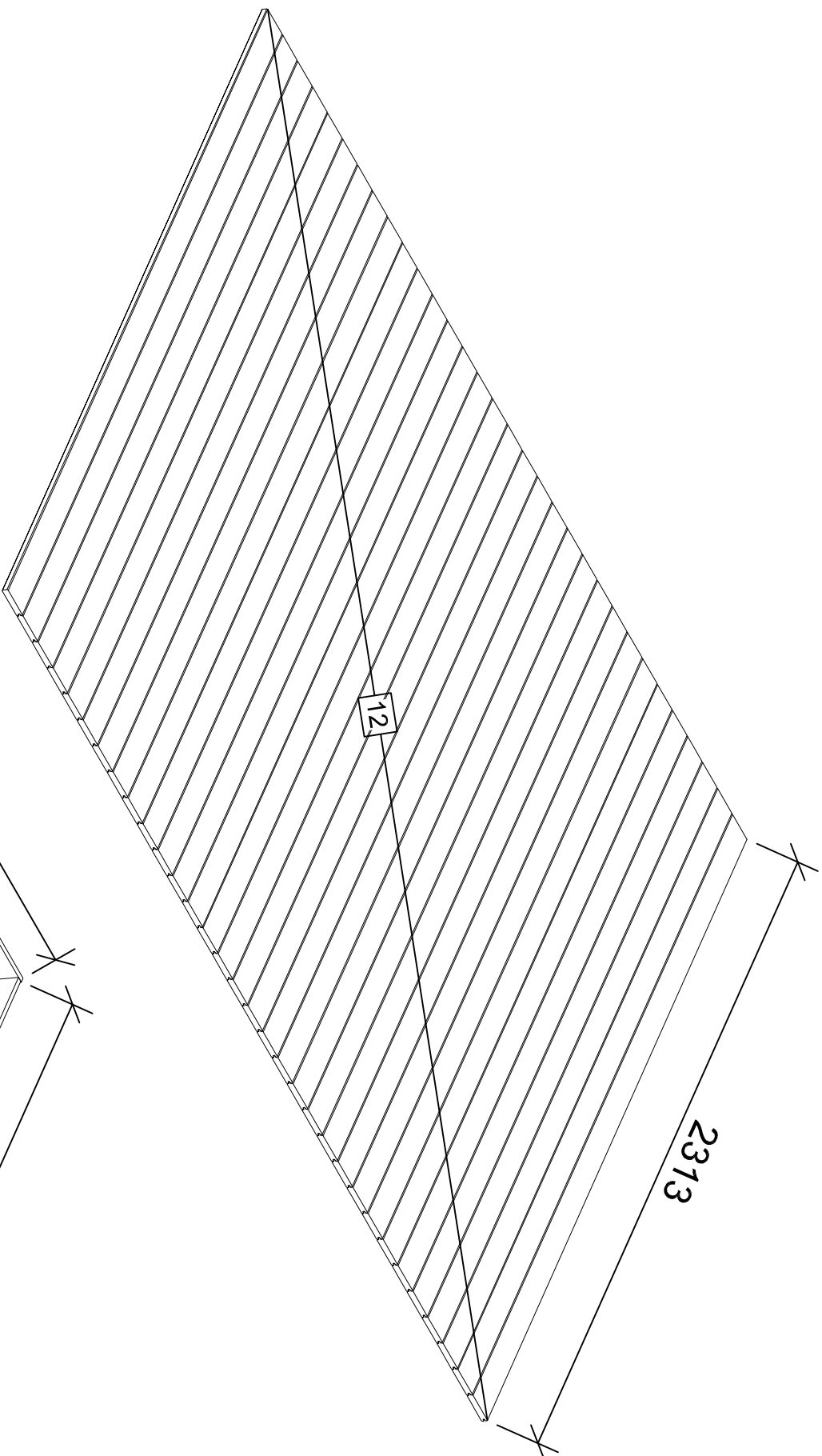
28

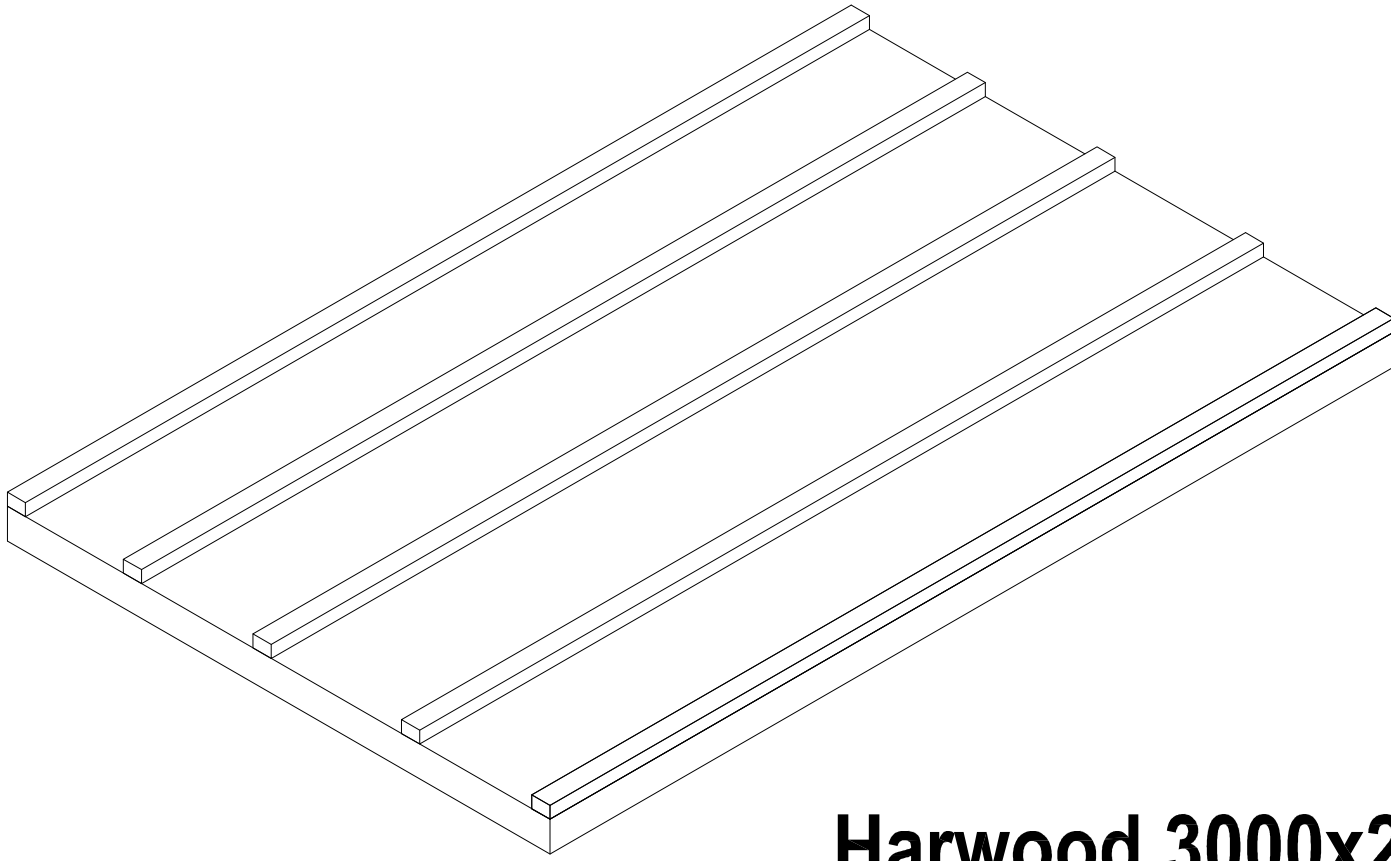
2744

28

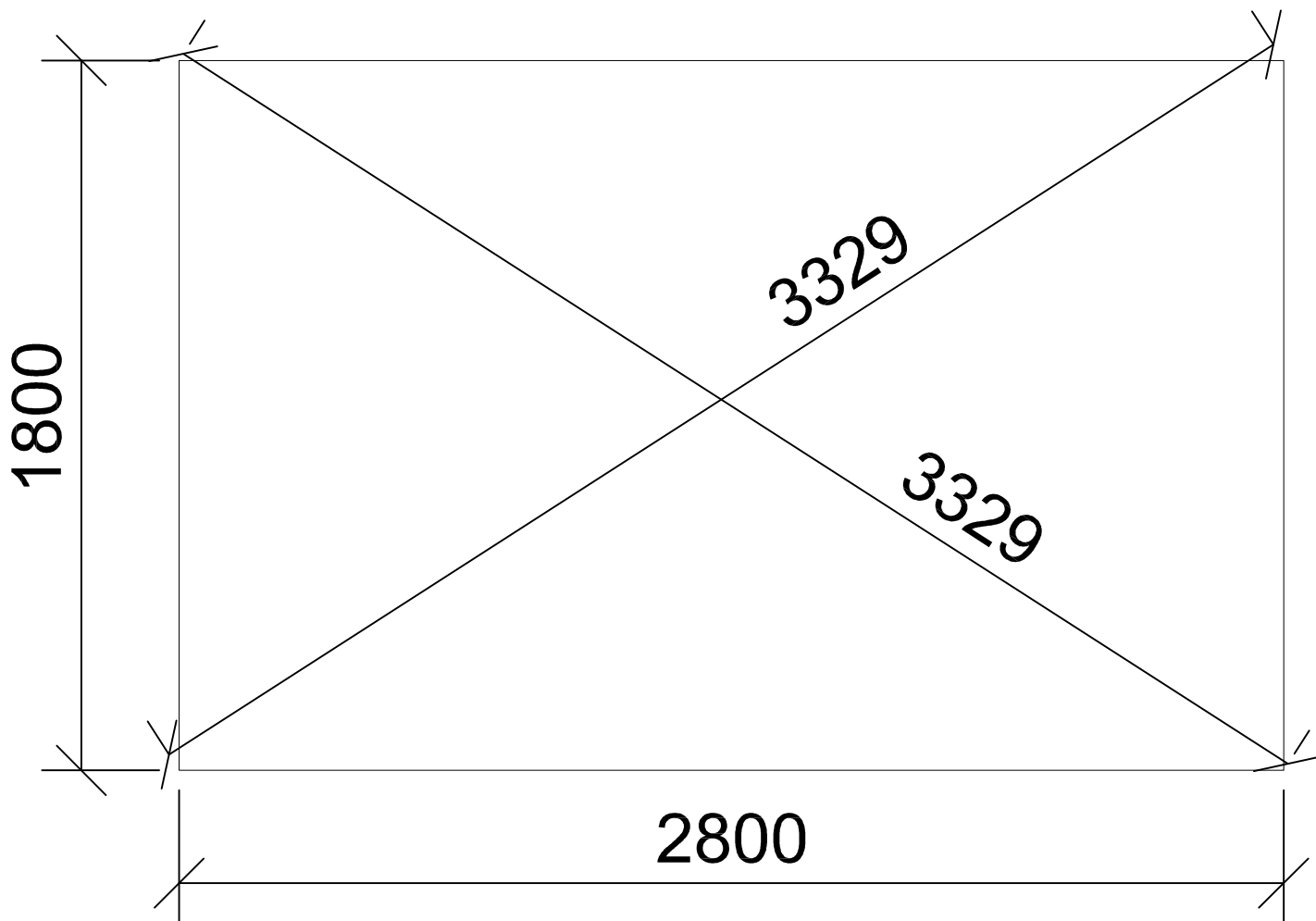
200

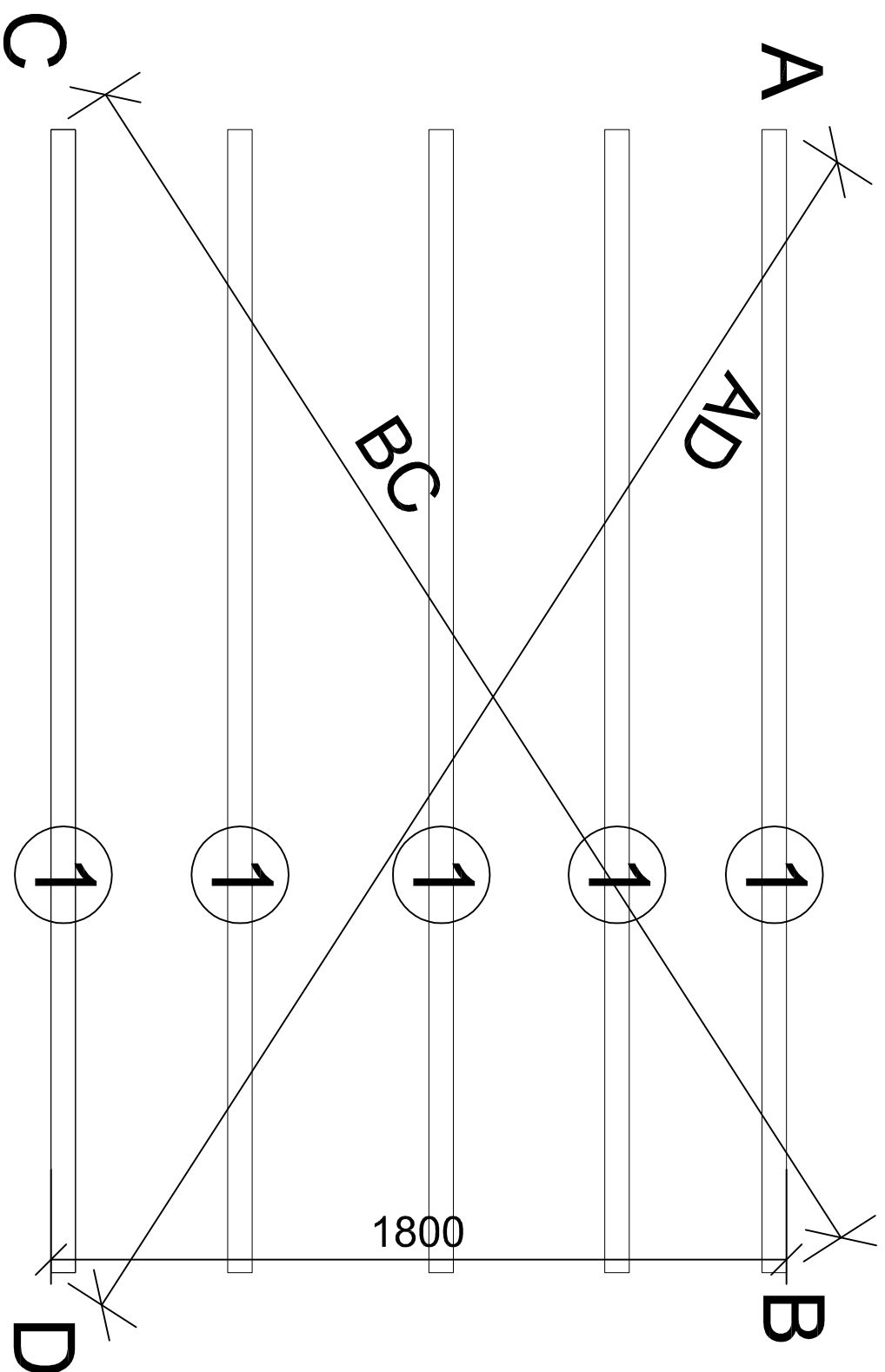
3200

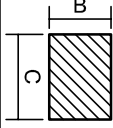
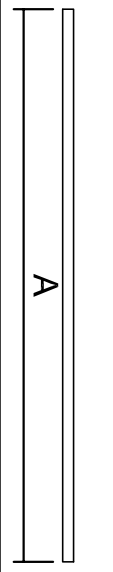


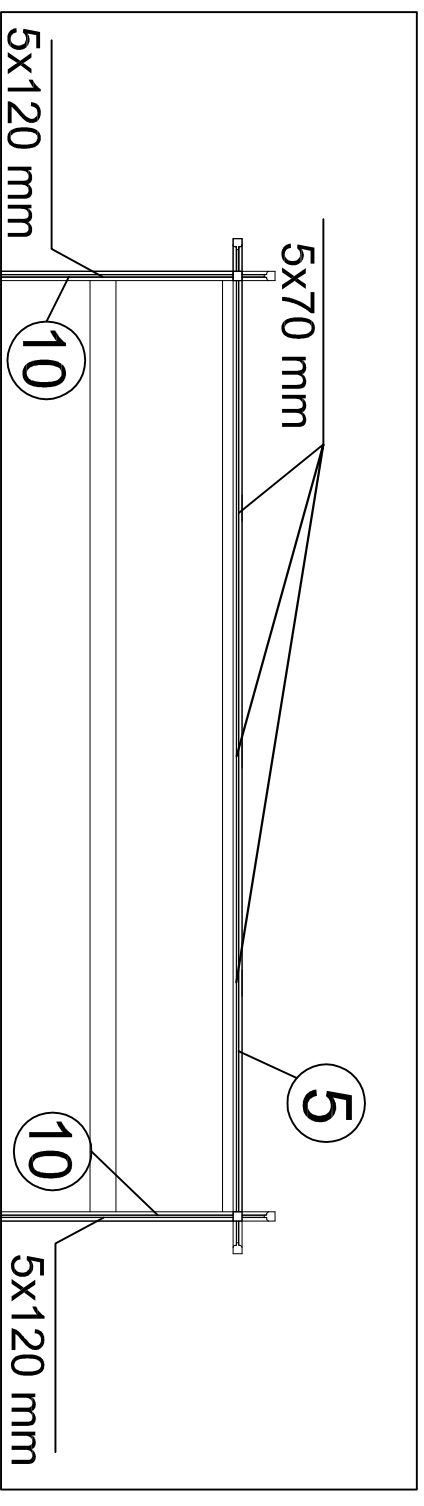
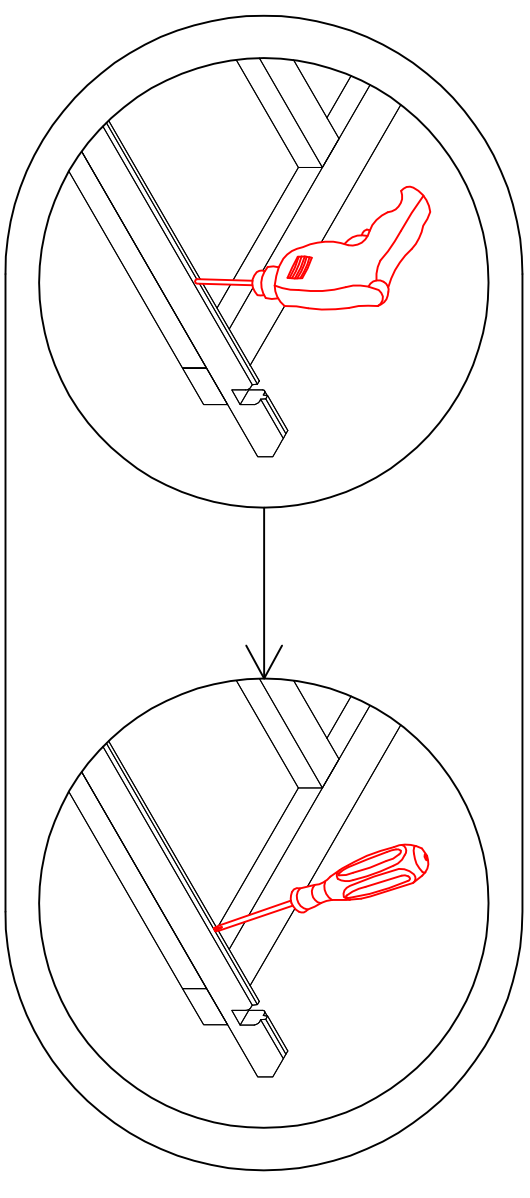
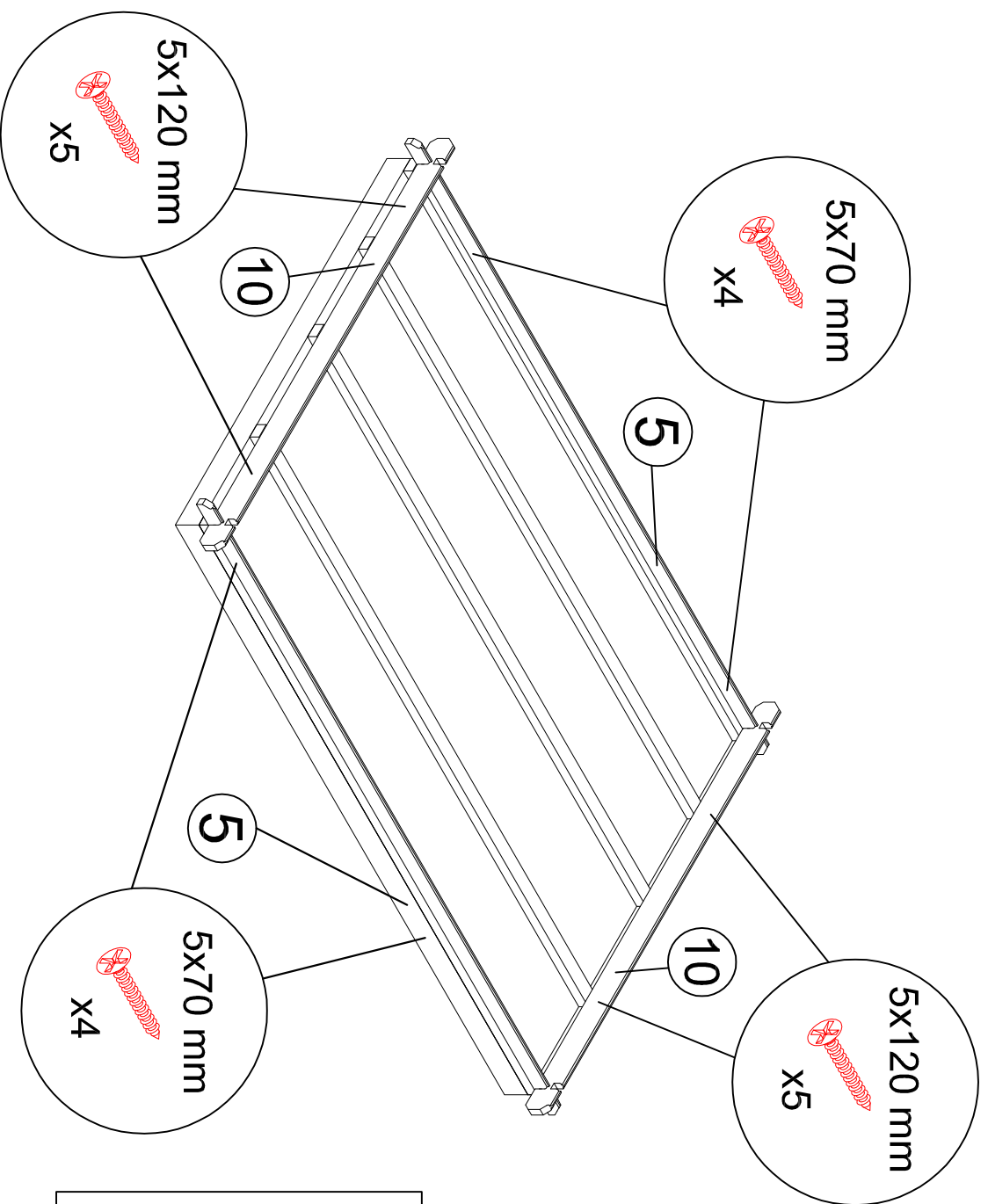


Harwood 3000x2000 (2020) 28mm





<h1>Harwood (2020)</h1>		300x200 cm			<h1>BE 2020</h1>	Date:
		28 mm 2020.03.05				
Degree <math><84^\circ</math>		Dimensions, mm			Quantity	
		A	B	C		
		2800	40	60/55	1	5



Harwood (2020)

300x200 cm

28 mm 2020.03.05

BE 2020

-Date!

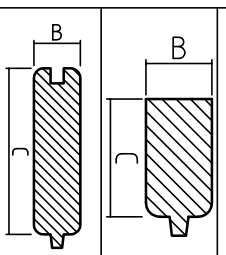
Degree <math><84^\circ</math>

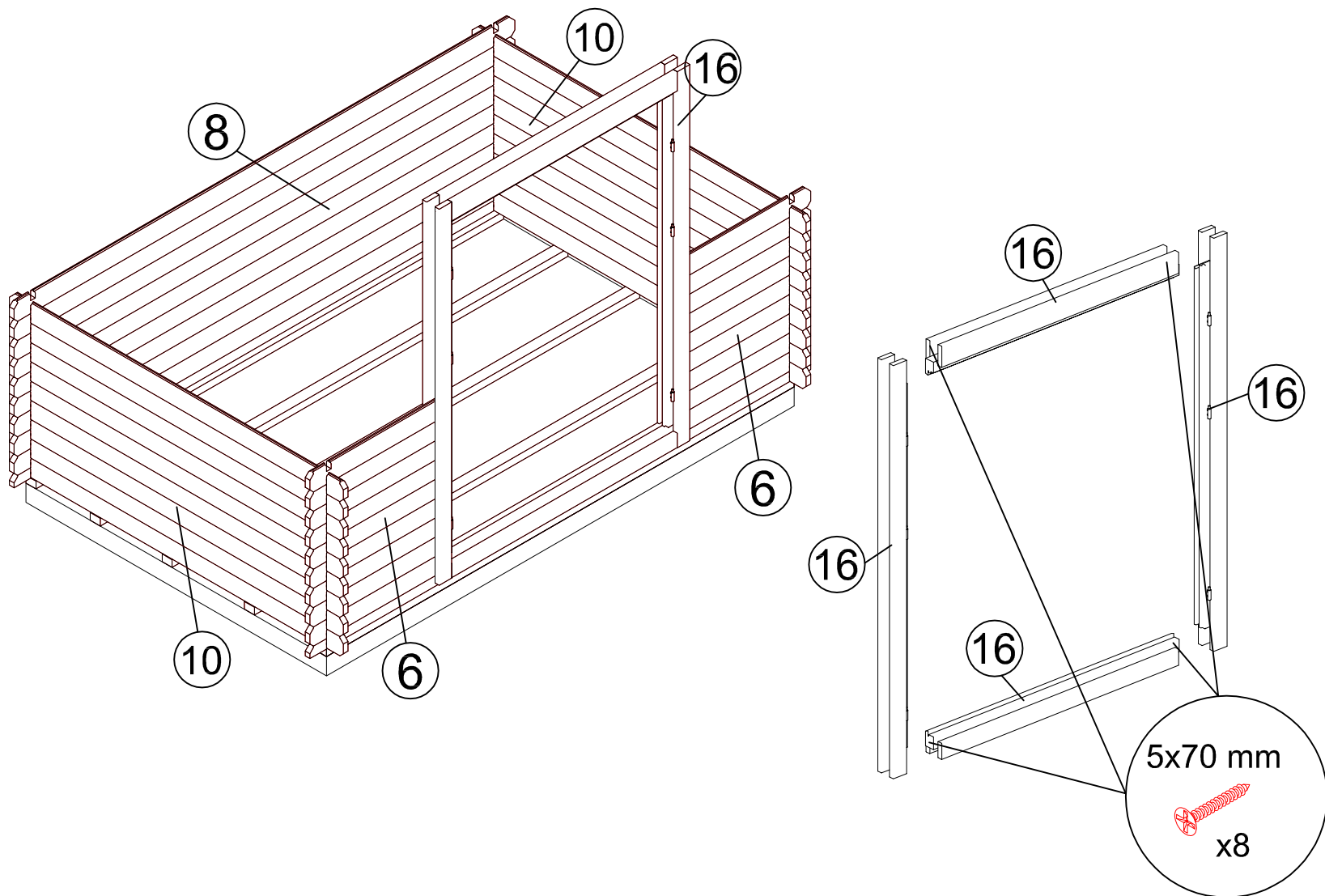
Dimensions, mm

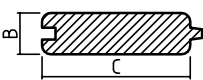
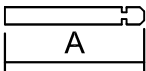
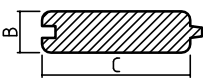
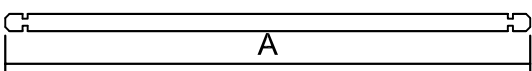
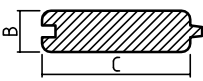
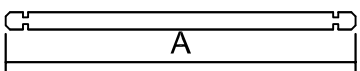
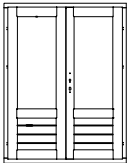
Pos.

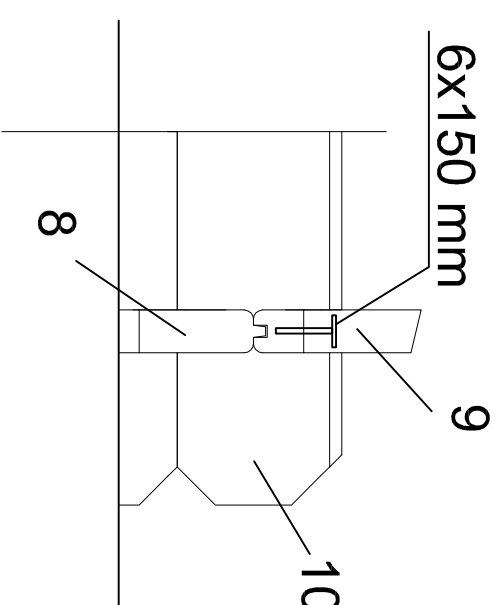
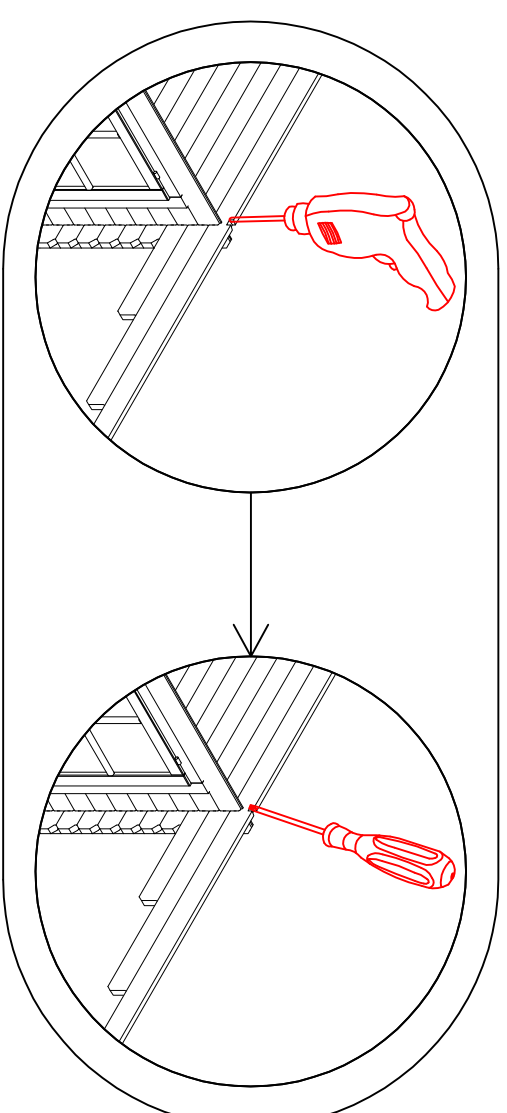
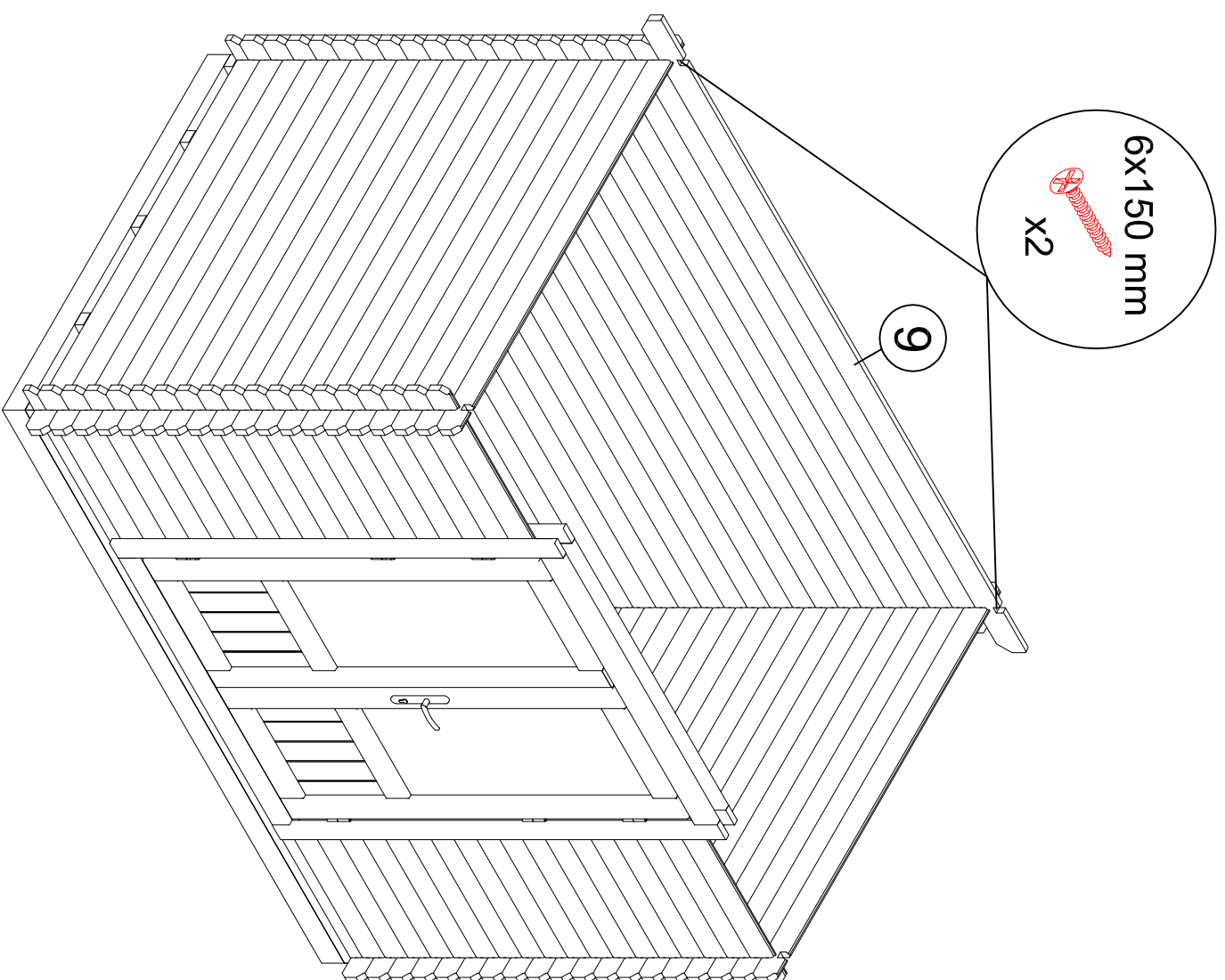
Quantity

Dimensions, mm			Pos.		Quantity	
A	B	C				
3000	28	50	5	2		
2000	28	100	10	38		





Harwood (2020)		300x200 cm			BE 2020	-Date-
		28 mm 2020.03.05				
Degree <84°		Dimensions, mm			Pos.	Quantity
		A	B	C		
		790	28	100	6	38
		3000	28	100	8	19
		2000	28	100	10	38
		1420	1900		16	1



Harwood (2020)

300x200 cm

28 mm 2020.03.05

BE 2020

-Date-

Degree <84°

Dimensions, mm

Pos.

Quantity

A

B

C

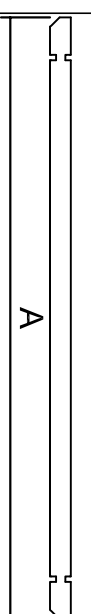
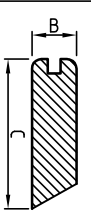
3200

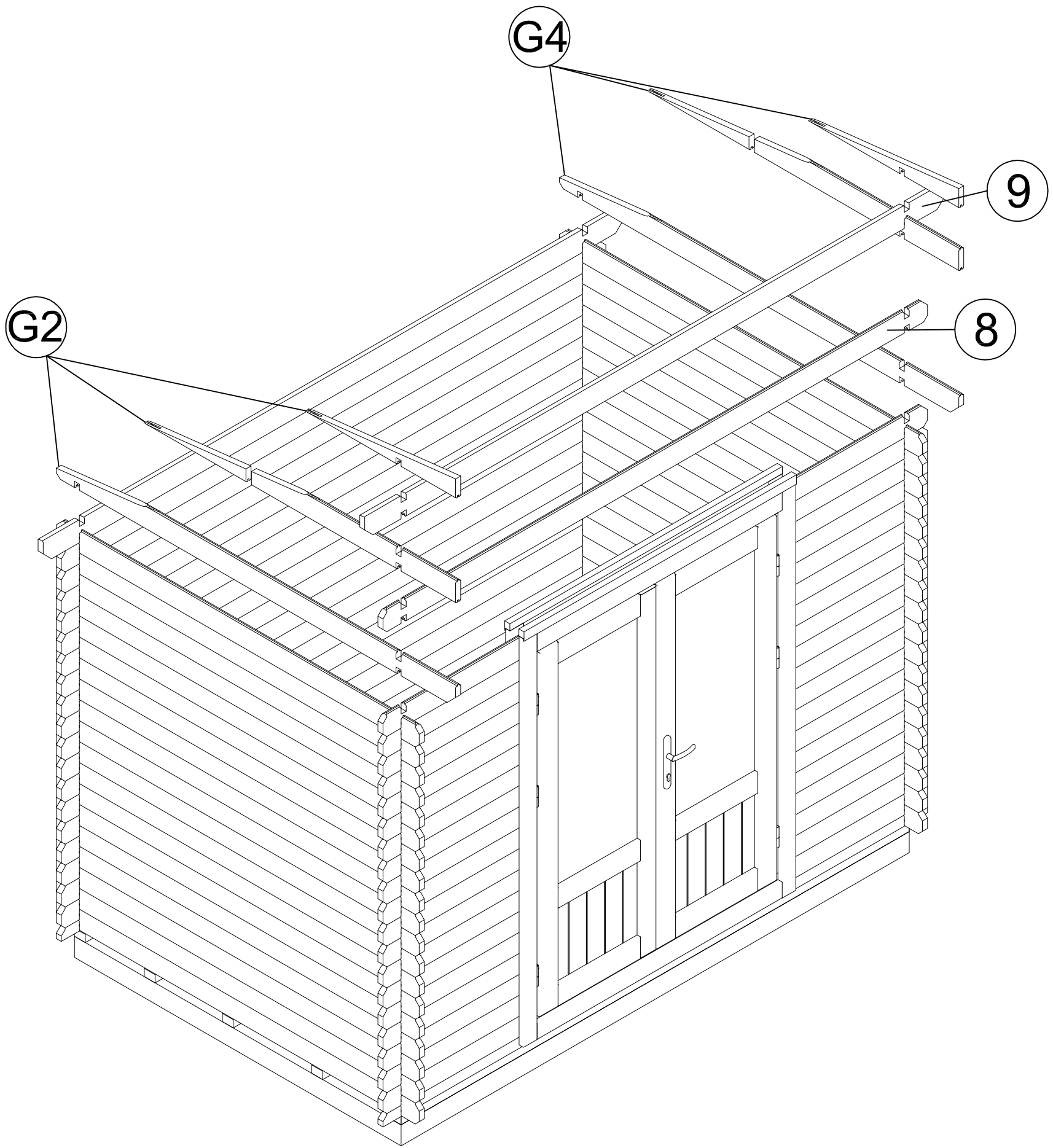
28

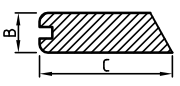
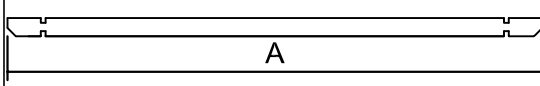
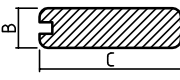
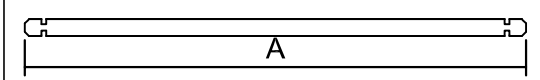
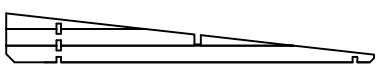
110

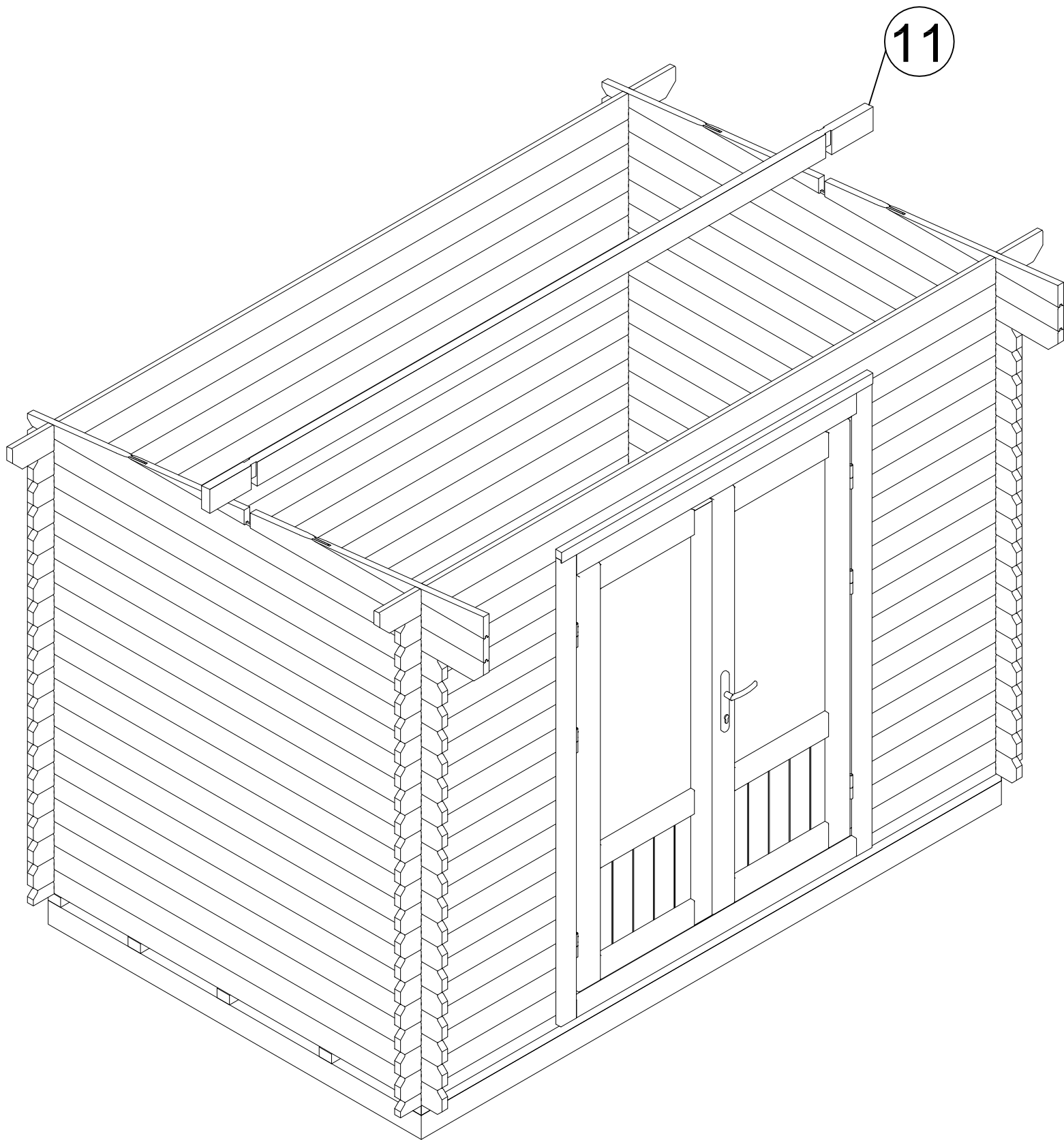
9

2

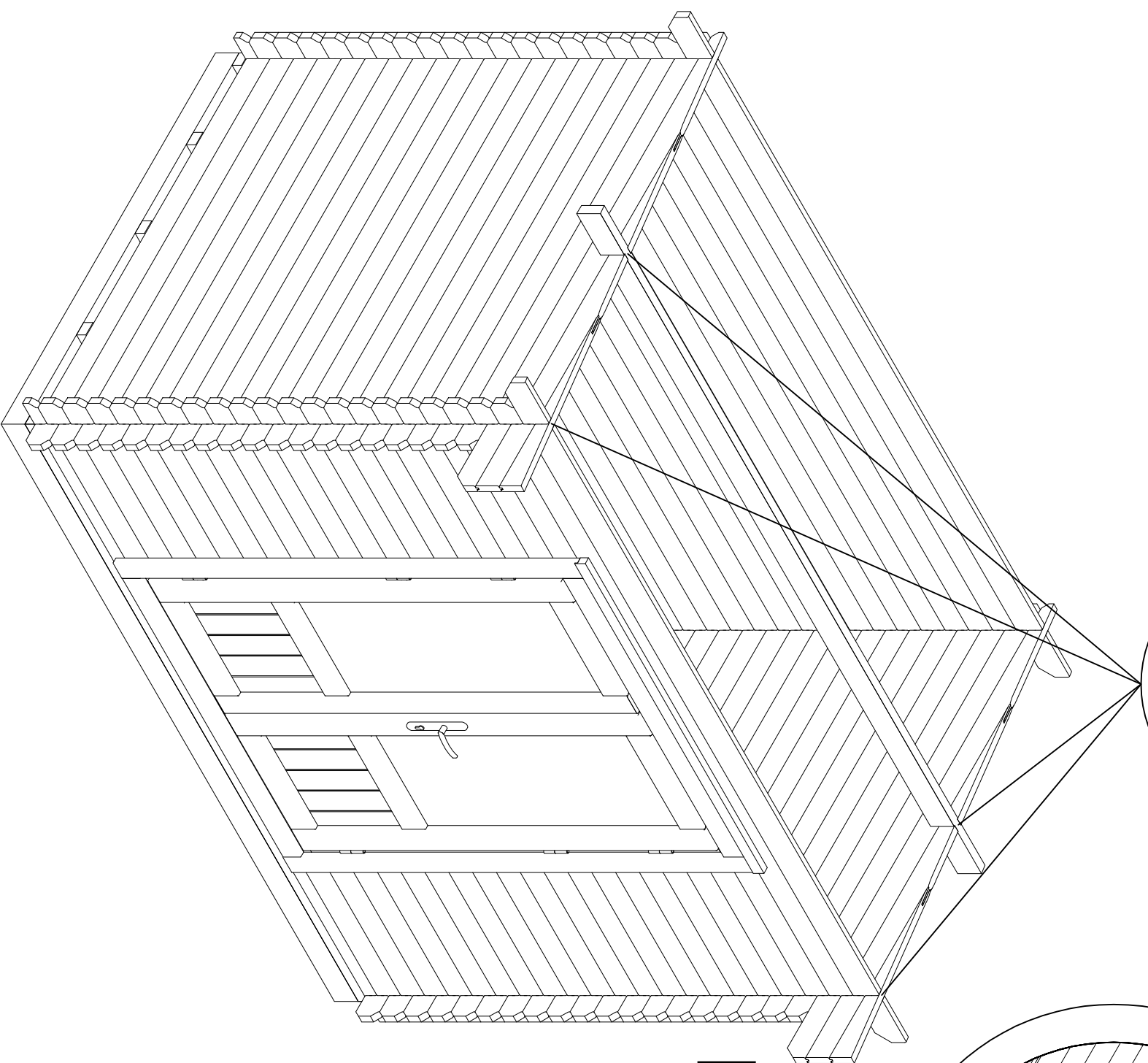




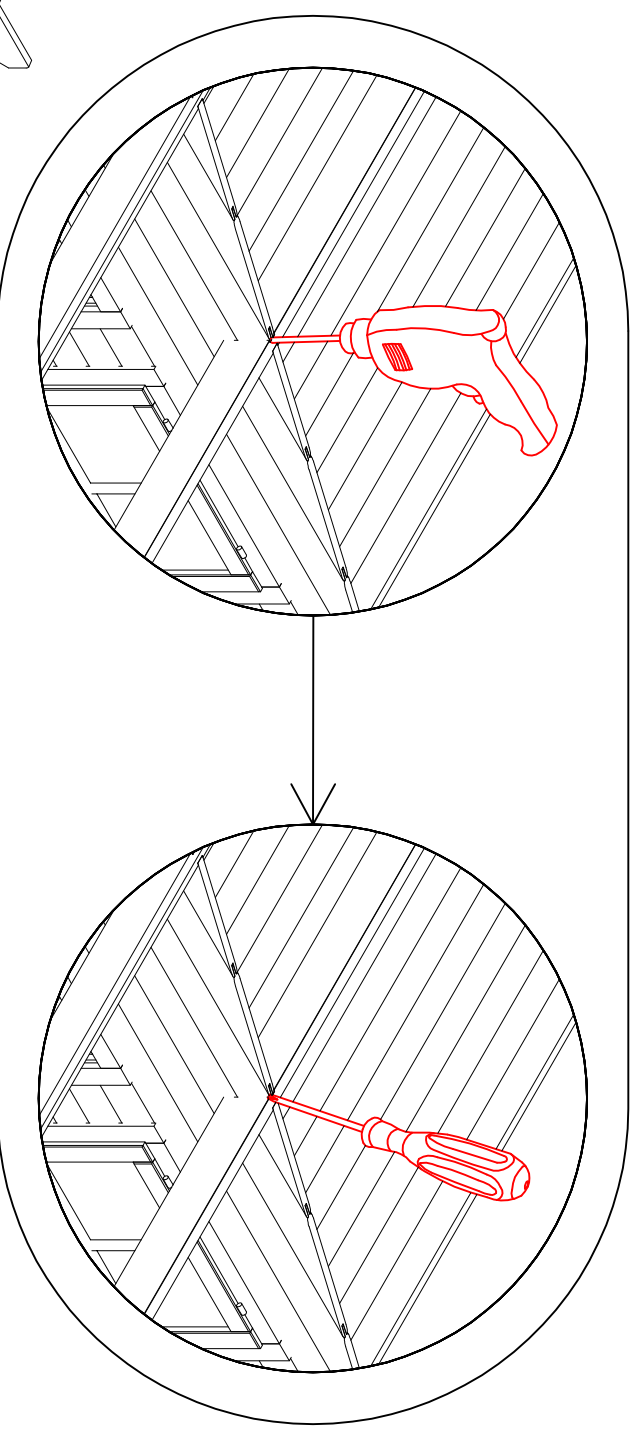
Harwood (2020)		300x200 cm			BE 2020	-Date-
		28 mm 2020.03.05				
Degree <84°		Dimensions, mm			Pos.	Quantity
		A	B	C		
		3200	28	110	9	2
		3000	28	100	8	19
		2200	294		G2,4	2



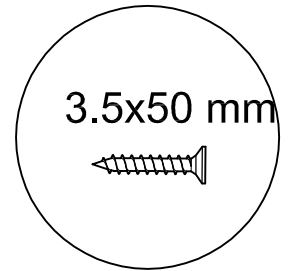
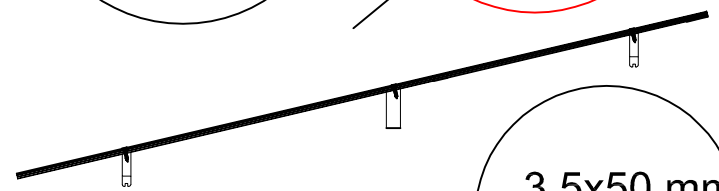
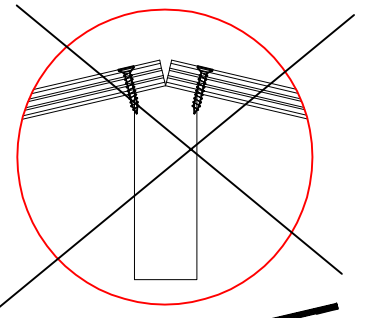
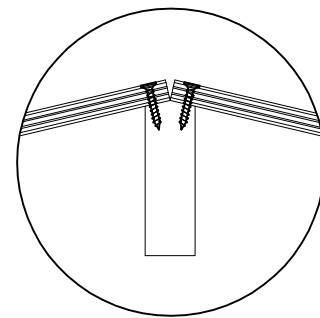
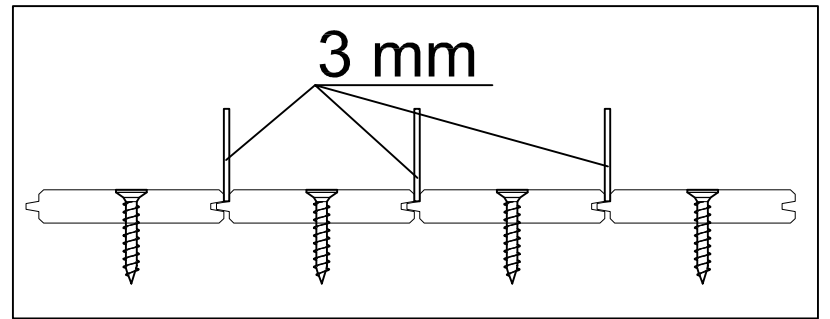
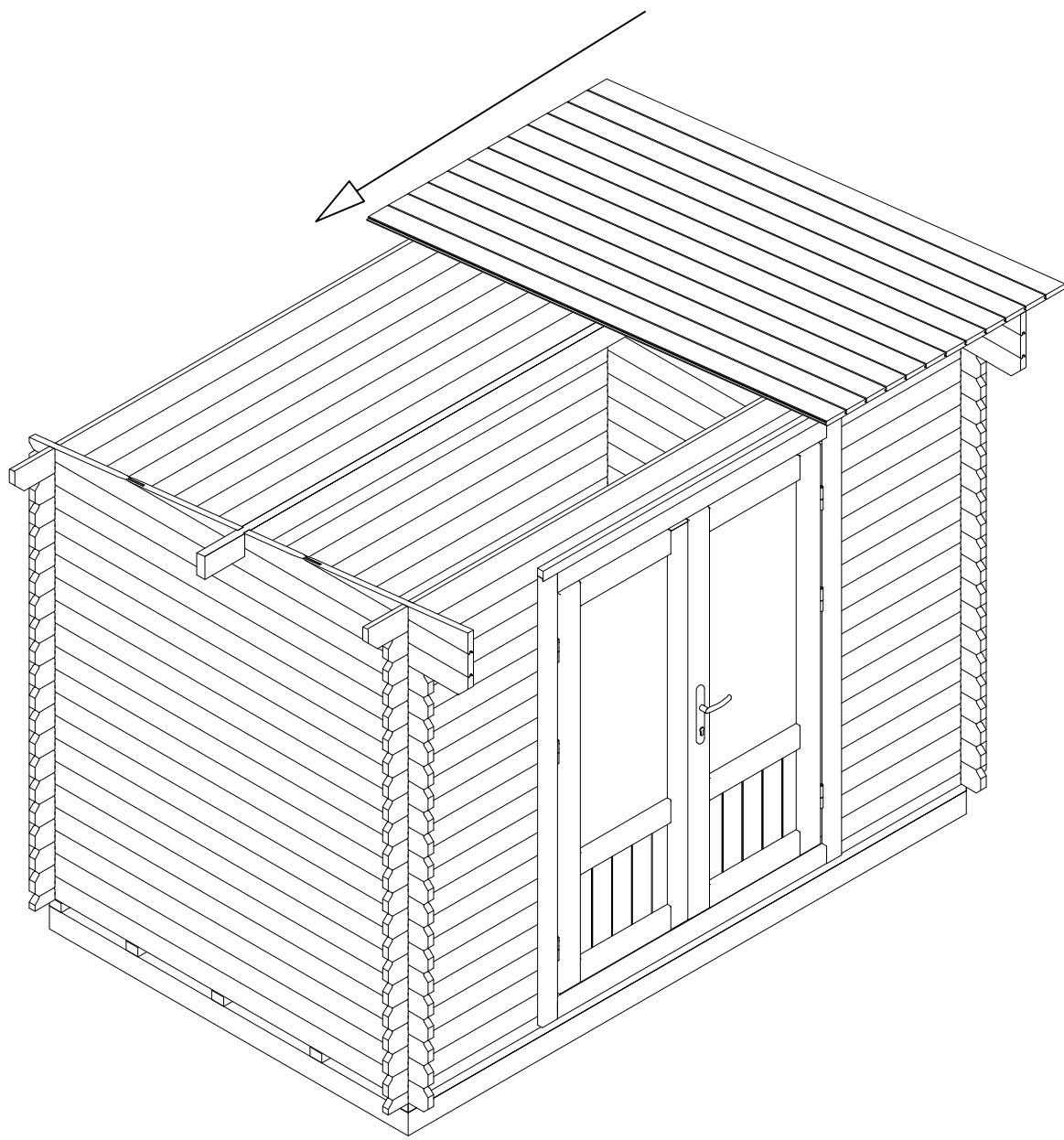
Harwood (2020)		300x200 cm			BE 2020	-Date-
		28 mm 2020.03.05				
Degree <math><84^\circ</math>		Dimensions, mm			Pos.	Quantity
		A	B	C		
		3200	40	100	11	1

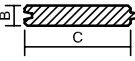
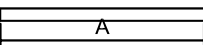


6x150 mm
x4

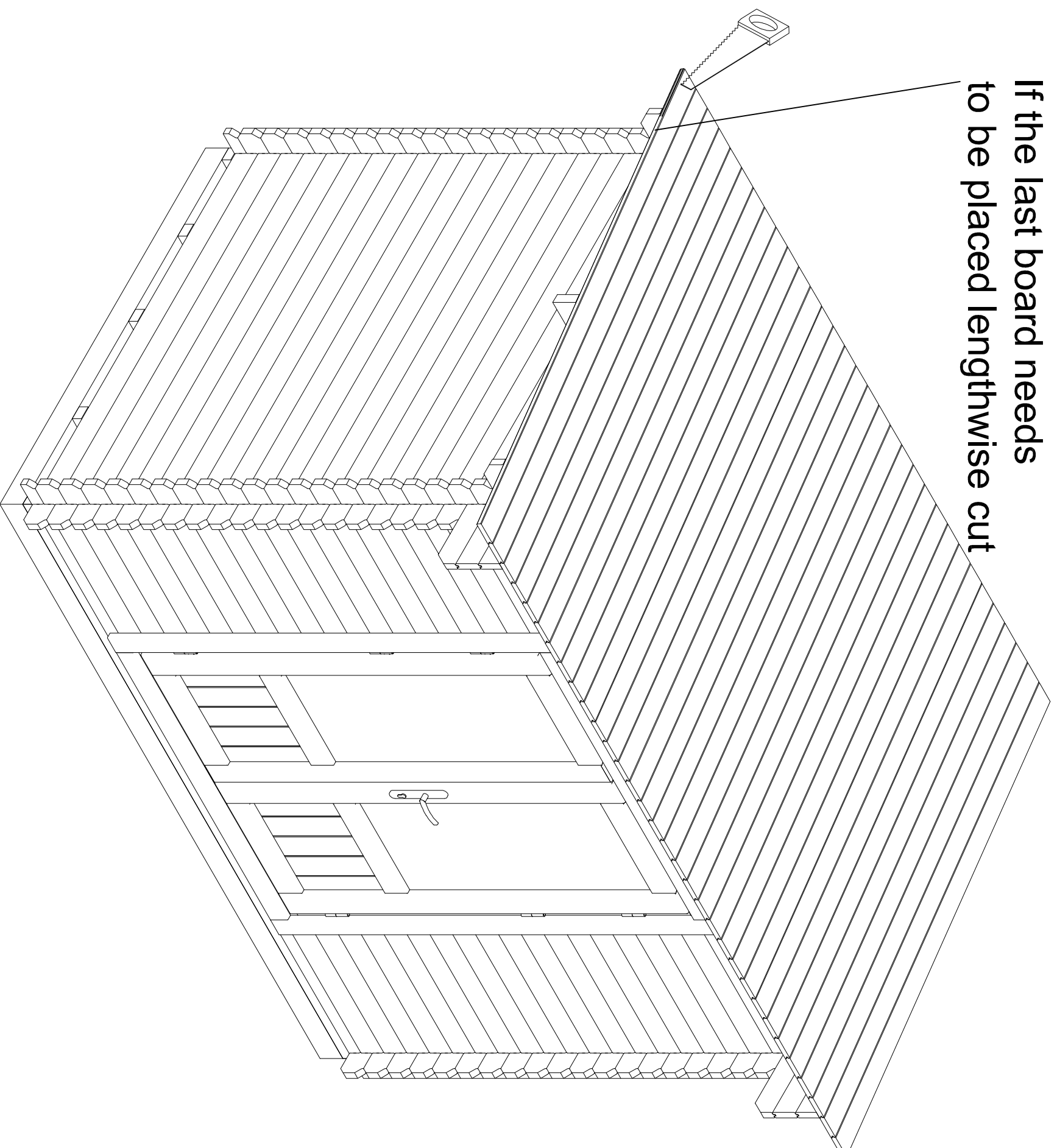


Harwood 3000x2000 (2020) 28mm

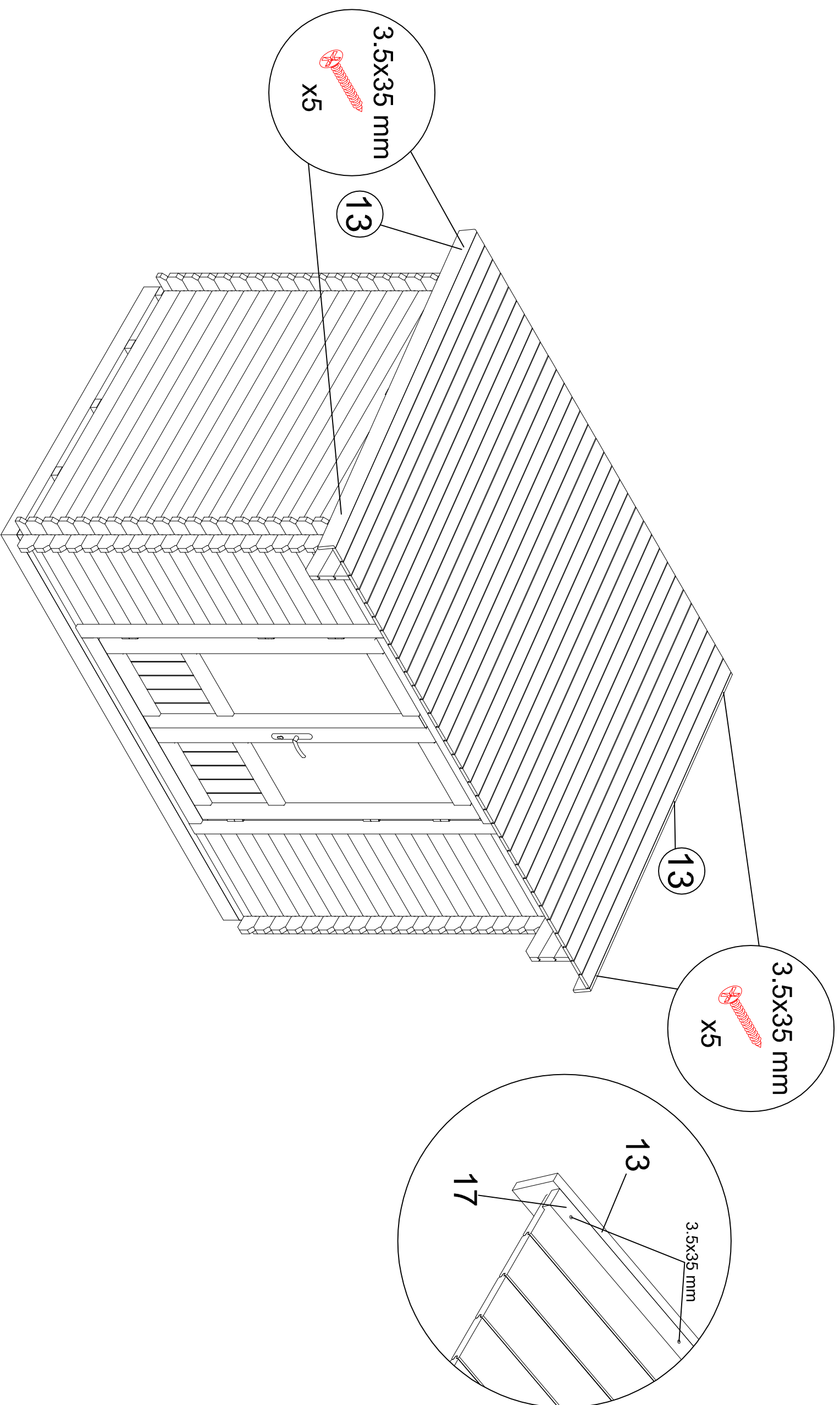


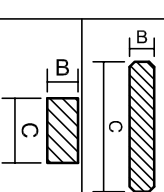
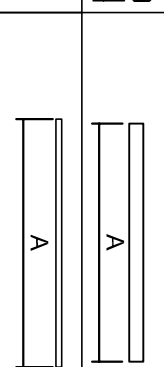
Harwood (2020)		300x200 cm			BE 2020	-Date-
		28 mm 2020.03.05				
Degree <84°		Dimensions, mm			Pos.	Quantity
		A	B	C		
		2313	19	100/86	12	32/38

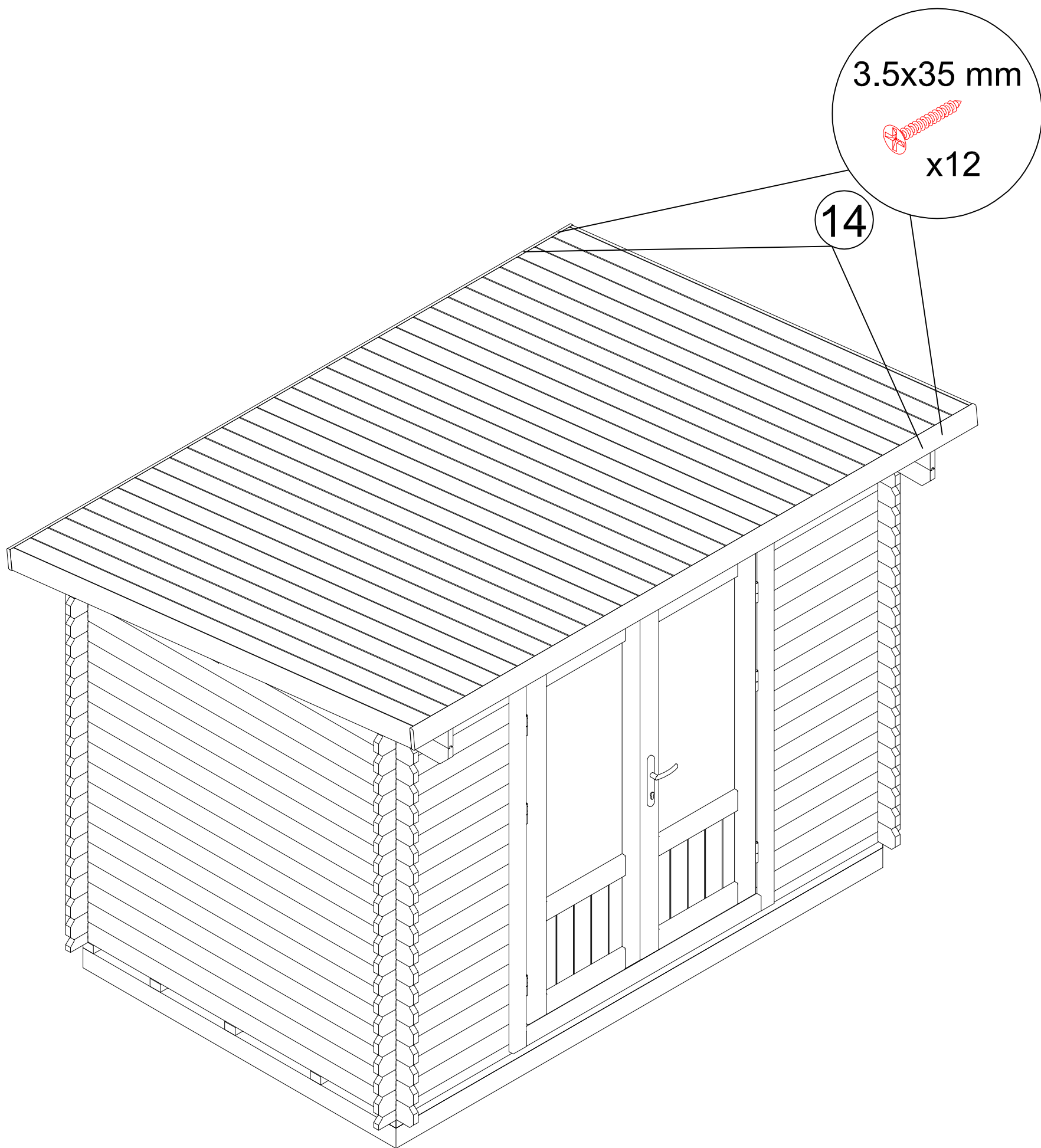
If the last board needs
to be placed lengthwise cut

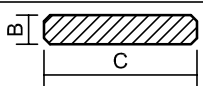
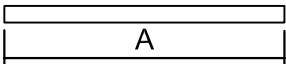


Harwood 3000x2000 (2020) 28mm

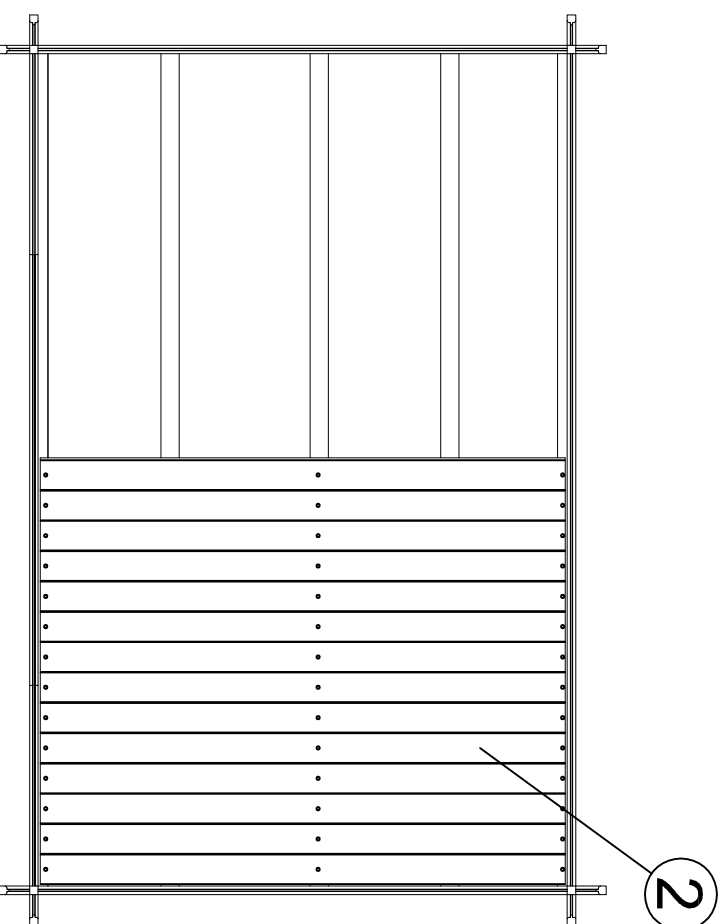


Harwood (2020)		300x200 cm			BE 2020	-Date-
		28 mm 2020.03.05				
 Degree <math><84^\circ</math>	Dimensions, mm			Pos.	Quantity	
	A	B	C			
	2313	19	90			13
 	2313	19	40	17	2	



Harwood (2020)		300x200 cm			BE 2020	-Date-
		28 mm 2020.03.05				
Degree <84°		Dimensions, mm			Pos.	Quantity
		A	B	C		
		3240	19	90	14	2

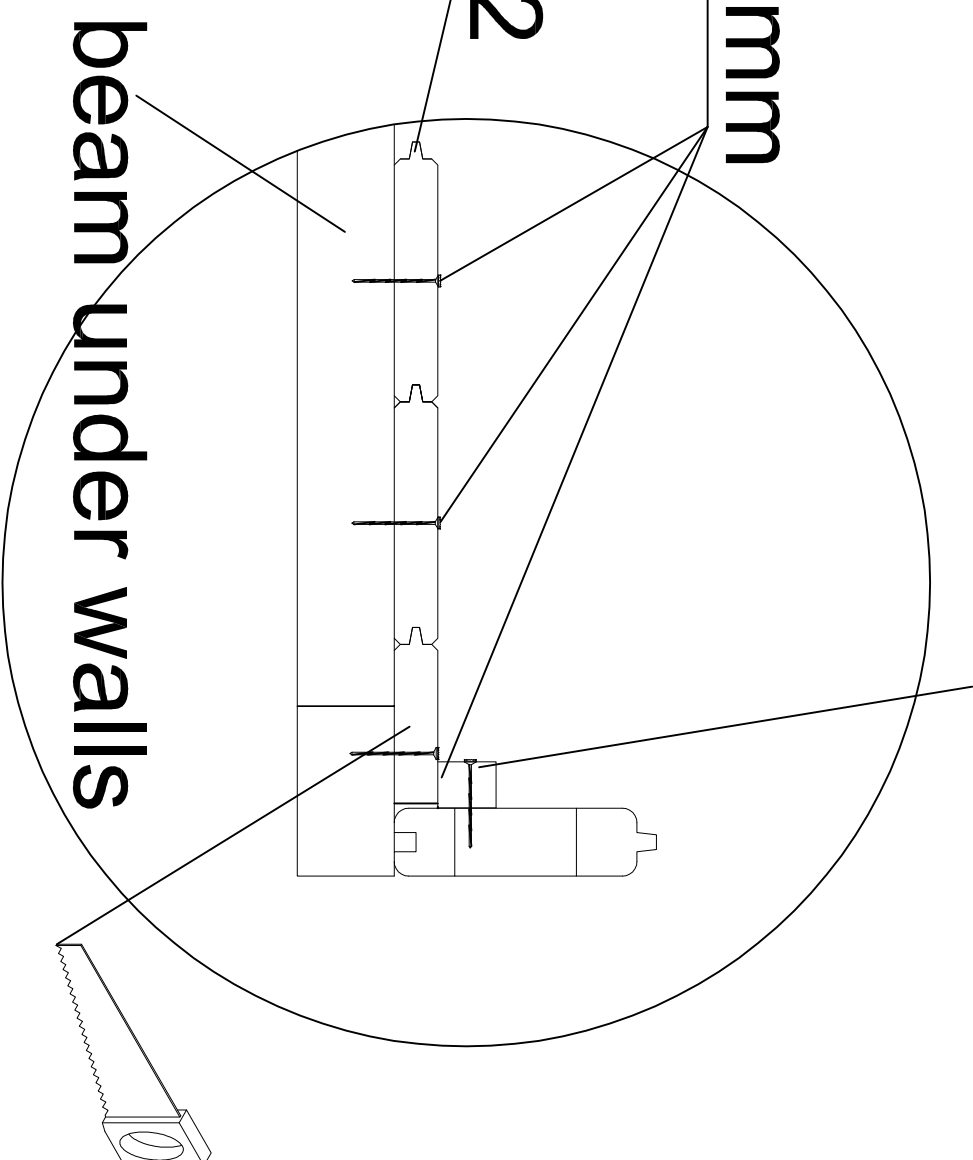
Floor



2.5x50 mm

pos 2

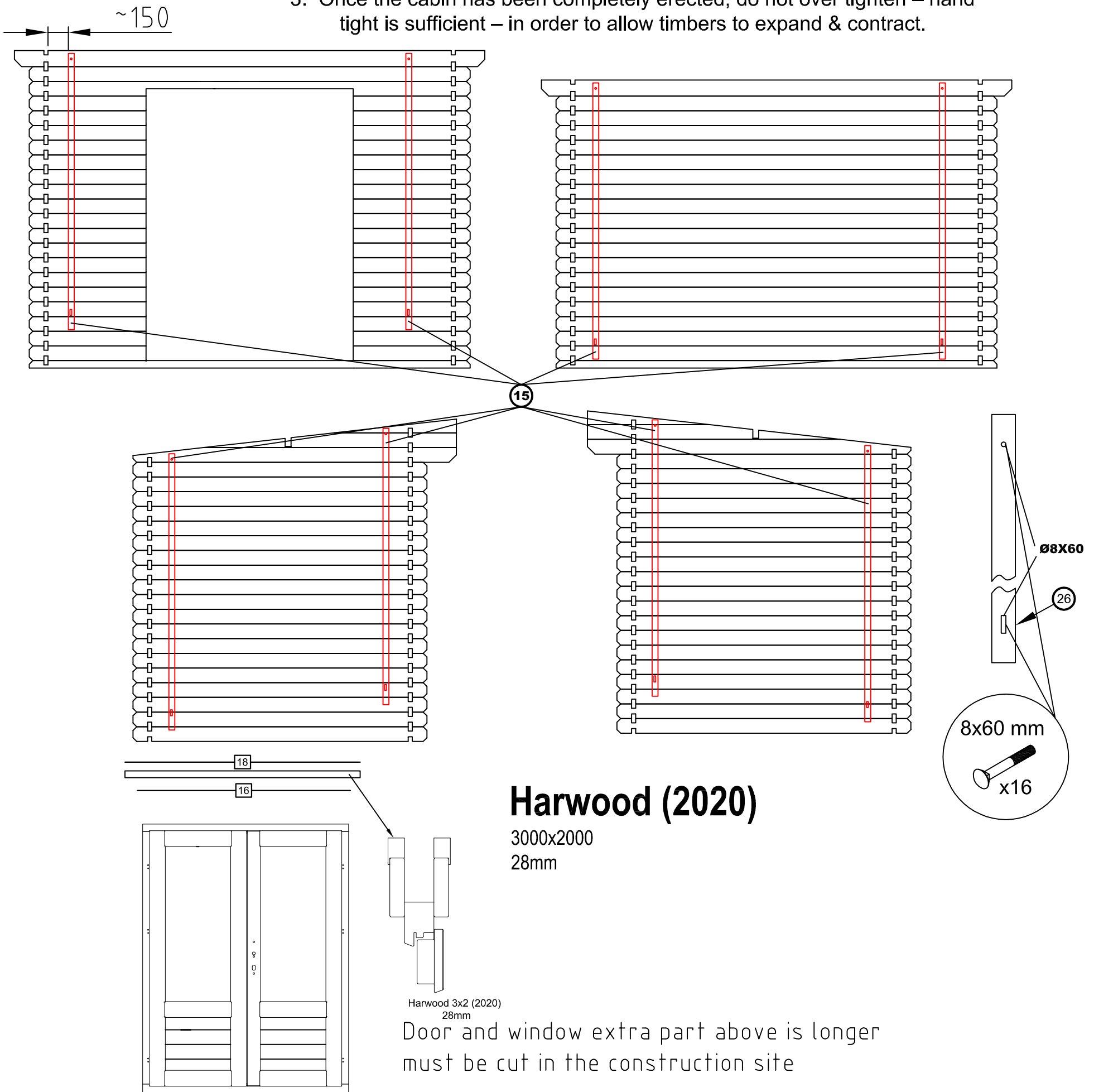
pos 3

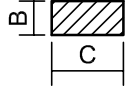
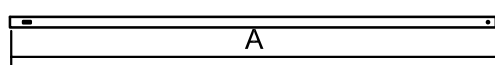
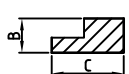
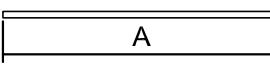


If the last board needs
to be placed lengthwise cut

Harwood (2020)	300x200 cm	BE 2020	Date-			
	28 mm 2020.03.05					
Degree <84°	Dimensions, mm	A	B	C	Pos.	Quantity
		1734	19	100/86	2	
		19	24	3		
						~9 b.m.

1. Expansion braces should be fitted internally for ease of adjustment
2. The bolt head should be external, the nut internal
3. Once the cabin has been completely erected, do not over tighten – hand tight is sufficient – in order to allow timbers to expand & contract.



Harwood (2020)		300x200 cm			BE 2020	-Date-
		28 mm 2020.03.05				
Degree <84°		Dimensions, mm			Pos.	Quantity
		A	B	C		
		ca. 1880	19	40	15	8
		1520	28	45	18	2