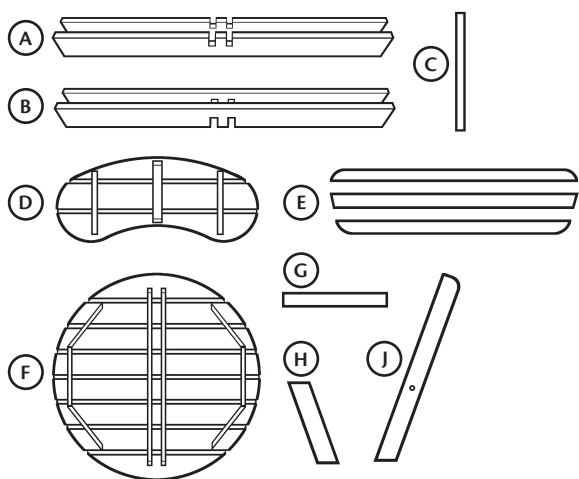


## ASSEMBLY INSTRUCTIONS

### ROUND GARDEN TABLE WITH BACKRESTS



- #### PARTS LIST
- (A) Base Supports [lower] x 2
  - (B) Base Supports [upper] x 2
  - (C) Base Table Supports x 4
  - (D) Bench Seats x 4
  - (E) Seat Backrests [sets] x 4
  - (F) Round Table Top x 1
  - (G) Seat Support Strut x 8
  - (H) Seat Support [front] x 8
  - (J) Seat Support [back] x 8

#### HARDWARE

- u** 5x50 screws x32
- v** 5x70 screws x16
- w** M8 Nut x40
- x** M8 Washer x40
- y** M8x120 x22
- z** M8x120 x18

#### BEFORE YOU START

- Please ensure that you check all the component parts for quantity and quality before you commence building the product.

Report any missing parts immediately. The manufacturer will not accept any responsibility for damaged items once any part of the product has been fitted or altered in any way.

- Timber is a natural material and will react to varying levels of moisture content - ie. will swell or shrink. All of the Timber components are pressure treated green.

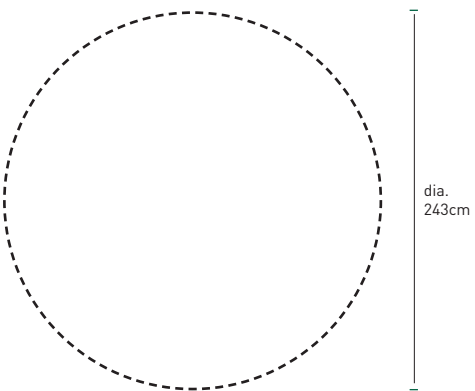
However, should extra protection be required, they should be treated using a wood preservative treatment, following the manufacturers instructions.

#### HEALTH AND SAFETY

**DO** ensure there is adequate working space

In order to reduce the risk of suffocation please keep all plastic bags and small parts away from children.

- When you are ready to start, make sure you have the right tools to hand, plenty of space and a clean, dry area for assembly.



AREA REQUIRED FOR ASSEMBLED STRUCTURE

# Grange

DEFINING GARDENS

## ROUND GARDEN TABLE WITH BACKRESTS

RGTBR - 71.2cm [H - table] / 44cm [H - bench] x 243cm [dia.]

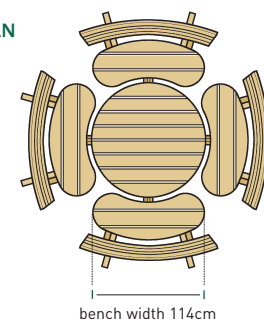
Self-Assembly required Home Delivery available



#### PLAN

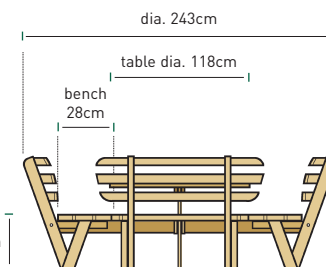


CODE: RGTBR



bench width 114cm

bench height 44cm



dia. 243cm

table dia. 118cm

bench 28cm

table height 71.2cm

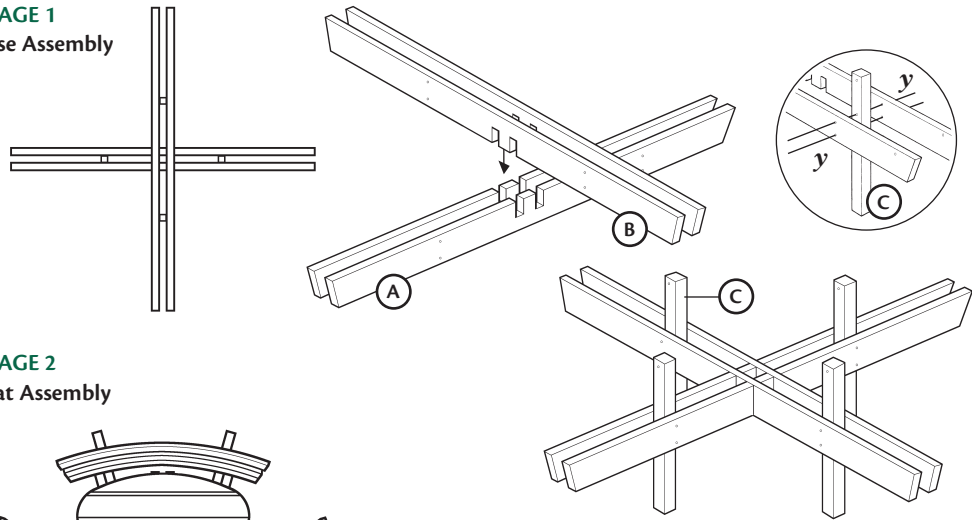
©2018 Grange Fencing Ltd All rights reserved. In line with the Company's policy of continuous product development, the right is reserved to change and improve product design without prior notice.

All products and related emblems featured are trademarks of Grange Fencing Ltd.

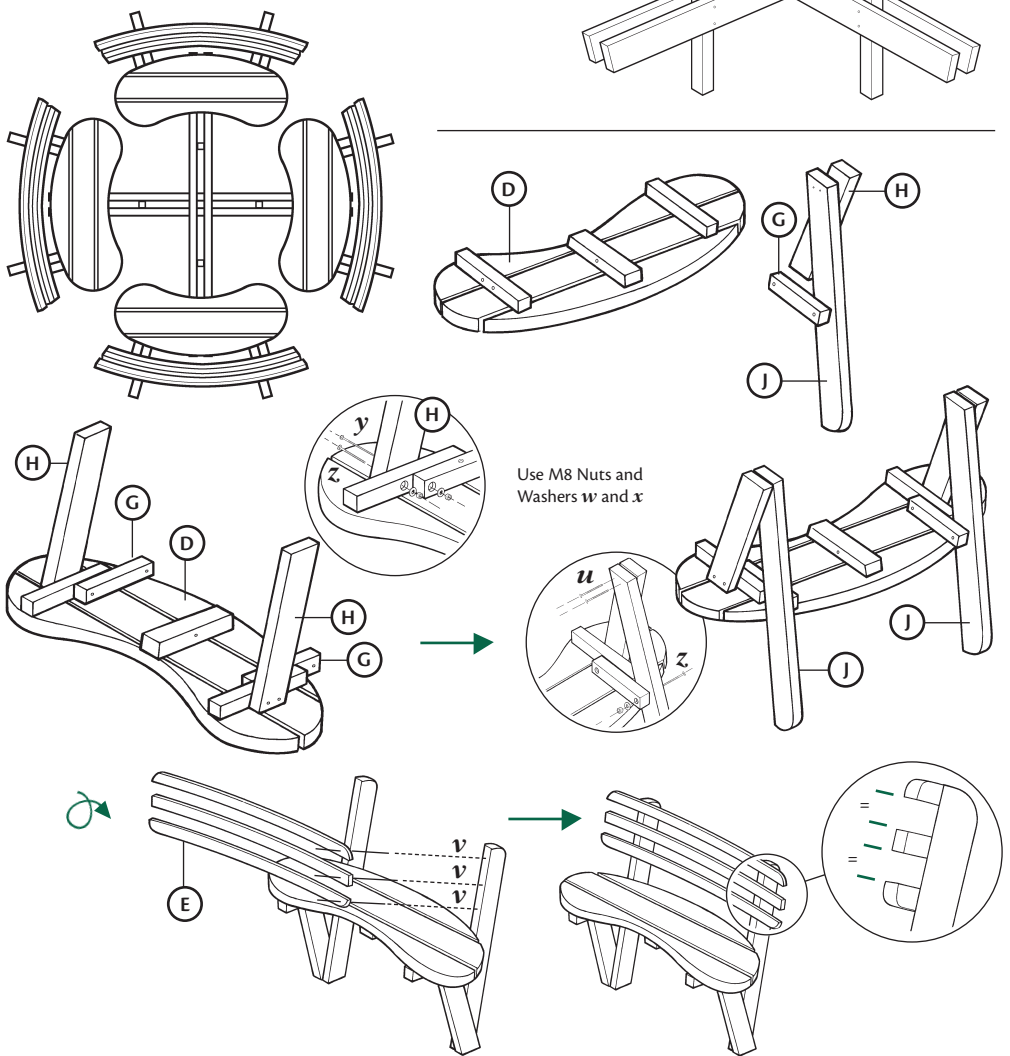
[www.grangefencing.co.uk](http://www.grangefencing.co.uk)



**STAGE 1**  
Base Assembly



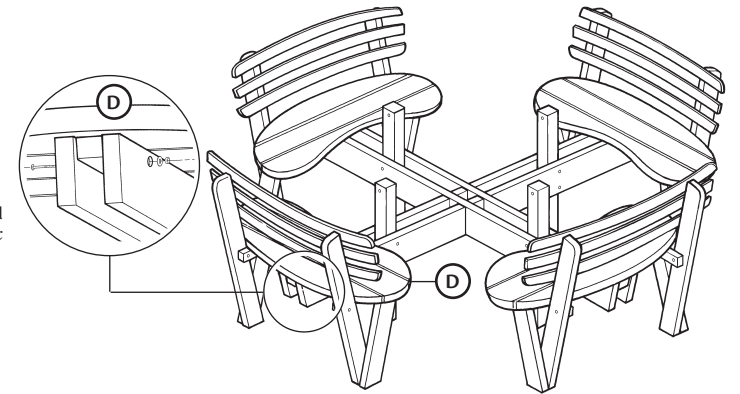
**STAGE 2**  
Seat Assembly



**Fixing Seats to Base**

Use M8 Bolt *y*

Use M8 Nuts and Washers *w* and *x*



**STAGE 3**  
Table Assembly

