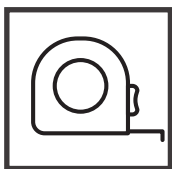


MODULAR PERGOLA

PANEL PACK INSTRUCTIONS

We recommend using the following tools (not supplied):



Tape
Measure



Pozidrive
Screwdriver



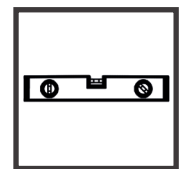
Drill & 2mm
Drill Bit



Hammer



Ladder



Spirit Level

It is vital that your pergola is on a **level ground** in your desired location.

FIXING PACK CONTAINS:



4 x 60mm Screws
QTY: 13



4 x 40mm Screws
QTY: 4

PLEASE KEEP PLASTIC BAGS AND SMALL PARTS AWAY FROM CHILDREN



IMPORTANT
Assembly requires 2+
adults.



REMINDER
Always pre-drill before
screwing.

THE ROOF OF THIS BUILDING IS NOT A LOAD BEARING STRUCTURE

Missing something or need more information?
Call our aftersales team on
0333 777 7089

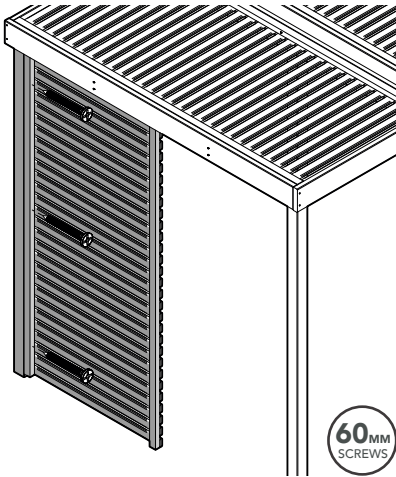
Visit our website for spare instructions and
more information
www.forestgarden.co.uk

CONTINUATION..



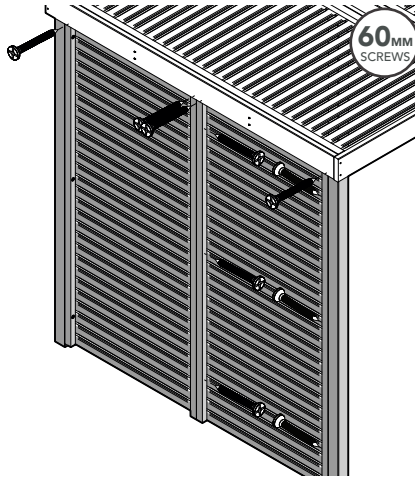
Please make sure you have **purchased and assembled the modular pergola base kit first**. Ensure there is enough working space when attaching your panels.

1 2 x PANELS



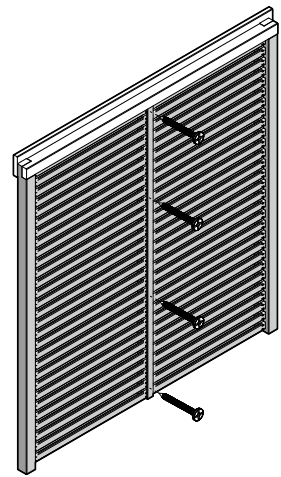
Ensure the panel is in contact with the 70x70mm frame & screw to post.

60MM
SCREWS



Repeat for other panel & screw panels together. Screw through the fascia into the panel for extra rigidity.

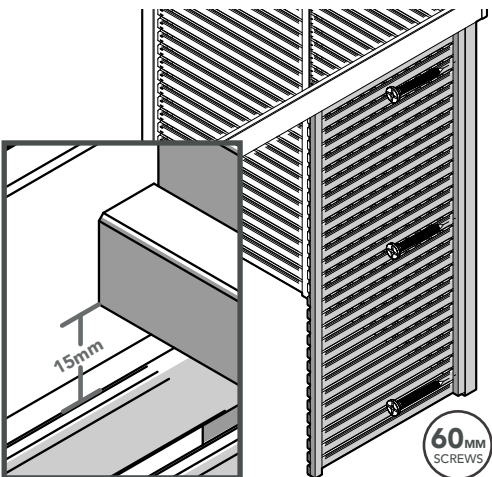
60MM
SCREWS



Screw the cover strip in between the 2 meeting internal panel faces.

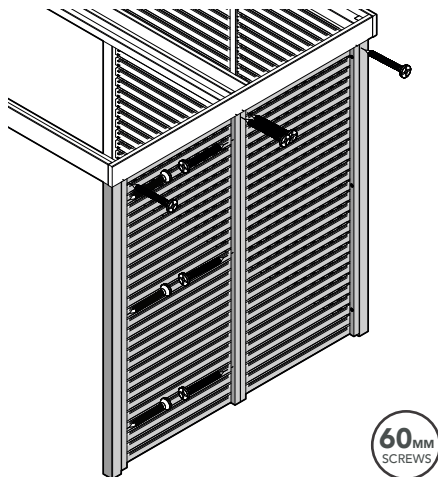
40MM
SCREWS

2 4 x PANELS



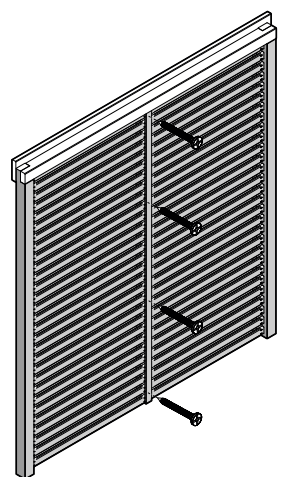
Screw 3rd panel to the post. Ensure panel is 15mm down from the central beams / at the same height as the other 2 panels.

60MM
SCREWS



Repeat for other panel & screw panels together. Screw through the fascia into the panel for extra rigidity.

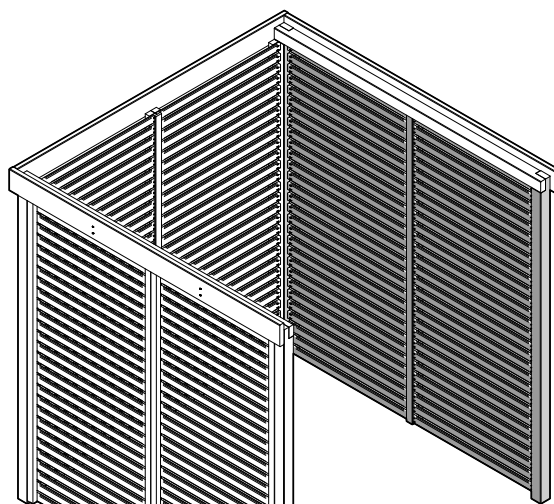
60MM
SCREWS



Screw the cover strip in between the 2 meeting internal panel faces.

40MM
SCREWS

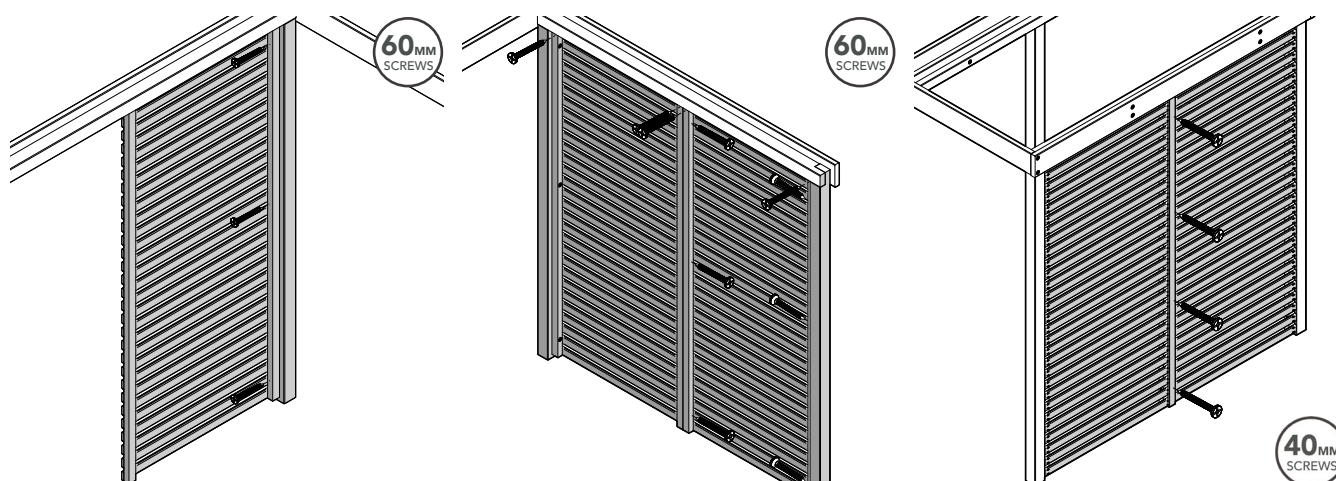
3 6 x PANELS



Repeat the same process as shown in step 1 (with 2 x panels).

DID YOU KNOW?

You can have your panels facing outwards rather than inwards. Just follow the same steps but with the panels facing the opposite way round. Guidance is shown below.



PLEASE NOTE - The cover strip will have to be cut down to 1890mm if the panels are facing outwards to reduce any overhang of the cover strip. Once cut, you cannot change the panels to face inwards.

CHECK YOU HAVE ALL YOUR PARTS.

(The parts do not have codes on them. They are listed below should you need to order one.)

The components provided may be heavy. Please lift with caution and with a minimum of 2 people.

Modular Pergola Panel Pack (MODPERGPPK)		
Part Code	Description	No.
885MPSLAT	885 x 45 x 1910mm Slatted Panel	2
44121910PTR	44 x 12 x 1910mm Cover Strip	1



TREATED TIMBER CONTAINING A BIOCIDAL PRODUCT CONTROL OF WOOD DESTROYING ORGANISMS

Active Ingredients - Propiconazole, Tebuconazole, IPBC, Permethrine, Benzyl-C12-16-Alkyldimethyl Chlorides. (Dip Treated)
Basic Copper Carbonate, DDA Carbonate, DDA Chloride. (Pressure Treated)

Wear gloves when handling. Avoid inhalation of sawdust. Do not use in contact with drinking water or food. Do not use for animal bedding or in fish ponds. Dispose of treated wood responsibly.